

Audio Unit Removal/Installation

SRS components are located in this area. [Review the SRS component location.](#)

Also [review the precautions and procedures](#) in the SRS section before doing repairs or service.

NOTE:

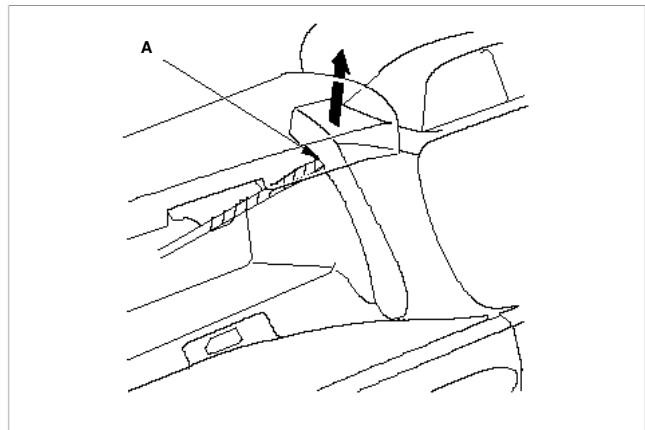
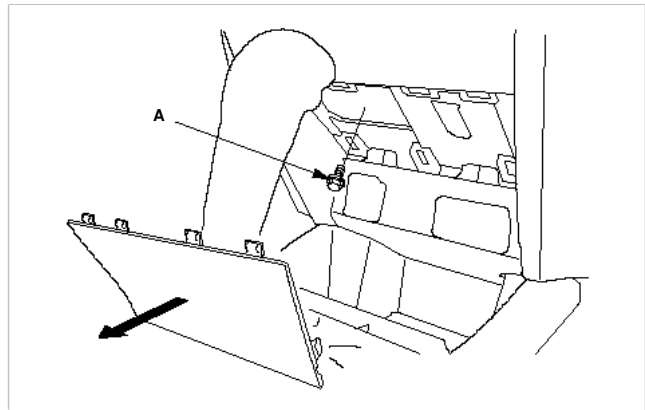
- Put on gloves to protect your hands.
- Take care not to scratch the dashboard and related parts.
- Lay a workshop towel under the parts when working on them to protect the face panel from scratches or other damage.
- Do not work in a dusty or dirty place.
- Discharge static electricity from your body before and during the work.
- Do not touch the circuit board(s) with your bare hands.
- Do not work with dirty hands.
- Be careful not to fold the flat plate cable.
- Eject the CD before remove the audio unit to prevent damaging the CD player's load mechanism.
- If you are replacing the audio unit, write down the audio presets (if possible), and enter them into the new audio unit.

1. If equipped with the anti-theft codes, make sure you have anti-theft codes for the audio system.

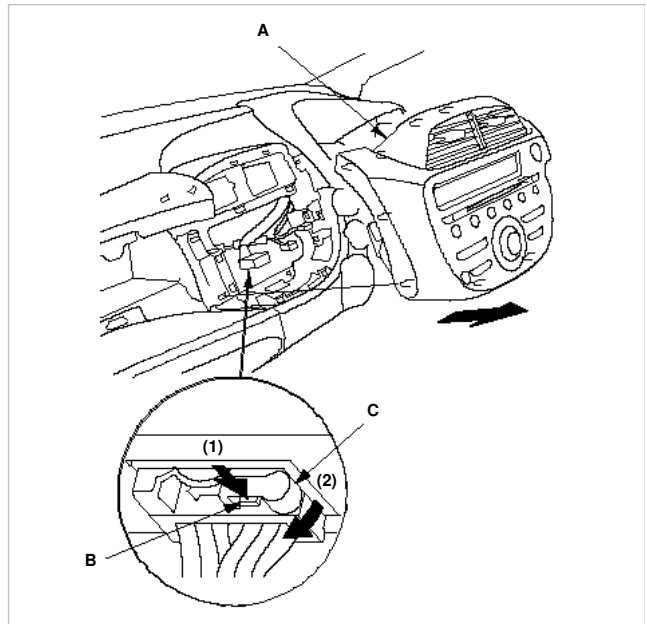
2. [Remove the center lower cover.](#)

3. Under the audio unit, remove the bolt (A).

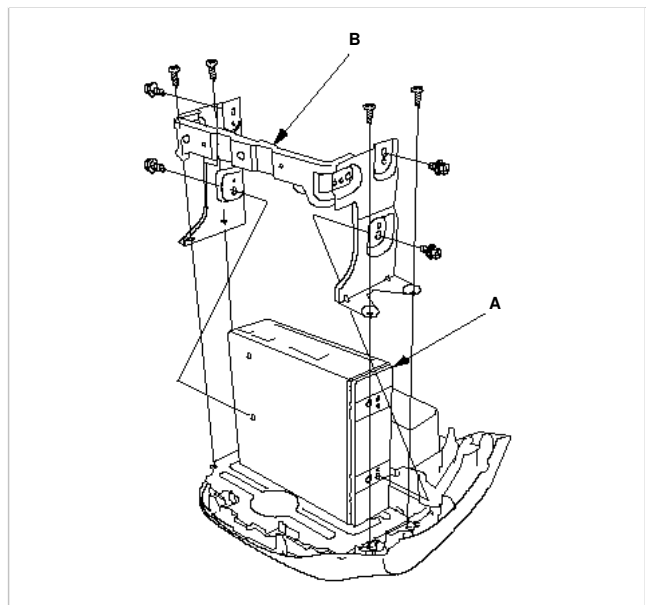
4. Open the dashboard upper tray lid. Insert a flat-tip screwdriver in the groove (A), then pull the screwdriver shaft up slightly.



5. Pull the center panel (A) out and disconnect the connectors, then remove the center panel.
NOTE: When you disconnect audio unit connector A, while pushing the tab (B), pull the lever (C) up and disconnect the connector.
6. With USB adapter, [remove the USB adapter unit.](#)



7. Remove the mounting screws and bolts from the audio unit (A), then remove the bracket (B).



8. Remove the screws and the audio unit (A) from the center panel (B).
9. Install the audio unit in the reverse order of removal, and note these items:
 - Make sure all connectors are secure.
 - If needed, enter the anti-theft codes for the audio system.
 - Set the clock.

