

TABLE OF CONTENTS

MAINTENANCE SERVICE RECORD	1
WARRANTY POLICY	2
BEFORE DRIVING	3
STEERING COLUMN CONTROLS	4
INSTRUMENT PANEL	5
OTHER CONTROLS AND EQUIPMENT	6
OPERATING YOUR VEHICLE	7
DRIVING TIPS AND SAFE DRIVING	8
INSPECTION AND MAINTENANCE	9
EMERGENCY SERVICE	10
BODY WORK CARE	11
GENERAL INFORMATION	12
SPECIFICATIONS	13
SERVICE NETWORK	14

FOREWORD

This manual is an essential part of your vehicle and should be kept with the vehicle at all times. Please read this manual carefully and review it from time to time. It contains important information on safety, operation, and maintenance. It is especially important that this manual remain with the vehicle at the time of resale. The next owner will need this information also.

You are invited to avail the three free inspection services as described in this manual. Three free inspection coupons are attached to this manual. Please show this manual to your dealer when you take your vehicle for any Service.

To prolong the life of your vehicle and reduce maintenance costs, the periodic maintenance must be carried out according to the "PERIODIC MAINTENANCE SCHEDULE" described in "INSPECTION AND MAINTENANCE" section of this manual. Periodic maintenance is essential for preventing trouble and accidents to ensure your satisfaction and safety.

Daily Inspection and Care as per "DAILY INSPECTION CHECKLIST" described in the "INSPECTION AND MAINTENANCE" section of this Manual is essential for prolonging the operating life of the vehicle and for safe driving.

MARUTI UDYOG LIMITED believes in conservation and protection of Earth's natural resources.

To that end, we encourage every vehicle owner to recycle, trade in, or properly dispose of, as appropriate, used motor oil, coolant, and other fluids; batteries; and tyres.

MARUTI UDYOG LIMITED

All information in this manual is based on the latest product information available at the time of publication. Due to improvements or other changes, there may be discrepancies between information in this manual and your vehicle. Maruti reserves the right to make changes at any time without notice.

This vehicle may not comply with standards or regulations of other countries. Before attempting to register this vehicle in any other country, check all applicable regulations and make any necessary modifications.

IMPORTANT

WARNING/CAUTION/NOTE

Please read this manual and follow its instructions carefully. To emphasise special information, the words WARNING, CAUTION, and NOTE have special meanings. Information following these signal words should be carefully reviewed.

▲ WARNING

The personal safety of the driver, passengers, or bystanders may be involved. Disregarding this information could result in their injury or death.

▲ CAUTION

These instructions point out special service procedures or precautions that must be followed to avoid damaging the vehicle.

NOTE:

This provides special information to make maintenance easier or important instructions clearer.

MODIFICATION WARNING INFORMATION ON EMISSION

▲ WARNING

Do not modify this vehicle. Modification could adversely affect safety, handling, performance, or durability and may contravene regulations. In addition, damage or performance problems resulting from modification may not be covered under warranty.

▲ WARNING

Your vehicle has monocoque body construction which provides for certain crumple zones in the body which absorbs larger part of impact energy in the event of a front collision and protects the occupants from impact. Do not use any fitments such as crash guards. These fitments will increase the risk to the occupants because of the shock directly getting transmitted to the occupants.

▲ CAUTION

Maruti recommends that maintenance on your vehicle be performed by Maruti Authorised Dealer/Service Station.

If you take your vehicle for Service or Pollution check-up at workshop other than Maruti Authorised Dealer/Service Station, please make sure that the "Second air hose" (connecting second air valve and air cleaner in models Maruti 800, Zen and Esteem for National Capital Region) and "H.I.C hose" (in models Maruti 800, Zen and Esteem) is plugged before adjustment of CO-HC values (pollution level).

Adjustment of CO-HC values without plugging these hoses can result in wrong air-fuel mixture setting of carburettor and may consequently cause high fuel consumption and permanent damage to the catalytic converter and other vehicle components. Catalytic converter and/or other components damage resulting from the wrong adjustment of air fuel mixture are not the responsibility of MARUTI and may not be covered under warranty.

Copying, quoting or reproduction of any part of this manual is not permitted without explicit approval by MARUTI UDYOG LIMITED.

MAINTENANCE SERVICE RECORD

1

MODEL	CHASSIS NO.	ENGINE NO.	DATE OF DELIVERY	MILEAGE	BATTERY	
					MAKE	SR. NO/BATCH CODE
				km.		

OWNER'S NAME & ADDRESS _____

_____ TEL. NO. _____

ADDRESS/STAMP OF SELLING DEALER	SELLING DEALER CODE
SHOWROOM	
	IMPORTANT INFORMATION TO CUSTOMER
WORKSHOP	<p>Dear Customer</p> <p>For any assistance with regard to our product, please contact General Manager/Works Manager at any of our Dealer or Authorised Service Station. For additional enquiry you may contact our Regional office or Service Department. The Addresses and Phone nos. are given in Section 14 of this Booklet.</p>

WARRANTY POLICY

Maruti Udyog Limited (hereinafter called "Maruti"), warrants that each new Maruti vehicle distributed in India by Maruti and sold by an authorised Maruti dealer will be free, under normal use and service, from any defects in material and workmanship at the time of manufacture SUBJECT TO THE FOLLOWING TERMS AND CONDITIONS:

(1) Qualification:

To qualify for this warranty:

- (a) The Maruti vehicle must be delivered by Maruti authorised dealer and set-up, serviced by Maruti authorised dealer/service station.
- (b) The warranty registration card in respect of each vehicle must be completed by the dealer at the time of delivery of the vehicle and dealer should retain the same.

(2) Term:

The term of the warranty shall be twelve (12) months from the date of delivery to the first owner, for unlimited mileage.

(3) Maruti's Warranty Obligation:

If any defect(s) should be found in a Maruti vehicle within the term stipulated above, Maruti's only obligation is to repair or replace at its sole discretion any part shown to be defective, with a new part or the equivalent at no cost to the owner for parts or labour, when Maruti acknowledges that such a defect is attributable to faulty material or workmanship at the time of manufacture. The owner is responsible for any repair or replacements which are not covered by this warranty.

(4) Limitation:

This warranty shall not apply to:

- (a) normal maintenance service required other than the three free services, including without limitation, oil and fluid changes, headlight aiming, fastener retightening, wheel balancing, wheel alignment and tyre rotation, cleaning of injectors, adjustments of carburettor, ignition timing, clutch and valve clearance.
- (b) the replacement of normal wear parts including without limitation, bulbs, battery, tyres and tubes, spark plugs, brake linings, belts, hoses, filters, wiper blades and brushes.
- (c) any vehicle which has been used for competition or racing.
- (d) any repairs or replacement required as a result of accidents or collision.
- (e) any defects caused by misuse, negligence, abnormal use or insufficient care.
- (f) any vehicle which has been modified or altered, including without limitation, the installation of performance accessories.
- (g) any vehicle on which parts or accessories not approved by Maruti have been used.
- (h) any vehicle which has not been operated in accordance with the operating instructions in the Maruti Owner's Manual.
- (i) any vehicle which has not received, during the warranty term, the service inspections prescribed in the Maruti Owner's Manual.
- (j) any vehicle which has been assembled, disassembled, adjusted or repaired by other than an Maruti authorised dealer/service station.

- (k) any vehicle which has been used for purposes other than what it was designed for.
- (l) any damage or deterioration caused by industrial pollution and bird droppings.
- (m) insignificant defects which do not affect the function of the vehicle including without limitation, sound, vibration and fluid seep.
- (n) any natural wear and tear including without limitation, aging etc.

For Maruti Air-Conditioned Vehicles

- (o) V-belts, hoses and gas leaks.

(5) Extent of Warranty:

This warranty is the entire written warranty given by Maruti for Maruti vehicles and no dealer or its or his agent or employee is authorised to extend or enlarge this warranty and no dealer or its or his agent or employee is authorised to make any oral warranty on Maruti's behalf.

Maruti reserves the right to add any improvements or change the design of any model at any time with no obligation to make the same changes on units previously sold.

(6) Warranty Service:

To obtain warranty service, the complete vehicle must be presented at the owner's expenses to any authorised Maruti dealer.

(7) Owner's Warranty Responsibilities:

It is responsibility of each owner to:

- (a) make certain that the warranty registration/PDI card was completed at the time of delivery of the vehicle;
- (b) have performed, at his own expenses, by an Maruti authorised dealer/service station all the service inspections specified in the Maruti "Owner's Manual and Service Booklet" and maintain adequate proof that such service inspections have been performed.
- (c) make certain that the Maruti authorised dealer/service station performing the service inspection has certified the work on the "Maintenance Service Record" page in the "Owner's Manual and Service Booklet" and
- (d) present the Maruti "Owner's Manual and Service Booklet" to the authorised Maruti dealer whenever requesting service inspections or warranty service.

If the "Owner's Manual and Service Booklet" should be lost or destroyed the owner should consult the authorised Maruti dealer from whom the vehicle was purchased for instructions concerning replacement of the "Owner's Manual and Service Booklet".

(8) Disclaimer of Consequential Damage:

Maruti assumes no responsibility for loss of vehicle, loss of time,, inconvenience or any other indirect incidental or consequential damage resulting from the vehicle not being available to the owner because of any defect covered by this warranty.

(9) Change of Owner

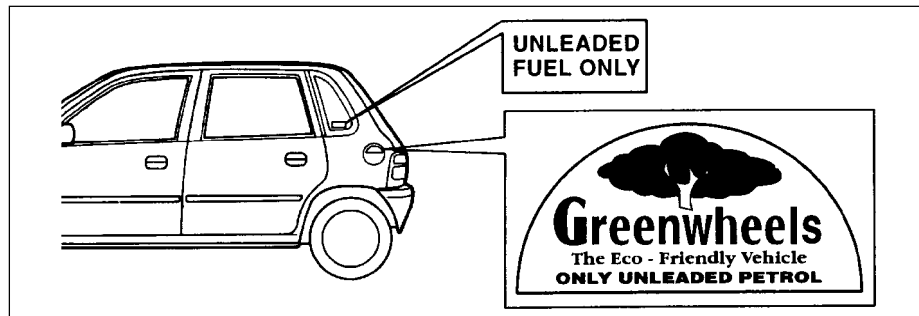
Even if ownership of the vehicle changes, the remaining warranty period is effective for the new owner.

BEFORE DRIVING

- Fuel Recommendation 3-1
- Keys 3-2
- Door Locks 3-3
- Windows 3-5
- Mirrors 3-7
- Front Seat Adjustment 3-8
- Adjustable Head Restraints (if equipped) 3-9
- Seat Belts 3-9



FUEL RECOMMENDATION



72F-03-001E

If your vehicle is not fitted with a restrictor in the fuel filler pipe then you may use leaded or unleaded petrol with an octane number (RON) of 85 or higher. Note, it is preferable to use unleaded petrol.

If your vehicle is fitted with a restrictor in the fuel filler pipe (which indicates that your vehicle is equipped with catalytic converter) then you **must use unleaded petrol** with an octane number (RON) of 87 or higher. These vehicles are also identified by a label attached on rear quarter glass and near the fuel filler pipe that states: "UNLEADED FUEL ONLY" and "ONLY UNLEADED PETROL".

▲ CAUTION

Use of leaded fuel in vehicle equipped with catalytic converter is prohibited, because lead deactivates the pollutant reducing components of catalytic converter and may result in permanent damage to catalytic converter.

Petrol/Ethanol Blends

Blends of unleaded petrol and ethanol (grain alcohol), also known as gasohol, are commercially available in some areas. Blends of this type may be used in your vehicle if they are no more than 10% ethanol. Make sure this petrol-ethanol blend has octane ratings no lower than those recommended for petrol.

Petrol/Methanol Blends

Blends of unleaded petrol and methanol (wood alcohol) are also commercially available in some areas. **DO NOT USE** fuels containing more than 5% methanol under any circumstances. Fuel system damage or vehicle performance problems resulting from the use of such fuels are not the responsibility of MARUTI and may not be covered under Warranty.

Fuels containing 5% or less methanol may be suitable for use in your vehicle if they contain cosolvents and corrosion inhibitors.

NOTE:

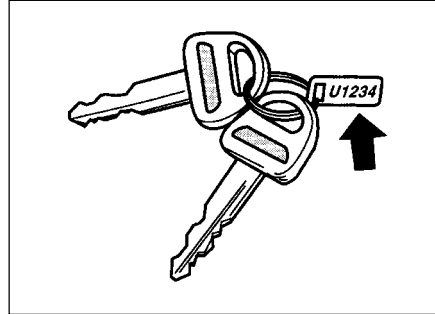
If you are not satisfied with the driveability or fuel economy of your vehicle when you are using a petrol/alcohol blend, you should switch back to unleaded petrol containing no alcohol.

▲ CAUTION

Be careful not to spill fuel containing alcohol while refuelling. Fuels containing alcohol can cause paint damage, which is not covered under Warranty.

▲ CAUTION

The fuel tank has an air space to allow for fuel expansion in hot weather. If you continue to add fuel after the filler nozzle has automatically shut off or an initial blowback occurs, the air chamber will become full. Exposure to heat when fully fuelled in this manner will result in leakage due to fuel expansion. To prevent such fuel leakage, stop filling after the filler nozzle has automatically shut off, or when using an alternative non automatic system, initial vent blowback occurs.

KEYS

70F-01-003

Your vehicle comes with a pair of identical keys. Keep the spare key in a safe place. One key can open all of the locks on the vehicle.

The key identification number is stamped on a metal tag provided with the keys. Keep the tag in a safe place. If you lose your keys, you will need this number to have new keys made. Write the number down and keep it in a safe accessible place away from the vehicle.

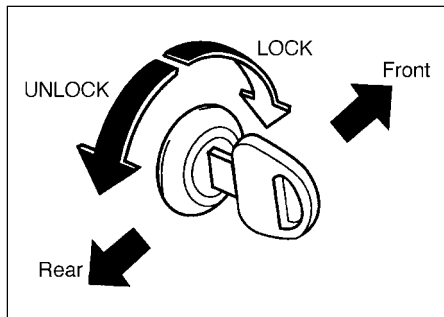
▲ WARNING

- Do not use locally made key.
- Should you require a duplicate key, place your order with a MARUTI dealer only.

Note:

Keep the spare key very carefully. When it is lost, consult your dealer by quoting key number.

DOOR LOCKS



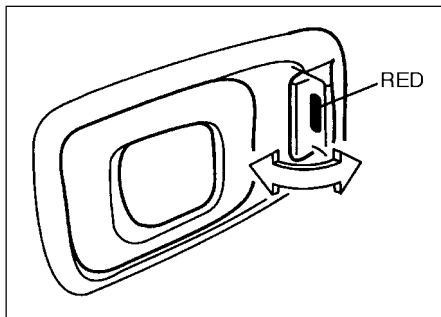
72F-03-002E

To lock a front door from outside the vehicle:

- Insert the key fully and turn the top of the key toward the front of the vehicle, or
- Push in the lock lever and hold the door handle up as you close the door.

To unlock a front door from outside the vehicle, insert the key fully and turn the top of the key toward the rear of the vehicle.

To lock a rear door from outside the vehicle, push in the lock lever and close the door.



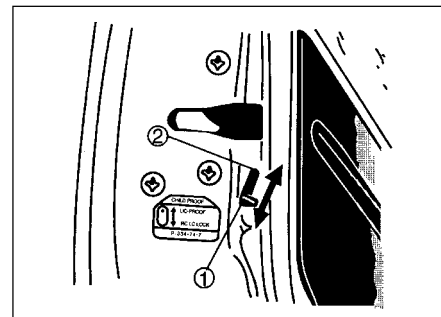
70F-01-006E

If the red mark is visible on the rear side of the door lock lever, the door is unlocked.

To lock a door from inside the vehicle, push in the lock lever. Pull out the lock lever to unlock the door.

⚠ WARNING

Always lock all doors when driving. Locking the door prevents occupants from being thrown from the vehicle in the event of an accident. It also helps prevent unintentional opening of the doors.



70F-01-007

Child-Proof Locks (if equipped)

As illustrated, a child-proof lock is provided for both rear doors. When the lock lever is down, position ①, the child proof lock is activated, and when up, in position ② the child-proof lock is deactivated, when the child-proof lock is activated, the rear door cannot be opened from the inside even if the inside door lock is unlocked but can be opened from the outside.

⚠ WARNING

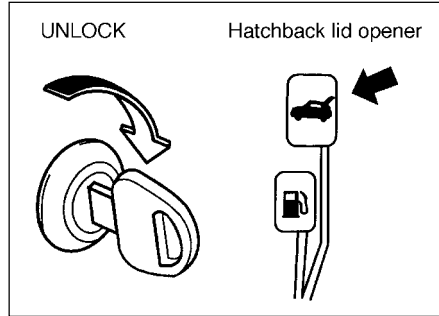
Be sure to place the child-proof lock in the locked position whenever children are seated in the rear.

Central door locking system (if equipped)

You can lock and unlock all the side doors simultaneously by using the key in the driver's door lock. You can also lock or unlock all the side doors by moving the driver's door lock lever rearward or forward.

NOTE:

- Use of key in the front passenger's door lock, locks or unlocks the front passenger's door only.
- Moving the lock lever on the passenger's doors, locks or unlocks the passenger's door only.
- Be sure to hold the door handle up when you close a locked front door, or the door will not remain locked.



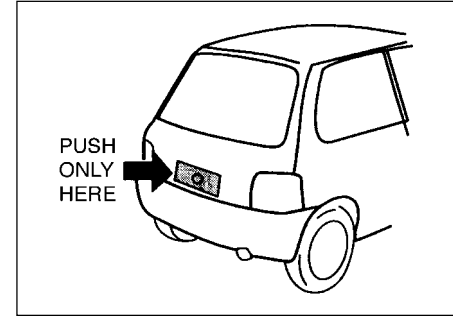
72F-03-003E

Hatchback

To unlock insert the key and turn it clockwise. You can also unlock the hatchback by pulling the release lever located on the outboard side of the driver's seat.

⚠ WARNING

Always make sure that the hatchback is closed and latched securely. Completely closing it helps keep exhaust gases from entering the car. Completely closing the hatchback lid also helps prevent occupants from being thrown from the vehicle in the event of an accident.



72F-03-004E

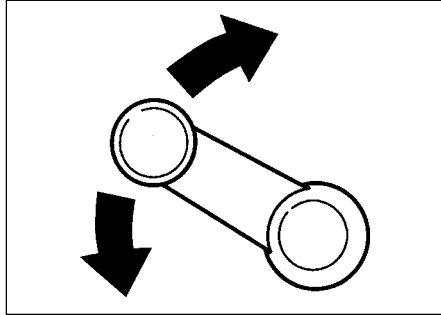
⚠ CAUTION

Do not use the key to lift up the lid, or the key may break off in the lock.

⚠ CAUTION

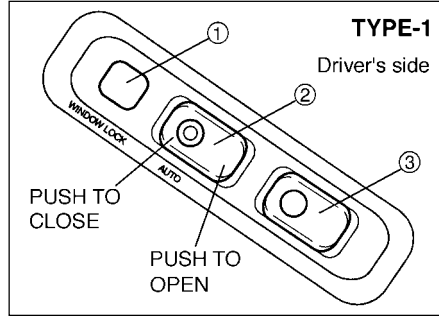
While closing the hatchback PUSH ONLY on the area as indicated above, otherwise the hatchback may get damaged.

WINDOWS



70F-01-010

Raise or lower the door windows by turning the handle located on the door panel.



TYPE-1

Driver's side

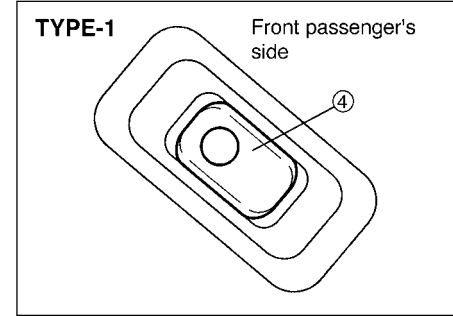
72F-03-009E

Electric window controls (if equipped)
The driver's door has switches ② & ③ to operate the driver's window and front passenger's window respectively.

The front passenger's door only has a switch ④ to operate the front passenger's window. The electric windows can only be operated when the ignition switch is in the "ON" position.

TYPE-1

To close a window, push the top part of the switch and to open the window push the rear part of the switch.

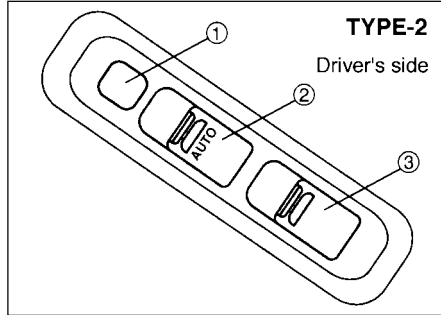


TYPE-1

Front passenger's side

72F-03-010E

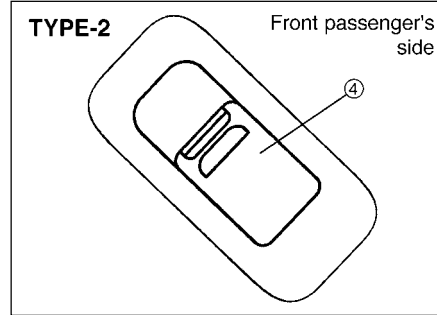
The driver's window has an "auto-down" and "auto-up" feature for added convenience (at toll booths or drive-through restaurants, for example). This means you can open or close the window without holding the window switch in the "Down" or "Up" position. Press down the driver's window switch completely and release it. To stop the window before it reaches the bottom or top, push the switch briefly.



72F-03-011E

TYPE-2

To open a window, push the top part of the switch and to close the window lift up the top part of the switch.



72F-03-012E

The driver's window has an "auto-down" feature for added convenience (at toll booths or drive-through restaurants, for example). This means you can open the window without holding the window switch in the "Down" position. Press down the driver's window switch completely and release it. To stop the window before it reaches the bottom or top, lift up the switch briefly.

⚠ CAUTION

Since the electric windows consumes a large amount of electricity, the same should not be used excessively with engine in "OFF" condition.

⚠ WARNING

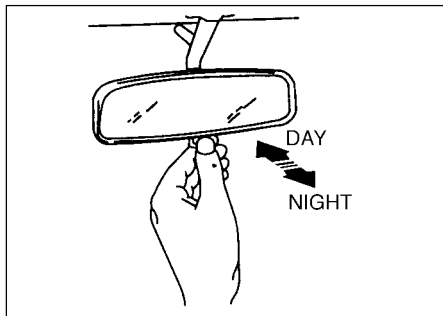
Be sure there are no hands or other obstructions in the path of the driver's window when you activate the "auto-up" feature.

The driver's door also has a lock button ① for the front passenger's window. When you push in the lock button, the front passenger's window can not be raised or lowered by operating the switch ④. To restore normal operation, release the lock button by depressing it again.

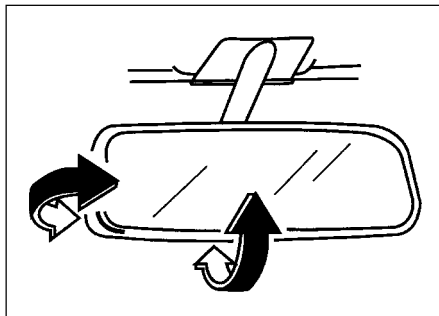
⚠ WARNING

You should always push in the lock button when there are children in the vehicle. Children can be seriously injured if they get part of their body caught by the window during operation.

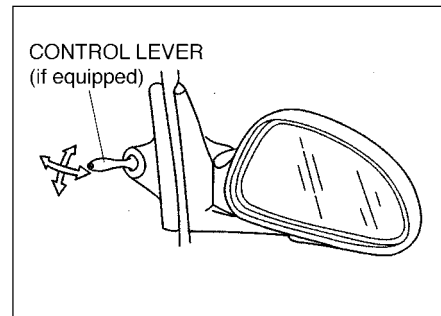
MIRRORS



70F-01-012E



70F-01-013



72F-03-006E

Day-Night Rearview Mirror (if equipped)

To adjust the interior rearview mirror, set the selector tab to the day position, then move the mirror up, down, or sideways to obtain the best view.

When driving at night, you can move the selector tab to the night position to reduce glare from the headlights of vehicles behind you.

⚠ WARNING

- **Always adjust the mirror with the selector set to the day position.**
- **Only use the night position if it is necessary to reduce glare from the headlights of vehicles behind you. Be aware that in this position you may not be able to see some objects that could be seen in the day position.**

Outside Rearview Mirrors

Adjust the outside rearview mirrors (with the help of control lever, if equipped) so you can just see the side of your vehicle in the mirrors.

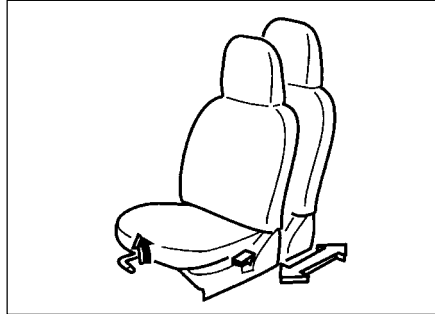
⚠ WARNING

Be careful when judging the size or distance of a vehicle or other object seen in the side convex mirror (if equipped). Be aware that objects look smaller and appear farther away than when seen in a flat mirror.

FRONT SEAT ADJUSTMENT

⚠ WARNING

Never attempt to adjust the driver's seat or seatback while driving. The seat or seatback could move unexpectedly, causing loss of control. Make sure that the driver's seat and seatback are properly adjusted before you start driving.



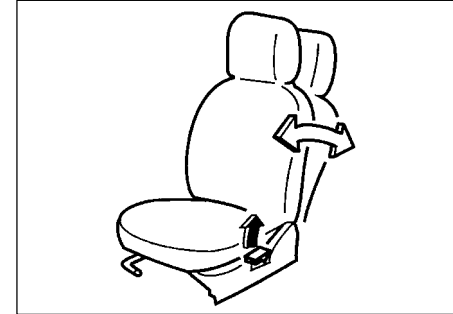
70F-01-015

Adjusting Seat Position

The adjustment lever for each front seat is located under the front of the seat, on the inboard side. To adjust the seat position, pull up on the adjustment lever and slide the seat forward or rearward. After adjustment, try to move the seat forward and rearward to ensure that it is securely latched.

⚠ WARNING

To avoid excessive seat belt slack, which reduces the effectiveness of the seat belts as a safety device, make sure that the seats are adjusted before the seat belts are fastened.



70F-01-016

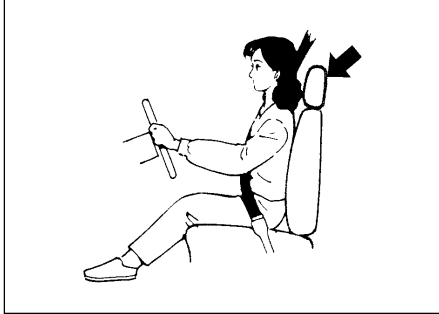
Adjusting Seatbacks

The seatbacks can be adjusted to different angles. To adjust the seatback angle, pull up the lever on the outboard side of the seat, move the seatback to the desired position, and release the lever to lock the seatback in place.

⚠ WARNING

Seatbacks should always be in an upright position when driving, or seat belt effectiveness may be reduced. Seat belts are designed to offer maximum protection when seatbacks are in the fully upright position.

ADJUSTABLE HEAD RESTRAINTS (if equipped)

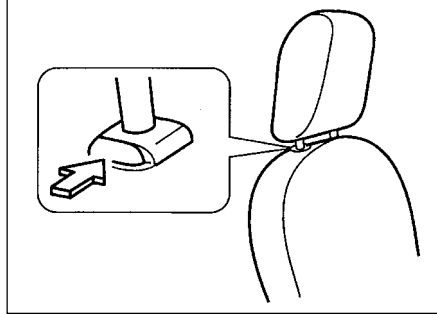


70F-01-019

⚠ WARNING

- **Never drive the vehicle with the head restraints removed.**
- **Do not attempt to adjust the head restraint while driving.**

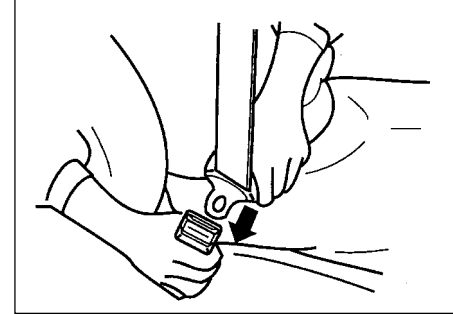
Head restraints are designed to help reduce the risk of neck injuries in the case of an accident. Adjust the head restraint to the position which places the top of the head restraint closest to the top of your ears.



70F-01-020

There are two height positions for the head restraints. To raise the head restraint, pull upward on the restraint until it clicks. To lower the restraint, push down on the restraint while holding in the lock lever. If a head restraint must be removed (for cleaning, replacement, etc.), push in the lock lever and pull the head restraint all the way out.

SEAT BELTS



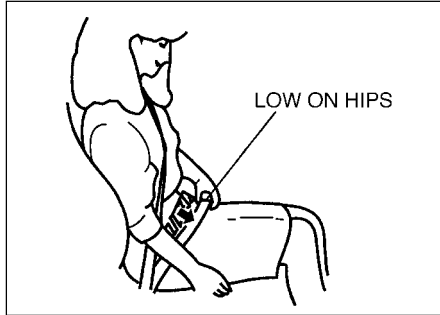
70F-01-021

⚠ WARNING

Wear Your Seat Belts at All Times.

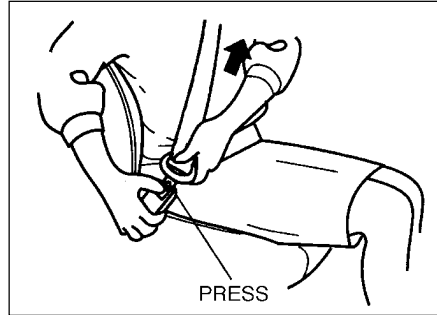
The vehicle is provided with two automatic retracting type seat belts.

To fasten the seat belt, pull the buckle tongue attached to the seat belt across your body and slide it into the buckle catch slot on the opposite side until you hear a “click”.



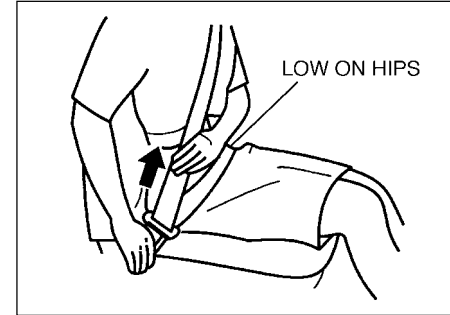
70F-01-022E

To reduce the risk of sliding under the belt during a collision, position the lap portion of the belt across your lap as low on your hips as possible and adjust the belt to a snug fit using the proper method described below. Make sure that the belt is not twisted.



70F-01-023E

To unfasten the belt, press the release button on the buckle catch.



70F-01-024E

To Adjust the Belt

- **Automatic retracting type**

Pull the shoulder portion of the belt upwards through the tongue plate.

The length of the diagonal shoulder strap adjusts itself to allow freedom of movement. The seat belt has an emergency locking retractor (ELR), which is designed to lock the seat belt only during a sudden stop or impact.

▲ WARNING

No modifications or additions of any sort should be made to the seat belt or its operating mechanism.

⚠ WARNING

Be sure to inspect all seat belt assemblies after any collision. Any seat belt assembly which was in use during a collision (other than a very minor one) should be replaced, even if damage to the assembly is not obvious. Any seat belt assembly which was not in use during a collision should be replaced if it does not function properly or is damaged in any way.

⚠ WARNING

- Never allow persons to ride in the cargo area of a vehicle. In the event of an accident, there is a much greater risk of injury for persons who are not riding in a seat with their seat belt securely fastened.
- Seat belts should always be adjusted so the lap portion of the belt is worn low across the pelvis, not across the waist. Shoulder straps should be worn on the outside shoulder only, and never under the arm. Seat belts should never be worn with the straps twisted and should be adjusted ⇨

⚠ WARNING

⇨ as tightly as is comfortable to provide the protection for which they have been designed. A slack belt will provide less protection than one which is snug.

- Make sure that each seat belt buckle is inserted into the proper buckle catch.
- Do not wear your seat belt over hard or breakable objects in your pockets or on your clothing. If an accident occurs, objects such as glasses, pens, etc. under the seat belt can cause injury.
- Never use the same seat belt on more than one occupant and never attach a seat belt over an infant or child being held on an occupant's lap. Such seat belt use could cause serious injury in the event of an accident.
- Pregnant women should use seat belts, although specific recommendations about restraint use should be made by the woman's medical advisor.
- Periodically inspect seat belt assemblies for excessive wear and ⇨

⚠ WARNING

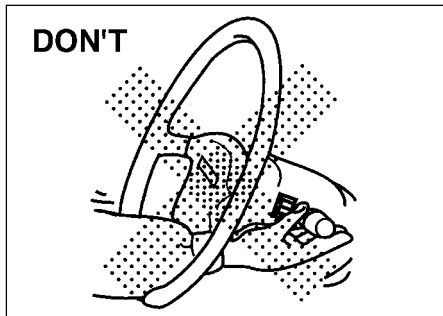
⇨ damage. Seat belts should be replaced if webbing becomes frayed, contaminated, or damaged in any way. It is essential to replace the entire seat belt assembly after it has been stressed in an impact, even if damage to the assembly is not obvious.

- Infants and small children should never be transported unless they are properly restrained. Restraint systems for infants and small children can be purchased locally and should be used. Make sure that the system you purchase meets applicable safety standards. Read and follow all the directions provided by the manufacturer.
- Avoid contamination of seat belt webbing by polishes, oils, chemicals, and particularly battery acid. Cleaning may safely be carried out using mild soap and water.
- For children, if the shoulder belt irritates the neck or face, move the child closer to the center of the vehicle.

STEERING COLUMN CONTROLS

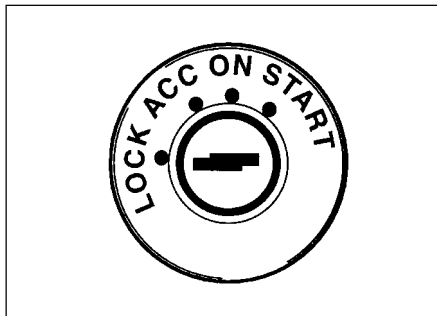
Ignition Switch	4-1
Lighting/Turn Signal Control Lever	4-2
Hazard Warning Switch	4-4
Windscreen Wiper and Washer Lever	4-4
Horn	4-5
Electric Power Steering (if equipped)	4-5

IGNITION SWITCH



70F-02-001E

⚠ WARNING
 To avoid possible injury, do not operate controls by reaching through the steering wheel.

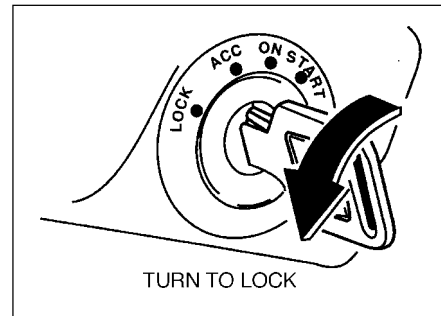


70F-02-002

The ignition switch has the following four positions:

⚠ WARNING

- Do not use any locally made key.
- Should you require duplicate key, place your order with MARUTI dealer only.



70F-02-003E

LOCK

This is the normal parking position. It is the only position in which the key can be removed.

The “LOCK” position locks the ignition, and prevents normal use of the steering wheel after the key is removed.

To release the steering lock, fully insert the key and turn it clockwise to one of the other positions. If you have trouble turning the key to unlock the steering, try turning the steering wheel slightly to the right or left while turning the key.

ACC

Accessories such as the radio can operate, but the engine is off.

ON

This is the normal operating position. All electrical systems are on.

START

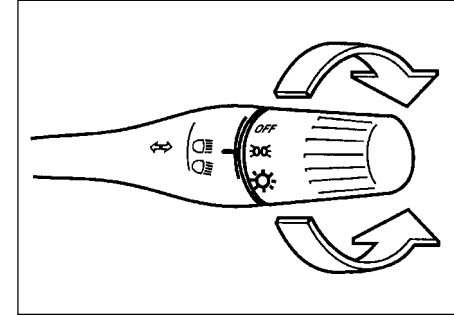
This is the position for starting the engine using the starter motor. The key should be released from this position as soon as the engine starts.

⚠ WARNING

- **Never remove the ignition key while the vehicle is moving. The steering wheel will lock and you will not be able to steer the vehicle.**
- **Do not leave children alone in a parked vehicle. Unattended children could cause accidental movement of the vehicle, which could result in severe personal injury.**
- **Always remove the key when parked to prevent unintentional operation of the vehicle and to improve security.**

⚠ CAUTION

- **Do not use the starter motor for more than five seconds at a time. If the engine does not start; wait five to ten seconds before trying again. If the engine does not start after several attempts, check the fuel and ignition systems or consult your MARUTI dealer.**
- **Do not leave the ignition switch in the "ON" position if the engine is not running as the battery will discharge.**

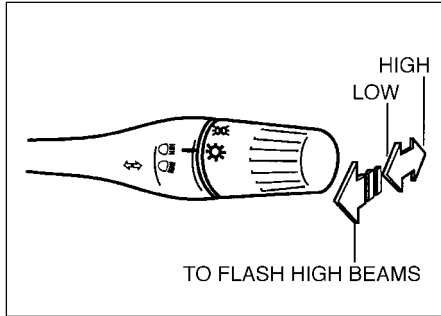
LIGHTING/TURN SIGNAL CONTROL LEVER

72F-04-001

This control lever is located on the outboard side of the steering column. Operate the lever as described below.

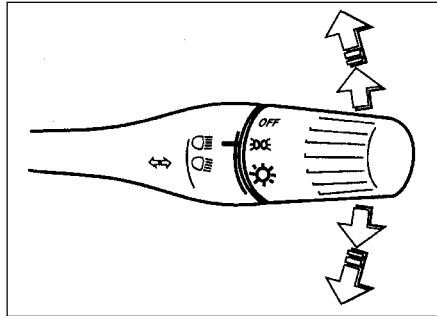
Lighting Operation

To turn the lights on or off, twist the knob on the end of the lever. There are three positions: in the "OFF" position all lights are off; in the middle position the front parking lights, tail-lights, registration plate light, and instrument lights are on, but the headlights are off; in the third position the headlights come on in addition to the other lights.



72F-04-002E

With the headlights on, push the lever forward to switch to the high beams (main beams) or pull the lever toward you to switch to the low beams. When the high beams (main beams) are on, a light on the instrument panel will come on. To flash the high beams (main beams) pull the lever slightly towards you and release it.



72F-04-003

Turn Signal Operation

With the ignition switch in the "ON" position, move the lever up or down to activate the left or right turn signals.

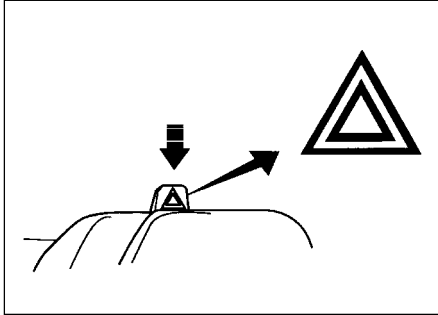
Normal Turn Signal

Move the lever clockwise until it clicks to signal a right turn or anticlockwise to signal a left turn. When the turn is completed, the signal will cancel and the lever will return to its normal position.

Lane Change Signal

Some times, such as when changing lanes, the steering wheel is not turned far enough to cancel the turn signal. For convenience, you can flash the turn signal by moving the lever part way and holding it there. The lever will return to its normal position when you release it.

HAZARD WARNING SWITCH

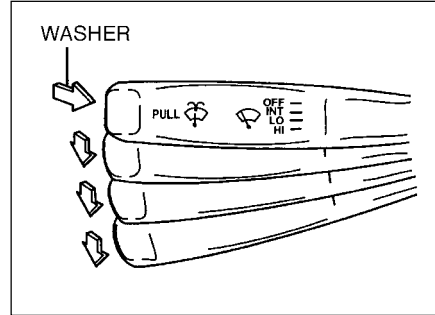


70F-02-007

Push down the hazard warning switch to activate the hazard warning lights. All four turn signal lights and both turn signal indicators will flash simultaneously. To turn off the lights, push the switch again.

Use the hazard warning lights to warn other traffic during emergency parking or when your vehicle could otherwise become a traffic hazard.

WINDSCREEN WIPER AND WASHER LEVER



72F-04-004E

Windscreen Wipers

To turn the windscreen wipers on, move the lever down to one of the three operating positions. In the "INT" position (if equipped), the wipers operate intermittently. The "INT" position is very convenient for driving in mist or light rain. In the "LO" position, the wipers operate at a steady low speed. In the "HI" position, the wipers operate at a steady high speed. To turn off the wipers, move the lever back to the "OFF" position.

Windscreen Washer

To spray windscreen washer fluid, pull the lever toward you. The windscreen wipers will automatically turn on at low speed if they are not already on and the "INT" position is equipped.

▲ WARNING

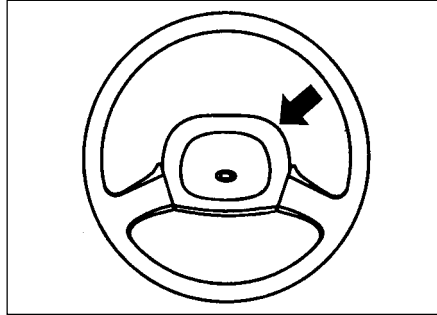
- To prevent windscreen icing in cold weather, turn on the defroster to heat the windscreen before and during windscreen washer use.
- Do not use radiator antifreeze in the windscreen washer reservoir. It can severely impair visibility when sprayed on the windscreen, and can also damage your vehicle's paint.

▲ CAUTION

To help prevent damage to the windshield wiper and washer system components, you should take the following precautions:

- Do not continue to hold in the lever when there is no windshield washer fluid being sprayed or the washer motor can be damaged.
- Do not attempt to remove dirt from a dry windshield with the wipers or you can damage the windshield and the wiper blades. Always wet the windshield with washer fluid before operating the wipers.
- Clear ice or packed snow from the wiper blades before using the wipers.
- Check the washer fluid level regularly. Check it often when the weather is bad.
- Only fill the washer fluid reservoir 3/4 full during cold weather to allow room for expansion if the temperature falls low enough to freeze the solution.

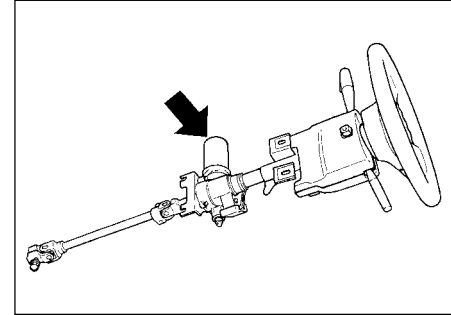
HORN



72F-04-006

Press the center piece of the steering wheel to sound the horn. The horn will sound with the ignition switch in any position.

ELECTRIC POWER STEERING (if equipped)

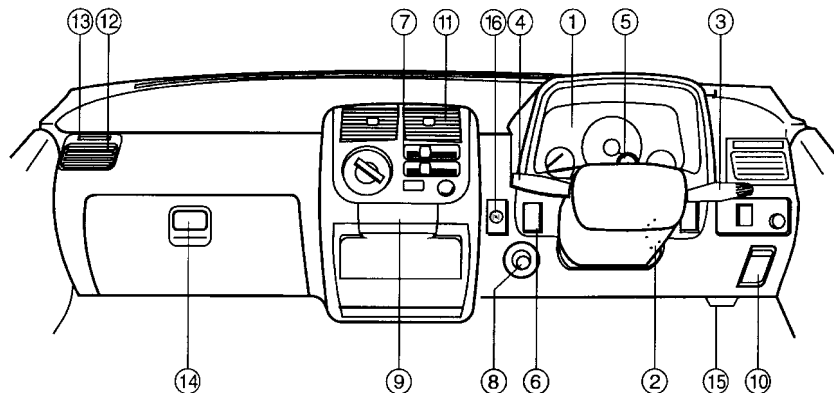


72F-09-013

Depending on specifications, your vehicle is equipped with electric power steering system to reduce the steering effort while driving.

INSTRUMENT PANEL

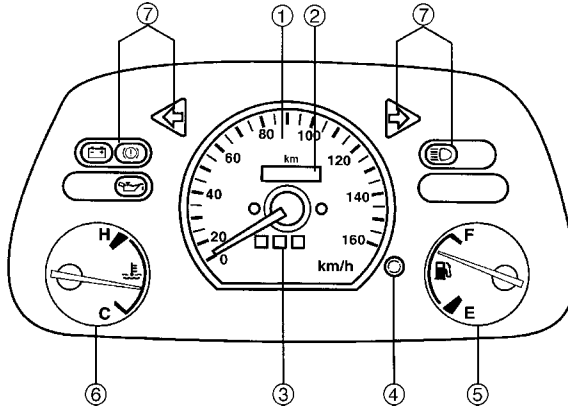
Warning and Indicator Lights.....	5-3
Speedometer/Odometer/Tripmeter (if equipped).....	5-5
Fuel Gauge	5-6
Temperature Gauge.....	5-6
Choke Knob.....	5-7
Rear Window Wiper/Washer Switch (if equipped)	5-7
Rear Window Defroster Switch (if equipped).....	5-8
Ashtray.....	5-8
Glove Box	5-8
Cigarette Lighter (if equipped).....	5-9
Fog light switch (if equipped).....	5-9
Heating System (if equipped).....	5-10
System Operating Instructions	5-11
Air Conditioning System (if equipped)	5-14
System Operating Instructions	5-14



1. Instrument cluster
2. Ignition switch
3. Lighting switch/Turn signal and dimmer switch
4. Windscreen wiper and washer switch
5. Hazard warning switch
6. Rear window wiper/washer switch (if equipped)
7. Heater control panel
8. Cigarette lighter (if equipped)
9. Ashtray
10. Bonnet release
11. Center ventilator
12. Side ventilator
13. Side defroster
14. Glove box
15. Fuse box
16. Choke knob

72F-05-015

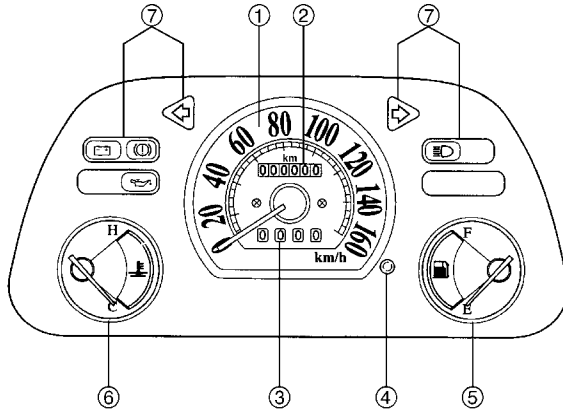
TYPE-1



72F-05-016

- ① Speedometer
- ② Odometer
- ③ Trip meter (if equipped)
- ④ Trip meter reset knob
- ⑤ Fuel gauge
- ⑥ Temperature gauge
- ⑦ Warning and indicator lights

TYPE-2



72F-05-017

WARNING AND INDICATOR LIGHTS



70F-07-070

Brake fluid level warning light

This light operates under two conditions: 1) when the ignition switch is turned to the "START" position, or 2) when the fluid in the brake fluid reservoir falls below the specified level. This light may also be used as a parking Brake indicator light. The light should go out after starting the engine and fully releasing the parking brake. If the light does not go off or comes on whilst you are driving, it may mean that there is something wrong with the vehicle's braking system. If this happens, you should:

- 1) Pull off the road and stop carefully.

▲ WARNING

Remember that stopping distance may be longer, you may have to push harder on the pedal, and the pedal may go down farther than normal.

- 2) Test the brakes by carefully starting and stopping at the side of the road.

5-3

- 3) If you determine that it is safe, drive carefully at low speed to the nearest dealer for repairs.

or

- 4) Have the vehicle towed to the nearest dealer for repairs.

▲ WARNING

If any of the following conditions occur, you should immediately ask your MARUTI dealer to inspect the brake system.

- If the brake fluid level warning light does not go out after the engine has been started and the parking brake has been fully released.
- If the brake fluid level warning light does not come on when the ignition switch is turned to the "START" position.
- If the brake fluid level warning light comes on at any time during vehicle operation.

NOTE:

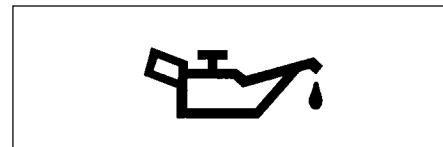
Because the disc brake system is self adjusting, the fluid level will drop as the brake pads become worn. Replenishing the brake fluid reservoir is considered normal periodic maintenance.



70F-07-070

Parking brake indicator light

This light comes on when the parking brake is not fully released and the ignition switch is in the "ON" position.

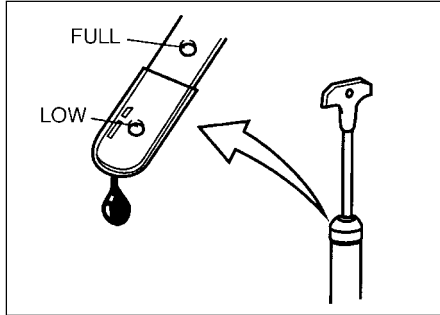


70F-03-039

Oil Pressure Light

This light comes on when the ignition switch is turned on, and goes out when the engine is started. The light will come on and remain on if there is insufficient oil pressure. If the light comes on when driving, pull off the road as soon as you can and stop the engine. Check the oil level and add oil if necessary (see pages 9-8 and 9-9). If there is enough oil, the lubrication system should be inspected by your MARUTI dealer before you drive the vehicle again.

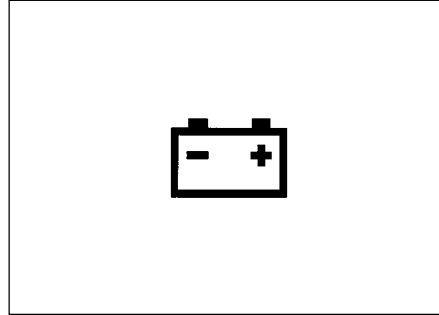
30



70F-03-008E

⚠ CAUTION

- If you operate the engine with this light on, severe engine damage can result.
- Do not rely on the Oil Pressure Light to indicate the need to add oil. Be sure to periodically check the engine oil level (see pages 9-8 and 9-9).



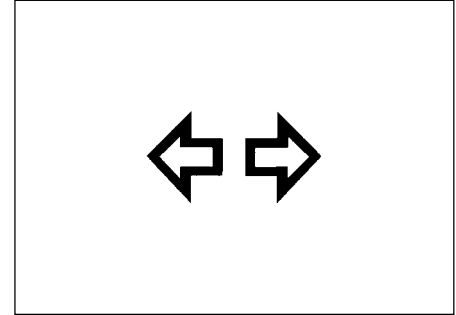
70F-03-009

Charging Light

This light comes on when the ignition switch is turned on, and goes out when the engine is started. The light will come on and remain on if there is something wrong with the battery charging system. If the light comes on when the engine is running, the charging system should be inspected immediately by your MARUTI dealer.

⚠ CAUTION

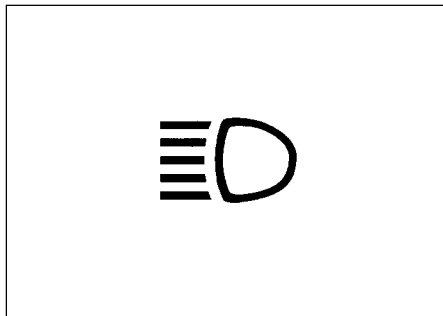
Do not continue driving long with the charging light ON as this will drain the battery 'dead'.



70F-03-011

Turn Signal Indicators

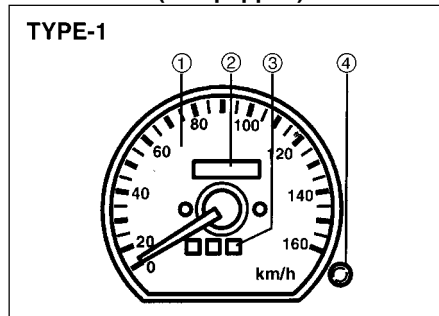
When you turn on the left or right turn signals, the corresponding green arrow on the instrument panel will flash along with the respective turn signal lights. When you turn on the hazard warning switch, both arrows will flash along with all of the turn signal lights.



70F-03-012

Main Beam (High Beam) Indicator Light
 This indicator comes on when headlight main beams (high beams) are turned on.

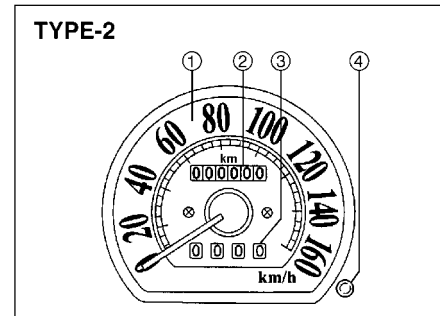
**SPEEDOMETER/ODOMETER/
 TRIPMETER (if equipped)**



72F-05-018E

- ① Speedometer
- ② Odometer
- ③ Trip meter
- ④ Trip meter reset knob

The speedometer indicates vehicle speed in km/h. The odometer records the total distance the vehicle has been driven. The tripmeter can be used to measure the distance travelled on short trips or between fuel stops. You can reset the tripmeter to zero by pushing the reset knob.

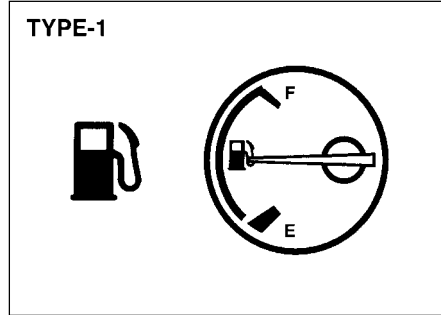


72F-05-019E

▲ CAUTION

Keep track of your odometer reading and check the maintenance schedule regularly for required services. Increased wear or damage to certain parts can result from failure to perform required services at the proper mileage intervals and your warranty rights may be affected.

FUEL GAUGE

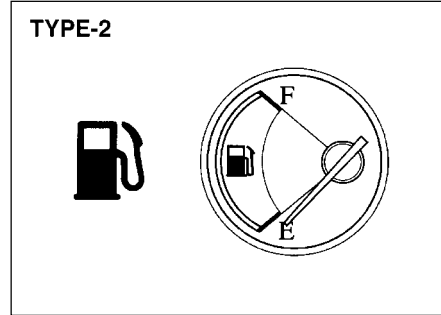


72F-05-020E

This gauge gives an approximate indication of the amount of fuel in the fuel tank as shown in figure. "F" stands for full and "E" stands for empty.

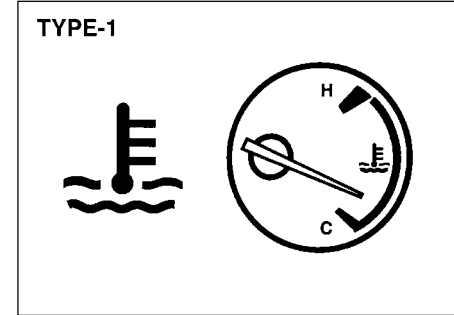
Note:

This vehicle has fuel gauge of new design. Even when the ignition switch is "OFF", the needle will not return to "E" position but will show the reading.



72F-05-021E

TEMPERATURE GAUGE



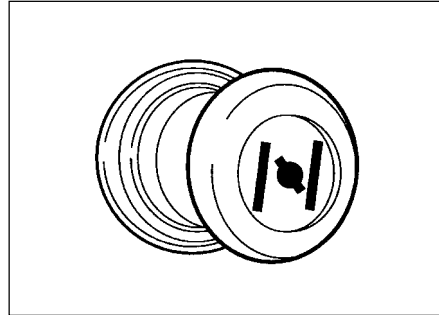
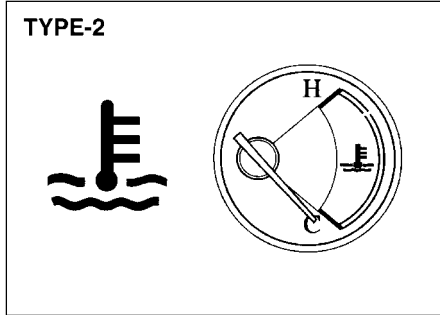
72F-05-022E

When the ignition switch is on, this gauge indicates the engine coolant temperature. Under normal driving conditions, the indicator should stay within the normal, acceptable temperature range between "H" and "C". If the indicator approaches "H", and maintains that reading, overheating is indicated. Follow the instructions for engine overheating in the EMERGENCY REMEDIES section.

▲ CAUTION

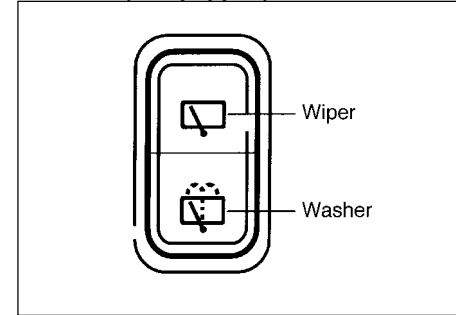
Continuing to drive the vehicle when engine overheating is indicated, can result in severe engine damage.

CHOKE KNOB



This is used for starting the engine when it is cold (see page 7-2).

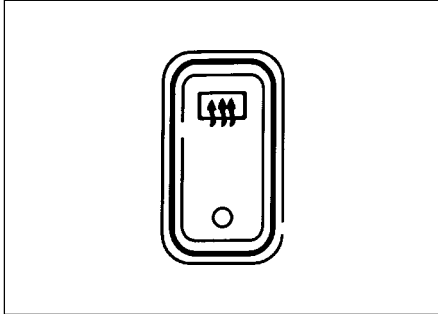
REAR WINDOW WIPER/WASHER SWITCH (if equipped)



With the ignition switch in the "ON" position, push the wiper switch to turn on the rear wiper. To turn the wiper off, push the switch again.

To spray window washer fluid, hold in the washer switch. Washer fluid will stop spraying when you release the switch.

REAR WINDOW DEFROSTER SWITCH (if equipped)



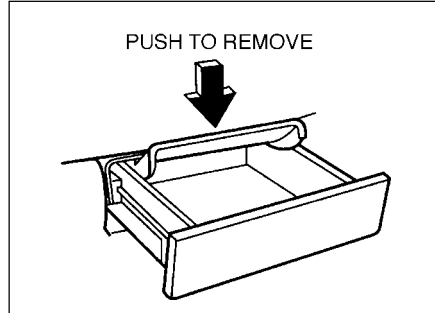
70F-03-022

When the rear window is misted, push this switch to clear the window. An indicator light will be lit when the defroster is on. The defroster will only work when the ignition switch is in the "ON" position. To turn off the defroster, push the switch again.

⚠ CAUTION

The heated rear window uses a large amount of electricity. Be sure to turn off after the window has become clear.

ASHTRAY



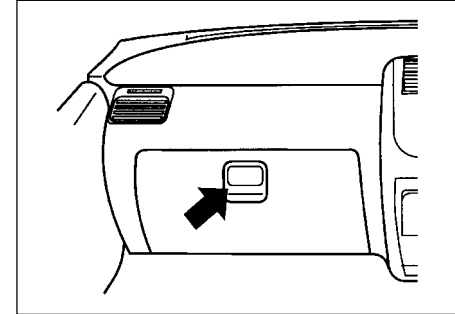
70F-03-025E

To remove the front panel ashtray for cleaning, push down on the metal plate, and pull the ashtray completely out of its holder.

⚠ WARNING

Make sure tobacco is fully extinguished before closing the ashtray. Never throw waste in the ashtray: it could create a fire hazard.

GLOVE BOX



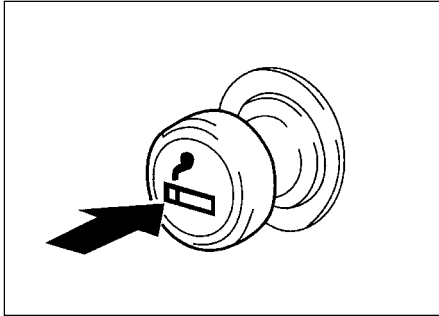
72F-05-003

To open the glove box, pull the latch lever. To close it, push the lid until it latches securely.

⚠ WARNING

Never drive with the glove box lid open. It could cause injury if an accident occurs.

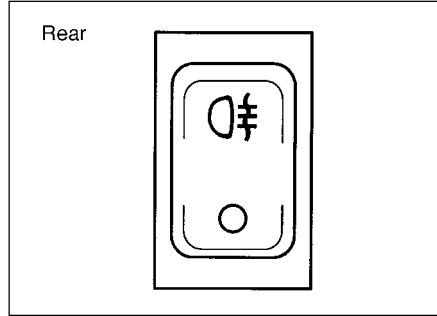
CIGARETTE LIGHTER (if equipped)



70F-03-024

To use the cigarette lighter, push it all the way into the receptacle and release it. It will automatically heat up and will pop out to its normal position when it is ready for use.

FOG LIGHT SWITCH (if equipped)



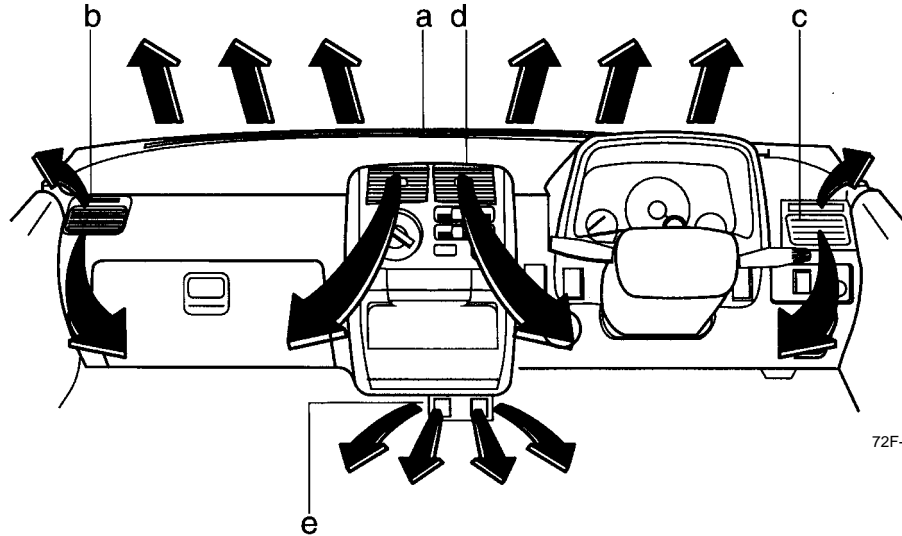
70F-03-023E

The fog light comes on when the fog light switch is pushed in with the head light switch turned to the second position.

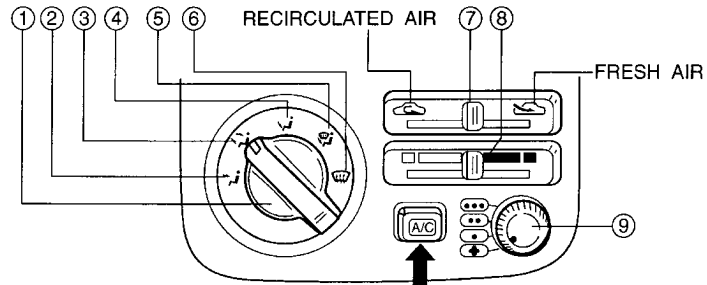
HEATING SYSTEM (if equipped)

The heating system provides heating, demisting, and ventilation.

- a. Windscreen defroster
- b. Side defroster
- c. Side outlet
- d. Center outlet
- e. Floor outlet



72F-05-004



70F-03-028E

Description of Controls

Function selector ①: This selector is used to select one of the functions described below:



VENTILATION ②: Temperature-controlled air comes out of the center and side air outlets.



BI-LEVEL ③: Temperature-controlled air comes out of the floor outlets and cooler air comes out of the center and side outlets. When the temperature control lever is in the fully “COOL” position or fully “HOT” position, however, the air from the floor outlets and the air from the center and side outlets will be the same temperature.



HEAT ④: Temperature-controlled air comes out of the floor outlets.



HEAT & DEFROST ⑤: Temperature-controlled air comes out of the floor outlets, the windscreen defroster outlets, and the side defroster outlets.



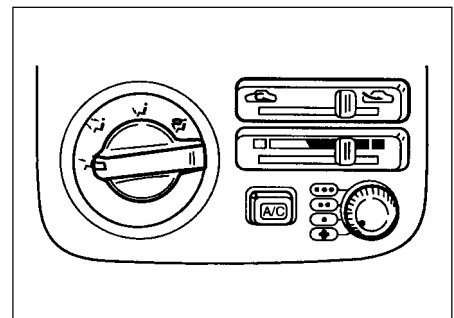
DEFROST ⑥: Temperature-controlled air comes out of the windscreen defroster outlets and the side defroster outlets.

Air Intake Lever ⑦: This lever is used to select between circulating outside air (FRESH AIR) or recirculating inside air (RECIRCULATED AIR).

Temperature Control Lever ⑧: This lever is used to control the temperature of the air that comes out of the air outlets.

Fan switch ⑨: This switch is used to turn on the fan and to select fan speed. There are four positions: OFF, LOW, MEDIUM and HIGH.

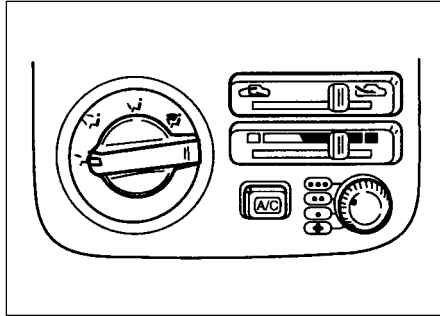
SYSTEM OPERATING INSTRUCTIONS



72F-05-005

Natural Ventilation

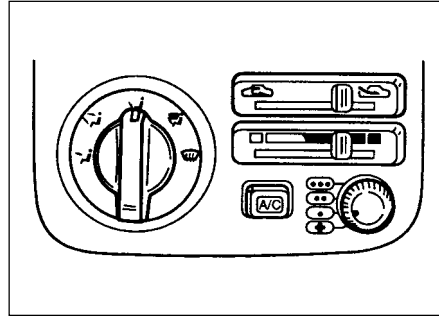
Move the function selector to “VENTILATION”, the air intake lever to “FRESH AIR”, The temperature control lever to the desired temperature position, and the fan switch to “OFF”. Fresh air will flow through the vehicle when it is moving.



72F-05-006

Forced Ventilation

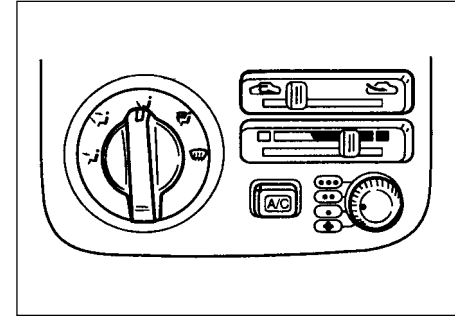
The lever settings are the same as for natural ventilation except you move the fan switch to a position other than "OFF".



72F-05-007

Normal Heating (Using outside air)

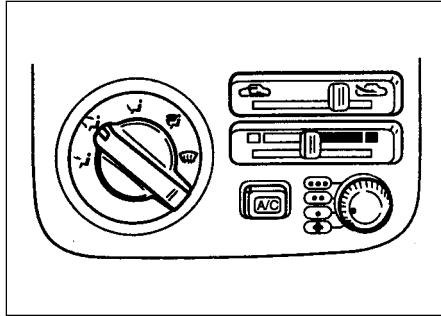
Move the function selector to "HEAT", the air intake lever to "FRESH AIR", the temperature control lever to the desired temperature position, and the fan switch to the desired fan speed position. Moving the fan switch to a higher fan speed position increases heating efficiency.



72F-05-008

Quick Heating (Using recirculated air)

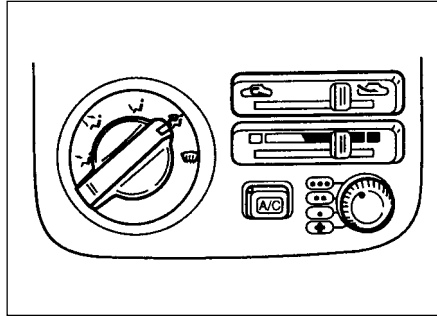
The lever settings are the same as for normal heating except you move the air intake lever to "RECIRCULATED AIR". If you use this heating method for an extended period of time, the air in the vehicle can become contaminated and the windows can become misty. Therefore, use this method only for quick heating and change to the normal heating method as soon as possible.



72F-05-009

Cool Face/Warm Feet

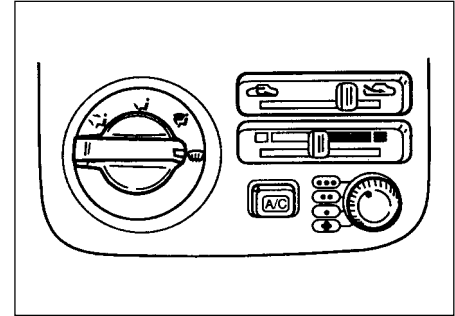
Move the function selector to “BI-LEVEL”, the air intake lever to “FRESH AIR”, the temperature control lever to the desired temperature position, and the fan switch to the desired fan speed position. Unless the temperature control lever is in the fully “COOL” position or fully “HOT” position, the air that comes out of the center and side outlets will be cooler than the air that comes out of the floor outlets.



72F-05-010

Defrosting/Warm Feet

Move the function selector to “DEFROST & HEAT”, the air intake lever to “FRESH AIR”, the temperature control lever to the desired temperature position, and the fan switch to “HIGH”. When the windscreen has become clear, move the fan switch to the desired fan speed position.

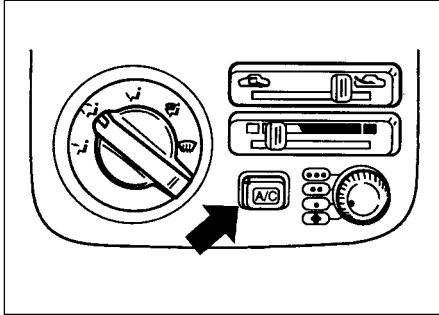


72F-05-011

Defrosting

Move the function selector to “DEFROST”, the air intake lever to “FRESH AIR”, the temperature control lever to the desired temperature position, and the fan switch to “HIGH”. Moving the temperature control lever to a higher temperature position increases defrosting efficiency. When the windscreen has become clear, move the fan switch to the desired fan speed position.

AIR CONDITIONING SYSTEM (if equipped)

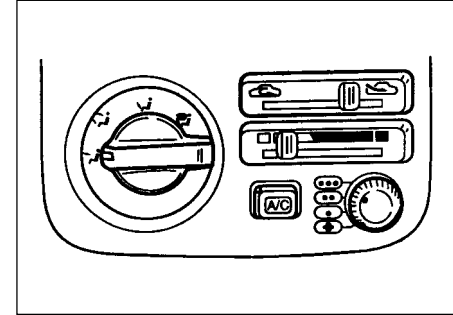


70F-03-034

The air conditioning system can be used to provide cooling and dehumidifying, as described below. To turn on the air conditioning system, push in the A/C button and move the fan switch to a position other than "OFF". An indicator light will come on when the air conditioning system is on. To turn off the air conditioning system, push the A/C button again.

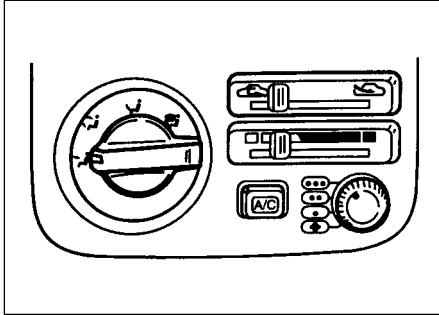
During operation of the air conditioner, you may notice slight changes in engine speed. These changes are normal, the system is designed so that the compressor turns on or off to maintain the desired temperature. Less operation of the compressor results in better fuel economy.

SYSTEM OPERATING INSTRUCTIONS



72F-05-012

Normal Cooling (using outside air)
push in the A/C button, move the function selector to "VENTILATION", the air intake lever to "FRESH AIR", the temperature control lever to the "COOL" position, and the fan switch to the desired fan speed position. Moving the fan switch to a higher fan speed position increases cooling efficiency.



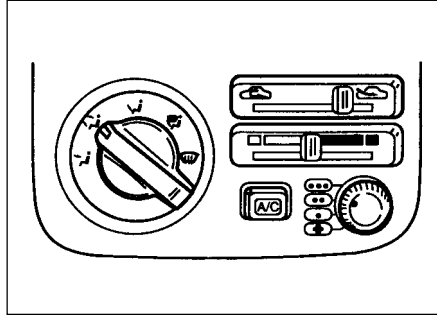
72F-05-013

Quick Cooling (Using recirculated air)

The lever settings are the same as for normal cooling except you move the air intake lever to "RECIRCULATED AIR". If you use this cooling method for an extended period of time, the air in the vehicle can become contaminated. Therefore, you should occasionally move the air intake lever to "FRESH AIR".

NOTE:

If your vehicle has been left in the sun with the windows closed, it will cool faster if you open the windows briefly while you operate the air conditioner with the air intake lever at "FRESH AIR" and the fan at high speed.



72F-05-014

Dehumidifying

Push in the A/C button, move the function selector to the desired function position, the air intake lever to "FRESH AIR", the temperature control lever to the desired temperature position, and the fan switch to the desired fan speed position.

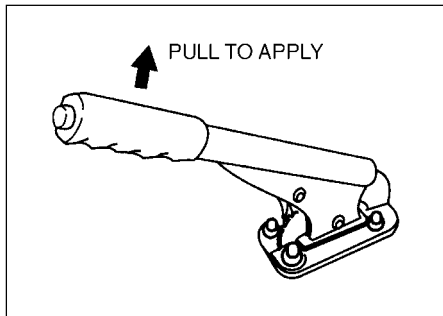
NOTE:

Because the air conditioner dehumidifies the air, turning it on will help keep the windows clear, even when blowing heated air using the DEMIST or HEATER & DEMIST functions.

OTHER CONTROLS AND EQUIPMENT

Parking Brake Lever	6-1
Pedals	6-2
Gear Lever	6-3
Fuel Filler Cap	6-3
Folding Rear Seats	6-5
Sun Visor	6-6
Interior Light Switch	6-6
Assist Grips	6-7
Bonnet	6-7
Tyre Changing Tools	6-8
Luggage Compartment Cover (if equipped)	6-9

PARKING BRAKE LEVER

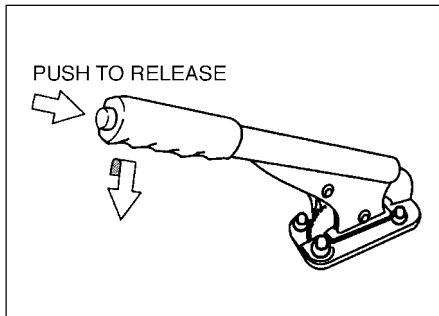


70F-04-001E

The parking brake lever is located between the seats. To apply the parking brake, hold the brake pedal down and pull the parking brake lever all the way up. To release the parking brake, hold the brake pedal down, pull up slightly on the parking brake lever, push the button on the end of the lever with your thumb, and lower the lever to its original position.

For automatic transmission vehicles, always apply the parking brake before moving the gear shift lever to the "P" (PARK) position. If you park on an incline and shift into "P" before applying the parking brake, the weight of the vehicle may make it difficult to shift out of "P" when you are ready to drive the vehicle.

6-1



70F-04-002E

When preparing to drive the vehicle, move the gearshift lever out of the "P" position before releasing the parking brake.

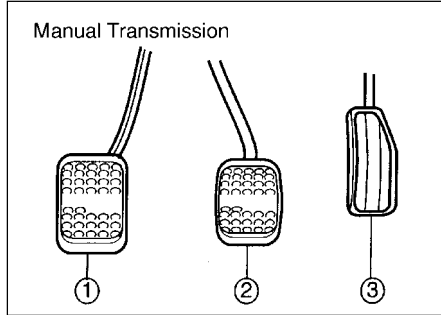
▲ WARNING

- Never drive your vehicle with the parking brake on: rear brake effectiveness can be reduced from over heating, brake life may be shortened, or permanent brake damage may result.
- If the parking brake does not hold the vehicle securely or does not fully release, have your vehicle inspected immediately by an authorized MARUTI dealer.

▲ WARNING

Always apply the parking brake fully before leaving your vehicle or it may move, causing injury or damage. When parking, make sure the gear shift lever for manual transmission is left in first gear or reverse and the gear shift lever for automatic transmission vehicles is in "P" (PARK). Remember, even though the transmission is in gear, you must always apply the parking brake fully.

PEDALS

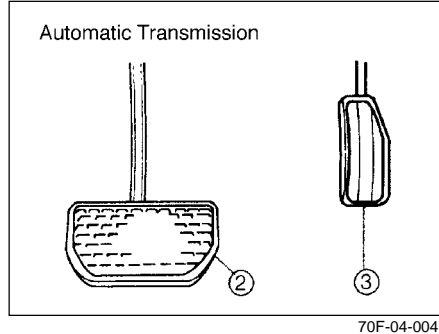


Clutch Pedal ① (for manual transmission)

The clutch pedal is used to disengage the drive to the wheels when starting the engine, stopping, or shifting the transmission lever. Depressing the pedal disengages the clutch.

⚠ CAUTION

Do not drive with your foot resting on the clutch pedal. It could result in excessive clutch wear, clutch damage, or unexpected loss of engine braking.



Brake Pedal ②

Your MARUTI vehicle is equipped with front disc brakes and rear drum brakes. Depressing the brake pedal applies both sets of brakes.

You may hear occasional brake squeal when you apply the brakes. This is a normal condition caused by environmental factors such as cold, wet, snow, etc.

⚠ WARNING

If brake squeal is excessive and occurs each time the brakes are applied, you should have the brakes checked by your MARUTI dealer.

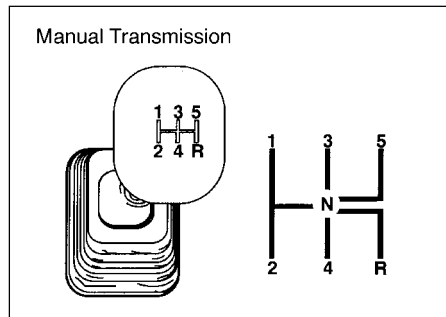
⚠ WARNING

Do not "ride" the brakes by applying them continuously or resting your foot on the pedal. This will result in overheating of the brakes which could cause unpredictable braking action, longer stopping distances, or permanent brake damage.

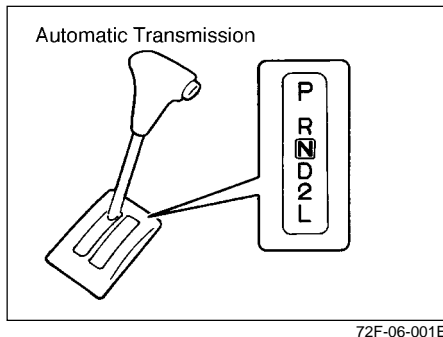
Accelerator Pedal ③

This pedal controls the speed of the engine. Depressing the accelerator pedal increases power output and speed.

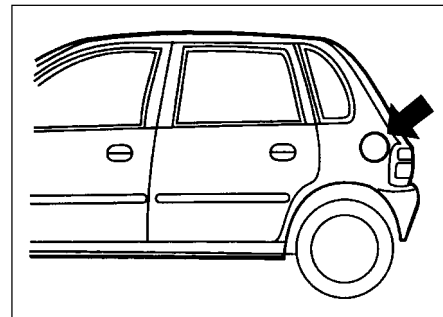
GEAR LEVER



The gear change pattern is shown in the illustration. For details on how to use the transmission, refer to USING THE TRANSMISSION in the OPERATING YOUR VEHICLE section (See page 7-4).



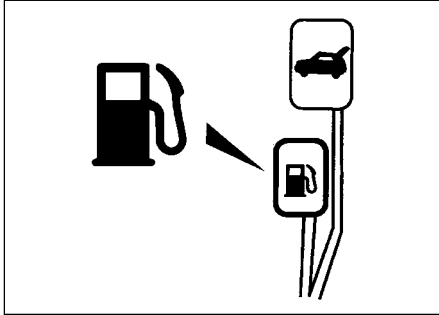
FUEL FILLER CAP



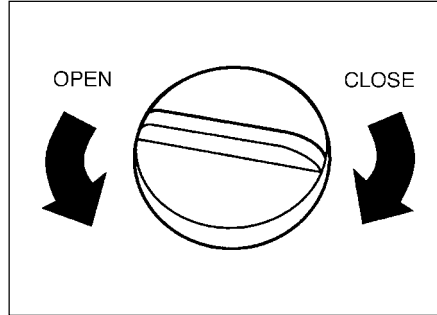
The fuel filler cap is located on the left rear side of the vehicle. The fuel filler lid can be unlocked by pulling up the opener lever located on the outboard side of the driver's seat and locked by simply closing the lid.

⚠ WARNING

Remove the fuel filler cap slowly. The fuel may be under pressure and may spray out, causing injury.



72F-06-002



72F-06-003E

⚠ WARNING

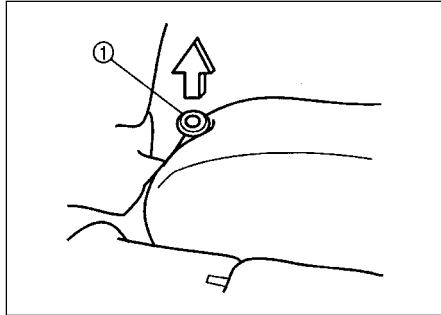
Petrol is extremely flammable. Do not smoke when refuelling, and make sure there are no open flames or sparks in the area.

- To remove - turn the cap counterclockwise. Turn the cap slowly to allow any residual pressure to escape.
- To install - turn the cap clockwise.

⚠ CAUTION

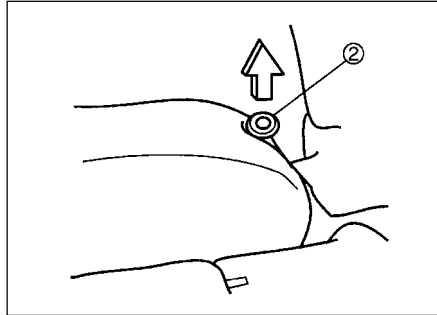
If you need to replace the fuel cap, use only a cap specified for your model. Using an improper fuel cap can cause a serious malfunction of the fuel system. You can get the correct replacement cap from your MARUTI dealer.

FOLDING REAR SEAT



70F-04-009

The rear seat of your vehicle can be folded forward to provide additional luggage space.



70F-04-010

To lower the seatback, pull up the lock knobs (① and ②) simultaneously and fold forward the seatback. To raise the seatback, lift it up and push back until it locks into place.

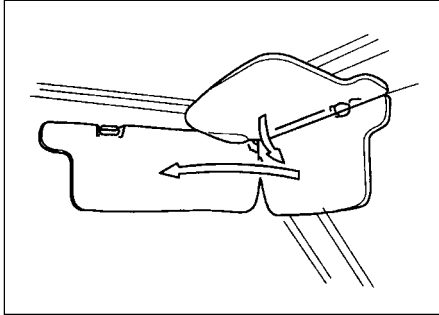
▲ WARNING

Luggage or other cargo should be stowed in the luggage compartment with the rear seat in an upright position, whenever possible. If you need to carry cargo in the passenger compartment with the rear seat back folded forward, be sure to secure the cargo or it may be thrown about, causing injury. Never pile cargo higher than the seatbacks.

▲ WARNING

When returning a rear seat to the normal position, make sure that movement of the seatback is unobstructed and the seatback is securely latched.

SUN VISOR

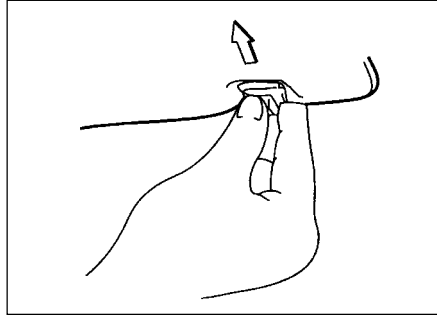


70F-04-011

The sun visors can be pulled down to block glare coming through the wind screen, or they can be unhooked and turned to the side to block glare coming through the side window.

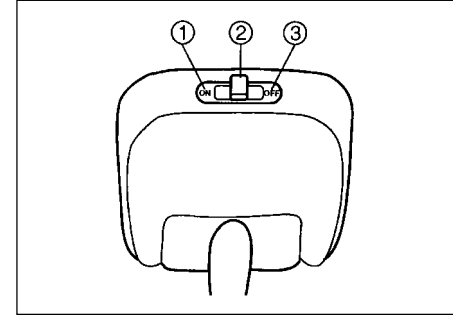
▲ CAUTION

When unhooking and hooking a sun visor, be sure to handle it by the hard plastic parts or the sun visor can be damaged.



70F-04-012

INTERIOR LIGHT SWITCH



70F-04-013

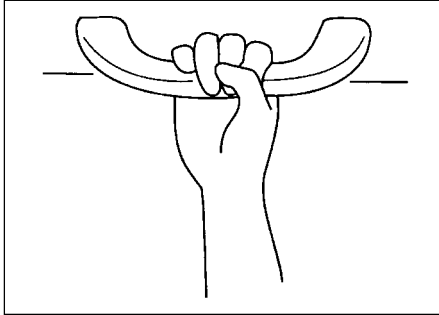
This light switch has three positions which function as described below:

- ① The light comes on and stays on regardless of whether the door is open or closed.
- ② The light comes on when the door is opened.
- ③ The light remains off even when the door is opened.

NOTE:

Only front doors are involved in lighting operation of interior light.

ASSIST GRIPS



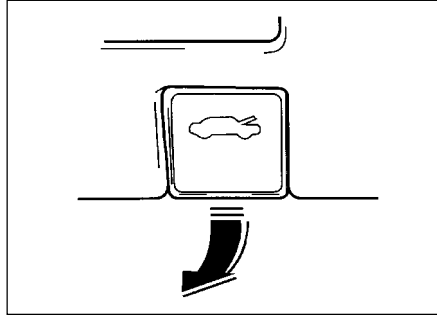
70F-04-015

Assist grips are provided for passenger convenience.

⚠ WARNING

Do not hang items on the assist grips. They could obstruct the driver's view, resulting in an accident, or could be thrown about in an accident or abrupt manoeuvre, causing injury.

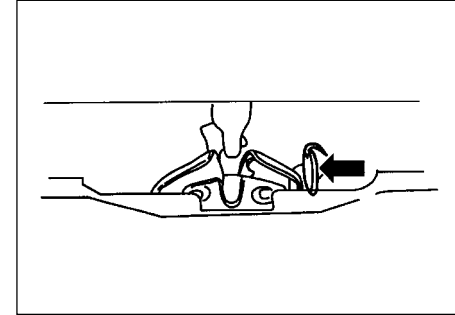
BONNET



72F-06-004

To open the bonnet:

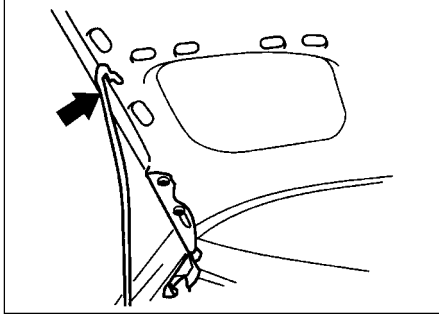
- 1) Pull the bonnet release handle located on the outboard side of the driver's side of the instrument panel. This will disengage the bonnet lock halfway.



72F-06-005

- 2) Push the under-bonnet release lever sideways with your finger, as shown in the illustration. While pushing the lever, lift up the bonnet.

TYRE CHANGING TOOLS

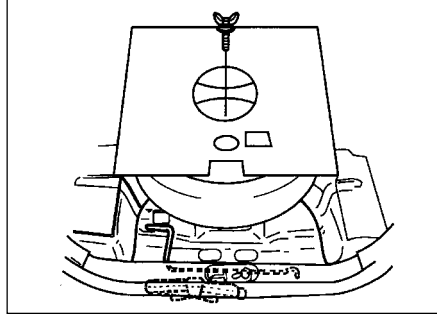


70F-04-019

- 3) Continue to lift up the bonnet until it is high enough to support with the prop rod.

▲ WARNING

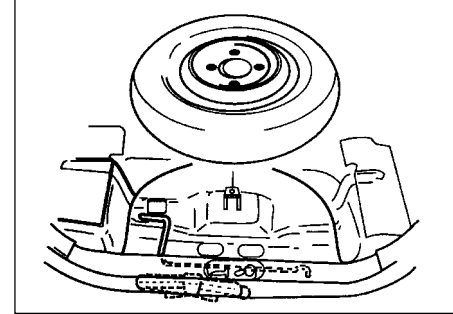
Make sure the bonnet is fully closed and latched before driving. If it is not, it can fly up unexpectedly during driving, obstructing your view and resulting in an accident.



70F-04-020

The jack, wheel wrench and jack handle are stowed in the luggage compartment behind the rear seat.

To remove the jack, turn its shaft counterclockwise and pull the jack out of the storage bracket. To stow the jack, place it in the storage bracket and turn the shaft clockwise until the jack is securely held in place.



70F-04-022

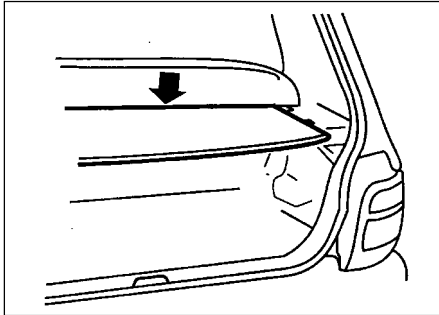
▲ WARNING

The jack should be used only to change wheels. It is important to read the jacking instructions in the EMERGENCY SERVICE section of this manual before attempting to use the jack.

▲ WARNING

After using the jack, jack handle, and wheel wrench, be sure to stow them securely or they can cause injury if an accident occurs.

LUGGAGE COMPARTMENT COVER
(if equipped)



70F-04-023

Luggage or other cargo placed in the luggage compartment are hidden from view by a luggage compartment cover.

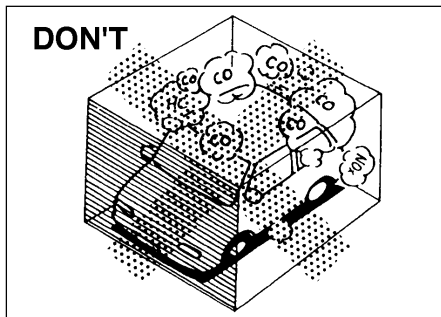
▲ WARNING

Do not carry items on top of the luggage compartment cover, even if they are small and light. Objects on top of the cover could be thrown about in an accident, causing injury, or could obstruct the driver's rear view.

OPERATING YOUR VEHICLE

Exhaust Gas Warning	7-1
Daily Inspection Checklist	7-1
Starting the Engine	7-2
Using the Transmission	7-2
Braking	7-5
Running-in	7-6
Catalytic Converter (if equipped)	7-6
Improving Fuel Economy	7-7
Trailer Towing	7-7

EXHAUST GAS WARNING



70F-05-001E

⚠ WARNING

Avoid breathing exhaust gases. Exhaust gases contain carbon monoxide, a potentially lethal gas that is colourless and odourless. Since carbon monoxide is difficult to detect by itself, be sure to take the following precautions to help prevent carbon monoxide from entering your vehicle.

- Do not leave the engine running in garages or other confined areas.
- Do not park with the engine running for a long period of time, even in an open area. If it is necessary to sit for a short time in a parked vehicle

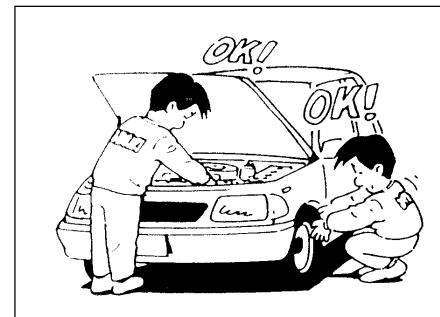
⇒

⚠ WARNING

← with the engine running, make sure the air intake lever is set to “FRESH AIR” and the fan is at high speed.

- Avoid operating the vehicle with the hatchback open. If it is necessary to operate the vehicle with hatchback open, make sure all the windows are closed, and the fan is at high speed with the air intake lever set to “FRESH AIR”.
- To allow proper operation of your vehicle’s ventilation system, keep the air inlet grille in front of the windscreen clear of snow, leaves, or other obstructions at all times.
- Keep the exhaust tailpipe area clear of snow and other material to help reduce the buildup of exhaust gases under the vehicle. This is particularly important when parked in blizzard conditions.
- Have the exhaust system inspected periodically for damage and leaks. Any damage or leaks should be repaired immediately.

DAILY INSPECTION CHECKLIST



70F-05-002

- Before driving:**
- 1) Make sure that windows, mirrors, lights, and reflectors are clean and unobstructed.
 - 2) Check the tyres.
 - 3) Look for fluid leaks.
 - 4) Adjust the seat.
 - 5) Check the brake pedal.
 - 6) Adjust the mirrors.
 - 7) Make sure that you and passengers have properly fastened your seat belts.
 - 8) Make sure that all warning lights come on as the key is turned to the “ON” or “START” position.
 - 9) Check all gauges.
 - 10) Make sure that the brake fluid level warning light is off when the parking brake is released with the ignition switch in “ON” position.

STARTING THE ENGINE

Before starting the engine:

- 1) Make sure the parking brake is applied fully.
- 2) Manual Transmission - Shift into "N" (neutral) and depress the clutch pedal all the way to the floor. Hold it while starting the engine.
Automatic Transmission - Shift into "P" (Park) (If you need to restart the engine while the vehicle is moving, shift into "N").

▲ WARNING

Make sure that the parking brake is applied fully and the transmission is in Neutral (or park for vehicles with an automatic transmission) before attempting to start the engine.

▲ CAUTION

- Stop turning the starter immediately after the engine has started or the starter system can be damaged.
- Do not crank the engine for more than 5 seconds at a time. If the engine doesn't start on the first try, wait about 5-10 seconds before trying again.

Starting a Cold Engine

Engine which is started after 6 hours should be treated as cold engine.

- Pull the choke knob fully if the atmospheric temperature is below 25°C.

NOTE:

Press the accelerator pedal 3-4 times before pulling choke knob if the atmospheric temperature is below -10° C. Release your foot from the pedal.

- Turn the ignition switch to the START position to start the engine.
- Adjust the choke knob position so that the engine runs at a moderately fast idle speed.
- Continue choke control until the engine can pick up speed smoothly with the choke knob fully returned.

▲ CAUTION

To avoid damage to catalytic converter (if equipped), do not drive with choke knob in pulled condition.

Starting a Warm Engine

- Depress the accelerator pedal slightly. (Do not pump the pedal).
- Turn the ignition switch to the START position.

USING THE TRANSMISSION



Push the selector button when shifting the selector lever in the range indicated by this arrow



The selector lever can be shifted freely without pressing the selector button in the range as indicated by this arrow

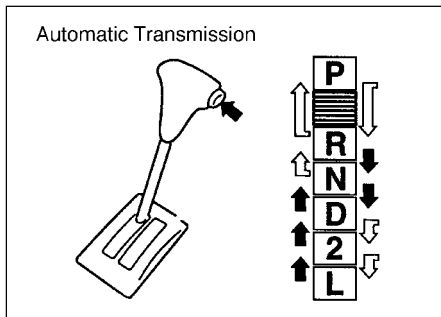
70F-05-003E

Automatic Transmission

▲ CAUTION

When selecting gear, be careful not to overrev the engine or severe engine damage can result.

The gearselector lever has a lock mechanism to help prevent accidental moving into or out of "P" (Park), into "R" (Reverse), from "D" (Drive) to "2" (Low 2) and from "2" (Low 2) to "L" (Low 1). To release the lock, push in the lock button on your side of the gearselector lever before shifting.



72F-07-001E

⚠ WARNING

Always depress the brake pedal before changing from “P” (Park) or “N” (Neutral) to a forward or reverse gear, to help prevent the vehicle from moving unexpectedly when you change.

For all normal driving, put the gearselector lever into “D” (Drive). Use the other gearselector lever positions as described below:

P (Park)

Use this position to lock the transmission when the vehicle is parked or when starting the engine. Move into Park only when the

vehicle is completely stationary.

R (Reverse)

Use this position to reverse the vehicle. Make sure that the vehicle is completely stationary before changing into Reverse.

N (Neutral)

Use this position for starting the engine if the engine stalls and you need to restart it while the vehicle is moving. You may also change into Neutral and depress the brake pedal to hold the vehicle stationary during idling.

D (Drive)

use this position for the normal forward driving. With the selector in “D” range you can get an automatic downshift (change down) by pressing the accelerator pedal. The higher the vehicle speed is, the more you will need to press the accelerator pedal to get a downshift. This will give you increased acceleration for overtaking.

2 (Low 2)

Use this position to provide extra power when climbing hills, or to provide engine braking when going down hills. Do not change into Low 2 at speeds greater than 97 km/h.

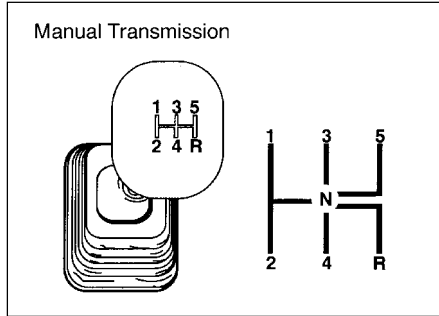
L (Low 1)

Use this position to provide maximum power when climbing steep hills or driving through deep snow or mud, or to provide maximum engine braking when going down steep hills. Do not change into Low 1 at speeds greater than 53 km/h.

⚠ CAUTION

Be sure to take the following precautions to help avoid damage to the automatic transmission:

- Make sure that the vehicle is completely stationary before changing into “P” or “R”.
- Do not change from “P” or “N” to “R”, “D”, “2”, or “L” when the engine is running above idle speed.
- Do not rev the engine with the transmission in a drive position (“R”, “D”, “2”, or “L”) and the front wheels not moving.
- Do not use the accelerator to hold the vehicle on a hill. Use the vehicle’s brakes.
- Do not change into Low 2 at speeds greater than 97 km/h.
- Do not change into Low 1 at speeds greater than 53 km/h.



Manual Transmission

Starting off

To start off, depress and maintain pressure upon the clutch pedal and change into 1st gear. After releasing the parking brake, gradually release the clutch. When you hear a change in the engine's sound (speed), gently apply pressure to the accelerator to keep the engine sound (speed) constant whilst continuing to gradually release the clutch.

Gear changing

All forward gears are synchronized, which provides for quiet, easy changing. Always depress the clutch pedal fully before changing gears. To help gearshift, the

following chart shows the recommended speed range in each gear.

	Min speed	Max. speed
First	–	30 km/h
Second	10 km/h	50 km/h
Third	20 km/h	90 km/h
Fourth	30 km/h	120 km/h
Fifth	40 km/h	Top Speed

⚠ WARNING

- Reduce your speed and change down to a lower gear before going down a long or steep hill. A lower gear will allow the engine to provide braking. Avoid riding the brakes or they may overheat, resulting in brake failure.
- When driving on slippery roads, be sure to slow down before changing down. Excessive and or sudden changes in engine speed may cause loss of traction, which could cause you to lose control.
- Make sure that the vehicle is completely stationary before you change into reverse.

⚠ CAUTION

- To help avoid clutch damage, do not use the clutch pedal as a footrest while driving or use the clutch to keep the vehicle stationary on a hill. Depress the clutch fully when changing gear.
- When changing gears or starting off, do not race the engine. Racing the engine can shorten engine life and prevent smooth operation.

BRAKING

The distance needed to bring any vehicle to a halt increases with the speed of the vehicle. The braking distance needed, for example, at 60 km/h will be approximately 4 times greater than the braking distance needed at 20 km/h. Start to brake the vehicle when there is plenty of distance between your vehicle and the stopping point, and slow down gradually.

▲ WARNING
 If water gets into the brake drums, brake performance may become poor and unpredictable. After driving through water or washing the underside of the vehicle, test the brakes while driving at a slow speed to see if they have maintained their normal effectiveness. If the brakes are less effective than normal, dry them by repeatedly applying the brakes while driving slowly until the brakes have regained their normal effectiveness.

Servo assisted brakes

Your vehicle has servo assisted brakes which works with the assistance of engine vacuum.

▲ WARNING
 Do not switch off the engine while vehicle is in motion, for example, while driving down a hill as this will cause loss of vacuum assistance leading to reduction of braking efficiency substantially.

If servo assistance is lost due to a stalled engine or other failures, the system is still fully operational on reserve power and you can bring the vehicle to a complete stop by pressing the brake pedal once and holding it down. The reserve power is partly used up each time you depress the brake pedal. Apply smooth and constant pressure to the pedal. Do not pump the pedal.

▲ WARNING
 Even without reserve power in the brake system, you can still stop the vehicle by pressing the brake pedal harder than normally required. However, the stopping distance may be longer.

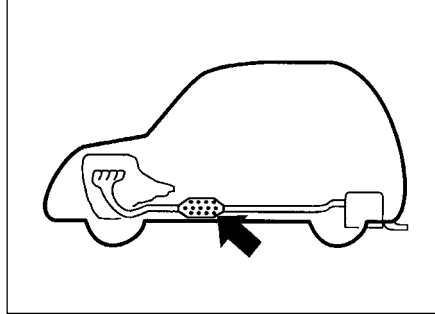
▲ WARNING
 On loose surface where the wheels can easily loose traction (such as gravel, etc.), the stopping distance required for your vehicle may be greater than for a comparable vehicle with a conventional brake system. Allow for extra stopping distance when driving on loose surfaces.

RUNNING-IN

▲ CAUTION

The future performance and reliability of the engine depends on the care and restraint exercised during its early life. It is especially important to observe the following precautions during the initial 1000 km of vehicle operation.

- After starting, do not race the engine. Warm it up gradually.
- Avoid prolonged vehicle operation at a constant speed. Moving parts will bed in better if you vary your speed.
- Do not exceed 100 km/h.
- Start off from a stop slowly. Avoid full throttle starts.
- If possible, avoid hard braking, especially during the first 300 km of driving.
- Do not drive slowly with the transmission in a high gear.
- Drive the vehicle at moderate engine speeds.

CATALYTIC CONVERTER
 (if equipped)


70F-05-005

The purpose of the catalytic converter installed on your vehicle is to convert exhaust pollutants to harmless water vapour, carbon dioxide, and nitrogen. Use of leaded fuel in vehicles equipped with catalytic converters is prohibited, because lead deactivates the pollutant-reducing components of the catalyst system.

It is very important to keep the engine properly tuned. Engine misfiring, which can result from an improperly tuned engine, may cause overheating of the catalyst. This may result in permanent heat damage to the catalyst and other vehicle components.

▲ CAUTION

To minimize the possibility of catalyst or other vehicle damage:

- Maintain the engine in the proper operating condition.
- In the event of an engine malfunction, particularly one involving engine misfire or other apparent loss of performance, have the vehicle serviced promptly.
- Do not turn off the engine or interrupt the ignition when the transmission is in gear and the vehicle is in motion.
- Do not try to start the engine by pushing or towing the vehicle, or coasting down a hill.
- Do not idle the engine with any spark plug wires disconnected or removed, such as during diagnostic testing.
- Do not idle the vehicle for prolonged periods if idling seems rough or there are other malfunctions.
- Do not allow the fuel tank to get near the empty level.



70F-05-006E

⚠ WARNING

Be careful where you park and drive; the catalytic converter and other exhaust components can get very hot. As with any vehicle, do not park or operate this vehicle in areas where combustible materials such as dry grass or leaves can come in contact with a hot exhaust system.

IMPROVING FUEL ECONOMY

The following instructions will help you improve fuel economy.

Avoid excessive idling:

If you are to wait for more than a minute while you are parked, stop the engine and start it again later. When warming up a cold engine, allow the engine to idle until the temperature gauge pointer comes up to the "C" position. In this position, the engine is sufficiently warm for starting off.

Avoid "fast" starts:

Fast starts away from lights or stop signs will consume fuel unnecessarily and shorten engine life. Start off slowly.

Avoid unnecessary stops:

Avoid unnecessary deceleration and stopping. Try to maintain a slow, steady speed whenever possible. Slowing down and then accelerating again uses more fuel.

Keep a steady cruising speed:

Keep as constant a speed as road and traffic conditions will permit.

Keep the air cleaner clean:

A dirty air cleaner will cause the carburation system to supply too much fuel to the engine for the amount of air being supplied. The result is waste of fuel due to incomplete combustion.

Keep weight to a minimum:

The heavier the load, the more fuel the vehicle consumes. Take out any luggage or cargo when it is not necessary.

Keep tyre pressures correct:

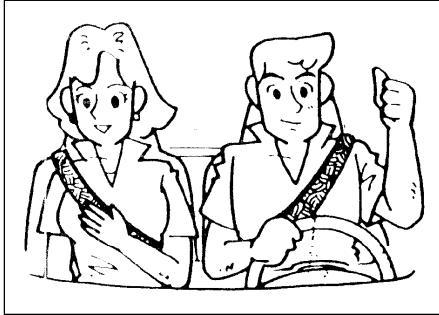
Under-inflation of the tyres can waste fuel due to increased running resistance of the tyres. Keep your tyres inflated to the correct pressure shown on the label on the driver's side door or door lock pillar.

TRAILER TOWING

Your MARUTI was originally designed to carry people and a normal amount of cargo, not to tow a trailer. Maruti does not recommend you use your vehicle to tow a trailer. Towing a trailer can adversely affect handling, durability, and fuel economy.

DRIVING TIPS AND SAFE DRIVING

High Speed Driving	8-1
Driving on Hills	8-1
Driving on Slippery Roads	8-2
Do's and Don'ts for Safe Driving	8-3



70F-06-001

▲ WARNING

- **Wear Your Seat Belts at All Times.** The driver and passengers should be properly restrained at all times, using the seatbelts provided. Refer to the “SEATBELTS” section for instructions on proper use of the seat belts.
- **Never drive while under the influence of alcohol or other drugs.** Alcohol and drugs can seriously impair your ability to drive safely, greatly increasing the risk of injury to yourself and others. You should also avoid driving when you are tired, sick, irritated, or under stress.

HIGH-SPEED DRIVING

When driving at a high-speed, pay attention to the following:

- Stopping distance progressively increases with vehicle speed. Apply the brakes far enough ahead of the stopping point to allow for the extra stopping distance.
- On rainy days, “Aquaplaning” can occur. “Aquaplaning” is the loss of direct contact between the road surface and the vehicle’s tyres due to a water film forming between them. Steering or braking the vehicle while “Aquaplaning” can be very difficult, and loss of control can occur. Keep speed down when the road surface is wet.
- At high speeds, the vehicle may be affected by side winds. Therefore, reduce speed and be prepared for unexpected buffeting, which can occur at the exits of tunnels, when passing by a cut of a hill, or when being overtaken by large vehicles, etc.

DRIVING ON HILLS

- When climbing steep hills, the car may begin to slow down and show a lack of power. If this happens, you should change to a lower gear so that the engine will again be operating in its normal power range. Change rapidly to prevent the car from losing momentum.
- When driving down a hill, the engine should be used for braking by shifting to next lower gear (Do this with EITHER an automatic or manual transmission).

▲ WARNING

Try not to hold the brake pedal down too long or too often while going down a steep or long hill. This could cause the brakes to overheat, resulting in reduced braking efficiency. Failure to take this precaution could result in loss of vehicle control.

▲ CAUTION

When descending a down hill, NEVER turn the ignition key to the “OFF” position. Emission control system and automatic transmission (if equipped) damage may result.

DRIVING ON SLIPPERY ROADS

Under wet road conditions you should drive at a lower speed than on dry roads due to possible slippage of tyres during braking. When driving on icy, snowcovered, or muddy roads, reduce your speed and avoid sudden acceleration, abrupt braking, or sharp steering movements.

Snow Chains

If you must use snow chains to increase tyre traction, observe the following precautions:

- Choose a safe place away from traffic to install the chains.
 - When installing the chains carefully follow the manufacturer's instructions.
 - Install the chains on the front tyres.
 - With the chains on, drive only at slow and moderate speeds.
- **If Your Vehicle Gets Stuck**
If your vehicle gets stuck in snow, mud, or sand, follow the directions below:
 - 1) Change back and forth between a forward range (or first gear for manual transmission) and reverse. This will create a rocking motion which may give you enough momentum to free the vehicle. Press gently on the accelerator to keep wheel spin to a minimum.

Remove your foot from the accelerator while changing gear.

Do not race the engine. Excessive wheel spin will cause the tyres to dig deeper, making it more difficult to free the vehicle.

- 2) If your vehicle remains stuck after a few minutes of rocking, get another vehicle to pull you out.

⚠ WARNING

Do not allow anyone to stand near the vehicle when you are rocking it, and do not spin the wheels faster than an indicated 40 km/h on the speedometer. Personal injury and/or vehicle damage may result from spinning the wheels too fast.

⚠ CAUTION

Do not continue rocking the vehicle for more than a few minutes. Prolonged rocking can cause engine overheating or transmission damage.

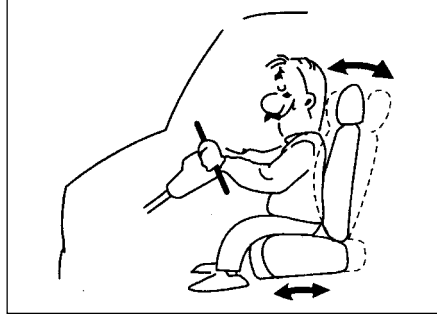
⚠ WARNING

- **Make sure your tyres are in good condition and always maintain the specified tyre pressure. Refer to "TYRES" in the "INSPECTION AND MAINTENANCE" section for details.**
- **Do not use tyres other than those specified by MARUTI. never use different sizes or types of tyres on the front and rear wheels. For information regarding the specified tyres, refer to the "SPECIFICATIONS" section.**
- **Never use oversized tyres or special shock absorbers and springs to raise (jack up) your vehicle. This will change the handling characteristics.**
- **After driving through water, test the brakes while driving at a slow speed to see if they have maintained their normal effectiveness. If the brakes are less effective than normal, dry them by repeatedly applying the brakes while driving slowly until the brakes have regained their normal effectiveness.**

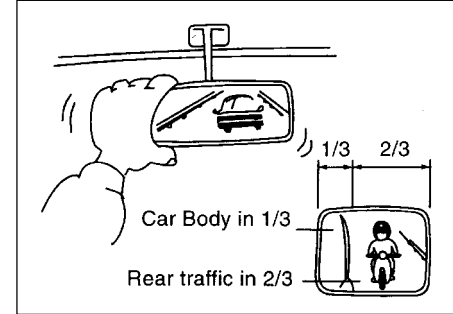
DO'S AND DON'TS FOR SAFE DRIVING

Exercise care in handling your vehicle. Be conscious of not only your own safety but also the safety of others on the road, and thus enjoy the best and most comfortable driving experience.

This section contains basic rules for safe driving. Read it carefully for good understanding of the content so that you can enjoy safe and pleasant driving in your Maruti vehicle.



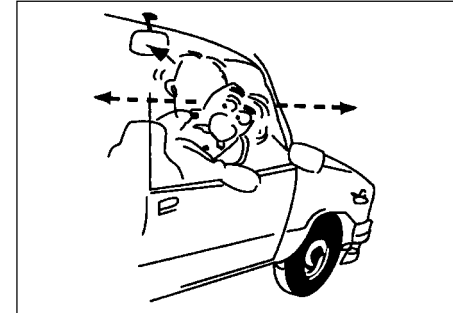
72F-08-001



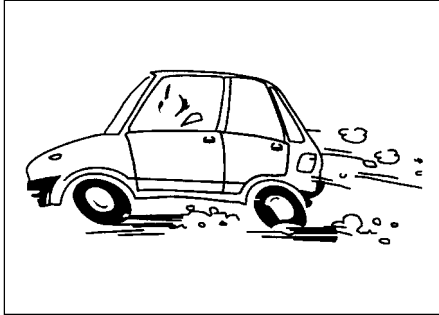
72F-08-002

Starting

1. Adjust the driver's seat for the proper driving posture.
2. Adjust the rear view mirror so as to obtain the best possible rear view.
3. Before moving off, look forward and back to confirm safety.

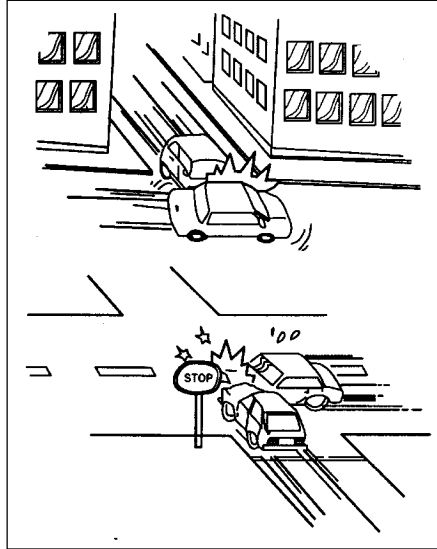


72F-08-003



72F-08-004

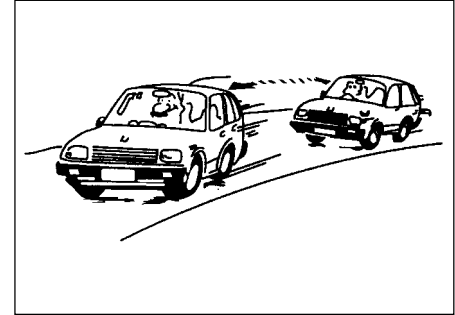
4. Don't start quickly, for it is dangerous and wastes fuel.



72F-08-005

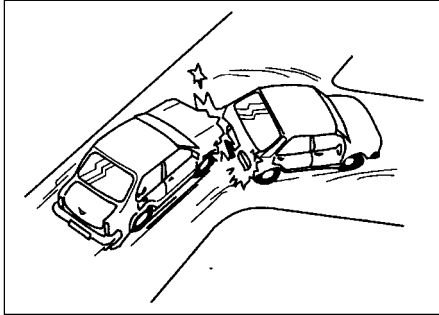
General driving

1. Be sure to stop before the stop light and stop sign. When moving into the intersection without any traffic lights or signs, drive slowly to confirm safety.

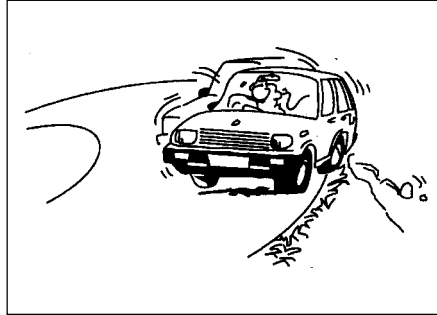


72F-08-006

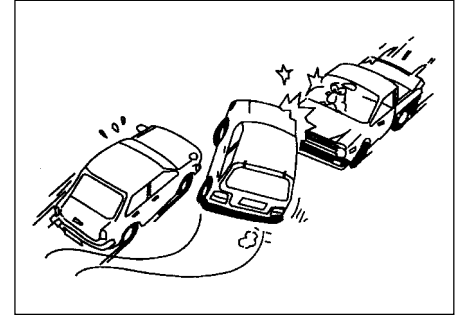
2. Always follow other vehicles at a safe distance in order to prevent a rear-end collision, should the car ahead make a sudden stop.



72F-08-007



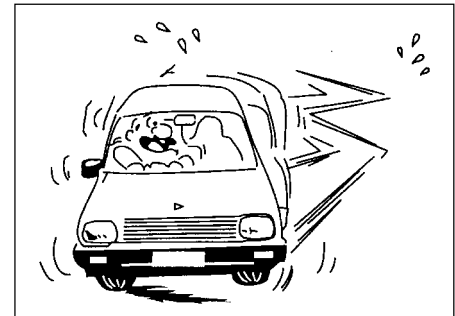
72F-08-008



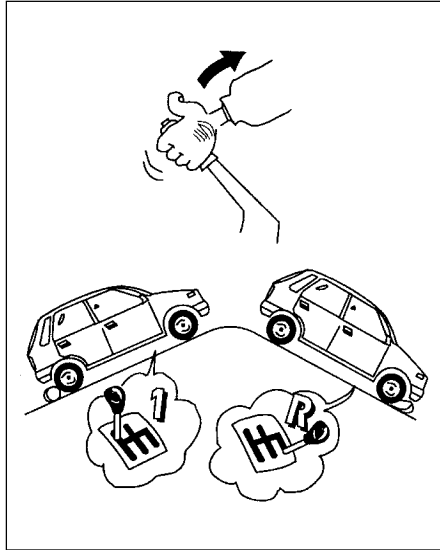
72F-08-009

3. Turn ON the turn signal at least 30 meters before making a turn or changing the lane so as not to be hit from behind.

4. Before entering a corner, decelerate to a safe speed. Don't apply brakes during cornering, or a cornering skid may occur.
5. When overtaking other cars, watch out for the oncoming car and carefully confirm the safety.
6. Don't attempt zigzag driving which will hinder your control over the car and cause an accident.



72F-08-010



72F-08-011

Braking

1. Use the parking brake when parking your car and shift the gear shift lever into the first gear or reverse gear position for the sake of safety.



72F-08-012

2. Don't use handbraking unless unavoidable. It causes the car to skid and a rearend collision occur. It is especially dangerous when the tyres are worn, for they allow a larger skid.

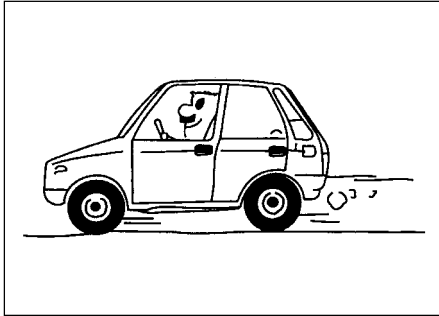
Use foot brake in three stages

- (1) Warn the car behind you
- (2) Gradually apply the brake.
- (3) Bring the car to a halt.

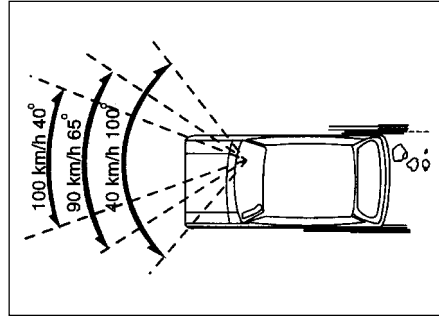


72F-08-013

3. When driving on a downhill, try not to apply the brake but use the engine brake effectively. Overuse of the footbrake may result in total brake failure.



72F-08-014



72F-08-015



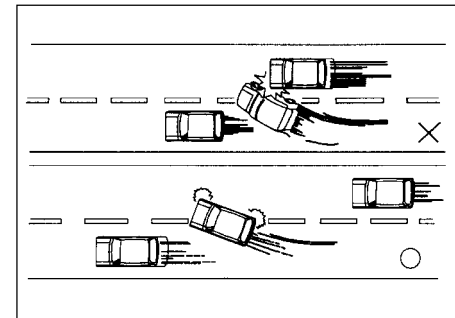
72F-08-016

4. Avoid reckless high speed driving and try to drive at a safe speed suitable for the road conditions while maintaining a constant speed.

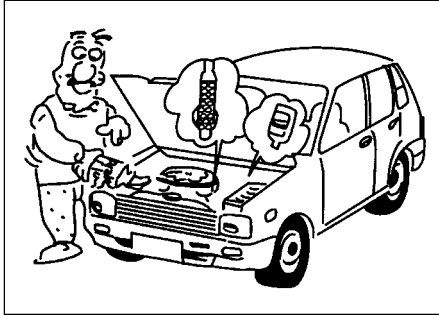
5. The higher the speed, the narrower the driver's visual range becomes. In such a state, it is difficult to anticipate any hazard and the driver feels much fatigued.

6. Never do sharp handling during high speed driving. You will lose your control over your car.

7. When overtaking or changing the lane while driving at a high speed, keep an ample car-to-car distance.



72F-08-017



72F-08-018

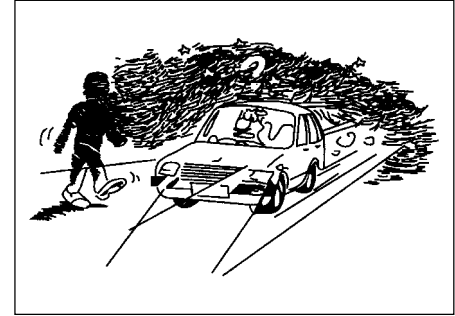
Long distance driving

1. Be sure to perform safety checks before starting a trip.



72F-08-019

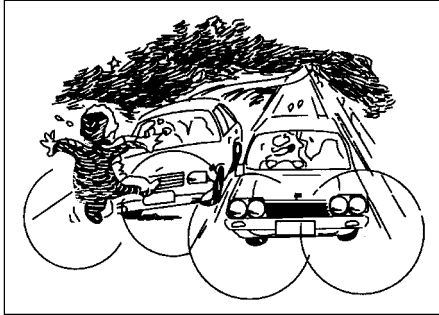
2. Take rest at certain intervals to prevent an accident which may occur when you are sleepy or tired.



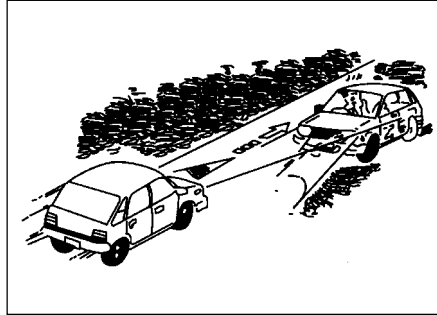
72F-08-020

Night time driving

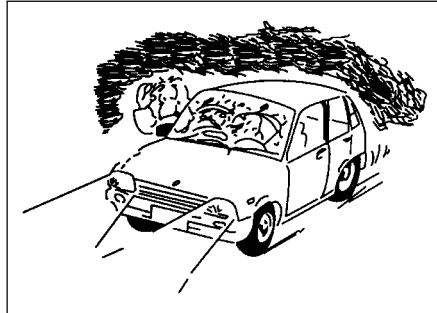
1. Drive more slowly at night than in the daytime, for the visual range is restricted at night.



72F-08-021



72F-08-022



72F-08-023

2. Don't overtake other cars at night. Darkness bothers your sense of speed and hinders your judgement on the car-to-car distance.
3. Don't use the high headlight beam unless its use is inevitable. Its dazzle may blitz the driver of the oncoming car, thus causing an accident.
4. Always keep the window glasses clean. Don't operate the windshield wiper when the windshield glass is dry or the wiper blade and glass may get damaged.

MARGIN FOR SAFETY

It is important to allow yourself a margin for safety during driving so that you can cope with erroneous or unexpected driving of other drivers. For that, observe the following.

- Drive at a safe speed.
- Maintain a sufficient distance between your car and the vehicle ahead.
- Don't force yourself to overtake other vehicles.
- Don't make quick start, hard steering or sudden stops.
- Allow an ample time in the driving schedule.
- Observe traffic rules and regulations.

CONCLUSION

A perfect driver does not exist. The endeavour of every motorist should be to strive for perfection. Safety consciousness not only ensures your safety and the safety of other road users, it also helps reduce the wear and tear on your vehicle, prolongs its life, gives more mileage and ensures a comfortable driving experience.

Follow the do's and don'ts listed, and driving will never be the same again.

INSPECTION AND MAINTENANCE

Tool Kit	9-2
Periodic Maintenance Schedule	9-2
Water Pump Belt	9-7
Engine Oil and Filter	9-8
Gear Oil	9-12
Automatic Transmission Fluid	9-13
Engine Coolant	9-14
Windscreen Washer Fluid	9-16
Air Cleaner	9-16
Spark Plugs	9-17
Brakes	9-18
Steering	9-20
Clutch Pedal	9-20
Tyres	9-21
Battery	9-24
Fuses	9-24
Bulb Replacement	9-27
Wiper Blades	9-31

⚠ WARNING

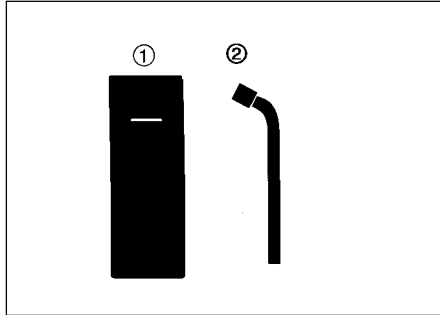
You should take extreme care when working on your vehicle to prevent accidental injury. Here are a few precautions that you should be especially careful to observe:

- Do not leave the engine running in garages or other confined areas.
- When the engine is running, keep hands, clothing, tools, and other objects away from the fan and water pump belt. Even though the fan may not be moving, it can automatically turn on without warning.
- When it is necessary to do service work with the engine running, make sure that the parking brake is applied fully and the transmission is in Neutral (for manual transmission vehicles) or Park (for automatic transmission vehicles).
- Do not touch ignition wires or other ignition system parts when starting the engine or when the engine is running, or you could receive an electric shock.
- Be careful not to touch hot exhaust components such as the manifold, pipes, and mufflers.

**⚠ WARNING**

- Do not allow smoking, sparks, or flames around gasoline or the battery. Flammable fumes are present.
- Do not get under your vehicle if it is supported only with the portable jack provided in your vehicle.
- Be careful not to cause accidental short circuits between the positive and negative battery terminals.
- Keep used oil, coolant, and other fluids away from children and pets. Dispose of used fluids properly; never pour them on the ground, into sewers, etc.

TOOL KIT



72F-09-0018

The work tools illustrated here come with your car. These tools can be used in your checkup or for minor repairs.

- ① Tool bag
- ② Wheel nut wrench

PERIODIC MAINTENANCE SCHEDULE

The following table shows when regular maintenance on your vehicle is required. This table shows in kilometres and months when inspections, adjustments, lubrication and other services should be performed.

⚠ WARNING

Maruti recommends that maintenance on your Maruti vehicle be performed by Maruti Authorised Dealer/Service Station.

⚠ CAUTION

Whenever it becomes necessary to replace parts on your vehicle, it is recommended that you use MARUTI GENUINE PARTS (MGP).

INSPECTION AND MAINTENANCE

72F-74E

A....Adjust.

T....Tighten to specified torque.

R....Replace or change.

L....Lubricate.

I....Inspect and correct or replace if necessary.

C....Clean.

O....Rotate

Note:

This table includes services as scheduled up to 80,000 km mileage. Beyond 80,000 km, carry out the same services at the same intervals respectively.

INTERVAL : km (x 1000) m (months)	Free Inspection			Preventive maintenance Service at cost															
	1 m or 1	6 m or 5	12 m or 10	15	20	25	30	35	40	45	50	55	60	65	70	75	80		
ENGINE																			
1. Water pump drive belt (tension, wear)	A	I	I	I	I	I	I	I	I	I	I	I	R	A	I	I	I		
2. Engine coolant (level, leakage)	I	I	I	I	R	I	I	I	R	I	I	I	R	I	I	I	R		
3. Engine oil (level, leakage) API GRADE SF, SG, SH	R	I	R	I	R	I	R	I	R	I	R	I	R	I	R	I	R		
4. Cooling system hoses and connections (leakage, damage)	I	I	I	I	I	I	I	I	I	I	I	I	I	I	I	I	I		
5. Engine oil filter (leakage)	R	I	R	I	R	I	R	I	R	I	R	I	R	I	R	I	R		
6. Engine bolts (All cylinder head and manifold fixings)	-	T	-	T	-	T	-	T	-	T	-	T	-	T	-	T	-		
7. Engine mounting (loose, damage)	-	T	-	T	-	T	-	T	-	T	-	T	-	T	-	T	-		
8. Valve clearance	-	A	-	-	A	-	-	-	A	-	-	-	A	-	-	-	A		
9. Camshaft timing belt (damage, wear)	-	-	-	-	I	-	-	-	I	-	-	-	I	-	-	-	I		
10. Exhaust system (noise, leakage or otherwise defective)	-	I	I	-	I	-	I	-	I	-	I	-	I	-	I	-	I		
11. Positive crankcase ventilation System (Hoses, connections and valve)	-	I	-	-	I	-	-	-	I	-	-	-	I	-	-	-	I		
IGNITION																			
1. Ignition wiring, (damage, deterioration)	-	-	-	-	I	-	-	-	I	-	-	-	I	-	-	-	I		
2. Distributor cap and rotor (wear, deterioration)	-	-	-	-	I	-	-	-	I	-	-	-	I	-	-	-	I		
3. Spark plugs (clean and adjust the gap)	-	-	R	-	R	-	R	-	R	-	R	-	R	-	R	-	R		
4. Ignition timing	I	I	I	I	I	I	I	I	I	I	I	I	I	I	I	I	I		
5. Distributor advance	-	-	-	-	I	-	-	-	I	-	-	-	I	-	-	-	I		

INTERVAL : km (x 1000) m (months)	Free Inspection			Preventive maintenance Service at cost															
	1 m or 1	6 m or 5	12 m or 10	15	20	25	30	35	40	45	50	55	60	65	70	75	80		
FUEL																			
1. Air cleaner	Paved-road Dusty condition																R		
Clean every 2,500 km or as required. Replace every 40,000 km. More frequent replacement if dust condition is severe.																			
2. Accelerator cable and carburettor shafts	-	I&L	-	I&L	-	I&L	-	I&L	-	I&L	-	I&L	-	I&L	-	I&L	-		
3. Fuel tank cap, fuel lines & connections(leakage,damage)	I	-	-	-	-	-	-	-	I	-	-	-	-	-	-	-	I		
4. Fuel filter (leakage)	I	R	R	R	R	R	R	R	R	R	R	R	R	R	R	R	R		
5. Idle speed and idle mixture	I	I	I	I	I	I	I	I	I	I	I	I	I	I	I	I	I		
CLUTCH AND TRANSMISSION																			
1. Clutch pedal (play)	I	I	I	I	I	I	I	I	I	I	I	I	I	I	I	I	I		
2. Clutch slipping (dragging or excessive damage)	I	I	I	I	I	I	I	I	I	I	I	I	I	I	I	I	I		
3. Manual Transmission/Transfer and Differential oil (level, leakage)	I	I	I	I	R	I	I	I	R	I	I	I	R	I	I	I	R		
4. Automatic Transmission Fluid (level, replacement)	I	I	I	I	I	I	I	I	I	I	I	I	I	I	I	I	R		
5. Hose, Automatic Transmission Fluid	I	I	I	I	I	I	I	I	I	I	I	I	I	I	I	I	R		
DRIVE SHAFTS																			
1. Drive shafts boots (bent of boots damage)	I	I	I	I	I	I	R	I	I	I	I	I	R	I	I	I	I		
BRAKE																			
1. Brake fluid (level, leakage)	Replace every 20,000 km or 2 Years																		
2. Brake pedal (pedal-to-wall clearance)	I	I	I	I	I	I	I	I	I	I	I	I	I	I	I	I	I		
3. Parking brake lever and cable (play, damage)	I	I	I	I	I	I	I	I	I	I	I	I	I	I	I	I	I		
4. a. Brake discs and pads, (wear)	-	I	I	I	I	I	I	I	I	I	I	I	I	I	I	I	I		
b. Brake drums & shoes	-	-	I	-	I	-	I	-	I	-	I	-	I	-	I	-	I		
5. Brake master cylinder and wheel cylinder or calliper (oil leakage)	-	-	-	-	I	-	-	-	R	-	-	-	I	-	-	-	R		
6. Brake hoses and pipes (leakage, damage)	I	I	I	I	I	I	I	I	I	I	I	I	I	I	I	I	I		

INSPECTION AND MAINTENANCE

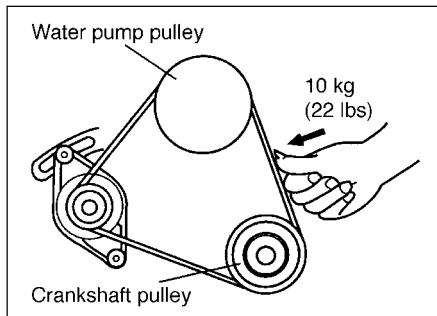
72F-74E

INTERVAL : km (x 1000) m (months)	Free Inspection			Preventive maintenance Service at cost															
	1 m or 1	6 m or 5	12 m or 10	15	20	25	30	35	40	45	50	55	60	65	70	75	80		
WHEEL	Inspect & Rotate every 5,000 km.																		
1. Tyres (air pressure, abnormal wear, crack) ROTATION																			
2. Wheels (damage)																			
3. Front wheel bearings (loose, damage)	-																		
4. Rear wheel bearings (loose, damage)	-																		
FRONT AND REAR SUSPENSION																			
1. Suspension strut (oil leakage, damage)																			
2. Suspension arms and knuckle supports (loose,damage)	-																		
3. Rear spring (damage)	-																		
4. Shock absorbers (oil leakage, damage)																			
5. All bolts and nuts (loose)	-		T		T		T		T		T		T		T		T		
6. Suspension arms and Tension rods	-																		
STEERING																			
1. Steering wheel (play, loose)																			
2. All rods and arms (loose, damage, wear)																			
ELECTRICAL																			
1. Battery electrolyte (level, leakage)																			
2. Wiring harness connection (looseness, damage)																			
3. Lighting system (operation, stains, damage)																			
4. Electric horn (damage)																			
5. System voltage																			
BODY																			
1. All chassis bolts and nuts (tighten)	-		T	-	T	-	T	-	T	-	T	-	T	-	T	-	T		
2. Door locks (function)			I&L		I&L		I&L		I&L		I&L		I&L		I&L		I&L		
ROAD TEST																			
1. Operation of Brakes, Gear shifting & speedometer																			
2. Body and Chassis noise																			

INTERVAL : km (x 1000) m (months)	Free Inspection			Preventive maintenance Service at cost														
	1 m or 1	6 m or 5	12 m or 10	15	20	25	30	35	40	45	50	55	60	65	70	75	80	
AIR CONDITIONER (if equipped)																		
1. Check belt tension	I	I	I	I	I	I	I	I	I	I	I	I	I	I	I	I	I	I
2. Check Receiver Drier bubbles.	I	I	I	I	I	I	I	I	I	I	I	I	I	I	I	I	I	I
3. Tighten compressor mounting bolts	T	T	T	T	T	T	T	T	T	T	T	T	T	T	T	T	T	T
4. Check all hose joints, tighten if necessary	I	I	I	I	I	I	I	I	I	I	I	I	I	I	I	I	I	I
5. Check functioning of Recirc flap	I	I	I	I	I	I	I	I	I	I	I	I	I	I	I	I	I	I
6. Clean condenser with high pressure water	-	C	C	C	C	C	C	C	C	C	C	C	C	C	C	C	C	C
7. Check belt for frayed edges, change if necessary	-	I	I	I	I	I	I	I	I	I	I	I	I	I	I	I	I	I
8. Check all mounting bolts	-	-	-	I	I	I	I	I	I	I	I	I	I	I	I	I	I	I

⚠ WARNING

- All maintenance should be carried out with the ignition switch in the "OFF" position and the car parked securely on the level ground unless otherwise specified.
- If you are in any way unsure of your ability to undertake a task, then do not start it but contact your Maruti dealer to perform the work for you.

WATER PUMP BELT

70F-07-003E

⚠ WARNING

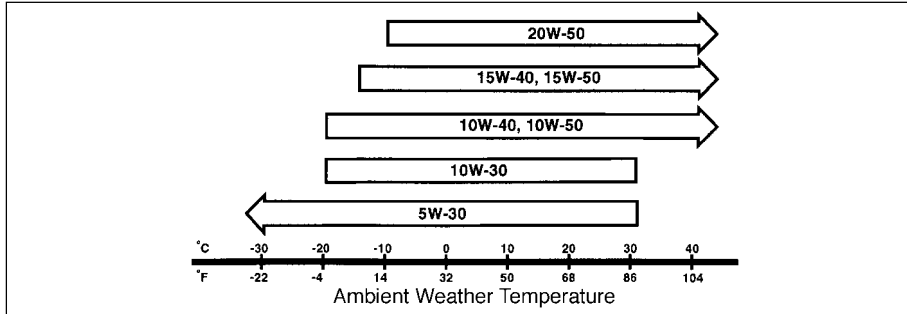
When the engine is running, keep hands, hair, clothing, tools, etc. away from the fan and water pump belt. Even though the fan may not be moving, it can automatically turn on without warning.

6 - 8 mm (0.24 - 0.31 in.)

The belt should also be examined to ensure that it is not damaged. If the belt needs to be replaced or adjusted, have it done by your MARUTI dealer.

Make sure the water pump belt tension is correct. If the belt is too loose, insufficient battery charging, engine overheating, or excessive belt wear can result. When you press the belt with your thumb midway between the pulleys, the belt deflection should be within the specification below.

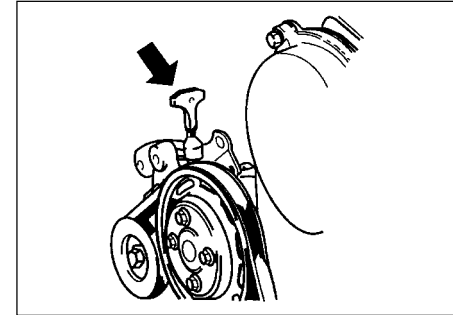
ENGINE OIL AND FILTER



70F-07-004E

Specified oil

Be sure that the engine oil you use comes under the API classification of SF, SG or SH. Select the appropriate oil viscosity according to the above chart.

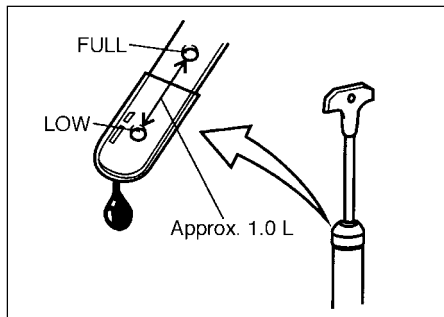


70F-07-005

Oil Level Check

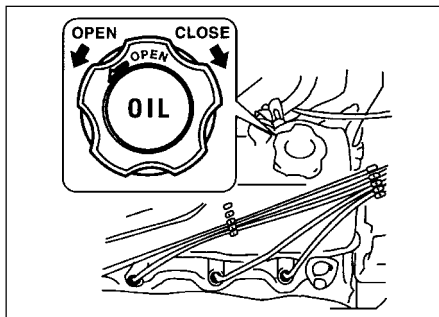
It is important to keep the engine oil at the correct level for proper lubrication of your vehicle's engine. Check the oil level with the vehicle on a level surface. The oil level indication may be inaccurate if the vehicle is on a slope. The oil level should be checked either before starting the engine or at least five minutes after stopping the engine.

Pull out the oil dipstick, wipe oil off with a clean cloth, insert the dipstick all the way into the engine, then remove it again. The oil on the stick should be between the upper and lower limits shown on the stick. If the



70F-07-006E

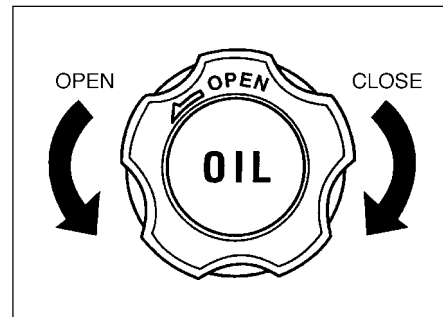
oil level indication is near the lower limit, add enough oil to raise the level to the upper limit.



70F-07-007E

Refilling

Remove the oil filler cap and pour oil slowly through the filler hole to bring the oil level to the upper limit on the dipstick. Be careful not to overfill. Too much oil is almost as bad as too little oil. After refilling, start the engine and allow it to idle for about a minute. Stop the engine, wait for two or three minutes and check the oil level again.

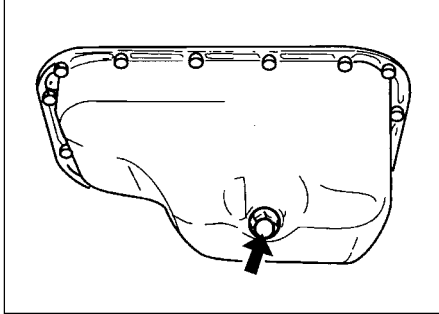


70F-07-008E

Changing Engine Oil and Filter

Drain the engine oil while the engine is still warm.

- 1) Remove the oil filler cap.
- 2) Place a drain pan under the drain plug.
- 3) Using the correct spanner remove the drain plug and drain out the engine oil.



70F-07-009

Tightening torque:
3.0 – 4.0 kg-m (22.0 – 28.5 lb-ft)

▲ WARNING

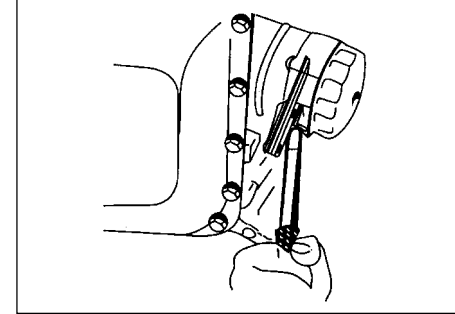
The engine oil temperature may be high enough to burn your fingers when the drain plug is loosened. Wait until the drain plug is cool enough to touch with your bare hands.

▲ WARNING

New and used oil can be hazardous. Children and pets may be harmed by swallowing new or used oil. Keep new and used oil and used oil filters away from children and pets. Continuous contact with used engine oil has been found to cause (skin) cancer in laboratory animals. Brief contact with used oil may irritate skin.

To minimize your exposure to used oil, wear a long-sleeve shirt and moistureproof gloves (such as dishwashing gloves) when changing oil. If oil contacts your skin, wash thoroughly with soap and water. Launder any clothing or rags if wet with oil. Recycle or properly dispose of used oil and filters.

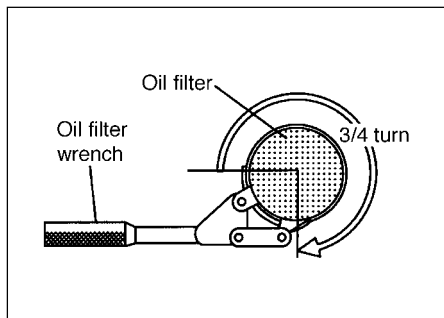
- 4) Reinstall the drain plug and gasket. Tighten the plug to a torque of 3.0 – 4.0 kg-m (22.0 – 28.5 lb-ft).



70F-07-010

Replace the oil filter

- 1) Using an oil filter wrench, turn the oil filter counterclockwise and remove it.
- 2) Using a clean rag, wipe off the mounting surface on the engine where the new filter will be seated.
- 3) Smear a little engine oil around the rubber gasket of the new oil filter.
- 4) Screw on the new filter by hand until the filter gasket contacts the mounting surface.



70F-07-011E

Tightening torque:

1.2 – 1.6 kg-m (8.5 – 11.5 lb-ft)

▲ CAUTION

To tighten the oil filter properly, it is important to accurately identify the position at which the filter gasket first contacts the mounting surface.

- 5) Tighten the filter 3/4 turn from the point of contact with the mounting surface. [or to 1.2 – 1.6 kg-m (8.5 – 11.5 lb-ft)] using an oil filter wrench.

▲ CAUTION

To prevent oil leakage, make sure that the oil filter is tight, but do not overtighten it.

Refill with oil and check for leaks.

- 1) Pour 3.1 litres of oil through the filler hole and install the filler cap.
- 2) Start the engine and look carefully for leaks at the oil filter and drain plug. Run the engine at various speeds for at least 5 minutes.
- 3) Stop the engine and wait for 5 minutes. Check the oil level again and add oil if necessary. Check for leaks again.

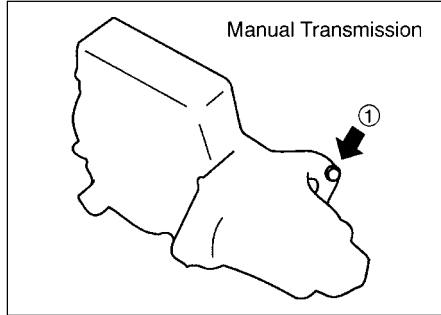
▲ CAUTION

When replacing the oil filter, it is recommended that you use a genuine MARUTI replacement filter.

▲ CAUTION

Oil leaks from around the oil filter or drain plug indicate incorrect installation or gasket damage. If you find any leaks or are not sure that the filter has been properly tightened, have the vehicle inspected by your MARUTI dealer.

GEAR OIL



70F-07-012E

Oil filler and level plug ①

Tightening torque:

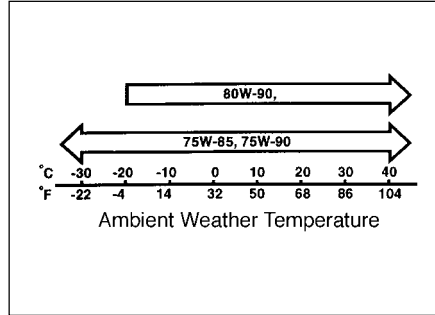
3.6 – 5.4 kg-m

(26.5 – 39.0 lb-ft)

Specified Manual Transmission oil

When adding gear oil, use the appropriate viscosity and grade as shown in the chart below. We highly recommend you use API GL-4 SAE 75W-90 or 80W-90 gear oil.

Type of oil	Gear oil, API GL-4



70F-07-013E

Gear oil level check

To check the gear oil level, use the following procedure:

- 1) Park the vehicle on a level surface with the parking brake applied.
- 2) Clean casing around oil filler plug to remove risk of any loose dirt or debris entering oil filler plug hole. Remove the oil filler plug ①.
- 3) Feel the inside of the hole with your finger. If the oil level comes up to the bottom of the plug hole, the oil level is correct. If so, reinstall the plug.
- 4) If the oil level is low, add gear oil through the filler plug hole ① until the oil level reaches the bottom of the filler hole, then reinstall the plug.

⚠ WARNING

After driving the vehicle, the transmission oil temperature may be high enough to burn you. Wait until the oil filler plug is cool enough to touch with your bare hands before inspecting transmission oil.

⚠ CAUTION

When tightening the plug, apply sealing compound to the plug threads to prevent oil leakage.

Gear oil change

Since special procedures, materials and tools are required, it is recommended that you trust this job to your authorized MARUTI dealer.

AUTOMATIC TRANSMISSION FLUID

Specified Fluid

Use an automatic transmission fluid equivalent to DEXRON®-IIE or DEXRON®-III.

Fluid Level Check

▲ CAUTION

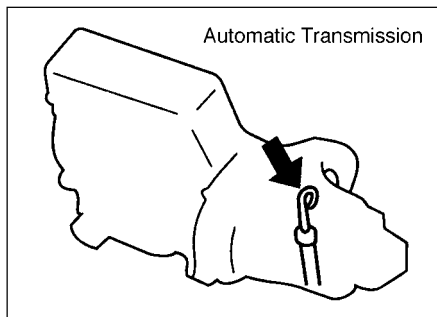
Driving with too much or too little fluid can damage the transmission.

You must check the fluid level with the automatic transmission fluid at normal operating temperature.

To warm up the transmission fluid, drive the vehicle or idle the engine until the temperature gauge indicates normal operating temperature, then drive for ten more minutes.

NOTE:

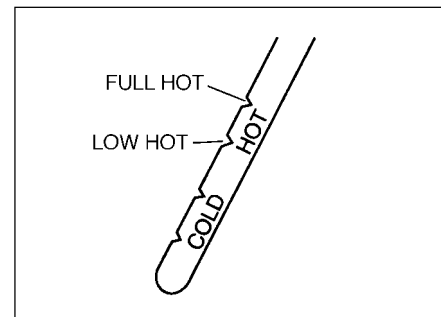
Do not check the fluid level if you have just driven the vehicle for a long time at high speed, if you have driven in city traffic in hot weather, or if the vehicle has been pulling a trailer. Wait until the fluid cools down (about 30 minutes), or the fluid level indication will not be correct.



70F-07-014E

To check the fluid level:

- 1) Park your vehicle on level ground.
- 2) Apply the parking brake and then start the engine in "P" (Park). Let it idle for two minutes and keep it running during the fluid level check.
- 3) With your foot on the brake pedal, move the selector lever through each gear, pausing for about three seconds in each range. Then move it back to the "P" (Park) position.



70F-07-015E

▲ WARNING

Be sure to depress the brake pedal when moving the selector lever, or the vehicle can move suddenly.

- 4) Remove the dipstick, clean it and push it back in until the cap seats, Pull out the dipstick and read the fluid level.

The fluid level should be between the two marks in the "HOT" range on the dipstick.

- 5) Add just enough specified fluid through the dipstick hole to fill the transmission to the proper level. It takes only 0.35 litres to raise the level from "LOW HOT" to "FULL HOT".

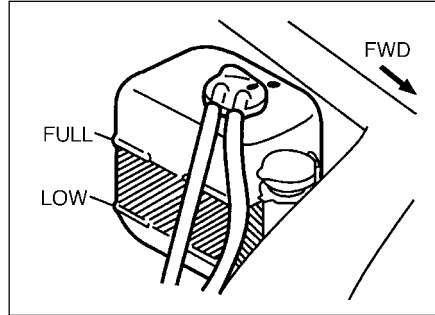
▲ CAUTION

After checking or adding oil, be sure to insert the dipstick securely.

Changing Oil

Since special procedures, materials, and tools are required to change the automatic transmission oil, it is recommended that you trust this job to your authorized MARUTI dealer.

ENGINE COOLANT



Coolant Level Check

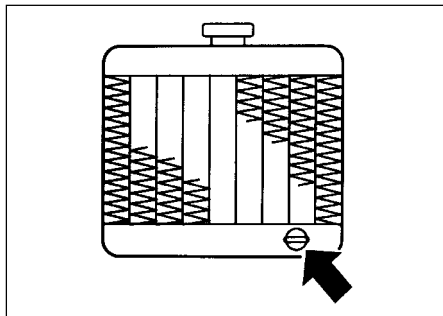
Check the coolant level at the reservoir tank, not at the radiator. With the engine cool, the coolant level should be between the "FULL" and "LOW" marks.

Adding Coolant

If the Coolant level is below the "LOW" mark, more coolant should be added. Remove the reservoir tank cap and add coolant until the reservoir tank level reaches the "FULL" mark. Never fill the reservoir tank above the "FULL" mark.

▲ CAUTION

- When adding or replacing coolant, use a high quality ethylene glycol antifreeze and anticorrosion (Non-Amine type) diluted with distilled water. If the lowest ambient temperature in your area is expected to be -15°C (5°F) or above, make the antifreeze concentration of the mixture you use at least 30% but no more than 50%. If -16°C (3°F) or below, make the concentration at least 50%. If the 50% concentration does not provide adequate protection against freezing, follow the instructions on the antifreeze container to obtain the desired freezing point.
- When putting the cap on the reservoir tank, line up the arrow on the cap and the arrow on the tank, or coolant can leak out.

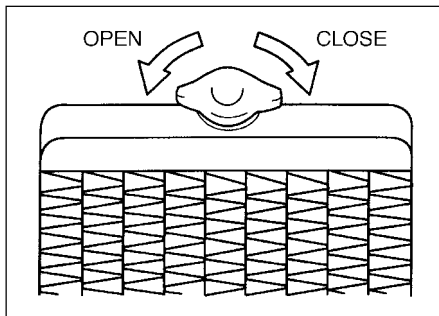


70F-07-017

Coolant Replacement

If your radiator has a drain plug as shown, perform this job as follows. If not, trust this job to your MARUTI dealer as the radiator lower hose must be disconnected for draining.

- 1) When the engine is cool, remove the radiator cap by turning it slowly to the left until a "stop" is felt. Do not press down while turning the cap. Wait until any pressure is released, then press down on the cap and continue turning it anticlockwise.

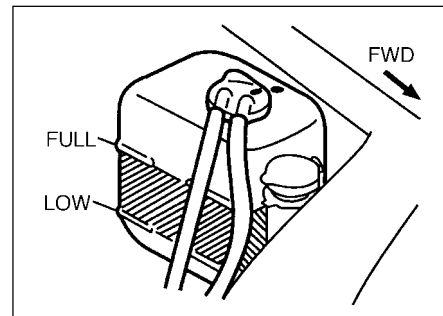


70F-07-019E

⚠ WARNING

It is dangerous to remove the radiator cap when the water temperature is high, because scalding fluid and steam may be blown out under pressure. Wait until the coolant temperature has lowered before removing the cap.

- 2) Remove the reservoir tank cap. Remove the reservoir by lifting it up, and drain the reservoir completely by pouring the coolant in to a suitable container.



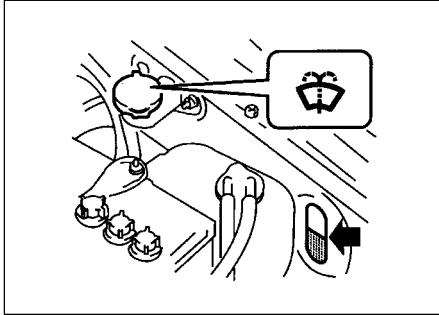
70F-07-016E

- 3) Loosen the drain plug attached to the lower part of the radiator and drain the coolant into a suitable container.
- 4) Tighten the drain plug on the radiator, fill the radiator with coolant and install the radiator cap.
- 5) Refit the reservoir and fill it with the correct coolant to the "FULL" line. Refit the reservoir tank cap, ensuring the arrows are correctly aligned.

⚠ CAUTION

The coolant must be replaced with the vehicle on level ground.

WINDSCREEN WASHER FLUID



72F-09-002

Check that there is washer fluid in the tank. Refill it if necessary. Use a good quality windscreen washer fluid, diluted with water as necessary.

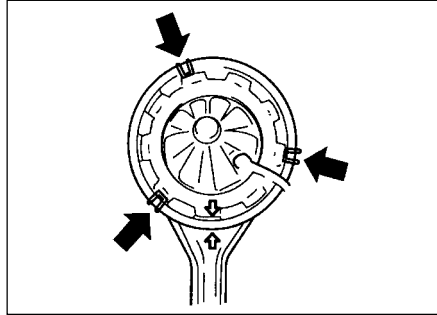
▲ WARNING

Do not use “antifreeze” solution in the windscreen washer reservoir. This can severely impair visibility when sprayed on the windscreen, and can also damage your vehicle’s paint.

▲ CAUTION

Damage may result if the washer motor is operated whilst the fluid or fluid nozzles are frozen or with no fluid in the washer tank.

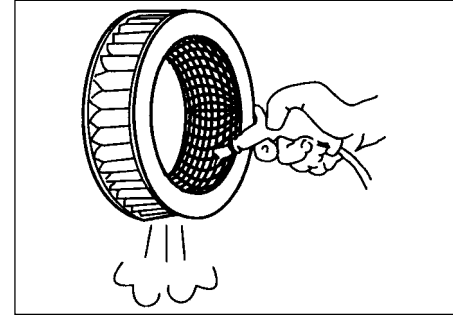
AIR CLEANER



72F-09-003

If the air cleaner is clogged with dust, there will be greater intake resistance, resulting in decreased power output and increased fuel consumption.

Take out the air cleaner element after unhooking the clamps shown in the illustration. Blow off dust on air cleaner element by compressed air from inside of element. If the air cleaner element appears to be dirty, replace it with a new one.

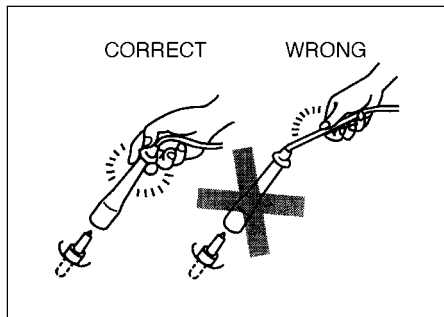


72F-09-004

▲ CAUTION

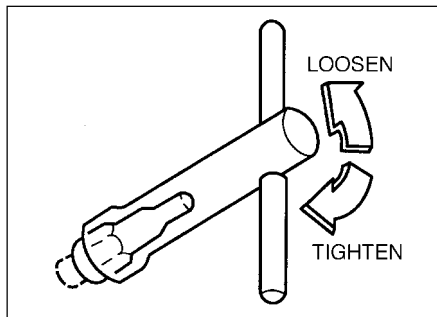
The air cleaner element should be replaced every 40,000 km. More frequent replacement is necessary when you drive under dusty conditions.

SPARK PLUGS

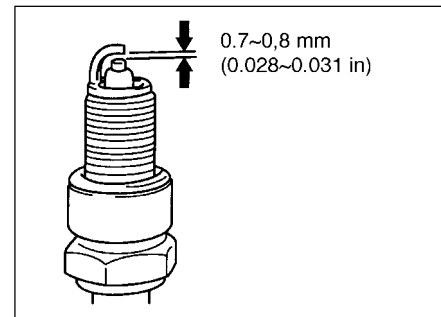


70F-07-025E

You should inspect spark plugs periodically for carbon deposits. When carbon accumulates on a spark plug, a strong spark may not be produced. Remove carbon deposits with a wire or pin and adjust the spark plug gap.



70F-07-026E



72F-09-005E

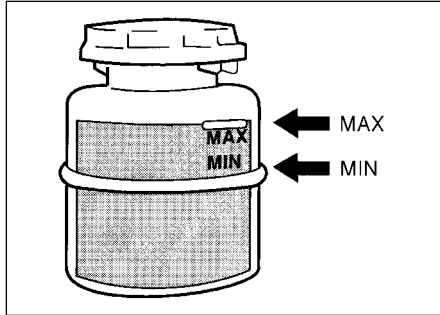
▲ CAUTION

- When disconnecting the spark plug cables, pull on the boot, not on the cable itself. Pulling on the cable can damage it.
- When installing the spark plugs, screw them in with your fingers to avoid stripping the threads. Tighten with a torque wrench to 2.0–3.0 kg-m (20.0–30.0 N-m, 15.0–22.0 lb-ft). Do not allow contaminants to enter the engine through the spark plug holes when the plugs are removed.
- Never use spark plugs with the wrong thread size or length.

▲ CAUTION

When replacing spark plugs, you should use the brand and type specified for your vehicle. For the specified plugs, refer to the "SPECIFICATIONS" section at the end of this book.

BRAKES



70F-07-028E

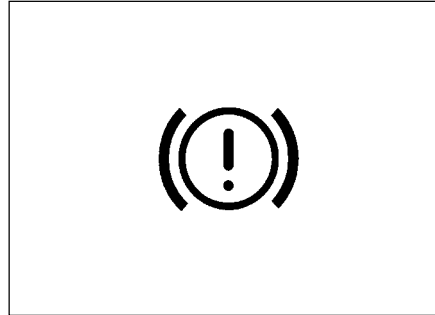
Brake Fluid

Check the brake fluid level by looking at the reservoir in the engine compartment. Check that the fluid level is between the "MAX" and "MIN" lines. If the brake fluid level is near the "MIN" line, fill it up to the "MAX" line with SAE J1703 or DOT-3 brake fluid.

▲ WARNING

Failure to follow the guidelines below can result in personal injury or serious damage to the brake system.

- If the brake fluid in the reservoir drops below a certain level, the brake warning light on the instrument panel will come on (the



70F-07-029

▲ WARNING

engine must be running with the parking brake fully disengaged). Should the light come on, immediately ask your MARUTI dealer to inspect the brake system.

- A rapid fluid loss indicates a leak in the brake system which should be inspected by your MARUTI dealer immediately.
- Brake fluid can harm your eyes and damage painted surfaces. Use caution when refilling the reservoir.

▲ WARNING

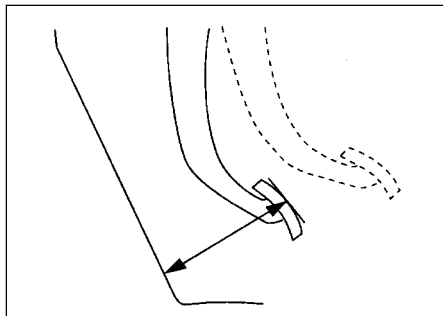
- Do not use any fluid other than SAE J1703 or DOT-3 brake fluid. Do not use reclaimed fluid or fluid that has been stored in old or open containers. It is essential that foreign particles and other liquids are kept out of the brake fluid reservoir.

▲ CAUTION

The brake fluid should be replaced every two years or 40,000 km.

NOTE:

With disc brakes, the fluid level can be expected to gradually fall as the brake pads wear.



70F-07-030

Brake Pedal

With the engine running, measure the distance between the brake pedal and floor wall when the pedal is depressed with approximately 30 kg (66 lbs) of force. The minimum distance required is 90 mm (3.5 in). Since your vehicle's brake system is self-adjusting, there is no need for pedal adjustment. If the pedal to floor wall distance as measured above is less than the minimum distance required, have your vehicle inspected by your MARUTI dealer.

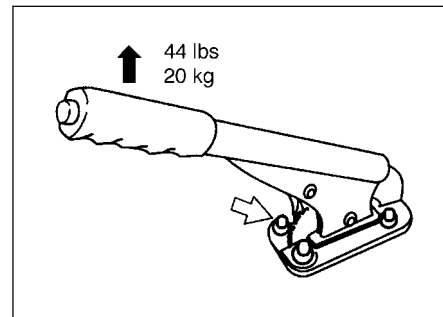
NOTE:

When measuring the distance between the brake pedal and floor wall, be sure not to include any floor covering in the measurement.

⚠ WARNING

If you experience any of the following problems with your vehicle's brake system, have the vehicle inspected immediately by your MARUTI dealer.

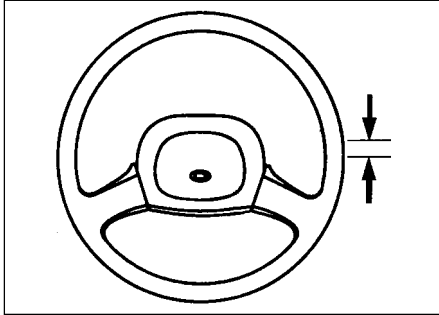
- **Poor braking performance**
- **Uneven braking (Brakes not working uniformly on all wheels.)**
- **Excessive pedal travel**
- **Brake dragging**
- **Excessive noise**
- **Pedal pulsation (Pedal pulsates when depressed.)**



70F-07-031E

Parking brake

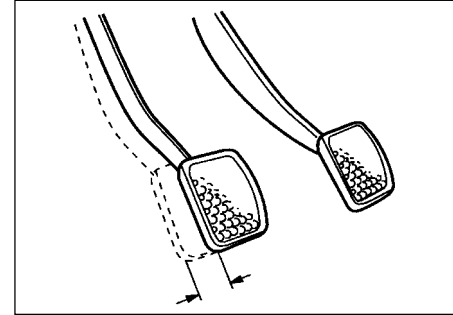
Check the parking brake for proper adjustment by counting the number of clicks made by the ratchet teeth as you slowly pull up on the parking brake lever to the point of full engagement. The parking brake lever should stop between the 3rd and 8th ratchet tooth and the rear wheels should be securely locked. If the parking brake is not properly adjusted or the brakes drag after the lever has been fully released, have the parking brake inspected and/or adjusted by your MARUTI dealer.

STEERING

70F-07-033

Check the play of the steering wheel by gently turning it from left to right and measuring the distance that it moves before you feel slight resistance. The play should be between 0 – 30 mm (0.0 – 1.2 in).

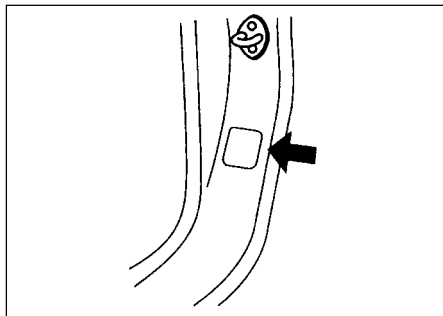
Check that the steering wheel turns easily and smoothly without rattling by turning it all the way to the right and to the left while driving very slowly in an open area. If the amount of free play is outside the specification or you find anything else to be wrong, an inspection must be performed by your MARUTI dealer.

CLUTCH PEDAL

70F-07-034

Measure the clutch pedal play by moving the clutch pedal with your hand and measuring the distance it moves until you feel slight resistance. The play in the clutch pedal should be between 15 – 20 mm (0.6 – 0.8 in). If the play is more or less than the above, or clutch dragging is felt with the pedal fully depressed, have the clutch inspected by your MARUTI dealer.

TYRES



70F-07-035

The front and rear tyre pressure specifications for your vehicle are listed on the Tyre Inflation Pressure Label and in the "SPECIFICATIONS" section at the end of this book. Both the front and rear tyres should have the specified tyre pressure.

Tyre Inspection

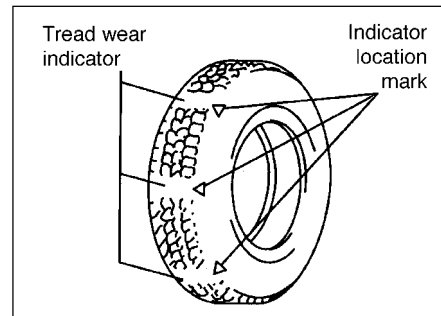
Inspect your vehicle's tyres periodically by performing the following checks:

- 1) Measure the air pressure with a tyre gauge. Adjust the pressure if necessary.

▲ WARNING

- Air pressures should be checked when the tyres are cold or you may get inaccurate readings.
- Check the inflation pressure from time to time while inflating the tyre gradually, until the specified pressure is obtained.
- Never underinflate or overinflate the tyres.

Underinflation can cause unusual handling characteristics or can cause the rim to slip on the tyre bead, resulting in an accident or damage to the tyre or rim. Overinflation can cause the tyre to burst, resulting in personal injury. Overinflation can also cause unusual handling characteristics which may result in an accident.



70F-07-037E

- 2) Check that the depth of the tread groove is more than 1.6 mm (0.06 in). To help you check this, the tyres have moulded-in tread wear indicators in the grooves. When the indicators appear on the tread surface, the remaining depth of the tread is 1.6 mm (0.06 in) or less and the tyre should be replaced.
- 3) Check for abnormal wear, cracks and damage. Any tyres with cracks or other damage should be replaced. If any tyres show abnormal wear, have them inspected by your MARUTI dealer.

⚠ WARNING

Hitting curbs and running over rocks can damage tyres and affect wheel alignment. Be sure to have tyres and wheel alignment checked periodically by your MARUTI dealer.

- 4) Check for loose wheel nuts.
- 5) Check that there are no nails, stones, or other objects sticking into the tyres.

⚠ WARNING

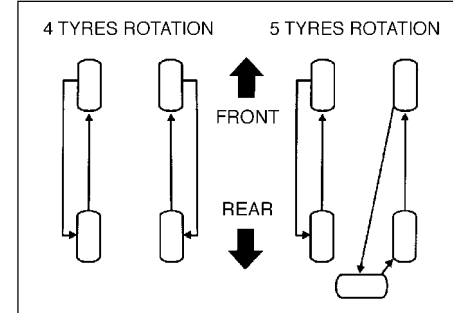
Your MARUTI is equipped with tyres which are all the same type and size. This is important to ensure proper steering and handling of the vehicle. Never mix tyres of different size or type on the four wheels of your vehicle. The size and type of tyres used should be only those approved by MARUTI as standard or optional equipment for your vehicle.

⚠ WARNING

Replacing the wheels and tyres equipped on your vehicle with certain combinations of aftermarket wheels and tyres can significantly change the steering and handling characteristics of your vehicle. Therefore, use only those wheel and tyre combinations approved by MARUTI as standard or optional equipment for your vehicle.

⚠ CAUTION

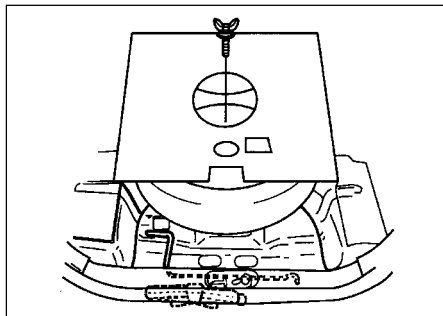
Replacing the original tyres with tyres of a different size may result in false speedometer or odometer readings.



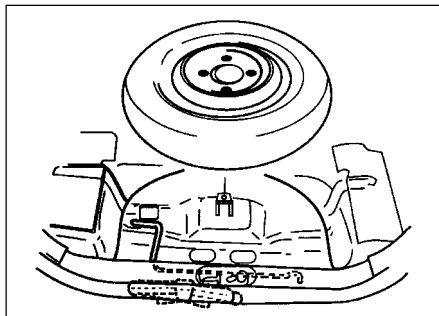
72F-09-006E

Tyre Rotation

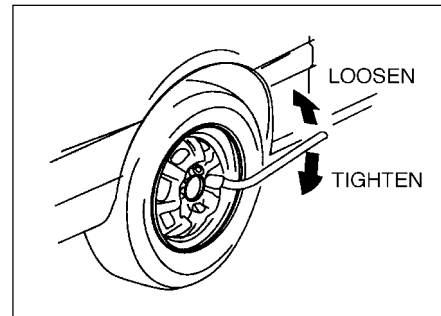
To avoid uneven wear of your tyres and to prolong their life, rotate the tyres as illustrated. Tyres should be rotated every 5,000 km as recommended in the periodic maintenance schedule. After rotation, adjust front and rear tyre pressures to the specification listed on your vehicle's Tyre Inflation Pressure Label.



70F-04-020



70F-04-022

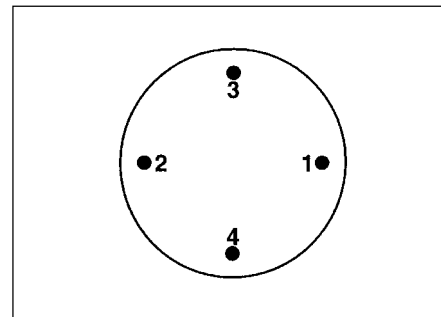


70F-07-039E

Changing Wheels

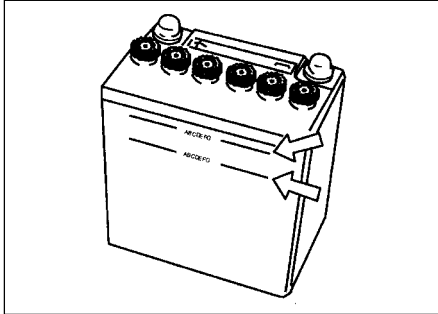
To change a wheel, use the following procedure:

- 1) Remove the jack, tools and spare wheel from the vehicle
- 2) Loosen, but do not remove the wheel nuts.
- 3) Jack up the vehicle (follow the jacking instructions in the EMERGENCY SERVICE section in this manual)
- 4) Remove the wheel nuts and wheel.
- 5) Install the new wheel and replace the wheel nuts with their cone shaped end facing the wheel. Tighten each nut snugly by hand until the wheel is securely seated on the hub.
- 6) Lower the jack and fully tighten the nuts [4.0 – 7.0 kg-m (28.9 – 50.5 lb-ft)] in a crisscross fashion with a wrench as shown in the illustration.



70F-07-040

BATTERY



70F-07-041

⚠ WARNING

Batteries produce flammable hydrogen gas. Keep flames and sparks away from the battery or an explosion may occur. Never smoke when working in the vicinity of the battery .

⚠ WARNING

When checking or servicing the battery, disconnect the negative cable. Be careful not to cause a short circuit by allowing metal objects to contact the battery posts and the vehicle at the same time.

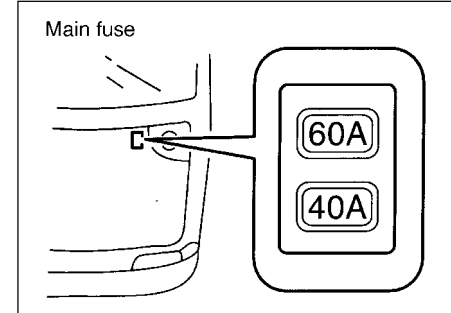
⚠ WARNING

To avoid harm to yourself or damage to your vehicle or battery, follow the jump starting instructions in the EMERGENCY SERVICE section of this manual if it is necessary to jump start your vehicle.

The level of the battery solution must be kept between the "UPPER" and the "LOWER" level lines at all times. If the level is found to be below the "LOWER" level line, add distilled water to the "UPPER" level line. You should periodically check the battery, battery terminals, and battery hold-down bracket for corrosion. Remove corrosion using a stiff brush and ammonia mixed with water, or baking soda mixed with water. After removing corrosion, rinse with clean water.

If your vehicle is not going to be driven for a month or longer, disconnect the cable from the negative terminal of the battery to help prevent discharge.

FUSES



70F-07-042E

This vehicle has two types of fuses, as described below :

Main Fuses - The main fuses takes current directly from the battery.

Individual Fuses - These fuses are in the fuse box and for individual electrical circuits.

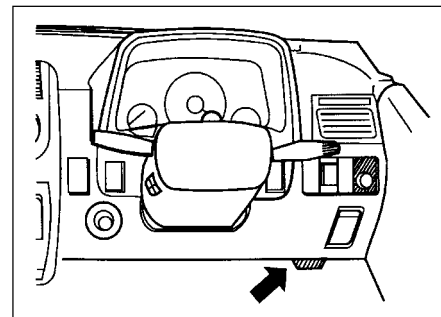
PRIMARY FUSES	INDIVIDUAL FUSES
60A	CIGAR/RADIO, I.G. COIL/METER, WIPER/WASHER, REAR DEF, TURN/BACK, HEATER, RDTR FAN.
40A	HEAD-R, HEAD-L, STOP/DOME, HAZARD/HORN, REGISTRATION, TAIL R-L

Main Fuses

The main fuses are located in the engine compartment. If the main fuse blows, no electrical component in the corresponding load group will function. When replacing the main fuse, use a genuine MARUTI replacement.

⚠ WARNING

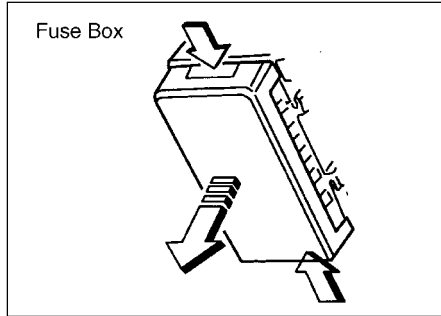
If the main fuse blows, be sure to have your vehicle inspected by an authorized MARUTI dealer. Always use a genuine MARUTI replacement. Never use a substitute such as a wire even for a temporary repair, or extensive electrical damage and a fire can result.



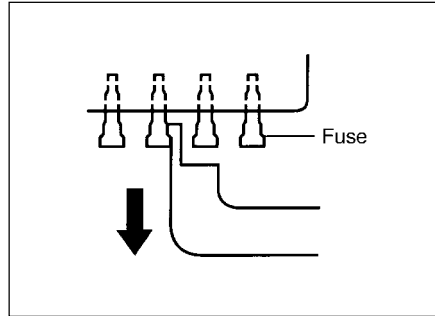
72F-09-007

Fuse Box

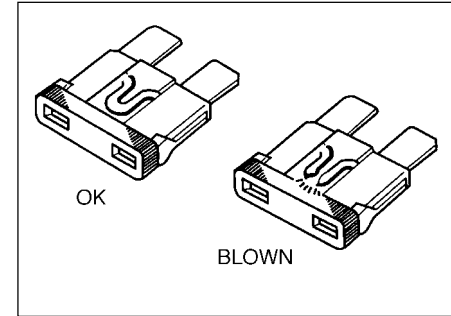
The fuse box is located under the driver's side of the dashboard. Remove the fuse box cover by pushing in at both ends and pulling off the cover. To identify the amperage and location, refer to the fuse list shown on the back of the fuse box cover. To remove a fuse, hook the fuse with the end hook on the fuse box cover, and pull out the fuse.



70F-07-044E



70F-07-045E



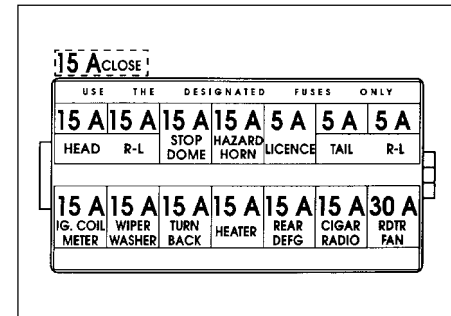
70F-07-046E

⚠ WARNING

Always be sure to replace a blown fuse with a fuse of the correct amperage. Never use a substitute such as aluminium foil or wire to replace a blown fuse. If you replace a fuse and the new one blows in a short period of time, you may have a major electrical problem. Have your vehicle inspected immediately by your MARUTI dealer.

NOTE:

Make sure that the fuse box always carries three spare fuses 5A, 15A and 30A.

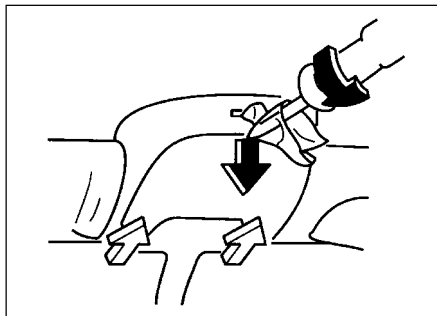


70F-07-047

BULB REPLACEMENT

▲ CAUTION

Frequent replacement of a bulb indicates the need for an inspection of the electrical system. This should be carried out by your MARUTI dealer.

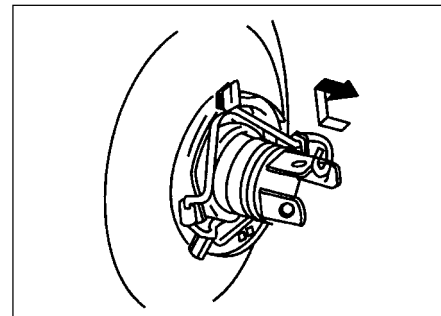


70F-07-048

Interior Light

Pull down the lens by using a plain screw driver covered with a soft cloth as shown, then pull it rearward. To install it, hook its front end in and push it up.

The bulb can be removed by simply pulling it out. When replacing the bulb, make sure that the contact springs are holding the bulb securely.



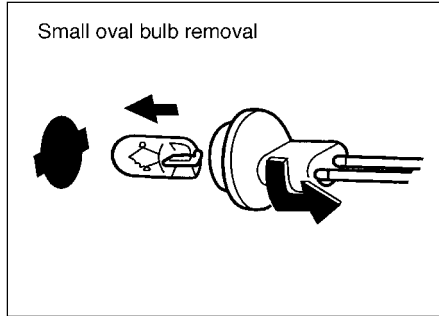
70F-07-049

Headlights

Open the bonnet. Remove the socket and rubber cover. Then unhook the bulb holding spring and replace the bulb.

Note:

Your vehicle is provided with two spare headlight bulbs for replacement in emergency.

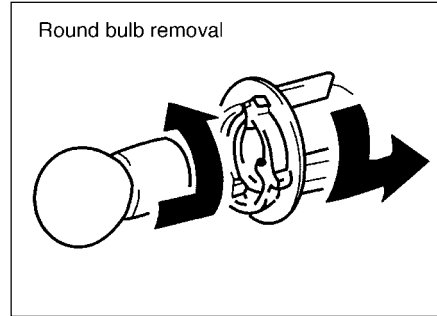


70F-07-050E

Front Clearance/Turn Signal Light, Side Turn Signal Light, rear Combination Light, Registration Plate Light.

To remove a bulb holder from a light housing, turn the holder counterclockwise and pull it out. To install the holder, push the holder in and turn it clockwise.

Two types (small oval and round) of bulb are used for these lights. To remove and install a small oval bulb, simply pull out or push in the bulb.



70F-07-051E

To remove a round bulb from a bulb holder, push in the bulb and turn it counterclockwise. To install a new bulb, push it in and turn it clockwise. You can access the individual bulb holders as described below:



70F-07-052

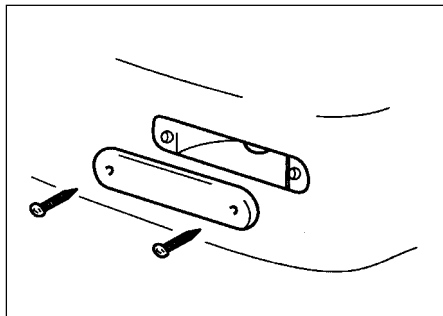
Front clearance light

TYPE-1

Open the bonnet and support it with the prop rod.

TYPE-2 (Zen-Classic)

Trust this job to your authorized MARUTI dealer.



70F-07-053

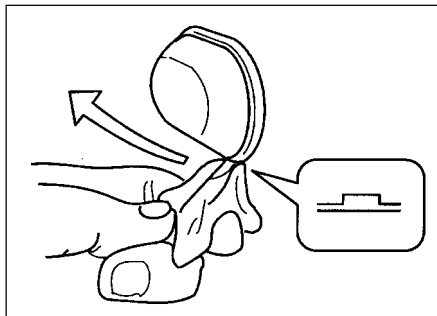
Front turn signal light

TYPE-1

Undo the two screws and remove the lens.

TYPE-2 (Zen-Classic)

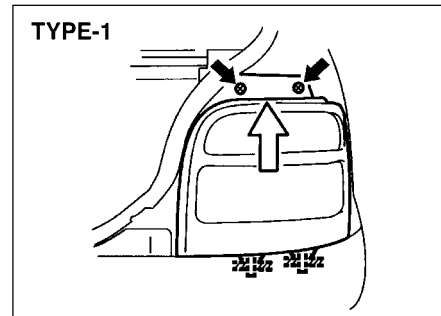
Trust this job to your authorized MARUTI dealer.



70F-07-054

Side turn signal light

Remove the lens by using a plain screw driver covered with a soft cloth.



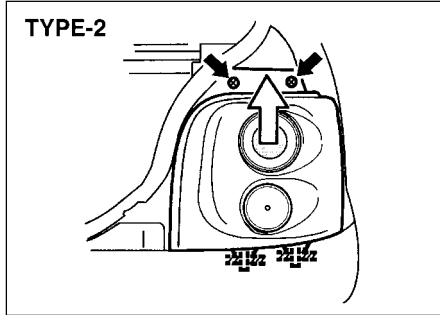
72F-09-009E

TYPE-1

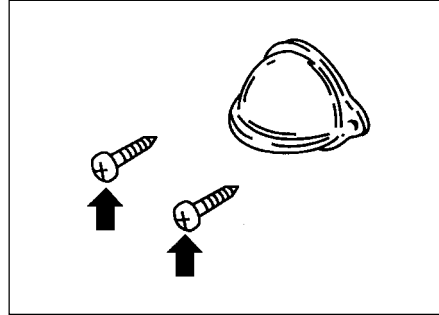
Rear combination light (tail, stop, turn signal, etc.)

Undo the two screws that secure the housing and remove the housing by sliding in the direction of the white arrow in the illustration.

The wiring grommet may come off during bulb replacement. Ensure that the grommet is in place before refitting the housing.



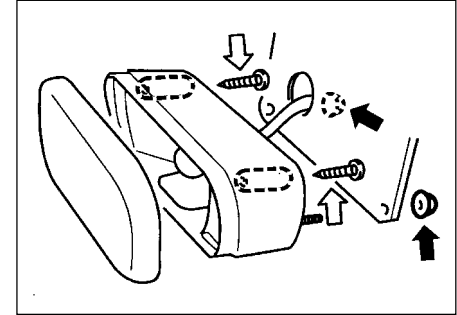
72F-09-010E



70F-07-056

Registration plate light

Undo the two screws and remove the light housing.

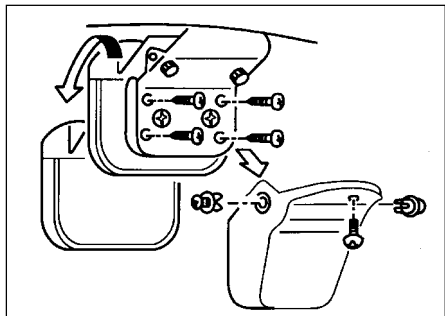


70F-07-057

Rear fog light (if equipped)

Detach the light housing by removing the nuts and remove the lens by undoing the screws.

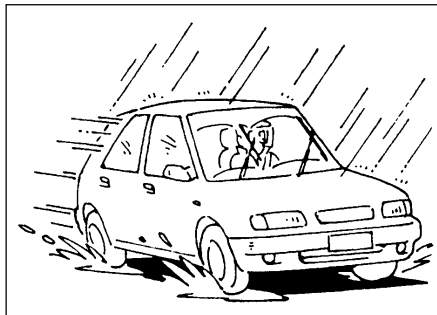
WIPER BLADES



70F-07-058

High mount stop lamp (if equipped)

Open the hatch back. Remove the lower cover by undoing the screw and removing the side pins. Remove the upper cover by undoing the four screws.



70F-07-059

If the wiper blades become brittle or damaged, or make streaks when wiping, replace the wiper blades.

To install new wiper blades, follow the procedure below.

▲ CAUTION

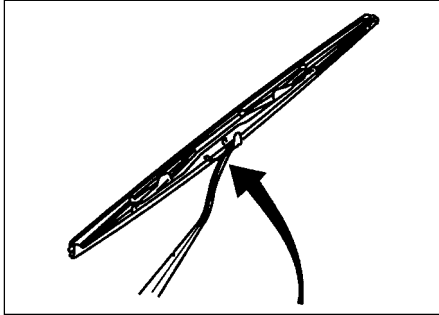
To avoid scratching or breaking the window, do not let the wiper arm strike the windshield while replacing the wiper blade.

NOTE:

Some wiper blades may be different from the ones described here depending on vehicle specifications. If so consult your dealer for proper replacement method.

▲ WARNING

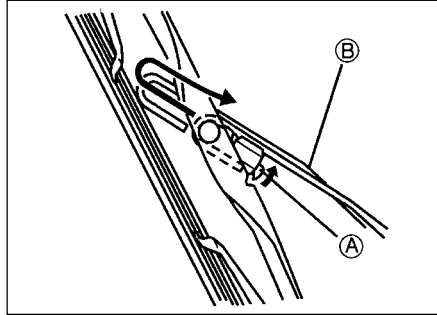
The left and the right wiper arm assemblies are different from each other. In case you have to remove the wiper arm assemblies for any reason, remember not to interchange the two while fitting them back. Wrong fitment may lead to windshield breakage.



70F-07-060

For windshield wipers:

1. Hold the wiper arm away from the window.



72F-09-008

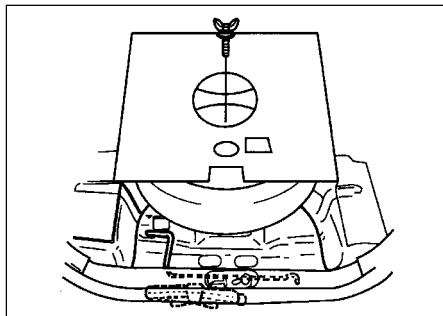
2. Squeeze lock lever (A) towards wiper arms (B) and remove the wiper frame from the arm as shown.

MEMO

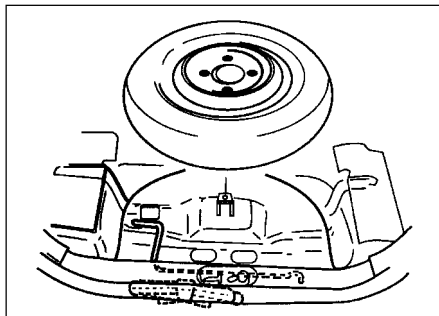
EMERGENCY SERVICE

Jacking Instructions.....	10-1
Jump Starting Instructions.....	10-2
Towing	10-4
Emergency Remedies	10-4

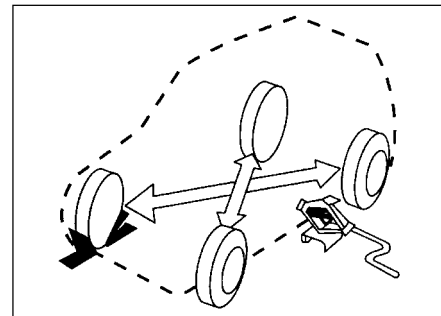
JACKING INSTRUCTIONS



70F-04-020



70F-04-022



70F-08-001

- 1) Park the vehicle securely on hard level ground.
- 2) Choke the front and rear wheel diagonally opposite the wheel to be changed.
- 3) Switch on the hazard warning flasher if your vehicle is in or near traffic.
- 4) Slacken but do not remove wheel nuts on the wheel to be changed.
- 5) Position the jack vertically and raise the jack by turning the jack handle clockwise until the jack head fits the front suspension arm or the rear axle as shown overleaf.

▲ CAUTION

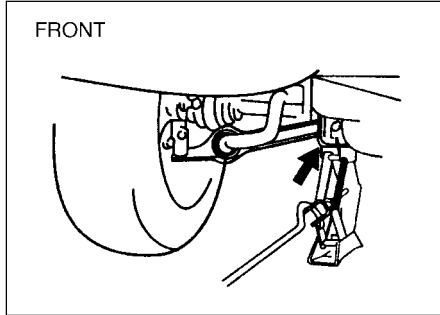
Do not put the jack head on to the lateral rod, or the lateral rod will be damaged.

- 6) Continue to raise the jack slowly and smoothly until the tyre clears the ground. Do not raise the vehicle more than necessary.

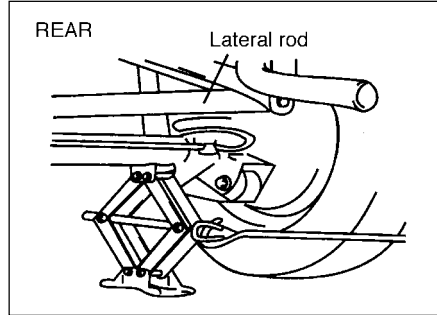
▲ WARNING

- Use the jack only to change wheels.
- Never jack up the vehicle on an inclined surface.
- Never raise the vehicle with the jack in a location other than the place specified in the illustration near the wheel to be changed.
- Make sure that the jack is raised at least 2 inches (51 mm) before it contacts the vehicle. Use of the jack when it is within 2 inches of being fully collapsed may result in failure of the jack.





70F-08-002E



70F-08-003E

⚠ WARNING



- Never get under the vehicle when it is supported by the jack.
- Never run the engine when the vehicle is supported by the jack and never allow passengers to remain in the vehicle.

JUMP STARTING INSTRUCTIONS

⚠ WARNING

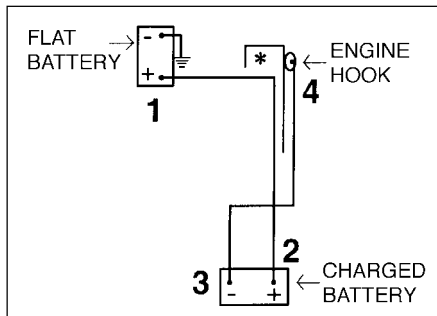
- Never attempt to jump start your vehicle if the battery appears to be frozen. Batteries in this condition may explode or rupture if jump starting is attempted.
- When making jump lead connections, be certain that your hands and the jump leads remain clear from pulleys, belts, or fans.
- Batteries produce flammable hydrogen gas. Keep flames and sparks away from the battery or an explosion may occur. Never smoke when working in the vicinity of the battery.
- If the booster battery you use for jump starting is installed in another vehicle, make sure the two vehicles are not touching each other.
- If your battery discharges repeatedly, for no apparent reason, have your vehicle inspected by an authorized MARUTI dealer. →

⚠ WARNING

- To avoid harm to yourself or damage to your vehicle or battery, follow the jump starting instructions below precisely and in order. If you are in doubt, call for qualified road service.

⚠ CAUTION

Your vehicle should not be started by pushing or towing. This starting method could result in permanent damage to the catalytic converter. Use jump leads to start a vehicle with a weak or flat battery.



70F-08-004E

When jump starting your vehicle, use the following procedure:

- 1) Use only a 12 volt battery to jump start your vehicle. Position the good 12V battery close to your vehicle so that the jump leads will reach both batteries. When using a battery installed on another vehicle, DO NOT LET THE VEHICLES TOUCH. Apply the parking brakes fully on both vehicles.
- 2) Turn off all vehicle accessories, except those necessary for safety reasons (for example, headlights or hazard lights).

3) Make jump lead connections as follows:

- a) Connect one end of the first jump lead to the positive (+) terminal of the flat battery.
- b) Connect the other end to the positive (+) terminal of the booster battery.
- c) Connect one end of the second jump lead to the negative (-) terminal of the booster battery.
- d) Make the final connection to an unpainted, heavy metal part of the engine of the vehicle with the flat battery.

⚠ WARNING

Never connect the jump lead directly to the negative (-) terminal of the discharged battery, or an explosion may occur.

- 4) If the booster battery you are using is fitted to another vehicle, start the engine of the vehicle with the booster battery. Run the engine at moderate speed.
- 5) Start the engine of the vehicle with the flat battery.
- 6) Remove the jump leads in the exact reverse order in which you connected them.

TOWING

If you need to have your vehicle towed, contact a professional service.

▲ CAUTION

To help avoid damage to your vehicle during towing, proper equipment and towing procedures must be used.

Automatic Transmission

Your vehicle may be towed from the front with the front wheels lifted, or from the rear with the rear wheels lifted and a dolly under the front wheels. Before towing, make sure that the parking brake is released.

▲ CAUTION

Towing your vehicle with the front wheels on the ground can result in damage to the automatic transmission.

Manual Transmission

Whenever possible, your vehicle should be towed from the front with the front wheels lifted. If the steering and drivetrain are in good condition, your vehicle may be towed from the rear with the rear wheels lifted and the front wheels on the ground. Before towing, make sure the steering is unlocked and the transmission is in neutral.

EMERGENCY REMEDIES

If the Starter Does Not Operate:

- 1) Try turning the ignition switch to the "START" position with the headlights turned on to determine the battery condition. If the headlights go excessively dim or go off, it usually means that either the battery is flat or the battery terminal contact is poor. Recharge the battery or correct battery terminal contact as necessary.
- 2) If the headlights remain bright, check the fuses. If the reason for failure of the starter is not obvious, there may be a major electrical problem. Have the vehicle inspected by your authorized MARUTI dealer.

If the Engine is Flooded

If the engine is flooded with petrol, it may be hard to start. If this happens, press the accelerator pedal all the way to the floor and hold it there while cranking the engine. (Do not operate the starter motor for more than 5 seconds). Release the accelerator as soon as the engine has started.

If the Engine Overheats

The engine could overheat temporarily under severe driving conditions. If the engine coolant temperature gauge indicates overheating during driving:

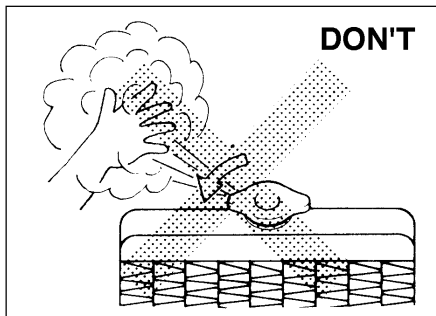
- 1) Turn off the air conditioner, if equipped.
- 2) Take the vehicle to a safe place and park.
- 3) Let the engine run at normal idle speed for a few minutes until the indicator is within the normal, acceptable temperature range between "H" and "C".

▲ WARNING

If you see or hear escaping steam, stop the vehicle in a safe place and immediately turn off the engine to let it cool. Do not open the bonnet when steam is present. When the steam can no longer be seen or heard, open the hood to see if the coolant is still boiling. If it is, you must wait until it stops boiling before you proceed.

If the temperature indication does not come down to within the normal, acceptable range:

- 1) Turn off the engine and check that the water pump belt and pulleys are not damaged or slipping. If any abnormality is found, correct it.
- 2) Check the coolant level in the reservoir. If it is found to be lower than the "LOW" line, look for leaks at the radiator, water pump, and radiator and heater hoses. If you locate any leaks that may have caused the overheating, do not run the engine until these problems have been corrected.
- 3) If you do not find a leak, carefully add coolant to the reservoir and then the radiator, if necessary. (Refer to "ENGINE COOLANT" in the "INSPECTION AND MAINTENANCE" section.)



70F-07-018E

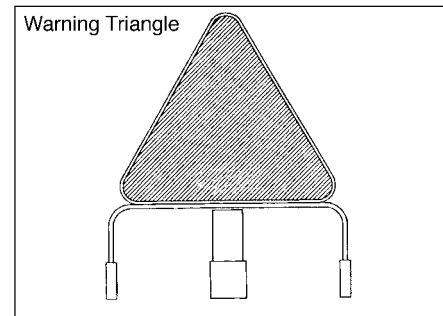
▲ WARNING

It is dangerous to remove the radiator cap when the water temperature is high, because scalding fluid and steam may be blown out under pressure. The cap should only be taken off when the coolant temperature has lowered.

▲ WARNING

To help prevent personal injury, keep hands, tools and clothing away from the engine cooling fan and air-conditioner fan (if equipped). These electric fans can automatically turn on without warning.

WARNING TRIANGLE



843-10-004

In case of vehicle break-down or during emergency stopping where your vehicle could become a potential traffic hazard, please keep the warning triangle, provided with your vehicle, on the pathway (road) behind the vehicle so as to warn the approaching traffic, at an approximate distance of 5-15 m, such that reflecting side of the triangle faces the rear. Please activate the hazard warning lamps before alighting the vehicle to keep the warning triangle.

BODY WORK CARE

Corrosion Prevention	11-1
Vehicle Cleaning	11-2

CORROSION PREVENTION

It is important to take good care of your vehicle to protect it from corrosion.

Listed below are instructions for how to maintain your vehicle to prevent corrosion. Please read and follow these instructions carefully.

Important Information About Corrosion**Common causes of corrosion**

- 1) Accumulation of road salt, dirt, moisture, or chemicals in hard to reach areas of the vehicle underbody or frame.
- 2) Chipping, scratches and any damage to treated or painted metal surfaces resulting from minor accidents or abrasion by stones and gravel.

Environmental conditions which accelerate corrosion

- 1) Road salt, dust control chemicals, sea air or industrial pollution will all accelerate the corrosion of metal.
- 2) High humidity will increase the rate of corrosion particularly when the temperature range is just above the freezing point.
- 3) Moisture in certain areas of a vehicle for an extended period of time may promote corrosion even though other body sections may be completely dry.
- 4) High temperatures will cause an

accelerated rate of corrosion to parts of the vehicle which are not well ventilated to permit quick drying.

This information illustrates the necessity of keeping your vehicle (particularly the underbody) as clean and dry as possible. It is equally important to repair any damage to the paint or protective coatings as soon as possible.

How to Help Prevent Corrosion**Wash your vehicle frequently**

The best way to preserve the finish on your vehicle and to help avoid corrosion is to keep it clean with frequent washing.

Wash your vehicle regularly during the winter and immediately after the winter. Keep your vehicle, particularly the underside, as clean and dry as possible.

If you frequently drive on salted roads, your vehicle should be washed at least once a month during the winter. If you live near the ocean, your vehicle should be washed at least once a month throughout the year. For washing instructions, refer to the "VEHICLE CLEANING" section.

Remove foreign material deposits

Foreign material such as salts, chemicals, road oil or tar, tree sap, bird droppings and industrial fall-out may damage the finish of your vehicle if it is left on painted surfaces.

Remove these types of deposits as quickly as possible. If these deposits are difficult to wash off, an additional cleaner may be required. Be sure that any cleaner you use is not harmful to painted surfaces and is specifically intended for your purposes. Follow the manufacturer's directions when using these special cleaners.

Repair finish damage

Carefully examine your vehicle for damage to the painted surfaces. Should you find any chips or scratches in the paint, touch them up immediately to prevent corrosion from starting. If the chips or scratches have gone through to the bare metal, have a qualified body shop make the repair.

Keep Passenger and luggage compartments clean.

Moisture, dirt or mud can accumulate under the floor mats and may cause corrosion. Occasionally, check under these mats to ensure that this area is clean and dry. More frequent checks are necessary if the vehicle is used off road or in wet weather.

Certain cargos such as chemicals, fertilizers, cleaners, salts, etc., are extremely corrosive by nature. These products should be transported in sealed containers. If a spill or leak does occur, clean and dry the area immediately.

VEHICLE CLEANING

Store your vehicle in a dry, well-ventilated area.

Do not park your vehicle in a damp, poorly ventilated area. If you often wash your vehicle in the garage or if you frequently drive it in when wet, your garage may be damp. The high humidity in the garage may cause or accelerate corrosion. A wet vehicle may corrode even in a heated garage if the ventilation is poor.

⚠ WARNING

Do not apply additional undercoating or rust preventive coating on or around exhaust system components such as the exhaust pipes, etc. A fire could be started if the undercoating substance becomes overheated.

Cover your vehicle

If you cannot regularly park your vehicle in a garage, we recommend you use a vehicle cover. Years of exposure to midday sun can cause the colours in paint, plastic parts, and fabrics to fade. Covering your vehicle with a high-quality, "breathable" vehicle cover can help protect the finish from the harmful UV rays in sunlight, and can reduce the amount of dust and air pollution reaching the surface.

⚠ WARNING

When cleaning the interior or exterior of the vehicle, NEVER USE flammable solvents such as lacquer thinners, petrol, benzene or cleaning materials such as bleach or strong household detergents. The materials could cause personal injury or damage to the vehicle.

Cleaning the Interior

Vinyl upholstery

Prepare a solution of soap or mild detergent mixed with warm water. Apply the solution to the vinyl with a sponge or soft cloth and let it soak for a few minutes to loosen dirt. Rub the surface with a clean, damp cloth to remove dirt and the soap solution. If some dirt still remains on the surface, repeat this procedure.

Fabric upholstery

Remove loose dirt with a vacuum cleaner. Using a mild soap solution, rub stained areas with a clean damp cloth. To remove soap, rub the areas again with a cloth dampened with water. Repeat this until the stain is removed, or use a commercial fabric

cleaner for tougher stains. If you use a fabric cleaner, carefully follow the manufacturer's instructions and precautions.

Seat Belts

Clean seat belts with a mild soap and water. Do not use bleach or dye on the belts. They may weaken the fabric in the belts.

Vinyl floor mats

Ordinary dirt can be removed from vinyl with water or mild soap. Use a brush to help loosen dirt. After the dirt is loosened, rinse the mat thoroughly with water and dry it in the shade.

Carpets

Remove dirt and soil as much as possible with a vacuum cleaner. Using a mild soap solution, rub stained areas with a clean damp cloth. To remove soap, rub the areas again with a cloth dampened with water. Repeat this until the stain is removed, or use a commercial carpet cleaner for tougher stains. If you use a carpet cleaner, carefully follow the manufacturer's instructions and precautions.

Cleaning the Exterior

▲ CAUTION

It is important that your vehicle be kept clean and free from dirt. Failure to keep your vehicle clean may result in fading of the paint or corrosion to various parts of the vehicle body.

Washing

▲ WARNING

- **Never attempt to wash and wax your vehicle with the engine running.**
- **When cleaning the underside of the body and fender, where there may be sharp-edged parts, you should wear gloves and a longsleeved shirt to protect your hands and arms from being cut.**
- **After washing your vehicle, carefully test the brakes before driving to make sure they have maintained their normal effectiveness.**

When washing the vehicle, follow the instructions below:

- 1) Flush the underside of body and wheel housings with pressurized water to remove mud and debris. Use plenty of water.

▲ CAUTION

When washing the vehicle, avoid directing steam or hot water of more than 80°C (176°F) on plastic parts.

- 2) Remove dirt and mud from the body exterior with running water. You may use a soft sponge or brush. Do not use hard materials which can scratch the paint.
- 3) Wash the entire exterior with a mild detergent or car wash soap using a sponge or soft cloth. The sponge or cloth should be frequently soaked in the soap solution.

▲ CAUTION

When using a commercial car wash product, observe the cautions specified by the manufacturer. Never use strong household detergents or soaps.

- 4) Once the dirt has been completely removed, rinse off the detergent with running water.
- 5) After rinsing, wipe off the vehicle body with a wet chamois or cloth and allow it to dry in the shade.
- 6) Check carefully for damage to painted surfaces. If there is any damage, "Touchup" the damage following the procedure below:
 - a) Clean all damaged spots and allow them to dry.
 - b) Stir the paint and "touchup" the damaged spots lightly using a small brush.
 - c) Allow the paint to dry completely.

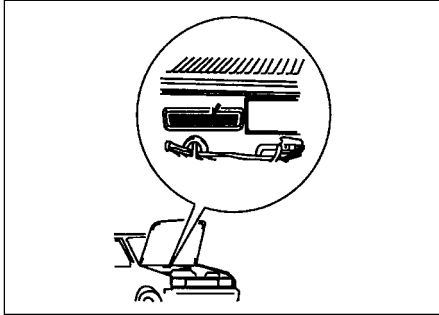
Waxing

After washing the vehicle, waxing and polishing are recommended to further protect and beautify the paint.

- Only use waxes and polishes of good quality.
- When using waxes and polishes, observe the precautions specified by the manufacturers.

GENERAL INFORMATION

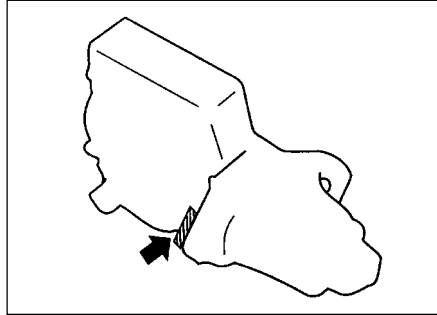
Vehicle Identification 12-1

VEHICLE IDENTIFICATION

70F-10-001

Chassis Serial Number

The chassis and/or engine serial numbers are used to register the vehicle. They are also used to assist your dealer when ordering or referring to special service information. Whenever you have occasion to consult your MARUTI dealer, remember to identify your vehicle with this number. Should you find the number difficult to read, you will also find it on the identification plate.



70F-10-002

Engine Serial Number

The engine serial number is stamped on the cylinder block as shown in the illustration and also on the identification plate.

SPECIFICATIONS

SPECIFICATIONS

72F-74E

NOTE:

Specifications are subject to change without notice.

M/T : Manual Transmission
 A/T : Automatic Transmission

DIMENSIONS	UNIT:mm	
	Overall length	3 495
	Overall width	1 495
	Overall height	1 405
	Wheelbase	2 335
	Tread front	1 335
rear	1 305	
Ground clearance	165	
MASS (WEIGHT)	UNIT:Kg	
	Kerb mass (weight)	M/T..... 740-755 A/T..... 778-793
	Gross vehicle mass (weight) rating	M/T..... 1160 A/T..... 1190
	Seating Capacity	5 persons

ENGINE Type Number of cylinders Bore Stroke Piston displacement Compression ratio	Four-stroke cycle, water cooled (SOHC) 4 72.0 mm 61.0 mm 993 cm ³ 8.8:1
ELECTRICAL Ignition timing Standard spark plug Battery Fuses Headlight Turn signal light Side turn signal light Clearance light Tail/brake light Registration plate light Reversing light	10°±1° B.T.D.C. at 800 r/min NGK – BP5EY, MICO – W8DC, CHAMPION – N10YC 38B20R (28AH/5HR) See “INSPECTION AND MAINTENANCE” section 12V 60/55W 12V 21W 12V 5W 12V 5W 12V 5/21W 12V 5W 12V 21W (18W - Zen Classic)

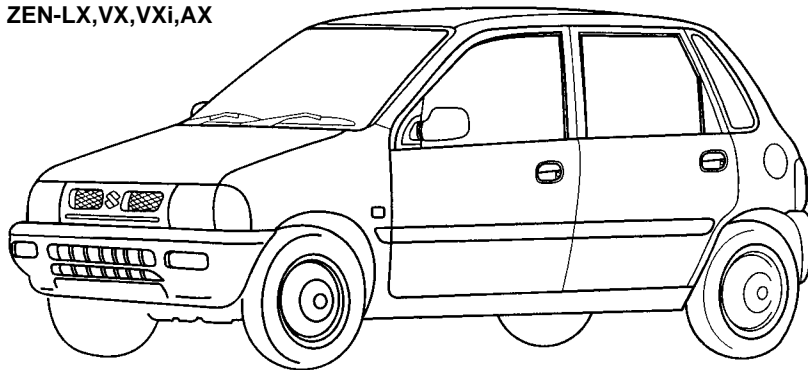
SPECIFICATIONS

72F-74E

WHEEL AND SUSPENSION Tyre size, front and rear Tyre pressures front/rear Suspension type front rear	145/80R12 1.7 kg/cm ² strut Coil spring
STEERING Toe-in	0±1 mm
CAPACITIES Coolant (Including reservoir tank) Fuel tank Engine oil Transmission oil	M/T.....4.0 L A/T.....3.8 L 35 L 3.3 L (Replacement with Oil Filter) M/T.....2.4 L A/T.....4.9 L (Replacement quantity approximately 1.5 L)

**This Owner's manual & service booklet applies to the following models
produced by MARUTI UDYOG LIMITED**

ZEN-LX,VX,VXi,AX



ZEN-CLASSIC

