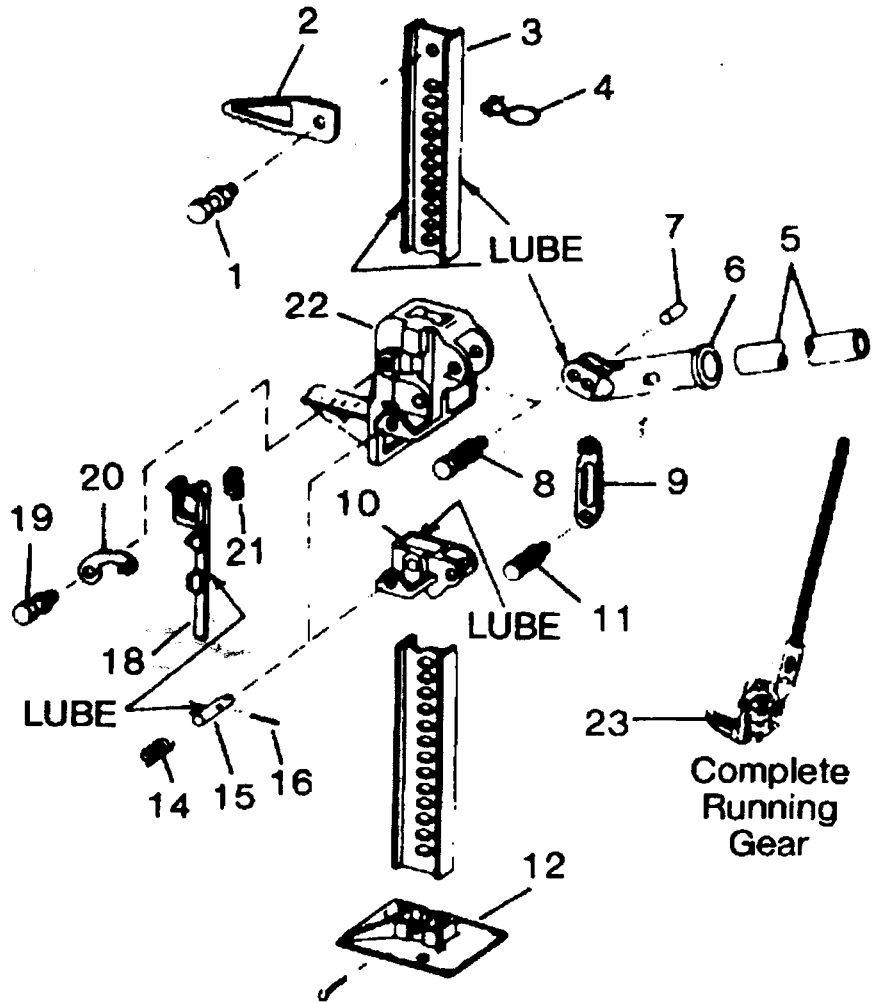


PARTS LIST

Following are the parts for all Hi-Lift Jacks. You can order parts from your dealer. You can also order parts directly from the Hi-Lift® Jack Company by calling (800) 233-2051, or (812) 384-4441 from outside the USA.

- 1 Top Clamp-Clevis Bolt
 - 2 Top Clamp-Clevis
 - 3 Steel Standard (Bar)
 - 4 Handle Spring Clip
 - 5 Steel Handle w/ Cotter Pin
 - 6 Handle Socket
 - 7 Pitman Pin
 - 8 Hex Bolt
 - 9 Pitman
 - 10 Small Runner
 - 11 Hi-Lift® Shear Bolt
 - 12 Foot Piece w/ Cotter Pin
 - 14 Climbing Pin Spring (2 required)
 - 15 Climbing Pin (2 required)
 - 16 Cross Pin (2 required)
 - 18 Reversing Switch Cam Bar and Spring
 - 19 Cap Screw w/ Washer
 - 20 Reversing Latch
 - 21 Reversing Switch Spring
 - 22 Large Runner
 - 23 Running Gear (assembled)
- Safety Label also available.



Not pictured:

E-J part #80-153

5/8" bent pin, cotter and swivel hub for Equipment Agricultural Jack.

EK-1 (FIX-IT KIT)-includes the following: two each of parts 14, 15, 16, one 11 & a tube of lubricant.

Individual parts may vary on some models; part name and number remain the same.