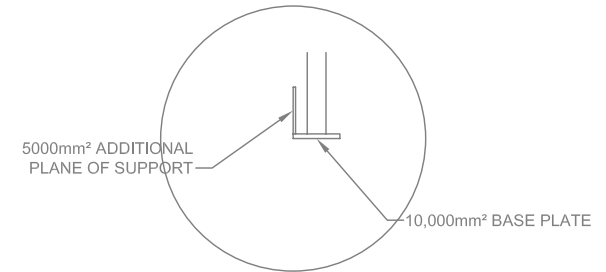
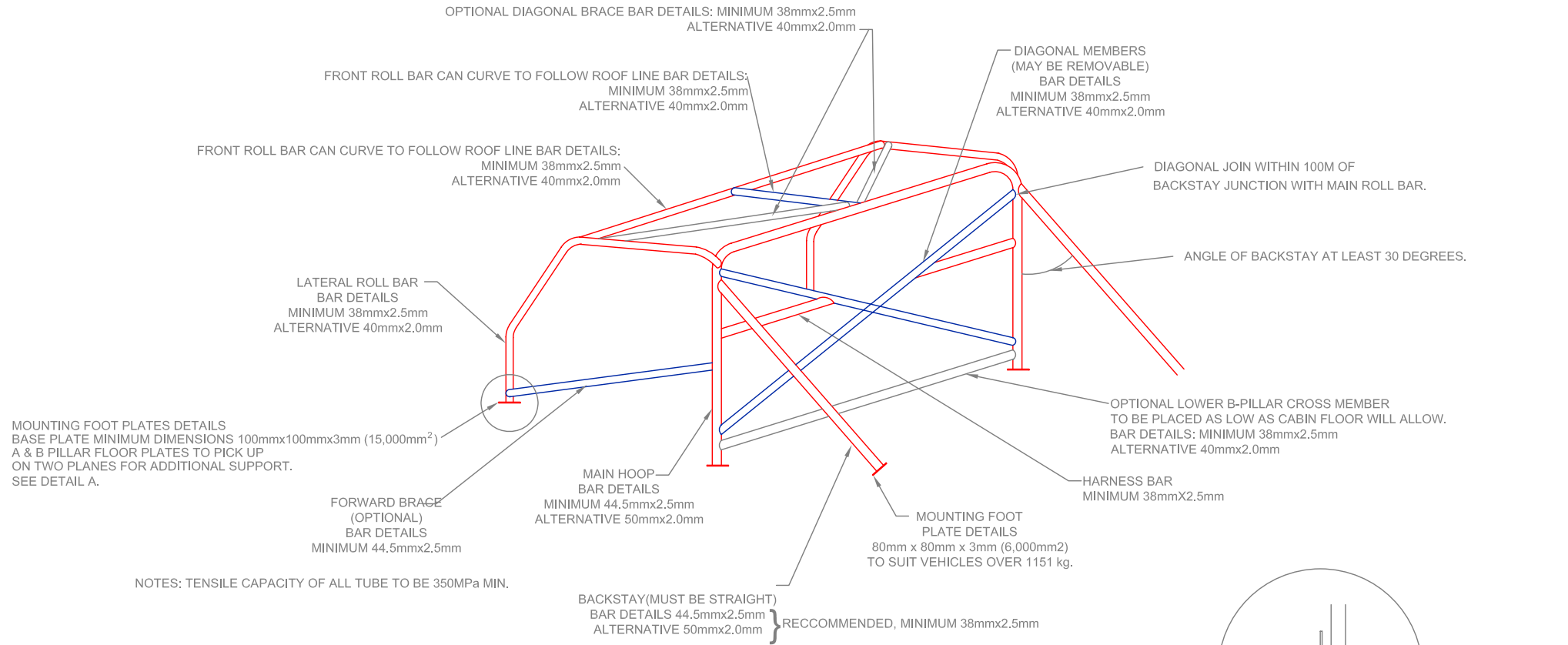
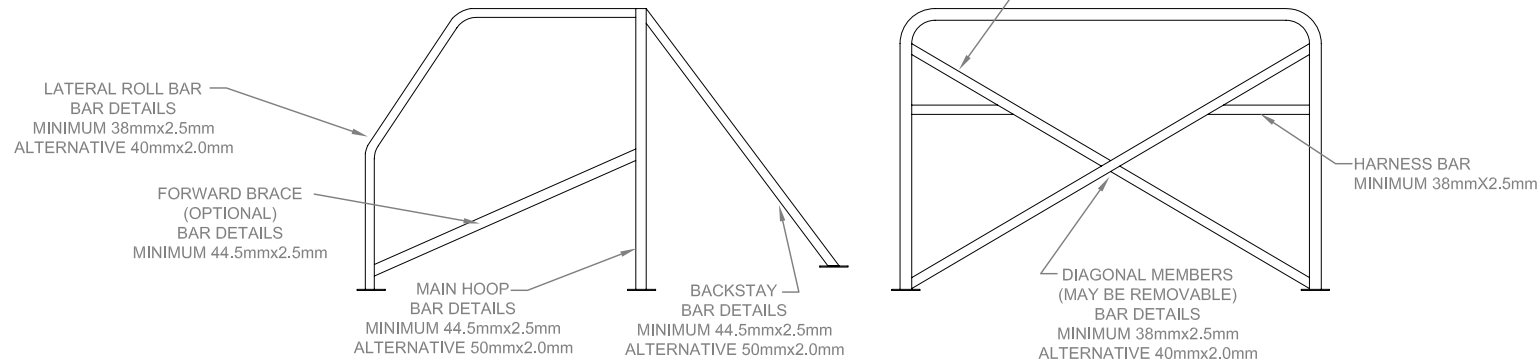


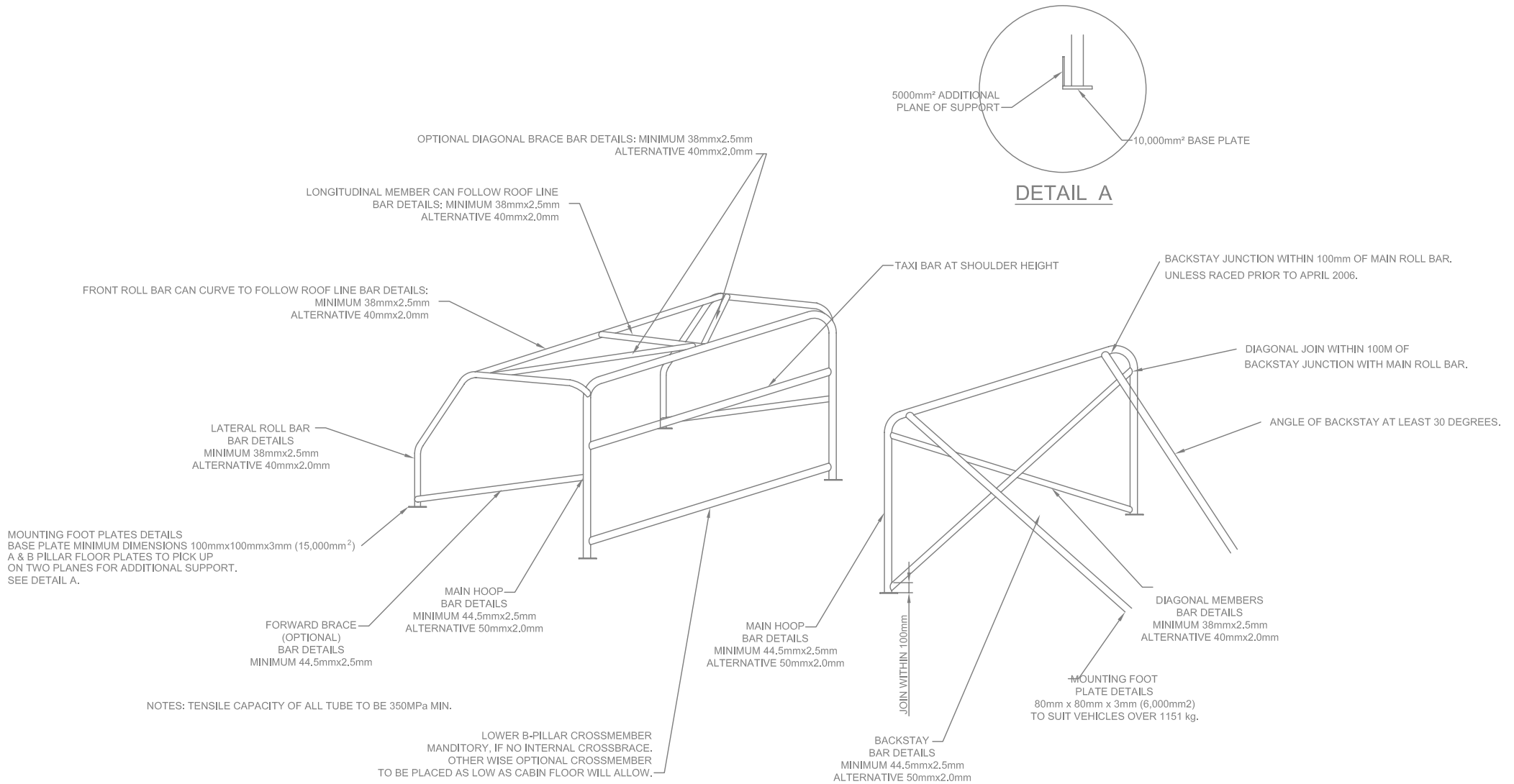
FULL BODY VEHICLE CAGE

FOUR DOOR VEHICLES WITH AN INTERNAL CAGE: - C-PILLAR DOES NOT REQUIRE DIAGONAL BRACES.



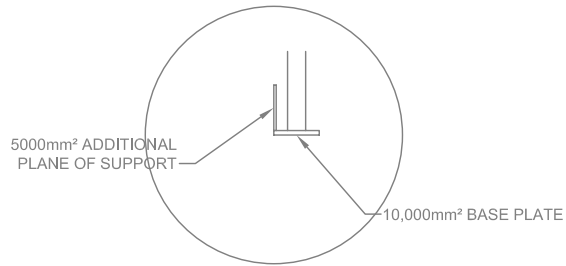
DETAIL A



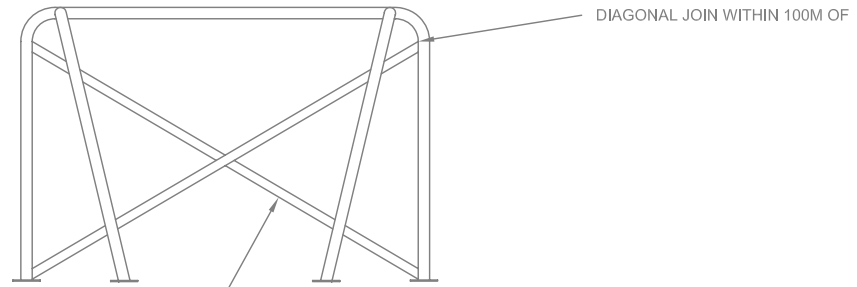


THIS DIAGRAM BASED IN REAR CAGE BEING TRAY MOUNTED.
THIS STYLE OF REAR CAGE REQUIRES THE TRAY TO BE FIXED
TO THE CHASSIS IN AN APPROPRIATE WAY TO ENSURE IT
REMAINS ATTACHED IN A SEVERE ROLL OVER.

UTE CAGE



DETAIL A



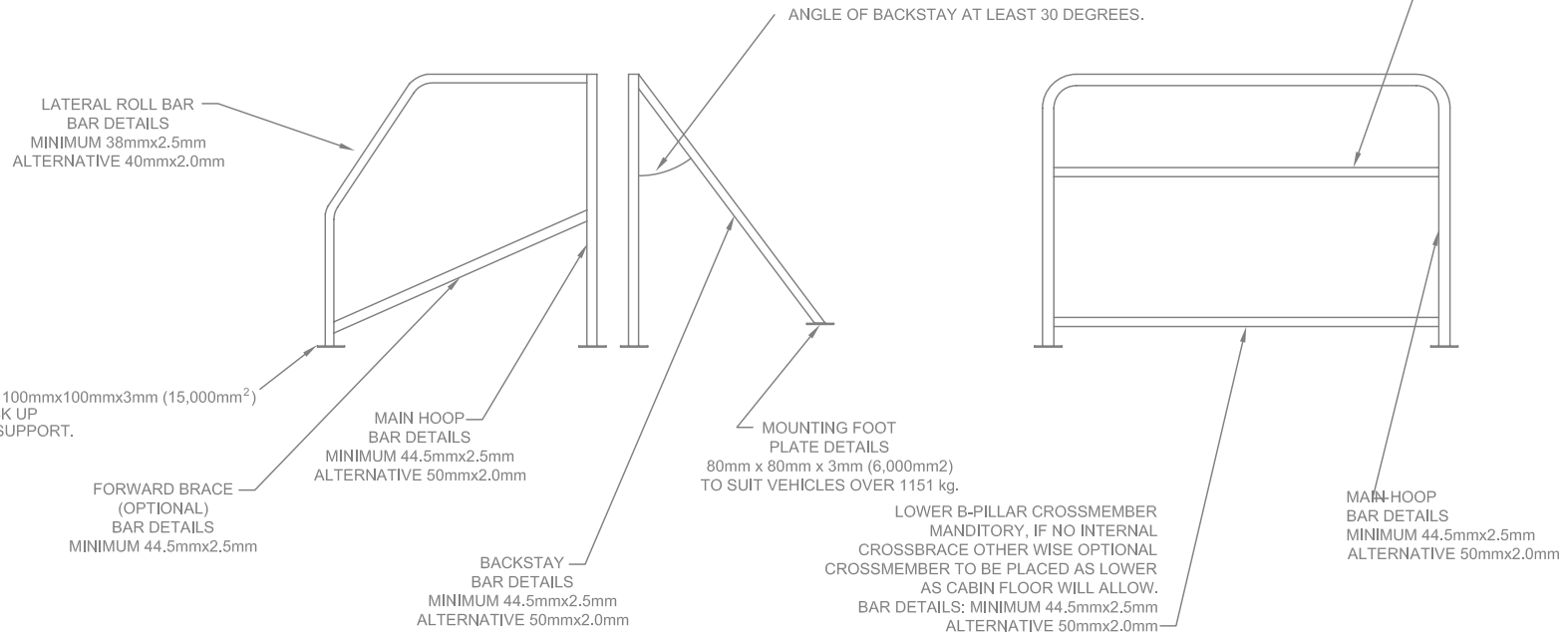
DIAGONAL MEMBERS
BAR DETAILS
MINIMUM 38mmx2.5mm
ALTERNATIVE 40mmx2.0mm

THIS DIAGRAM BASED IN REAR CAGE BEING TRAY MOUNTED. THIS STYLE OF REAR CAGE REQUIRES THE TRAY TO BE FIXED TO THE CHASSIS IN AN APPROPRIATE WAY TO ENSURE IT REMAINS ATTACHED IN A SEVERE ROLL OVER.

TRAY MOUNTED EXTERNAL HOOP

UTE CAGE

TAXI BAR WITHIN 100MM OF SHOULDER HEIGHT
BAR DETAILS: MINIMUM 44.5mmx2.5mm
ALTERNATIVE 50mmx2.0mm



LATERAL ROLL BAR
BAR DETAILS
MINIMUM 38mmx2.5mm
ALTERNATIVE 40mmx2.0mm

ANGLE OF BACKSTAY AT LEAST 30 DEGREES.

MOUNTING FOOT PLATES DETAILS
BASE PLATE MINIMUM DIMENSIONS 100mmx100mmx3mm (15,000mm²)
A & B PILLAR FLOOR PLATES TO PICK UP
ON TWO PLANES FOR ADDITIONAL SUPPORT.
SEE DETAIL A.

MAIN HOOP
BAR DETAILS
MINIMUM 44.5mmx2.5mm
ALTERNATIVE 50mmx2.0mm

FORWARD BRACE
(OPTIONAL)
BAR DETAILS
MINIMUM 44.5mmx2.5mm

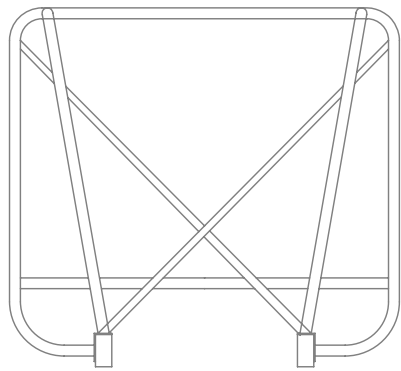
BACKSTAY
BAR DETAILS
MINIMUM 44.5mmx2.5mm
ALTERNATIVE 50mmx2.0mm

MOUNTING FOOT
PLATE DETAILS
80mm x 80mm x 3mm (6,000mm²)
TO SUIT VEHICLES OVER 1151 kg.

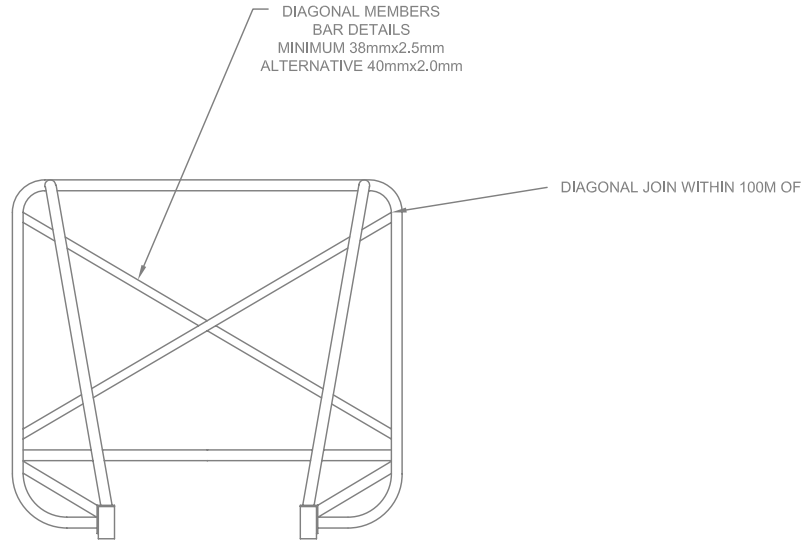
LOWER B-PILLAR CROSSMEMBER
MANDATORY, IF NO INTERNAL
CROSSBRACE OTHER WISE OPTIONAL
CROSSMEMBER TO BE PLACED AS LOWER
AS CABIN FLOOR WILL ALLOW.
BAR DETAILS: MINIMUM 44.5mmx2.5mm
ALTERNATIVE 50mmx2.0mm

MAIN HOOP
BAR DETAILS
MINIMUM 44.5mmx2.5mm
ALTERNATIVE 50mmx2.0mm

INTERNAL HOOP



PREFERED EXTERNAL HOOP



OPTION FOR EXISITNG EXTERNAL HOOP

THIS DIAGRAM BASED IN REAR CAGE BEING CHASSIS MOUNTED.

UTE CAGE

