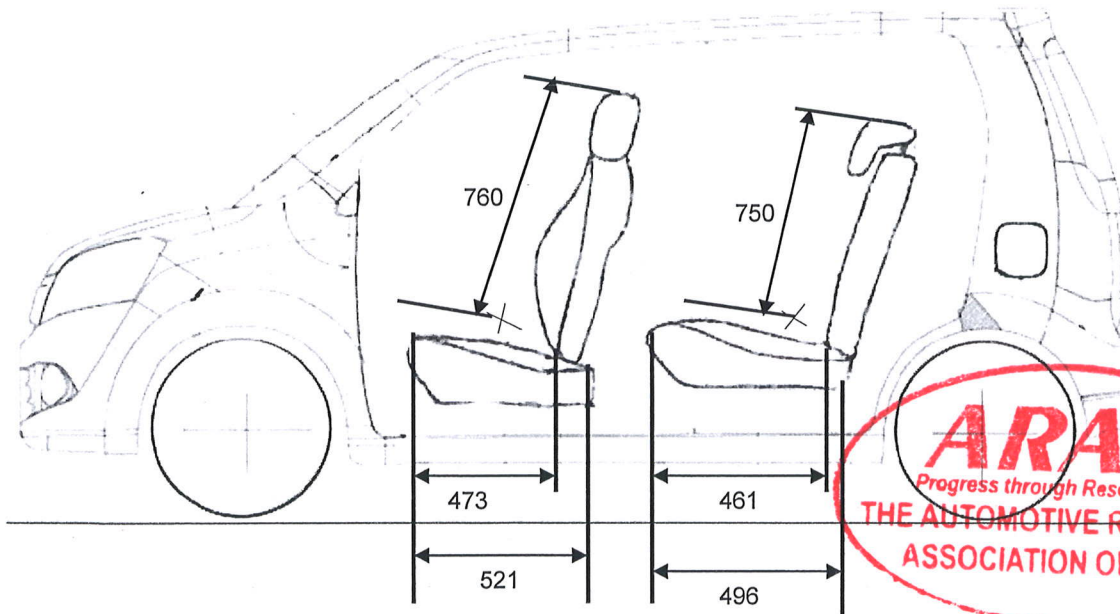


7 JUN 2013



Vilendra
JITENDRA MALHOTRA
 Asst. General Manager
 CMVR & Homologation Group
 Engineering Division
 MARUTI SUZUKI INDIA LTD.
 Palm Gurgaon Road
 Gurgaon-122015 (Haryana)-India

Rashmi
Mrs. RASHMI URDHWARESHE
 SEATING LAYOUT
 HOMOLOGATION MANAGEMENT &
 REGULATION, CMVR PUNE

DRAWING NAME	SEATING LAYOUT
TYPE	HOMOLOGATION MANAGEMENT & REGULATION, CMVR PUNE
DRAWING NO.	WN-700-00-00

All Dimensions are in mm.