



Drive your way™

Accent Executive



AWESOME EXTERIORS.

INCREDIBLE ENGINEERING.

Front grille with unique horizontal slats, front lights, back lights and high mounted brilliance stop lamps with clear lens, muscular waistline mouldings on either side and full wheel covers, make the Accent Executive distinctive in look, design and visibility. Along with its international looks this sedan boasts of convenience features like keyless entry system and central door locking system.

So here's a sedan to match your style and transform every ride into an unmatched drive experience.



Keyless entry system



Front Clear Lens Head Lamps



Clear Lens Type Rear Combination Lamps



Leather Wrapped Steering Wheel



Rear Defogger



Central Door Locking





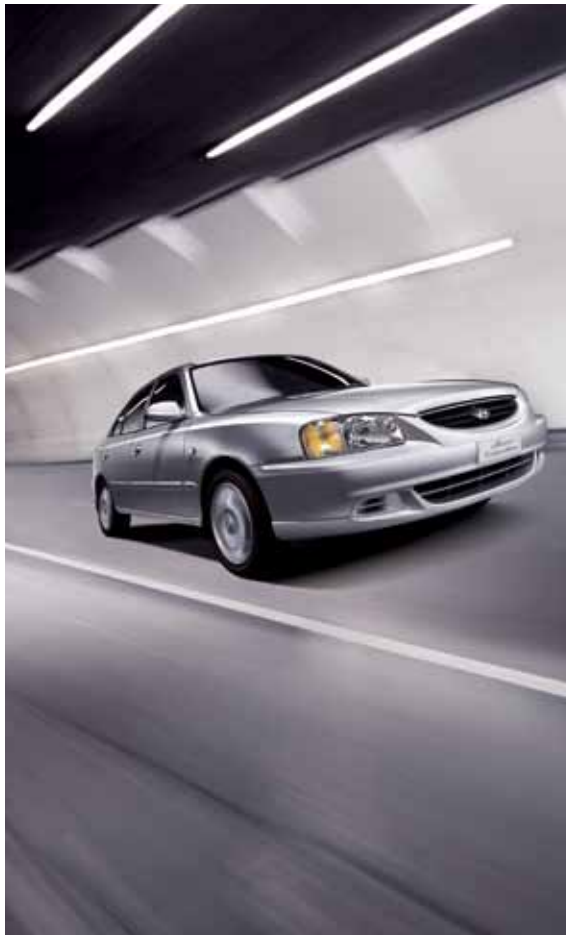
1.5 L SOHC Engine
Max. Power (ps/rpm) 95/5500 Max. Torque (kgm/rpm) 12.7/3500



Power & Tilt Steering



175/70 R13 tyres for better road grip with stylish wheel cover.



MAXIMUM COMFORT.

OPTIMUM SAFETY.

The HVAC (Heat Ventilation Air Conditioning) system and the Noise, Vibrations and Harshness dampening system maintain the most comfortable climate and complete peace within your Accent Executive. While its 'Tilt & Power Steering' makes driving effortless and fun. The 'Collapsible Steering Column' minimizes risk in the event of a frontal impact, thus enhancing safety. Accent Executive provides optimum driver and passenger safety.



KEY FEATURES

EXTERIOR

Type	Executive
Body Color Bumper	●
Body Color Waistline Moulding	●
Body Color Door Handles	●
Both Side Outside Mirror	●
Body Color Outside Mirror	●
Tinted Glasses	●
Rear Defogger	●
Clear Headlamps	●
Full Wheel Cover	●
Body Color Rear Garnish	●

INTERIOR

Wooden finish panels	●
Beige Key Color	●
Delay Out Interior Lamp	●
Trunk / Boot Lamp	●
Clutch Foot rest	●
Front Door Map Pockets	With bottle holder
Leather Wrapped Steering Wheel	●
Leather Wrapped TGS Knob	●

CONVENIENCE

Door Trim with Fabric Insert	●
Air conditioner	●
Cabin heater	●
Internally Adjustable Outside Mirror	●
Tachometer	●
Low fuel warning lamp	●
Door Ajar Warning lamp	●
Ignition Key reminder	●
Tripmeter	●
Battery Saver	●
Antenna	●
Adjustable Front Seat Headrests	●
60 : 40 Split folding Rear Seats	●

COMFORT

Front & Rear Power Windows	●
Power Steering	●
Tilt Steering	●
Remote Tail gate & Fuel filler lid	●

SAFETY

Central Door Locking	●
Child Proof Rear Door locks	●
Day & Night Inside Rearview Mirror	●
Key less entry	●
Head Lamp Levelling Device	●
High Mount Stop Lamp	●
Immobilizer	●

KEY TECHNICAL SPECIFICATIONS

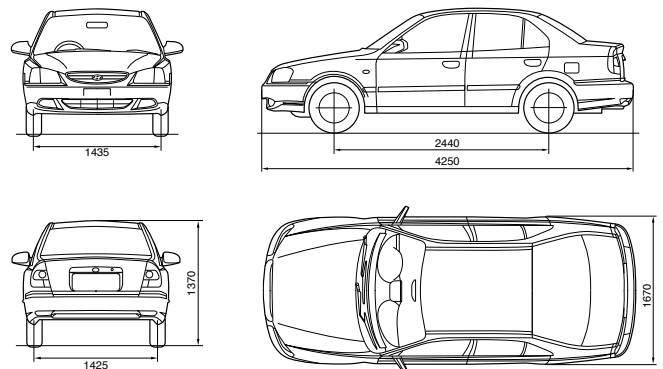
SPECIFICATIONS

Type	Executive	
Dimensions	Overall Length(mm)	4250
	Overall Width(mm)	1670
	Overall Height(mm)	1370
	Wheelbase(mm)	2440
	Ground Clearance(mm)	172
	Front Track(mm)	1435
	Rear Track(mm)	1425
	Fuel tank Capacity(Liter)	45
Engine	No. of Cylinder	4
	Displacement(cc)	1495
Performance	Max. Power(PS / rpm)	95/5500
	Max. Torque(Kg-m / rpm)	12.7/3500
Transmission	5 Speed Manual	
Suspension	Front	MacPherson strut with coil spring & stabilizer bar
	Rear	Dual link with coil spring & anti roll bar
Steering	Type	Power assisted rack & pinion
Brakes	Front	Ventilated discs
	Rear	Self adjusting drums
Tyres	175/70 R 13 Tubeless	

BODY COLOURS



DIMENSIONS



- Colors, features & specifications are subject to change without prior notice.
- Features shown in the pictures may not be part of standard equipment.
- (Standard)

Dealer's Name and Address



HYUNDAI
Drive your way™

Hyundai Motor India Limited

A-30, Mohan Cooperative Industrial Estate,

Mathura Road, New Delhi - 110044

E-mail : hmidelhi@nde.vsnl.net.in

Website : www.hyundai.co.in

Tel : (011) 41678800 Fax : (011) 41678811