

NAME: MAHINDRA AND MAHINDRA LIMITED

NO. OF SHEETS: 7

NO : 201941031744

SHEET NO. : 1

COMPLETE SPECIFICATION

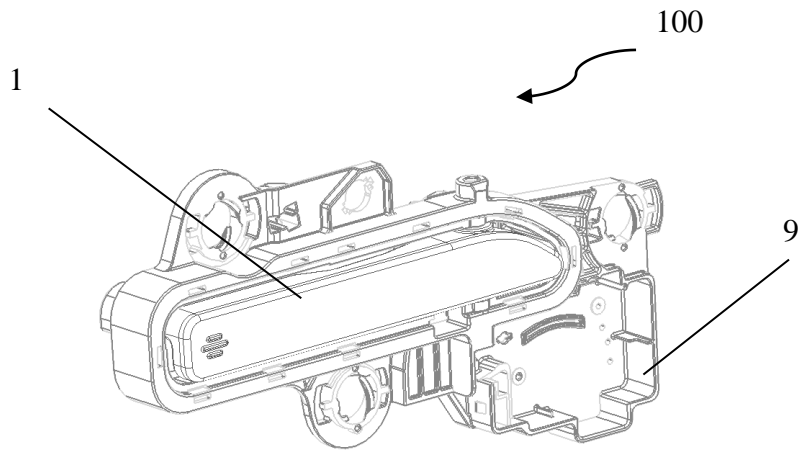


FIGURE 1a

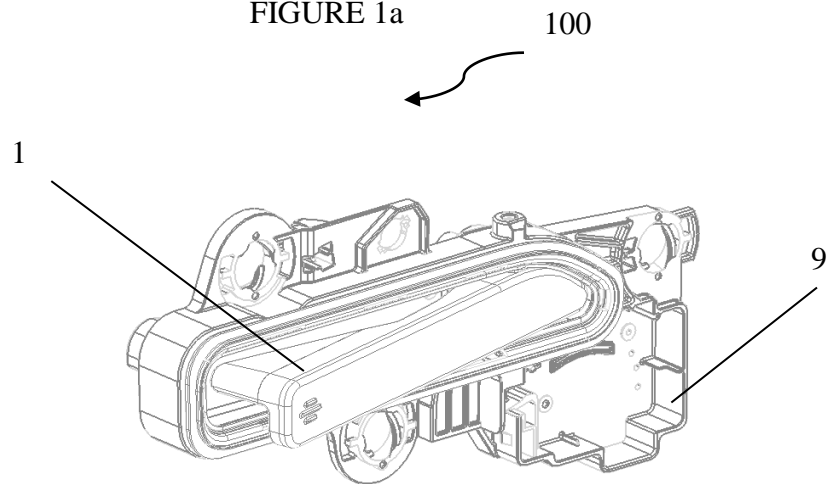


FIGURE 1b

MOHAN DEWAN, IN/PA-25

OF R. K. DEWAN & CO.

APPLICANT'S PATENT ATTORNEY

NAME: MAHINDRA AND MAHINDRA LIMITED

NO. OF SHEETS: 7

NO : 201941031744

SHEET NO. : 2

COMPLETE SPECIFICATION

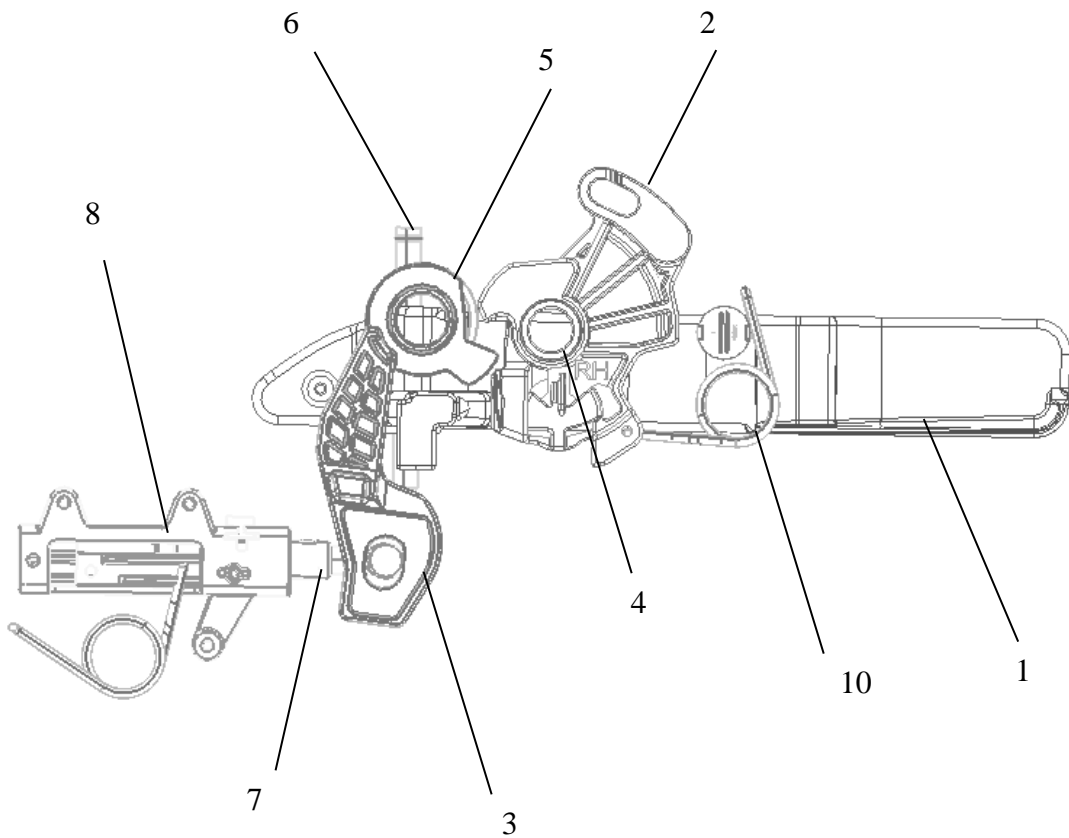


FIGURE 2

MOHAN DEWAN, IN/PA-25
OF R. K. DEWAN & CO.
APPLICANT'S PATENT ATTORNEY

NAME: MAHINDRA AND MAHINDRA LIMITED

NO. OF SHEETS: 7

NO : 201941031744

SHEET NO. : 3

COMPLETE SPECIFICATION

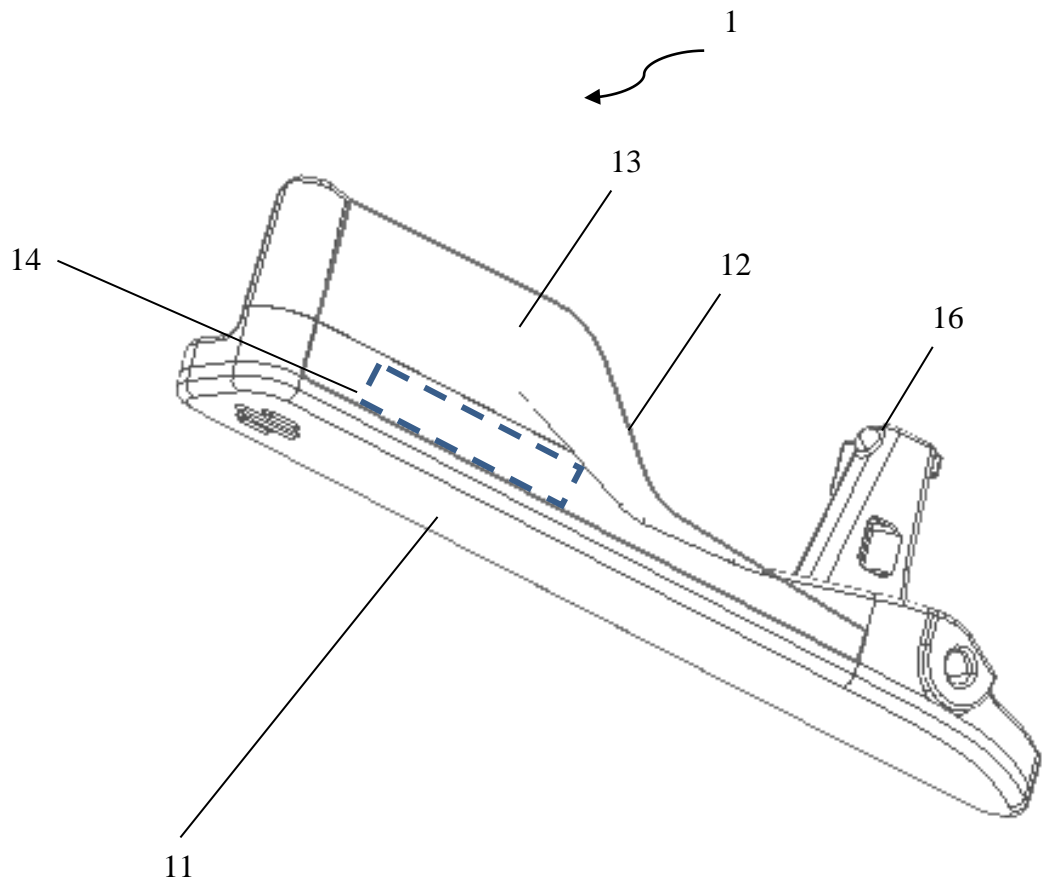


FIGURE 3

MOHAN DEWAN, IN/PA-25
OF R. K. DEWAN & CO.
APPLICANT'S PATENT ATTORNEY

NAME: MAHINDRA AND MAHINDRA LIMITED

NO. OF SHEETS: 7

NO : 201941031744

SHEET NO. : 4

COMPLETE SPECIFICATION

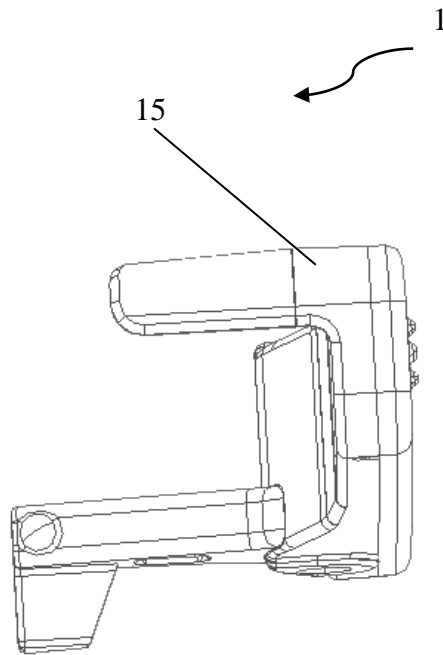


FIGURE 4

A handwritten signature in blue ink, appearing to read 'Mohan Dewan', with a horizontal line underneath.

MOHAN DEWAN, IN/PA-25
OF R. K. DEWAN & CO.
APPLICANT'S PATENT ATTORNEY

NAME: MAHINDRA AND MAHINDRA LIMITED

NO. OF SHEETS: 7

NO : 201941031744

SHEET NO. : 5

COMPLETE SPECIFICATION

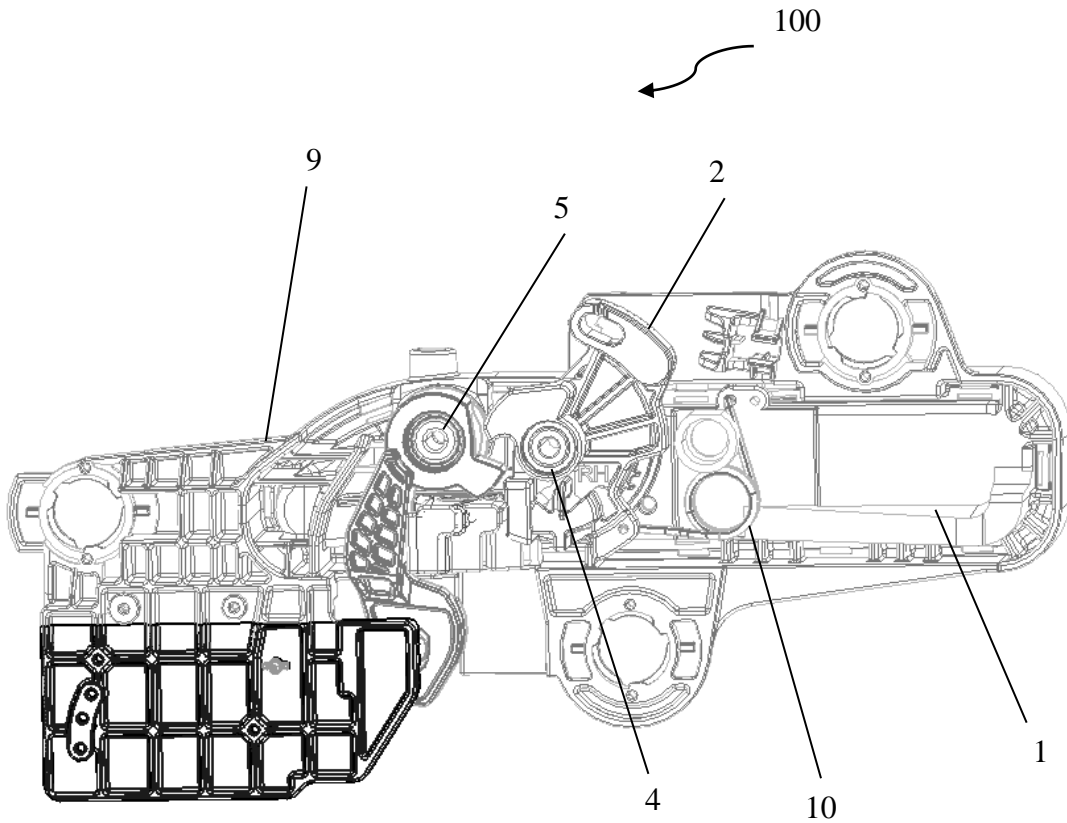


FIGURE 5

MOHAN DEWAN, IN/PA-25
OF R. K. DEWAN & CO.
APPLICANT'S PATENT ATTORNEY

NAME: MAHINDRA AND MAHINDRA LIMITED

NO. OF SHEETS: 7

NO : 201941031744

SHEET NO. : 6

COMPLETE SPECIFICATION

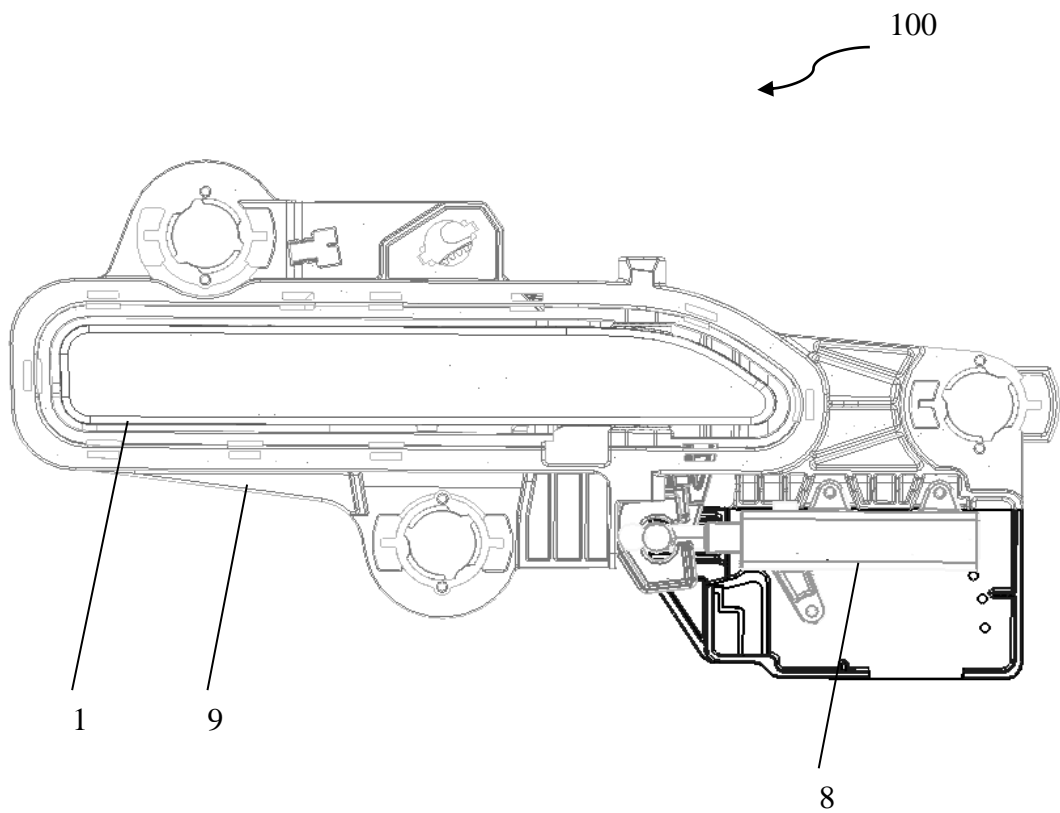


FIGURE 6

MOHAN DEWAN, IN/PA-25
OF R. K. DEWAN & CO.
APPLICANT'S PATENT ATTORNEY

COMPLETE SPECIFICATION

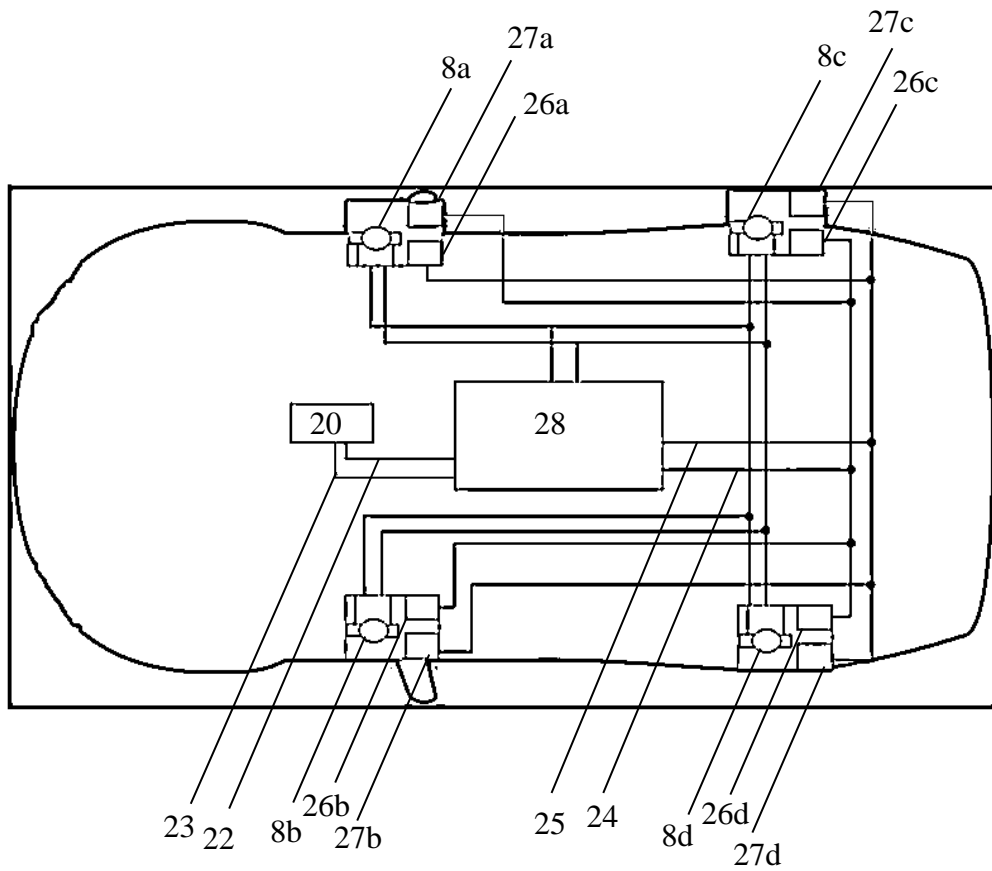


FIGURE 7

MOHAN DEWAN, IN/PA-25
OF R. K. DEWAN & CO.
APPLICANT'S PATENT ATTORNEY