

NAME: MAHINDRA AND MAHINDRA LIMITED

NO. OF SHEETS: 6

NO : 201941031745

SHEET NO. : 1

COMPLETE SPECIFICATION

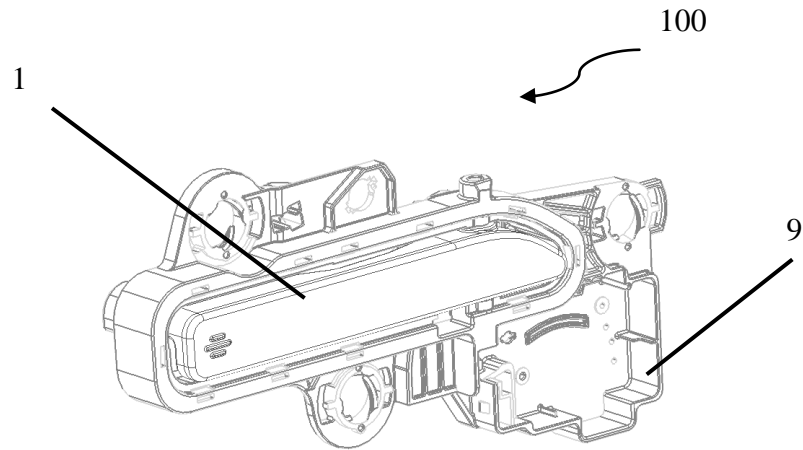


FIGURE 1a

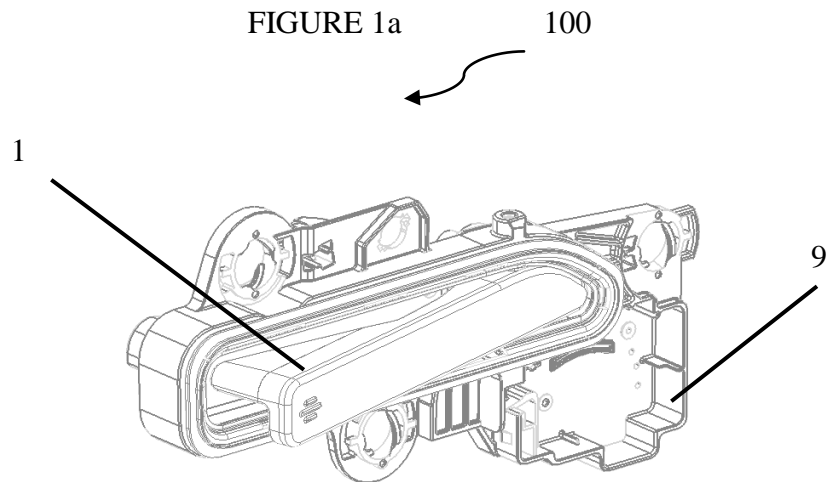


FIGURE 1b

MOHAN RAJKUMAR DEWAN, IN/PA-25
of R.K. DEWAN & COMPANY
APPLICANT'S PATENT ATTORNEY

NAME: MAHINDRA AND MAHINDRA LIMITED

NO. OF SHEETS: 6

NO :201941031745

SHEET NO. : 2

COMPLETE SPECIFICATION

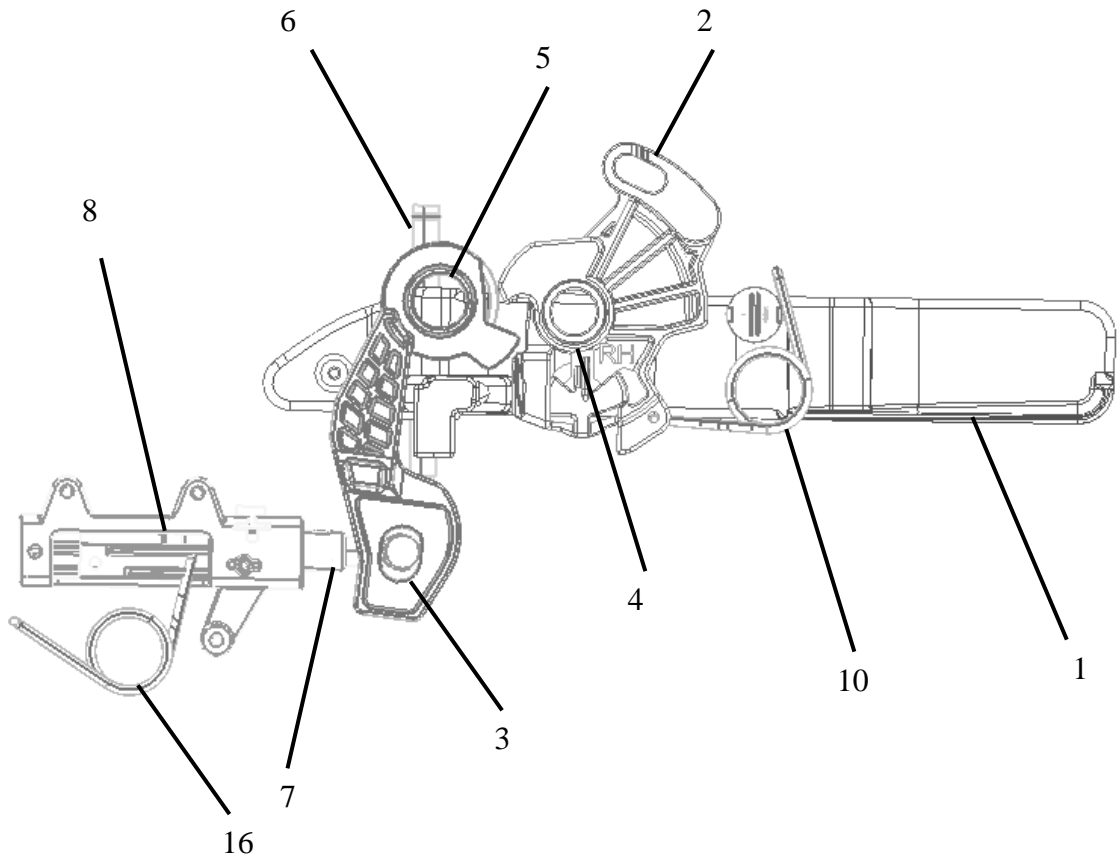


FIGURE 2

MOHAN RAJKUMAR DEWAN, IN/PA-25
of R.K. DEWAN & COMPANY
APPLICANT'S PATENT ATTORNEY

NAME: MAHINDRA AND MAHINDRA LIMITED

NO. OF SHEETS: 6

NO :201941031745

SHEET NO. : 3

COMPLETE SPECIFICATION

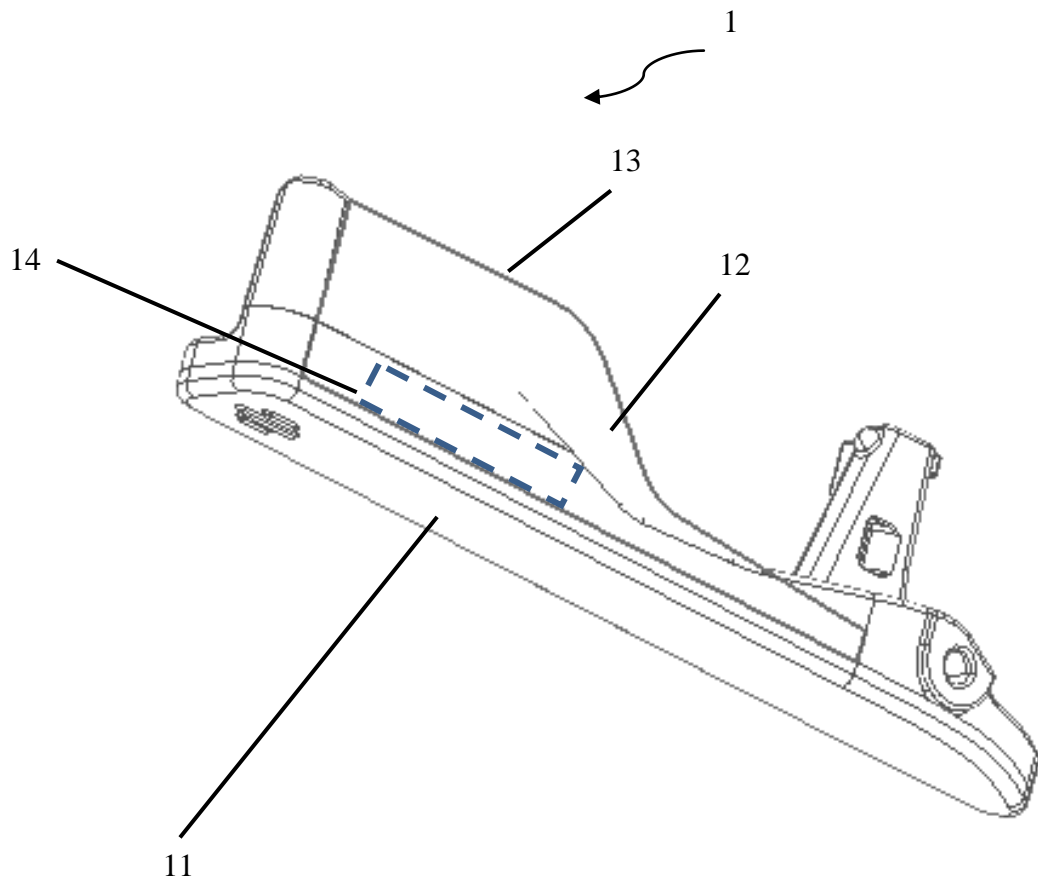


FIGURE 3

MOHAN RAJKUMAR DEWAN, IN/PA-25
of R.K. DEWAN & COMPANY
APPLICANT'S PATENT ATTORNEY

NAME: MAHINDRA AND MAHINDRA LIMITED

NO. OF SHEETS: 6

NO :201941031745

SHEET NO. : 4

COMPLETE SPECIFICATION

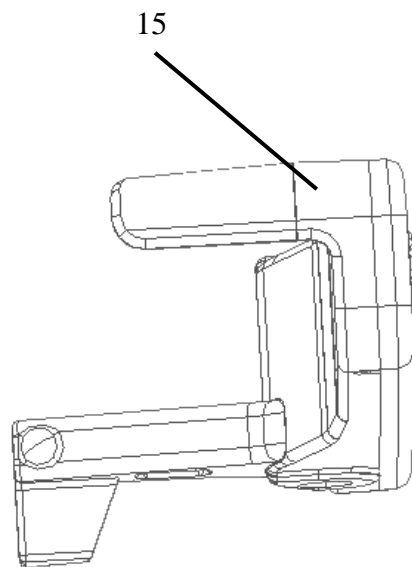


FIGURE 4

A handwritten signature in blue ink, appearing to read 'Mohan Dewan', located above the printed name of the patent attorney.

MOHAN RAJKUMAR DEWAN, IN/PA-25
of R.K. DEWAN & COMPANY
APPLICANT'S PATENT ATTORNEY

NAME: MAHINDRA AND MAHINDRA LIMITED

NO. OF SHEETS: 6

NO : 201941031745

SHEET NO. : 5

COMPLETE SPECIFICATION

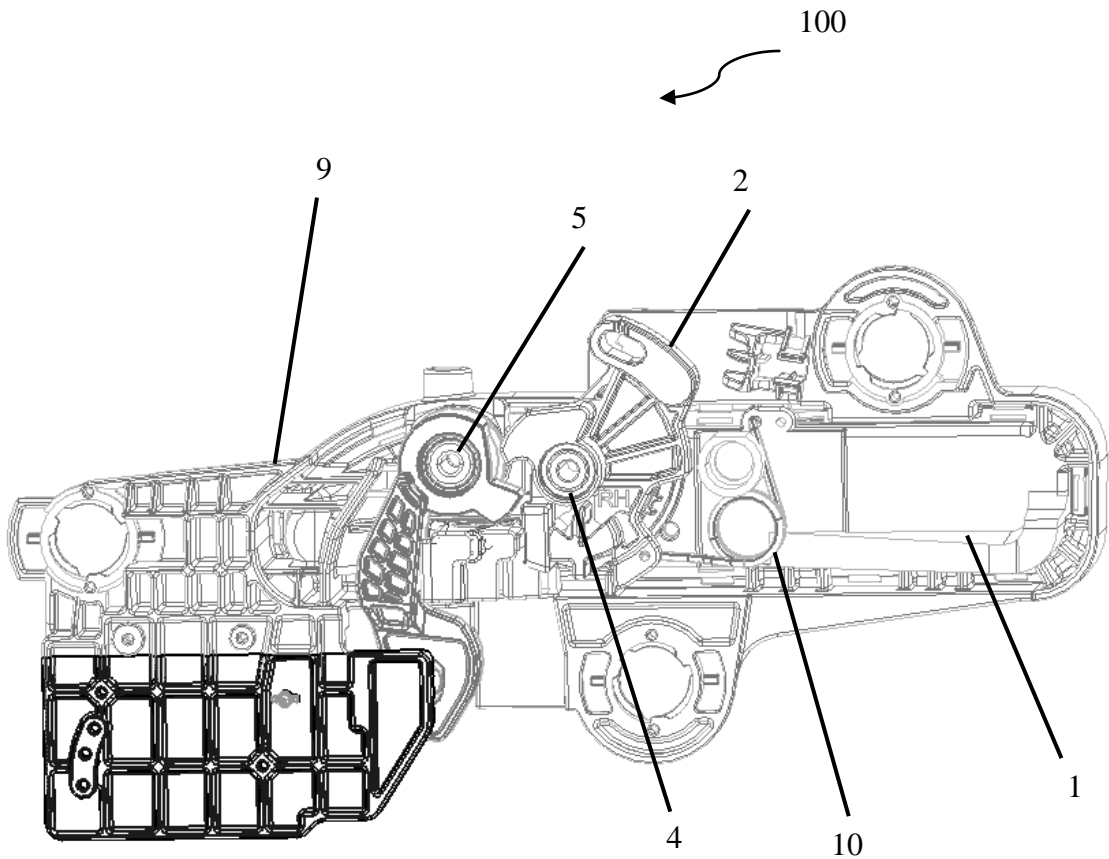


FIGURE 5

MOHAN RAJKUMAR DEWAN, IN/PA-25
of R.K. DEWAN & COMPANY
APPLICANT'S PATENT ATTORNEY

NAME: MAHINDRA AND MAHINDRA LIMITED

NO. OF SHEETS: 6

NO :201941031745

SHEET NO. : 6

COMPLETE SPECIFICATION

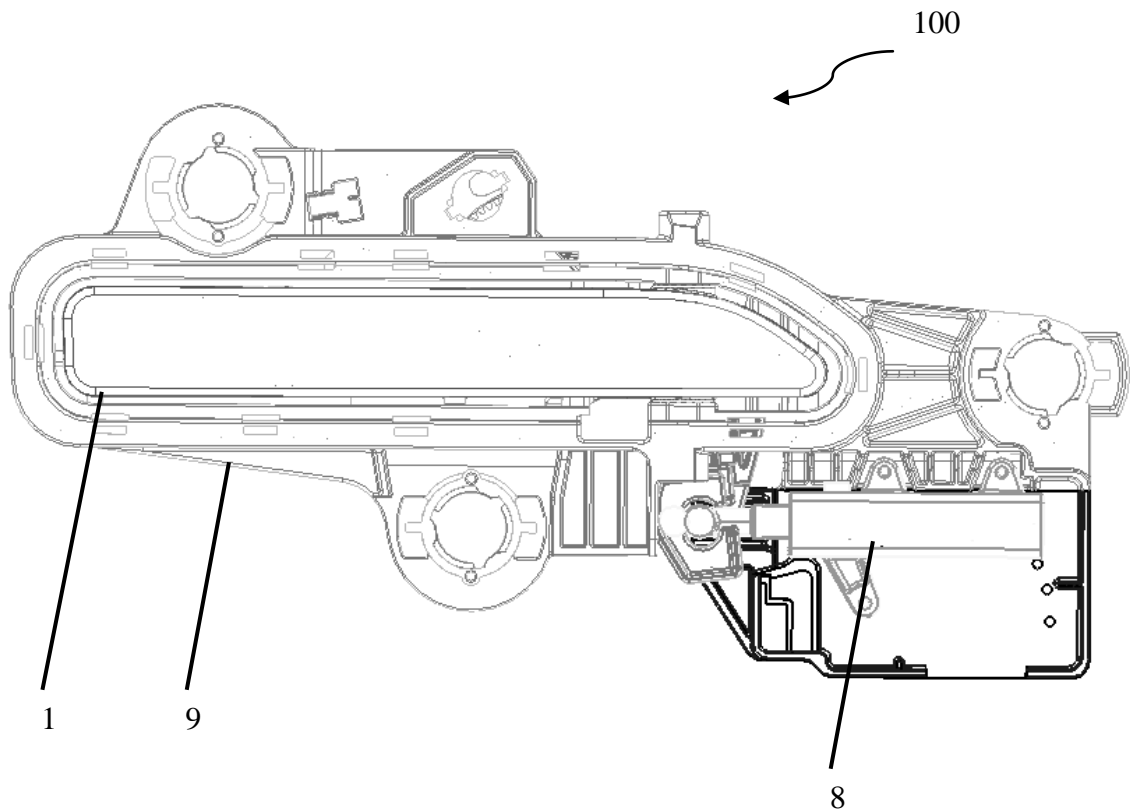


FIGURE 6

MOHAN RAJKUMAR DEWAN, IN/PA-25
of R.K. DEWAN & COMPANY
APPLICANT'S PATENT ATTORNEY