



AMG



THE ALL-NEW MERCEDES-AMG
E 53 4MATIC+ AND E 63 S 4MATIC+.

MADE TO WIN
THE NIGHT.



*Please read the disclaimer.

AS POWERFUL AS AN ATHLETE,
AS PROFESSIONAL AS A BUSINESS LIMOUSINE.



The all-new Mercedes-AMG E-Class is the latest in a long line of AMG limousines that epitomise pure performance. Be it a business commute or a relaxed spin, this striking new Star is sure to power through it all.

THERE'S NO SECOND CHANCE TO MAKE A FIRST IMPRESSION.



The completely redesigned front view gives the performance E-Class an even more powerful appeal. The AMG-specific radiator grille with its A-wing designed outline enhances the impression of road-hugging breadth, just like the flat LED headlights. Wide-ranging restyling also makes the saloon look even more muscular when viewed from the rear while its vertical bars in matt black, front splitter in silver chrome, sporty air intakes with two louvres in matt black on each side and high-gloss black flicks make quite the impression.

DISCOVER SOME EXCITING NEW DETAILS.

The interior of the all-new Mercedes-AMG E-Class packs quite the punch and is a combination of unique AMG finery and distinctive Mercedes-Benz luxury, topped off by the latest generation MBUX infotainment system. Performance has never been as tangible as this – with the new generation AMG steering ready to take you places with precision.





Something special. On every trip, from any angle. With the Fit & Healthy features.

Not just a means of arrival, the new Mercedes-AMG E-Class is the perfect journey companion. The Fit & Healthy features understand, motivate and guide you in remaining in the pink of health while driving. Get ready to elevate your driving experience with a car that cares.

[AMG RIDE CONTROL+](#) | [AMG DYNAMIC SELECT](#) | [Burmester® Surround Sound system](#) | [Ambient lighting in 64 colors](#) | [Memory package with 4-way LUMBAR Support](#)



POWER MEETS AGILITY.

AMG E 63 S 4MATIC+

AMG E 53 4MATIC+

3.0-LITRE 6 CYLINDER IN-LINE ENGINE (AMG E 53 4MATIC+)

Systematically electrified for an outstanding driving experience - the Integrated Starter-Alternator boosts and recovers energy, while the 48 V onboard electrical system supplies the power consumers and the auxiliary compressor provides torque from just above idle speed.

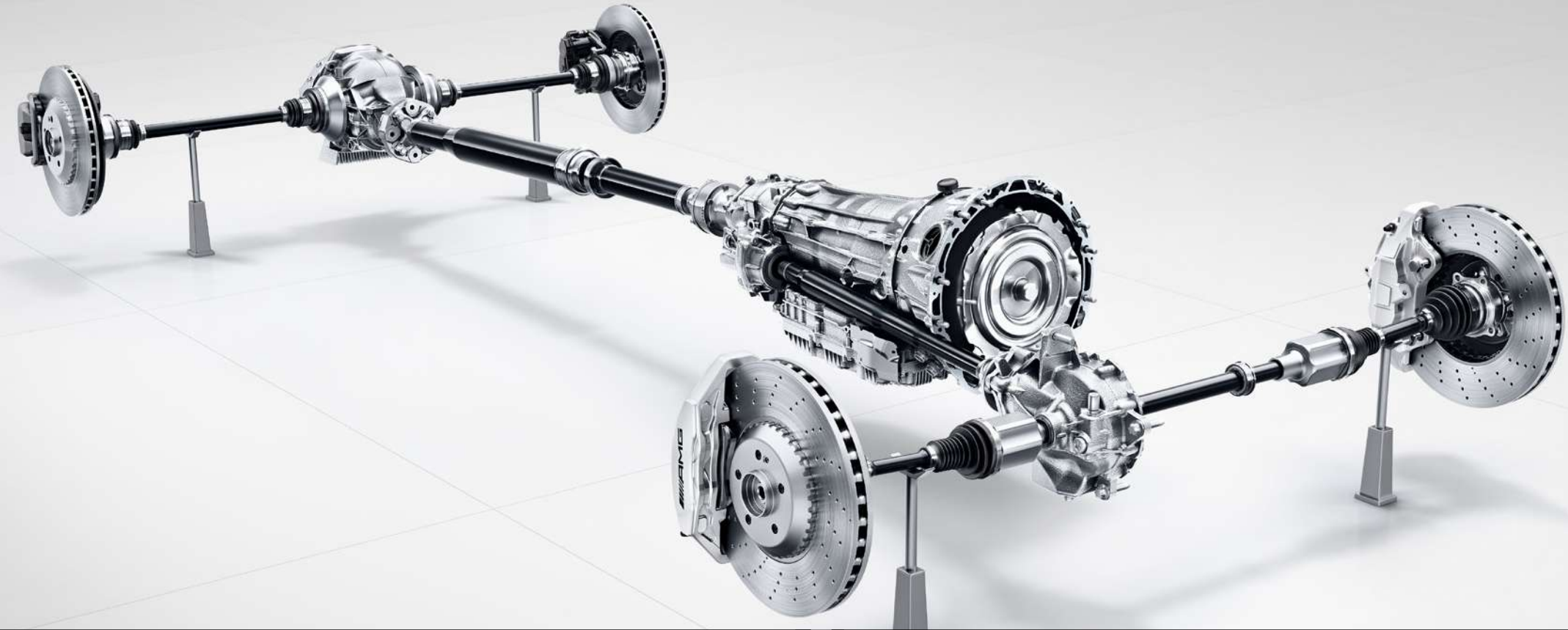
Rated Output 320 [435] HP
Rated Torque 520 NM

THE 4.0-LITRE V8 ENGINE (AMG E 63 S 4MATIC+)

The 4.0-litre V8 engine from Mercedes-AMG boasts explosive power delivery combined with very finely controllable power output. The twin-scroll turbochargers are positioned between the cylinder heads ("hot inner-V") for better response. Cylinder shutoff when power demand is low reduces fuel consumption.

Rated Output 450 [612] HP
Rated Torque 850 NM





AMG SPEEDSHIFT TCT 9G (AMG E 53 4MATIC+)

The AMG SPEEDSHIFT TCT 9G impresses sporty drivers with dynamic shift characteristics and the emotively appealing double-clutching function. Depending on the drive program via AMG DYNAMIC SELECT it masters fast, sporty gear changes or comfortable, barely noticeable shift operations

AMG SPEEDSHIFT MCT 9G SPORT (AMG E 63 S 4MATIC+)

The AMG SPEEDSHIFT MCT 9G with wet start-off clutch offers an outstanding combination of efficiency, dynamics and safety. In view of the high levels of torque to be handled, to ensure signature AMG stability the transmission is provided with a high-tech magnesium housing and various reinforcing measures.

With the AMG E63 S 4MATIC, one also gets the AMG rear axle differential lock which makes your vehicle even more agile, giving you enhanced driving pleasure.



AMG RIDE CONTROL+

The particularly sportily tuned AMGRIDE CONTROL+ suspension combines the advantages of several suspensions in one. The multi-chamber air suspension offers a very broad spread between the most comfortable and most sporty set-up and adapts to the given load. It delivers strong performance in every driving situation – just as you wish.

AMG HIGH-PERFORMANCE COMPOUND BRAKE SYSTEM WITH RED BRAKE CALIPERS (AMG E 63 S 4MATIC+)

The brake system is the perfect match for the drive performance of your Mercedes-AMG. Deceleration is finely controllable, with high fade-resistance even under heavy stress. The large brake discs are internally ventilated and perforated. On the front axle they feature composite technology. This offers the advantage of lower weight and thus greater agility.

The red-painted brake calipers with "AMG" lettering are an attractive eye-catching feature and underscore the performance capabilities of your brake system.





EXTERIOR BODYSTYLING

The Mercedes-AMG exterior impresses with its striking details: the AMG-specific radiator grille with vertical bars, AMG light-alloy wheels and the design of the tailpipe trim elements that characterize your vehicle.

✓ **Highlights:**

- Integral Mercedes star and "AMG" lettering on the AMG-specific radiator grille
 - Bonnet with pronounced powerdomes
 - "TURBO 4MATIC+ / V8 BITURBO 4MATIC+" lettering on the front wings (E 53 / E 63 S)
 - Shoulderline trim strip and window weather-strip in polished aluminium
 - AMG rear apron with diffuser insert in high-gloss black and 2 fins plus trim strip in silver chrome
 - AMG exhaust system with 2 round, chrome-plated twin tailpipe trim elements (AMG E 53 4MATIC+)
 - AMG exhaust system with 2 trapetwin tailpipe trim elements with emzoidal chrome-plated bossed "AMG" logo and characteristic ribbing (E63 S 4MATIC+)

MULTIBEAM LED (AMG E 63 S 4MATIC+)

The adaptive MULTIBEAM LED headlamps with individually controllable LEDs adapt the headlamp range and shape of the light cone continually to the current traffic conditions. Partial main beam masks out other road users without dazzling them. ULTRA RANGE main beam increases the range to the permitted maximum. The cornering and active light functions also optimally light up the field of vision.



LED HIGH PERFORMANCE HEADLAMPS (AMG E 53 4MATIC+)

The LED High Performance headlamps provide more safety at night and an unmistakable, distinctive look. LED technology illuminates the road ahead better than conventional headlamps – and it uses less energy.

Thanks to the great light range, traffic situations and obstacles can be seen earlier, thus resulting in increased safety.





ALL-LED ADAPTIVE BRAKE LIGHTS

The adaptive full-LED tail lights shine with their brilliant design and intelligent technology. These lamps featuring LED technology adjust their light intensity to the ambient conditions that leaves the road users following behind un-dazzled.

In case of sharp braking the brake lights start to flash conspicuously, which has a powerful signaling effect for following traffic. If the vehicle is slowed down to a complete standstill, the hazard warning lamps are automatically switched on.

PANORAMIC SLIDING SUNROOF

Whether open or closed, with the panoramic sliding sunroof, you experience a wonderful feeling of freedom and enjoy a pleasantly bright ambience in the interior.

- ✓ Large glass module of tinted safety glass
- ✓ Net wind deflector in the front section
- ✓ Electric roller sunblind with one-touch control
- ✓ Obstruction sensor
- ✓ Automatic rain closing function
- ✓ PRE-SAFE[®] closing function

Mercedes me CONNECT

Always stay connected.

Smartphone App Functionality

MMC App functionality,
Vehicle Health, Vehicle Status Check, Location,
Remote lock-unlock, Geo-fencing, etc.

In-Car Functionality

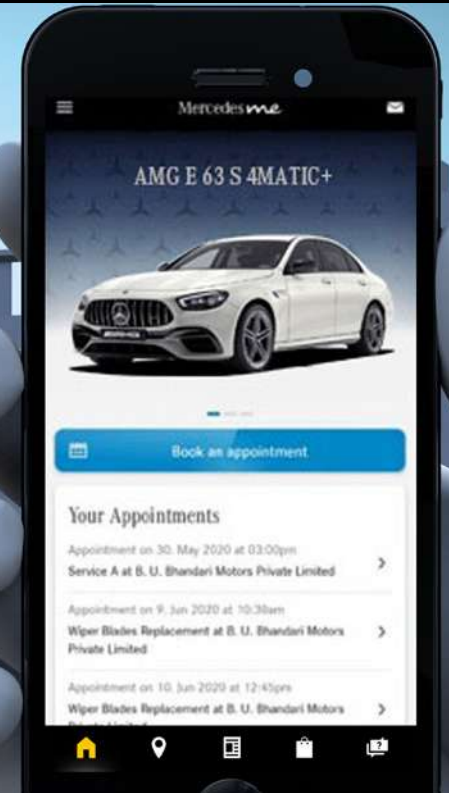
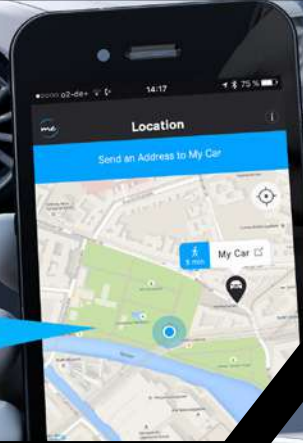
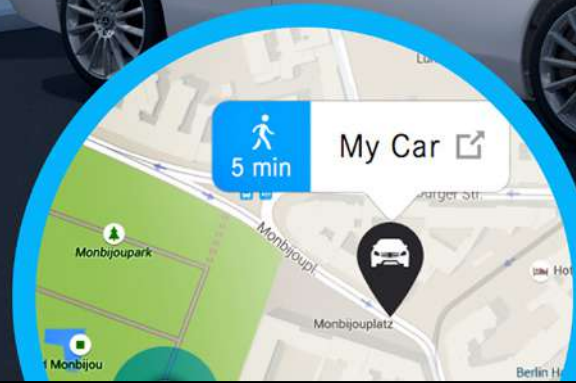
E-call, MeCall (assistance), Weather Check,
Online Search, Hey Mercedes! (MBUX)

Home Functionality

Voice Assistance -
Alexa & Google Home integration

Please note that certain services are offered free of cost for a period of three (03) years and may be chargeable at the expiry of three (03) years from the date of activation of such services. If you wish to continue using those services, you may renew the same through Mercedes Me Store (as and when it is available). Please get in touch with your preferred Dealer for more details.





VEHICLE MONITORING

- ✓ Locates and directs you to your parked vehicle within a radius of 1.5 km
- ✓ You can get your vehicle's geo-coordinates sent by GPS
- ✓ Receives alert notifications if the vehicle exceeds the set speed

Smartphone App functionalities

VEHICLE SET-UP

- ✓ Remote Engine Start
- ✓ Receives traffic information in real time and optimizes dynamic route guidance
- ✓ Remote Retrieval of Vehicle Status: Information on Mercedes me App or the Mercedes me Portal
- ✓ Remote Door Locking and Unlocking: You can conveniently remotely lock or unlock your vehicle from the Mercedes me App
- ✓ Speed Alert: Receive an alert if your vehicle exceeds a certain speed
- ✓ Send2Car function: Send your address to your vehicle via an app

Please note that certain services are offered free of cost for a period of three (03) years and may be chargeable at the expiry of three (03) years from the date of activation of such services. If you wish to continue using those services, you may renew the same through Mercedes Me Store (as and when it is available). Please get in touch with your preferred Dealer for more details.

*Please read the disclaimer.

LINGUATRONIC VOICE CONTROL SYSTEM.

- Just two words “Hey Mercedes”
- Obeys every word and talks to you
- Checks the destination, weather, changes the radio station or takes you home via the fastest route

MERCEDES-BENZ EMERGENCY CALL SYSTEM.

It saves you vital minutes in an emergency. If an accident is detected, a communications module with its own SIM card automatically triggers an emergency call which can shorten the time until rescue services arrive.

In-Car functionalities

INDIVIDUALIZATION.

- Change the ambient lighting.
- Configure the display styles on the instrument cluster and multimedia system display

ARTIFICIAL INTELLIGENCE.

- Shows the fastest route

Please note that certain services are offered free of cost for a period of three (03) years and may be chargeable at the expiry of three (03) years from the date of activation of such services. If you wish to continue using those services, you may renew the same through Mercedes Me Store (as and when it is available). Please get in touch with your preferred Dealer for more details.





ALEXA HOME INTEGRATION WITH MERCEDES ME CONNECT:

Conversations with Alexa are now more fun when the systems connect with your Mercedes-Benz via cloud and give you real time updates. This feature can be used from an Alexa Echo device setup at home, office or also from phone's Alexa App. The command starts with "Alexa, Ask Mercedes to...." To start Mercedes me skill just say "Alexa, Open Mercedes" or directly initiate a command by saying "Alexa, tell Mercedes to <command>".

Home functionalities

GOOGLE HOME INTEGRATION WITH MERCEDES ME CONNECT:

Google Home integration is also offered for Google Home users. In a similar way, once the Mercedes me connect is linked to Google Home, you can start issuing commands.



Please note that certain services are offered free of cost for a period of three (03) years and may be chargeable at the expiry of three (03) years from the date of activation of such services. If you wish to continue using those services, you may renew the same through Mercedes Me Store (as and when it is available). Please get in touch with your preferred Dealer for more details.

*Please read the disclaimer.

SMARTPHONE INTEGRATION

Smartphone Integration links the mobile phone with the media system via Apple CarPlay™ or Android Auto. You can use apps from third-party providers such as Spotify quickly and easily. The voice control is more than just an appealing feature as you can submit your requests via voice assistants in the car.



*Please read the disclaimer.



HARD-DISC NAVIGATION

This combination of Mercedes me connect services and hard-disc navigation makes your everyday life easier.

Hard-disc Navigation: Save time through fast hard-disc navigation with flexible inputs via touch control or voice input. The intelligent system guides you reliably to your destination using both local and up-to-date online data.

You can enter the data as you wish – on the touchscreen, or using the touchpad, the touch control buttons or LINGUATRONIC. The system even understands you when you use common speech. Say "Hey Mercedes, take me to..." and specify a desired location. Another special feature is "what3words". This innovative coordinates system determines every single point on earth with exactly three words.

*Please read the disclaimer.

Live Traffic Information: It receives traffic information in real time which is more precise and up-to-date than conventional systems and optimises dynamic route guidance. The data is updated every two minutes over a mobile phone connection. Sending the vehicle's location along with requests for traffic information ensures that the traffic information sent to your vehicle is the relevant information required for calculating your route and arrival time.

*Service usable free of charge for 3 years from activation, also available as an on-demand feature.

HEAD-UP DISPLAY (AMG E 63 S 4MATIC+)

Ideal for sporty driving pleasure and a superior driving experience: the head-up display transforms your windscreen into an exciting digital cockpit. This means you always have a direct view of important information. Your full attention remains on the road and the traffic conditions in front of you.

The virtual image is projected into the driver's natural field of vision and appears to hover above the bonnet. The information is clear to see even on sunny days and at night. These factors have a positive effect on your alertness, particularly on long journeys.



*Please read the disclaimer.



AMG DYNAMIC SELECT.

With the AMG DYNAMIC SELECT drive programs, you have your own personal race engineer on board.

- ✓ "Comfort": well-balanced and fuel-efficient
- ✓ "Slippery": reduced throttle response, control systems which intervene particularly early, optimum mode for rain and slippery surfaces

- ✓ "Sport": more agility and dynamics with sporty and firm suspension tuning, spontaneous throttle response and modified shift points
- ✓ "Sport+": further enhanced sportiness, suspension and drive system feature even more dynamic tuning
- ✓ "Individual": variation of individual parameters to suit personal preference

AMG TRACK PACE

AMG TRACK PACE transforms your AMG vehicle into your virtual race engineer. With the aid of lap, sector and acceleration times, plus selected live telemetry data, you can specifically analyse and improve your driving skills on closed-off circuits. All values are clearly depicted and can be read out directly in the vehicle. As well as recording drives on circuits or public routes, AMG TRACK PACE can also be used to record drives and acceleration on circuits or public routes plus from a standstill to 100 km/h or over a quarter mile and deceleration values.



AMG DRIVER'S PACKAGE (AMG E 63 S 4MATIC+)

An even greater touch of sportiness for your Mercedes-AMG: with the AMG Driver's package the limit on the vehicle's top speed is raised to 300 km/h.

For the Mercedes-AMG E 63 S 4MATIC+ there is additionally the "RACE" drive program, in which all parameters relevant to driving dynamics are configured for maximum sportiness. In the "RACE" driving mode, Drift mode can be additionally activated via the steering wheel shift paddles.



INTERIOR

You experience the authentic, luxurious sports car atmosphere as the interior represents the AMG Performance philosophy in every detail.

Look forward to a sporty interior design with characteristic highlights – and a perfect combination of dynamism and comfort.

- AMG seats with optimised lateral support, AMG-specific seat upholstery layout and "AMG" emblem in the front head restraints with Seat Comfort Package
- AMG Performance steering wheel with galvanised steering wheel gearshift paddles
- Fully digital cockpit comprising 2 displays each with a screen diagonal of 31.2 cm (12.3 inch)
- Seat heating, front
- Upper part of dashboard, beltlines and also door centre panels and armrests in ARTICO man-made leather in black with red contrasting topstitching (E 53 4MATIC+)
- Upper part of dashboard and door beltlines in black nappa leather with contrasting topstitching in crystal grey (E 63 S 4MATIC+)



WIDESCRIPT COCKPIT

Inspirational design meets a fully digital display with the Widescreen Cockpit, the instrument display and media display form a visual unit. The two fully digital colour displays are combined together beneath a joint glass cover and blend harmoniously into the interior design as a continuous surface area.

The Widescreen Cockpit meets the highest of standards in terms of display quality and operating convenience. All information is displayed in high resolution and in colour. The touchscreen control for the media display enables quick interaction.

*Please read the disclaimer.

AMBIENT LIGHTING

Showcase the interior according to your personal preferences or current mood. The 64 colours of the ambient lighting create exciting colour schemes, which can alternate dynamically or illuminate several areas in different colours.

AMG PERFORMANCE STEERING WHEEL IN NAPPA LEATHER

This AMG steering wheel is fully finished in fine Nappa leather and perforated in the grip area. The hallmark AMG flattened shape has been adopted from motorsport and underlines the sportiness of the cockpit. Ergonomically positioned touch control panels ensure intuitive user-friendliness and are conducive to focused driving.

The AMG steering wheel buttons on the AMG E 63 S 4MATIC+ are reminiscent of Formula 1 steering wheels in terms of their characteristic. With the AMG steering wheel buttons, you can make your steering wheel even sportier: they allow fast, purposeful control of specific dynamic driving functions. For an authentic racing car atmosphere in the cockpit.

AMG E 63 S 4MATIC+

AMG E 53 4MATIC+



MEMORY PACKAGE AND 4-WAY LUMBAR SUPPORT

Set, store and recall up to 3 different seat positions with ease. The position of the front seats, steering column and outside mirrors can also be stored for your convenience.

Includes the 4-way lumbar support. With this you can adjust the backrest curvature individually according to your requirements.



CENTRE CONSOLE IN BLACK PIANO-LACQUER LOOK WITH TOUCHPAD CONTROLLER AND WIRELESS CHARGING

Using the touchpad, you can operate the display of the infotainment system as you would a smartphone. Shift or enlarge the content quite simply with single gestures. Each input is confirmed with haptic feedback. The touchpad recognizes your handwriting should you wish to enter addresses or phone numbers.

What's more just drop your smartphone into its allotted place in the oddments tray for wireless charging. Irrespective of the model and brand, compatible smartphones are charged wirelessly.



HEATED FRONT SEATS

In cooler weather or as required, seat heating quickly brings the sitting surfaces and backrests up to a pleasant temperature.

Three levels of intensity can be selected.

Intelligent and convenient: the intensity of the seat heating is reduced automatically.

*Please read the disclaimer.



BURMESTER® SURROUND SOUND SYSTEM

Experience more performance and exclusivity with the legendary Burmester sound.

The 13 high-end performance speakers are precisely tailored to the vehicle interior to deliver first-class surround sound. You can specifically optimise this for the front and rear seats to intensify the listening experience.

A phenomenal listening experience that can also be seen: with the high-quality design of the speakers and the characteristically designed covers in metal including Burmester® lettering, the vehicle takes on a particularly classy look and enables you to show that you are a music lover and aficionado.

*Please read the disclaimer.

THERMOTRONIC 3-ZONE AUTOMATIC CLIMATE CONTROL

The THERMOTRONIC automatic climate control system with three climate zones and 3 climate styles provides an individual feel-good atmosphere on board. The motorist and front passenger are able to set the temperature, air distribution and climate style to suit their personal needs. The third climate zone is in the rear – with separately adjustable temperature and airflow.

- ✓ Activated charcoal fine particle filter to filter out dust, soot and pollen as well as to reduce harmful substances and odours
- ✓ Dew point sensors, demister vents: below the windscreen, and fixed vents for the side windows
- ✓ MEDIUM/FOCUS/DIFFUSE styles enable individual control of the airflow





SUN PROTECTION PACKAGE

Your all-round protection from direct sunlight and prying eyes. If necessary, you can quickly and conveniently raise the sunblinds and noticeably reduce the heating effect on the interior. At the same time you retain full visibility of the outside – they provide you with pleasant shade and vision as well.

- Electrically extendable and retractable roller sunblind, rear window
- Easily retractable side-swivelling sun visors, driver and front passenger sider. Adjustable, depending on whether irritating light is falling from the front or the side
- An LED-illuminated vanity mirror is integrated into the inner face of each
- Roller Sunblinds, rear

Park-Assistent aktiv, bremsbereit bleiben!



SAFETY AND ASSISTANCE SYSTEMS

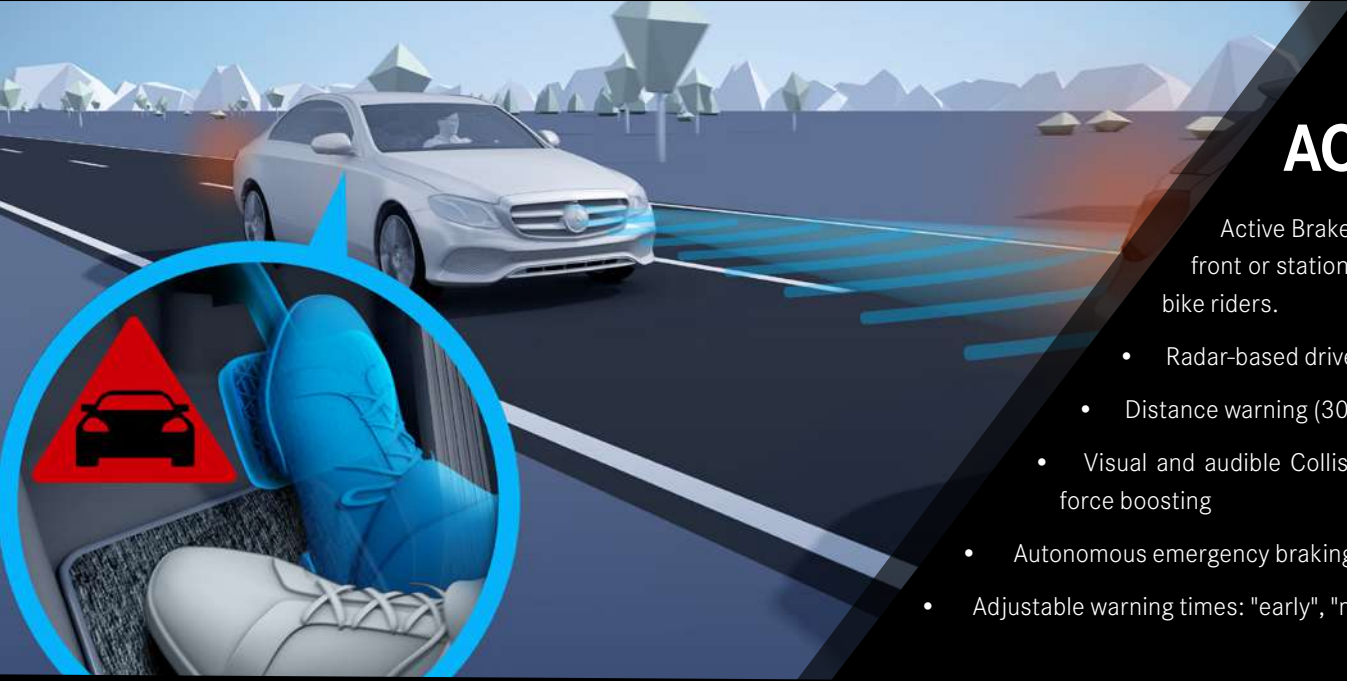
PARKING PACKAGE WITH 360-DEGREE CAMERA AND ACTIVE PARKING ASSIST WITH PARKTRONIC

Optimum parking service on board. Active Parking Assist with 360° camera makes it easier for you to find a parking space and to manoeuvre into and out of parking spaces.

Turn the stress of parking in tight spaces into a smooth and effortless exercise. Active Parking Assist with PARKTRONIC helps ease steering, and makes accelerating, braking and change of gears easier for vehicles with automatic transmission.

- ✓ 12 ultrasonic sensors
- ✓ Drive Away Assist: can briefly restrict the moving-off speed when an obstacle is detected in the direction of travel less than approx. one metre away when changing gear with the vehicle at a standstill
- ✓ Pushbutton switch for Active Parking Assist and PARKTRONIC on the centre console





ACTIVE BRAKE ASSIST

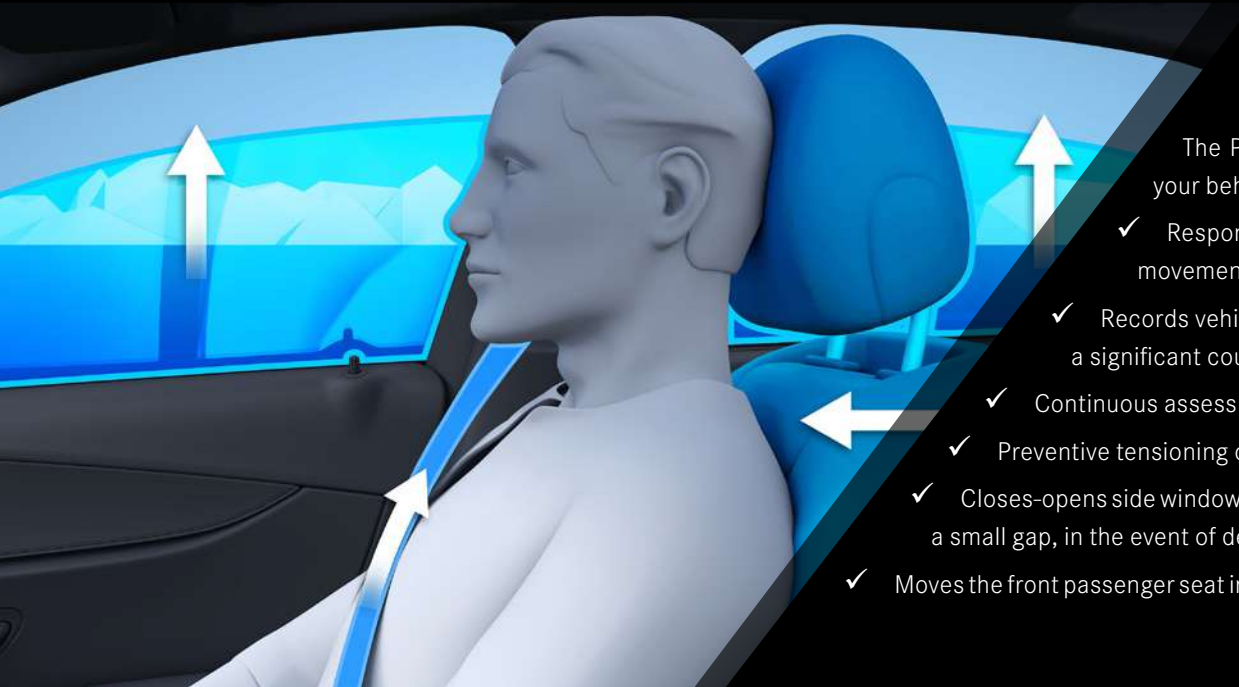
Active Brake Assist can help you to avoid rear-end collisions with vehicles in front or stationary vehicles as well as accidents with moving pedestrians or bike riders.

- Radar-based driver assistance system with mono camera
- Distance warning (30 km/h to 250 km/h) with Warning Lamp Lights
- Visual and audible Collision warning with situation-appropriate brake force boosting
- Autonomous emergency braking
- Adjustable warning times: "early", "medium" and "late"



ACTIVE BONNET

The active bonnet system minimizes pedestrian injuries by lifting the rear edge of the hood when you are involved in an accident. Raising the hood creates additional space that can serve as a cushion between the hood and the engine improving pedestrian protection.



PRE-SAFE® SYSTEM

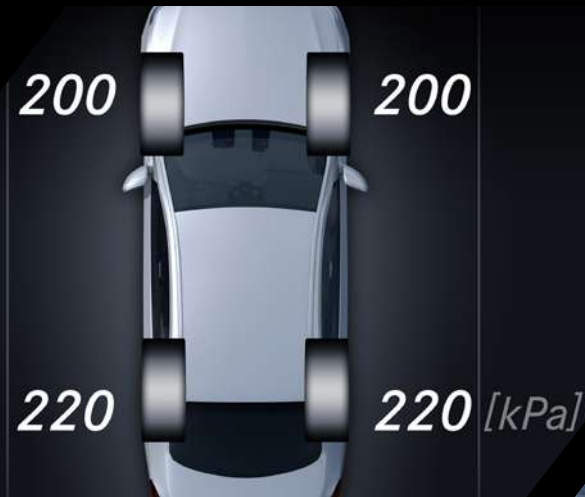
The PRE-SAFE® system makes use of the time prior to an impending accident on your behalf.

- ✓ Responds to the driver's actions like emergency braking, critical steering movements, fast switching from the accelerator pedal to the brake pedal
- ✓ Records vehicle behavior and responds to strong oversteer, understeer or also to a significant course correction by the Crosswind Assist
- ✓ Continuous assessment of the surroundings
- ✓ Preventive tensioning of the front seat belts
- ✓ Closes-opens side windows and /or the open panoramic sliding sunroof, leaving just a small gap, in the event of detecting a rollover
- ✓ Moves the front passenger seat into a more favorable position for the possible impact

KNEEBAG

The knee airbag protects your legs from contact with the steering column or the instrument panel in a severe frontal crash. This can prevent or lessen the severity of injuries. The air cushion inflates in milliseconds and stabilises the whole body. This ensures that the entire restraint system including the seat belt works together optimally.





TYRE PRESSURE MONITORING SYSTEM

The system monitors the tyre pressure for you and provides you with a warning in the event of a drop in pressure. This way you can react more quickly to this hazardous situation. Correct tyre pressure additionally increases mileage. The system provides you with stepped display messages, respectively:

- ✓ "Correct tyre pressure"
- ✓ "Check tyres"
- ✓ "Warning - defective tyres"
- ✓ "Tyres overheating"
- ✓ "Reduce speed"

TIREFIT WITH TYRE INFLATION COMPRESSOR

Your rapid temporary measure in the event of less significant tyre damage. Damage caused by driving over nails or glass fragments can be sealed by means of the sealant blown in via the air compressor. As a result, you can continue to drive to the nearest workshop at up to 80 km/h.

EMERGENCY SPARE WHEEL

The narrow emergency wheel is lightweight and makes changing a tyre in the event of a breakdown simple. This enables you to reach the next service station even in the event of more significant tyre damage which it may not be possible to repair with TIREFIT tyre sealant.

VEHICLE KEY



In high-gloss black with ornamental surround in high-gloss chrome



In high-gloss white with ornamental surround in high-gloss chrome

STANDARD PAINTWORK

AMG E 53 4MATIC+



Selenite Grey



Polar White



Graphite Grey



Obsidian Black



Cavansite Blue



Hi-Tech Silver

STANDARD PAINTWORK

AMG E 63 S 4MATIC+



Obsidian Black



Cavansite Blue



Graphite Grey



Mojave Silver



Hi-tech Silver



Selenite Grey

*Please read the disclaimer.

(*Special paint available at additional cost)



AMG E 63 S 4MATIC+
AMG NAPPA LEATHER BLACK

AMG E 53 4MATIC+
ARTICO MAN-MADE LEATHER BLACK

UPHOLSTERY

The interior of your Mercedes-AMG E-Class is a true standout. Here, you can experience the authentic, luxurious sports car atmosphere, with the interior oozing AMG Performance philosophy through every detail. Look forward to journeying in interiors that meet the highest standards of dynamism and comfort.



AMG E 63 S 4MATIC+
DESIGNO SEAT BELTS IN BLACK

AMG E 53 4MATIC+
DESIGNO SEAT BELTS IN RED



TRIM

The trim lends a stunningly distinctive look to your vehicle. It blends in harmoniously while also creating exciting contrasts. As such it reinforces and underscores the interior design. At the same time, the trim is an enduring quality attribute of a meticulously crafted premium product.

AMG E 63 S 4MATIC+

Metal-weave trim

Dashboard and door beltlines in nappa leather



AMG E 53 4MATIC+

Light longitudinal-grain Aluminium trim

Dashboard and door beltlines in ARTICO man-made leather



AMG E 53 4MATIC+

48.3 cm (19-inch) AMG 5-twin-spoke light-alloy wheels aerodynamically optimised, painted in Tantalite Grey with a high-sheen finish.

ALLOY

AMG E 63 S 4MATIC+

50.8 cm (20-inch) AMG 5-twin-spoke light-alloy wheels, aerodynamically optimised, painted in Tantalite Grey with a high-sheen finish.



THE MERCEDES-AMG E 63 S 4MATIC+ PERSONALIZATIONS.





AMG NIGHT PACKAGE

With the AMG Night Package, selected exterior elements are finished in high-gloss black. This results in strong contrasts or flowing transitions, depending on the selected paint colour. Whether exciting highlights or a sense of superior reserve, in both cases you are demonstrating your sense of individual, dynamic design.

Exterior features in high-gloss black:

- Front splitter in the AMG front apron
- Inserts in AMG side sill panels
- Trim element in the front wings
- Waistline trim strips and window weather-strips
- Exterior mirror housings (painted in the vehicle colour in conj. with paint finish in obsidian black metallic)
- Trim strip in the AMG rear apron
- 2 trapezoidal, black chrome-plated twin tailpipe trim elements

AMG HIGH-PERFORMANCE CERAMIC COMPOSITE BRAKING SYSTEM

The AMG ceramic high-performance composite brake system delivers deceleration performance that you can count on even in exceptional situations.

The brake callipers are painted in bronze, thus clearly setting them apart from the standard brake and demonstrating your appreciation of exquisite design and high-performance engineering.

AMG EXTERIOR CARBON-FIBRE PACKAGE

High-performance material meets high-performance car: the carbon-fibre features for the exterior underline the character of your Mercedes-AMG, and lend it an even more sporty look. The advantages and effects of the material perfectly suit the AMG philosophy.

AMG EXTERIOR CARBON-FIBRE PACKAGE I

Exterior features in carbon fibre:

- ✓ Front splitter in the AMG front apron
- ✓ Inserts in the AMG side sill panels
- ✓ Trim strip in AMG rear apron



AMG EXTERIOR CARBON-FIBRE PACKAGE II

Exterior features in carbon fibre:

- ✓ Outside mirror housings in carbon fibre
- ✓ AMG spoiler lip in carbon fibre

ADDITIONAL ONE CAN ALSO OPT FOR AMG CARBON-FIBRE ENGINE COVER

The engine cover in high-quality genuine carbon fibre underscores the performance level of your vehicle to impressive effect and is a real eye-catching feature as soon as the bonnet is opened.





AMG-SPECIFIC RADIATOR GRILLE, DARKENED

The engine cover in high-quality genuine carbon fibre underscores the performance level of your vehicle to impressive effect and is a real eye-catching feature as soon as the bonnet is opened.



AMG PERFORMANCE EXHAUST SYSTEM, SELECTABLE

A special acoustic experience comes courtesy of the selectable AMG Performance exhaust system. Variably adjustable exhaust gas flaps give you the option to change the sound of the vehicle at the press of a button. Depending on the drive program, the sound characteristics change from unobtrusive comfort through to maximum emotive appeal.



POWER CLOSING FOR DOOR

This is how quality sounds and feels: the power closing function closes your doors smoothly and almost silently. For this, you only need to close the door as far as it starts to engage – and your vehicle will take over the rest.

KEYLESS-GO

Maximum comfort for your day-to-day motoring: with the KEYLESS-GO Convenience Package, you can start and lock your vehicle simply by having the key on your person. The HANDS-FREE ACCESS function allows contactless, fully automatic opening and closing of the boot lid.

- Vehicle key with KEYLESS-GO functionality
- Start/stop button
- Convenience opening and closing of doors
- HANDS-FREE ACCESS (With KEYLESS-GO Comfort package)

ACTIVE MULTICONTOUR SEAT PACKAGE

The ultimate seating comfort – on longer journeys, too: integrated air cushions provide broad scope for optimising your seating position. Pleasant warmth is quickly available on request, as are eight different massage programmes. For those with a sporty driving style, the dynamic side bolsters offer optimum lateral support.

CLIMATISED FRONT SEATS

The climatized seats comprise of seat heating and seat ventilation – for ideal seating comfort all year round.

AIR-BALANCE PACKAGE

This provides an individual fragrance in the vehicle interior – in line with your personal preference and mood. Thanks to refreshing ionisation and filtering of the exterior and interior air, it also helps to ensure improved air quality on-board and a greater sense of well-being.





ENERGIZING PACKAGES

Comfort for all the senses: This package bundles together special equipment with innovative intelligence. Your Mercedes is able to vitalise you in targeted ways – for prolonged alertness at the wheel and a pleasant drive with up to eight comfort programmes.

ENERGIZING PACKAGE

- ENERGIZING comfort with five programmes
- ENERGIZING COACH
- Seat heating for driver and front passenger
- AIR-BALANCE Package for fragrancing, ionisation and filtering of the interior air
- Ambient lighting with programme-specific lighting moods

ENERGIZING PACKAGE PLUS

- ENERGIZING comfort with five programmes
- ENERGIZING COACH
- Multicontour seats for driver and front passenger
- Climate-controlled seats for driver and front passenger
- AIR-BALANCE Package for fragrancing, ionisation and filtering of the interior air
- Ambient lighting with programme-specific lighting moods



MBUX INTERIOR ASSISTANT

Enjoy contactless ease of operation: this innovative system detects and interprets your hand and arm movements. This means you can activate selected functions in a matter of seconds. The system is able to differentiate between driver and front passenger – so that you reach precisely the menus you wish to use.

BURMESTER® HIGH-END 3D SURROUND SOUND SYSTEM

Sound on a par with that of luxury home music systems. Speakers in the headliner compose a three-dimensional sound. They conduct the system like your personal orchestra. The 23 high-performance speakers with an output of 1450 watts meet the highest of standards

OPTIONAL PAINTWORK



Magno Selenite Grey



desingo Diamond White



desingo Brilliant Blue Magno



desingo Hyacinth Red

ALLOY

50.8 cm (20-inch) AMG 5-twin-spoke light-alloy wheels, aerodynamically optimized and painted in Matt Black with a high-sheen finish (RZX).



AMG EXCLUSIVE NAPPA LEATHER



nut brown / black



macchiato beige / black



two-tone - titanium grey pearl / black



AMG PERFORMANCE SEAT, HIGH-END PACKAGE

Perfect lateral stability for dynamic driving manoeuvres – combined with aesthetic appeal and comfort: the AMG Performance High-End seat package masters all disciplines. Set the seat side bolsters via the multicontour seat function and adjust the seating position electrically.

TRIMS (FRONT DASHBOARD)



Wood ash black open-pore



Wood ash brown glossy



Wood ash light brown open-pored



Wood burr walnut, glossy brown

TRIMS (FRONT DASHBOARD)



Wood ash grey open-pore



Aluminium with light longitudinal grain



Aluminium with light carbon cut



AMG trim elements carbon

TRIMS (CENTRE CONSOLE)



AMG carbon fibre



Wood ash black open-pore



Wood ash light brown open-pore



High-gloss burr walnut wood



Wood ash grey open-pore



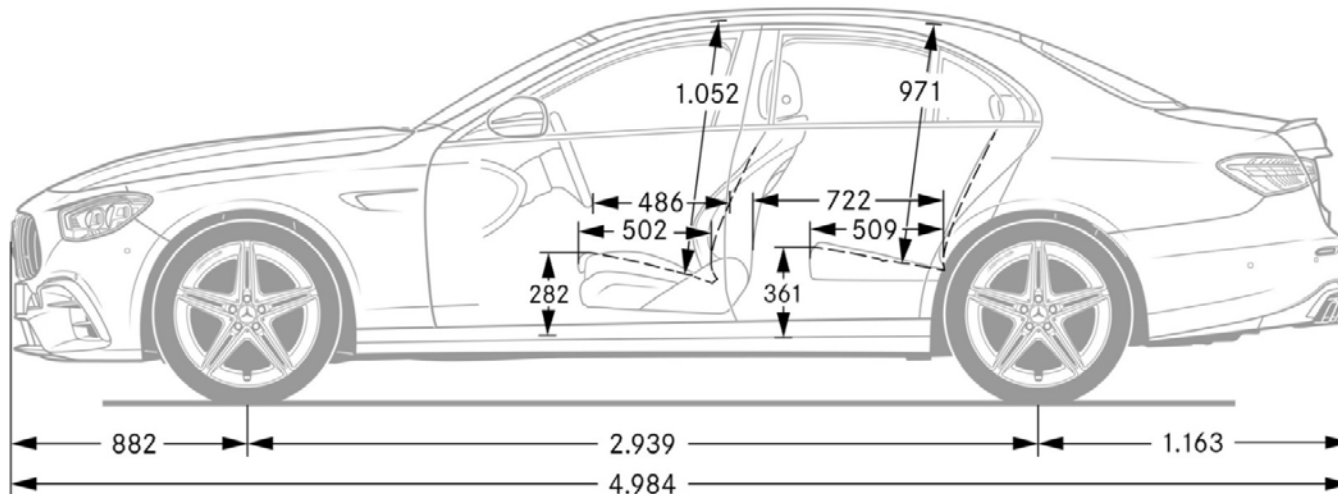
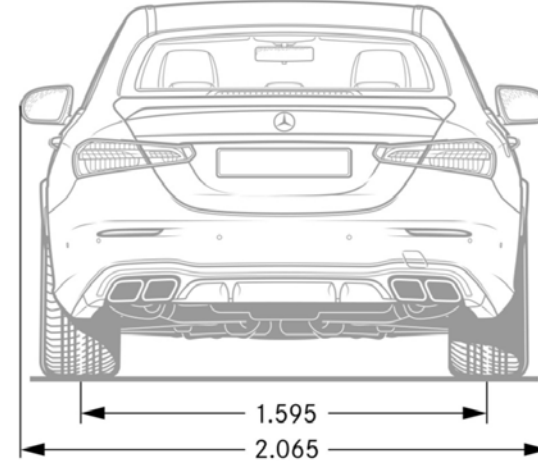
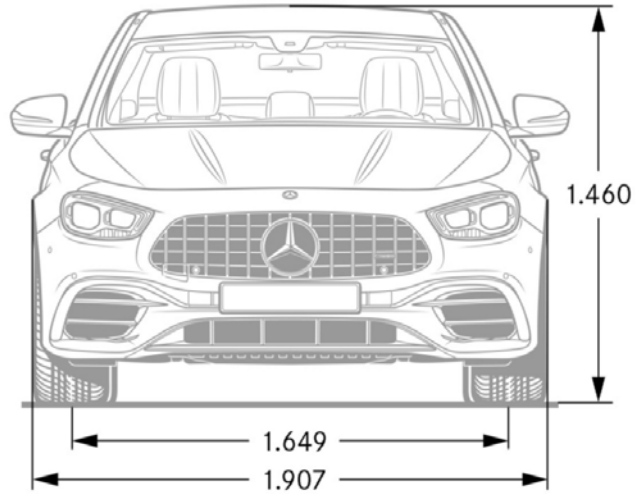
Wood ash brown glossy

TECHNICAL DATA

	Mercedes-AMG E 53 4MATIC+	Mercedes-AMG E 63 S 4MATIC+
Engine	3.0-litre L6 in-line engine	4.0-litre V8 biturbo engine
Total displacement (cc)	2999	3982
Transmission	AMG SPEEDSHIFT TCT 9G	AMG SPEEDSHIFT MCT 9G Sport
On-board Electrical System (V)	14	14
Rated Output (kW [HP] @ rpm)	320 [435] @ 6100	450 [612] @ 5750 - 6500
Rated Torque (Nm @ rpm)	520 @ 1800 - 5800	850 @ 2500 - 4500
Top Speed (km/h)	250	300
Acceleration 0-100 km/h (s)	4.5	3.4
Fuel Tank capacity/Reserve (l)	66/7	66/10
Gross Vehicle Weight (kg)	2555	2555
L x W x H (mm)	4953 x 1852 x 1447	4984 x 1907 x 1460

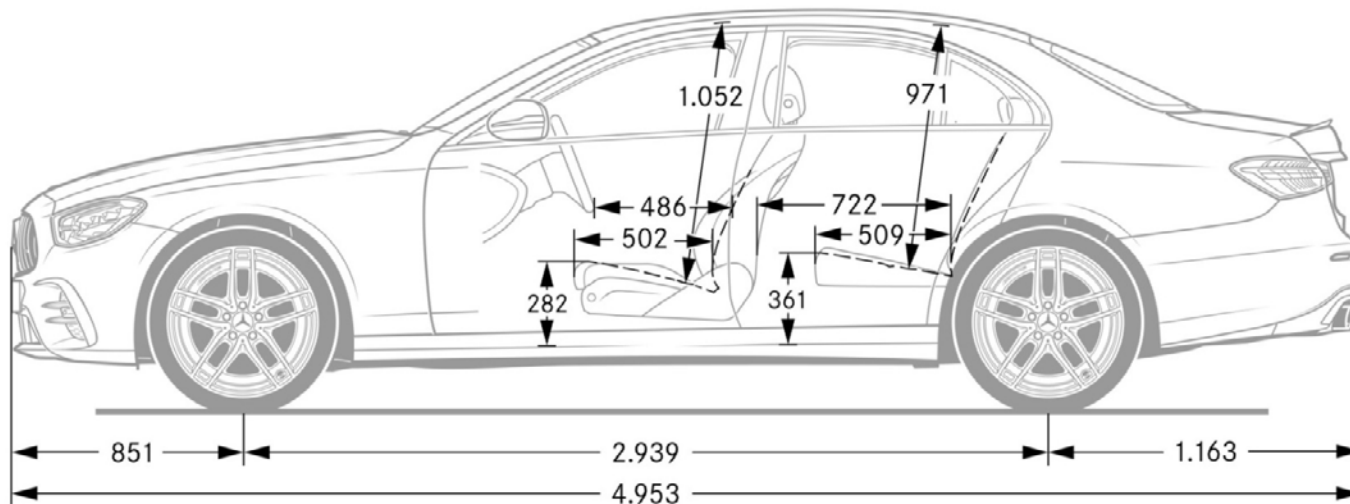
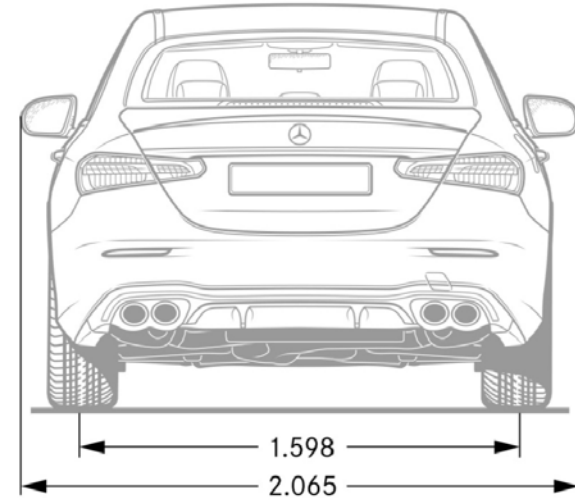
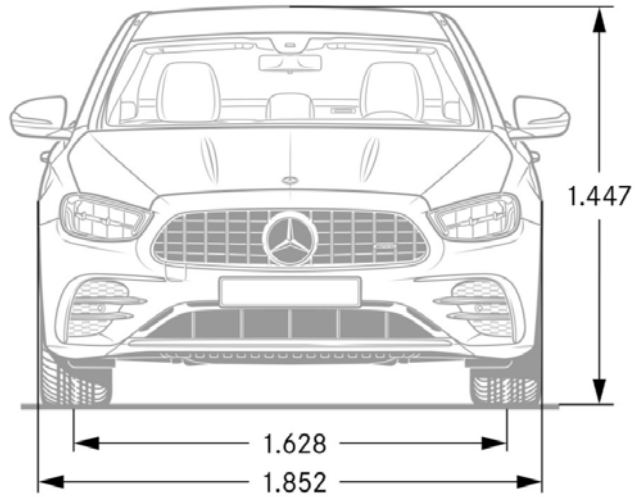
DIMENSIONS

AMG E 63 S 4MATIC+



DIMENSIONS

AMG E 53 4MATIC+



*Please read the disclaimer.

STAR EASE

MAINTENANCE PACKAGE



My Mercedes. My Service.

You enjoy life. We'll take care of your Mercedes.

The best or nothing! This statement conveys how Mercedes-Benz aspires to develop and build highly desirable, top-class vehicles. The same passion, pledge and commitment apply to the Mercedes-Benz Service too. The bouquet of world-class After-Sales products will not only attend to every need of your Star but will also redefine the concept of ownership experience with a focus on providing end-to-end customer delight. After all, you Star deserves nothing less than the best.

STAR EASE

Delivering the best-in-class value

Servicing your Star does not get any better than this. With the STAR Ease Maintenance Packages, pay a defined cost of maintenance based on the model, contract period and mileage and say goodbye to spending on service every time. Plus, enjoy exclusive features like priority handling, shorter waiting time and quicker processes.

Advance Assurance Program

Extending your warranty coverage

With Advance Assurance Program, experience complete peace of mind. While this Extended Warranty Program kicks in the moment your standard 3 years warranty comes to an end, it can be extended further up to 6 years at a nominal price. Also, it comes with a bouquet of privileges for a worry-free time with your Star.

Mobilo



My Mercedes. My Service.

MOBILO

Providing you with 24X7 mobility support.

Your vehicle comes with Mobilo which provides round-the-clock on-road assistance service. Mobilo comes as a standard for 3 years and can be extended further up to 8 years at a nominal cost. This service offers privileges like vehicle towing facility, replacement vehicle, hotel accommodation, and more.



Digital Service Drive

Ensuring convenience and transparency of service.

Servicing your Star is the last thing you will ever have to worry about. We provide transparent, convenient and hassle-free service. Our customer-friendly staff work around your busy schedule so that you have one less thing to focus on.

Now booking your appointment is quick and easy.

To book your online service appointment, visit <http://mb4.me/SelectDealer>



* Available at select locations only

My Mercedes. My Service.

Premier Express*

Because we value your time as much as you do.

Life gets busy and so we have designed Premier Express, our vehicle care service to help you get in and out quickly. While the visit will be brief, the service offered by our technicians will be comprehensive and complete. All to ensure your Mercedes-Benz is running for miles to come.

2 Years Warranty



* Terms & Conditions Apply

Mercedes-Benz Genuine Parts

Now with 2 years* of warranty.

Mercedes-Benz Genuine Parts are crafted to the state-of-the-art standards of Mercedes-Benz, protecting your vehicle's performance while maintaining the style, comfort and safety, for years to come. Also, they come with a warranty of up to 2 years, ensuring a peaceful ownership experience.



My Mercedes. My Service.

Mercedes-Benz Approved Tyres and Rims

Ensuring every ride is a safe and joyful one.

Maximise the safety and comfort of your Star with Mercedes-Benz approved tyres and rims. While the Mercedes-Benz approved tyres are designed to optimally match your car's performance, the Mercedes-Benz approved rims are designed to lend an exceptional style to the exterior of your Star and are also engineered for optimal performance.

Mercedes-Benz Genuine Chemical Products

Because your Star deserves nothing but the original.

Mercedes-Benz Genuine Chemical Products are specially tested for compatibility with the materials in our cars and meet the high quality standards. Also, our products have been approved under Daimler AG's strict, self-imposed environmental norms. Now with Mercedes-Benz Genuine Chemical Products, experience a whole new world of superior products that support throughout the car's life cycle.

Mercedes-Benz India Private Limited: E-3, MIDC Chakan - Phase III, Chakan Industrial Area, Kuruli & Nighoje, Tal: Khed, Pune - 410 501 (India)
Toll free No.: 0008000501888. e-mail: cs.ind@cac.mercedes-benz.com, **website: www.mercedes-benz.co.in**

Please note: This brochure is intended for general information, description and illustration of the Product including optional functions and equipment and may not be specific to a Product since specification of a product may change from time to time. Optional features, functions and equipment etc. may not be present in the Standard or Variant Product or Special Edition Product. Further, Standard specifications of a product may also vary from time to time. Colours may differ from those shown in pictures in the brochure. Mercedes-Benz India reserves the right to make changes without prior notice, in design, colours, materials, components, equipment, specifications, features, functions, make and models etc. The information given in this brochure shall be regarded as accurate at the time of launch and may vary thereafter due to any developments or any other reason. Interested customers should reach out to the Authorised Dealer for further information on the exact specifications, features of the product.

Images shown are for representation purposes only. Some of the vehicles in the Brochure are left hand drive wheel. However, Mercedes-Benz India only manufactures and sells vehicles as per the applicable motor vehicle regulations in India. All vehicles sold by Mercedes-Benz Authorized Dealers shall be with right hand drive wheels only.

All title, ownership rights and intellectual property rights in and relating to this brochure/magazine or publication material or any copies thereof including but not limited to copyright, logos, names, trademarks, service marks, design, text, images, links, concepts and themes are owned by Daimler AG and/or its subsidiaries collectively or used under authorised license by the Daimler AG. Any reproduction, transmission, publication, performance, broadcast, alteration, license, creation of derivative works or other use in whole or in part in any manner without the prior written consent of Mercedes-Benz India Pvt. Ltd is strictly prohibited.

Please note that certain services are offered free of cost for a period of three (03) years and may be chargeable at the expiry of three (03) years from the date of activation of such services. If you wish to continue using those services, you may renew the same through Mercedes Me Store (as and when it is available). Please get in touch with your preferred Dealer for more details.

Mercedes-Benz cars: The Mercedes-AMG E 53 4MATIC+ and Mercedes-AMG E 63 S 4MATIC+ meets Bharat Stage VI equivalent emission norms.

CIN - U34102PN1994PTC083160