



A4

Audi A4 |  Audi S4

Vorsprung durch Technik 



Page

01	Audi A4
03	Audi S4
05	Standard Equipment
07	Seats/seat covers
08	Paints/wheels/tyres
09	Technical data
11	Dimensions



A giant leap of progress.

The Audi A4. With even more technical finesse, even more comfort and even more powerful engines. And even more intelligence.

You see, a lot has changed, but one thing remained – the Audi A4 is unmistakably an Audi. Unmistakeably a personality.

The Audi A4. A giant leap of progress.





Increased dynamics. Enhanced efficiency.

Power. Efficiency. Intelligence. Concepts that are united in one symbol: the S emblem. An Audi that bears this symbol in its name belongs to an impressive tradition of superior sports cars. Like the Audi S4. A car whose power delivery and acceleration are simply breathtaking. But the S concept embodies more than that. The Audi S4 combines powerful and efficient technology with a high degree of functionality. In other words: the Audi S4 is seamlessly continuing the S tradition – it is setting standards.

The heart of the Audi S4 beats for motorsport – and powerfully at that. The supercharged 6-cylinder engine with an impressive 245 kW uses the intelligent TFSI® technology. Thanks to its extremely spontaneous responsiveness and exceptional power delivery across the entire speed range, the 6-cylinder engine promotes a particularly dynamic driving style, which is additionally supported by the S sports suspension.





Exterior

- ▶ Xenon Plus headlamps with day-time running lights.
- ▶ Front fog lights
- ▶ LED rear lights
- ▶ Light & rain sensor
- ▶ Aluminium exterior mirror housings (S4 only)
- ▶ Rear spoiler (S4 only)

Interior

- ▶ Leather-covered multifunction steering wheel, 4-spoke
- ▶ Inlays in wood, Walnut Brown
- ▶ Seat upholstery in Milano leather (Optional)
- ▶ Floor mats
- ▶ Front center armrest
- ▶ Rear headrest
- ▶ Folding rear seat back
- ▶ "S" emblem on the steering wheel (S4 Only)
- ▶ Inlays in matte brushed aluminium (S4 only)
- ▶ Scuff plates in door with "S" badge (S4 only)
- ▶ Leather-covered multifunction sports steering wheel, 3-spoke, with shift paddles (S4 only)
- ▶ Alcantara/Leather combination (S4 only)

Comfort

- ▶ Glass sunroof
- ▶ Front seats, electrically adjustable
- ▶ Sunblinds, electrical for rear window, manual for rear side windows.
- ▶ Exterior mirrors, electrically adjustable, heated and folding.
- ▶ Audi Parking System Plus
- ▶ Cruise control
- ▶ Storage package
- ▶ Three-zone automatic air conditioning
- ▶ Drivers seat with memory function, electrically adjustable front seats (S4 Only)
- ▶ Sports front seats (S4 Only)

Infotainment

- ▶ Audi music interface
- ▶ Bluetooth interface
- ▶ Concert radio
- ▶ Symphony radio (S4 only)
- ▶ Driver Information System with colour display

Safety

- ▶ Anti-theft bolts
- ▶ Anti-theft alarm
- ▶ Auto release function
- ▶ First aid kit and warning triangle
- ▶ Side airbags, front and rear



Standard seats, front

Leather upholstery and trim



Milano leather, black

Inlays



Walnut, dark brown



Milano leather, titanium grey



Milano leather, velvet beige

Metallic/pearl effect paint finishes



Ice Silver, metallic

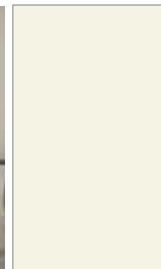


Teak Brown, metallic¹

Single-colour paint finishes



Ibis White



Audi exclusive customised paint finishes



Audi exclusive customised paint finishes
From quattro GmbH



Moonlight Blue, metallic



Phantom Black, pearl effect¹



Brilliant Red



Audi A4



Cast aluminium wheels in 5-spoke design
size 7.5 J x 16 with 225/55 R16 tyres

Audi S4



Cast aluminium wheels in 5-parallel-spoke design (S design)
size 8 J x 18 with 245/40 R18 tyres

Space-saving spare wheel

Wheel bolts, anti-theft
can only be loosened with the supplied adapter

Spare wheel, space-saving

Tyre pressure loss indicator
visual and acoustic warning if the pressure drops in one or more tyres; display in the driver information system

Vehicle tool kit
in the luggage compartment

Vehicle jack
in the luggage compartment

Model	A4 1.8 TFSI (125 kW)	A4 2.0 TDI (105 kW) with diesel particulate filter	A4 3.0 TDI quattro® (180 kW) with diesel particulate filter	S4 3.0 TFSI quattro® (245 kW)
Engine type	4-cylinder in-line petrol engine with direct fuel injection, exhaust-gas turbocharging and Audi valvelift system	4-cylinder in-line diesel engine with common rail injection system and exhaust-gas turbocharging	V6 diesel engine with common rail injection system and exhaust-gas turbocharging	V6 petrol engine with direct fuel injection and mechanical charger module
Displacement in cc (valves per cylinder)	1798 (4)	1968 (4)	2967 (4)	2995 (4)
Max. output ¹ in kW at rpm	125/3800-6200	105/4200	180/4000-4500	245/5500-6500
Max. torque in Nm at rpm	320/1400-3700	320/1750-2500	500/1400-3250	440/2900-5300
Power transmission/wheels				
Drive type	Front-wheel drive	Front-wheel drive	Permanent all-wheel drive quattro®	Permanent all-wheel drive quattro®
Transmission type	multitronic	multitronic	7-speed S tronic	7-speed S tronic
Wheels	Cast aluminium alloy wheels, 7.5 J x 16	Cast aluminium alloy wheels, 7.5 J x 16	Cast aluminium wheels, 5-arm design 7.5 J x 17	Cast aluminium wheels, 5 Parallel spoke design (S Design) 8 J x 18
Tyres	225/55 R16	225/55 R16	225/50 R17	245/40 R18
Weights/capacities	Saloon	Saloon	Saloon	Limousine
Unladen weight ² in kg	1545	1590	1755	1780
Gross vehicle weight in kg	2020	2065	2230	2255
Fuel tank capacity, approx. in l	63	63	61	61
Performance/consumption				
Top speed in km/h	225	210	250 ³	250 ³
Acceleration 0-100 km/h in s	8,3	9,1	5,9	5,0
Fuel grade	Sulphur-free super unleaded RON 95 ⁴	Sulphur-free diesel ⁵	Sulphur-free diesel ⁵	Sulphur-free super unleaded RON 95 ⁴
Fuel consumption ⁶ km/L	15.64	16.55	14.94	10.34
Emission standard	EU5	EU5	EU5	EU5

Notes

- ¹ The figure given has been calculated in accordance with the specified measuring procedure (current version of Directive 80/1269/EEC).
- ² Unladen vehicle weight includes driver (68 kg), 7 kg of luggage and fuel tank 90% full, calculated in accordance with the current version of Directive 92/21/EEC. Optional equipment may increase the car's unladen weight and drag coefficient, whereupon the possible payload limit and the top speed will be reduced accordingly.
- ³ Regulated.
- ⁴ We recommend using sulphur-free super unleaded RON 95 in accordance with DIN EN 228. If not available, use sulphurfree regular unleaded RON 91 in accordance with DIN EN 228; power output will be slightly reduced. Unleaded RON 95 fuel with a maximum ethanol content of 10% (E10) can generally be used. Fuel consumption details refer to operation with RON 95 fuel in accordance with 692/2008/EC.
- ⁵ We recommend using sulphur-free diesel in accordance with DIN EN 590. If not available: diesel in accordance with EN 590.
- ⁶ The values stated were calculated using specified measuring procedures as per Bharat Stage IV by the ARAI.

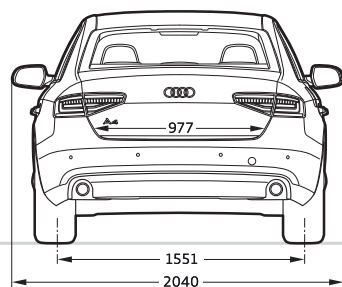
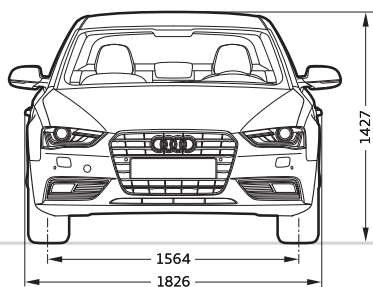
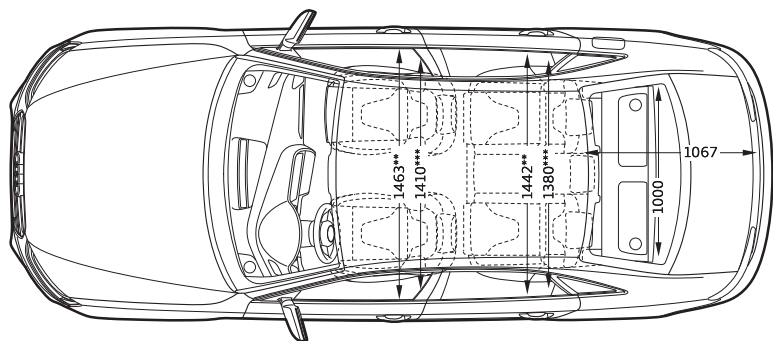
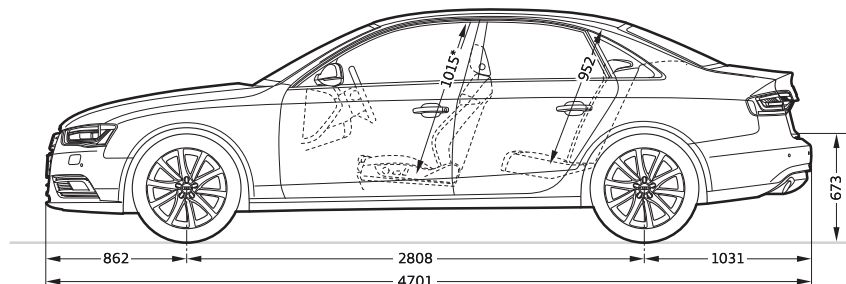
Important note

Inspections are due as shown by the service display (every 15,000 km for models with flexible fuel).

The information contained herein is accurate as of the date of publication. Illustrations may show equipment which is optional and not part of standard specifications. Models, combinations and configurations, colours and equipment illustrated may differ from products supplied in the Indian market. Audi may alter or change designs, specifications, and combinations and configurations. Please contact an authorised Audi dealer for more exact information.

Some of the images & features shown are relevant to markets overseas and are shown for illustrative purpose only. These images may not be similar to right hand driven vehicles sold in India. Availability of specific models & variants are subject to release in India.

Audi A4



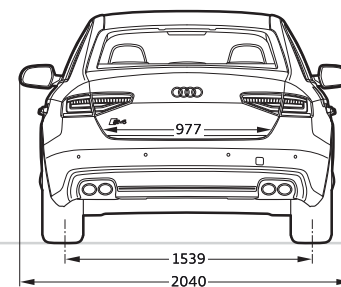
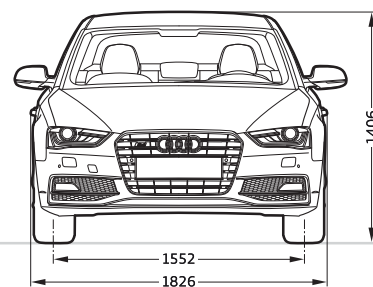
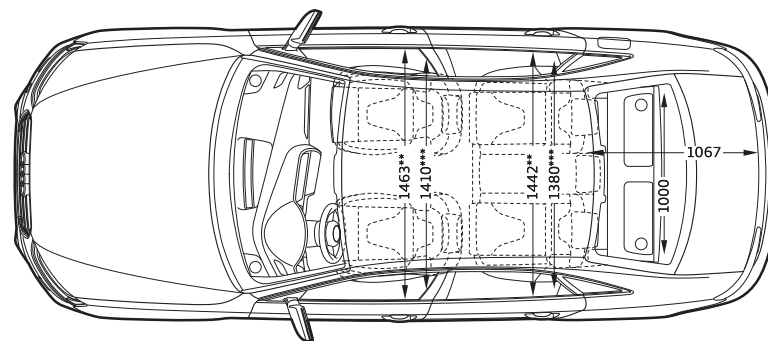
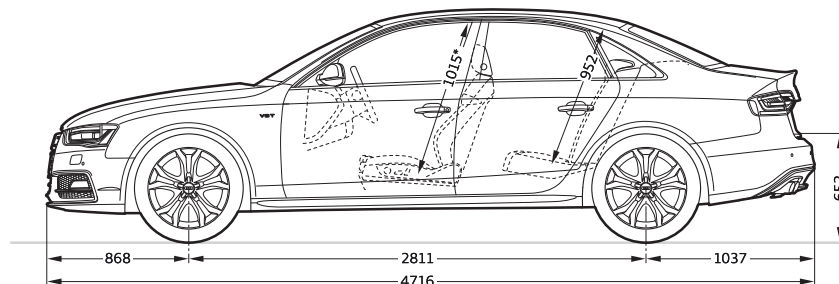
Dimensions in millimetres.

Dimensions are for vehicle at unladen weight.

Luggage compartment volume 480/962 l (measured by the VDA method, using 200 x 100 x 50 mm blocks; second value with rear seat back folded down and vehicle loaded up to the rear parcel shelf). Turning circle approx. 11.5 m

*Maximum headroom. **Elbow room width. ***Shoulder room width.

Audi S4



Dimensions in millimetres.

Dimensions are for vehicle at unladen weight.

Luggage compartment volume 480/962 l (measured by the VDA method, using 200 x 100 x 50 mm blocks; second value with rear seat back folded down and vehicle loaded up to the rear parcel shelf). Turning circle approx. 11.5 m

*Maximum headroom. **Elbow room width. ***Shoulder room width.



Audi India
Division of Volkswagen
Group Sales India Private Limited
Mumbai - India
www.audi.in

Printed in India
Valid from May 2012