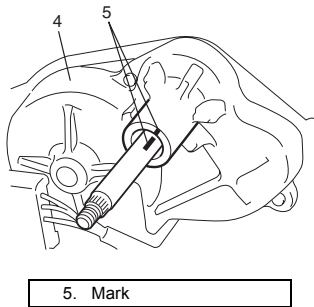
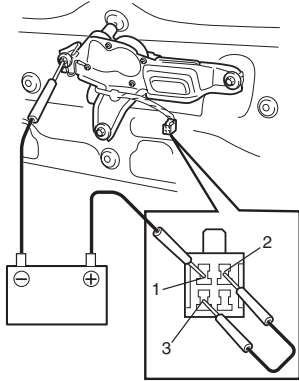


- For automatic stop operation
 - a. Connect battery positive (+) terminal to terminal "1" and its negative (-) terminal to body ground and let the motor turn.
 - b. Connect terminal "2" and "3" by a jumper wire.
 - c. Observe the motor (4) turns once again then stops at a specified position as shown.



I5JB0A940019-01

5. Mark

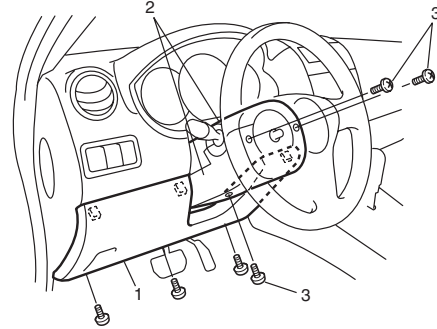
- d. Repeat Step a. to c. several times and check that the motor stops at the specified position every time.
If check result is not satisfied, replace motor.

Windshield Wiper and Washer Switch Removal and Installation

S5JB0A9406008

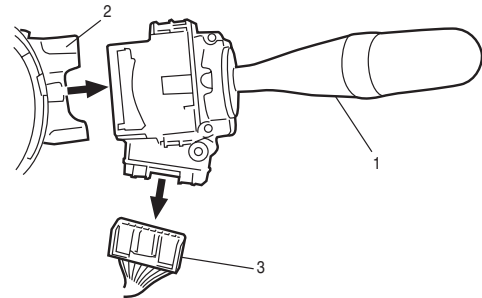
Removal

- 1) Disconnect negative (-) cable at battery.
- 2) Remove steering column hole cover (1).
- 3) Remove steering column covers (2).
Turn steering wheel to access steering column cover rear end screws (3).



I5JB0A940020-02

- 4) Remove windshield wiper and washer switch (1) from combination switch assembly (2) and disconnect its coupler (3).



I4RS0B940008-01

Installation

Reverse removal procedure.

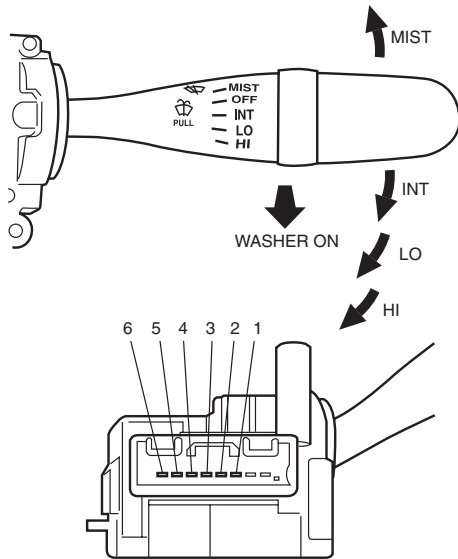
9D-11 Wipers / Washers:

Windshield Wiper and Washer Switch Inspection

S5JB0A9406009

Windshield Wiper and Washer Switch

Check for continuity between terminals at each switch position. If check result is not as specified, replace switch.



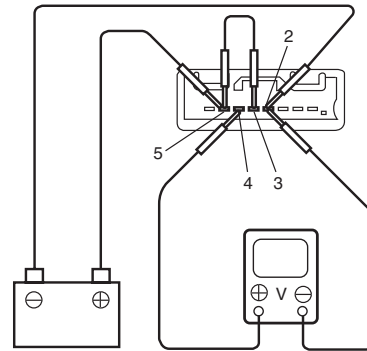
Wiper SW	Terminal	6	5	4	3
OFF				○—○	○—○
INT				○—○	○—○
LO			○—○		
HI		○—○			
MIST			○—○		

Washer SW	Terminal	1	2
ON		○—○	
OFF			

I4RS0B940009-03

Intermittent Wiper Relay Circuit

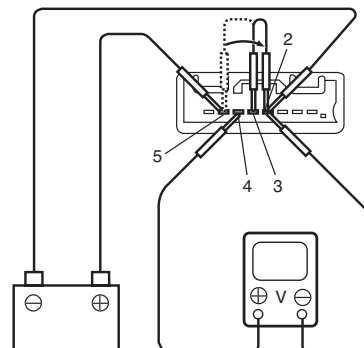
- 1) Turn the windshield wiper switch to "INT" position.
- 2) Connect battery positive (+) terminal to terminal "5" and its negative (-) terminal to terminal "2".
- 3) Connect voltmeter positive lead to terminal "4" and its negative lead to terminal "2".
- 4) Check that the voltmeter indicates the battery voltage (10 – 14 V).
- 5) Connect terminal "3" and terminal "5" by a jumper wire.



I4RS0B940010-01

- 6) Disconnect end of the jumper wire from terminal "5".
- 7) Connect disconnected jumper wire end to terminal "2", then check that voltage between terminal "4" and terminal "2" changes as shown. If check result is not satisfied, replace switch.

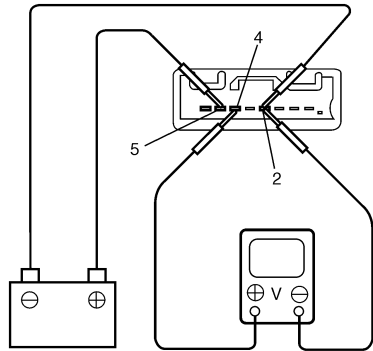
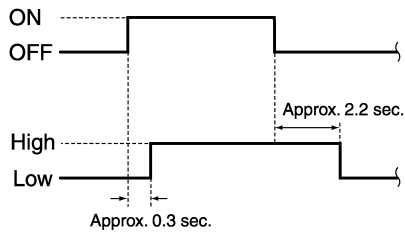
INT time control switch position	Voltage
	10-14V ———— 0V ———— 1.6 ± 1 sec.
	10-14V ———— 0V ———— 10.7 ± 5 sec.



I4RS0B940011-01

Washer Linked Circuit

- 1) Make sure that front wiper switch is at "OFF" position.
- 2) Connect battery positive (+) terminal to terminal "5" and its negative (-) terminal to terminal "2".
- 3) Connect voltmeter positive lead to terminal "4" and its negative lead to terminal "2".
- 4) When front washer switch is ON, check that voltage changes as shown in figure.
If check result is not satisfied, replace switch.



I4RS0B940012-01

Rear Wiper and Washer Switch Removal and Installation

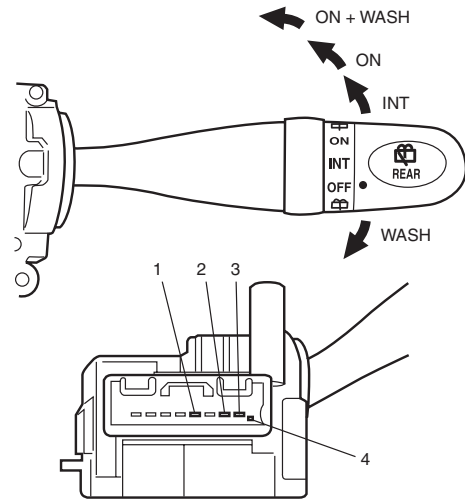
S5JB0A9406010

For removal and installation, refer to "Windshield Wiper and Washer Switch Removal and Installation".

Rear Wiper and Washer Switch Inspection

S5JB0A9406011

Check for continuity between terminals at each switch position. If check result is not as specified, replace switch.



Terminal	1	2	3	4
Position OFF				
Position INT	○			○
Position ON	○		○	
Position ON + WASH	○	○	○	
Position WASH	○	○		

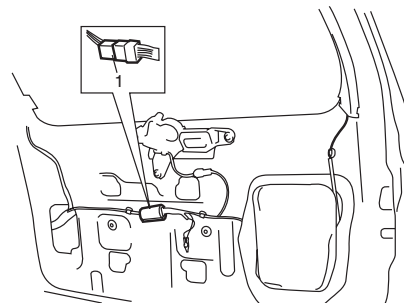
I4RS0B940013-03

Rear Wiper Relay Removal and Installation

S5JB0A9406012

Removal

- 1) Disconnect negative (-) cable at battery.
- 2) Remove rear end door trim from rear end door referring to "Rear End Door Lock Assembly Removal and Installation in Section 9F".
- 3) Remove rear wiper relay (1).



I5JB0A940021-01

Installation

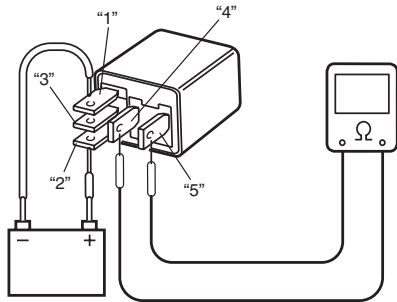
Reverse removal procedure for installation.

9D-13 Wipers / Washers:

Rear Wiper Relay Inspection

S5JB0A9406013

- 1) Check that there is no continuity between terminal "4" and "5". If there is continuity, replace relay.
- 2) Check that there is continuity between terminal "3" and "5". If there is no continuity, replace relay.
- 3) Connect battery positive (+) terminal to terminal "2" of relay.
- 4) Connect battery negative (-) terminal to terminal "1" of relay.
- 5) Check continuity between terminal "4" and "5". If there is no continuity when relay is connected to the battery, replace relay.

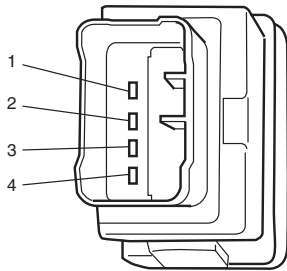


I5JB0A940022-01

Headlight Washer Switch Inspection (If Equipped)

S5JB0A9406014

Check for continuity between terminals at each switch position.
If check result is not as specified, replace switch.



Terminal	1	2	3	4
Switch Position				
OFF	○		○ ⊕	○
ON (PUSH IN)		○	○ ⊕	○

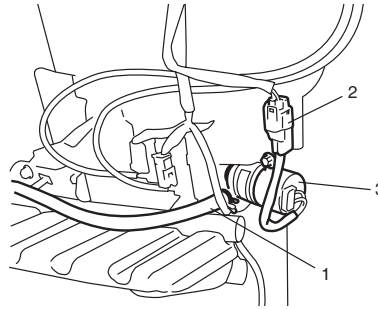
I5JB0A940023-01

Headlight Washer Pump Removal and Installation (If Equipped)

S5JB0A9406015

Removal

- 1) Remove front bumper referring to "Front Bumper Components in Section 9K".
- 2) Disconnect headlight washer hose (1) and washer pump connector (2) from headlight washer pump (3).
- 3) Remove headlight washer pump from washer tank.



I5JB0A940024-01

Installation

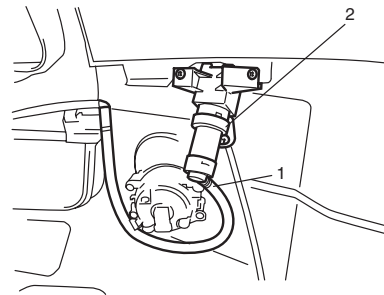
Reverse removal procedure for installation.

Headlight Washer Nozzle Removal and Installation (If Equipped)

S5JB0A9406016

Removal

- 1) Remove front bumper referring to "Front Bumper Components in Section 9K".
- 2) Disconnect headlight washer hose (1) from headlight washer nozzle (2).
- 3) Remove headlight washer nozzle from front bumper.



I5JB0A940025-01

Installation

Reverse removal procedure for installation.