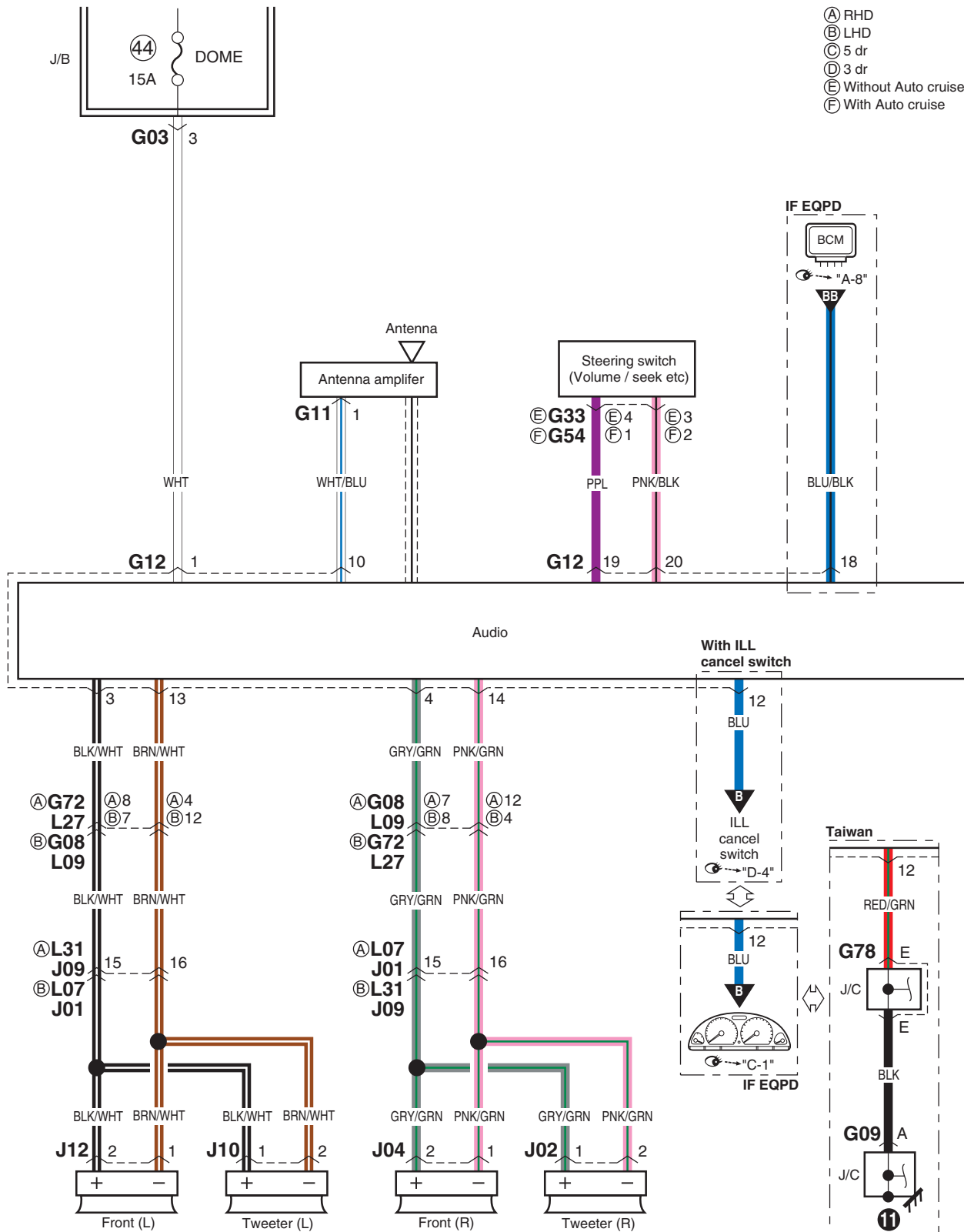
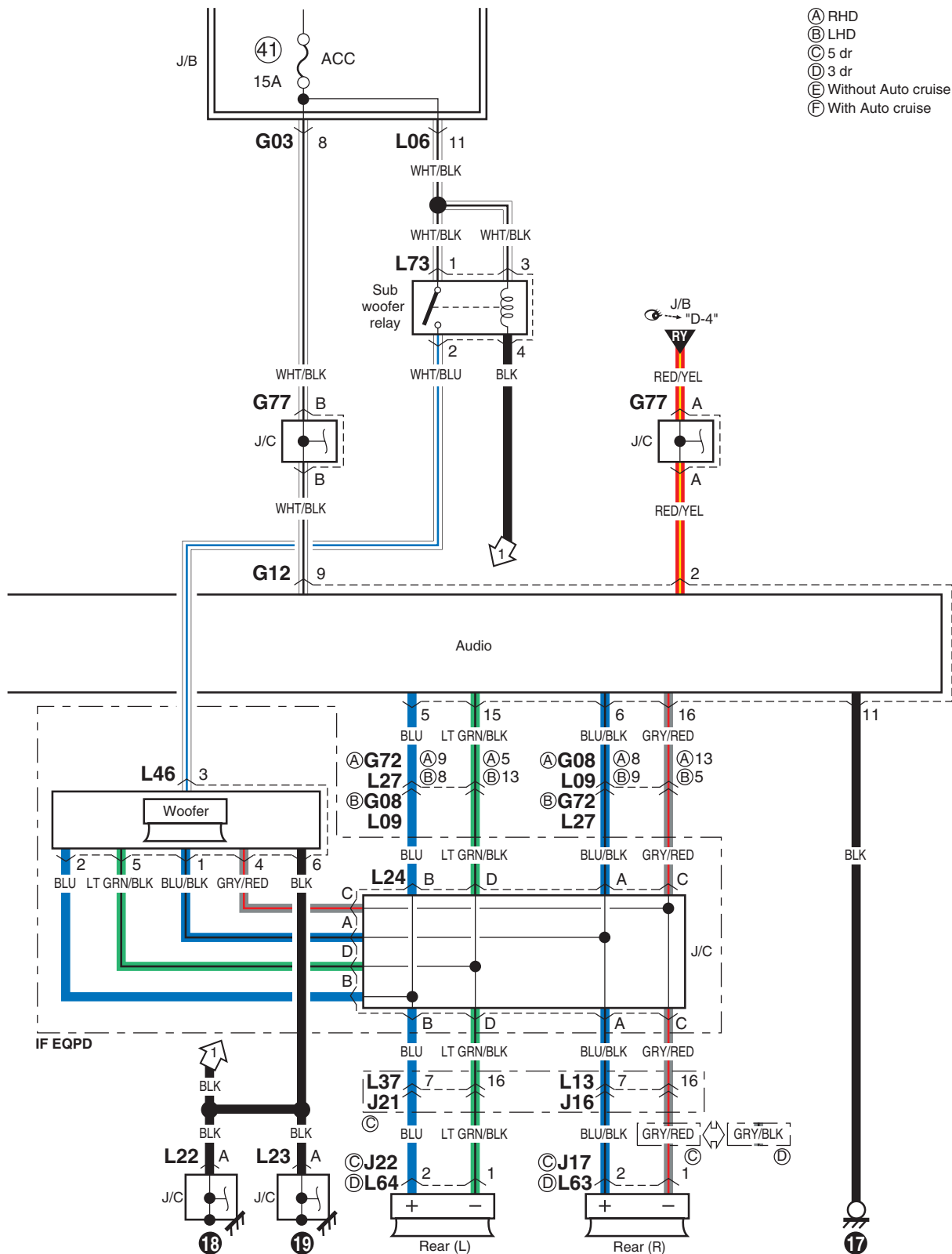


G-1 Audio System Circuit Diagram

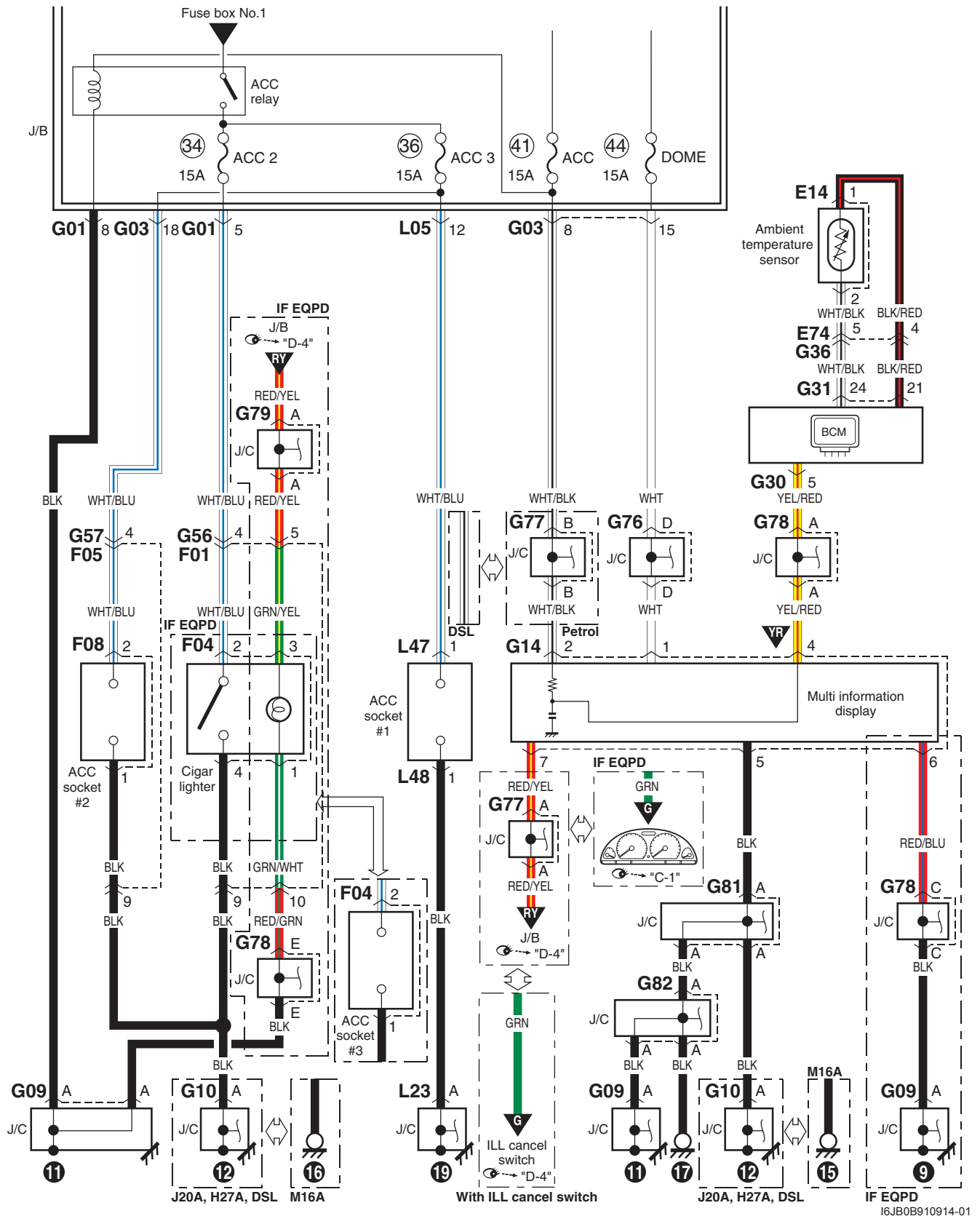
S6JB0A910E042





G-2 Multi Information Display / Accessory Socket System Circuit Diagram

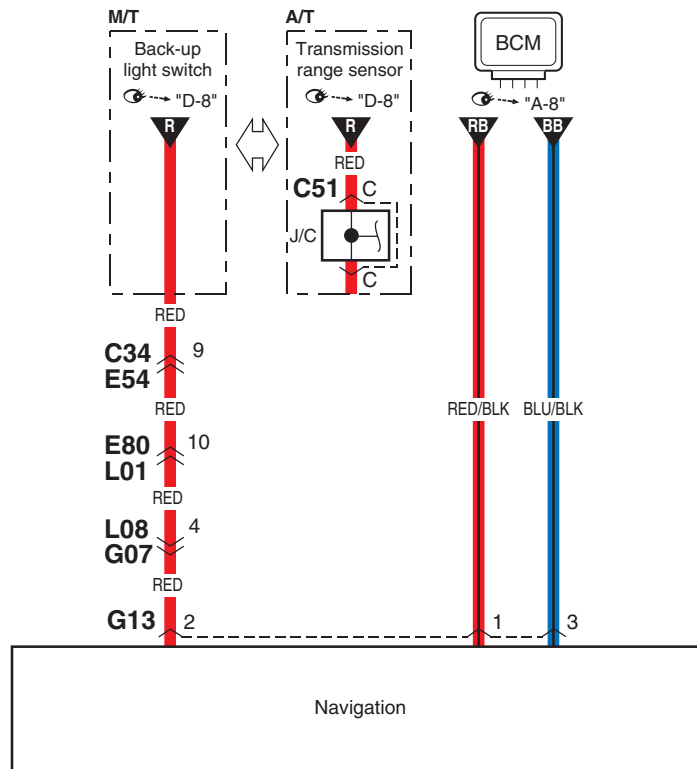
S6JB0A910E043



I6JB0B910914-01

G-4 Navigation System Circuit Diagram

S6JB0A910E044



15JB0A910991-05

List of Connector



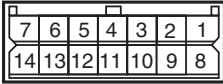
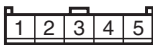
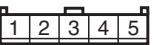

List of Connectors

S6JB0A910F001

- Refer to "B Connector".
- Refer to "C Connector".
- Refer to "E Connector".
- Refer to "F Connector".
- Refer to "G Connector".
- Refer to "J Connector".
- Refer to "K Connector".
- Refer to "L Connector".
- Refer to "O Connector".
- Refer to "Q Connector".
- Refer to "R Connector".

B Connector

S6JB0A910F002

<p>B01 (TO E17)</p>  <p>MCONM010033-01 Early J20A only</p>	<p>B02</p>  <p>MCONF010076-01 Early J20A only</p>	<p>B03 (TO G16)</p>  <p>MCONM140005-02</p>	<p>B04</p>  <p>MCONF050021-01</p>	<p>B05</p>  <p>MCONF050021-01</p>
<p>B06</p>  <p>MCONF050021-01</p>				