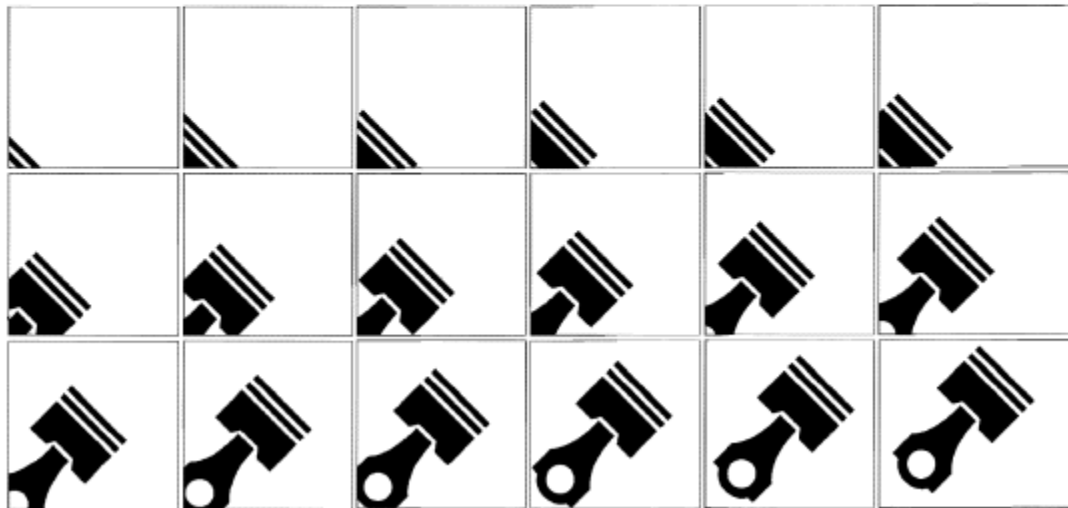




# Parts Catalog

---

## CEDIA



## FOREWORD

This parts catalog contains service parts information for the "MITSUBISHI LANCER".

The vehicle models covered by this catalog are listed under "Applicable Vehicle Models" given later.

To make effective use of this catalog, please read and become thoroughly acquainted with the "General Information".

(The information complied herein is based on available data as of March 28, 2008.)

The parts numbers are subject to change without prior notice.

### MITSUBISHI GENUINE PARTS

Use "MITSUBISHI GENUINE PARTS" exclusively for servicing your Mitsubishi vehicle.

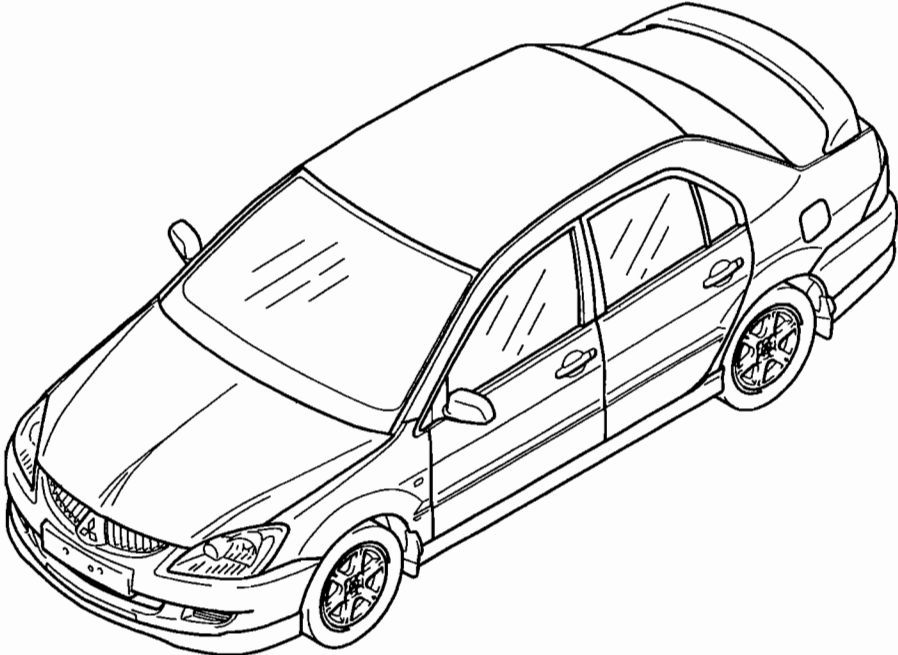
"MITSUBISHI GENUINE PARTS" are superior and reliable because they have been produced under the most stringent quality-control system, and have met the standard after strict inspection.

Imitation parts are not recommended due to inferior materials and manufacturing methods that do not conform to the standards established for Mitsubishi genuine parts.

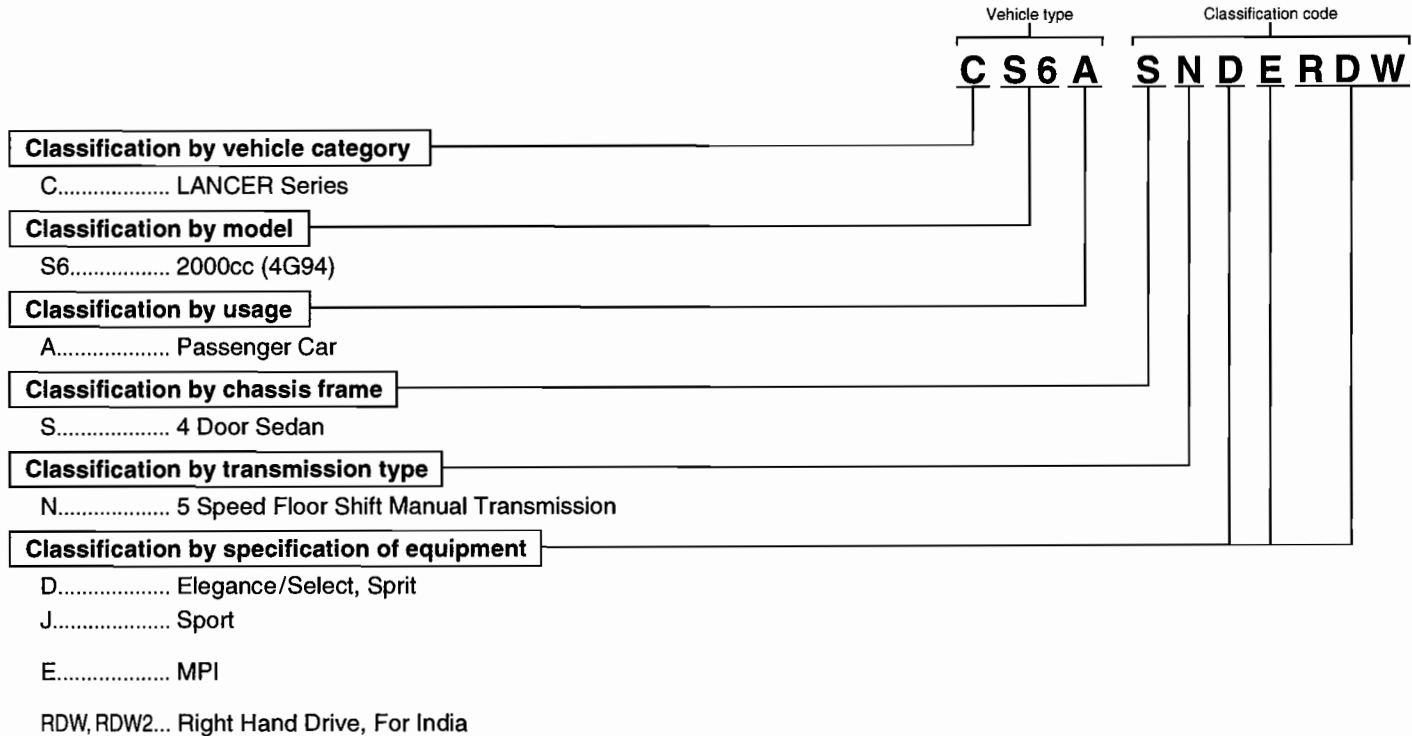
A large assortment of "MITSUBISHI GENUINE PARTS" is always available at any of our authorized dealers, so purchase from your nearest dealer by specifying "MITSUBISHI GENUINE PARTS".

Special Tools are not listed in this catalog. For information on special tools, please refer to the Workshop Manual or Special Tools Manual. (Special tools are supplied through normal service parts supply route.)

**VEHICLE APPEARANCE**



# VEHICLE IDENTIFICATION CODE CHART



## APPLICABLE VEHICLE MODELS

Vehicle model	Classification code	Vehicle name and specifications	Engine model	Displacement (cc)	Transmission model
CS6A	SNDERDW	ELEGANCE/SELECT (MPI), 5FM/T	4G94	2000	F5M42
	SNDERDW2	SPRIT (MPI), 5FM/T	4G94	2000	F5M42
	SNJERDW	SPORT (MPI), 5FM/T	4G94	2000	F5M42

# HOW TO READ ILLUSTRATION & PARTS LIST

③ Illustration characteristic

① Group number

② Subgroup name

④ Parts name code (key number)

⑤ Parts name

④ Parts name code (key number)

52 -220 HEADLINING

P.N.C.	FROM/UP TO	MODEL APPLICATION	QTY	REMARKS
72411		TRIM,ROOF RAIL		
9103-1-	IL047G	ALL	1	L GRAY INT-OUT
72605		COVER,HEADLINING		
9103-1-	IL047G	ALL	2	L GRAY INT-OUT
72611		COVER,HEADLINING,RR		
9103-1-	IL047G	ALL	1	L GRAY INT-OUT
72613		HEADLINING,CTR		
9103-1-	IL047G	ALL	1	L GRAY INT-OUT
72614		HEADLINING,FR		
9103-1-	IL047G	ALL	1	L GRAY INT-OUT
72615		HEADLINING,RR		
9103-1-	IL047G	ALL	1	L GRAY INT-OUT
72632		JOINT,ROOF RAIL TRIM		
9103-1-	IL047G	ALL	1	L GRAY INT-OUT
72697E		SCREW,HEADLINING		
9103-1-	IL047G	ALL	2	WASHER ASSEMBLED,5X16
72697G		SCREW,HEADLINING		
9103-1-	IL047G	ALL	8	WASHER ASSEMBLED,5X12
72699H		CLIP,HEADLINING		
9103-1-	IL047G	ALL	4	D GRAY INT-OUT
78203B		BOW,ROOF,NO.1		
9103-1-	IL047G	ALL	1	L GRAY INT-OUT
78203C		BOW,ROOF,ND.1		
9103-1-	IL047G	ALL	1	L GRAY INT-OUT
78212		COVER,ROOF BOW BRACKET,FR		
9103-1-	IL047G	ALL	2	L GRAY INT-OUT
78213		COVER,ROOF BOW BRACKET,RR		
9103-1-	IL047G	ALL	2	L GRAY INT-OUT

⑥ Production period

⑦ Model

⑧ Parts number

⑩ Substitution

⑪ Quantity

⑫ Remarks

⑭ Illustration control number

⑬ Option code

⑧ Application

⑫ Remarks

**① Group number**

This field gives the number of the group (Main-Sub).

**② Subgroup name**

This field gives the name of the subgroup.

**③ Illustration characteristic**

This field gives the characteristics of illustrations.

Example:

E13A, E15A: ALL

E17A: A/T

E13A, E15A, E17A: AIR CLEANER BRACKET ETC

**④ Parts name code (key number)**

This field shows the key number used to associate an illustrated parts with the parts name in the parts number list.

(For the parts name code composition and meanings, refer to the related materials on parts name codes.)

**⑤ Parts name**

This field gives the parts name (including any supplementary name).

**⑥ Production period**

This field gives when production of the vehicle using the parts started and ended.

Example: 8710·2-8807·1

Manufactured from the middle of October,  
1987 to the beginning of July, 1988  
(1: beginning, 2: middle, 3: end)

**⑦ Model**

This field gives the model marked on the nameplate.

**⑧ Application**

When a vehicle can be more easily identified by its general characteristics, this field gives those characteristics instead of classification code.

Example: ALL

W/O SUNROOF

SUNROOF

SNHTL SRHTL

**⑨ Parts number**

This field gives the numbers of parts used in the vehicle. The substitute parts numbers are enclosed in ( ).

**⑩ Substitution**

Changed parts may be compatible or not. If a new parts can replace an old one, it is called a substitute part and is classified as follows:

- O : Both new and old parts can be used.
- Y : The new part can replace the old one, but the old part can only be used for the old vehicle model.
- # : The new and old parts must be replaced with other related parts simultaneously.

**⑪ Quantity**

This field gives the numbers of parts to be used.

**⑫ Remarks**

1. This section gives the following additional information because the reader may not be able to identify the parts number from the production period, model, and application alone.

Example:

- Shape ..... FLANGE
- Color ..... L-GRAY
- Specification ..... 50A
- Material ..... RUBBER
- Size ..... 8 × 40
- Interior code ..... INT : 0.2H
- Exterior code ..... EXT : W01
- Option code ..... OP : R09

2. If several new and old parts were replaced as reported by the service parts news, "Service parts news No." is given.

**⑬ Option Code**

This field explains the meanings of options given in the remarks field.

Example: R09: FULL AUTO A/C  
D42: AUTO SPEED CONTROL

**⑭ Illustration control number**

This field shows the illustration control number for the manufacturer.



## ABBREVIATIONS AND SYMBOLS

(G)	:Graphite	BRG	:Bearing	D/MR	:Door Mirror	ETR	:Electronic Tuner
(M)	:Metallic	BRK	:Brake	D/PR	:Dust Proof	EXC	:Except
(P)	:Pearl	BRKT	:Bracket	D/PROOF	:Dust Proof	EXH	:Exhaust
(P+G)	:Pearl Graphite	BRN	:Brown	D/T	:Diesel Turbo	EXP	:Export
&	:And	BRT	:Bright	DBL	:Double	EXT	:Exterior
* MHI	:Mitsubishi Heavy Industry Corp.	BRZ	:Bronze	DC	:Direct Current	FCC	:Front Catalytic Converter
* ND	:Nippon Denso Corp.	BSTR	:Booster	DD	:Direct Drive	F-N-R	:Forward, Neutral & Reverse
A	:Ampere	C-	:Clear	DECAL	:Decalomania	F/DISC	:Front Disc
A/C	:Air Conditioner	C-LP	:Courtesy Lamp	DEFOG	:Defogger	F/MR	:Fender Mirror
A/CLNR	:Air Cleaner	C/L-ROOF	:Crystal Light Roof	DIFF	:Differential	F/TANK	:Fuel Tank
A/SUSP	:Air Suspension	C/UP	:Capacity Up	DIR	:Direct	F/TRAILER	:Full Trailer
AT	:Auto Transaxle	C/ZONE	:Cold Zone	DIR/CONT	:Direct Control	F/W	:Flywheel
	:Auto Transmission	CA/CONV	:Catalytic Converter	DIR/R-CONT	:Direct Remote Control	FAT	:Floor Shift A/T
ABS	:Anti-Lock Brake Control System	CA/T	:Column Shift A/T	DOHC	:Double Overhead Camshaft	FL/CPLG	:Fluid Coupling
AC	:Alternating Current	CARB	:Carburetor	DOJ	:Double Offset Joint	FLAME/RESIST	:Flammability Resistance
ACCEL	:Accelerator	CAS/PLAY	:Cassette Player	DOM	:Domestic	FM	:Frequency Modulation
ACV	:Air Cut Valve	CC	:Choice	DR	:Door	FM/T	:Floor Shift M/T
AGPM	:Auto Glare Proof Mirror	CD	:Compact Disc	DR/S	:Driver side	FR	:Front
AL/WHL	:Aluminum Wheel	CHARG	:Charger	DRL	:Day Time Running Light	FWD	:Forward
ALR	:Auto Lock Retractor	CHK	:Check	DSC	:Disc Specification	G-	:Grayish
ALTR	:Alternator	CHR	:Charger	DSV	:Deceleration Solenoid Valve	G/RATIO	:Gear Ratio
AM	:Amplitude Modulation		:Chrome	EC	:Electric Control	G/ZONE	:General Zone
ANTI-CORR	:Anti-Corrosion	CL	:Clutch	ECI	:Electronic Control Injection	GER	:Germany
ANTI-POLL	:Anti-Pollution	CL-	:Cool	ECM	:Electronic Control Engine Mounting	GLA	:Glass
AR	:As Required	CLO	:Cloth			GLD	:Gold
ARG	:Argent	CLO/ST	:Cloth Seat	ECS	:Electronic Control Suspension	GOV	:Governor
AS/S	:Assistant Side	CLR	:Cooler	ED	:Economy Drive	GRG	:Grayge
ASC	:Auto Speed Control	CLRLS	:Inter Cooler less	EGR	:Exhaust Gas Recirculation	GRL	:Grille
ASSY	:Assembly	CM/T	:Column Shift M/T	ELCAT	:Electronic Control Auto Transmission	GRN	:Green
AUTO	:Automatic	COL	:Colored			GRY	:Gray
AUX	:Auxiliary	COMPR	:Compressor	ELEC	:Electric	GT	:Ground Touring
AYC	:Active Yaw Control	COND	:Condenser	ELEC/CONT	:Electric Control	GZ	:General Zone
B-	:Bright	CONN	:Connector	ELR	:Emergency Lock Retractor	H-L	:High & Low
BATT	:Battery	CONNROD	:Connecting Rod	EMERG	:Emergency	H/BACK	:Hatch Back
BGE	:Beige	CONST	:Construction	ENG	:Engine	H/DUTY	:Heavy Duty
BJ	:Birfield Joint	CONT	:Control	EPS	:Electronic Control Power Steering	H/GRADE	:High Grade
BLA	:Black	CR-	:Creamy			H/GROUND	:High Ground
BLU	:Blue	CRU/CONT	:Cruise Control	EQUIP	:Equipment	H/LP	:Headlamp
BMPR	:Bumper	CTR	:Center	ESS	:Engine Speed Sensor	H/MR	:Hood Mirror
BOSCH	:Bosch Corp.	CZ	:Cold Zone	ESV	:Enrichment Solenoid Valve	H/REST	:Headrest
BPV	:Blend Proportioning Valve	D	:Diameter	ETACS	:Electronic Time & Alarm Control System	H/ZONE	:Hot Zone
		D-	:Dark			HAC	:High Altitude Compensator





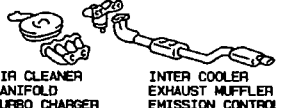














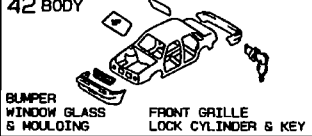









## ABBREVIATIONS AND SYMBOLS

HARN	:Harness	LW	:Long Wave	OPN	:Open	REV	:Reverse
HAW	:Highray Absorptive Window Glass	LWR	:Lower		:Opener	RF	:Roof
HCO	:Height Control	M-	:Medium	ORG	:Orange	RH	:Right Hand
HI	:High	M/CYL	:Master Cylinder	OS	:Oversize	RHD	:Right Hand Drive
HL/WSHR	:Headlamp Washer	M/T	:Manual Transaxle	OTR	:Outer	RJ	:Rzeppa Universal Joint
HLG	:Halogen		:Manual Transmission	OWC	:One Way Clutch	RPM	:Revolutions Per Minute
HMSL	:High Mount Stop Lamp	M/TOP	:Metal Top	P/NO	:Part Number	RPS	:Revolutions Per Second
HTL	:Heater less	MAG	:Magnet	P/S	:Power Steering	RR	:Rear
HTR	:Heater	MALAY	:Malaysia	P/SEAT	:Passenger Seat	RSB	:Raspberry
HZ	:Hot Zone	MAX	:Maximum		:Power Seat	RWD	:Rearward
I/CLR	:Inter Cooler	MCV	:Mixture Control Valve	P/W	:Power Window	S-	:Soft
I/PANEL	:Instrument Panel	MECH	:Machanical	PAF	:Pulse Air Feeder	S/ABS	:Shock Absorber
I/PNL	:Instrument Panel	MHI	:Mitsubishi Heavy Industry Corp.	PAR	:Parch	S/BELT	:Seat Belt
IC	:Integrated Circuit			PC	:Piece	S/C	:Super Charger
INCR/TANK	:Increased Tank	MID	:Middle	PCD	:Pitch Circle Diameter	S/METER	:Speedometer
INDEP	:Independent	MIN	:Minimum	PCV	:Purge Control Valve	S/R	:Sunroof
INJ	:Injection	MIR	:Mirror	PHV	:Pressure Hold Valve	S/STRUCT	:Side Structure
INR	:Inner	MLDG	:Moulding	PLR	:Pillar	S/TRAILER	:Semi Trailer
INT	:Interior	MMAT	:Mitsubishi Mechanical Automatic Transmission	PNC	:Part Name Code	S/WHL	:Steering Wheel
IVO	:Ivory			PNK	:Pink	S/WDO	:Side Window
JMSV	:Jet Mixture Solenoid Valve	MPH	:Mile Per Hour	PNL	:Panel	SD	:Sand
KPH	:Kilometer Per Hour	MPI	:Multi Point Injection	PRESS	:Pressure	SE-	:Semi
KW	:Kilo Watt	MPX	:Multiplex	PRL	:Pearl	SERV	:Service
L	:Length	MRN	:Maroon	PROT	:Protect	SIK	:Service In Kit
L-	:Light	MTR	:Meter		:Protector	SIL	:Silver
L-R	:Low & Reverse	MW	:Middle Wave	PT	:Point	SIR	:Service in Roll
LAV	:Lavender	N-	:Natural	PTO	:Power Take Off	SOHC	:Single Overhead Camshaft
LB	:Pound	NA	:Not Applicable	PWR	:Power	SP	:Spoke
LCD	:Liquid Crystal Display	NAS	:North American Spec	Q/GLOW	:Quick Glow	SPEC	:Specification
LEA	:Leather	ND	:Nippon Denso Corp.	Q/WDO	:Quarter Window	SPI	:Single Point Injection
LEA/ST	:Leather Seat	NIKK	:Nippon Injector Corp.	QTR	:Quarter	SPKR	:Speaker
LED	:Light Emitting Diode	NO.	:Number	QTY	:Quantity	SPT	:Sputtering
LH	:Left Hand	NS	:Not Service	R/CONT	:Remote Control	SSPS	:Speed Sensor Power Steering
LHD	:Left Hand Drive	O-	:Off	R/DRUM	:Rear Drum		
LOG	:Loading	O/D	:Overdrive	RAD	:Radiator	ST	:Seat
LP	:Lamp	O/S	:Outside	RDC	:Reducing	STD	:Standard
LPG	:Liquid Propane Gas	OD	:Outside Diameter	RDO	:Radio	STL	:Steel
LRG	:Large	OFS	:Off Set	RE	:Red	STRG	:Steering
LSD	:Limited Slip Differential	OHC	:Overhead Camshaft	RED.	:Reduction	SUS	:Suspension
LSP	:Load Sensing Proportioning	OHV	:Overhead Valve	REINF	:Reinforcement	SUSP	:Suspension
LSPV	:Load Sensing Proportioning Valve	OLI	:Olive	REL	:Release	SW	:Switch
		OP	:Option Code	REP	:Replacement Code		:Short Wave

## ABBREVIATIONS AND SYMBOLS

SYNCH	:Synchronizer	W/O	:Without		
SYS	:System	W/SHLD	:Windshield		
T	:Thickness	W/STRIP	:Weatherstrip		
T/A	:Transaxle	WD	:Wood		
T/C	:Turbocharger	WDO	:Window		
T/F	:Transfer	WHT	:White		
T/GATE	:Tailgate	WO	:Without		
T/M	:Transmission	WO/WPR	:Without Wiper		
T/SIG	:Turn Signal	WRNG	:Warning		
TA	:Tan	WSHR	:Washer		
TACHO	:Tachometer	WT/WPR	:With Wiper		
TCL	:Traction Control System	YEL	:Yellow		
TEL	:Telephone	ZZ	:More Than 100		
TEMP	:Temperature	1ST	:First		
TI	:Titanium	2ND	:Second		
TJ	:Tripod Universal Joint	3PT	:3 Point		
TOR-CON	:Torque Converter	3RD	:Third		
TORO	:Tokyo Roki Corp.	4TH	:Fourth		
TRQ	:Turquoise	4WD	:Four Wheel Drive		
TURBO	:Turbocharger	4WS	:Four Wheel Steering		
TV	:Television				
UCC	:Under Catalytic Converter				
UPR	:Upper				
US	:Undersize				
V	:Volt				
VAL	:Valve				
VELNAS	:Vehicle Electronic Navigation System				
VENT	:Ventilator				
VIN	:Vehicle Identification Number				
VIO	:Violet				
VNL	:Vinyl				
VNL/ST	:Vinyl Seat				
VOL	:Volume				
VSS	:Vehicle Speed Sensor				
VTR	:Video Tape Recorder				
W	:Watt				
W-	:Warm				
W/	:With				
W/CLR	:With Inter Cooler				
W/INJ	:Wax Injection				

# MAIN GROUP ILLUSTRATION INDEXES

<b>11 ENGINE</b>  OVERHAUL KIT MOUNTING PARTS	<b>12 LUBRICATION</b>  OIL PUMP OIL FILTER OIL COOLER	<b>13 FUEL</b>  FUEL TANK FUEL PUMP INJECTION PUMP CARBURETOR FUEL HOSE ACCEL. PEDAL	
<b>14 COOLING</b>  RADIATOR CONDENSER TANK COOLING FAN WATER PUMP THERMOSTAT	<b>15 INTAKE &amp; EXHAUST</b>  AIR CLEANER MANIFOLD TURBO CHARGER INTER COOLER EXHAUST MUFFLER EMISSION CONTROL	<b>16 ENGINE ELECTRICAL</b>  STARTER ALTERNATOR DISTRIBUTOR SPARK PLUG	
<b>21 CLUTCH</b>  CLUTCH RELEASE CLUTCH M/CYL	<b>22 MANUAL T/M</b>  GEARSHIFT LEVER OVERHAUL KIT	<b>23 AUTOMATIC T/M</b> 	<b>24 TRANSFER</b> 
<b>25 PROPELLER SHAFT</b> 	<b>26 FRONT AXLE</b>  HUB & DRUM DRIVE SHAFT KNUCKLE	<b>27 REAR AXLE</b>  HUB & DRUM	<b>31 WHEEL &amp; TIRE</b>  WHEEL CAP SPARE TIRE CARRIER
<b>33 FRONT SUSPENSION</b>  ARM & MEMBER STABILIZER	<b>34 REAR SUSPENSION</b>  ARM, SPRING SHOCK ABSORBER STABILIZER	<b>35 BRAKE</b>  BRAKE PEDAL PWR BRAKE BOOSTER CLUTCH PEDAL	<b>37 STEERING</b>  STEERING COLUMN COLUMN COVER POWER STEERING
<b>41 FRAME</b> 	<b>42 BODY</b>  BUMPER WINDOW GLASS & MOULDING FRONT GRILLE LOCK CYLINDER & KEY	<b>51 EXTERIOR</b>  GARNISH & MOULDING MUD GUARD AIR SPOILER	<b>52 INTERIOR</b>  ROOM MIRROR SUNVISOR FLOOR MAT
<b>43 DOOR</b>  DOOR GLASS & TRIM DOOR WINDOW REGULATOR	<b>44 REAR BODY</b> 	<b>53 SEAT</b>  SEAT BELT SEAT ADJUSTER HEADREST	
<b>54 CHASSIS ELECTRICAL</b>  LAMP WIPER & WASHER SWITCH, RADIO	<b>55 HEATER, A/C &amp; VENTILATION</b>  DEFROSTER DUCT HEATER CONTROL	<b>61 SPECIAL EQUIPMENT</b> 	<b>91 TOOL</b>  JACK SET TOOL SET

		PAGE
11	ENGINE .....	1
12	LUBRICATION .....	16
13	FUEL .....	17
14	COOLING .....	25
15	INTAKE & EXHAUST .....	30
16	ENGINE ELECTRICAL .....	38
21	CLUTCH .....	45
22	MANUAL TRANSMISSION .....	48
26	FRONT AXLE .....	60
27	REAR AXLE .....	63
31	WHEEL & TIRE .....	64
33	FRONT SUSPENSION .....	66
34	REAR SUSPENSION .....	68
35	BRAKE .....	71
37	STEERING .....	83
42	BODY .....	91
43	DOOR .....	121
51	EXTERIOR .....	135
52	INTERIOR .....	141
53	SEAT .....	154
54	CHASSIS ELECTRICAL .....	161
55	HEATER, A/C & VENTILATION .....	184
91	TOOL .....	196

300125B

## GROUP NUMBER INDEXES

GROUP-NO	GROUP-NAME	PAGE
<b>11</b>	<b>ENGINE</b>	
020	SHORT ENGINE ASSY .....	1
090	ENGINE OVERHAUL GASKET KIT .....	2
100	LIQUID GASKET .....	3
110	ROCKER COVER .....	4
120	CYLINDER HEAD .....	5
130	CYLINDER BLOCK .....	7
140	COVER,REAR PLATE & OIL PAN .....	8
210	PISTON & CRANKSHAFT .....	10
230	CAMSHAFT & VALVE .....	12
320	OIL PRESS SWITCH OR GAUGE UNIT .....	14
510	ENGINE MOUNTING & SUPPORT .....	15
<b>12</b>	<b>LUBRICATION</b>	
110	OIL PUMP & OIL FILTER .....	16
<b>13</b>	<b>FUEL</b>	
010	FUEL TANK .....	17
020	FUEL LINE & VAPOR GAS CONTROL .....	20
550	INJECTOR & THROTTLE BODY .....	22
810	ENGINE CONTROL .....	24
<b>14</b>	<b>COOLING</b>	
010	RADIATOR,HOSE & CONDENSER TANK .....	25
110	WATER PUMP .....	27
120	WATER PIPE & THERMOSTAT .....	29
<b>15</b>	<b>INTAKE &amp; EXHAUST</b>	
010	AIR CLEANER .....	30
210	INLET MANIFOLD .....	31
310	EXHAUST MANIFOLD .....	32
510	EXHAUST PIPE & MUFFLER .....	34
710	EMISSION CONTROL .....	36

GROUP-NO	GROUP-NAME	PAGE
<b>16</b>	<b>ENGINE ELECTRICAL</b>	
010	STARTER .....	38
110	ALTERNATOR & VACUUM PUMP .....	40
220	SPARK PLUG,CABLE & COIL .....	42
410	ELECTRICAL CONTROL .....	43
<b>21</b>	<b>CLUTCH</b>	
010	CLUTCH & CLUTCH RELEASE .....	45
210	CLUTCH CONTROL .....	47
<b>22</b>	<b>MANUAL TRANSMISSION</b>	
010	MANUAL TRANSMISSION ASSY .....	48
110	M/T CASE .....	49
120	M/T GEAR .....	52
130	M/T GEARSHIFT CONTROL .....	56
200	M/T FLOOR SHIFT LINKAGE .....	58
<b>26</b>	<b>FRONT AXLE</b>	
130	FRONT AXLE DRIVE SHAFT .....	60
150	FRONT AXLE HUB & DRUM .....	62
<b>27</b>	<b>REAR AXLE</b>	
250	REAR AXLE HUB & DRUM .....	63
<b>31</b>	<b>WHEEL &amp; TIRE</b>	
010	WHEEL,TIRE & COVER .....	64
<b>33</b>	<b>FRONT SUSPENSION</b>	
050	FRONT SUSP ARM & MEMBER .....	66
110	FRONT SUSP STRUT & SPRING .....	67
<b>34</b>	<b>REAR SUSPENSION</b>	
010	REAR SUSP .....	68

## GROUP NUMBER INDEXES

GROUP-NO	GROUP-NAME	PAGE
<b>35</b>	<b>BRAKE</b>	
030	PARKING BRAKE CONTROL .....	71
110	FRONT WHEEL BRAKE .....	72
160	REAR WHEEL BRAKE .....	73
230	POWER BRAKE BOOSTER .....	76
310	BRAKE LINE .....	77
610	BRAKE & CLUTCH PEDAL .....	79
630	BRAKE MASTER CYLINDER .....	80
750	MODULATOR .....	81
770	ANTI-SKID BRAKE SENSOR .....	82
<b>37</b>	<b>STEERING</b>	
010	STEERING WHEEL .....	83
020	STEERING COLUMN & COVER .....	85
050	STEERING GEAR .....	86
110	POWER STEERING OIL PUMP .....	88
130	POWER STEERING OIL LINE .....	90
<b>42</b>	<b>BODY</b>	
010	FRONT BUMPER & SUPPORT .....	91
030	REAR BUMPER & SUPPORT .....	94
050	RADIATOR GRILLE,HEADLAMP BEZEL .....	96
120	HOOD & LOCK .....	99
150	FENDER & FRONT END COVER .....	101
180	FRONT END PANEL .....	102
210	FRONT DECK & INSULATOR .....	104
230	WINDSHIELD GLASS & MOULDING .....	105
250	ROOF & LID .....	106
310	SIDE STRUCTURE .....	107
320	FUEL FILLER LID & LOCK .....	109
370	FLOOR .....	110
410	REAR END STRUCTURE .....	112
430	REAR WINDOW GLASS & MOULDING .....	113
510	TRUNK LID & LOCK .....	114
610	LOOSE PANEL .....	116

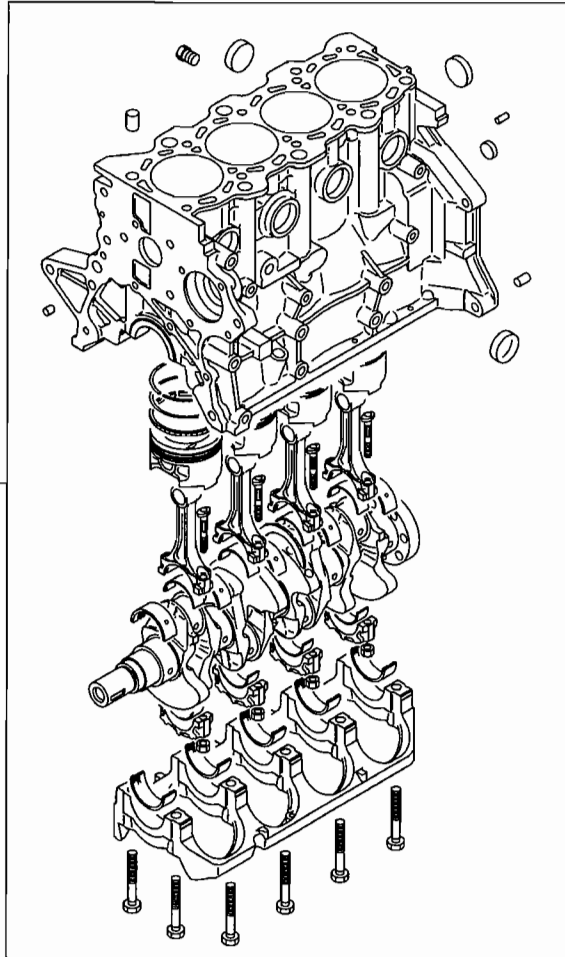
GROUP-NO	GROUP-NAME	PAGE
650	PLUGS,COVERS & SHIELD .....	117
710	LOCK CYLINDER & KEY .....	119
810	PLATE & LABEL .....	120
<b>43</b>	<b>DOOR</b>	
110	FRONT DOOR PANEL & GLASS .....	121
130	FRONT DOOR WINDOW REGULATOR .....	123
140	FRONT DOOR LOCKING .....	124
160	FRONT DOOR TRIM & PULL HANDLE .....	126
210	REAR DOOR PANEL & GLASS .....	128
230	REAR DOOR WINDOW REGULATOR .....	130
240	REAR DOOR LOCKING .....	131
260	REAR DOOR TRIM & PULL HANDLE .....	133
<b>51</b>	<b>EXTERIOR</b>	
010	FRONT GARNISH & MOULDING .....	135
030	SIDE GARNISH & MOULDING .....	136
050	REAR GARNISH & MOULDING .....	137
110	ORNAMENT,MARK & EMBLEM .....	138
210	OUTSIDE REAR VIEW MIRROR .....	139
310	MUD GUARD,SHIELD & STONE GUARD .....	140
<b>52</b>	<b>INTERIOR</b>	
010	I/PANEL & RELATED PARTS .....	141
080	CONSOLE .....	144
150	MIRROR,GRIPS & SUNVISOR .....	146
220	HEADLINING .....	147
230	INTERIOR TRIM .....	148
250	BAGGAGE ROOM TRIM .....	150
310	FLOOR MAT .....	152
330	SILENCER .....	153
<b>53</b>	<b>SEAT</b>	
010	FRONT SEAT .....	154
110	REAR SEAT .....	157

## GROUP NUMBER INDEXES

GROUP-NO	GROUP-NAME	PAGE
410	SEAT BELT .....	159
<b>54</b>	<b>CHASSIS ELECTRICAL</b>	
010	HEADLAMP .....	161
030	FRONT EXTERIOR LAMP .....	162
110	REAR EXTERIOR LAMP .....	163
150	ROOM LAMP .....	165
220	WINDSHIELD WIPER & WASHER .....	166
310	METER, GAUGE & CLOCK .....	168
420	SWITCH & CIGAR LIGHTER .....	170
510	RADIO & AUDIO ACCESSORIES .....	172
530	SPEAKER .....	173
550	ANTENNA & CONDENSER .....	174
590	HORN & BUZZER .....	176
610	RELAY, FLASHER & SENSOR .....	177
630	BATTERY CABLE & BRACKET .....	179
710	WIRING & ATTACHING PARTS .....	180
<b>55</b>	<b>HEATER, A/C &amp; VENTILATION</b>	
010	HEATER UNIT & PIPING .....	184
210	HEATER CONTROL .....	187
310	DEFROSTER NOZZLE & DUCT .....	189
330	VENTILATION & DUCT .....	190
430	A/C CONDENSER, PIPING .....	192
<b>91</b>	<b>TOOL</b>	
010	STANDARD TOOL .....	196

GROUP-NO	GROUP-NAME	PAGE
----------	------------	------

# 11 -020 SHORT ENGINE ASSY



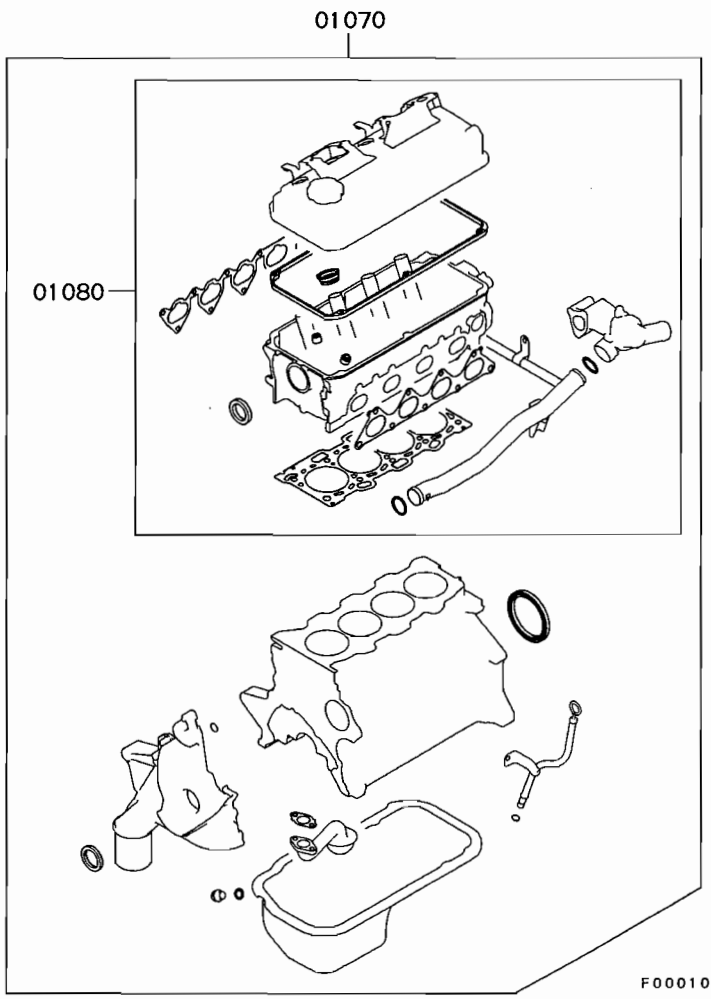
01010A

500055

P N C	MODEL APPLICABLE		TOLER	PART NO. (REPL P/NO.)	QTY	REMARKS
	FROM-UP TO	TYPE				
<b>01010A</b> 0512-1-				<b>MN187377</b>	1	4G94



# 11-090 ENGINE OVERHAUL GASKET KIT

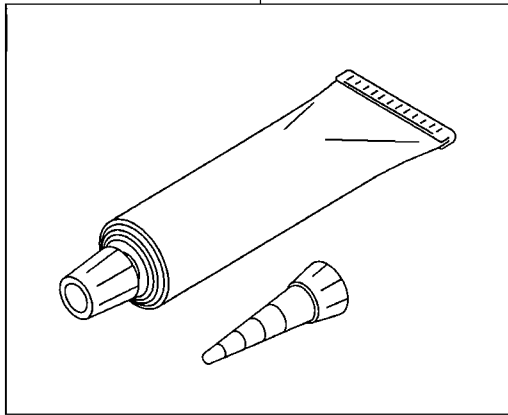


P N C	MODEL APPLICABLE	B P	PART NO.	Q T Y	RE M A R K S
FROM-UP TO	TYPE DESCRIPTION		(REPL P/NO.)		
<b>01070</b>	GASKET KIT,ENG OVERHAUL				
0512-1-	ALL		<b>MD978565</b>	1	
<b>01080</b>	GASKET KIT,ENG OVERHAUL,UPR				
0512-1-	ALL		<b>MD978564</b>	1	

# 11 -100 LIQUID GASKET

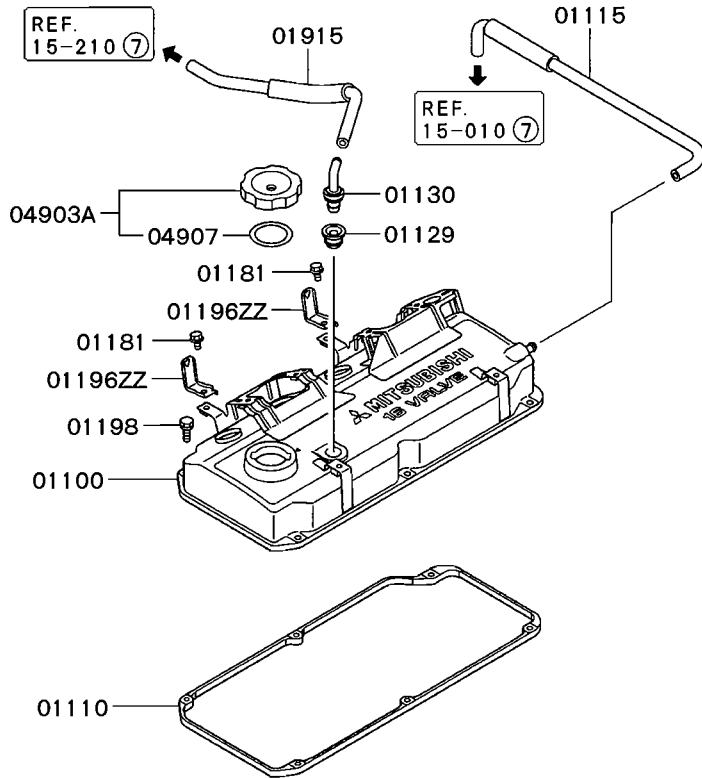
P N C	MODEL APPLICABLE	B/P	PART NO.	Q	REMARKS
FROM-UP TO	TYPE DESCRIPTION		(REPL P/NO.)	TY	
<b>01090</b> 0512-1-	LIQUID GASKET,ENG ALL	Y	<b>MD970389</b> <b>(1000A992)</b>	1	100G ENG.
<b>21090</b> 0512-1-	LIQUID GASKET,M/T ALL		<b>MD997740</b>	1	120G M/T,T/F
<b>26090</b> 0512-1-	LIQUID GASKET,A/T ALL		<b>MD974421</b>	1	150G A/T

01090 (ENG. )  
21090 (M/T, T/F)  
26090 (A/T)



500001

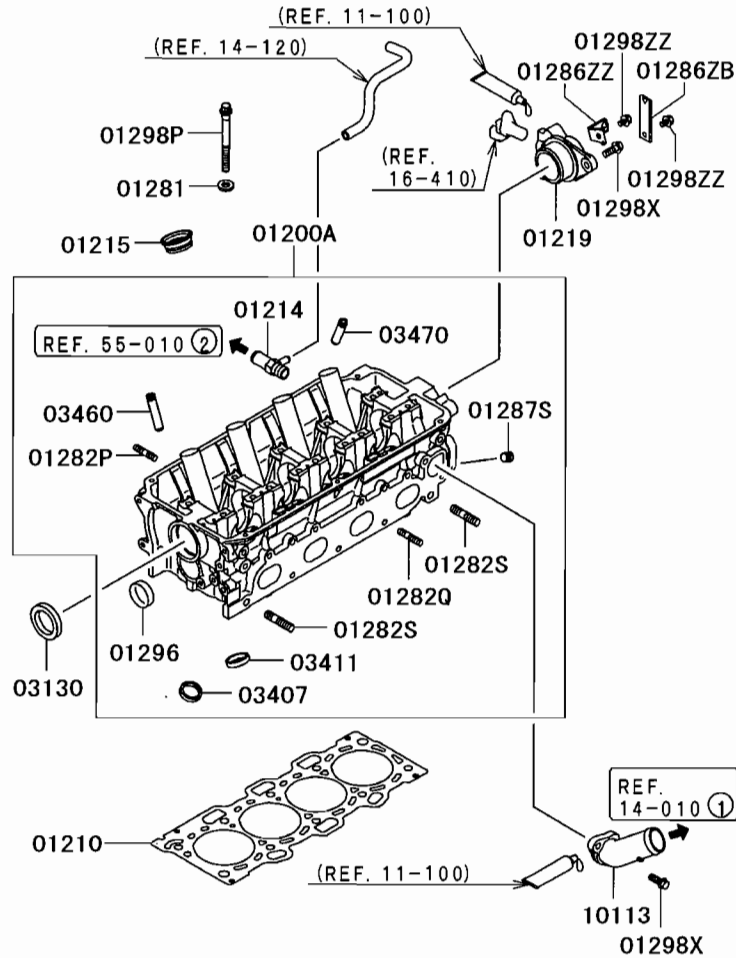
# 11 -110 ROCKER COVER



F00072

P N C	MODEL APPLICABLE		PART NO. (REPL P/NO.)	Q Y	REMARKS
	FROM/UP TO	TYPE DESCRIPTION			
<b>01100</b>	0512-1-	COVER,ROCKER			
	ALL		<b>MD346963</b>	1	
<b>01110</b>	0512-1-	GASKET,ROCKER COVER			
	ALL		<b>MD307705</b>	1	
<b>01115</b>	0512-1-	HOSE,ROCKER COVER BREATHER			
	ALL		<b>MD376159</b>	1	
<b>01129</b>	0512-1-	GASKET,PCV VALVE			
	0512-1-0610-3	ALL	Y <b>MD179909</b> <b>(1057A033)</b>	1	
	0611-1-	ALL	<b>1057A033</b>	1	
<b>01130</b>	0512-1-	VALVE,PCV			
	ALL		<b>MD183547</b>	1	
<b>01181</b>	0512-1-	BOLT,ACCEL CABLE SUPPORT			
	0512-1-	ALL	<b>MF140202</b>	2	FLANGE,6X10
	0512-1-	ALL	O <b>M945358</b> <b>(M945358D)</b>	CC	OR 5X12 EUROPE USE ONLY
<b>01196ZZ</b>	0512-1-	BRACKET,ROCKER COVER			
	ALL		<b>MR561318</b>	2	
<b>01198</b>	0512-1-	BOLT,ROCKER COVER			
	ALL		<b>MF244826</b>	6	WASHER ASSEMBLED,6X20
<b>01915</b>	0512-1-	HOSE,ROCKER COVER PCV			
	ALL		<b>MD329187</b>	1	
<b>04903A</b>	0512-1-	CAP ASSY,ENG OIL FILLER			
	ALL		<b>MD354664</b>	1	
<b>04907</b>	0512-1-	GASKET,ENG OIL FILLER CAP			
	ALL		Y <b>MD103148</b> <b>(MD311638)</b>	1	

# 11 -120 CYLINDER HEAD

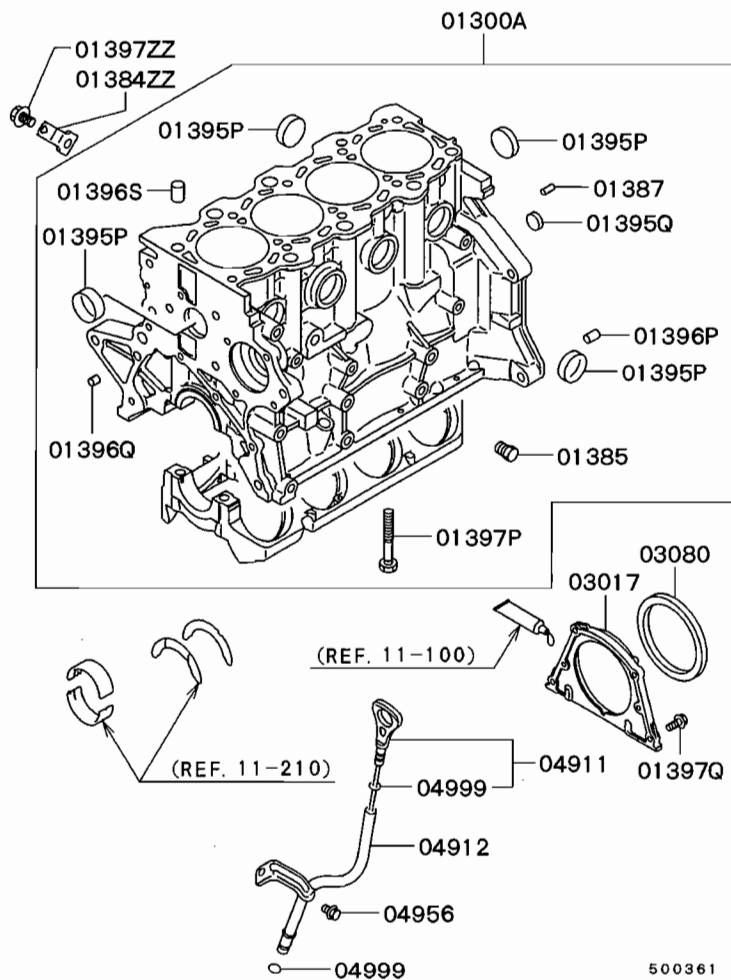


P N C	MODEL APPLICABLE		PART NO. (REPL P/NO.)	Q Y	REMARKS
	FROM/UP TO	TYPE DESCRIPTION			
<b>01200A</b> 0512-1- ALL		HEAD ASSY,ENG CYLINDER	<b>MD313415</b>	1	
<b>01210</b> 0512-1- ALL		GASKET,CYLINDER HEAD	<b>MD374466</b>	1	
<b>01214</b> 0512-1- ALL		JOINT,CYLINDER HEAD	<b>MD020630</b>	1	
<b>01215</b> 0512-1- ALL		SEAL,CYLINDER HEAD SPARK PLUG GUIDE	<b>MD198128</b>	4	RUBBER
<b>01219</b> 0512-1-0611:3 ALL		SUPPORT,CAMSHAFT POSITION SENSOR	<b>MD374620</b> <b>(1865A128)</b> <b>1865A128</b>	1	
<b>01281</b> 0512-1- ALL		WASHER,CYLINDER HEAD	<b>MD000436</b>	10	PLAIN,10
<b>01282P</b> 0512-1- ALL		STUD,CYLINDER HEAD	<b>MS401427</b>	3	8X25
<b>01282Q</b> 0512-1- ALL		STUD,CYLINDER HEAD	<b>MD005317</b>	7	8X28
<b>01282S</b> 0512-1- ALL		STUD,CYLINDER HEAD	<b>MD122521</b>	2	10X32
<b>01286ZB</b> 0512-1- ALL		BRACKET,CYLINDER HEAD	<b>MR507545</b>	1	
<b>01286ZZ</b> 0512-1- ALL		BRACKET,CYLINDER HEAD	<b>MR561318</b>	1	
<b>01287S</b> 0512-1- ALL		PLUG,CYLINDER HEAD	<b>MS661141</b>	1	TAPER,1/4
<b>01296</b> 0512-1- ALL		CAP,CYLINDER HEAD	<b>MF665541</b>	1	SEALING,35
<b>01298P</b> 0512-1- ALL		BOLT,CYLINDER HEAD	<b>MD164738</b>	10	FLANGE,10X95
<b>01298X</b> 0512-1- ALL		BOLT,CYLINDER HEAD	<b>MF140026</b>	4	FLANGE,8X22
<b>01298ZZ</b> 0512-1- ALL		BOLT,CYLINDER HEAD	<b>MF140202</b>	2	FLANGE,6X10
<b>03130</b> 0512-1- ALL		OIL SEAL,CAMSHAFT	<b>MD153103</b> <b>(MD133317)</b>	1	
<b>03407</b> 0512-1- ALL		SEAT,EXHAUST VALVE	<b>MD183893</b>	8	O/SIZE 0.30
<b>03411</b> 0512-1- ALL		SEAT,INLET VALVE	<b>MD183894</b>	CC	OR O/SIZE 0.60
<b>03460</b> 0512-1- ALL		GUIDE,INLET VALVE	<b>MD189240</b>	8	O/SIZE 0.30
<b>03460</b> 0512-1- ALL		GUIDE,INLET VALVE	<b>MD189241</b>	CC	OR O/SIZE 0.60
<b>03460</b> 0512-1- ALL		GUIDE,INLET VALVE	<b>MD364870</b>	CC	OR O/SIZE 0.05
<b>03460</b> 0512-1- ALL		GUIDE,INLET VALVE	<b>MD318940</b>	8	O/SIZE 0.25

11 -120 CYLINDER HEAD

P N C	MODEL APPLICABLE		P P	PART NO. (REPL P/NO.)	Q ↓	REMARKS
FROM-UP TO	TYPE	DESCRIPTION				
<b>03460</b>		GUIDE,INLET VALVE				
0512-1-	ALL			<b>MD364871</b>	CC	OR O/SIZE 0.50
<b>03470</b>		GUIDE,EXHAUST VALVE				
0512-1-0709-1	ALL			<b>MD364740</b>	CC	OR O/SIZE 0.05
0512-1-0709-1	ALL		Y	<b>MD318689</b> <b>(1011A255)</b>	B	O/SIZE 0.25
0512-1-0709-1	ALL			<b>MD364741</b>	CC	OR O/SIZE 0.50
0709-2-	ALL			<b>1011A254</b>	B	O/SIZE 0.05
0709-2-	ALL			<b>1011A255</b>	CC	OR O/SIZE 0.25
0709-2-	ALL			<b>1011A256</b>	CC	OR O/SIZE 0.50
<b>10113</b>		FITTING,COOLING WATER OUTLET HOSE				
0512-1-	ALL			<b>MD310105</b>	1	

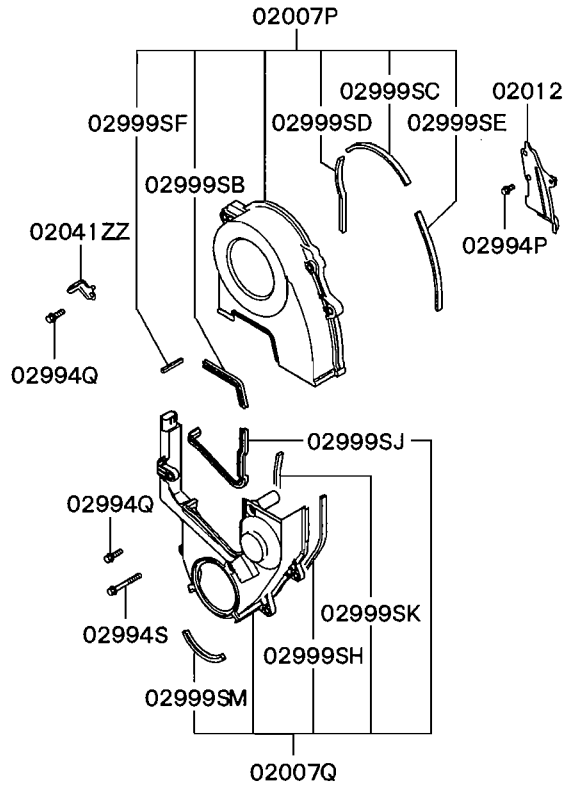
# 11-130 CYLINDER BLOCK



P N C	MODEL APPLICABLE		PART NO. (REPL. P/NO.)	Q	REMARKS
	FROM-UP TO	TYPE DESCRIPTION			
<b>01300A</b> 0512-1- ALL		BLOCK ASSY,CYLINDER	<b>MD367522</b>	1	
<b>01384ZZ</b> 0512-1- ALL		BRACKET,CYLINDER BLOCK	<b>MR507210</b>	1	
<b>01385</b> 0512-1- ALL		PLUG,CYLINDER BLOCK	<b>MD000269</b>	1	TAPER,1/4
<b>01387</b> 0512-1- ALL		PIN,CYLINDER BLOCK	<b>MF472403</b>	2	DOWEL,6X14
<b>01395P</b> 0512-1- ALL		CAP,CYLINDER BLOCK	<b>MF665541</b>	10	SEALING,35
<b>01395Q</b> 0512-1- ALL		CAP,CYLINDER BLOCK	<b>MF665536</b>	1	SEALING,20
<b>01396P</b> 0512-1- ALL		BUSHING,CYLINDER BLOCK	<b>MD020260</b>	2	10.5X19.3
<b>01396Q</b> 0512-1- ALL		BUSHING,CYLINDER BLOCK	<b>MS471104</b>	2	8X9
<b>01396S</b> 0512-1- ALL		BUSHING,CYLINDER BLOCK	<b>MS471109</b>	2	10X16
<b>01397P</b> 0512-1- ALL		BOLT,CYLINDER BLOCK	<b>MD153368</b>	10	FLANGE,10X70
<b>01397Q</b> 0512-1- ALL		BOLT,CYLINDER BLOCK	<b>MF140205</b>	4	FLANGE,6X16
<b>01397ZZ</b> 0512-1- ALL		BOLT,CYLINDER BLOCK	<b>MF140056</b>	1	FLANGE,10X16
<b>03017</b> 0512-1- ALL		CASE,CRANKSHAFT RR OIL SEAL	<b>MD301257</b>	1	
<b>03080</b> 0512-1- ALL		OIL SEAL,CRANKSHAFT,RR	<b>MD359158</b>	1	
<b>04911</b> 0512-1- ALL		GAUGE,ENG OIL LEVEL	<b>MD373042</b>	1	
<b>04912</b> 0512-1- ALL		GUIDE,ENG OIL LEVEL GAUGE	<b>MD317671</b>	1	
<b>04956</b> 0512-1- ALL		BOLT,ENG OIL FILLER	<b>MF140021</b>	1	FLANGE,8X12
<b>04999</b> 0512-1- ALL		O-RING,ENG OIL FILLER	<b>M811943</b> (M811943D)	CC	OR 8X12 EUROPE USE ONLY
			<b>MD317089</b>	1	GAUGE SIDE
			<b>MD075834</b>	1	9

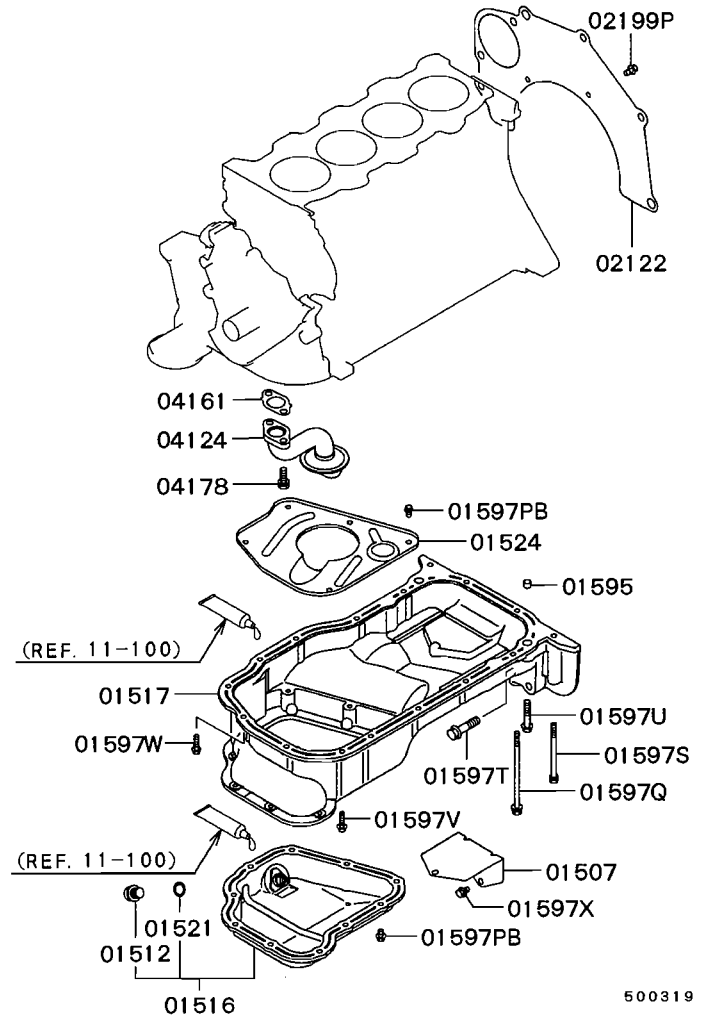
# 11-140 COVER, REAR PLATE & OIL PAN

CS6A:ALL (TIMING BELT COVER)



500425

CS6A:ALL (REAR PLATE & OIL PAN)



500319

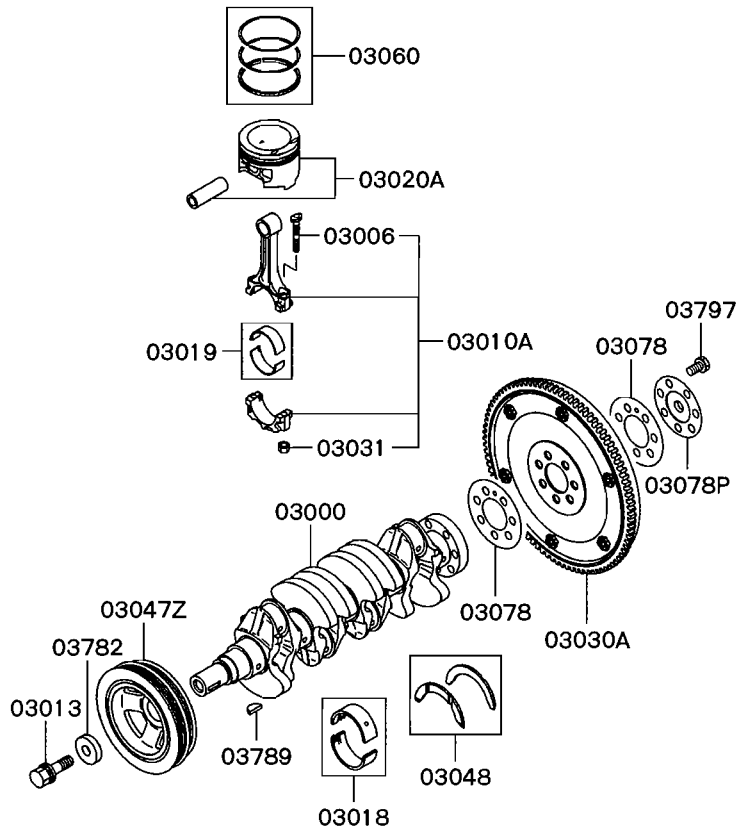
11 -140 COVER,REAR PLATE & OIL PAN

P N C		MODEL APPLICABLE		PART NO. (REPL P/NO.)	Q Y	RE MARKS	P N C		MODEL APPLICABLE		PART NO. (REPL P/NO.)	Q Y	RE MARKS
FROM-UP TO	TYPE	DESCRIPTION	FROM-UP TO				TYPE	DESCRIPTION					
<b>01507</b>		COVER,ENG OIL PAN BOLT HOLE					<b>02994P</b>		BOLT,TIMING BELT COVER				
0512-1-	ALL			<b>MD330990</b>	1		0512-1-	ALL			<b>MF140203</b>	3	FLANGE,6X12
0512-1-	ALL			<b>MR910431</b>	CC	OR FROM ENG.NO.J53226	<b>02994Q</b>		BOLT,TIMING BELT COVER		<b>MF140207</b>	10	FLANGE,6X20
<b>01512</b>		PLUG,ENG OIL PAN...					0512-1-	ALL			<b>MF140217</b>	1	FLANGE,6X50
0512-1-	ALL			<b>MD050316</b>	1		<b>02994S</b>		BOLT,TIMING BELT COVER		<b>MD302598</b>	1	
<b>01516</b>		OIL PAN,ENG,LWR					0512-1-	ALL			<b>MD191939</b>	1	
0512-1-	ALL			<b>MD369654</b>	1		<b>02999SB</b>		GASKET,TIMING BELT COVER		<b>MD302600</b>	1	
<b>01517</b>		OIL PAN,ENG,UPR					0512-1-	ALL			<b>MD191941</b>	1	
0512-1-	ALL			<b>MD369653</b>	1		<b>02999SC</b>		GASKET,TIMING BELT COVER		<b>MD188121</b>	1	
<b>01521</b>		GASKET,ENG OIL PAN DRAIN PLUG					0512-1-	ALL			<b>MD309897</b>	1	
0512-1-	ALL			<b>MD050317</b>	1	D=14	<b>02999SD</b>		GASKET,TIMING BELT COVER		<b>MD348761</b>	1	
<b>01524</b>		PLATE,ENG OIL PAN BAFFLE					0512-1-	ALL			<b>MD191939</b>	1	
0512-1-	ALL			<b>MD344618</b>	1		<b>02999SE</b>		GASKET,TIMING BELT COVER		<b>MD307409</b>	1	
<b>01595</b>		BUSHING,ENG OIL PAN					0512-1-	ALL			<b>MD347157</b>	1	
0512-1-	ALL			<b>MS471104</b>	2	8X9	<b>02999SF</b>		GASKET,TIMING BELT COVER		<b>MD183239</b>	1	
<b>01597PB</b>		BOLT,ENG OIL PAN					0512-1-	ALL			<b>MS241071</b>	2	WASHER ASSEMBLED,6X20
0512-1-	ALL			<b>MF140202</b>	16	FLANGE,6X10	<b>02999SH</b>		GASKET,TIMING BELT COVER				
<b>01597Q</b>		BOLT,ENG OIL PAN					0512-1-	ALL					
0512-1-	ALL			<b>MD324600</b>	2	WASHER ASSEMBLED,6X127	<b>02999SJ</b>		GASKET,TIMING BELT COVER				
<b>01597S</b>		BOLT,ENG OIL PAN					0512-1-	ALL					
0512-1-	ALL			<b>MD316006</b>	2	WASHER ASSEMBLED,6X65	<b>02999SK</b>		GASKET,TIMING BELT COVER				
<b>01597T</b>		BOLT,ENG OIL PAN					0512-1-	ALL					
0512-1-	ALL			<b>M980113</b>	CC	OR FLANGE,10X1,25X40	<b>02999SM</b>		GASKET,TIMING BELT COVER				
				<b>(M980113D)</b>		EUROPE USE ONLY	0512-1-	ALL					
				<b>MF140266</b>	2	FLANGE,10X40	<b>04124</b>		STRAINER,ENG OIL PAN				
							0512-1-	ALL					
<b>01597U</b>		BOLT,ENG OIL PAN					<b>04161</b>		GASKET,OIL STRAINER				
0512-1-	ALL			<b>MF140233</b>	2	FLANGE,8X40	0512-1-	ALL					
<b>01597V</b>		BOLT,ENG OIL PAN					<b>04178</b>		BOLT,OIL STRAINER				
0512-1-	ALL			<b>MD187493</b>	10	FLANGE,6X18	0512-1-	ALL					
<b>01597W</b>		BOLT,ENG OIL PAN											
0512-1-	ALL			<b>MF140208</b>	2	FLANGE,6X22							
<b>01597X</b>		BOLT,ENG OIL PAN											
0512-1-	ALL			<b>MF140202</b>	2	FLANGE,6X10							
0512-1-	ALL			<b>M811944</b>	CC	OR M6X12 EUROPE USE ONLY							
<b>02007P</b>		COVER,TIMING BELT											
0512-1-	ALL			<b>MD374380</b>	1								
<b>02007Q</b>		COVER,TIMING BELT											
0512-1-	ALL			<b>MD372750</b>	1								
<b>02012</b>		COVER,TIMING BELT UNDER											
0512-1-	ALL			<b>MD374382</b>	1								
<b>02041ZZ</b>		BRACKET,TIMING BELT COVER HARNESS CLIP											
0512-1-	ALL			<b>MD349904</b>	2								
<b>02122</b>		PLATE,CYLINDER BLOCK,RR											
0512-1-	ALL			<b>MD301242</b>	1								
<b>02199P</b>		BOLT,ENG RR PLATE											
0512-1-	ALL			<b>MF140202</b>	1	FLANGE,6X10							



# 11-210 PISTON & CRANKSHAFT

CS6A:ALL



F00205

CS6A:ALL (TABLE FOR CHOOSING STD PISTON)

(4G9)

<TOP OF CYLINDER BLOCK>

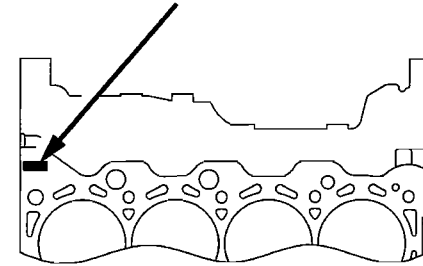
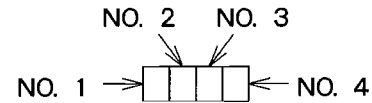


TABLE FOR CHOOSING

CYLINDER BORE SIZE MARK	STD PISTON
A OR 1	A
B OR 2	B
C OR 3	C

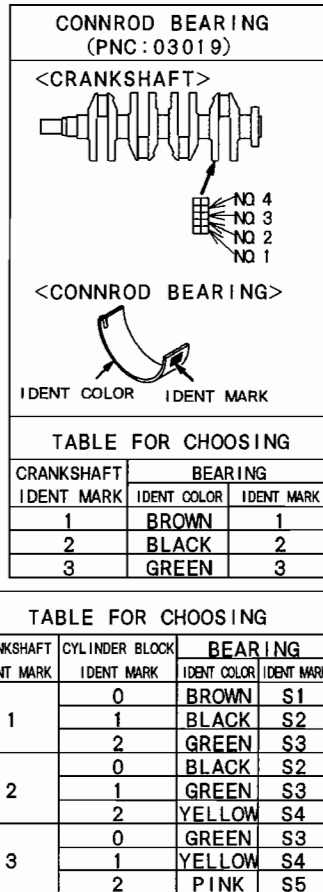
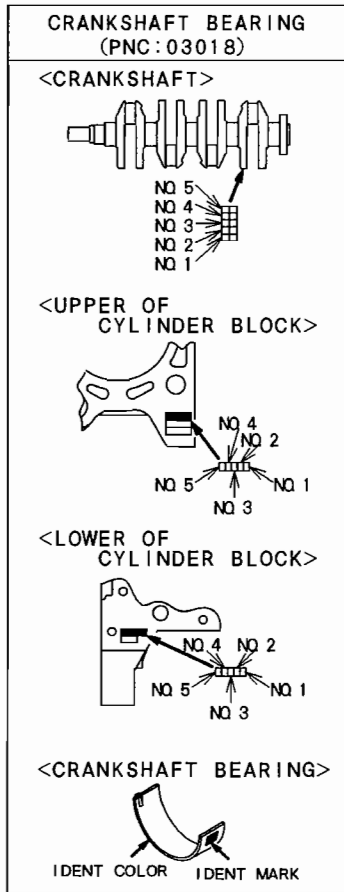
Note: Please refer to Service Manual about detail of selection criterion for them.

F00111

# 11-210 PISTON & CRANKSHAFT

CS6A:ALL (TABLE FOR CHOOSING BEARING)

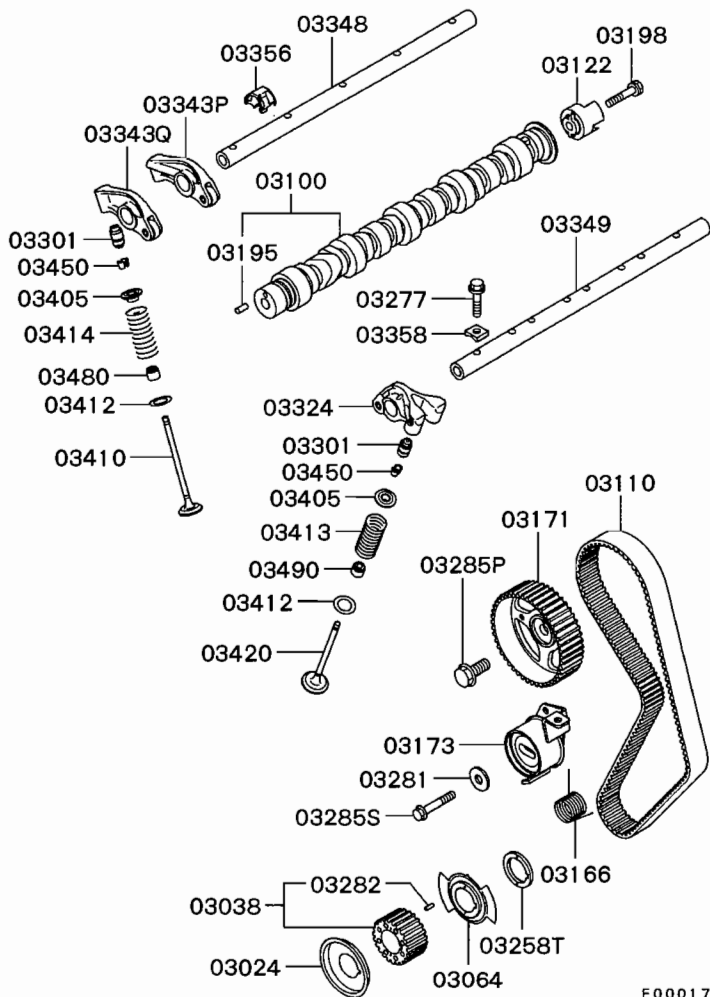
(4G9)



Note: Please refer to Service Manual about detail of selection criterion for them. F00021

PNC	MODEL APPLICABLE		PART NO. (REPL P/NO.)	QTY	REMARKS
	FROM/UP TO	TYPE DESCRIPTION			
<b>03000</b>		CRANKSHAFT			
0512-1-		ALL	<b>MD367449</b>	1	
<b>03006</b>		BOLT, CONNROD			
0512-1-		ALL	<b>MD368723</b>	8	8X50.5
<b>03010A</b>		CONNECTING ROD ASSY			
0512-1-		ALL	<b>MN143744</b>	4	
<b>03013</b>		CENTER BOLT, CRANKSHAFT PULLEY			
0512-1-0701-3		ALL	<b>MD095201</b> (MD131259)	1	14X40
			<b>1101A022</b>	1	14X40
0702-1-		ALL			
<b>03018</b>		BEARING, CRANKSHAFT			
0512-1-		ALL	<b>1052A438</b>		CC OR PLAIN, BLACK, STD 2
0512-1-		ALL	<b>1052A437</b>		5 PLAIN, BROWN, STD 1
0512-1-		ALL	<b>1052A439</b>		CC OR PLAIN, GREEN, STD 3
0512-1-		ALL	<b>1052A441</b>		CC OR PLAIN, PINK, STD 5
0512-1-		ALL	<b>1052A440</b>		CC OR PLAIN, YELLOW, STD 4
<b>03019</b>		BEARING, CONNROD			
0512-1-		ALL	<b>1115A103</b>		CC OR PLAIN, BLOCK, STD 2
0512-1-		ALL	<b>1115A102</b>		4 PLAIN, BROWN, STD 1
0512-1-		ALL	<b>1115A104</b>		CC OR PLAIN, GREEN, STD 3
<b>03020A</b>		PISTON & PIN ASSY			
0512-1-		ALL	<b>MN187171</b>		4 STD A
0512-1-		ALL	<b>MN187172</b>		CC OR STD B
0512-1-		ALL	<b>MN187173</b>		CC OR STD C
<b>03030A</b>		FLYWHEEL ASSY			
0512-1-		ALL	<b>MD749708</b>		1 FLEXIBLE TYPE
<b>03031</b>		NUT, CONNROD			
0512-1-		ALL	<b>MD144215</b>		8 8
<b>03047Z</b>		PULLEY, CRANKSHAFT			
0512-1-		ALL	<b>MD373417</b>		1 RIBBED; (2)
<b>03048</b>		THRUST BEARING SET, CRANKSHAFT			
0512-1-		ALL	<b>1052A442</b>		1
<b>03060</b>		RING SET, PISTON			
0512-1-		ALL	<b>1110B098</b>		4 STD
<b>03078</b>		PLATE, FLYWHEEL ADAPTER			
0512-1-		ALL	<b>MD749712</b>		2
<b>03078P</b>		PLATE, FLYWHEEL ADAPTER			
0512-1-		ALL	<b>MD747024</b>		1
<b>03782</b>		WASHER, CRANKSHAFT PULLEY			
0512-1-		ALL	<b>MD377400</b>		1 14.5
<b>03789</b>		KEY, CRANKSHAFT			
0512-1-		ALL	<b>MD008959</b>		1 WOODRUFF, 5X9
<b>03797</b>		BOLT, FLYWHEEL			
0512-1-		ALL	<b>MD751238</b>		7 11X19.5

# 11 -230 CAMSHAFT & VALVE



P N C	MODEL APPLICABLE		UNIT	PART NO. (REPL P/NO.)	Q Y	RE M A R K S
	FROM-UP TO	TYPE				
<b>03024</b>	ALL					
0512-1-		FLANGE,CRANKSHAFT SPROCKET				
<b>03038</b>	ALL	SPROCKET,CRANKSHAFT CAMSHAFT DRIVE		<b>MD096940</b>	1	
0512-1-		ALL		<b>MD190863</b>	1	
<b>03064</b>	ALL	BLADE,CRANKSHAFT ANGLE SENSING				
0512-1-		ALL		<b>MD190865</b>	1	
<b>03100</b>	ALL	CAMSHAFT				
0512-1-		ALL		<b>MD377224</b>	1	
<b>03110</b>	ALL	BELT,VALVE TIMING				
0512-1-		ALL		<b>MD186376</b>	1	
<b>03122</b>	ALL	CYLINDER,CAMSHAFT POSITION SENSING				
0512-1-		ALL		<b>MD374577</b>	1	
<b>03166</b>	ALL	SPRING,TIMING BELT TENSIONER				
0512-1-		ALL		<b>MD374578</b>	1	
<b>03171</b>	ALL	SPROCKET,CAMSHAFT				
0512-1-		ALL		<b>MD301986</b>	1	
<b>03173</b>	ALL	TENSIONER,TIMING BELT				
0512-1-		ALL		<b>MD320174</b>	1	
<b>03195</b>	ALL	PIN,CAMSHAFT				
0512-1-		ALL		<b>MD158443</b>	1	DOWEL,6X14
<b>03198</b>	ALL	BOLT,CAMSHAFT				
0512-1-0706-3		ALL		<b>MF241262</b>	1	WASHER ASSEMBLED,8X45
0512-1-		ALL		<b>M813299</b>	CC	OR 8X45 EUROPE USE ONLY
				<b>(M813299D)</b>		
				<b>MF241261</b>	1	WASHER ASSEMBLED,8X40
0707-1-		ALL				
<b>03258T</b>	ALL	SPACER,TIMING BELT TRAIN				
0512-1-0708-3		ALL		<b>MD184291</b>	1	4
0709-1-		ALL		<b>MD309036</b>	1	4
<b>03277</b>	ALL	BOLT,VALVE GEAR TRAIN				
0512-1-		ALL		<b>MD162682</b>	13	FLANGE,8X35
<b>03281</b>	ALL	WASHER,TIMING BELT TRAIN				
0512-1-		ALL		<b>MD001521</b>	1	PLAIN,8.5
<b>03282</b>	ALL	SPRING PIN,TIMING BELT TRAIN				
0512-1-		ALL		<b>MF472503</b>	2	2X8
<b>03285P</b>	ALL	BOLT,TIMING BELT TRAIN				
0512-1-		ALL		<b>MF140285</b>	1	FLANGE,12X30
<b>03285S</b>	ALL	BOLT,TIMING BELT TRAIN				
0512-1-		ALL		<b>MF140235</b>	1	FLANGE,8X50
<b>03301</b>	ALL	ADJUSTER,ROCKER ARM LASH				
0512-1-0704-3		ALL		<b>MD377561</b>	16	
				<b>(MD377560)</b>		
				<b>MD377560</b>	16	
0705-1-		ALL				
<b>03324</b>	ALL	ROCKER ARM,EXHAUST VALVE				
0512-1-		ALL		<b>MD319270</b>	4	
<b>03343P</b>	ALL	ROCKER ARM,INLET VALVE				
0512-1-		ALL		<b>MD319268</b>	4	

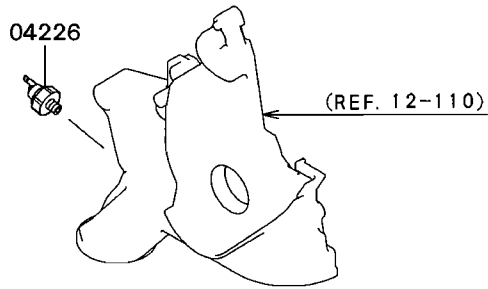
F00017

11 -230 CAMSHAFT & VALVE

P N C	MODEL APPLICABLE		P/R	PART NO. (REPL P/NO.)	Q Y	REMARKS
	FROM-UP TO	TYPE DESCRIPTION				
<b>03343Q</b>		ROCKER ARM,INLET VALVE				
0512-1-		ALL	<b>MD319269</b>	4		
<b>03348</b>		SHAFT,INLET VALVE ROCKER ARM				
0512-1-		ALL	<b>MD346958</b>	1		
<b>03349</b>		SHAFT,EXHAUST VALVE ROCKER ARM				
0512-1-		ALL	<b>MD346959</b>	1		
<b>03356</b>		SPRING,ROCKER SHAFT				
0512-1-		ALL	<b>MD166768</b>	4		
<b>03358</b>		CAP,ROCKER SHAFT				
0512-1-		ALL	<b>MD169459</b>	13		
<b>03405</b>		RETAINER,VALVE SPRING				
0512-1-		ALL	<b>MD159209</b>	16		
<b>03410</b>		VALVE,INLET				
0512-1-		ALL	<b>MD162422</b>	8 30.0		
<b>03412</b>		SEAT,VALVE SPRING				
0512-1-		ALL	<b>MD151527</b>	16		
<b>03413</b>		SPRING,EXHAUST VALVE				
0512-1-		ALL	<b>MD351199</b>	8		
<b>03414</b>		SPRING,INLET VALVE				
0512-1-		ALL	<b>MD351199</b>	8		
<b>03420</b>		VALVE,EXHAUST				
0512-1-		ALL	<b>MD162423</b>	8 27.0		
<b>03450</b>		LOCK,VALVE SPRING RETAINER				
0512-1-		ALL	<b>MD151369</b>	32		
<b>03480</b>		SEAL,INLET VALVE STEM				
0512-1-		ALL	<b>MD184303</b>	8 RUBBER 5.2		
<b>03490</b>		SEAL,EXHAUST VALVE STEM				
0512-1-		ALL	<b>MD184303</b>	8 RUBBER 5.2		

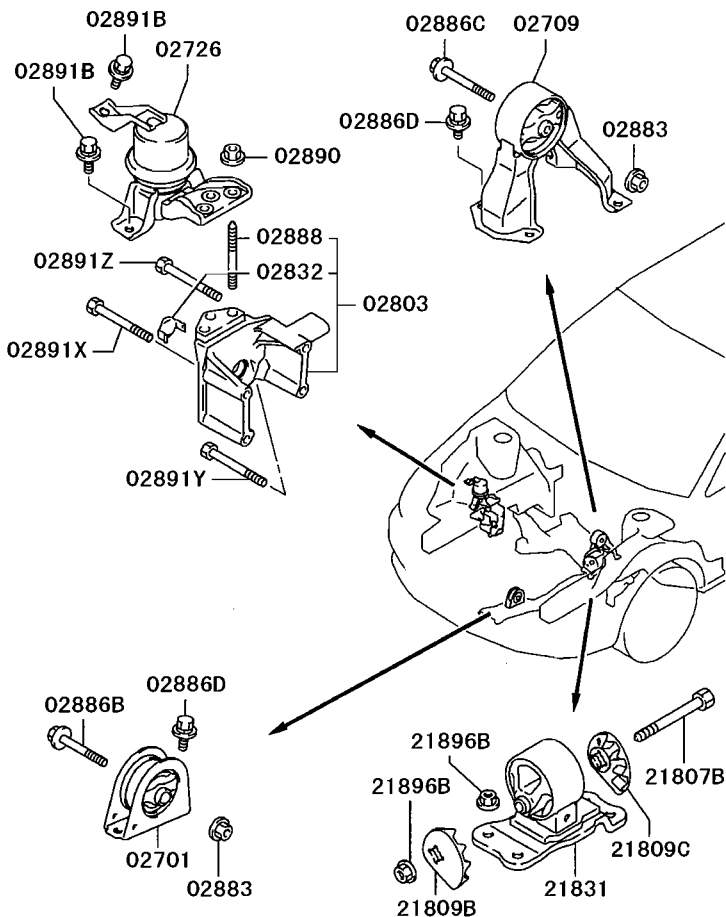
# 11 -320 OIL PRESS SWITCH OR GAUGE UNIT

P N C	MODEL APPLICABLE	B P	PART NO. (REPL P/NO.)	Q Y	REMARKS
FROM/UP TO	TYPE DESCRIPTION				
<b>04226</b> 0512-1-	SWITCH,ENG OIL PRESSURE ALL		<b>1258A003</b>	1	



500130

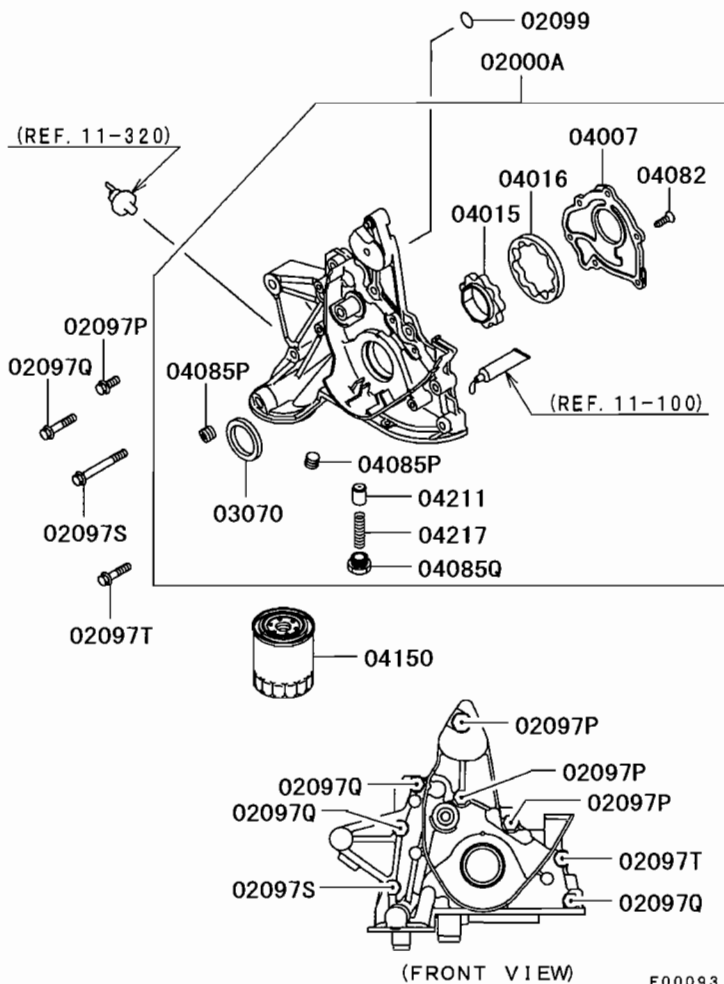
# 11-510 ENGINE MOUNTING & SUPPORT



000175

P/N C	MODEL APPLICABLE		PART NO. (REPL P/N.O.)	QTY	REMARKS
	FROM-UP TO	TYPE			
<b>02701</b>					
0512-1-					
<b>02709</b>			<b>MR554244</b>	1	
0512-1-					
<b>02726</b>			<b>MR961214</b>	1	
0512-1-					
<b>02803</b>			<b>MR491479</b>	1	
0512-1-					
<b>02832</b>			<b>MD374652</b>	1	
0512-1-					
<b>02883</b>			<b>MD183192</b>	1	
0512-1-					
<b>02886B</b>			<b>MF434105</b>	2	FLANGE,10
0512-1-					
<b>02886C</b>			<b>MF140273</b>	1	FLANGE,10X75
0512-1-					
<b>02886D</b>			<b>MR235604</b>	1	FLANGE,10X94
0512-1-					
<b>02888</b>			<b>MU000343</b>	6	FLANGE,10X25
0512-1-					
<b>02890</b>			<b>MD369534</b>	3	10X38
0512-1-					
<b>02891B</b>			<b>MB288462</b>	3	FLANGE SELF LOCKING,10
0512-1-					
<b>02891X</b>			<b>MS240295</b>	3	WASHER ASSEMBLED,10X25
0512-1-					
<b>02891Y</b>			<b>MF140276</b>	1	FLANGE,10X90
0512-1-					
<b>02891Z</b>			<b>MF140272</b>	1	FLANGE,10X70
0512-1-					
<b>21807B</b>			<b>MS241088</b>	1	WASHER ASSEMBLED,10X95
0512-1-					
<b>21809B</b>			<b>MF104928</b>	1	12X110
0512-1-					
<b>21809C</b>			<b>MR197613</b>	1	FOR FR
0512-1-					
<b>21831</b>			<b>MR197612</b>	1	FOR RR
0512-1-					
<b>21896B</b>			<b>MR491557</b>	1	
0512-1-					
<b>21896B</b>			<b>MF434106</b>	5	FLANGE,12
0512-1-					

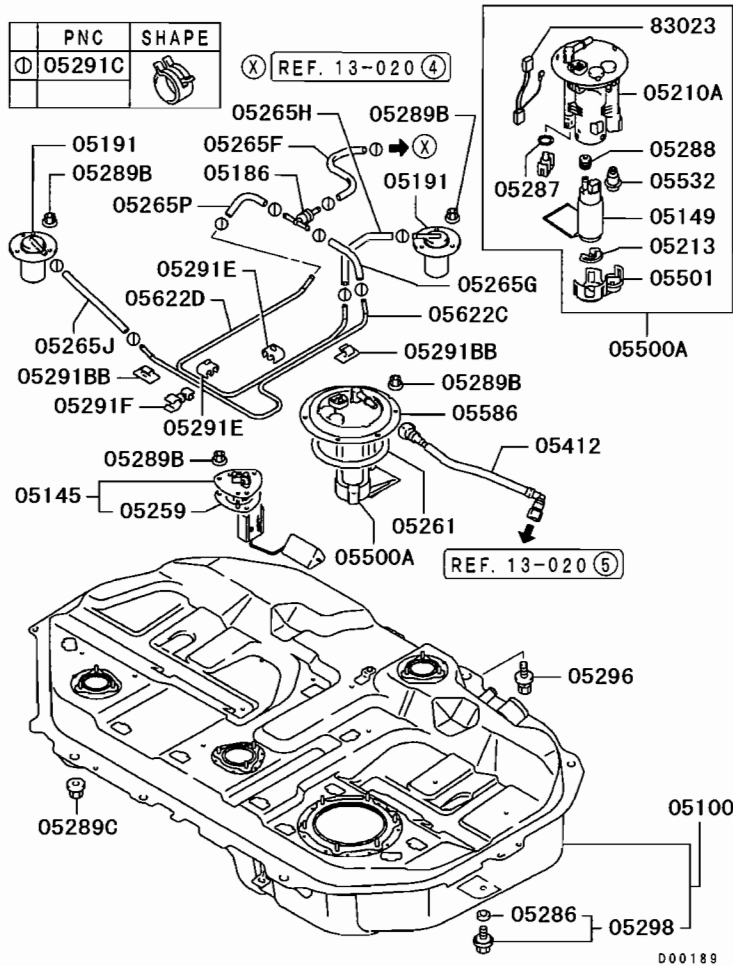
## 12 -110 OIL PUMP & OIL FILTER



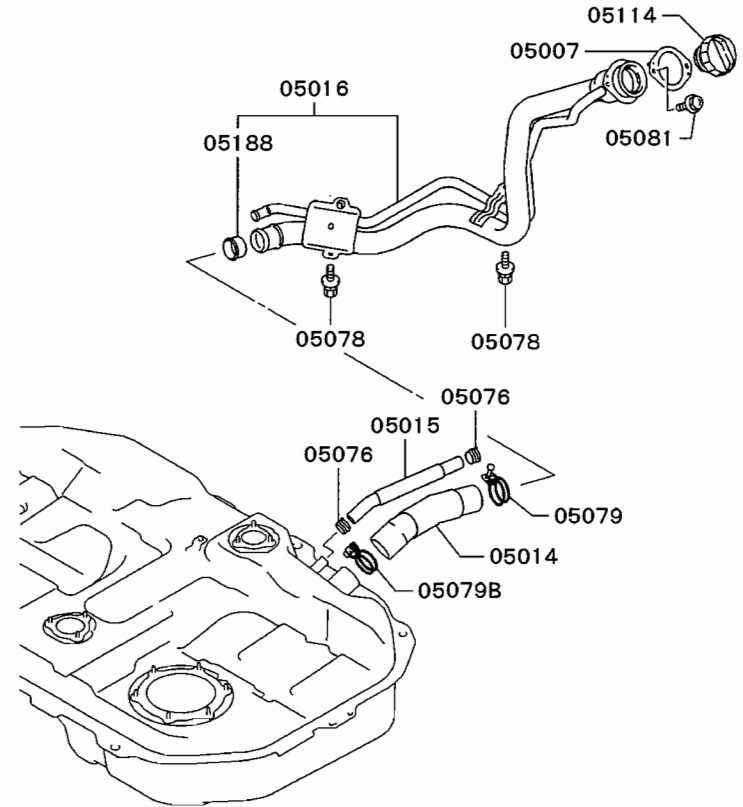
P N C	MODEL APPLICABLE		PART NO. (REPL P/NO.)	Q ↓	REMARKS
	FROM-UP TO	TYPE DESCRIPTION			
<b>02000A</b>		CASE ASSY,CYLINDER BLOCK,FR	<b>1211A073</b>	1	
0512-1-		ALL			
<b>02097P</b>		BOLT,ENG FR CASE	<b>MF140025</b>	3	FLANGE.8X20
0512-1-		ALL			
<b>02097Q</b>		BOLT,ENG FR CASE	<b>MF140033</b>	3	FLANGE.8X40
0512-1-		ALL			
<b>02097S</b>		BOLT,ENG FR CASE	<b>MF140039</b>	1	FLANGE.8X70
0512-1-		ALL			
<b>02097T</b>		BOLT,ENG FR CASE	<b>MF140031</b>	1	FLANGE.8X35
0512-1-		ALL			
<b>02099</b>		O-RING,ENG FR CASE	<b>MD163246</b>	1	16.8
0512-1-		ALL			
<b>03070</b>		OIL SEAL,CRANKSHAFT,FR	<b>MD168055</b>	1	
0512-1-		ALL			
<b>04007</b>		COVER,ENG OIL PUMP	<b>MD311460</b>	1	
0512-1-		ALL			
<b>04015</b>		GEAR,ENG OIL PUMP DRIVE	<b>MD342102</b>	1	ROTOR TYPE
0512-1-		ALL			
<b>04016</b>		GEAR,ENG OIL PUMP DRIVEN	<b>MD342103</b>	1	ROTOR TYPE
0512-1-		ALL			
<b>04082</b>		SCREW,ENG OIL PUMP INR	<b>MD141302</b>	6	
0512-1-		ALL			
<b>04085P</b>		PLUG,ENG OIL PUMP INR	<b>MD145018</b>	2	
0512-1-		ALL			
<b>04085Q</b>		PLUG,ENG OIL PUMP INR	<b>MD001404</b>	1	
0512-1-		ALL			
<b>04150</b>		OIL FILTER	<b>MD136466</b>		CC OR CARTRIDGE TYPE ND
0512-1-		ALL	<b>MD322508</b>		CC OR CARTRIDGE TYPE EUROPE
0512-1-		ALL			USE ONLY
0512-1-		ALL	<b>MD325714</b>		CC OR CARTRIDGE TYPE U.S.A.
0512-1-		ALL			USE ONLY
0512-1-		ALL	<b>MD332687</b>		CC OR CARTRIDGE TYPE ND
0512-1-		ALL	<b>MD360935</b>	1	CARTRIDGE TYPE TORO
0512-1-		ALL	<b>MD365876</b>		CC OR CARTRIDGE TYPE ND
<b>04211</b>		PLUNGER,ENG OIL RELIEF	<b>MD021563</b>	1	
0512-1-		ALL			
<b>04217</b>		SPRING,ENG OIL RELIEF PLUNGER	<b>MD015988</b>	1	
0512-1-		ALL			

# 13-010 FUEL TANK

CS6A:FUEL TANK



CS6A:FUEL FILLER PIPE



D000288



13-010 FUEL TANK

P N C		MODEL APPLICABLE	REPL	PART NO.	Q	REMARKS	P N C		MODEL APPLICABLE	REPL	PART NO.	Q	REMARKS
FROM-UP TO	TYPE	DESCRIPTION		(REPL P/NO.)			Y	FROM-UP TO	TYPE		DESCRIPTION		
<b>05007</b> 0512-1-		GASKET,FUEL FILLER NECK ALL		<b>MB554982</b>	1		<b>05265G</b> 0512-1-	HOSE,FUEL TANK ALL			<b>MU602845</b>	1	SIR 6X450 (6X80)
<b>05014</b> 0512-1-		HOSE,FUEL FILLER ALL		<b>MR503900</b>	1		<b>05265H</b> 0512-1-	HOSE,FUEL TANK ALL			<b>MR503808</b>	1	
<b>05015</b> 0512-1-		HOSE,FUEL FILLER NECK BREATHER ALL		<b>MR503905</b>	1		<b>05265J</b> 0512-1-	HOSE,FUEL TANK ALL			<b>MU602845</b>	1	SIR 6X450 (6X210)
<b>05016</b> 0512-1-		NECK,FUEL FILLER ALL	Y	<b>MR503892</b> <b>(MR503893)</b>	1		<b>05265P</b> 0512-1-	HOSE,FUEL TANK ALL			<b>MR503809</b>	1	
<b>05076</b> 0512-1-		CLIP,FUEL FILLER PIPE ALL		<b>MS660173</b>	2	D=18.5	<b>05286</b> 0512-1-	GASKET,FUEL TANK ALL			<b>MR100054</b>	1	8
<b>05078</b> 0512-1-		BOLT,FUEL FILLER PIPE ALL		<b>MS240198</b>	2	WASHER ASSEMBLED,6X20 COLORED	<b>05287</b> 0512-1-	O-RING,FUEL TANK ALL			<b>MR431119</b>	1	
<b>05079</b> 0512-1-		CLAMP,FUEL FILLER PIPE ALL		<b>MS660271</b>	1	45	<b>05288</b> 0512-1-	GROMMET,FUEL TANK ALL			<b>MR431121</b>	1	
<b>05079B</b> 0512-1-		CLAMP,FUEL FILLER PIPE ALL		<b>MS660272</b>	1	48	<b>05289B</b> 0512-1-	NUT,FUEL TANK ALL			<b>MS440501</b>	15	WASHER ASSEMBLED,5
<b>05081</b> 0512-1-		SCREW,FUEL FILLER PIPE ALL	Y	<b>MB400510</b> <b>(MU340031)</b>	2	WASHER ASSEMBLED,6X16	<b>05289C</b> 0512-1-	NUT,FUEL TANK ALL			<b>MS440504</b>	4	WASHER ASSEMBLED,10 COLORED
<b>05100</b> 0512-1-		FUEL TANK ALL		<b>MN106270</b>	1		<b>05291BB</b> 0512-1-	CLIP,FUEL TANK ALL			<b>MR342642</b>	4	10 BLACK
<b>05114</b> 0512-1-		CAP,FUEL TANK ALL		<b>MN120699</b>	1		<b>05291C</b> 0512-1-	CLIP,FUEL TANK ALL			<b>MR342643</b>	4	6
<b>05145</b> 0512-1-		GAUGE UNIT,FUEL TANK ALL		<b>MR503462</b>	1		<b>05291E</b> 0512-1-	CLIP,FUEL TANK ALL			<b>MS660169</b>	10	D=10
<b>05149</b> 0512-1-		PUMP,FUEL TANK ALL		<b>1760A179</b>	1		<b>05291F</b> 0512-1-	CLIP,FUEL TANK ALL			<b>MR161694</b>	2	
<b>05186</b> 0512-1-		VALVE,FUEL TANK VAPOR HOSE 2-WAY ALL		<b>MR342160</b>	1		<b>05296</b> 0512-1-	BOLT,FUEL TANK ALL			<b>MS470475</b>	1	6-10
<b>05188</b> 0512-1-		VALVE,FUEL FILLER NECK ALL		<b>MR135439</b>	1		<b>05298</b> 0512-1-	PLUG,FUEL TANK ALL			<b>MS240129</b>	1	WASHER ASSEMBLED,10X25
<b>05191</b> 0512-1-		VALVE,FUEL TANK SAFETY ALL		<b>MN120764</b>	2		<b>05412</b> 0512-1-	HOSE,FUEL HIGH PRESSURE ALL			<b>1715A135</b>	1	8
<b>05210A</b> 0512-1-		FILTER ASSY,FUEL TANK ALL		<b>MN135454</b>	1		<b>05500A</b> 0512-1-	FUEL PUMP ASSY ALL			<b>MR503827</b>	1	
<b>05213</b> 0512-1-		CUSHION,FUEL TANK PUMP ALL		<b>MR552785</b>	1		<b>05501</b> 0512-1-	BRACKET,FUEL PUMP ALL			<b>1760A136</b>	1	
<b>05259</b> 0512-1-		GASKET,FUEL TANK GAUGE ALL		<b>MB382513</b>	1		<b>05532</b> 0512-1-	REGULATOR,FUEL PUMP PRESSURE ALL			<b>MR552783</b>	1	
<b>05261</b> 0512-1-		GASKET,FUEL TANK PUMP ALL		<b>MN106046</b>	1		<b>05586</b> 0512-1-	PLATE,FUEL PUMP BRACKET ALL			<b>MR497126</b>	1	
<b>05265F</b> 0512-1-		HOSE,FUEL TANK ALL		<b>MR503807</b>	1		<b>05622C</b> 0512-1-	PIPE,FUEL VAPOR ALL			<b>MR271158</b>	1	
							<b>05622D</b> 0512-1-	PIPE,FUEL VAPOR ALL			<b>MN139965</b>	1	
											<b>MN139966</b>	1	

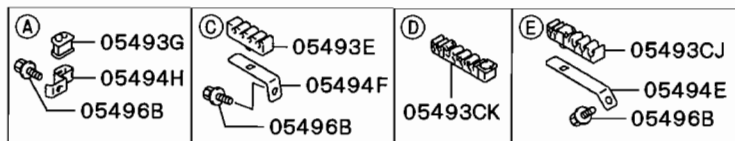
13 -010 FUEL TANK

P N C FROM-UP TO	MODEL APPLICABLE TYPE DESCRIPTION	R P	PART NO. (REPL P/NO.)	Q Y	REMARKS
<b>83023</b> 0512-1-	HARNESS,FUEL PUMP ALL		<b>MR497597</b>	1	

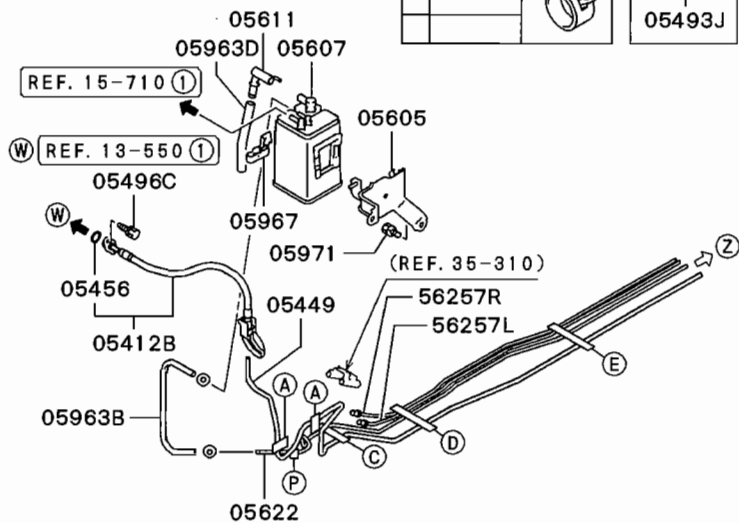
# 13-020 FUEL LINE & VAPOR GAS CONTROL

CS6A:FRONT

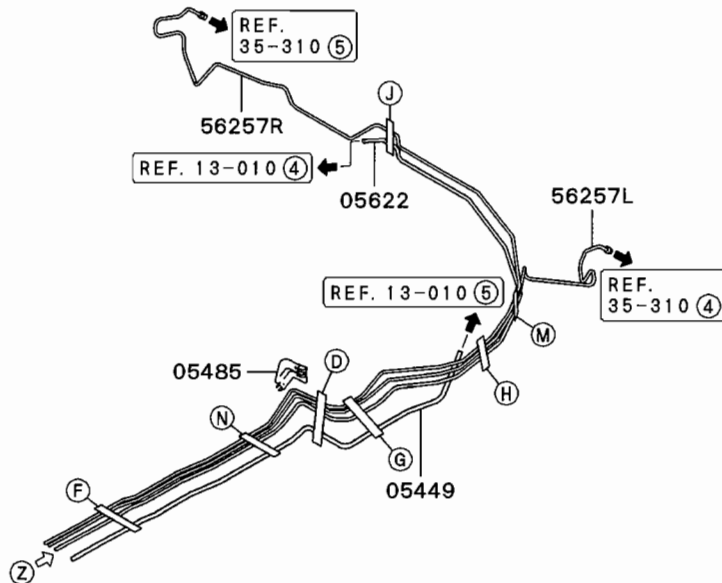
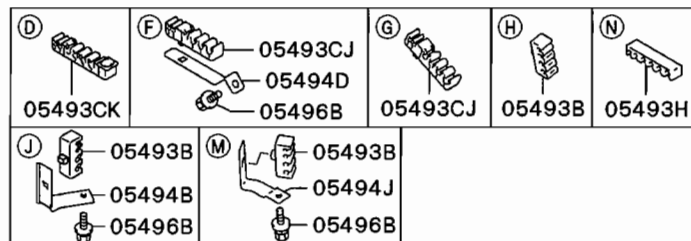
CS6A:REAR



PNC	SHAPE	(P)
05966		
		05493J



D00277



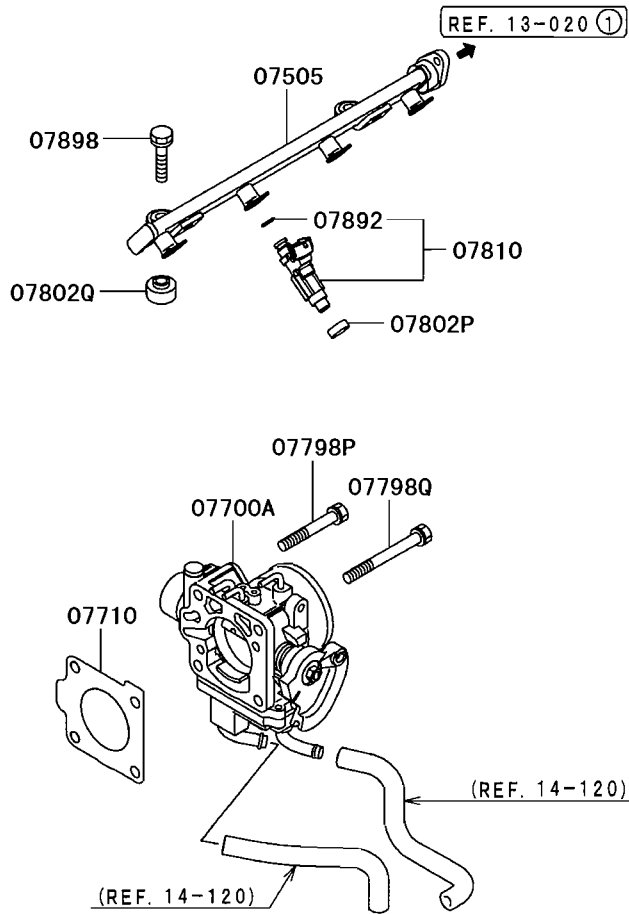
D00278

13 -020 FUEL LINE & VAPOR GAS CONTROL

P N C		MODEL APPLICABLE		P N C	Q	REMARKS	P N C		MODEL APPLICABLE		P N C	Q	REMARKS
FROM-UP TO	TYPE	DESCRIPTION	PART NO. (REPL. P/NO.)				FROM-UP TO	TYPE	DESCRIPTION	PART NO. (REPL. P/NO.)			
05412B	HOSE,FUEL HIGH PRESSURE			05963B	HOSE,FUEL VAPOR CONTROL LINE								
0512-1-	ALL		1741A223	0512-1-	ALL		MR497567				1		
05449	PIPE,FUEL LINE			05963D	HOSE,FUEL VAPOR CONTROL LINE								
0512-1-	ALL		1741A282	0512-1-	ALL		MN153457				1		
05456	O-RING,FUEL LINE			05966	CLIP,FUEL VAPOR CONTROL LINE								
0512-1-	ALL		MB554317	0512-1-	ALL		MS660169				2	D=10	
05485	PROTECTOR,FUEL LINE			05967	CLAMP,FUEL VAPOR CONTROL LINE								
0512-1-	ALL		4650A026	0512-1-	ALL		MN153456				1		
05493B	CLIP,FUEL LINE			05971	BOLT,FUEL VAPOR CONTROL LINE								
0512-1-	ALL		MR450759	0512-1-	ALL		MF240050				2	WASHER ASSEMBLED,8X14	
05493CJ	CLIP,FUEL LINE			56257L	TUBE,BRAKE MAIN,LH								
0512-1-	ALL		MN135768	0512-1-	ALL		MR493311				1		
05493CK	CLIP,FUEL LINE			56257R	TUBE,BRAKE MAIN,RH								
0512-1-	ALL		MN135769	0512-1-	ALL		MR493312				1		
05493E	CLIP,FUEL LINE												
0512-1-	ALL		MR450760										
05493G	CLIP,FUEL LINE												
0512-1-	ALL		MR323102			8,2,6,5 RUBBER (EPDM)							
05493H	CLIP,FUEL LINE												
0512-1-	ALL		MR497783										
05493J	CLIP,FUEL LINE												
0512-1-	ALL		MB595895								1	6	
05494B	CLAMP,FUEL LINE												
0512-1-	ALL		MR450765										
05494D	CLAMP,FUEL LINE												
0512-1-	ALL		MR464932										
05494E	CLAMP,FUEL LINE												
0512-1-	ALL		MR464931										
05494F	CLAMP,FUEL LINE												
0512-1-	ALL		MR464934										
05494H	CLAMP,FUEL LINE												
0512-1-	ALL		MR450951										
05494J	CLAMP,FUEL LINE												
0512-1-	ALL		MR497753										
05496B	BOLT,FUEL LINE												
0512-1-	ALL		MS240121			6 WASHER ASSEMBLED,6X16							
05496C	BOLT,FUEL LINE												
0512-1-	ALL		MU240020			2 WASHER ASSEMBLED,6X20							
05605	BRACKET,FUEL VAPOR CANISTER												
0512-1-	ALL		MR431571										
05607	CANISTER,FUEL VAPOR												
0512-1-	ALL		MR464469										
05611	CHECK VALVE,FUEL VAPOR CONTROL												
0512-1-	ALL		MR497568										
05622	PIPE,FUEL VAPOR												
0512-1-	ALL		MR431547										

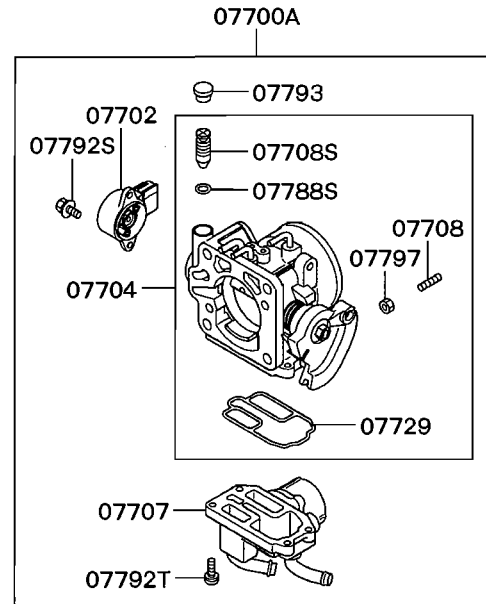
# 13 -550 INJECTOR & THROTTLE BODY

CS6A:ALL (ASSEMBLY)



F00073

CS6A:ALL (INNER PARTS)

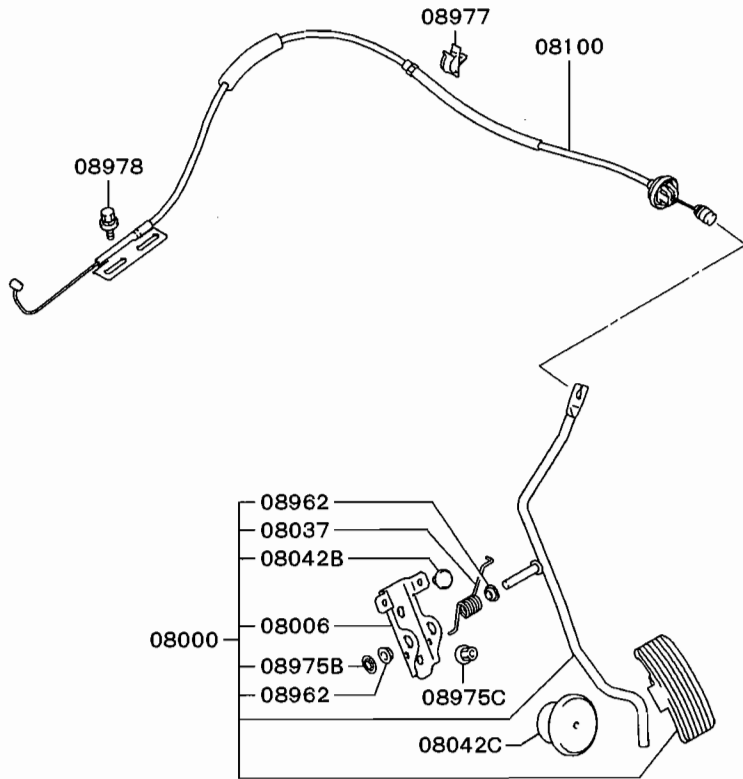


F00026

13 -550 INJECTOR & THROTTLE BODY

P N C	MODEL APPLICABLE	QTY	PART NO.	QTY	REMARKS
FROM-UP TO	TYPE DESCRIPTION		(REPL P/NO.)		
<b>07505</b> 0512-1-	PIPE,FUEL DELIVERY ALL		<b>MN143959</b>	1	
<b>07700A</b> 0512-1-	THROTTLE BODY ASSY ALL		<b>MR578421</b>	1	5500-16H71
<b>07702</b> 0512-1-	SENSOR,THROTTLE BODY THROTTLE ALL		<b>MD615571</b>	1	
<b>07704</b> 0512-1-	BODY,THROTTLE BODY MIXING ALL		<b>MD615613</b>	1	
<b>07707</b> 0512-1-	VALVE,FAST IDLE AIR ALL		<b>MR578268</b>	1	
<b>07708</b> 0512-1-	ADJUSTING SCREW,THROTTLE BODY SPEED ALL		<b>MD615573</b>	1	
<b>07708S</b> 0512-1-	ADJUSTING SCREW,THROTTLE BODY SPEED ALL		<b>MD615595</b>	1	
<b>07710</b> 0512-1-	GASKET,THROTTLE BODY ALL		<b>MR578755</b>	1	
<b>07729</b> 0512-1-	O-RING,THROTTLE BODY FAST IDLE AIR VALVE ALL		<b>MD615500</b>	1	
<b>07788S</b> 0512-1-	O-RING,THROTTLE BODY INR ALL		<b>MD615596</b>	1	
<b>07792S</b> 0512-1-	SCREW,THROTTLE BODY INR ALL		<b>MD615496</b>	2	
<b>07792T</b> 0512-1-	SCREW,THROTTLE BODY INR ALL		<b>MD615501</b>	4	
<b>07793</b> 0512-1-	CAP,THROTTLE BODY INR ALL		<b>MD615572</b>	1	
<b>07797</b> 0512-1-	NUT,THROTTLE BODY ALL		<b>MD615499</b>	1	
<b>07798P</b> 0512-1-	BOLT,THROTTLE BODY ALL		<b>MF241264</b>	2	WASHER ASSEMBLED,6X55
<b>07798Q</b> 0512-1-	BOLT,THROTTLE BODY ALL		<b>MF241267</b>	2	WASHER ASSEMBLED,6X70
<b>07802P</b> 0512-1-	INSULATOR,FUEL INJECTOR ALL		<b>MD087060</b>	4	
<b>07802Q</b> 0512-1-	INSULATOR,FUEL INJECTOR ALL		<b>MD095402</b>	2	
<b>07810</b> 0512-1-	INJECTOR KIT,FUEL ALL		<b>MN128318</b>	4	
<b>07892</b> 0512-1-0601-3	O-RING,FUEL INJECTOR ALL	Y	<b>MD614813</b> <b>(1465A188)</b>	4	NIKK
0602-1-	ALL		<b>1465A188</b>	4	7.6
<b>07898</b> 0512-1-	BOLT,FUEL INJECTOR ALL		<b>MF240059</b>	2	WASHER ASSEMBLED,6X35

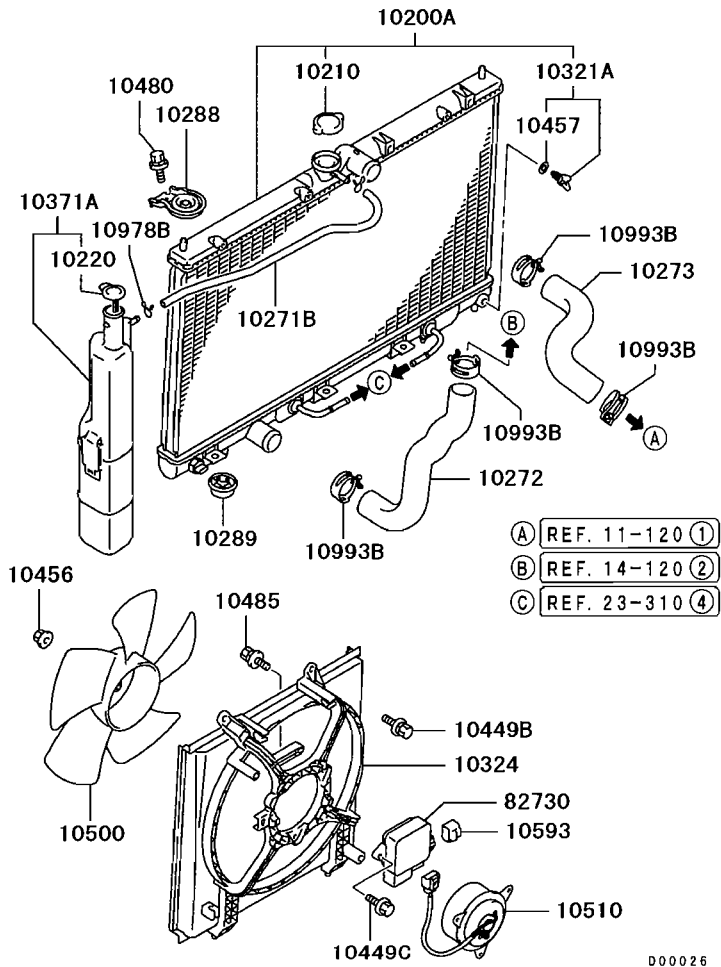
# 13-810 ENGINE CONTROL



0000208

P N C	MODEL APPLICABLE		PART NO. (REPL P/NO.)	QTY	REMARKS
	FROM-UP TO	TYPE			
<b>08000</b>					
0512-1-0804-3			<b>MR493832</b>	1	
0805-1-			<b>MR493832</b>	1	
0805-1-			<b>1600A015</b>	1	
<b>08006</b>					
0512-1-			<b>MR527866</b>	1	
<b>08037</b>					
0512-1-			<b>MR510980</b>	1	
<b>08042B</b>					
0512-1-			<b>MR235515</b>	1	D=18
<b>08042C</b>					
0512-1-			<b>MR527100</b>	1	
<b>08100</b>					
0512-1-			<b>MR594658</b>	1	
<b>08962</b>					
0512-1-			<b>MR307081</b>	2	
<b>08975B</b>					
0512-1-			<b>MR307082</b>	1	
<b>08975C</b>					
0512-1-			<b>MS440503</b>	2	WASHER ASSEMBLED.8
<b>08977</b>					
0512-1-			<b>MB084256</b>	1	8.5
<b>08978</b>					
0512-1-			<b>MF243624</b>	2	WASHER ASSEMBLED.6X16

# 14 -010 RADIATOR,HOSE & CONDENSER TANK



P N C	MODEL APPLICABLE		PART NO. (REPL P/NO.)	QTY	REMARKS
	FROM-UP TO	TYPE DESCRIPTION			
<b>10200A</b>		RADIATOR ASSY			
0512-1-	ALL		<b>MR968857</b>	1	
<b>10210</b>		CAP,RADIATOR			
0512-1-	ALL		<b>MR481252</b>	1	
<b>10220</b>		CAP,RADIATOR CONDENSER TANK			
0512-1-	ALL		<b>MR312077</b>	1	
<b>10271B</b>		HOSE,RADIATOR CONDENSER TANK			
0512-1-	ALL		<b>MS600623</b>	1	SIR 7X2000 (375)
<b>10272</b>		HOSE,RADIATOR,LWR			
0512-1-	ALL		<b>MN156854</b>	1	
<b>10273</b>		HOSE,RADIATOR,UPR			
0512-1-	ALL		<b>MN135916</b>	1	
<b>10288</b>		INSULATOR,RADIATOR SUPPORT,UPR			
0512-1-	ALL		<b>MR464628</b>	2	
<b>10289</b>		INSULATOR,RADIATOR SUPPORT,LWR			
0512-1-	ALL		<b>MB356979</b>	2	
<b>10321A</b>		PLUG ASSY,RADIATOR			
0512-1-	ALL		<b>MR179933</b>	1	
<b>10324</b>		SHROUD,COOLING FAN			
0512-1-	ALL		<b>MR497770</b>	1	
<b>10371A</b>		TANK ASSY,RADIATOR CONDENSER			
0512-1-	ALL		<b>MR450237</b>	1	
<b>10449B</b>		BOLT,RADIATOR			
0512-1-	ALL		<b>MN180658</b>	2	
<b>10449C</b>		BOLT,RADIATOR			
0512-1-	ALL		<b>MR314800</b>	2	
<b>10456</b>		NUT,RADIATOR			
0512-1-	ALL		<b>MB605081</b>	1	FLANGE
<b>10457</b>		O-RING,RADIATOR			
0512-1-	ALL		<b>MR212315</b>	1	
<b>10480</b>		BOLT,RADIATOR SUPPORT			
0512-1-	ALL		<b>MS240125</b>	2	WASHER ASSEMBLED,8X20
<b>10485</b>		SCREW,RADIATOR			
0512-1-	ALL		<b>MB890474</b>	3	
<b>10500</b>		FAN,COOLING			
0512-1-	ALL		<b>MR464708</b>	1	
<b>10510</b>		MOTOR,COOLING FAN			
0512-1-	ALL		<b>MR464707</b>	1	
<b>10593</b>		PROTECTOR,COOLING FAN			
0512-1-	ALL		<b>MR497555</b>	1	
<b>10978B</b>		CLIP,RADIATOR CONDENSER TANK			
0512-1-0707-3	CS6A ALL		<b>MS660205</b>	2	D=11.5
0708-1-	CS6A ALL		<b>MS660205</b>	1	D=11.5
<b>10993B</b>		CLIP,RADIATOR PIPING			
0512-1-	ALL		<b>MR404538</b>	4	D=37

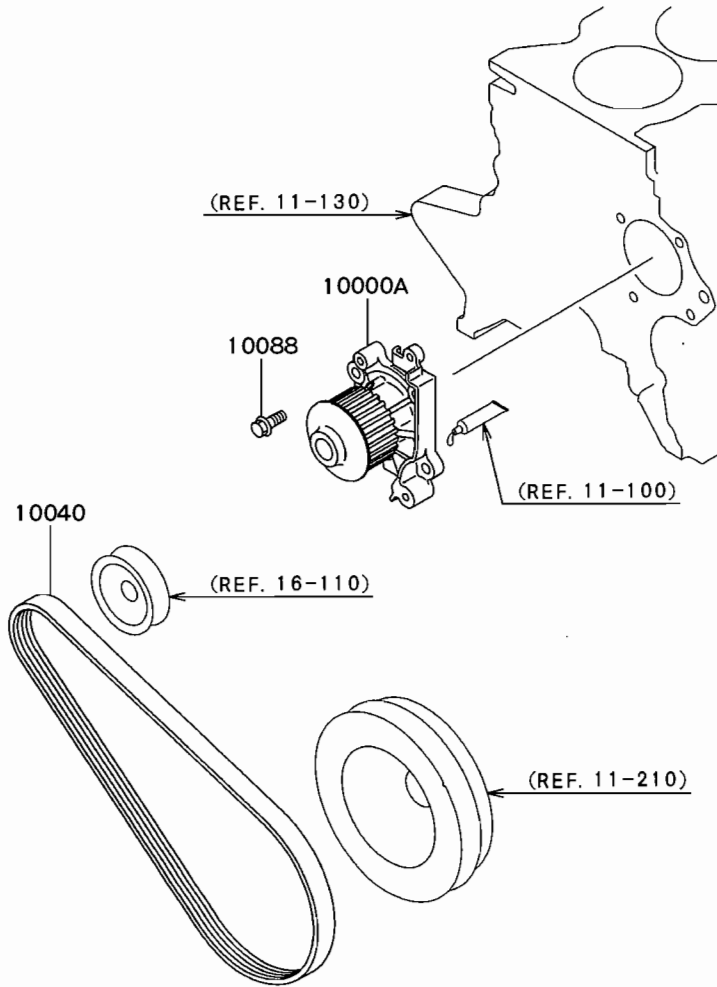


# 14 -010 RADIATOR,HOSE & CONDENSER TANK

P N C	MODEL APPLICABLE	P R T	PART NO. (REPL P/NO.)	Q Y	REMARKS
FROM-UP TO	TYPE DESCRIPTION				
<b>82730</b> 0512-1-	CONTROL UNIT,COOLING FAN MOTOR DRIVE ALL		<b>1355A124</b>	1	

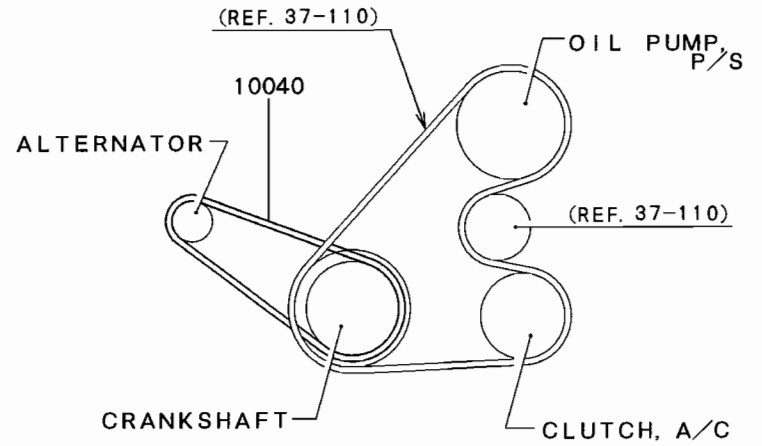
# 14-110 WATER PUMP

CS6A:ALL



500132

CS6A:ALL (BELT FRONT VIEW)

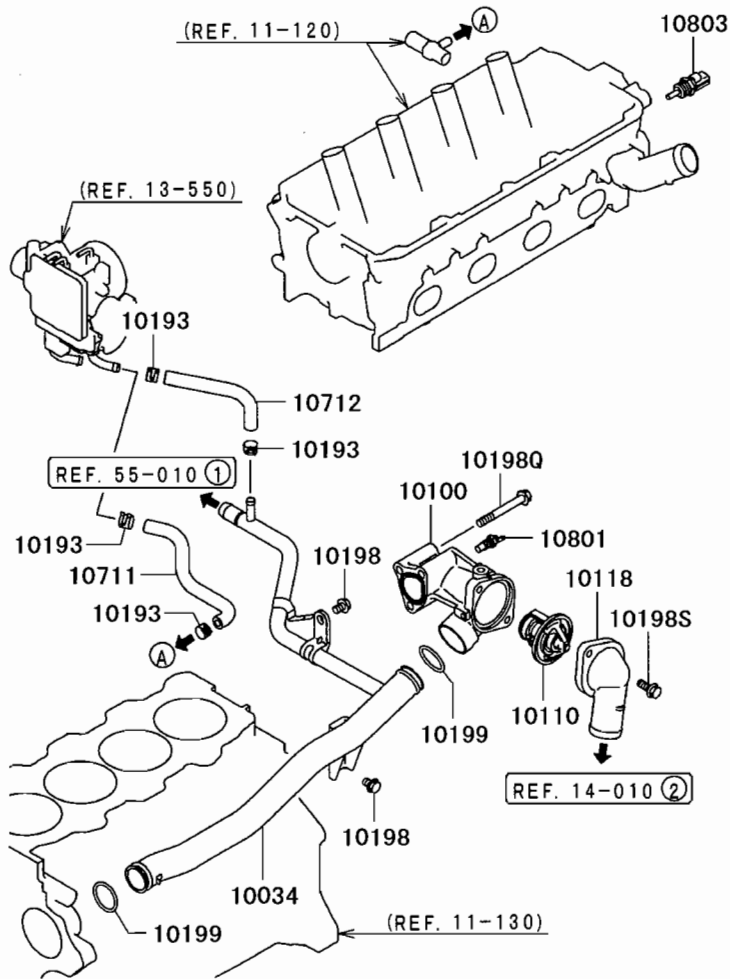


510094

# 14 -110 WATER PUMP

P N C	MODEL APPLICABLE	P A R T	P A R T N O.	Q T Y	R E M A R K S
FROM-UP TO	TYPE DESCRIPTION		(REPL P/NO.)		
<b>10000A</b> 0512-1-	WATER PUMP ASSY ALL		<b>MD309756</b>	1	
<b>10040</b> 0512-1-	BELT,ALTERNATOR & OTHERS ALL		<b>MN187176</b>	1 775	
<b>10088</b> 0512-1-	BOLT,WATER PUMP ALL		<b>MF140225</b>	4	FLANGE,8X20

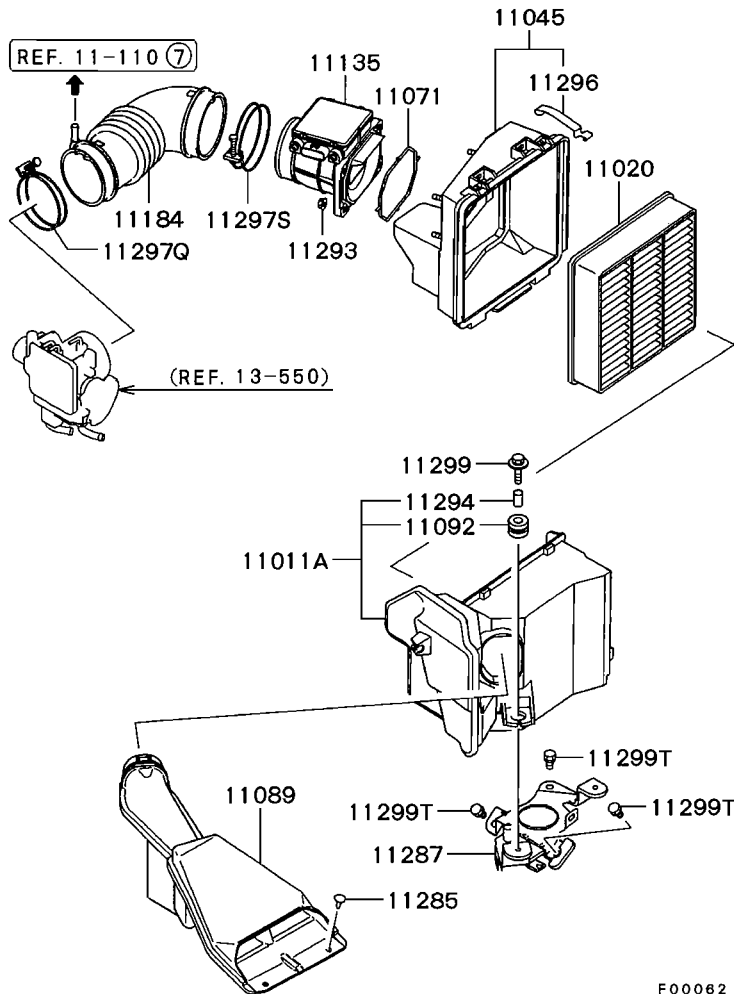
# 14 -120 WATER PIPE & THERMOSTAT



F00041

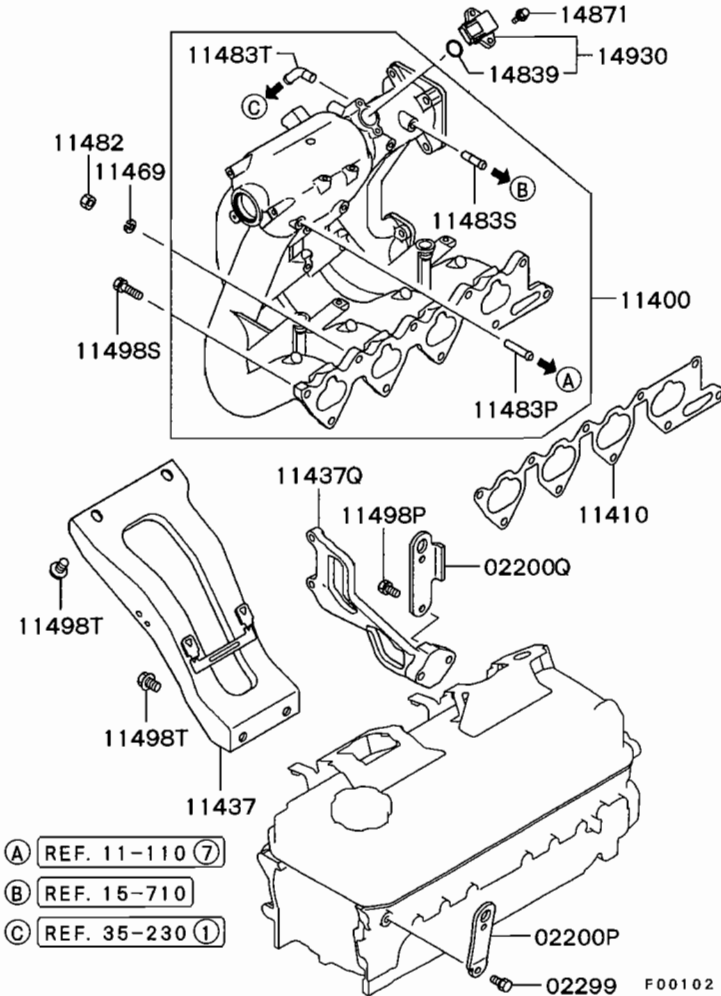
P N C	MODEL APPLICABLE		PART NO. (REPL. P/NO.)	Q Y	REMARKS
	FROM/UP TO	TYPE			
<b>10034</b>					
0512-1-					
<b>10100</b>			<b>MD374452</b>	1	
0512-1-					
<b>10110</b>			<b>MN137414</b>	1	
0512-1-					
<b>10118</b>			<b>MD337408</b>	1 B2	
0512-1-					
<b>10193</b>			<b>MN187347</b>	1	
0512-1-					
<b>10198</b>			<b>MS660240</b>	4 D=13.1	
0512-1-					
<b>10198Q</b>			<b>MF140021</b>	2 FLANGE,8X12	
0512-1-					
<b>10198S</b>			<b>MF140238</b>	3 FLANGE,8X85	
0512-1-					
<b>10199</b>			<b>MF140225</b>	2 FLANGE,8X20	
0512-1-					
<b>10199</b>			<b>MD145371</b>	2 29	
0512-1-					
<b>10711</b>			<b>MD371389</b>	1	
0512-1-					
<b>10712</b>			<b>MD371450</b>	1	
0512-1-					
<b>10801</b>			<b>MD091056</b>	1	
0512-1-					
<b>10803</b>			<b>MD177572</b>	1	
0512-1-					

# 15-010 AIR CLEANER



P N C	MODEL APPLICABLE		P	PART NO. (REPL P/NO.)	Q	RE MARKS
	FROM-UP TO	TYPE				
<b>11011A</b>	0512-1-	ALL		<b>MR597046</b>	1	
	0512-1-	ALL		<b>MZ690193</b>	CC	OR
<b>11020</b>	0512-1-0804-3	ALL		<b>MR552951</b>	1	NON WOVEN
	0512-1-	ALL		<b>MR552102</b>	1	
<b>11045</b>	0512-1-	ALL		<b>MD151672</b>	1	
	0512-1-	ALL		<b>MN135194</b>	1	
<b>11071</b>	0512-1-	ALL		<b>MR450097</b>	3	
	0512-1-	ALL		<b>MD343605</b>	1	
<b>11089</b>	0512-1-	ALL		<b>MR571700</b>	1	
	0512-1-	ALL		<b>MB345544</b>	2	BLACK,6.5-7.5
<b>11092</b>	0512-1-	ALL		<b>MN156580</b>	1	
	0512-1-	ALL		<b>MF434103</b>	4	FLANGE,6
<b>11135</b>	0512-1-	ALL		<b>M945407</b>	CC	OR FLANGE,6 EUROPE USE ONLY
	0512-1-	ALL		<b>(M945407D)</b>		
<b>11184</b>	0512-1-	ALL		<b>MR312769</b>	2	
	0512-1-	ALL		<b>MR481796</b>	2	
<b>11285</b>	0512-1-	ALL		<b>MF661137</b>	1	80
	0512-1-	ALL		<b>MF661142</b>	1	93
<b>11287</b>	0512-1-	ALL		<b>MD305640</b>	2	WASHER ASSEMBLED,6X35
	0512-1-	ALL		<b>MS240125</b>	3	WASHER ASSEMBLED,8X20
<b>11293</b>	0512-1-	ALL				
	0512-1-	ALL				
<b>11294</b>	0512-1-	ALL				
	0512-1-	ALL				
<b>11296</b>	0512-1-	ALL				
	0512-1-	ALL				
<b>11297Q</b>	0512-1-	ALL				
	0512-1-	ALL				
<b>11297S</b>	0512-1-	ALL				
	0512-1-	ALL				
<b>11299</b>	0512-1-	ALL				
	0512-1-	ALL				
<b>11299T</b>	0512-1-	ALL				
	0512-1-	ALL				

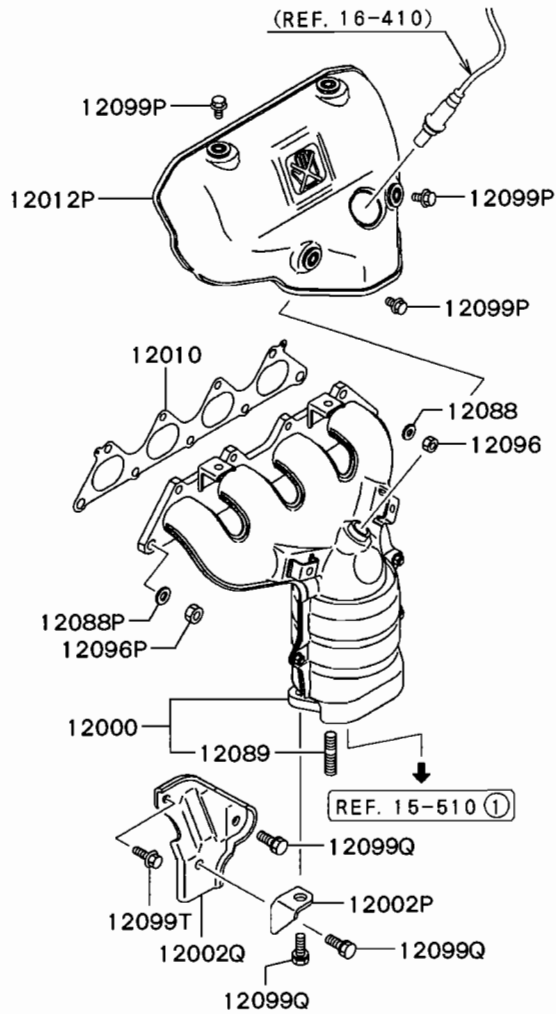
# 15-210 INLET MANIFOLD



P N C	MODEL APPLICABLE		PART NO. (REPL P/NO.)	Q Y	REMARKS
	FROM-UP TO	TYPE DESCRIPTION			
<b>02200P</b>	ALL	ENGINE HANGER			
0512-1-		ALL	<b>MD129705</b>	1	
<b>02200Q</b>	ALL	ENGINE HANGER			
0512-1-		ALL	<b>MR561188</b>	1	
<b>02299</b>	ALL	BOLT,ENG HANGER			
0512-1-		ALL	<b>MF140223</b>	1	FLANGE,8X16
<b>11400</b>	ALL	MANIFOLD,INLET			
0512-1-		ALL	<b>MN156456</b>	1	
<b>11410</b>	ALL	GASKET,INLET MANIFOLD			
0512-1-		ALL	<b>MD312441</b>	1	
<b>11437</b>	ALL	STAY,INLET MANIFOLD			
0512-1-		ALL	<b>MD354450</b>	1	
<b>11437Q</b>	ALL	STAY,INLET MANIFOLD			
0512-1-		ALL	<b>MN143935</b>	1	
<b>11469</b>	ALL	WASHER,INLET MANIFOLD			
0512-1-		ALL	<b>MF450405</b>	3	SPRING,8
<b>11482</b>	ALL	NUT,INLET MANIFOLD			
0512-1-		ALL	<b>MF430151</b>	3	JAM,8
<b>11483P</b>	ALL	NIPPLE,INLET MANIFOLD			
0512-1-		ALL	<b>MD102444</b>	1	D=8
<b>11483S</b>	ALL	NIPPLE,INLET MANIFOLD			
0512-1-		ALL	<b>MD088093</b>	1	8
<b>11483T</b>	ALL	NIPPLE,INLET MANIFOLD			
0512-1-		ALL	<b>MD308174</b>	1	10
<b>11498P</b>	ALL	BOLT,INLET MANIFOLD			
0512-1-		ALL	<b>MF140228</b>	2	FLANGE,8X28
<b>11498S</b>	ALL	BOLT,INLET MANIFOLD			
0512-1-		ALL	<b>MF241256</b>	7	WASHER ASSEMBLED,8X28
<b>11498T</b>	ALL	BOLT,INLET MANIFOLD			
0512-1-		ALL	<b>MF140056</b>	4	FLANGE,10X16
<b>14839</b>	ALL	O-RING,ENG CONTROL PRESSURE SENSOR			
0512-1-		ALL	<b>MD632057</b>	1	
<b>14871</b>	ALL	BOLT,ENG CONTROL PRESSURE SENSOR			
0512-1-		ALL	<b>MF244805</b>	2	WASHER ASSEMBLED,5X16
<b>14930</b>	ALL	SENSOR,INLET MANIFOLD ABSOLUTE PRESSURE			
0512-1-		ALL	<b>MN153281</b>	1	

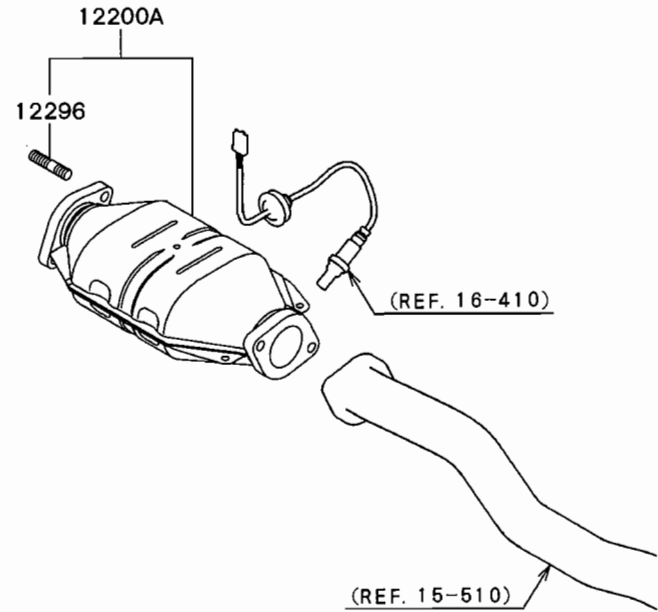
# 15-310 EXHAUST MANIFOLD

CS6A:ALL



F00025

CS6A:ALL (CATALYTIC CONVERTER)



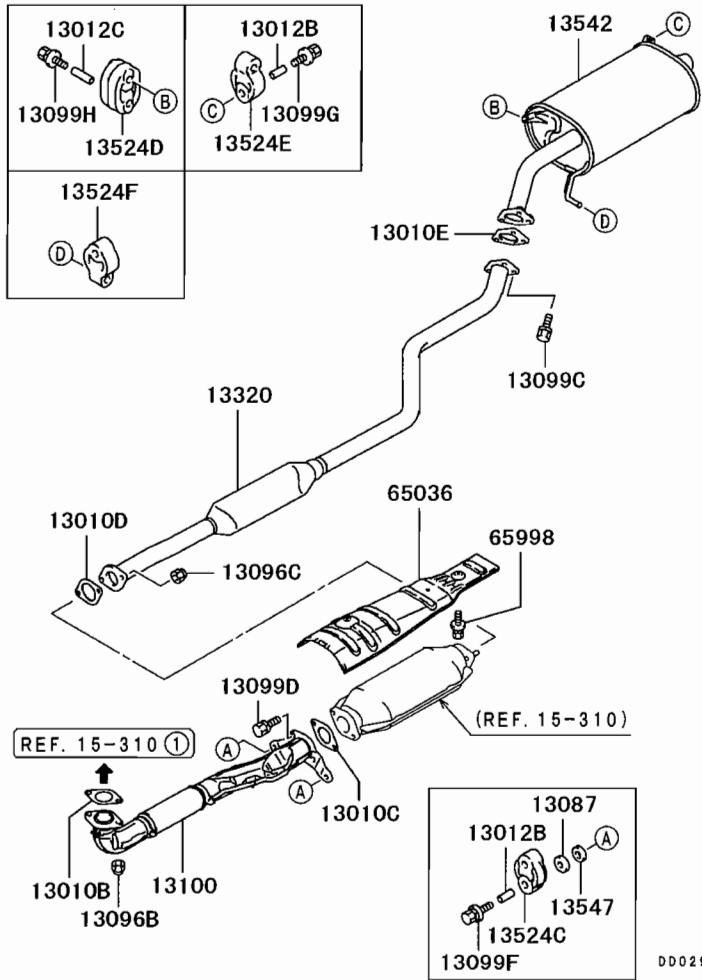
F00116

15-310 EXHAUST MANIFOLD

PNC	MODEL APPLICABLE	QTY	PART NO.	QTY	REMARKS
FROM-UP TO	TYPE DESCRIPTION	QTY	(REPL P/NO.)	QTY	
<b>12000</b> 0512-1-	MANIFOLD,EXHAUST ALL		<b>1555A043</b>	1	WICA/CONV ID=ML
<b>12002P</b> 0512-1-	BRACKET,EXHAUST MANIFOLD ALL		<b>MR529970</b>	1	
<b>12002Q</b> 0512-1-	BRACKET,EXHAUST MANIFOLD ALL		<b>MR529974</b>	1	
<b>12010</b> 0512-1-	GASKET,EXHAUST MANIFOLD ALL		<b>MR497557</b>	1	
<b>12012P</b> 0512-1-	COVER,EXHAUST MANIFOLD ALL		<b>MN119250</b>	1	
<b>12088</b> 0512-1-	WASHER,EXHAUST MANIFOLD ALL		<b>MS450035</b>	7	PLAIN,8
<b>12088P</b> 0512-1-	WASHER,EXHAUST MANIFOLD ALL		<b>MS450036</b>	2	PLAIN,10
<b>12089</b> 0512-1-	STUD,EXHAUST MANIFOLD ALL		<b>MR497545</b>	2	12X32
<b>12096</b> 0512-1-	NUT,EXHAUST MANIFOLD ALL		<b>MD000569</b>	7	8
<b>12096P</b> 0512-1-	NUT,EXHAUST MANIFOLD ALL		<b>MA152484</b>	2	10
<b>12099P</b> 0512-1-	BOLT,EXHAUST MANIFOLD ALL		<b>MD025178</b>	4	FLANGE,8X16
<b>12099Q</b> 0512-1-	BOLT,EXHAUST MANIFOLD ALL		<b>MF244879</b>	3	WASHER ASSEMBLED,10X22
<b>12099T</b> 0512-1-	BOLT,EXHAUST MANIFOLD ALL		<b>MF244853</b>	1	WASHER ASSEMBLED,8X25
<b>12200A</b> 0512-1-	CONVERTER ASSY,CATALYTIC ALL		<b>MN180623</b>	1	ID=LS
<b>12296</b> 0512-1-	STUD,CATALYTIC CONVERTER ALL		<b>MR497545</b>	2	12X32



# 15-510 EXHAUST PIPE & MUFFLER



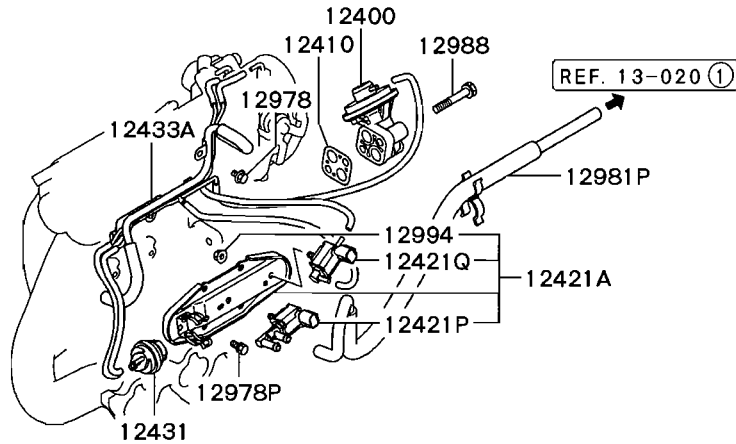
DD0298

P N C	MODEL APPLICABLE		PART NO. (REPL P/NO.)	Q Y	RE MARKS
	FROM UP TO	TYPE			
<b>13010B</b>	ALL		<b>MB687002</b>	1	
0512-1-					
<b>13010C</b>	ALL		<b>MB687002</b>	1	
0512-1-					
<b>13010D</b>	ALL		<b>MB687002</b>	1	
0512-1-					
<b>13010E</b>	ALL		<b>MB687012</b>	1	
0512-1-					
<b>13012B</b>	ALL		<b>MB514690</b>	3	
0512-1-					
<b>13012C</b>	ALL		<b>MB611937</b>	1	
0512-1-					
<b>13087</b>	ALL		<b>MF450154</b>	2	PLAIN,8
0512-1-					
<b>13096B</b>	ALL		<b>MB059359</b>	2	SELF LOCKING,12
0512-1-					
<b>13096C</b>	ALL		<b>MR571083</b>	2	
0512-1-					
<b>13099C</b>	ALL		<b>MF241286</b>	3	WASHER ASSEMBLED,10X35
0512-1-					
<b>13099D</b>	ALL		<b>MF241309</b>	2	WASHER ASSEMBLED,12X30
0512-1-					
<b>13099F</b>	ALL		<b>MF243660</b>	2	WASHER ASSEMBLED,8X45
0512-1-					
<b>13099G</b>	ALL		<b>MF243659</b> <b>(MF244859)</b>	1	WASHER ASSEMBLED,8X40
0512-1-					
<b>13099H</b>	ALL		<b>MF243662</b>	1	WASHER ASSEMBLED,8X55
0512-1-					
<b>13100</b>	ALL		<b>MR552274</b>	1	
0512-1-					
<b>13320</b>	ALL		<b>1570A217</b>	1	
0512-1-					
<b>13524C</b>	ALL		<b>MR514734</b>	2	
0512-1-					
<b>13524D</b>	ALL		<b>MR281816</b>	1	
0512-1-					
<b>13524E</b>	ALL		<b>MR529673</b>	1	
0512-1-					
<b>13524F</b>	ALL		<b>MR529673</b>	1	
0512-1-					
<b>13542</b>	ALL		<b>MN153250</b>	1	
0512-1-0804-3	CS6A	SNJERDW			
0512-1-0804-3	CS6A	SNDERDW	<b>MN180617</b>	1	
0805-1-	CS6A	ALL	<b>MN153250</b>	1	

15 -510 EXHAUST PIPE & MUFFLER

P N C	MODEL APPLICABLE		PART NO.	Q	REMARKS
FROM-UP TO	TYPE DESCRIPTION	UNIT	(REPL P/NO.)	↓	
<b>13547</b> 0512-1-	SEAT,EXHAUST MUFFLER HANGER ALL		<b>MB651931</b>	2	
<b>65036</b> 0512-1-	PROTECTOR,UNDER FR FLOOR HEAT ALL		<b>MR435187</b>	1	
<b>65998</b> 0512-1-	BOLT,FLOOR HEAT PROTECTOR ALL		<b>MS240121</b>	2	WASHER ASSEMBLED,6X16

CS6A:ALL



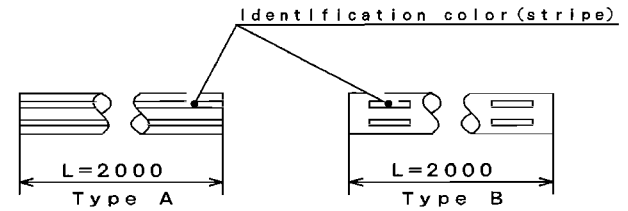
F00137

CS6A:ALL (VACUUM HOSES SPECIFICATIONS)

## VACUUM HOSE

**NOTE:**

Vacuum hose are supplied as the roll of 2 meter or vacuum hose assembly. cut into adequate length for each use of rolled hose.



Color	Part NO.	
	Type A	Type B
Stripe-less (Without stripe)		MS632192
Light blue	MS630392	MS632392
White	MS630592	MS632592
Yellow	MS630792	MS632792
Green	MS630992	MS632992
Red	MS631192	MS633192

500070

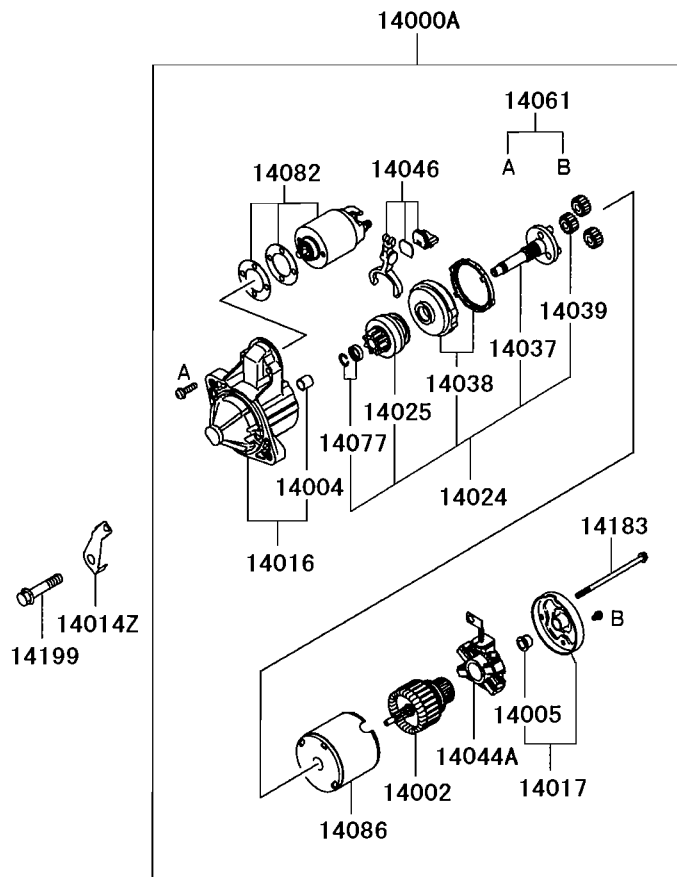
15 -710 EMISSION CONTROL

P N C	MODEL APPLICABLE	REPL	PART NO.	Q	REMARKS
FROM-UP TO	TYPE DESCRIPTION	Y	(REPL P/NO.)	T	
<b>12400</b> 0512-1-	VALVE,EGR ALL		<b>MD155224</b>	1	
<b>12410</b> 0512-1-	GASKET,EGR VALVE ALL	Y	<b>MD088604</b> <b>(MD119127)</b>	1	
<b>12421A</b> 0512-1-	VALVE ASSY,EMISSION SOLENOID ALL		<b>MN158094</b>	1	
<b>12421P</b> 0512-1-	VALVE,EMISSION SOLENOID ALL		<b>MR988075</b>	1	
<b>12421Q</b> 0512-1-	VALVE,EMISSION SOLENOID ALL		<b>MR127520</b>	1	
<b>12431</b> 0512-1-	VALVE,EMISSION VACUUM CONTROL ALL		<b>MR126976</b>	1	
<b>12433A</b> 0512-1-	HOSE & PIPE ASSY,EMISSION CONTROL ALL		<b>MR560897</b>	1	
<b>12978</b> 0512-1-	BOLT,EMISSION CONTROL EQUIP ALL		<b>MF140202</b>	1	FLANGE,6X10
<b>12978P</b> 0512-1-	BOLT,EMISSION CONTROL EQUIP ALL		<b>MF241224</b>	4	WASHER ASSEMBLED,6X14
<b>12981P</b> 0512-1-	HOSE,EMISSION CONTROL EQUIP ALL		<b>1743A045</b>	1	
<b>12988</b> 0512-1-	BOLT,EGR EQUIP ALL	O	<b>M811946</b> <b>(M811946D)</b>	CC	OR HEXAGON,8X50 EUROPE USE ONLY
0512-1-	ALL		<b>MF241263</b>	2	WASHER ASSEMBLED,8X50
<b>12994</b> 0512-1-	NUT,EMISSION SOLENOID VALVE ALL		<b>MF434103</b>	2	FLANGE,6

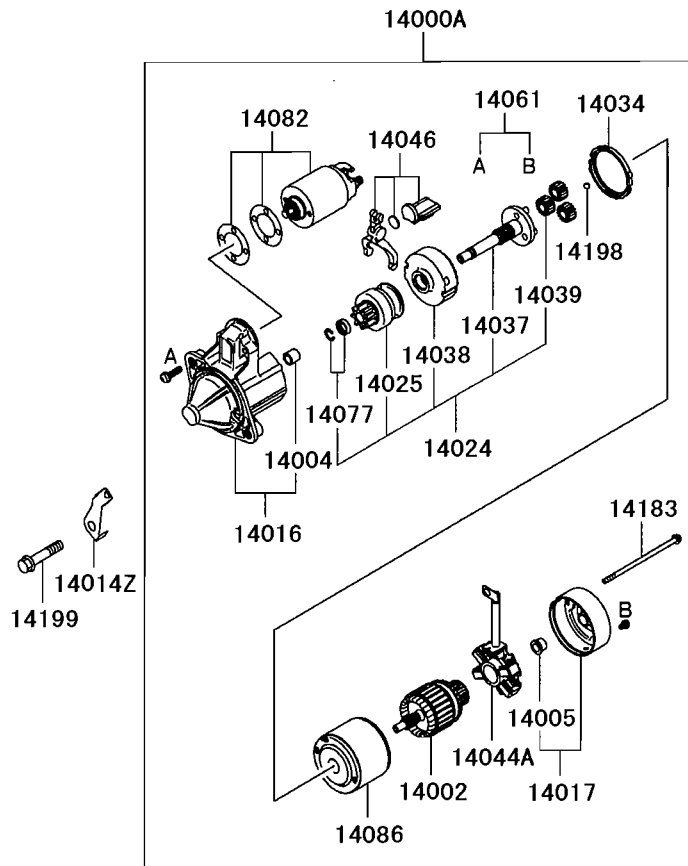
16-010 STARTER

CS6A:MR994325

CS6A:MD360368



F00092

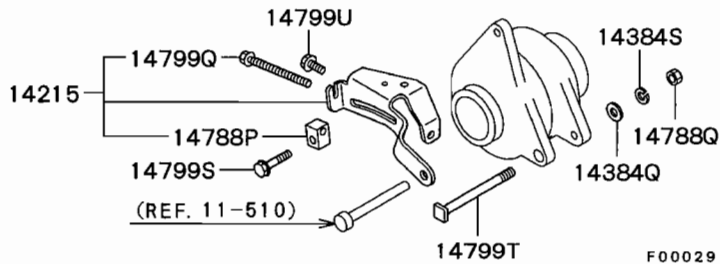
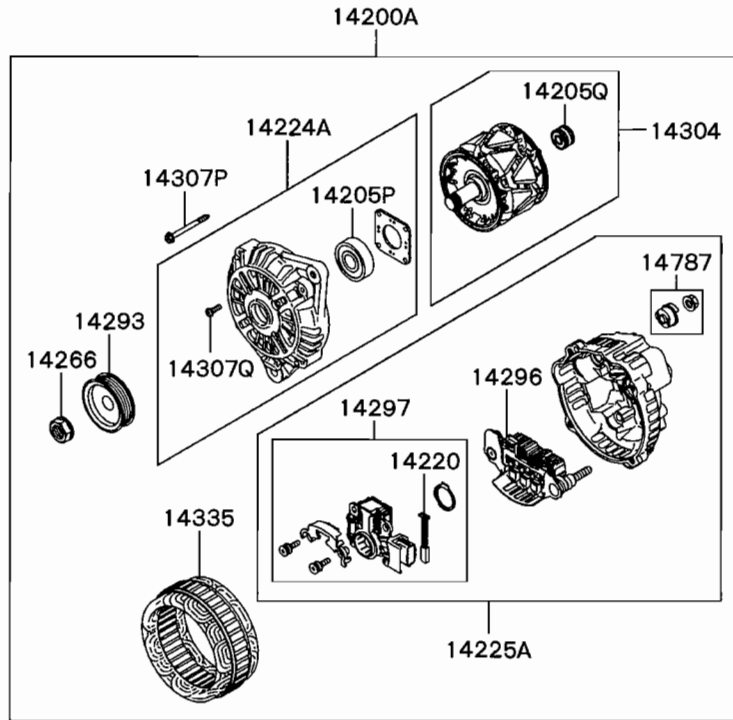


F00093

## 16 -010 STARTER

P N C		MODEL APPLICABLE		P/N	PART NO. (REPL P/NO.)	Q T Y	RE M A R K S	P N C		MODEL APPLICABLE		P/N	PART NO. (REPL P/NO.)	Q T Y	RE M A R K S
FROM-UP TO	TYPE	DESCRIPTION	DESCRIPTION					FROM-UP TO	TYPE	DESCRIPTION					
<b>14000A</b>		STARTER ASSY						<b>14077</b>		STOPPER KIT,STARTER PINION					
0512-1-	ALL			O	MD360368	CC	GR 1.2KW PRANETARY	0512-1-	ALL			MD611212	CC	OR	
					(MR994325)		REDUCTION TYPE	0512-1-	ALL			MD619866	1		
0512-1-	ALL				MR994325	1	1.2KW PRANETARY REDUCTION TYPE	<b>14082</b>		SWITCH KIT,STARTER MAGNETIC					
<b>14002</b>		ARMATURE,STARTER						0512-1-	ALL			MD619101	CC	OR	
0512-1-	ALL				MD619115	CC	OR	0512-1-	ALL			MD619975	1		
0512-1-	ALL				MD619970	1		<b>14086</b>		YOKE,STARTER					
<b>14004</b>		BEARING,STARTER ARMATURE,FR						0512-1-	ALL			MD619116	CC	OR	
0512-1-	ALL				MD607892	CC	OR	0512-1-	ALL			MD619971	1		
0512-1-	ALL				MD619872	1		<b>14183</b>		BOLT,STARTER INR					
<b>14005</b>		BEARING,STARTER ARMATURE,RR						0512-1-	ALL			MD619102	CC	OR	
0512-1-	ALL				MD618334	CC	OR	0512-1-	ALL			MD619873	2		
<b>14014Z</b>		BRACKET,STARTER HARNESS						<b>14198</b>		BALL,STARTER INR					
0512-1-	ALL				MR560965	1		0512-1-	ALL			MD611214	CC	OR	
<b>14016</b>		BRACKET,STARTER,FR						<b>14199</b>		BOLT,STARTER					
0512-1-	ALL				MD619705	CC	OR	0512-1-	ALL			MF140268	2	FLANGE,10X50	
0512-1-	ALL				MD619973	1		0512-1-	ALL			M980114	CC	OR FLANGE,10X50 EUROPE USE ONLY	
<b>14017</b>		BRACKET,STARTER,RR													
0512-1-	ALL				MD619700	CC	OR								
0512-1-	ALL				MD619967	1									
<b>14024</b>		CLUTCH KIT,STARTER PINION & REDUCTION													
0512-1-	ALL				MD619165	CC	OR								
0512-1-	ALL				MD619964	1									
<b>14025</b>		CLUTCH,STARTER OVERRUNNING													
0512-1-	ALL				MD611211	CC	OR								
0512-1-	ALL				MD619865	1									
<b>14034</b>		GASKET,STARTER INR													
0512-1-	ALL				MD618547	CC	OR								
<b>14037</b>		GEAR,STARTER REDUCTION													
0512-1-	ALL				MD619094	CC	OR								
0512-1-	ALL				MD619862	1									
<b>14038</b>		GEAR,STARTER REDUCTION INTERNAL													
0512-1-	ALL				MD619095	CC	OR								
0512-1-	ALL				MD619863	1									
<b>14039</b>		GEAR,STARTER REDUCTION PINION													
0512-1-	ALL				MD611210	CC	OR								
0512-1-	ALL				MD619864	3									
<b>14044A</b>		HOLDER ASSY,STARTER BRUSH													
0512-1-	ALL				MD619901	CC	OR								
0512-1-	ALL				MD619972	1									
<b>14046</b>		LEVER KIT,STARTER PINION SHIFT													
0512-1-	ALL				MD618546	CC	OR								
0512-1-	ALL				MD619874	1									
<b>14061</b>		SCREW SET,STARTER INR													
0512-1-	ALL				MD607887	CC	OR								

# 16 -110 ALTERNATOR & VACUUM PUMP



F00029

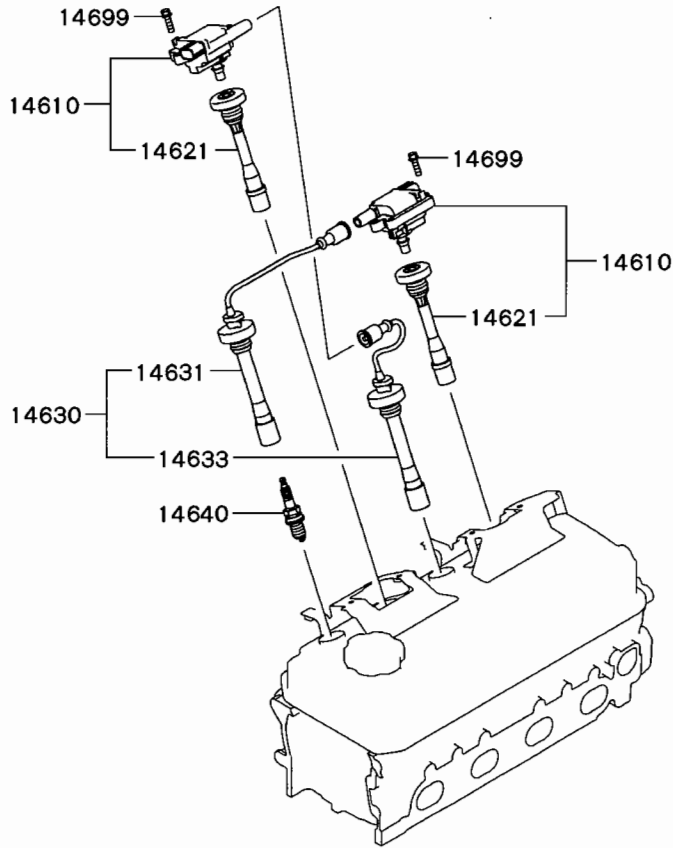
P N C	MODEL APPLICABLE		QTY	PART NO. (REPL P/NO.)	REMARKS
	FROM/UP TO	TYPE DESCRIPTION			
<b>14200A</b>	ALL	ALTERNATOR ASSY			
0512-1-	ALL	ALTERNATOR ASSY		<b>1800A002</b>	1 105A
<b>14205P</b>	ALL	BEARING,ALTERNATOR ROTOR	Y	<b>MD618679</b> <b>(1800A020)</b>	1
0512-1-	ALL	BEARING,ALTERNATOR ROTOR		<b>MD611928</b>	1
<b>14205Q</b>	ALL	BEARING,ALTERNATOR ROTOR		<b>MD611928</b>	1
0512-1-	ALL	BRACE KIT,ALTERNATOR ADJUSTING		<b>MD345409</b>	1
<b>14215</b>	ALL	BRACE KIT,ALTERNATOR ADJUSTING		<b>MD345409</b>	1
0512-1-	ALL	BRUSH,ALTERNATOR		<b>MD618689</b>	2
<b>14220</b>	ALL	BRUSH,ALTERNATOR		<b>MD618689</b>	2
0512-1-	ALL	BRACKET ASSY,ALTERNATOR,FR		<b>1800A034</b>	1
<b>14224A</b>	ALL	BRACKET ASSY,ALTERNATOR,FR		<b>1800A034</b>	1
0512-1-	ALL	BRACKET ASSY,ALTERNATOR,RR		<b>1800A037</b>	1
<b>14225A</b>	ALL	BRACKET ASSY,ALTERNATOR,RR		<b>1800A037</b>	1
0512-1-	ALL	NUT KIT,ALTERNATOR PULLEY		<b>MD618927</b>	1
<b>14266</b>	ALL	NUT KIT,ALTERNATOR PULLEY		<b>MD618927</b>	1
0512-1-	ALL	PULLEY,ALTERNATOR		<b>MD618884</b>	1
<b>14293</b>	ALL	PULLEY,ALTERNATOR		<b>MD618884</b>	1
0512-1-	ALL	RECTIFIER,ALTERNATOR		<b>1800A038</b>	1
<b>14296</b>	ALL	RECTIFIER,ALTERNATOR		<b>1800A038</b>	1
0512-1-	ALL	REGULATOR,ALTERNATOR		<b>MD619997</b>	1
<b>14297</b>	ALL	REGULATOR,ALTERNATOR		<b>MD619997</b>	1
0512-1-	ALL	ROTOR KIT,ALTERNATOR		<b>1800A035</b>	1
<b>14304</b>	ALL	ROTOR KIT,ALTERNATOR		<b>1800A035</b>	1
0512-1-	ALL	SCREW SET,ALTERNATOR INR		<b>MD611556</b>	1
<b>14307P</b>	ALL	SCREW SET,ALTERNATOR INR		<b>MD611556</b>	1
0512-1-	ALL	SCREW SET,ALTERNATOR INR		<b>MD611558</b>	1
<b>14307Q</b>	ALL	SCREW SET,ALTERNATOR INR		<b>MD611558</b>	1
0512-1-	ALL	STATOR,ALTERNATOR		<b>1800A036</b>	1
<b>14335</b>	ALL	STATOR,ALTERNATOR		<b>1800A036</b>	1
0512-1-	ALL	WASHER,ALTERNATOR		<b>MF450006</b>	1 PLAIN,10
<b>14384Q</b>	ALL	WASHER,ALTERNATOR		<b>M819620</b>	CC OR PLAIN,10 EUROPE USE ONLY
0512-1-	ALL	WASHER,ALTERNATOR		<b>MF450406</b>	1 SPRING,10
<b>14384S</b>	ALL	WASHER,ALTERNATOR		<b>M906993</b>	CC OR SPRING,10 EUROPE USE ONLY
0512-1-	ALL	WASHER,ALTERNATOR		<b>MD619923</b>	1
<b>14787</b>	ALL	NUT,ALTERNATOR INR		<b>MD619923</b>	1
0512-1-	ALL	NUT,ALTERNATOR		<b>MD320269</b>	1 ADJUST.8
<b>14788P</b>	ALL	NUT,ALTERNATOR		<b>MD320269</b>	1
0512-1-	ALL	NUT,ALTERNATOR		<b>M811954</b>	CC OR WASHER ASSEMBLED,10
<b>14788Q</b>	ALL	NUT,ALTERNATOR		<b>(M811954D)</b>	EUROPE USE ONLY
0512-1-	ALL	NUT,ALTERNATOR	O		

## 16 -110 ALTERNATOR & VACUUM PUMP

P N C	MODEL APPLICABLE		PART NO.	Q	REMARKS
FROM-UP TO	TYPE	DESCRIPTION	(REPL P/NO.)	TY	
<b>14788Q</b> 0512-1-		NUT,ALTERNATOR			
	ALL		<b>MF430006</b>	1 10	
<b>14799Q</b> 0512-1-		BOLT,ALTERNATOR			
	ALL		<b>MD118506</b>	1	FLANGE,8X90
<b>14799S</b> 0512-1-		BOLT,ALTERNATOR			
	ALL		<b>MF140233</b>	1	FLANGE,8X40
0512-1-	ALL		<b>M947760</b>	CC	OR FLANGE,8X40 EUROPE USE
			<b>(M947760D)</b>		ONLY
<b>14799T</b> 0512-1-		BOLT,ALTERNATOR			
	ALL		<b>MD335229</b>	1	10X111
<b>14799U</b> 0512-1-		BOLT,ALTERNATOR			
	ALL		<b>MF140225</b>	1	FLANGE,8X20
0512-1-	ALL		<b>M946173</b>	CC	OR 8X20 EUROPE USE ONLY



# 16-220 SPARK PLUG, CABLE & COIL

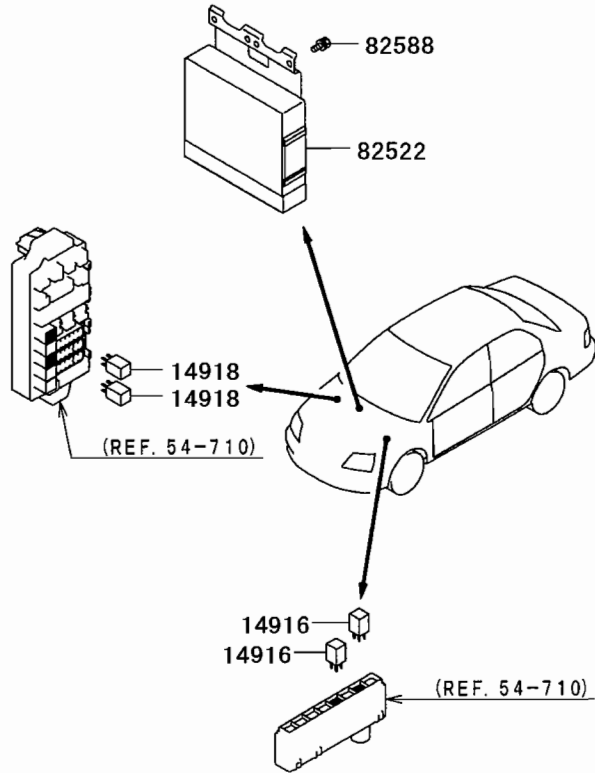


F00032

P N C	MODEL APPLICABLE		P	PART NO. (REPL P/NO.)	Q Y	RE MARKS
	FROM-UP TO	TYPE				
<b>14610</b>						
0512-1-	ALL			<b>MD362907</b>	2	
<b>14621</b>						
0512-1-	ALL			<b>MN158977</b>	2	
<b>14630</b>						
0512-1-	ALL			<b>MD334043</b>	1	
<b>14631</b>						
0512-1-	ALL			<b>MD329301</b>	1	
<b>14633</b>						
0512-1-	ALL			<b>MD329302</b>	1	
<b>14640</b>						
0512-1-	ALL			<b>MS851357</b>	4	BKR5E-11
0512-1-	ALL			<b>MS851727</b>	CC	OR K16PR-U11
0512-1-	ALL			<b>MD350292</b>	CC	OR RC10YC4 USA USE ONLY
<b>14699</b>						
0512-1-	ALL			<b>MF140207</b>	4	FLANGE.6X20
0512-1-	ALL			<b>M946934</b>	CC	OR FLANGE.6X20 EUROPE USE ONLY
0512-1-	ALL			<b>(M946934D)</b>		ONLY

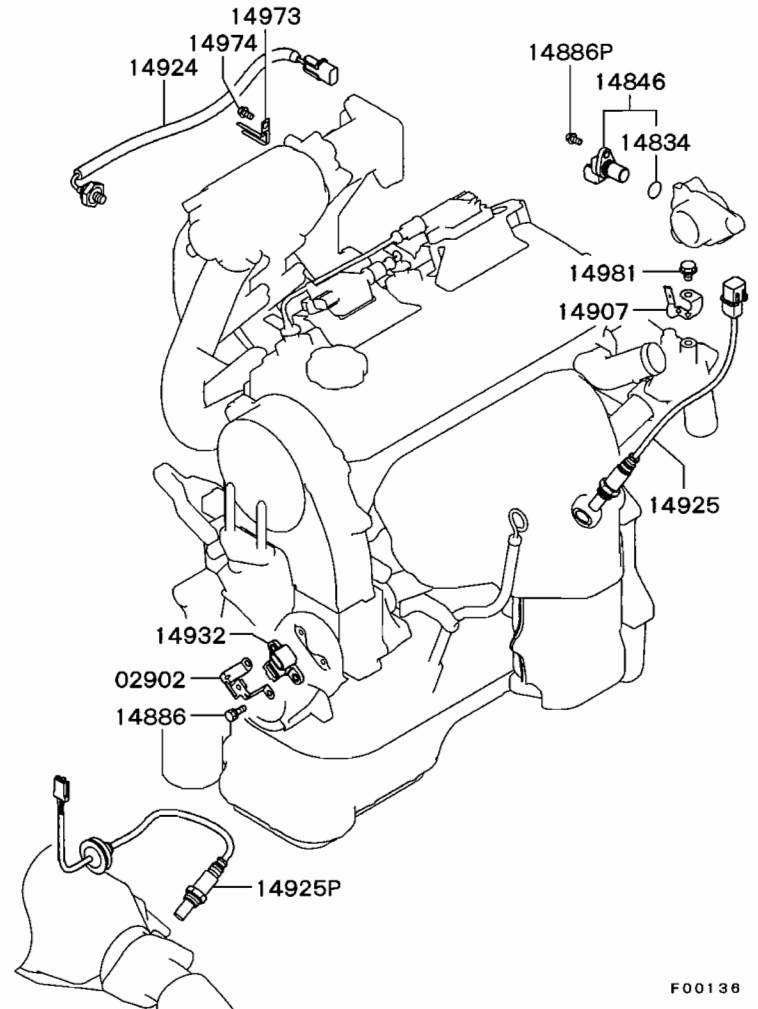
# 16-410 ELECTRICAL CONTROL

CS6A:ALL (CONTROL UNIT ETC.)



F00440

CS6A:ALL (CRANK ANGLE SENSOR ETC.)

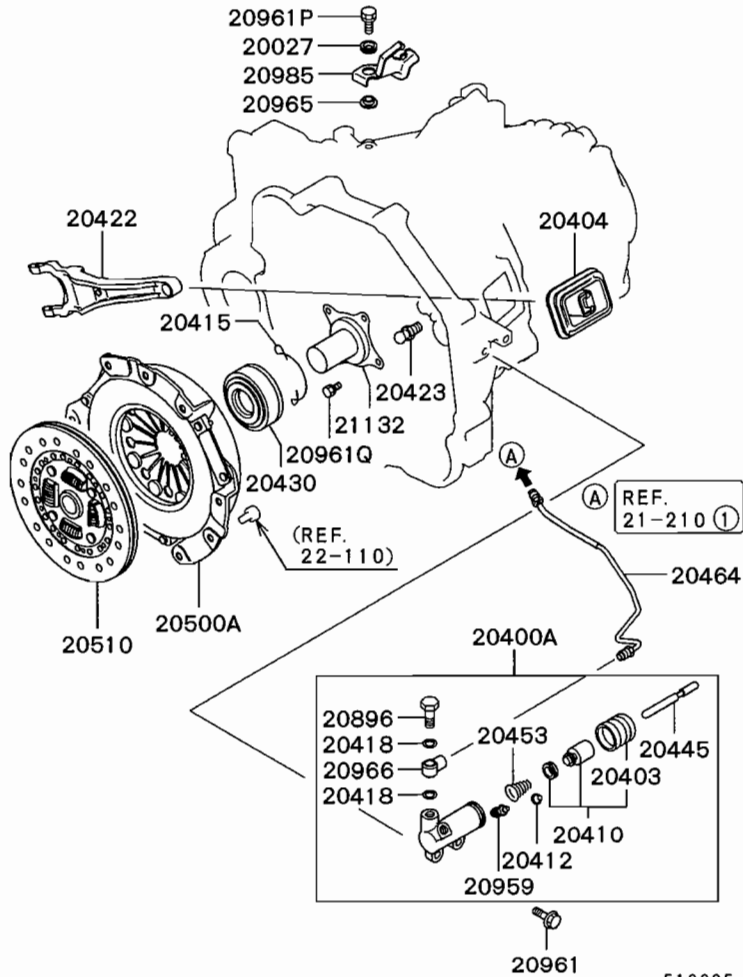


F00138

16 -410 ELECTRICAL CONTROL

PNC	MODEL APPLICABLE	PR	PART NO.	Q	REMARKS
FROM-UP TO	TYPE DESCRIPTION	PR	(REPL P/NO.)	T	
<b>02902</b> 0512-1-	BRACKET,TIMING BELT COVER ALL		<b>MR578671</b>	1	
<b>14834</b> 0512-1-	O-RING,CAMSHAFT POSITION SENSOR ALL		<b>MD623055</b>	1	
<b>14846</b> 0512-1-	SENSOR,CAMSHAFT POSITION ALL		<b>MD348074</b>	1	
<b>14886</b> 0512-1-	BOLT,CRANK ANGLE SENSOR ALL		<b>MF241225</b>	2	WASHER ASSEMBLED,6X16
<b>14886P</b> 0512-1-	BOLT,CRANK ANGLE SENSOR ALL		<b>MF140205</b>	1	FLANGE,6X16
<b>14907</b> 0512-1-	BRACKET,OXYGEN SENSOR CONNECTOR ALL		<b>MR578618</b>	1	
<b>14916</b> 0512-1-	RELAY,ENG CONTROL ALL		<b>MR538851</b>	2	
<b>14918</b> 0512-1-	RELAY,FUEL PUMP ALL		<b>MR538851</b>	2	
<b>14924</b> 0512-1-	SENSOR,ENG CONTROL KNOCK ALL		<b>MD198158</b>	1	
<b>14925</b> 0512-1-	SENSOR,ENG CONTROL OXYGEN ALL		<b>MR578634</b>	1	
<b>14925P</b> 0512-1-0603-3	SENSOR,ENG CONTROL OXYGEN ALL		<b>MN158773</b>	1	
<b>14932</b> 0604-1-	SENSOR,ENG CRANK ANGLE ALL		<b>1588A126</b>	1	
<b>14932</b> 0512-1-	SENSOR,ENG CRANK ANGLE ALL		<b>MR560132</b>	1	
<b>14973</b> 0512-1-	CLIP,KNOCK SENSOR ALL		<b>MB113038</b>	1	6.6-40/55
<b>14974</b> 0512-1-	BOLT,KNOCK SENSOR ALL		<b>MF140203</b>	1	FLANGE,6X12
<b>14974</b> 0512-1-	BOLT,KNOCK SENSOR ALL	○	<b>M965175</b> <b>(M965175D)</b>	CC	OR FLANGE,6X12 EUROPE USE ONLY
<b>14981</b> 0512-1-	BOLT,OXYGEN SENSOR ALL		<b>MF140021</b>	1	FLANGE,8X12
<b>82522</b> 0512-1-0804-3	CONTROL UNIT,ENG ALL		<b>1860A529</b>	1	
<b>82588</b> 0805-1-	BOLT,ENG CONTROL UNIT ALL		<b>1860B062</b>	1	
<b>82588</b> 0512-1-	BOLT,ENG CONTROL UNIT ALL		<b>MF245422</b>	3	WASHER ASSEMBLED,6X12

## 21-010 CLUTCH & CLUTCH RELEASE

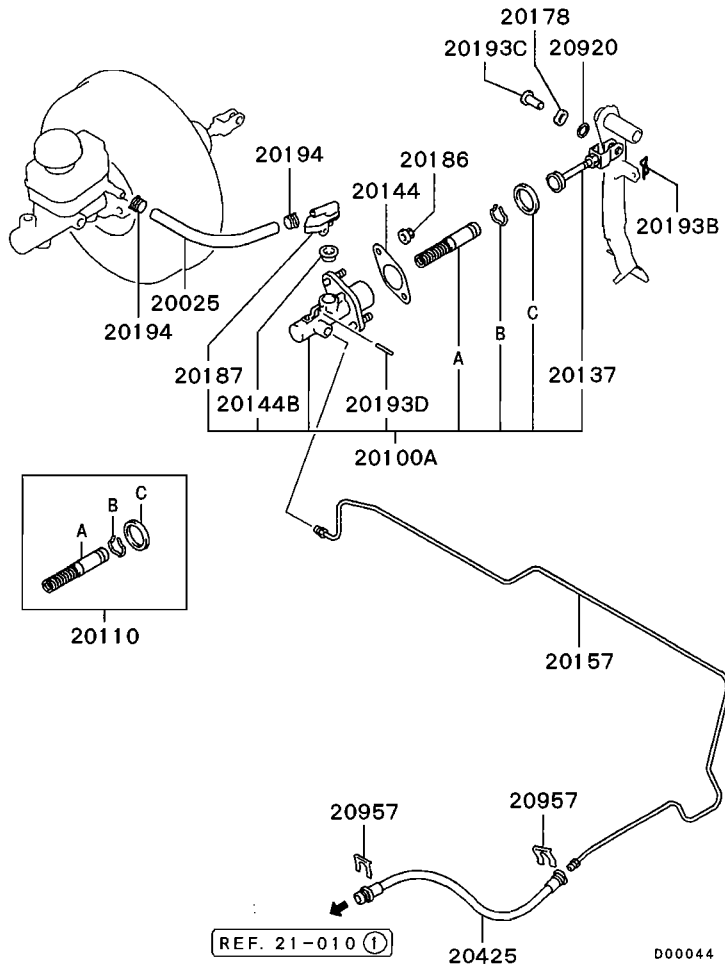


P N C	MODEL APPLICABLE		QTY	PART NO. (REPL P/NO.)	REMARKS
	FROM/UP TO	TYPE DESCRIPTION			
<b>20027</b>	0512-1-	INSULATOR,CLUTCH FLUID TUBE BRACKET			
	ALL			<b>MD724003</b>	1
<b>20400A</b>	0512-1-	CYLINDER ASSY,CLUTCH RELEASE			
	ALL			<b>MR980563</b>	1
<b>20403</b>	0512-1-	BOOT,CLUTCH RELEASE CYLINDER			
	ALL			<b>MD621006</b>	1
<b>20404</b>	0512-1-	BOOT,CLUTCH RELEASE FORK			
	ALL			<b>MD747413</b>	1
<b>20410</b>	0512-1-	CYLINDER KIT,CLUTCH RELEASE			
	ALL			<b>MD978907</b>	1
<b>20412</b>	0512-1-	CAP,CLUTCH RELEASE CYLINDER BLEEDER SCREW			
	ALL			<b>MD701140</b>	1
<b>20415</b>	0512-1-	CLIP,CLUTCH RELEASE BEARING RETURN			
	ALL			<b>MD706185</b>	1
<b>20418</b>	0512-1-0601-3	GASKET,CLUTCH RELEASE CYLINDER			
	ALL		Y	<b>MD603695</b> <b>(2324A056)</b>	2
	0602-1-	ALL		<b>2324A056</b>	4
<b>20422</b>	0512-1-	FORK,CLUTCH RELEASE			
	ALL			<b>MD747524</b>	1
<b>20423</b>	0512-1-	FULCRUM,CLUTCH RELEASE FORK			
	ALL			<b>MD719602</b>	1
<b>20430</b>	0512-1-	BEARING,CLUTCH RELEASE			
	ALL			<b>MD749998</b>	CC
	0512-1-	ALL		<b>MD722744</b>	1
<b>20445</b>	0512-1-	PUSH ROD,CLUTCH RELEASE CYLINDER			
	ALL			<b>MD621009</b>	1
<b>20453</b>	0512-1-	SPRING,CLUTCH RELEASE CYLINDER PISTON RETURN			
	ALL			<b>MD621008</b>	1
<b>20464</b>	0512-1-0703-3	TUBE,CLUTCH RELEASE CYLINDER			
	ALL			<b>MD748038</b>	1
	0704-1-	ALL		<b>MD749397</b>	1
<b>20500A</b>	0512-1-	COVER ASSY,CLUTCH			
	ALL			<b>2304A003</b>	1
<b>20510</b>	0512-1-	DISC,CLUTCH			
	ALL			<b>MR953582</b>	1 215
<b>20896</b>	0512-1-0601-3	EYEBOLT,M/T CLUTCH CONTROL EQUIP			
	ALL		Y	<b>MD621015</b> <b>(MR453155)</b>	1
	0602-1-0610-3	ALL	Y	<b>MR453155</b> <b>(MR232418)</b>	2
	0611-1-	ALL		<b>MR232418</b>	2
<b>20959</b>	0512-1-	PLUG,M/T CLUTCH CONTROL EQUIP			
	ALL			<b>MD704268</b>	1
<b>20961</b>	0512-1-	BOLT,M/T CLUTCH CONTROL EQUIP			
	ALL			<b>MF241255</b>	2
					WASHER ASSEMBLED.8X25

## 21 -010 CLUTCH & CLUTCH RELEASE

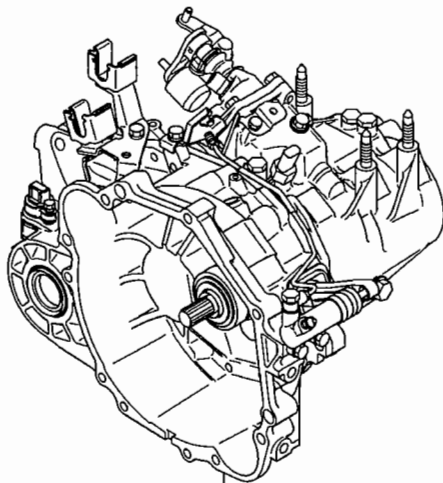
P N C	MODEL APPLICABLE	PART NO.	Q	REMARKS
FROM-UP TO	TYPE DESCRIPTION	(REPL P/NO.)	TY	
<b>20961P</b> 0512-1-	BOLT,M/T CLUTCH CONTROL EQUIP ALL	<b>MF244852</b>	1	WASHER ASSEMBLED,8X22
<b>20961Q</b> 0512-1-	BOLT,M/T CLUTCH CONTROL EQUIP ALL	<b>MF140203</b>	4	FLANGE,6X12
<b>20965</b> 0512-1-	WASHER,M/T CLUTCH CONTROL EQUIP ALL	<b>MD724004</b>	1	8.4
<b>20966</b> 0512-1-0610-3	UNION,M/T CLUTCH CONTROL EQUIP ALL	<b>MD621013</b> (2324A057)	1	
0611-1-	ALL	<b>2324A057</b>	2	
<b>20985</b> 0512-1-	BRACKET,M/T CLUTCH CONTROL EQUIP ALL	<b>MD748037</b>	1	
<b>21132</b> 0512-1-	RETAINER,M/T CASE FR BEARING ALL	<b>MD747279</b>	1	

## 21-210 CLUTCH CONTROL



P N C	MODEL APPLICABLE		QTY	PART NO. (REPL. P/NO.)	REMARKS
	FROM-UP TO	TYPE			
<b>20025</b> 0512-1-					
ALL				<b>MB851043</b>	1 9X185
<b>20100A</b> 0512-1-			R	<b>MR519378</b>	1 S04006
ALL					
<b>20110</b> 0512-1-			R	<b>MR403052</b>	1 S04006
ALL					
<b>20137</b> 0512-1-				<b>MB891411</b>	1
ALL					
<b>20144</b> 0512-1-				<b>MB555016</b>	1
ALL					
<b>20144B</b> 0512-1-				<b>MR244929</b>	1
ALL					
<b>20157</b> 0512-1-				<b>MR491913</b>	1
ALL					
<b>20178</b> 0512-1-0704-3				<b>MF451105</b>	1 WAVE,10
ALL					
<b>20186</b> 0512-1-				<b>MS440503</b>	2 WASHER ASSEMBLED,8
ALL					
<b>20187</b> 0512-1-				<b>MR448318</b>	1
ALL					
<b>20193B</b> 0512-1-				<b>MB858800</b>	1 SNAP,10
ALL					
<b>20193C</b> 0512-1-				<b>MF473492</b>	1 CLEVIS,10X23
ALL					
<b>20193D</b> 0512-1-				<b>MR244930</b>	1
ALL					
<b>20194</b> 0512-1-				<b>MB058362</b>	2 13.2
ALL					
<b>20425</b> 0512-1-				<b>MR554734</b>	1
ALL					
<b>20920</b> 0512-1-0704-3				<b>MF520005</b>	1 D=10
ALL					
<b>20957</b> 0512-1-				<b>MA431825</b>	2 13
ALL					

22 -010 MANUAL TRANSMISSION ASSY



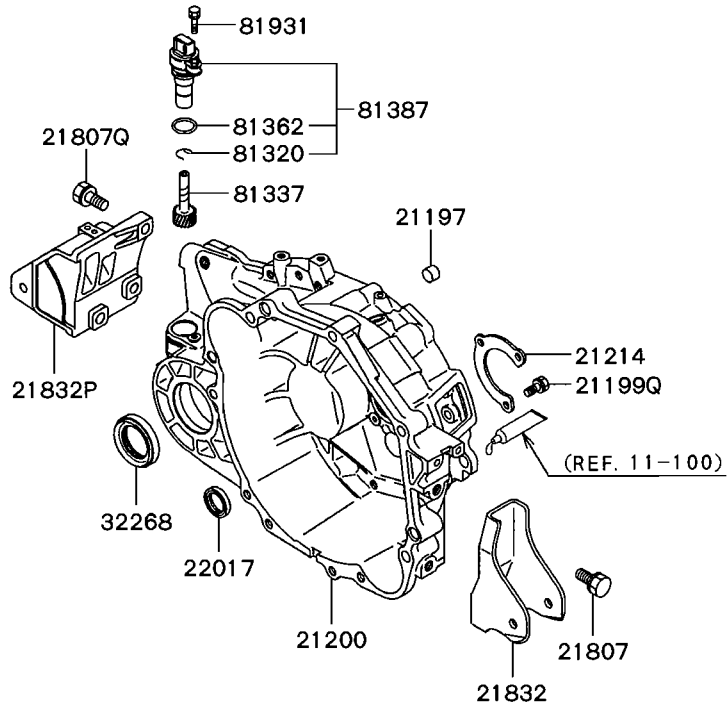
21020A

510007

P N C	MODEL APPLICABLE		PART NO. (REPL P/NO.)	Q T Y	RE M A R K S
	FROM-UP TO	TYPE			
<b>21020A</b> 0512-1-			<b>2500A044</b>	1	FSM42-1-F786

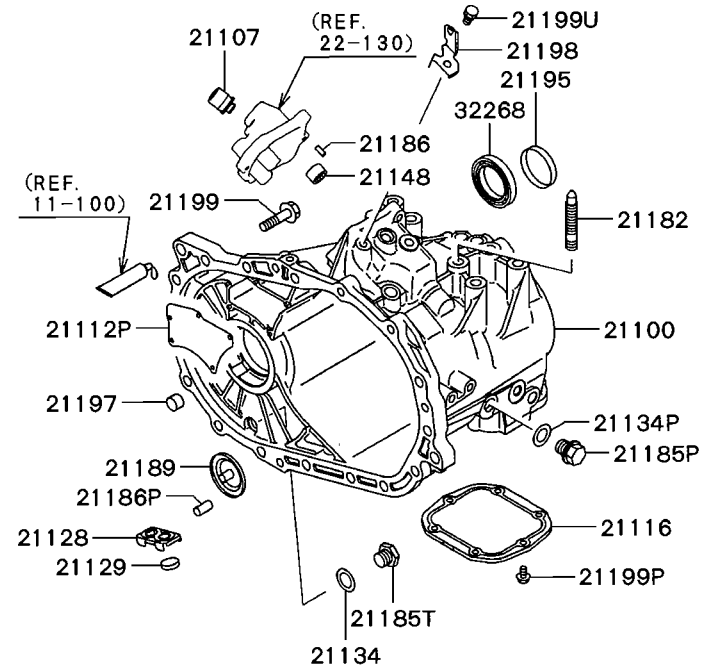
22 -110 M/T CASE

CS6A:ALL (CLUTCH HOUSING)



F00034

CS6A:ALL (T/M CASE)

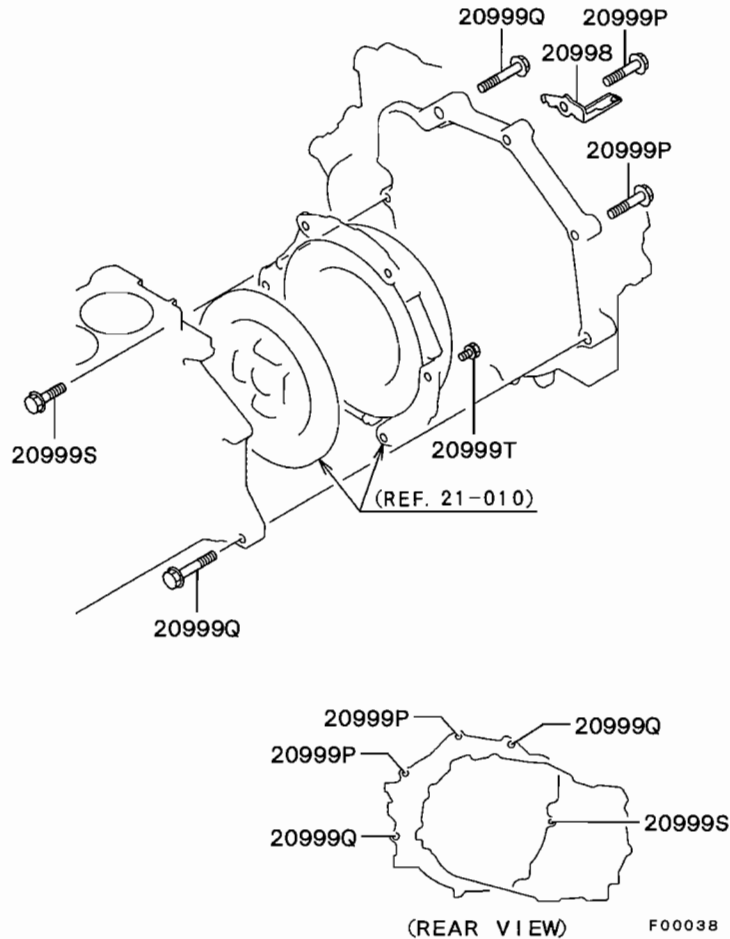


510053



22-110 M/T CASE

CS6A:ALL (CONNECTING PARTS)



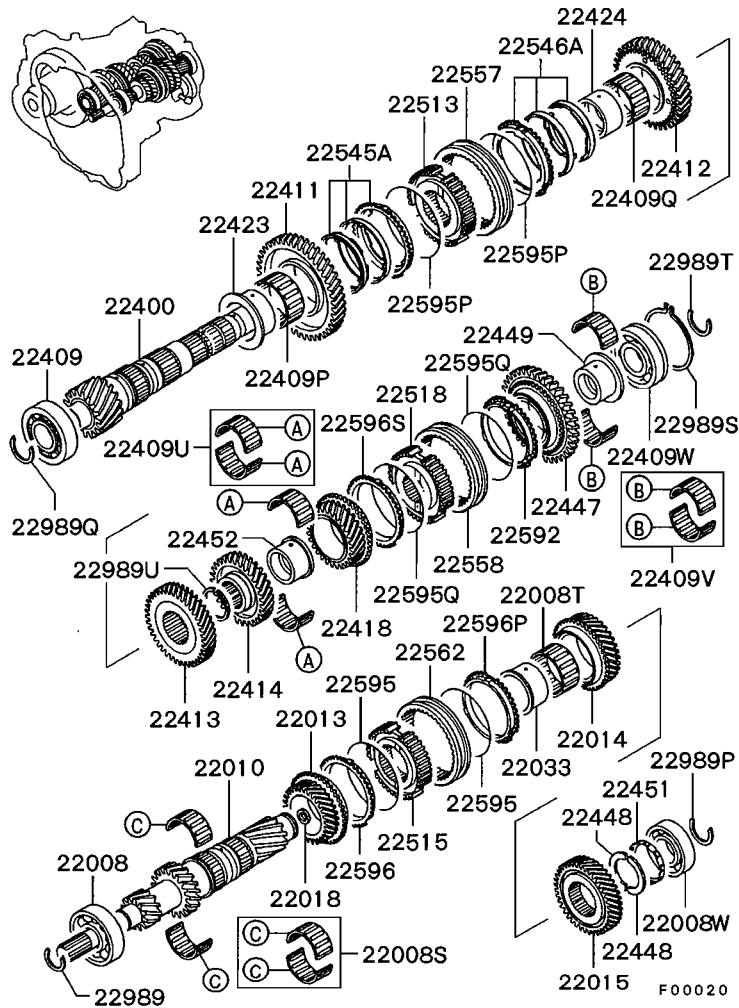
P N C	MODEL APPLICABLE		PART NO. (REPL. P/NO.)	Q Y	REMARKS
	FROM/UP TO	TYPE DESCRIPTION			
<b>20998</b>	0512-1- ALL	BRACKET,T/M CONNECTING	<b>MR553181</b>	1	
<b>20999P</b>	0512-1-0804-3 0512-1-	BOLT,T/M CONNECTING ALL	<b>MF140268</b> <b>M980114</b>	2	FLANGE,10X50 OR FLANGE,10X50 EUROPE USE ONLY
	0805-1-	ALL	<b>MF911668</b>	2	FLANGE,10X50
<b>20999Q</b>	0512-1- 0512-1-	BOLT,T/M CONNECTING ALL	<b>MF140270</b> <b>M980116</b> (M980116D)	2	FLANGE,10X60 OR FLANGE,10X60 EUROPE USE ONLY
<b>20999S</b>	0512-1-	BOLT,T/M CONNECTING ALL	<b>M980113</b> (M980113D) <b>MF140266</b>	1	OR FLANGE,10X1.25X40 EUROPE USE ONLY FLANGE,10X40
<b>20999T</b>	0512-1- 0512-1-	BOLT,T/M CONNECTING ALL	<b>MF241251</b>	6	WASHER ASSEMBLED,8X16
<b>21100</b>	0512-1-	CASE,M/T	<b>MD747001</b>	1	
<b>21107</b>	0512-1-	BREATHER,M/T CASE ALL	<b>MD733296</b>	1	
<b>21112P</b>	0512-1-	COVER,M/T CASE BREATHER HOLE ALL	<b>MD746156</b>	1	
<b>21116</b>	0512-1-	COVER,M/T CASE UNDER ALL	<b>MD747923</b>	1	
<b>21128</b>	0512-1-	HOLDER,M/T CASE MAGNET ALL	<b>MD748126</b>	1	
<b>21129</b>	0512-1-	MAGNET,M/T CASE ALL	<b>MD955485</b>	2	
<b>21134</b>	0512-1-	GASKET,M/T CASE PLUG ALL	<b>MD000312</b>	1	D=18.2
<b>21134P</b>	0512-1-	GASKET,M/T CASE PLUG ALL	<b>MF660036</b>	1	D=16
<b>21148</b>	0512-1-0801-2	BEARING,M/T CASE ALL	<b>MD712913</b> (MD747209) <b>MD747209</b>	1	OR
	0512-1-0801-2	ALL	<b>MD751929</b>	4	12X29.5
<b>21182</b>	0512-1-	STUD,M/T CASE ALL	<b>MD701850</b>	1	16
<b>21185P</b>	0512-1-	PLUG,M/T CASE ALL	<b>MD728088</b>	1	18
<b>21185T</b>	0512-1-	PLUG,M/T CASE ALL	<b>MF472402</b>	2	DOWEL,5X12
<b>21186</b>	0512-1-	PIN,M/T CASE ALL			

22 -110 M/T CASE

P N C	MODEL APPLICABLE	P R T N O.	Q T Y	REMARKS
FROM/UP TO	TYPE DESCRIPTION			
<b>21186P</b> 0512-1-	PIN,M/T CASE ALL	<b>MF472405</b>	3	DOWEL,10X20
<b>21189</b> 0512-1-	OIL GUIDE,M/T CASE ALL	<b>MD748139</b>	1	
<b>21195</b> 0512-1-	CAP,M/T CASE SEAL ALL	<b>MD746157</b>	1	
<b>21197</b> 0512-1-	BUSHING,M/T CASE ALL	<b>MD746159</b>	2	
<b>21198</b> 0512-1-	BRACKET,M/T CASE ALL	<b>MN168453</b>	1	
<b>21199</b> 0512-1-	BOLT,M/T CASE ALL	<b>MF140266</b>	16	FLANGE,10X40
<b>21199P</b> 0512-1-	BOLT,M/T CASE ALL	<b>MD097012</b>	6	FLANGE,6X10
<b>21199Q</b> 0512-1-	BOLT,M/T CASE ALL	<b>MF241252</b>	3	WASHER ASSEMBLED,8X18
<b>21199U</b> 0512-1-	BOLT,M/T CASE ALL	<b>MF241250</b>	1	WASHER ASSEMBLED,8X14
<b>21200</b> 0512-1-	HOUSING,CLUTCH ALL	<b>2315A012</b>	1	
<b>21214</b> 0512-1-	RETAINER,CLUTCH HOUSING FR BEARING ALL	<b>MD747282</b>	1	
<b>21807</b> 0512-1-	BOLT,T/M MOUNTING ALL	<b>MF241308</b>	2	WASHER ASSEMBLED,12X28
<b>21807Q</b> 0512-1-	BOLT,T/M MOUNTING ALL	<b>MF241313</b>	3	WASHER ASSEMBLED,12X40
<b>21832</b> 0512-1-	BRACKET,T/M CASE ROLL STOPPER ALL	<b>MD759723</b>	1	
<b>21832P</b> 0512-1-	BRACKET,T/M CASE ROLL STOPPER ALL	<b>MR567560</b>	1	
<b>22017</b> 0512-1-	OIL SEAL,M/T INPUT SHAFT ALL	<b>MD741818</b>	1	
<b>32268</b> 0512-1-	OIL SEAL,T/M FR DIFF CASE ALL	<b>MD755526</b>	CC	OR NDK
<b>81320</b> 0512-1-	E-RING,SPEEDOMETER DRIVEN GEAR ALL	<b>MD755904</b>	2	NOK
<b>81337</b> 0512-1-	GEAR,SPEEDOMETER DRIVEN ALL	<b>MD622012</b>	1	
<b>81362</b> 0512-1-	O-RING,SPEEDOMETER DRIVEN GEAR SLEEVE ALL	<b>MD757532</b>	1	N=30,NYLON
<b>81387</b> 0512-1-	SLEEVE,SPEEDOMETER DRIVEN GEAR ALL	<b>MD622013</b>	1	
<b>81931</b> 0512-1-	BOLT,SPEEDOMETER GEAR ALL	<b>MD757541</b>	1	WITH SENSOR
<b>81931</b> 0512-1-	BOLT,SPEEDOMETER GEAR ALL	<b>MF240029</b>	1	WASHER ASSEMBLED,6X25

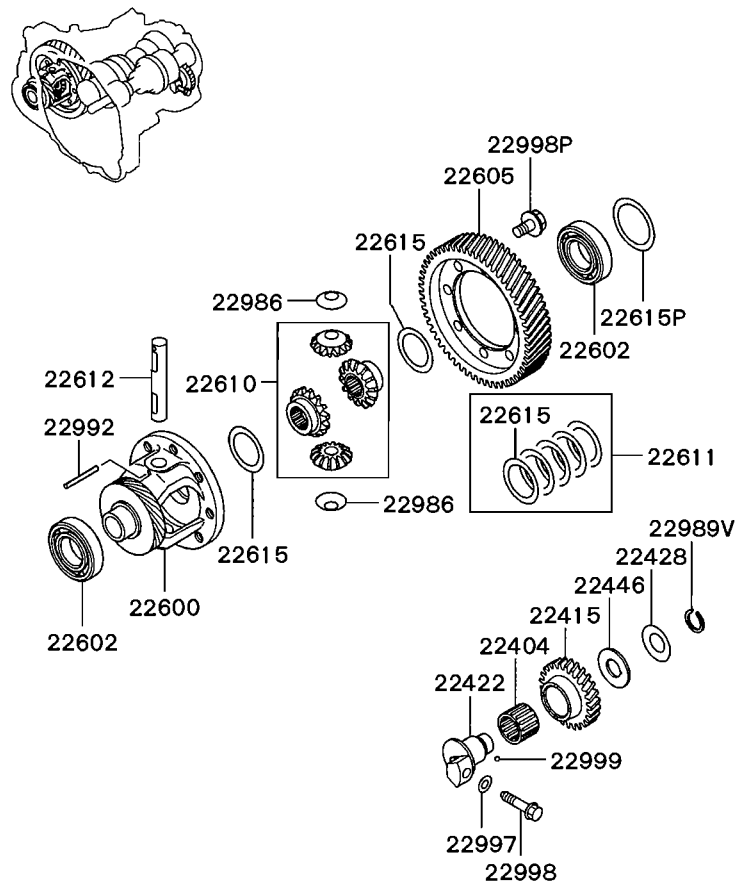
# 22-120 M/T GEAR

CS6A:ALL (IN/SHAFT,O/SHAFT)



F00020

CS6A:ALL (DIFF CASE)



510018

22 -120 M/T GEAR

P/N C	MODEL APPLICABLE	Q	REMARKS	P/N C	MODEL APPLICABLE	Q	REMARKS
FROM/UP TO	TYPE DESCRIPTION	(REPL P/NO.)		FROM/UP TO	TYPE DESCRIPTION	(REPL P/NO.)	
<b>22008</b> 0512-1-	BEARING,M/T INPUT SHAFT ALL	<b>2526A001</b>	1 BALL,68	<b>22415</b> 0512-1-	GEAR,M/T REV IDLER ALL	<b>MN168037</b>	1 N=25
<b>22008S</b> 0512-1-	BEARING,M/T INPUT SHAFT ALL	<b>MD744538</b>	1 NEEDLE,49	<b>22418</b> 0512-1-	GEAR,M/T OUTPUT SHAFT 5TH SPEED ALL	<b>MD748247</b>	1 N=33
<b>22008T</b> 0512-1-	BEARING,M/T INPUT SHAFT ALL	<b>MD744537</b>	1 NEEDLE,54	<b>22422</b> 0512-1-	SHAFT,M/T REV IDLER GEAR ALL	<b>MR553820</b>	1
<b>22008W</b> 0512-1-	BEARING,M/T INPUT SHAFT ALL	<b>MD717670</b>	1 BALL,62	<b>22423</b> 0512-1-	SLEEVE,M/T OUTPUT SHAFT 1ST SPEED GEAR ALL	<b>MR980942</b>	1
<b>22010</b> 0512-1-	SHAFT,M/T INPUT ALL	<b>MR553817</b>	1 N=12	<b>22424</b> 0512-1-	SLEEVE,M/T OUTPUT SHAFT 2ND SPEED GEAR ALL	<b>MD747318</b>	1
<b>22013</b> 0512-1-	GEAR,M/T INPUT SHAFT 3RD SPEED ALL	<b>2528A026</b>	1 N=29	<b>22428</b> 0512-1-	SPRING,M/T REV IDLER GEAR ALL	<b>MD770095</b>	1
<b>22014</b> 0512-1-	GEAR,M/T INPUT SHAFT 4TH SPEED ALL	<b>2528A028</b>	1 N=33	<b>22446</b> 0512-1-	THRUST WASHER,M/T REV IDLER GEAR ALL	<b>MD770094</b>	1 3.1
<b>22015</b> 0512-1-	GEAR,M/T INPUT SHAFT 5TH SPEED ALL	<b>MR534545</b>	1 N=43	<b>22447</b> 0512-1-	GEAR,M/T OUTPUT SHAFT REV ALL	<b>MR486153</b>	1
<b>22018</b> 0512-1-	OIL SEAL,M/T INPUT SHAFT RR END ALL	<b>MD746516</b>	1	<b>22448</b> 0512-1-	PLATE,M/T INPUT SHAFT ALL	<b>MD748015</b>	2 2.82
<b>22033</b> 0512-1-	SLEEVE,M/T INPUT SHAFT 4TH GEAR BEARING ALL	<b>MR477080</b>	1	0512-1-	ALL	<b>MD748016</b>	CC OR 2.86
<b>22400</b> 0512-1-	SHAFT,M/T OUTPUT ALL	<b>MR446284</b>	1 N=18	0512-1-	ALL	<b>MD748017</b>	CC OR 2.90
<b>22404</b> 0512-1-	BEARING,M/T REV IDLER GEAR ALL	<b>MD747636</b>	1 NEEDLE,37	0512-1-	ALL	<b>MD748018</b>	CC OR 2.94
<b>22409</b> 0512-1-	BEARING,M/T OUTPUT SHAFT ALL	<b>MD747707</b>	1 ROLLER,70	0512-1-	ALL	<b>MD748019</b>	CC OR 2.98
<b>22409P</b> 0512-1-	BEARING,M/T OUTPUT SHAFT ALL	<b>MD744536</b>	1 NEEDLE,58	0512-1-	ALL	<b>MD748020</b>	CC OR 3.02
<b>22409Q</b> 0512-1-	BEARING,M/T OUTPUT SHAFT ALL	<b>MD744537</b>	1 NEEDLE,54	0512-1-	ALL	<b>MD748021</b>	CC OR 3.06
<b>22409U</b> 0512-1-	BEARING,M/T OUTPUT SHAFT ALL	<b>MD744538</b>	1 NEEDLE,49	0512-1-	ALL	<b>MD748022</b>	CC OR 3.10
<b>22409V</b> 0512-1-	BEARING,M/T OUTPUT SHAFT ALL	<b>MD744538</b>	1 NEEDLE,49	<b>22449</b> 0512-1-	SLEEVE,M/T OUTPUT SHAFT REV GEAR ALL	<b>MD747124</b>	1
<b>22409W</b> 0512-1-	BEARING,M/T OUTPUT SHAFT ALL	<b>MD747740</b>	1 BALL,72	<b>22451</b> 0512-1-	STOPPER,M/T INPUT SHAFT ALL	<b>MD748128</b>	1
<b>22411</b> 0512-1-0711-3	GEAR,M/T OUTPUT SHAFT 1ST SPEED ALL	<b>MN168358</b>	1 N=43	<b>22452</b> 0512-1-	SLEEVE,M/T OUTPUT SHAFT 5TH GEAR BEARING ALL	<b>MD749896</b>	1
<b>22412</b> 0512-1-	GEAR,M/T OUTPUT SHAFT 2ND SPEED ALL	<b>MN168179</b>	1 N=43	0512-1-	ALL	<b>MN132495</b>	1
<b>22413</b> 0512-1-	GEAR,M/T OUTPUT SHAFT 3RD SPEED ALL	<b>2528A025</b>	1 N=37	<b>22513</b> 0512-1-	HUB,M/T 1ST & 2ND SYNCH ALL	<b>MD747004</b>	1
<b>22414</b> 0512-1-	GEAR,M/T OUTPUT SHAFT 4TH SPEED ALL	<b>MD747118</b>	1 N=40	<b>22515</b> 0512-1-	HUB,M/T 3RD & 4TH SYNCH ALL	<b>MD747005</b>	1
<b>22414</b> 0512-1-	GEAR,M/T OUTPUT SHAFT 4TH SPEED ALL	<b>MD747119</b>	1 N=34	<b>22518</b> 0512-1-	HUB,M/T 5TH & REV SYNCH ALL	<b>MD747005</b>	1
				<b>22545A</b> 0512-1-	RING ASSY,M/T 1ST SPEED GEAR SYNCH ALL	<b>2551A011</b>	1
				<b>22546A</b> 0512-1-	RING ASSY,M/T 2ND SPEED GEAR SYNCH ALL	<b>2551A011</b>	1
				<b>22557</b> 0512-1-	SLEEVE,M/T 1ST & 2ND SYNCH ALL	<b>MR581380</b>	1
				<b>22558</b> 0512-1-	SLEEVE,M/T 5TH & REV SYNCH ALL	<b>MN168857</b>	1

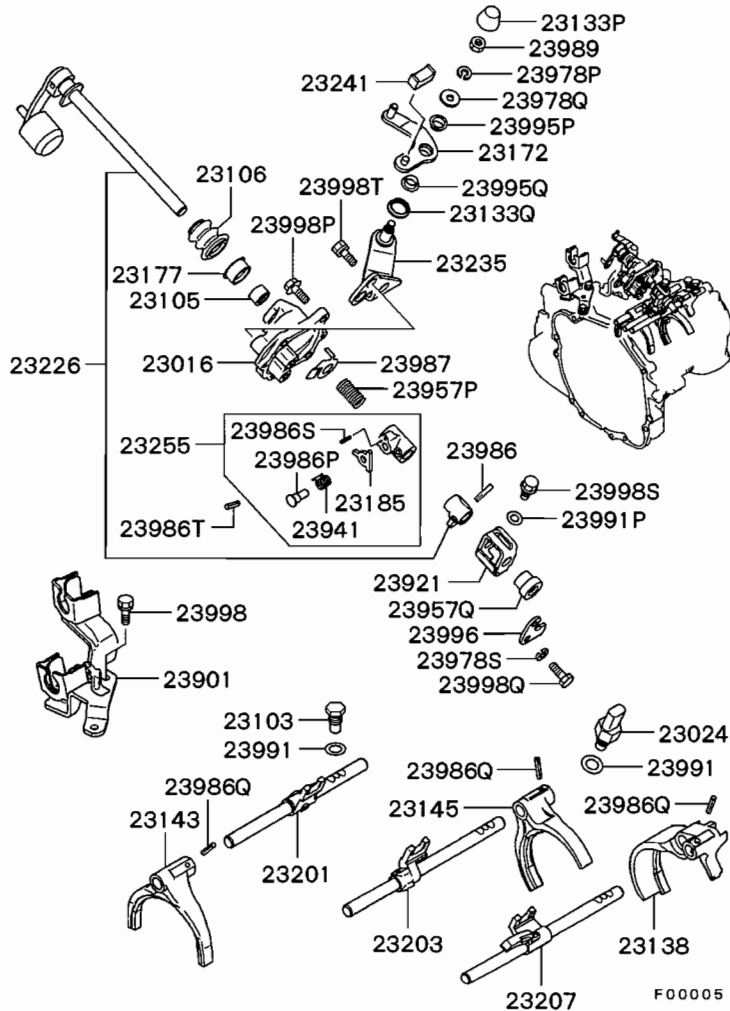
22 -120 M/T GEAR

P/N C		MODEL APPLICABLE		QTY	REMARKS	P/N C		MODEL APPLICABLE		QTY	REMARKS
FROM-UP TO	TYPE	DESCRIPTION	PART NO. (REPL P/NO.)			FROM-UP TO	TYPE	DESCRIPTION	PART NO. (REPL P/NO.)		
22562	0512-1-	SLEEVE,M/T 3RD & 4TH SYNCH				22615P	SPACER,M/T DIFF				
	0512-1-	ALL	MR581381	1			ALL		MD720938	CC	OR 0.86
22592	0512-1-	RING,M/T OUTPUT SHAFT REV SYNCH					ALL		MD720939	CC	OR 0.89
	0512-1-	ALL	MN168936	1			ALL		MD720940	CC	OR 0.92
22595	0512-1-	SPRING,M/T SYNCH KEY					ALL		MD720941	CC	OR 0.95
	0512-1-	ALL	MR581383	2			ALL		MD720942	CC	OR 0.98
22595P	0512-1-	SPRING,M/T SYNCH KEY					ALL		MD720943	CC	OR 1.01
	0512-1-	ALL	MR581389	2			ALL		MD720944	CC	OR 1.04
22595Q	0512-1-	SPRING,M/T SYNCH KEY					ALL		MD720945	CC	OR 1.07
	0512-1-	ALL	MR581383	2			ALL		MD710454	CC	OR 1.10
22596	0512-1-	RING,M/T SYNCH					ALL		MD700270	CC	OR 1.13
	0512-1-	ALL	MR581382	1			ALL		MD710455	CC	OR 1.16
22596P	0512-1-	RING,M/T SYNCH					ALL		MD710456	CC	OR 1.19
	0512-1-	ALL	MN168937	1			ALL		MD700271	CC	OR 1.22
22596S	0512-1-	RING,M/T SYNCH					ALL		MD710457	CC	OR 1.25
	0512-1-	ALL	MN168937	1		22986	WASHER,M/T POWER TRAIN				
22600	0512-1-	CASE,M/T DIFF					ALL		MA145188	2	SPRING,17.3
	0512-1-	ALL	MD770937	1			ALL				
22602	0512-1-	BEARING,M/T DIFF CASE					ALL		MD706537	1	2.24
	0512-1-	ALL	MA125934	2	TAPER ROLLER, 72.00X18.25-35.00		ALL		MD706538	CC	OR 2.31
22605	0512-1-	GEAR,M/T DIFF DRIVE					ALL		MD706539	CC	OR 2.38
	0512-1-	ALL	MD746397	1	N=67	22989P	SNAP RING,M/T POWER TRAIN				
22610	0512-1-	GEAR KIT,M/T DIFF					ALL		MD746708	1	1.43
	0512-1-	ALL	MD748538	1			ALL		MD746709	CC	OR 1.51
22611	0512-1-	SPACER SET,M/T DIFF SIDE GEAR					ALL		MD746710	CC	OR 1.59
	0512-1-	ALL	MD979053	2		22989Q	SNAP RING,M/T POWER TRAIN				
22612	0512-1-	SHAFT,M/T DIFF PINION					ALL		MD746708	1	1.43
	0512-1-	ALL	MD704947	1			ALL		MD746709	CC	OR 1.51
22615	0512-1-	SPACER,M/T DIFF					ALL		MD746710	CC	OR 1.59
	0512-1-	ALL	*	2	SIK 0.75-0.82	22989S	SNAP RING,M/T POWER TRAIN				
	0512-1-	ALL	*	CC	SIK 0.80-0.84		ALL		MD747313	1	1.85
	0512-1-	ALL	*	CC	SIK 0.83-0.92	22989T	SNAP RING,M/T POWER TRAIN				
	0512-1-	ALL	*	CC	SIK 0.90-0.94		ALL		MD747149	1	2.31
	0512-1-	ALL	*	CC	SIK 0.93-1.00		ALL		MD746561	CC	OR 2.35
	0512-1-	ALL	*	CC	SIK 0.93-1.11		ALL		MD746562	CC	OR 2.39
	0512-1-	ALL	*	CC	SIK 0.98-1.02		ALL		MD746563	CC	OR 2.43
	0512-1-	ALL	*	CC	SIK 1.01-1.08		ALL		MD746564	CC	OR 2.47
	0512-1-	ALL	*	CC	SIK 1.09-1.16		ALL		MD746565	CC	OR 2.51
	0512-1-	ALL	*	CC	SIK 1.17-1.20		ALL		MD746566	CC	OR 2.55
	0512-1-	ALL	*	CC	SIK 1.17-1.20		ALL		MD746567	CC	OR 2.59
22615P	0512-1-	SPACER,M/T DIFF					ALL		MD746568	CC	OR 2.63
	0512-1-	ALL	MD754475	1	0.71		ALL		MD746569	CC	OR 2.67
	0512-1-	ALL	MD727660	CC	OR 0.74		ALL		MD746570	CC	OR 2.71
	0512-1-	ALL	MD754476	CC	OR 0.77	22989U	SNAP RING,M/T POWER TRAIN				
	0512-1-	ALL	MD727661	CC	OR 0.80		ALL		MD745799	1	2.81
	0512-1-	ALL	MD720937	CC	OR 0.83		ALL		MD745800	CC	OR 2.85

22 -120 M/T GEAR

P N C	MODEL APPLICABLE	R	PART NO.	Q	REMARKS
FROM-UP TO	TYPE DESCRIPTION	P	(REPL P/NO.)	Y	
<b>22989U</b>	SNAP RING,M/T POWER TRAIN				
0512-1-	ALL		<b>MD745801</b>	CC	OR 2.89
0512-1-	ALL		<b>MD745802</b>	CC	OR 2.93
0512-1-	ALL		<b>MD745803</b>	CC	OR 2.97
0512-1-	ALL		<b>MD745804</b>	CC	OR 3.01
0512-1-	ALL		<b>MD745805</b>	CC	OR 3.05
0512-1-	ALL		<b>MD745806</b>	CC	OR 3.09
<b>22989V</b>	SNAP RING,M/T POWER TRAIN				
0512-1-	ALL		<b>MF522013</b>	1	22
<b>22992</b>	PIN,M/T POWER TRAIN				
0512-1-	ALL		<b>MD706557</b>	1	DOWEL,5X50
<b>22997</b>	GASKET,M/T POWER TRAIN				
0512-1-	ALL		<b>MD720603</b>	1	
<b>22998</b>	BOLT,M/T POWER TRAIN				
0512-1-	ALL		<b>MD749478</b>	1	10X46
<b>22998P</b>	BOLT,M/T POWER TRAIN				
0512-1-	ALL		<b>MD040557</b>	8	FLANGE,12X22.5
<b>22999</b>	BALL,M/T POWER TRAIN				
0512-1-	ALL		<b>MF540004</b>	1	1/8

## 22 -130 M/T GEARSHIFT CONTROL



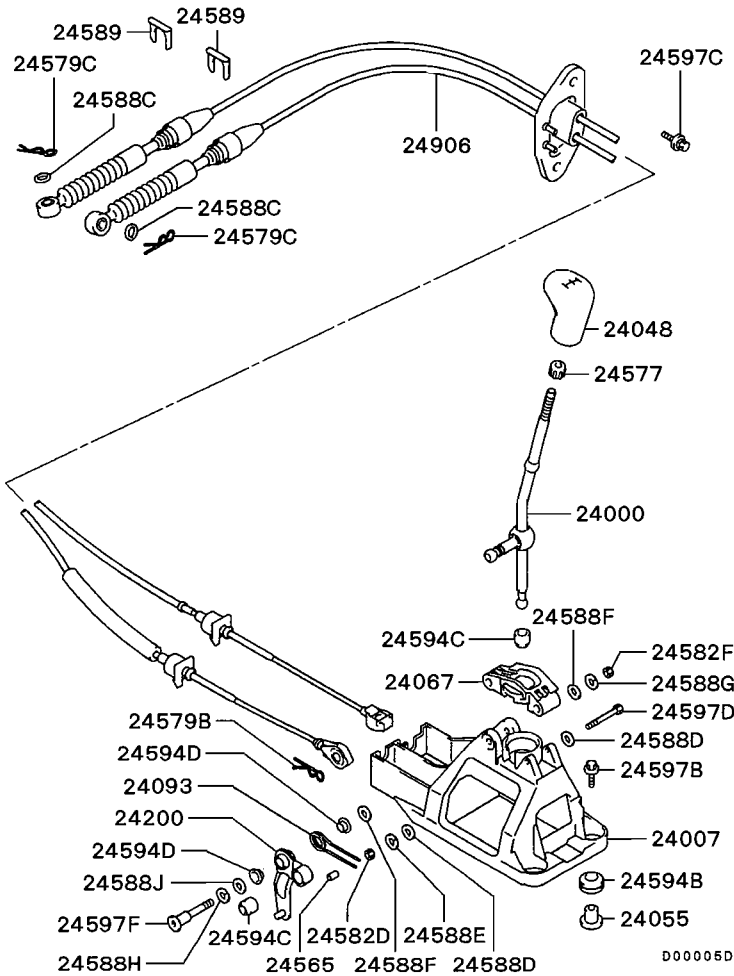
P N C	MODEL APPLICABLE		PART NO. (REPL P/NO.)	Q Y	REMARKS
	FROM-UP TO	TYPE			
<b>23016</b>					
0512-1-					
ALL			MD748027	1	
<b>23024</b>					
0512-1-					
ALL			MD730979	1	
<b>23103</b>					
0512-1-					
ALL			MD749435	3	
<b>23105</b>					
0512-1-0801-2					
CS6A ALL			O MD712913	1	NEEDLE.20
			(MD747209)		
0512-1-0801-2			MD747209		CC OR NEEDLE.20
0801-3-			MD747209	1	NEEDLE.20
CS6A ALL					
<b>23106</b>					
0512-1-					
ALL			MD718557	1	
<b>23133P</b>					
0512-1-					
ALL			MD748351	1	
<b>23133Q</b>					
0512-1-					
ALL			MD748353	1	
<b>23138</b>					
0512-1-					
ALL			MR518393	1	
<b>23143</b>					
0512-1-					
ALL			MD746220	1	
<b>23145</b>					
0512-1-					
ALL			MD746221	1	
<b>23172</b>					
0512-1-					
ALL			MD746246	1	
<b>23177</b>					
0512-1-					
ALL			MD747660	1	
<b>23185</b>					
0512-1-					
ALL			Y MD717882	1	(MD747314)
<b>23201</b>					
0512-1-					
ALL			MD748816	1	
<b>23203</b>					
0512-1-					
ALL			MR518369	1	
<b>23207</b>					
0512-1-					
ALL			MR518370	1	
<b>23226</b>					
0512-1-					
ALL			MD771765	1	
<b>23235</b>					
0512-1-					
ALL			MD745788	1	
<b>23241</b>					
0512-1-					
ALL			MD771824	1	
<b>23255</b>					
0512-1-					
ALL			MD770926	1	
<b>23901</b>					
0512-1-					
ALL			3265A002	1	

22 -130 M/T GEARSHIFT CONTROL

P N C		MODEL APPLICABLE		P R	PART NO. (REPL P/NO.)	Q Y	REMARKS	P N C		MODEL APPLICABLE		P R	PART NO. (REPL P/NO.)	Q Y	REMARKS
FROM-UP TO	TYPE	DESCRIPTION						FROM-UP TO	TYPE	DESCRIPTION					
<b>23921</b> 0512-1-		PLATE,M/T GEARSHIFT INTERLOCK ALL			<b>MD747918</b>	1		<b>23998S</b> 0512-1-		BOLT,M/T GEARSHIFT EQUIP ALL			<b>MD744628</b>	1	10X19
<b>23941</b> 0512-1-		SPRING,M/T GEARSHIFT ADJUSTING ARM RETURN ALL			<b>MD749757</b>	1		<b>23998T</b> 0512-1-		BOLT,M/T GEARSHIFT EQUIP ALL			<b>MF241252</b>	2	WASHER ASSEMBLED.8X18
<b>23957P</b> 0512-1-		SPRING,M/T GEARSHIFT NEUTRAL RETURN ALL			<b>MD771402</b>	1									
<b>23957Q</b> 0512-1-		SPRING,M/T GEARSHIFT NEUTRAL RETURN ALL	Y		<b>MD747587</b> <b>(MD770438)</b>	1									
<b>23978P</b> 0512-1-		WASHER,M/T GEARSHIFT EQUIP ALL			<b>MF450405</b>	1	SPRING,8								
<b>23978Q</b> 0512-1-		WASHER,M/T GEARSHIFT EQUIP ALL			<b>MF450204</b>	1	PLAIN,8								
<b>23978S</b> 0512-1-		WASHER,M/T GEARSHIFT EQUIP ALL			<b>MF450405</b>	2	SPRING,8								
<b>23986</b> 0512-1-		PIN,M/T GEARSHIFT EQUIP ALL			<b>MD705490</b>	1	LOCK,5X22								
<b>23986P</b> 0512-1-		PIN,M/T GEARSHIFT EQUIP ALL			<b>MD770928</b>	1									
<b>23986Q</b> 0512-1-		PIN,M/T GEARSHIFT EQUIP ALL			<b>MF472574</b>	3	SPRING,5X28								
<b>23986S</b> 0512-1-		PIN,M/T GEARSHIFT EQUIP ALL			<b>MF472535</b>	1	SPRING,3X14								
<b>23986T</b> 0512-1-		PIN,M/T GEARSHIFT EQUIP ALL			<b>MF472572</b>	1	SPRING,5X22								
<b>23987</b> 0512-1-		SPACER,M/T GEARSHIFT EQUIP ALL			<b>MD748526</b>	1									
<b>23989</b> 0512-1-		NUT,M/T GEARSHIFT EQUIP ALL			<b>MF430005</b>	1	8								
<b>23991</b> 0512-1-		GASKET,M/T GEARSHIFT EQUIP ALL			<b>MF660035</b>	4									
<b>23991P</b> 0512-1-		GASKET,M/T GEARSHIFT EQUIP ALL			<b>MD720603</b>	1									
<b>23995P</b> 0512-1-		BUSHING,M/T GEARSHIFT EQUIP ALL			<b>MD748352</b>	1									
<b>23995Q</b> 0512-1-		BUSHING,M/T GEARSHIFT EQUIP ALL			<b>MD748350</b>	1									
<b>23996</b> 0512-1-		BRACKET,M/T GEARSHIFT EQUIP ALL			<b>MD748030</b>	1									
<b>23998</b> 0512-1-		BOLT,M/T GEARSHIFT EQUIP ALL			<b>MF241252</b>	2	WASHER ASSEMBLED.8X18								
<b>23998P</b> 0512-1-		BOLT,M/T GEARSHIFT EQUIP ALL			<b>MF140227</b>	4	FLANGE,8X25								
<b>23998Q</b> 0512-1-		BOLT,M/T GEARSHIFT EQUIP ALL			<b>MD717883</b>	2	REAMER,8X22.5								



## 22 -200 M/T FLOOR SHIFT LINKAGE



P N C	MODEL APPLICABLE		QTY	PART NO. (REPL P/NO.)	QTY	REMARKS
	FROM-UP TO	TYPE				
<b>24000</b> 0512-1-	ALL	LEVER,GEARSHIFT		<b>MR553288</b>	1	
<b>24007</b> 0512-1-	ALL	BRACKET,GEARSHIFT LEVER		<b>MR246297</b>	1	
<b>24048</b> 0512-1-0701-3 0512-1-0804-3 0702-1-	CS6A CS6A CS6A	SNJERDW SNJERDW SNJERDW		<b>MR534025</b> <b>MR648161</b> <b>MR656138</b>	1 1 1	SMT,LEATHER INT.83P BEIGE,SMT,LEATHER INT.62F BLACK,SMT,LEATHER INT:40X,63P
0805-1-	CS6A	SNJERDW SNJERDW2		<b>MR648161</b>	1	BEIGE,SMT,LEATHER INT:41Y,42Y
<b>24055</b> 0512-1-	ALL	PIECE,GEARSHIFT LEVER BRACKET DISTANCE	Y	<b>MB870573</b> <b>(MB870574)</b>	4	
<b>24067</b> 0512-1-	ALL	RETAINER,GEARSHIFT LEVER		<b>MR246296</b>	1	
<b>24093</b> 0512-1-	ALL	SPRING,GEARSHIFT LEVER		<b>MR246300</b>	1	
<b>24200</b> 0512-1-	ALL	LEVER,GEARSHIFT SELECT		<b>MR246298</b>	1	
<b>24565</b> 0512-1-	ALL	COLLAR,GEARSHIFT LINK		<b>MR246301</b>	1	
<b>24577</b> 0512-1-	ALL	SPACER,GEARSHIFT LINK		<b>MR399496</b>	1	
<b>24579B</b> 0512-1-	ALL	PIN,GEARSHIFT LINK		<b>MF472304</b>	1	1 SNAP,8X22.7
<b>24579C</b> 0512-1-	ALL	PIN,GEARSHIFT LINK		<b>MB844379</b>	2	SNAP,8
<b>24582D</b> 0512-1-	ALL	NUT,GEARSHIFT LINK		<b>MB347410</b>	1	SELF LOCKING,6
<b>24582F</b> 0512-1-	ALL	NUT,GEARSHIFT LINK		<b>MF445004</b>	1	SELF LOCKING,8
<b>24588C</b> 0512-1-	ALL	WASHER,GEARSHIFT LINK		<b>MB175244</b>	2	PLAIN,8.5
<b>24588D</b> 0512-1-	ALL	WASHER,GEARSHIFT LINK		<b>MF450153</b>	2	PLAIN,6
<b>24588E</b> 0512-1-	ALL	WASHER,GEARSHIFT LINK		<b>MF450404</b>	1	SPRING,6
<b>24588F</b> 0512-1-	ALL	WASHER,GEARSHIFT LINK		<b>MF450154</b>	2	PLAIN,8
<b>24588G</b> 0512-1-	ALL	WASHER,GEARSHIFT LINK		<b>MF450405</b>	1	SPRING,8
<b>24588H</b> 0512-1-	ALL	WASHER,GEARSHIFT LINK		<b>MF451107</b>	1	WAVE,14
<b>24588J</b> 0512-1-	ALL	WASHER,GEARSHIFT LINK		<b>MB180001</b>	1	PLAIN,13.5

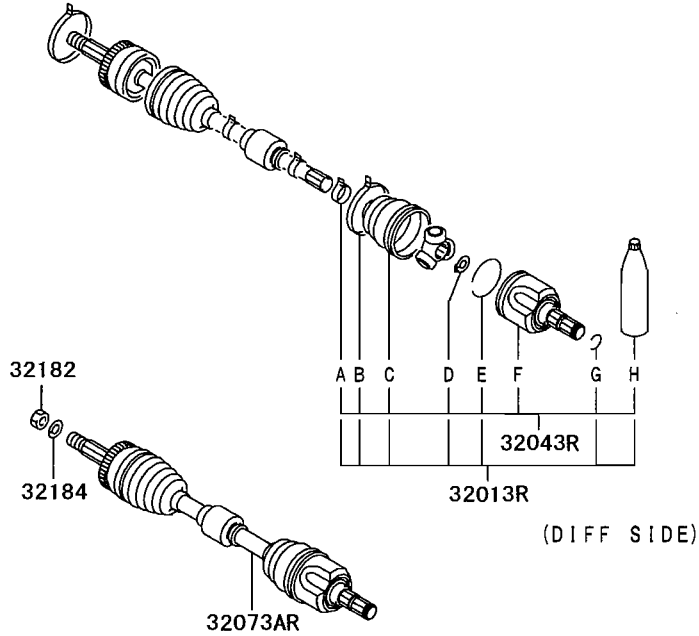
22 -200 M/T FLOOR SHIFT LINKAGE

P N C	MODEL APPLICABLE	PART NO.	Q	REMARKS
FROM-UP TO	TYPE DESCRIPTION	(REPL P/NO.)	TY	
<b>24589</b> 0512-1-	CLIP,GEARSHIFT LINK ALL	<b>MR453669</b>	2	
<b>24594B</b> 0512-1-	BUSHING,GEARSHIFT LINK ALL	<b>MB580086</b> (MR103559)	4	
<b>24594C</b> 0512-1-	BUSHING,GEARSHIFT LINK ALL	<b>MR232147</b>	2	
<b>24594D</b> 0512-1-	BUSHING,GEARSHIFT LINK ALL	<b>MB829013</b>	2 14	
<b>24597B</b> 0512-1-0709-3 0710-1-	BOLT,GEARSHIFT LINK ALL ALL	<b>MU241033</b> <b>MS240148</b>	4 4	WASHER ASSEMBLED,BLACK, 8X35
<b>24597C</b> 0512-1-	BOLT,GEARSHIFT LINK ALL	<b>MS240085</b>	2	WASHER ASSEMBLED,8X20
<b>24597D</b> 0512-1-	BOLT,GEARSHIFT LINK ALL	<b>MF103142</b>	1	6X65
<b>24597F</b> 0512-1-	BOLT,GEARSHIFT LINK ALL	<b>MR246299</b>	1	
<b>24906</b> 0512-1-	CABLE,GEARSHIFT ALL	<b>MR534439</b>	1	

# 26 -130 FRONT AXLE DRIVE SHAFT

CS6A:RH

(WHEEL SIDE)



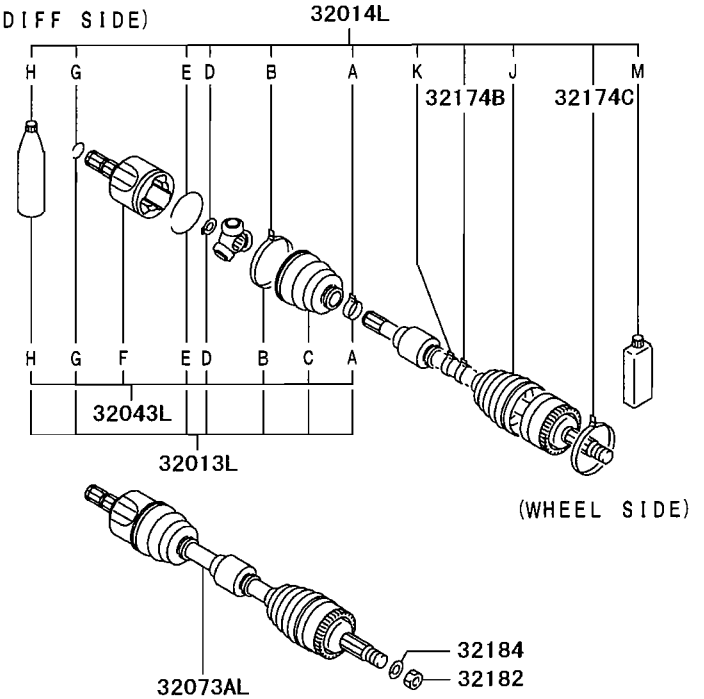
KEY MARK	PARTS NAME	KEY MARK	PARTS NAME
A	BAND, BOOT	G	CIRCLIP
B	BAND, BOOT	H	GREASE PACKAGE
C	BOOT (PTJ)		
D	SNAP RING		
E	CIRCLIP		
F	PTJ ASSY		

NOTE: ABOVE PARTS WITH KEY MARKS MUST BE SUPPLIED IN KIT.

D00092

CS6A:LH

(DIFF SIDE)



KEY MARK	PARTS NAME	KEY MARK	PARTS NAME
A	BAND, BOOT	G	CIRCLIP
B	BAND, BOOT	H	GREASE PACKAGE
C	BOOT (PTJ)	J	BOOT (EBJ)
D	SNAP RING	K	BAND, DAMPER
E	CIRCLIP	M	GREASE PACKAGE
F	PTJ ASSY		

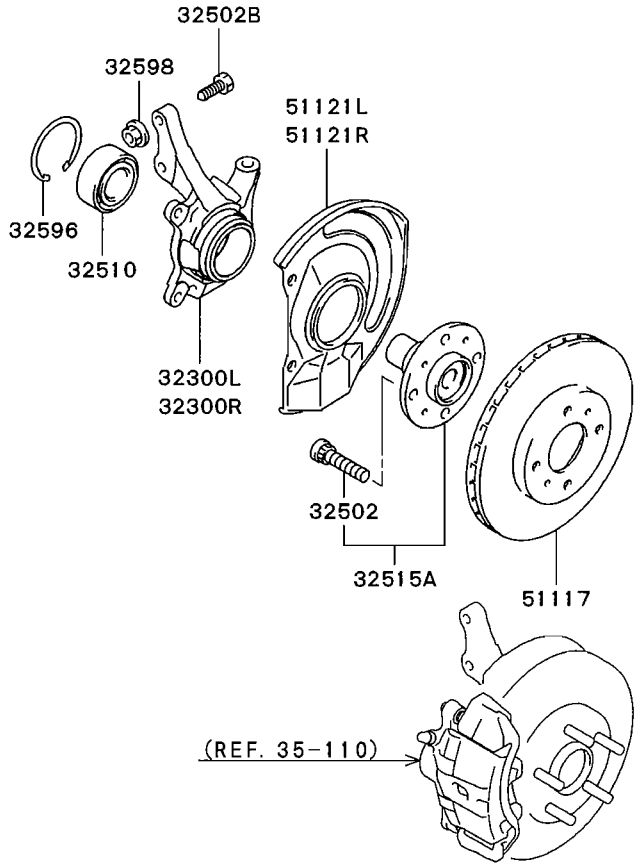
NOTE: ABOVE PARTS WITH KEY MARKS MUST BE SUPPLIED IN KIT.

D00093

26 -130 FRONT AXLE DRIVE SHAFT

P N C	MODEL APPLICABLE	R	PART NO.	Q	REMARKS
FROM-UP TO	TYPE DESCRIPTION	P	(REPL P/NO.)	TY	
<b>32013L</b> 0512-1-	BOOT KIT,FR AXLE JOINT,LH ALL	R	<b>3817A029</b>	1	PTJNTN S03048
<b>32013R</b> 0512-1-	BOOT KIT,FR AXLE JOINT,RH ALL	R	<b>3817A029</b>	1	PTJNTN S03048
<b>32014L</b> 0512-1-	BOOT KIT,FR AXLE SHAFT,LH ALL		<b>3817A095</b>	1	
<b>32043L</b> 0512-1-	JOINT KIT,FR AXLE SHAFT,LH ALL	R	<b>3817A027</b>	1	PTJNTN S03048
<b>32043R</b> 0512-1-	JOINT KIT,FR AXLE SHAFT,RH ALL	R	<b>3817A027</b>	1	PTJNTN S03048
<b>32073AL</b> 0512-1-	SHAFT ASSY,FR AXLE DRIVE,LH ALL		<b>3815A143</b>	1	
<b>32073AR</b> 0512-1-	SHAFT ASSY,FR AXLE DRIVE,RH ALL		<b>3815A144</b>	1	
<b>32174B</b> 0512-1-	BAND,FR AXLE ALL		<b>MR263377</b>	2	
<b>32174C</b> 0512-1-	BAND,FR AXLE ALL		<b>MN180249</b>	2	
<b>32182</b> 0512-1-	NUT,FR AXLE ALL		<b>MU000679</b>	2	
<b>32184</b> 0512-1-	WASHER,FR AXLE ALL		<b>MB109025</b>	2	LOCK,22.4

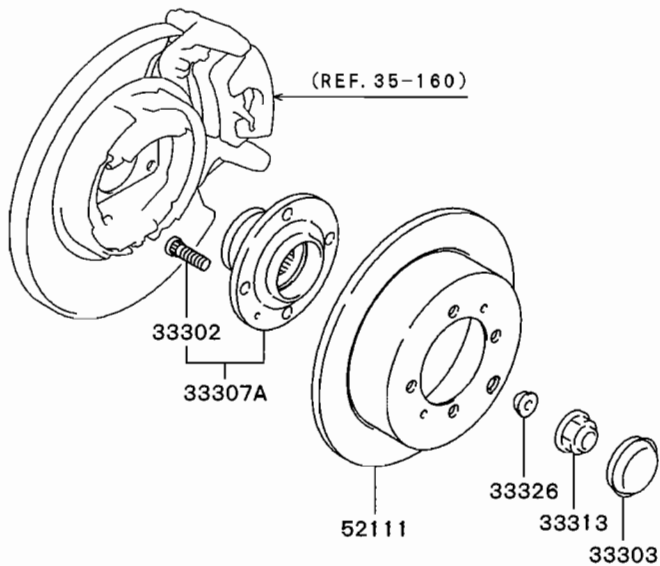
## 26 -150 FRONT AXLE HUB & DRUM



3EL4A92

P N C	MODEL APPLICABLE		B P	PART NO. (REPL P/NO.)	Q Y	REMARKS
	FROM/UP TO	TYPE				
<b>32300L</b> 0512-1-	ALL	ALL		<b>MR491321</b>	1	
<b>32300R</b> 0512-1-	ALL	ALL		<b>MR491322</b>	1	
<b>32502</b> 0512-1-	ALL	ALL		<b>MB911495</b>	8	12X43
<b>32502B</b> 0512-1-	ALL	ALL		<b>MU140067</b>	4	FLANGE,14X63
<b>32510</b> 0512-1-	ALL	ALL		<b>MR491449</b>	2	BALL,80X40-40
<b>32515A</b> 0512-1-	ALL	ALL		<b>MR519922</b>	2	
<b>32596</b> 0512-1-	ALL	ALL		<b>MB303868</b>	2	73.5
<b>32598</b> 0512-1-	ALL	ALL		<b>MD090875</b>	4	FLANGE,14
<b>51117</b> 0512-1-	ALL	ALL	O	<b>MR510742</b> <b>(MR510741)</b>	2	15"
<b>51121L</b> 0512-1-	ALL	ALL		<b>MR493411</b>	1	
<b>51121R</b> 0512-1-	ALL	ALL		<b>MR493412</b>	1	

## 27 -250 REAR AXLE HUB & DRUM

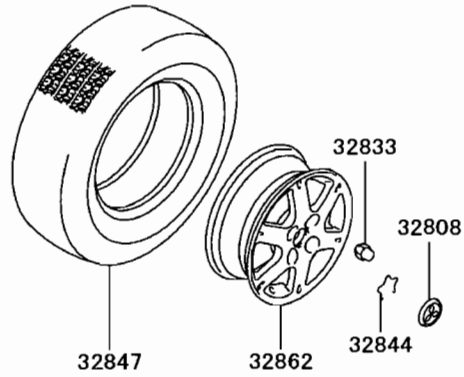


D00011B

P N C	MODEL APPLICABLE		PART NO. (REPL P/NO.)	Q T Y	RE M A R K S
	FROM-UP TO	TYPE			
<b>33302</b>					
0512-1-					
<b>33303</b>			<b>MB911495</b>	8	12X43
0512-1-					
<b>33307A</b>			<b>MB515405</b>	2	
0512-1-					
<b>33307A</b>			<b>MR527452</b>	2	
0512-1-					
<b>33313</b>					
0512-1-					
<b>33326</b>			<b>MB584600</b>	2	SELF LOCKING,20
0512-1-					
<b>33326</b>			<b>MB407635</b>	2	RUBBER
0512-1-					
<b>52111</b>					
0512-1-			<b>MB668083</b>	2	14"
0512-1-					

# 31 -010 WHEEL,TIRE & COVER

CS6A:TIRE,WHEEL,CAP,ETC.



**32862**

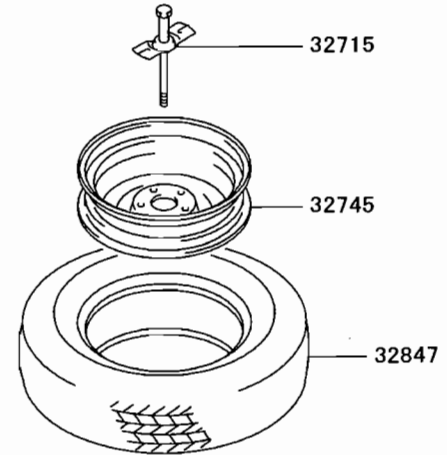
TYPE	JG	RF	ET
MATL	Aluminum	←	←
ILLUST			

**32808**

TYPE	VG	AQ	V
ILLUST			

D00165

CS6A:SPARE TIRE,WHEEL,ETC.



**32745**

TYPE	JG	RF	ET
MATL	Aluminum	←	←
ILLUST			

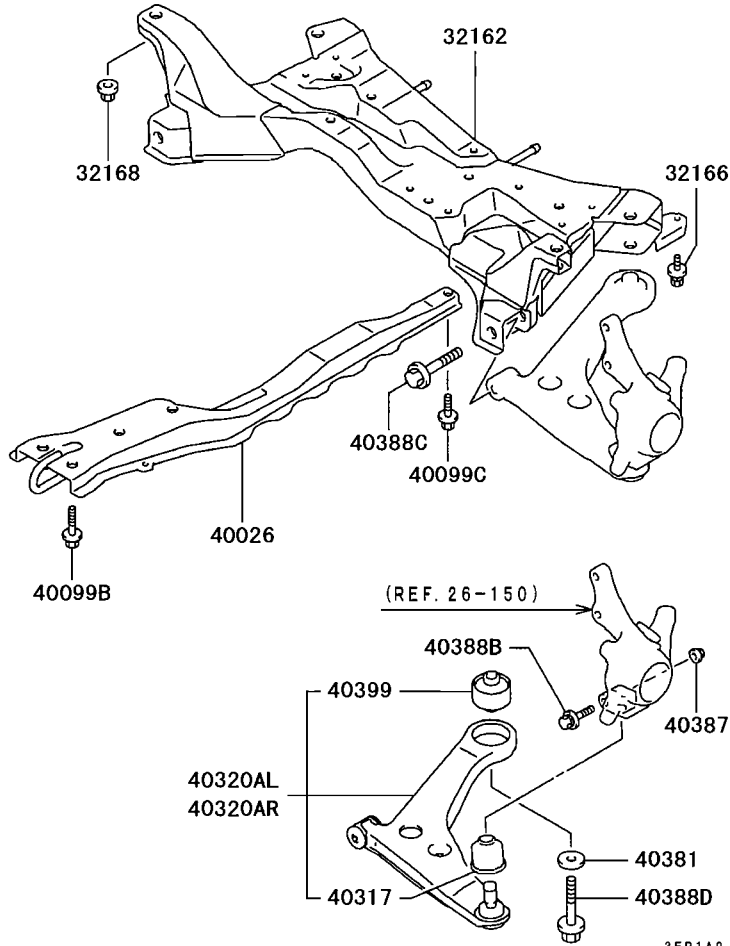
D00166

### 31 -010 WHEEL,TIRE & COVER

P N C	MODEL APPLICABLE	PART NO.	Q	REMARKS
FROM-UP TO	TYPE DESCRIPTION	(REPL P/NO.)	Y	
<b>32715</b> 0512-1-	CLAMP,SPARE TIRE CARRIER ALL	<b>MR519590</b>	1	
<b>32745</b> 0512-1-0804-3	WHEEL,SPARE TIRE DISC CS6A ALL	<b>MN100366</b>	1	TYPE JG,15X&J OFS46, PCD114.3
0805-1-	CS6A SNDERDW	<b>MN100366</b>	1	TYPE JG,15X&J OFS46, PCD114.3
0805-1-	CS6A SNJERDW	<b>MN101927</b>	1	TYPE RF,15X&J OFS46, PCD114.3
0805-1-	CS6A SNDERDW2	<b>MR770528</b>	1	TYPE ET,N-B-ARGENT-C, 15X&J *
<b>32808</b> 0512-1-0804-3	CAP,DISC WHEEL,CTR CS6A ALL	<b>MR554097</b>	4	TYPE VG
0805-1-	CS6A SNDERDW2	<b>MB816391</b>	4	TYPE V,N-B-ARGENT
0805-1-	CS6A SNJERDW	<b>MR455388</b>	4	TYPE AQ
0805-1-	CS6A SNDERDW	<b>MR554097</b>	4	TYPE VG
<b>32833</b> 0512-1-0804-3	NUT,WHEEL CS6A ALL	<b>3880A008</b>	16	WICAP
0805-1-	CS6A SNDERDW2	<b>MR455707</b>	16	WICAP,12 W/WASHER
0805-1-	CS6A SNDERDW SNJERDW	<b>3880A008</b>	16	WICAP
<b>32844</b> 0805-1-	SPRING,DISC WHEEL CTR CAP CS6A SNDERDW2	<b>MB579402</b>	4	
<b>32847</b> 0512-1-	TIRE ALL	*	5	NS 19S160R15 88H
<b>32862</b> 0512-1-0804-3	WHEEL,DISC CS6A ALL	<b>MN100366</b>	4	TYPE JG,AL,15X&J OFS46, PCD114.3
0805-1-	CS6A SNDERDW	<b>MN100366</b>	4	TYPE JG,AL,15X&J OFS46, PCD114.3
0805-1-	CS6A SNJERDW	<b>MN101927</b>	4	TYPE RF,AL,15X&J OFS46, PCD114.3
0805-1-	CS6A SNDERDW2	<b>MR770528</b>	4	TYPE ET,N-B-ARGENT-C,AL, 15X&J *

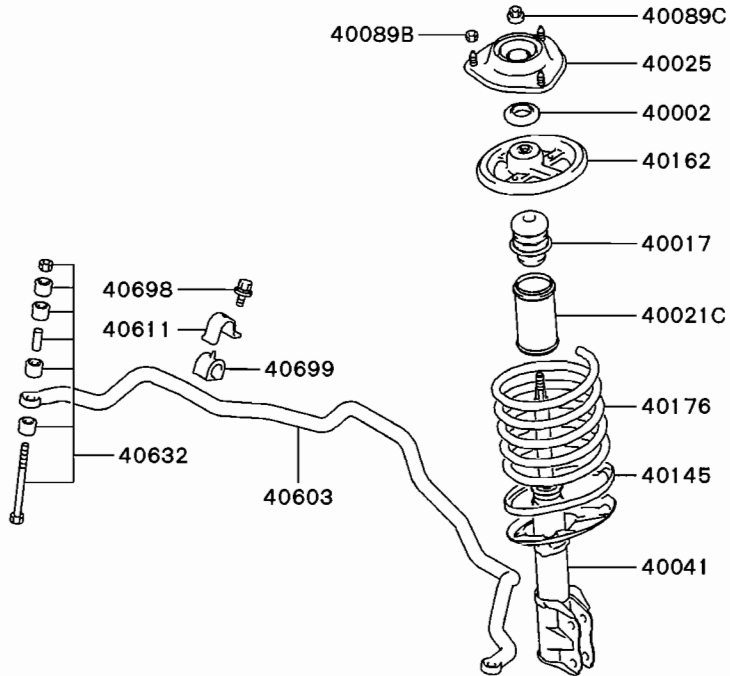


### 33 -050 FRONT SUSP ARM & MEMBER



P N C	MODEL APPLICABLE		PART NO. (REPL P/NO.)	Q Y	REMARKS
	FROM-UP TO	TYPE			
<b>32162</b>					
0512-1-0712-3	ALL		<b>MR510285</b>	1	
0801-1-	ALL		<b>MR403173</b> <b>(MR510285)</b>	1	
<b>32166</b>					
0512-1-	ALL		<b>MF140456</b>	2	FLANGE,10X16
<b>32168</b>					
0512-1-	ALL		<b>MD090875</b>	2	FLANGE,14
<b>40026</b>					
0512-1-	ALL		<b>MR554735</b>	1	
<b>40099B</b>					
0512-1-	ALL		<b>MU140080</b>	2	FLANGE,12X56
<b>40099C</b>					
0512-1-	ALL		<b>MU000468</b>	1	
<b>40317</b>					
0512-1-	ALL		<b>MR455070</b>	2	
<b>40320AL</b>					
0512-1-	ALL		<b>MR403419</b>	1	
<b>40320AR</b>					
0512-1-	ALL		<b>MR403420</b>	1	
<b>40381</b>					
0512-1-	ALL		<b>MU000382</b>	2	
<b>40387</b>					
0512-1-	ALL		<b>MU431006</b>	2	FLANGE,8T,12
<b>40388B</b>					
0512-1-	ALL		<b>MU000467</b>	2	FLANGE,12X60
<b>40388C</b>					
0512-1-	ALL		<b>MU140081</b>	2	
<b>40388D</b>					
0512-1-	ALL		<b>MU000302</b>	2	
<b>40399</b>					
0512-1-	ALL		<b>MR403441</b>	2	

### 33 -110 FRONT SUSP STRUT & SPRING

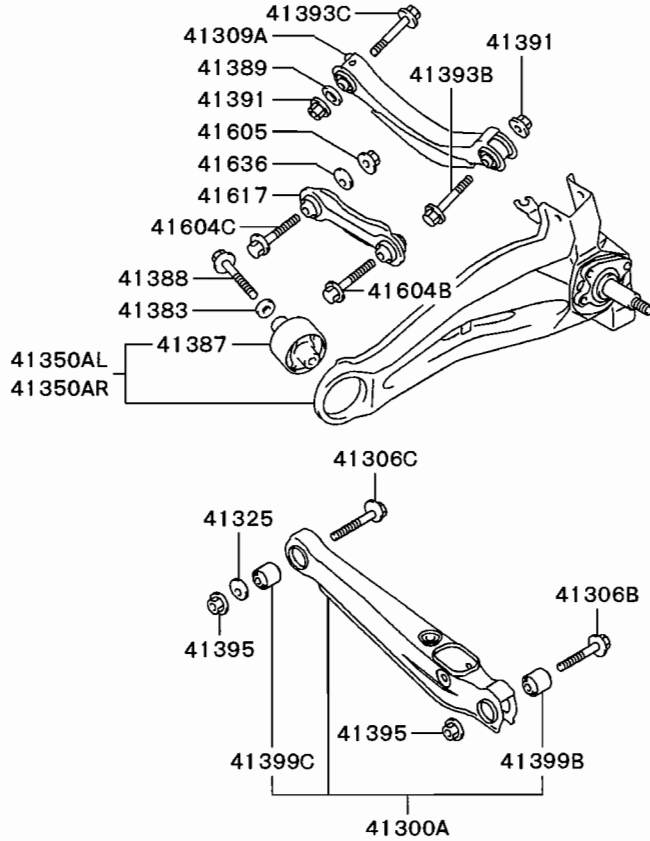


D00006A

P N C	MODEL APPLICABLE		REPL	PART NO. (REPL P/NO.)	QTY	REMARKS
	FROM/UP TO	TYPE DESCRIPTION				
<b>40002</b>		BEARING,FR SUSP STRUT				
0512-1-		ALL		<b>MR272946</b>	2	
<b>40017</b>		DAMPER,FR SUSP STRUT				
0512-1-		ALL		<b>MR961189</b>	2	
<b>40021C</b>		COVER,FR SUSP STRUT				
0512-1-		ALL		<b>MB303070</b>	2	
<b>40025</b>		INSULATOR,FR SUSP STRUT				
0512-1-		ALL	Y	<b>MR589877</b> <b>(MR554860)</b>	2	
<b>40041</b>		STRUT,FR SUSP				
0512-1-		ALL		<b>MN101957</b>	2	
<b>40089B</b>		NUT,FR SUSP STRUT				
0512-1-		ALL		<b>MF434105</b>	6	FLANGE.10
<b>40089C</b>		NUT,FR SUSP STRUT				
0512-1-		ALL	O	<b>MB288463</b> <b>(MU431503)</b>	2	FLANGE SELF LOCKING.12
<b>40145</b>		PAD,FR SUSP SPRING,LWR				
0512-1-		ALL		<b>MR244220</b>	2	
<b>40162</b>		SEAT,FR SUSP SPRING,UPR				
0512-1-		ALL		<b>MR491447</b>	2	
<b>40176</b>		SPRING,FR SUSP COIL				
0512-1-		ALL		<b>MR554740</b>	2	GREEN/GREEN
<b>40603</b>		BAR,FR SUSP STABILIZER				
0512-1-0711-3		ALL		<b>MN101581</b>	1	
0712-1-		ALL		<b>MR519878</b>	1	25
<b>40611</b>		BRACKET,FR SUSP STABILIZER BAR				
0512-1-		ALL		<b>MR403646</b>	2	
<b>40632</b>		LINK KIT,FR SUSP STABILIZER				
0512-1-		ALL		<b>MR954887</b>	2	
<b>40698</b>		BOLT,FR SUSP STABILIZER				
0512-1-0709-3		ALL		<b>MB142761</b>	4	WASHER ASSEMBLED.8X25
0710-1-		ALL		<b>MU140017</b>	4	FLANGE.8X20
<b>40699</b>		BUSHING,FR SUSP STABILIZER				
0512-1-0711-3		ALL		<b>MN100250</b>	2	
0712-1-		ALL		<b>MR519880</b>	2	25

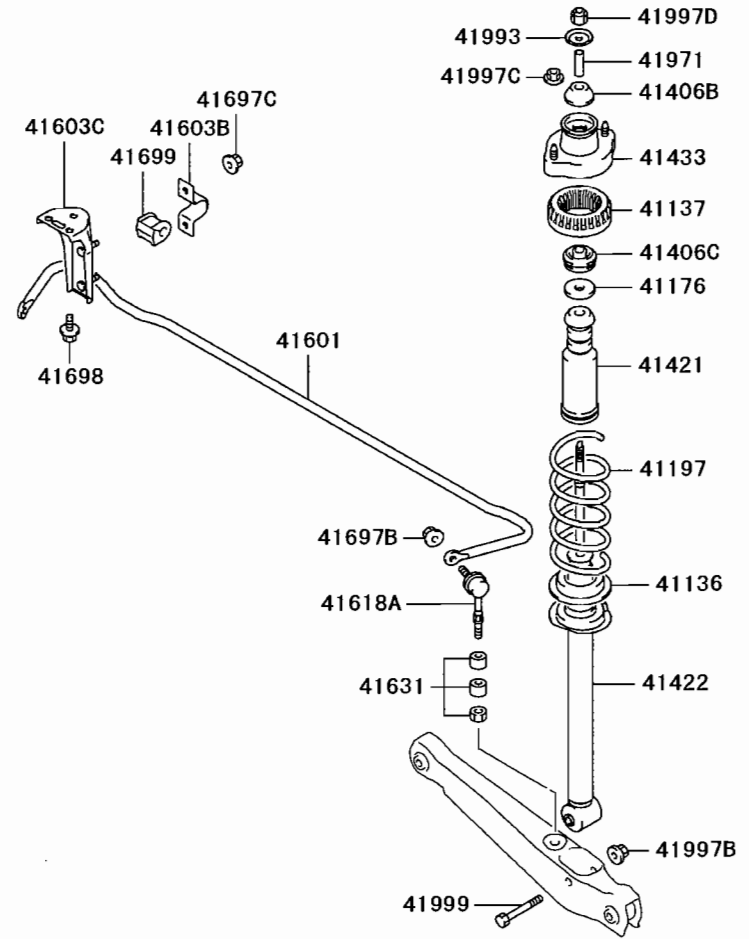
# 34 -010 REAR SUSP

CS6A:SUSPENSION ARM,ETC.



3EQ1A92

CS6A:SHOCK ABSORBER,STABILIZER,ETC.



D00092

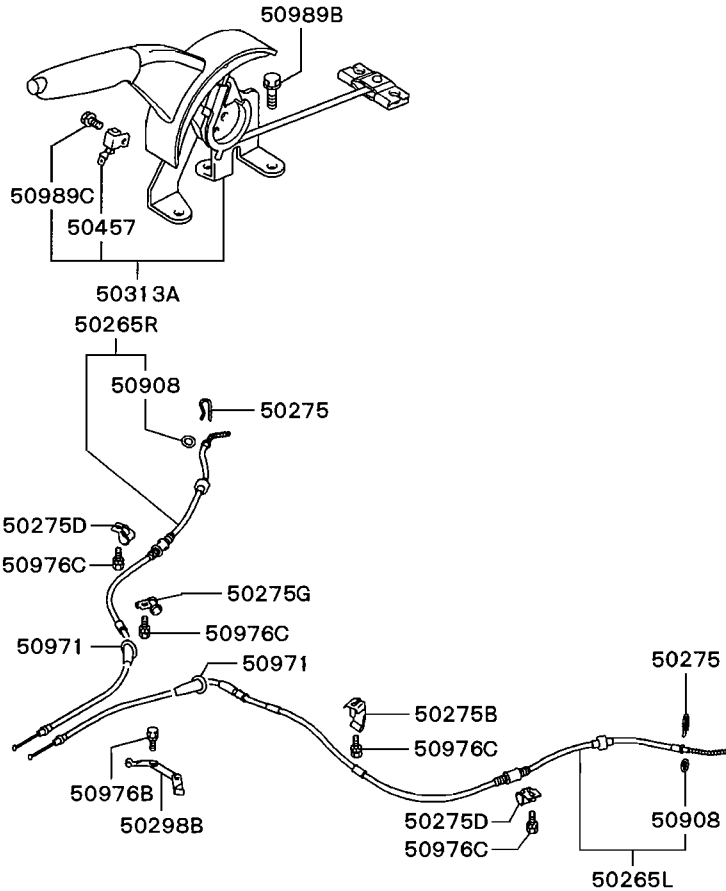
### 34 -010 REAR SUSP

P N C	MODEL APPLICABLE	TYPE	PART NO.	Q	REMARKS	P N C	MODEL APPLICABLE	TYPE	PART NO.	Q	REMARKS
FROM-UP TO	DESCRIPTION		(REPL P/NO.)	Y		FROM-UP TO	DESCRIPTION		(REPL P/NO.)	Y	
<b>41136</b> 0512-1-	PAD,RR SUSP SPRING,LWR ALL		<b>MR510446</b>	2		<b>41406C</b> 0512-1-0708-3	BUSHING,RR SUSP COIL SPRING ALL		<b>MR554370</b>	2	
<b>41137</b> 0512-1-	PAD,RR SUSP SPRING,UPR ALL		<b>MB809280</b>	2		0709-1-	ALL		<b>MR594613</b>	2	
<b>41176</b> 0512-1-	PLATE,RR SUSP SPRING DAMPER ALL		<b>MR491950</b>	2		<b>41421</b> 0512-1-	DAMPER,RR SHOCK ABSORBER ALL		<b>MR510002</b>	2	
<b>41197</b> 0512-1-	SPRING,RR SUSP COIL ALL		<b>MR961151</b>	2		<b>41422</b> 0512-1-	SHOCK ABSORBER,RR SUSP ALL		<b>MN101960</b>	2	
<b>41300A</b> 0512-1-	ARM ASSY,RR SUSP,LWR ALL		<b>4113A041</b>	2		<b>41433</b> 0512-1-	INSULATOR,RR SHOCK ABSORBER ALL		<b>MR491946</b>	2	
<b>41306B</b> 0512-1-	BOLT,RR SUSP LWR ARM ALL		<b>MU000390</b>	2		<b>41601</b> 0512-1-	BAR,RR SUSP STABILIZER ALL		<b>MR589635</b>	1	
<b>41306C</b> 0512-1-	BOLT,RR SUSP LWR ARM ALL		<b>MB809335</b>	2	12X85	<b>41603B</b> 0512-1-	BRACKET,RR SUSP STABILIZER BAR ALL		<b>MR403773</b>	2	
<b>41309A</b> 0512-1-	ARM ASSY,RR SUSP,UPR ALL		<b>MR491911</b>	2		<b>41603C</b> 0512-1-	BRACKET,RR SUSP STABILIZER BAR ALL		<b>MR403777</b>	2	
<b>41325</b> 0512-1-	PLATE,RR SUSP LWR ARM ALL		<b>MR171026</b>	2		<b>41604B</b> 0512-1-	BOLT,RR SUSP ASSIST LINK ALL		<b>MU000390</b>	2	
<b>41350AL</b> 0512-1-	ARM ASSY,RR SUSP TRAILING,LH ALL		<b>MR519133</b>	1		<b>41604C</b> 0512-1-	BOLT,RR SUSP ASSIST LINK ALL		<b>MB809335</b>	2	12X85
<b>41350AR</b> 0512-1-	ARM ASSY,RR SUSP TRAILING,RH ALL		<b>MR519134</b>	1		<b>41605</b> 0512-1-	NUT,RR SUSP ASSIST LINK ALL		<b>MU431006</b>	2	FLANGE,12
<b>41383</b> 0512-1-	WASHER,INDEPENDENT RR SUSP ARM ALL		<b>MU000363</b>	2		<b>41617</b> 0512-1-	LINK,RR SUSP ASSIST ALL		<b>MR403485</b>	2	
<b>41387</b> 0512-1-	BUSHING,INDEPENDENT RR SUSP ARM ALL		<b>4120A001</b>	2		<b>41618A</b> 0512-1-	LINK ASSY,RR SUSP STABILIZER BAR ALL		<b>4056A037</b>	2	
<b>41388</b> 0512-1-	BOLT,INDEPENDENT RR SUSP ARM ALL		<b>MU000463</b>	2		<b>41631</b> 0512-1-	LINK KIT,RR SUSP STABILIZER BAR SIDE ALL		<b>MR476595</b>	2	
<b>41389</b> 0512-1-	WASHER,RR SUSP UPR ARM ALL		<b>MU000363</b>	2		<b>41636</b> 0512-1-	PLATE,RR SUSP ASSIST LINK ALL		<b>MR171026</b>	2	
<b>41391</b> 0512-1-	NUT,RR SUSP UPR ARM ALL		<b>MU431006</b>	4	FLANGE,12	<b>41697B</b> 0512-1-	NUT,RR SUSP STABILIZER ALL		<b>MS440504</b>	2	WASHER ASSEMBLED,10 COLORED
<b>41393B</b> 0512-1-	BOLT,RR SUSP UPR ARM ALL		<b>MU140035</b>	2		<b>41697C</b> 0512-1-	NUT,RR SUSP STABILIZER ALL		<b>MF434104</b>	4	FLANGE,8
<b>41393C</b> 0512-1-	BOLT,RR SUSP UPR ARM ALL		<b>MU000390</b>	2		<b>41698</b> 0512-1-	BOLT,RR SUSP STABILIZER ALL		<b>MF240080</b>	6	WASHER ASSEMBLED,10X20
<b>41395</b> 0512-1-	NUT,RR SUSP LWR ARM ALL		<b>MU431006</b>	4	FLANGE,12	<b>41699</b> 0512-1-	BUSHING,RR SUSP STABILIZER ALL		<b>MR589637</b>	2	
<b>41399B</b> 0512-1-	BUSHING,RR SUSP LWR ARM ALL		<b>MN100110</b>	2		<b>41971</b> 0512-1-	COLLAR,RR SUSP COIL SPRING ALL		<b>MR554373</b>	2	
<b>41399C</b> 0512-1-	BUSHING,RR SUSP LWR ARM ALL		<b>MN100110</b>	2		<b>41993</b> 0512-1-	WASHER,RR SUSP COIL SPRING ALL		<b>MB242360</b>	2	10.2
<b>41406B</b> 0512-1-0708-3	BUSHING,RR SUSP COIL SPRING ALL		<b>MR554369</b>	2		<b>41997B</b> 0512-1-	NUT,RR SUSP COIL SPRING ALL		<b>MU431006</b>	2	FLANGE,12
0709-1-	ALL		<b>MR594612</b>	2		<b>41997C</b> 0512-1-	NUT,RR SUSP COIL SPRING ALL		<b>MF434105</b>	4	FLANGE,10

### 34 -010 REAR SUSP

P N C	MODEL APPLICABLE	B P	PART NO. (REPL P/NO.)	Q Y	REMARKS
FROM-UP TO	TYPE DESCRIPTION				
<b>41997D</b> 0512-1-	NUT,RR SUSP COIL SPRING ALL		<b>MS440002</b>	2	SELF LOCKING.10
<b>41999</b> 0512-1-0710-3	BOLT,RR SUSP COIL SPRING ALL		<b>MU140035</b>	2	
0711-1-	ALL		<b>MU001123</b>	2	

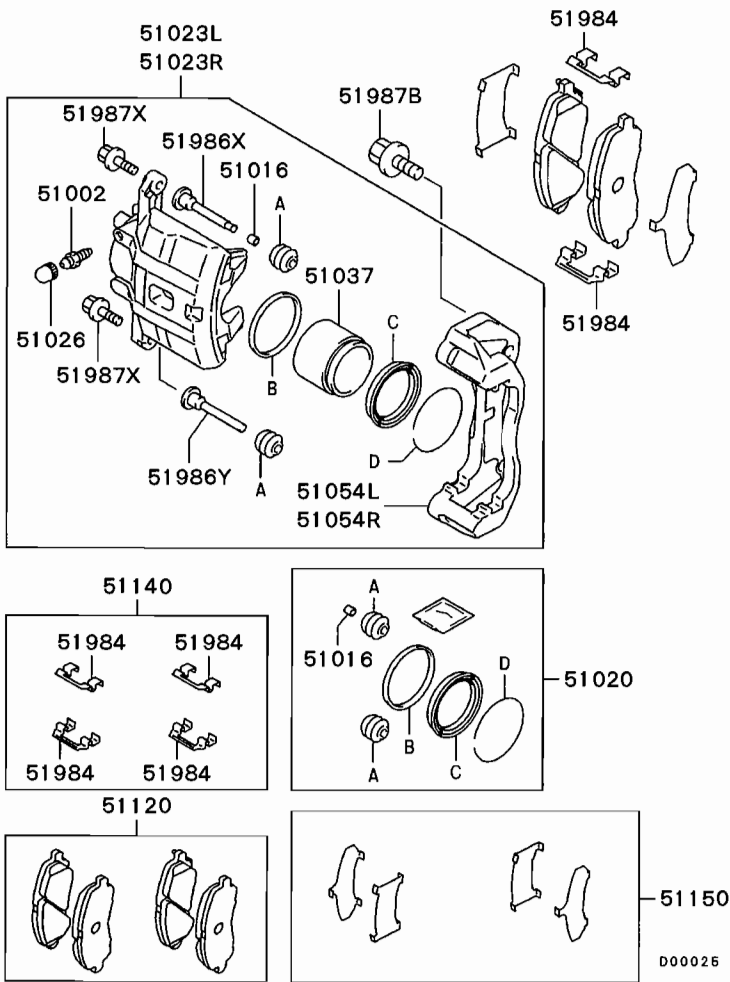
### 35 -030 PARKING BRAKE CONTROL



000082

P N C	MODEL APPLICABLE		PART NO. (REPL P/NO.)	Q Y	REMARKS
	FROM-UP TO	TYPE			
<b>50265L</b>					
0512-1-	ALL		<b>MN102171</b>	1	
<b>50265R</b>					
0512-1-	ALL		<b>MN102172</b>	1	
<b>50275</b>					
0512-1-	ALL		<b>MB520849</b>	2	
<b>50275B</b>					
0512-1-	ALL		<b>MR961235</b>	1	
<b>50275D</b>					
0512-1-	ALL		<b>MB256379</b>	2	
<b>50275G</b>					
0512-1-	ALL		<b>MB950992</b>	1	
<b>50298B</b>					
0512-1-0612-3	ALL		<b>MR205455</b>	1	
<b>50313A</b>					
0512-1-0804-3	CS6A	SNDERDW	<b>MN102750YA</b>	1	BEIGE INT:62F
0512-1-	CS6A	SNJERDW	<b>MN102750HB</b>	1	D-GRAY INT:40X,63P
0805-1-	CS6A	SNDERDW SNDERDW2	<b>MN102750YA</b>	1	BEIGE INT:41Y,42Y
<b>50457</b>					
0512-1-	ALL		<b>MR527085</b>	1	
<b>50908</b>					
0512-1-0712-3	ALL		<b>MF520002</b>	2	7
<b>50971</b>					
0512-1-0706-3	ALL		<b>MR955683</b>	2	
0707-1-	ALL		<b>4820A119</b>	2	
<b>50976B</b>					
0512-1-0606-3	ALL		<b>MS240125</b>	2	WASHER ASSEMBLED,8X20
<b>50976C</b>					
0512-1-	ALL		<b>MS240085</b>	4	WASHER ASSEMBLED,8X20
<b>50989B</b>					
0512-1-	ALL		<b>MS240115</b>	3	WASHER ASSEMBLED,8X20 COLORED
0608-1-	ALL		<b>MS240140</b>	3	OR WASHER ASSEMBLED,8X25 COLORED
<b>50989C</b>					
0512-1-	ALL		<b>MF240001</b>	1	OR WASHER ASSEMBLED,5X10

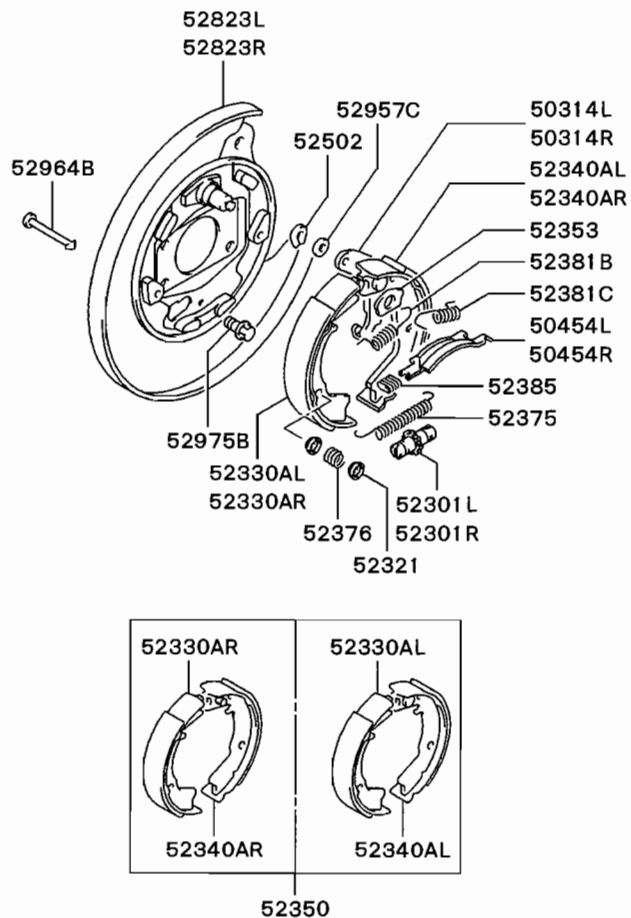
### 35 -110 FRONT WHEEL BRAKE



P N C	MODEL APPLICABLE		B P	PART NO. (REPL P/NO.)	Q ↓	RE MARKS
	FROM/UP TO	TYPE				
<b>51002</b> 0512-1- ALL				<b>MB928290</b>	2	M7
<b>51016</b> 0512-1- ALL				<b>MB699264</b>	2	
<b>51020</b> 0512-1- ALL				<b>MR527672</b>	2	
<b>51023L</b> 0512-1- ALL				<b>MR955063</b>	1	
<b>51023R</b> 0512-1- ALL				<b>MR955064</b>	1	
<b>51026</b> 0512-1-0702-2 ALL				<b>MV026287</b>	2	
<b>51037</b> 0512-1- ALL				<b>4610A017</b>	2	
<b>51037</b> 0512-1- ALL				<b>MR527609</b>	2	
<b>51054L</b> 0512-1- ALL				<b>MR569361</b>	1	
<b>51054R</b> 0512-1- ALL				<b>MR569361</b>	1	
<b>51120</b> 0512-1- ALL				<b>MR527674</b>	1	
<b>51140</b> 0512-1- ALL				<b>MR527673</b>	1	
<b>51150</b> 0512-1- ALL				<b>MR527676</b>	1	
<b>51984</b> 0512-1- ALL				<b>MR527611</b>	4	
<b>51986X</b> 0512-1- ALL				<b>MR407742</b>	2	LOCK
<b>51986Y</b> 0512-1- ALL				<b>MR407741</b>	2	GUIDE
<b>51987B</b> 0512-1- ALL				<b>MR205902</b>	4	FLANGE, 12X25.5 10T
<b>51987X</b> 0512-1- ALL				<b>MR407743</b>	4	M8

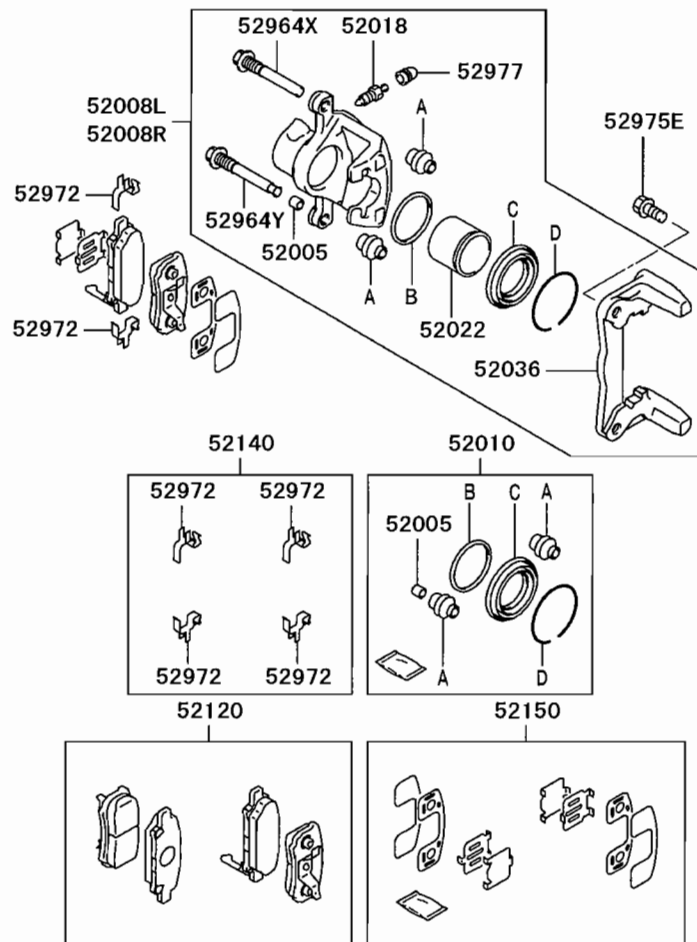
# 35 -160 REAR WHEEL BRAKE

CS6A: PARKING BRAKE



D00004A

CS6A: CALIPER DISASSEMBLED PARTS



D00005



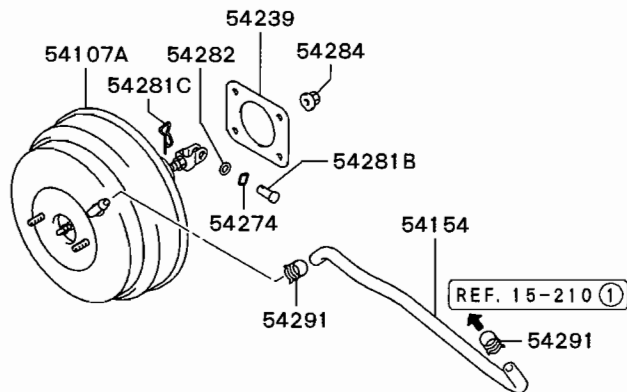
### 35 -160 REAR WHEEL BRAKE

P N C		MODEL APPLICABLE		Q	REMARKS	P N C		MODEL APPLICABLE		Q	REMARKS
FROM-UP TO	TYPE	DESCRIPTION	DESCRIPTION			FROM-UP TO	TYPE	DESCRIPTION	DESCRIPTION		
<b>50314L</b> 0512-1-	LEVER,PARKING BRAKE OPERATING,LH ALL	Y	MR129877 (4600A154)	1		<b>52340AL</b> 0512-1-	SHOE ASSY,RR BRAKE SECONDARY,LH ALL	Y	MR129855 (MB668907)	1	
<b>50314R</b> 0512-1-	LEVER,PARKING BRAKE OPERATING,RH ALL	Y	MR129878 (4600A155)	1		<b>52340AR</b> 0512-1-	SHOE ASSY,RR BRAKE SECONDARY,RH ALL	Y	MR129856 (MB668908)	1	
<b>50454L</b> 0512-1-	STRUT,PARKING BRAKE OPERATING LEVER,LH ALL	Y	MB858934 (4600A156)	1		<b>52350</b> 0512-1-	SHOE SET,RR BRAKE ALL		MR391631	1	
<b>50454R</b> 0512-1-	STRUT,PARKING BRAKE OPERATING LEVER,RH ALL	Y	MB858935 (4600A157)	1		<b>52353</b> 0512-1-	PLATE,RR BRAKE SHOE GUIDE ALL		MB520472	2	
<b>52005</b> 0512-1-	BUSHING,RR BRAKE ALL		MB699264	2		<b>52375</b> 0512-1-	SPRING,RR BRAKE SHOE AUTO ADJUSTER ALL		MB928874	2	
<b>52008L</b> 0512-1-	CALIPER KIT,RR BRAKE,LH ALL		MR955065	1		<b>52376</b> 0512-1-	SPRING,RR BRAKE SHOE HOLD-DOWN ALL		MB520470	4	
<b>52008R</b> 0512-1-	CALIPER KIT,RR BRAKE,RH ALL		MR955066	1		<b>52381B</b> 0512-1-	SPRING,RR BRAKE SHOE RETURN ALL		MB857298	2	
<b>52010</b> 0512-1-	SEAL KIT,RR BRAKE CALIPER ALL		MR955067	2		<b>52381C</b> 0512-1-	SPRING,RR BRAKE SHOE RETURN ALL		MB857299	2	
<b>52018</b> 0512-1-	BLEEDER,RR BRAKE CALIPER ALL		MB928290	2	M7	<b>52385</b> 0512-1-	SPRING,RR BRAKE SHOE TO STRUT ALL		MB520465	2	
<b>52022</b> 0512-1-	PISTON,RR BRAKE CALIPER ALL		MB857613	2		<b>52502</b> 0512-1-	RETAINER,RR BRAKE CHAMBER ALL		MA151648	2	
<b>52036</b> 0512-1-0707-3	SUPPORT,RR BRAKE CALIPER ALL		MR569368	2		<b>52823L</b> 0512-1-	PLATE,RR BRAKE BACKING,LH ALL		MR569389	1	
<b>52120</b> 0512-1-	PAD SET,RR BRAKE ALL		4605A210	2		<b>52823R</b> 0512-1-	PLATE,RR BRAKE BACKING,RH ALL		MR569384	1	
<b>52140</b> 0512-1-	CLIP SET,RR BRAKE ALL		4605A336	1		<b>52957C</b> 0512-1-	WASHER,RR BRAKE ALL		MA151647	2	WAVE,8.4
<b>52150</b> 0512-1-	SHIM SET,RR BRAKE ALL		MR510545 (MR493177)	1		<b>52964B</b> 0512-1-	PIN,RR BRAKE ALL		MB520471	4	HOLD,3X33.5
<b>52301L</b> 0512-1-	ADJUSTER,RR BRAKE SHOE SLACK,LH ALL		MN102873	1	SHIM(4X2)	<b>52964X</b> 0512-1-0707-3	PIN,RR BRAKE ALL	Y	MR569369 (4605A211)	2	GUIDE
<b>52301R</b> 0512-1-	ADJUSTER,RR BRAKE SHOE SLACK,RH ALL		MB520459	1		0708-1-	ALL		4605A212	2	LOCK
<b>52321</b> 0512-1-	CUP,RR BRAKE SHOE SPRING ALL		MB520459	1		<b>52964Y</b> 0512-1-0707-3	PIN,RR BRAKE ALL	Y	MR569370 (4605A212)	2	LOCK
<b>52330AL</b> 0512-1-	SHOE ASSY,RR BRAKE PRIMARY,LH ALL	Y	MR129854 (MB668906)	1		0708-1-	ALL		4605A211	2	GUIDE
<b>52330AR</b> 0512-1-	SHOE ASSY,RR BRAKE PRIMARY,RH ALL	Y	MR129854 (MB668906)	1		<b>52972</b> 0512-1-	CLIP,RR BRAKE ALL		MR493150	4	
						<b>52975B</b> 0512-1-	BOLT,RR BRAKE ALL		MR205904	6	FLANGE,10X11
						<b>52975E</b> 0512-1-	BOLT,RR BRAKE ALL		MR249200	4	FLANGE,10X16.5
						<b>52977</b> 0512-1-0707-3	CAP,RR BRAKE ALL		MV026287	2	

### 35 -160 REAR WHEEL BRAKE

P N C	MODEL APPLICABLE		P/N	PART NO. (REPL P/NO.)	Q T	REMARKS
FROM-UP TO	TYPE	DESCRIPTION				
<b>52977</b> 0708-1-	CAP,RR BRAKE ALL			<b>4610A017</b>	2	

### 35 -230 POWER BRAKE BOOSTER

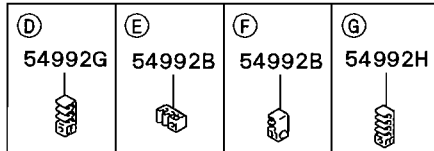
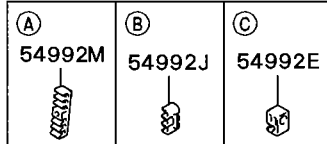
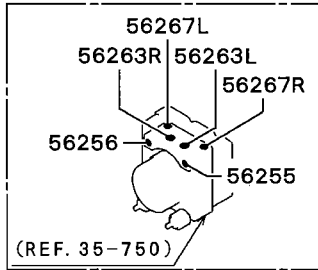
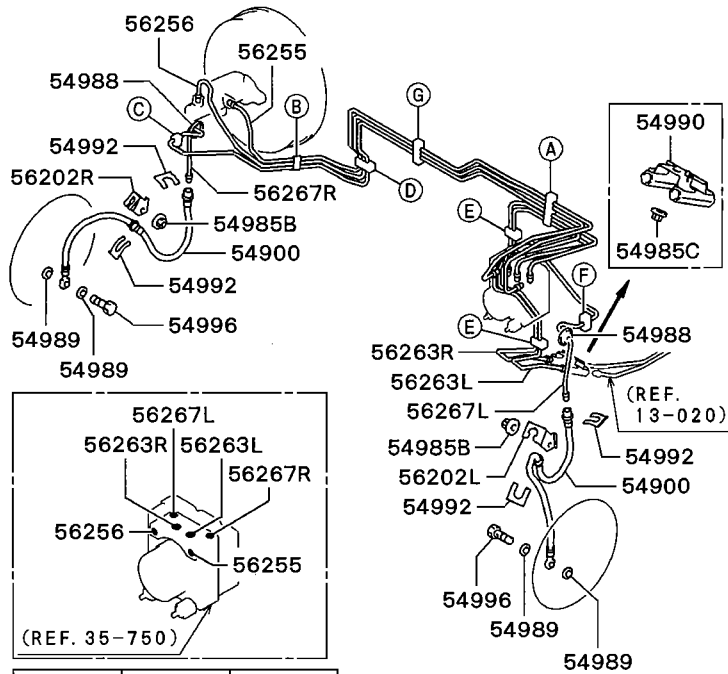


D00161

P N C	MODEL APPLICABLE		B P	PART NO. (REPL P/NO.)	Q T Y	RE M A R K S
	FROM/UP TO	TYPE				
<b>54107A</b>						
0512-1-				<b>MR527619</b>	1	8"×9"
<b>54154</b>						
0512-1-			Y	<b>MR493327</b> <b>(MR493931)</b>	1	BLACK,RUBBER W/VALVE
<b>54239</b>						
0512-1-				<b>MB928711</b>	1	
<b>54274</b>						
0512-1-0704-3				<b>MF451105</b>	1	WAVE,10
<b>54281B</b>						
0512-1-				<b>MF473492</b>	1	CLEVIS,10X23
<b>54281C</b>						
0512-1-				<b>MB858800</b>	1	SNAP,10
<b>54282</b>						
0512-1-0704-3				<b>MF520005</b>	1	D=10
<b>54284</b>						
0512-1-				<b>MS440503</b>	4	WASHER ASSEMBLED,8
<b>54291</b>						
0512-1-				<b>MB058859</b>	2	15

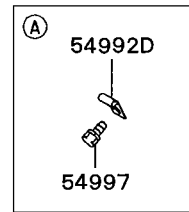
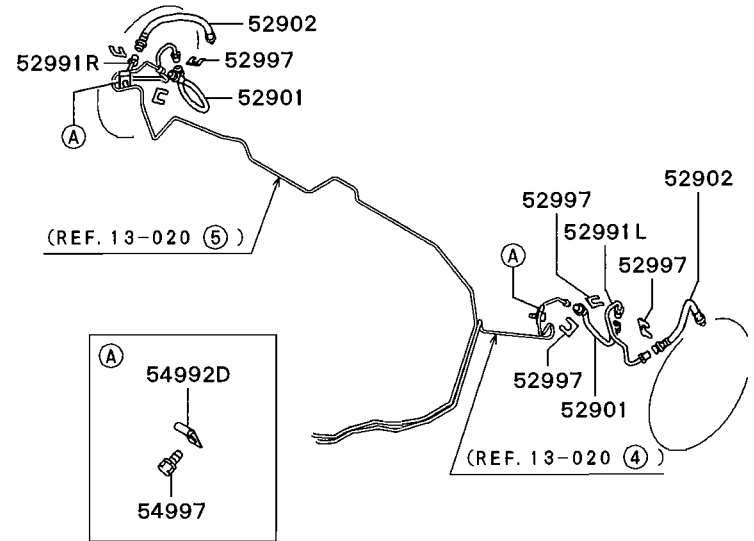
# 35 -310 BRAKE LINE

CS6A:FRONT



000093C

CS6A:REAR

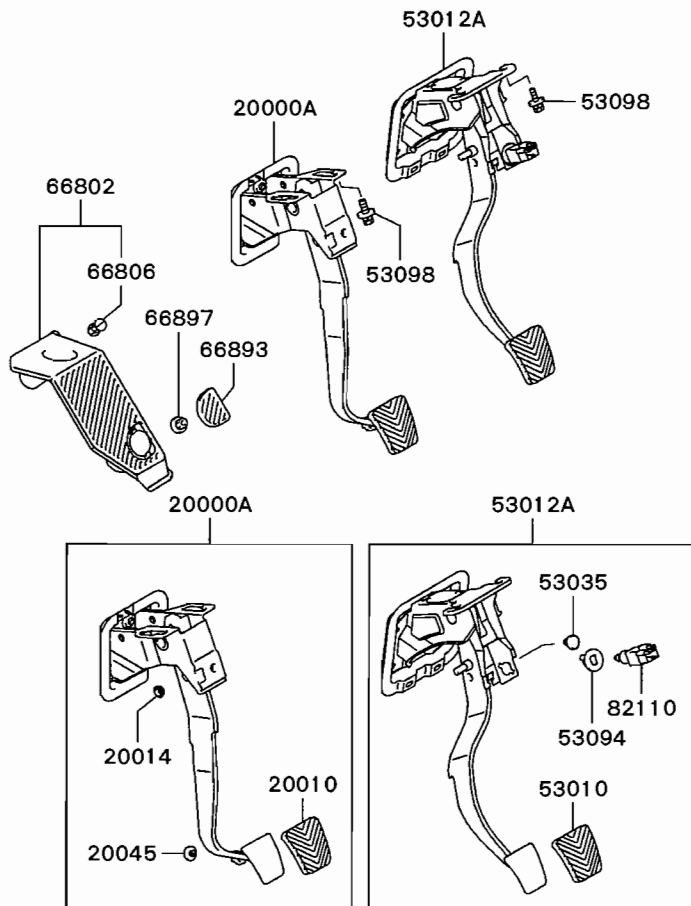


000158A

### 35 -310 BRAKE LINE

P N C		MODEL APPLICABLE		P N C	Q T Y	REMARKS	P N C		MODEL APPLICABLE		P N C	Q T Y	REMARKS
FROM-UP TO	TYPE	DESCRIPTION	PART NO. (REPL P/NO.)				FROM-UP TO	TYPE	DESCRIPTION	PART NO. (REPL P/NO.)			
<b>52901</b>		HOSE,RR BRAKE BODY SIDE						<b>56255</b>		TUBE,BRAKE M/CYL PRIMARY			
0512-1-	ALL		<b>MR449101</b>	2	280			0512-1-	ALL		<b>MR493295</b>	1	
<b>52902</b>		HOSE,RR BRAKE WHEEL SIDE						<b>56256</b>		TUBE,BRAKE M/CYL SECONDARY			
0512-1-	ALL		<b>MR493450</b>	2	245			0512-1-	ALL		<b>MR493296</b>	1	
<b>52991L</b>		TUBE,RR AXLE BRAKE,LH						<b>56263L</b>		TUBE,BRAKE MAIN,FR LH			
0512-1-	ALL		<b>MR493468</b>	1				0512-1-	ALL		<b>MR493279</b>	1	
<b>52991R</b>		TUBE,RR AXLE BRAKE,RH						<b>56263R</b>		TUBE,BRAKE MAIN,FR RH			
0512-1-	ALL		<b>MR493469</b>	1				0512-1-	ALL		<b>MR493280</b>	1	
<b>52997</b>		CLIP,RR AXLE BRAKE TUBE						<b>56267L</b>		TUBE,FR BRAKE,LH			
0512-1-	ALL		<b>MA431825</b>	6	13			0512-1-	ALL		<b>MR493277</b>	1	
<b>54900</b>		HOSE,FR BRAKE						<b>56267R</b>		TUBE,FR BRAKE,RH			
0512-1-	ALL		<b>MR407889</b>	2	300*257			0512-1-	ALL		<b>MR493278</b>	1	
<b>54985B</b>		NUT,BRAKE FLUID LINE											
0512-1-	ALL		<b>MS440503</b>	2		WASHER ASSEMBLED,8							
<b>54985C</b>		NUT,BRAKE FLUID LINE											
0512-1-	ALL		<b>MU431508</b>	1	8								
<b>54988</b>		GROMMET,BRAKE FLUID LINE											
0512-1-	ALL		<b>MB316561</b>	2	24.5								
<b>54989</b>		GASKET,BRAKE FLUID LINE											
0512-1-	ALL		<b>MA111832</b>	4									
<b>54990</b>		JOINT,BRAKE FLUID LINE											
0512-1-	ALL		<b>MR510683</b>	1	2-WAY								
<b>54992</b>		CLIP,BRAKE FLUID LINE											
0512-1-	ALL		<b>MA431825</b>	4	13								
<b>54992B</b>		CLIP,BRAKE FLUID LINE											
0512-1-	ALL		<b>MB895797</b>	3	4.8-4.8								
<b>54992D</b>		CLIP,BRAKE FLUID LINE											
0512-1-	ALL		<b>MB344587</b>	2	4.76								
<b>54992E</b>		CLIP,BRAKE FLUID LINE											
0512-1-	ALL		<b>MR129462</b>	1	4.8								
<b>54992G</b>		CLIP,BRAKE FLUID LINE											
0512-1-	ALL		<b>MR128780</b>	1	4.8-4.8-4.8								
<b>54992H</b>		CLIP,BRAKE FLUID LINE											
0512-1-	ALL		<b>MR205046</b>	1	4.8-4.8-4.8-4.8								
<b>54992J</b>		CLIP,BRAKE FLUID LINE											
0512-1-	ALL		<b>MB344693</b>	1	4.8-4.8-4.8								
<b>54992M</b>		CLIP,BRAKE FLUID LINE											
0512-1-	ALL		<b>MR493270</b>	1									
<b>54996</b>		EYEBOLT,BRAKE FLUID LINE											
0512-1-	ALL		<b>MR249625</b>	2	10X21								
<b>54997</b>		BOLT,BRAKE FLUID LINE											
0512-1-	ALL		<b>MS240121</b>	2		WASHER ASSEMBLED,6X16							
<b>56202L</b>		BRACKET,BRAKE HOSE,LH											
0512-1-	ALL		<b>MR407890</b>	1									
<b>56202R</b>		BRACKET,BRAKE HOSE,RH											
0512-1-	ALL		<b>MR407891</b>	1									

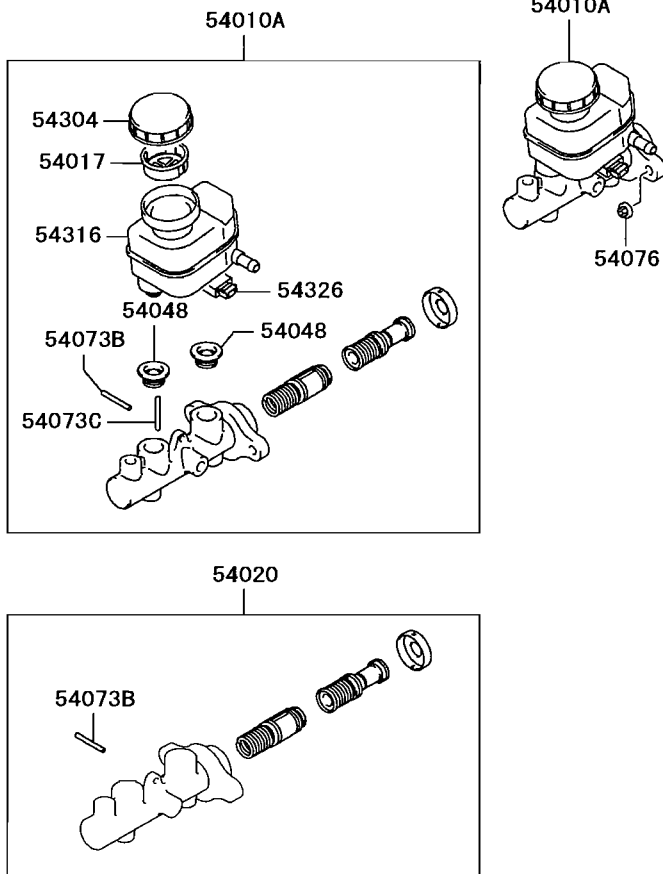
### 35 -610 BRAKE & CLUTCH PEDAL



D00022D

P N C	MODEL APPLICABLE		PART NO. (REPL P/NO.)	Q Y	REMARKS
	FROM-UP TO	TYPE			
<b>20000A</b>					
0512-1-0804-3	CS6A	ALL	<b>MR493807</b>	1	
0805-1-	CS6A	SNJERDW	<b>MR493807</b>	1	
0805-1-	CS6A	SNJERDW	<b>2340A052</b> (MR493807)	1	
<b>20010</b>					
0512-1-0804-3	CS6A	ALL	<b>MB193884</b>	1	62X58-40
0805-1-	CS6A	SNJERDW	<b>MB193884</b>	1	62X58-40
0805-1-	CS6A	SNJERDW	<b>2340A029</b>	1	
<b>20014</b>					
0512-1-	ALL	ALL	<b>MB555171</b>	1	10X8
<b>20045</b>					
0512-1-	ALL	ALL	<b>MR235515</b>	1	D=18
<b>53010</b>					
0512-1-0804-3	CS6A	ALL	<b>MB193884</b>	1	62X58-40
0805-1-	CS6A	SNJERDW	<b>MB193884</b>	1	62X58-40
0805-1-	CS6A	SNJERDW	<b>2340A029</b>	1	
<b>53012A</b>					
0512-1-0804-3	CS6A	ALL	<b>MR493801</b>	1	
0805-1-	CS6A	SNJERDW	<b>MR493801</b>	1	
0805-1-	CS6A	SNJERDW	<b>4620A055</b>	1	
<b>53035</b>					
0512-1-	ALL	ALL	<b>MR235515</b>	1	D=18
<b>53094</b>					
0512-1-	ALL	ALL	<b>MR172162</b>	1	
<b>53098</b>					
0512-1-	ALL	ALL	<b>MS240125</b>	4	WASHER ASSEMBLED,8X20
<b>66802</b>					
0512-1-	ALL	ALL	<b>MR417199</b>	1	
<b>66806</b>					
0512-1-	ALL	ALL	<b>MR417198</b>	1	
<b>66893</b>					
0512-1-	ALL	ALL	<b>MR206570</b>	1	
<b>66897</b>					
0512-1-	ALL	ALL	<b>MU431014</b>	1	8
<b>82110</b>					
0512-1-	ALL	ALL	<b>MR228924</b>	1	2P. 180W

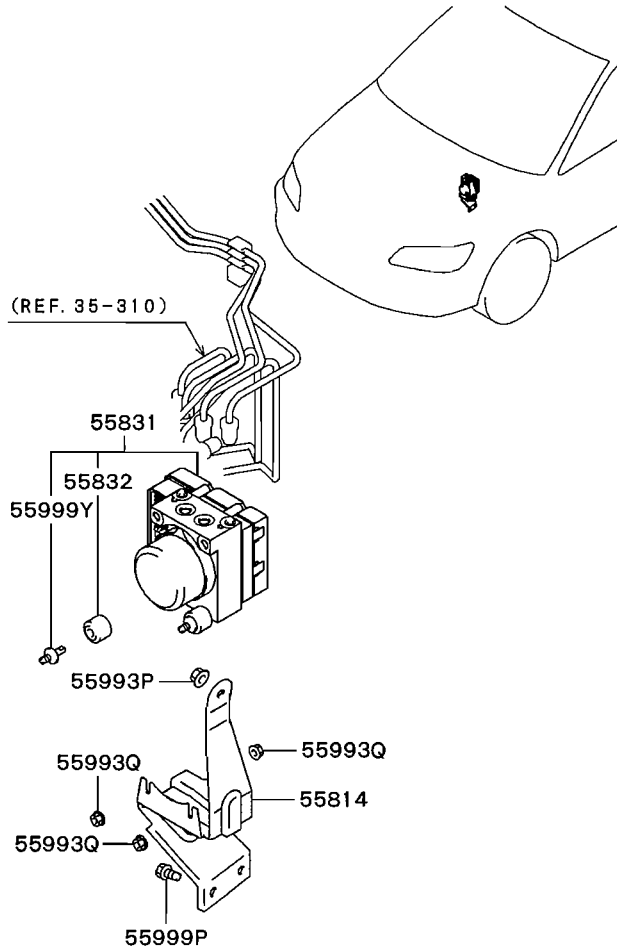
# 35 -630 BRAKE MASTER CYLINDER



D00056

P N C	MODEL APPLICABLE		B P	PART NO. (REPL P/NO.)	Q Y	RE MARKS
	FROM-UP TO	TYPE				
<b>54010A</b>						
0512-1-				<b>4625A022</b>	1	
ALL						
<b>54017</b>						
0512-1-				<b>MR569000</b>	1	
ALL						
<b>54020</b>						
0512-1-				<b>MN116985</b>	1	1*
ALL						
<b>54048</b>						
0512-1-				<b>MR244929</b>	2	
ALL						
<b>54073B</b>						
0512-1-				<b>MR334065</b>	1	SPRING
ALL						
<b>54073C</b>						
0512-1-				<b>MR334068</b>	1	
ALL						
<b>54076</b>						
0512-1-				<b>MR129264</b>	2	WASHER ASSEMBLED.8
ALL						
<b>54304</b>						
0512-1-				<b>MR475354</b>	1	
ALL						
<b>54316</b>						
0512-1-				<b>MR569039</b>	1	
ALL						
<b>54326</b>						
0512-1-				<b>MR334064</b>	1	
ALL						

# 35-750 MODULATOR

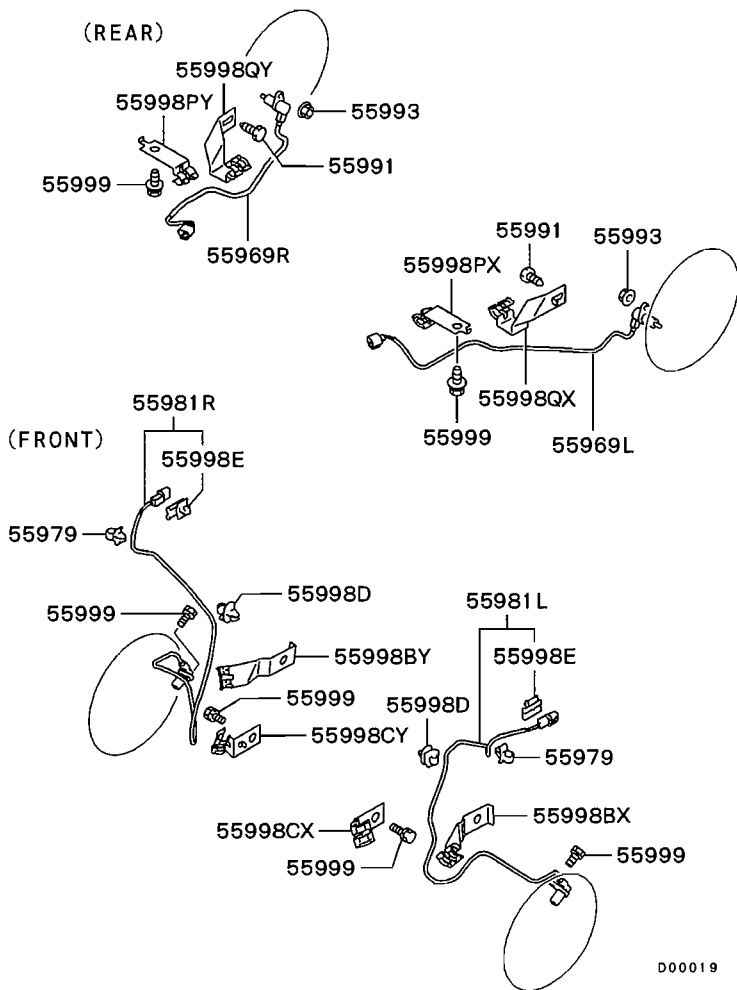


3ER9A93

P N C	MODEL APPLICABLE		B O D Y	PART NO. (REPL P/NO.)	Q T Y	R E M A R K S
	FROM-UP TO	TYPE				
<b>55814</b>						
0512-1-				<b>MR407860</b>	1	
<b>55831</b>						
0512-1-				<b>MN102184</b>	1	
<b>55832</b>						
0512-1-				<b>MR493375</b>	3	
<b>55993P</b>						
0512-1-				<b>MU431508</b>	1	8
<b>55993Q</b>						
0512-1-				<b>MS440502</b>	3	WASHER ASSEMBLED,6 WASHER(14)
<b>55999P</b>						
0512-1-				<b>MF241251</b>	2	WASHER ASSEMBLED,8X16
<b>55999Y</b>						
0512-1-				<b>MR493376</b>	3	



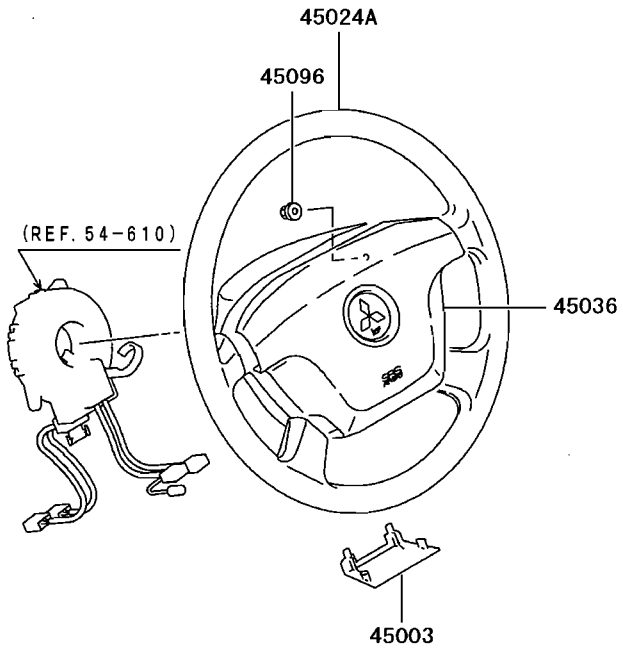
### 35 -770 ANTI-SKID BRAKE SENSOR



P N C	MODEL APPLICABLE		REPL	PART NO. (REPL P/NO.)	QTY	REMARKS
	FROM-UP TO	TYPE				
<b>55969L</b>						
0512-1-				<b>MR569781</b>	1	
<b>55969R</b>						
0512-1-				<b>MR407821</b>	1	
<b>55979</b>						
0512-1-				<b>4670A156</b>	2	
<b>55981L</b>						
0512-1-				<b>MR527311</b>	1	
<b>55981R</b>						
0512-1-				<b>MR527312</b>	1	
<b>55991</b>						
0512-1-				<b>MS450241</b>	2	TAPPING,6X16 COLORED
<b>55993</b>						
0512-1-				<b>MS440503</b>	2	WASHER ASSEMBLED.8
<b>55998BX</b>						
0512-1-				<b>MR407893</b>	1	LH
<b>55998BY</b>						
0512-1-				<b>MR407894</b>	1	RH
<b>55998CX</b>						
0512-1-				<b>MR390306</b>	1	
<b>55998CY</b>						
0512-1-				<b>MR390305</b>	1	
<b>55998D</b>						
0512-1-				<b>MU800001</b>	2	7X12 L140
<b>55998E</b>						
0512-1-				<b>MU802644</b>	2	
<b>55998PX</b>						
0512-1-				<b>MR569783</b>	1	
<b>55998PY</b>						
0512-1-				<b>MR249994</b>	1	
<b>55998QX</b>						
0512-1-				<b>MR449115</b>	1	LH
<b>55998QY</b>						
0512-1-				<b>MR449116</b>	1	RH
<b>55999</b>						
0512-1-				<b>MS240085</b>	6	WASHER ASSEMBLED.8X20

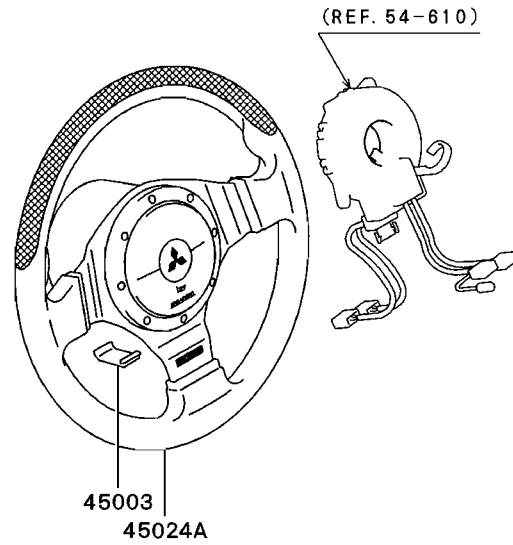
# 37-010 STEERING WHEEL

CS6A:4SPOKE



D00009

CS6A:3SPOKE

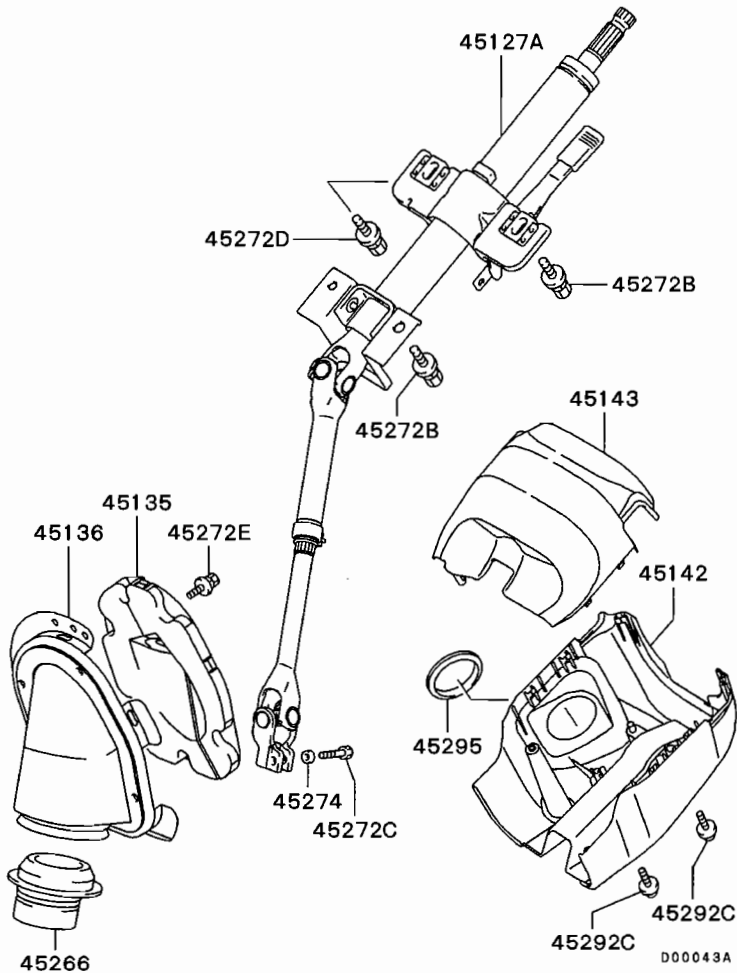


D00014B

## 37 -010 STEERING WHEEL

P N C	MODEL APPLICABLE	P/R	PART NO. (REPL P/NO.)	Q T	RE M A R K S
FROM-UP TO	TYPE DESCRIPTION				
<b>45003</b>	<b>COVER,STEERING WHEEL,LWR</b>				
0512-1-0804-3	CS6A SNJERDW		<b>MR449914</b>	1	BLACK INT.63P
0512-1-0804-3	CS6A SNJERDW		<b>MR647788</b>	1	BEIGE INT.62F
0805-1-	CS6A SNJERDW		<b>MR569203XA</b>	1	BLACK INT.40X
0805-1-	CS6A SNJERDW SNJERDW2		<b>MR647788</b>	1	BEIGE INT.41Y,42Y
<b>45024A</b>	<b>WHEEL ASSY,STEERING</b>				
0512-1-0804-3	CS6A SNJERDW		<b>MR449911</b>	1	4 SPOKE,BLACK INT.63P
0512-1-0804-3	CS6A SNJERDW		<b>MR647755</b>	1	4 SPOKE,BEIGE,LEATHER INT.62F
0805-1-	CS6A SNJERDW		<b>MN100378XA</b>	1	3 SPOKE,BLACK,MOMO INT.40X
0805-1-	CS6A SNJERDW SNJERDW2		<b>MR647755</b>	1	4 SPOKE,BEIGE,LEATHER INT.41Y,42Y
<b>45036</b>	<b>MODULE,AIR BAG</b>				
0512-1-0804-3	CS6A SNJERDW		<b>MR626730</b>	1	BLACK,PYRO TYPE INT.63P
0512-1-0804-3	CS6A SNJERDW		<b>MR647759</b>	1	BEIGE,PYRO TYPE INT.62F
0805-1-	CS6A SNJERDW SNJERDW2		<b>MR647759</b>	1	BEIGE,PYRO TYPE INT.41Y, 42Y
<b>45096</b>	<b>NUT,STEERING WHEEL</b>				
0512-1-0804-3	CS6A ALL		<b>4400A384</b>	3	
0805-1-	CS6A SNJERDW SNJERDW2		<b>4400A384</b>	3	

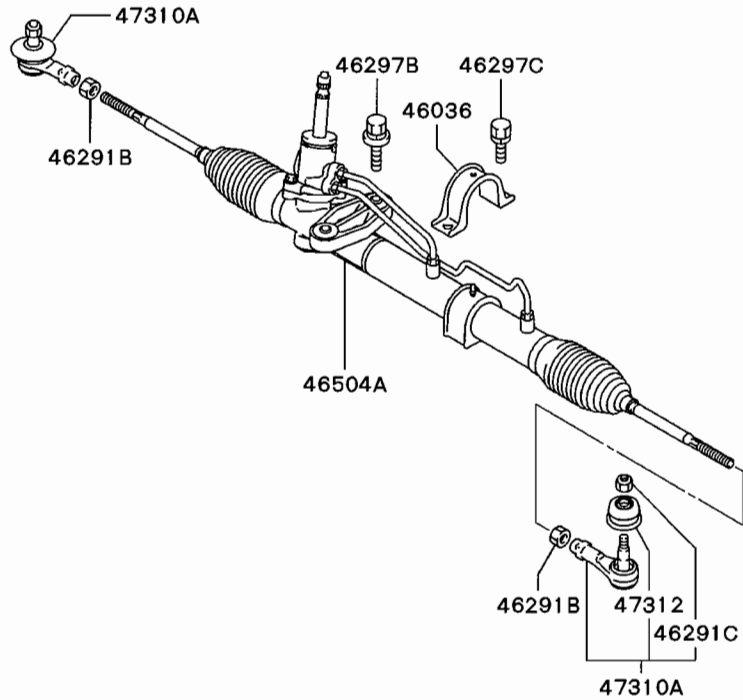
### 37 -020 STEERING COLUMN & COVER



P N C	MODEL APPLICABLE		P	PART NO. (REPL. P/NO.)	Q T Y	REMARKS
	FROM-UP TO	TYPE				
<b>45127A</b> 0512-1-				<b>COLUMN ASSY,STEERING</b>	Y	
				ALL		
<b>45135</b> 0512-1-				<b>COVER,STEERING COLUMN</b>		
				ALL		
<b>45136</b> 0512-1-				<b>COVER,STEERING COLUMN DASH PANEL</b>		
				ALL		
<b>45142</b> 0512-1-0804-3		CS6A		<b>COVER,STEERING COLUMN,LWR</b>		
				SNDERDW		1 BEIGE INT:62F
				SNJERDW		1 BLACK INT:40X,63P
				SNDERDW SNDERDW2		1 BEIGE INT:41Y,42Y
<b>45143</b> 0512-1-0804-3		CS6A		<b>COVER,STEERING COLUMN,UPR</b>		
				SNDERDW		1 BEIGE INT:62F
				SNJERDW		1 BLACK INT:40X,63P
				SNDERDW SNDERDW2		1 BEIGE INT:41Y,42Y
<b>45266</b> 0512-1-				<b>GROMMET,STEERING COLUMN</b>		
				ALL		
<b>45272B</b> 0512-1-				<b>BOLT,STEERING COLUMN</b>		
				ALL		3 WASHER ASSEMBLED,8X30 COLORED
<b>45272C</b> 0512-1-				<b>BOLT,STEERING COLUMN</b>		
				ALL		1 8X28
<b>45272D</b> 0512-1-				<b>BOLT,STEERING COLUMN</b>		
				ALL		1 WASHER ASSEMBLED,8X30 COLORED
<b>45272E</b> 0512-1-				<b>BOLT,STEERING COLUMN</b>		
				ALL		4 WASHER ASSEMBLED(18),6X20
<b>45274</b> 0512-1-				<b>WASHER,STEERING COLUMN</b>		
				ALL		1 SPRING,8
<b>45292C</b> 0512-1-				<b>SCREW,STEERING COLUMN COVER</b>		
				ALL		3 TAPPING,5X20
<b>45295</b> 0512-1-0804-3				<b>GROMMET,STEERING COLUMN COVER</b>		
				ALL		1
				0805-1-		1 48

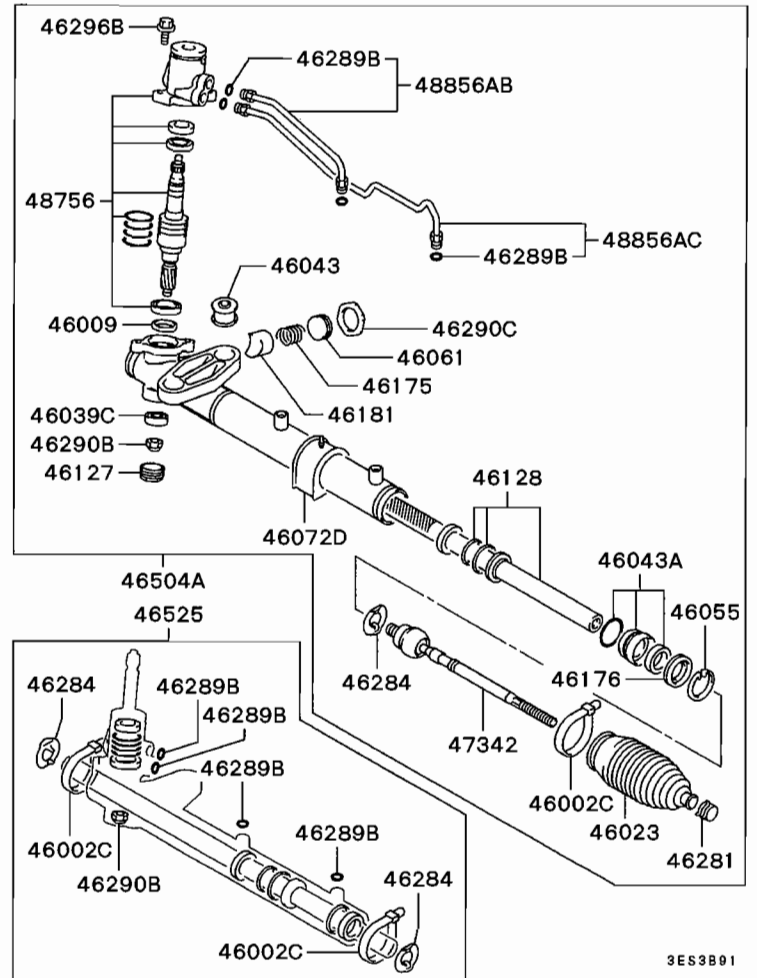
# 37 -050 STEERING GEAR

CS6A:INSTALLING PARTS



3E53A93

CS6A:DISASSEMBLED PARTS



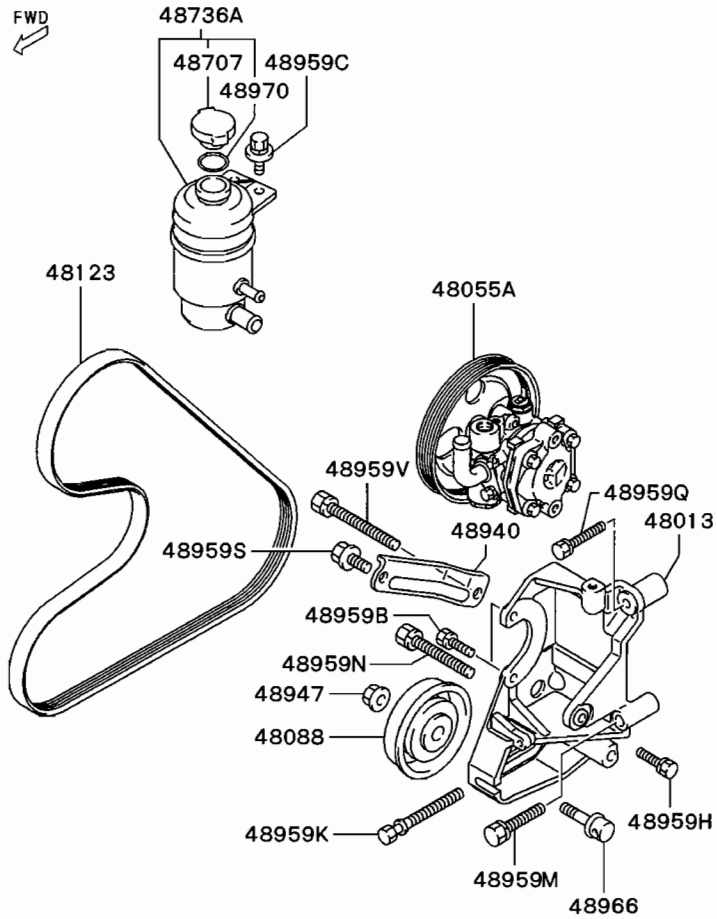
3E53B91

### 37 -050 STEERING GEAR

P N C		MODEL APPLICABLE		QTY	REMARKS	P N C		MODEL APPLICABLE		QTY	REMARKS
FROM-UP TO	TYPE	DESCRIPTION	PART NO. (REPL. P/NO.)			FROM-UP TO	TYPE	DESCRIPTION	PART NO. (REPL. P/NO.)		
<b>46002C</b> 0512-1-	BAND,STEERING GEAR			2		<b>46291C</b> 0512-1-	NUT,STEERING GEAR			2	SELF LOCKING,10
<b>46009</b> 0512-1-	BEARING,STEERING GEAR PINION SHAFT,UPR		<b>MR491362</b>	1		<b>46296B</b> 0512-1-	BOLT,STEERING GEAR INR		<b>MS440002</b>	2	FLANGE,8X20
<b>46023</b> 0512-1-	BELLOWS,STEERING GEAR		<b>MB815379</b>	2		<b>46297B</b> 0512-1-0710-3	BOLT,STEERING GEAR		<b>MF140425</b>	2	WASHER ASSEMBLED,12X50
<b>46036</b> 0512-1-	BRACKET,STEERING GEAR MOUNTING ROD SIDE		<b>MR491361</b>	1		0711-1-	ALL		<b>MB532399</b>	2	
<b>46039C</b> 0512-1-	BEARING,STEERING GEAR PINION		<b>MR403502</b>	1		<b>46297C</b> 0512-1-	BOLT,STEERING GEAR		<b>MU000895</b>	2	
<b>46043</b> 0512-1-	BUSHING,STEERING GEAR		<b>MB870071</b>	2		<b>46504A</b> 0512-1-0702-3	GEAR & LINK ASSY,P/S		<b>MU241042</b>	2	WASHER ASSEMBLED,12X30
<b>46043A</b> 0512-1-	BUSHING ASSY,STEERING GEAR		<b>MR403503</b>	1			ALL	Y	<b>MR491330</b> <b>(4410A313)</b>	1	
<b>46055</b> 0512-1-0702-3	CLIP,STEERING GEAR PISTON		<b>MR491356</b>	1		0703-1-	ALL		<b>4410A313</b>	1	
0703-1-			<b>MR103277</b>	1		<b>46525</b> 0512-1-	SEAL KIT,P/S GEAR		<b>MN101886</b>	1	
<b>46061</b> 0512-1-	COVER,STEERING GEAR RACK SUPPORT		<b>MR589645</b>	1		<b>47310A</b> 0512-1-0805-3	END ASSY,TIE ROD		<b>MR476457</b>	2	
<b>46072D</b> 0512-1-	CUSHION,STEERING GEAR		<b>MR297968</b>	1		0806-1-	ALL		<b>4422A054</b>	2	
<b>46127</b> 0512-1-	PLUG,STEERING GEAR		<b>MR491363</b>	1		<b>47312</b> 0512-1-0805-3	COVER,TIE ROD END		<b>MB616023</b>	2	
<b>46128</b> 0512-1-	RACK,STEERING GEAR		<b>MB243336</b>	1		<b>47342</b> 0512-1-	TIE ROD,STEERING		<b>MR491358</b>	2	
<b>46175</b> 0512-1-	SPRING,STEERING GEAR RACK SUPPORT		<b>MR554311</b>	1		<b>48756</b> 0512-1-0702-3	VALVE KIT,P/S GEAR CONTROL		<b>MR554862</b>	1	
<b>46176</b> 0512-1-	STOPPER,STEERING GEAR RACK		<b>MN101697</b>	1		0703-1-	ALL		<b>MR491351</b>	1	
<b>46181</b> 0512-1-0702-3	SUPPORT,STEERING GEAR RACK		<b>MR448464</b>	1		<b>48856AB</b> 0512-1-	TUBE ASSY,P/S OIL FEED		<b>MR554315</b>	1	
0703-1-			<b>MN101696</b>	1		<b>48856AC</b> 0512-1-	TUBE ASSY,P/S OIL FEED		<b>MR554316</b>	1	
<b>46281</b> 0512-1-	CLIP,STEERING GEAR INR		<b>MR223827</b>	2			ALL				
<b>46284</b> 0512-1-0801-3	WASHER,STEERING GEAR		<b>MB266164</b>	2							
<b>46289B</b> 0512-1-	O-RING,STEERING GEAR INR		<b>MB910963</b> <b>(MB844980)</b>	4							
<b>46290B</b> 0512-1-	NUT,STEERING GEAR INR		<b>MB243335</b>	1							
<b>46290C</b> 0512-1-	NUT,STEERING GEAR INR		<b>MB006415</b>	1							
<b>46291B</b> 0512-1-	NUT,STEERING GEAR		<b>MF430123</b>	2	12						

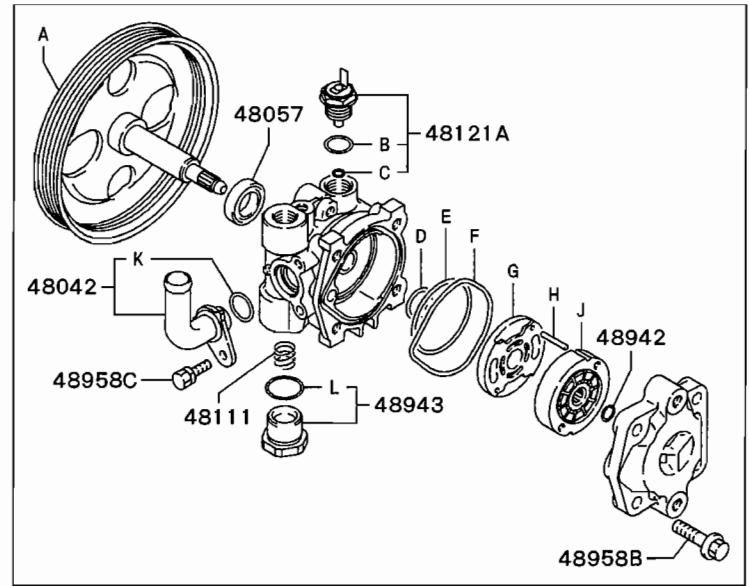
# 37 -110 POWER STEERING OIL PUMP

CS6A:INSTALLING PARTS

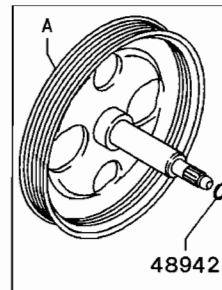


D00001B

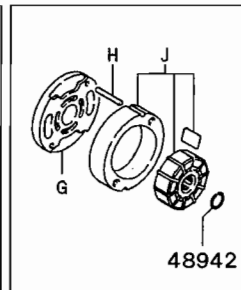
CS6A:DISASSEMBLED PARTS



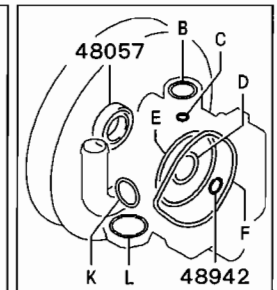
48055A



48085



48015



48096

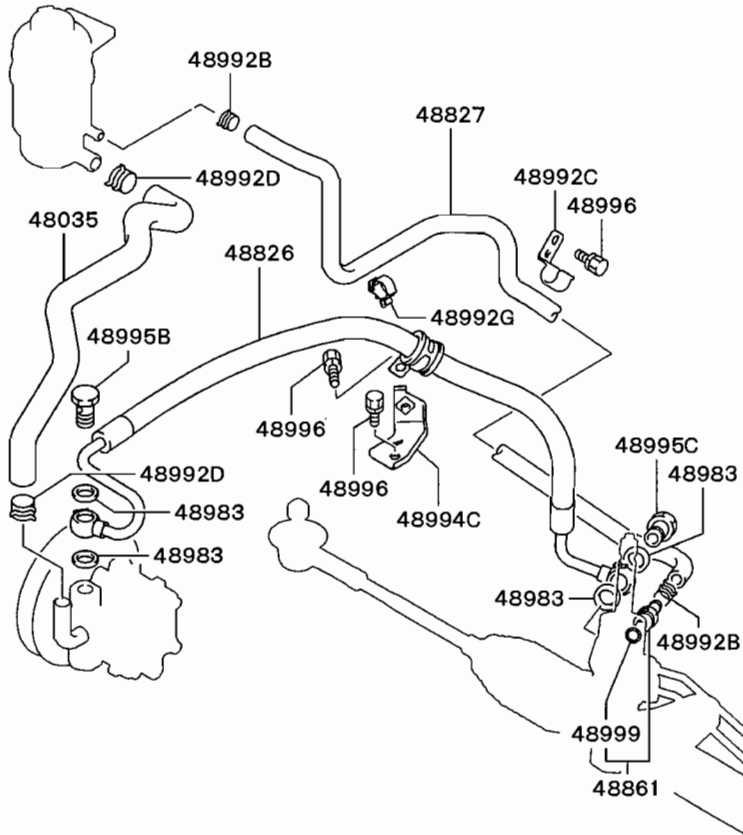
D00002B

### 37 -110 POWER STEERING OIL PUMP

P N C		MODEL APPLICABLE		Q	REMARKS	P N C		MODEL APPLICABLE		Q	REMARKS
FROM-UP TO	TYPE	DESCRIPTION	PART NO. (REPL P/NO.)			FROM-UP TO	TYPE	DESCRIPTION	PART NO. (REPL P/NO.)		
<b>48013</b>	0512-1-	BRACKET,P/S OIL PUMP				<b>48959H</b>	BOLT,P/S OIL PUMP				
	0512-1-	ALL	<b>MD372608</b>	1			ALL		<b>MF140229</b>	1	FLANGE,8X30
<b>48015</b>	0512-1-	CARTRIDGE KIT,P/S OIL PUMP				<b>48959K</b>	BOLT,P/S OIL PUMP				
	0512-1-	ALL	<b>4450A068</b>	1			ALL		<b>MD312404</b>	1	
<b>48042</b>	0512-1-	JOINT KIT,P/S OIL PUMP SUCTION				<b>48959M</b>	BOLT,P/S OIL PUMP				
	0512-1-	ALL	<b>MR554368</b>	1			ALL		<b>MF241291</b>	1	WASHER ASSEMBLED,10X55
<b>48055A</b>	0512-1-	OIL PUMP ASSY,P/S				<b>48959N</b>	BOLT,P/S OIL PUMP				
	0512-1-	ALL	<b>MN101533</b>	1			ALL		<b>MF241298</b>	1	WASHER ASSEMBLED,10X90
<b>48057</b>	0512-1-	OIL SEAL,P/S OIL PUMP SHAFT				<b>48959Q</b>	BOLT,P/S OIL PUMP				
	0512-1-	ALL	<b>MR403237</b>	1			ALL		<b>MF241264</b>	1	WASHER ASSEMBLED,8X55
<b>48085</b>	0512-1-	PULLEY & SHAFT KIT,P/S OIL PUMP				<b>48959S</b>	BOLT,P/S OIL PUMP				
	0512-1-	ALL	<b>4451A036</b>	1			ALL		<b>MF140258</b>	1	FLANGE,10X20
<b>48088</b>	0512-1-	PULLEY,P/S OIL PUMP BELT TENSION				<b>48959V</b>	BOLT,P/S OIL PUMP				
	0512-1-	ALL	<b>MD308882</b>	1			ALL		<b>MS241088</b>	1	WASHER ASSEMBLED,10X95
<b>48096</b>	0512-1-	SEAL KIT,P/S OIL PUMP				<b>48966</b>	STUD,P/S OIL PUMP				
	0512-1-	ALL	<b>MN103274</b>	1			ALL		<b>MD124336</b>	1	
<b>48111</b>	0512-1-	SPRING,P/S OIL PUMP FLOW CONTROL				<b>48970</b>	O-RING,P/S OIL RESERVOIR				
	0512-1-	ALL	<b>MR403236</b>	1			ALL		<b>MB076376</b>	1	
<b>48121A</b>	0512-1-	TERMINAL ASSY,P/S OIL PUMP					0612-1-		<b>4455A253</b>	1	
	0512-1-	ALL	<b>MR510365</b>	1			0612-1-				
<b>48123</b>	0512-1-	BELT,P/S									
	0512-1-	ALL	<b>MN187177</b>	1	1305						
<b>48707</b>	0512-1-0611-3	CAP,P/S OIL RESERVOIR									
	0612-1-	ALL	<b>MR369155</b>	1							
	0612-1-	ALL	<b>4455A252</b>	1							
<b>48736A</b>	0512-1-0611-3	RESERVOIR ASSY,P/S OIL									
	0612-1-	ALL	<b>MR403657</b>	1							
	0612-1-	ALL	<b>MN101937</b>	1							
<b>48940</b>	0512-1-	STAY,P/S OIL PUMP									
	0512-1-	ALL	<b>MD331807</b>	1							
<b>48942</b>	0512-1-	SNAP RING,P/S OIL PUMP INR									
	0512-1-	ALL	<b>MB351258</b>	1							
<b>48943</b>	0512-1-	PLUG,P/S OIL PUMP INR									
	0512-1-	ALL	<b>MR448381</b>	1							
<b>48947</b>	0512-1-	NUT,P/S OIL PUMP									
	0512-1-	ALL	<b>MF434105</b>	1	FLANGE,10						
<b>48958B</b>	0512-1-	BOLT,P/S OIL PUMP INR									
	0512-1-	ALL	<b>MR403240</b>	4							
<b>48958C</b>	0512-1-	BOLT,P/S OIL PUMP INR									
	0512-1-	ALL	<b>MR403239</b>	1							
<b>48959B</b>	0512-1-	BOLT,P/S OIL PUMP									
	0512-1-	ALL	<b>MF140229</b>	2	FLANGE,8X30						
<b>48959C</b>	0512-1-0710-3	BOLT,P/S OIL PUMP									
	0711-1-	ALL	<b>MS240148</b>	2	WASHER ASSEMBLED,BLACK, 8X35						
	0711-1-	ALL	<b>MF140030</b>	2	FLANGE,8X32						



### 37 -130 POWER STEERING OIL LINE

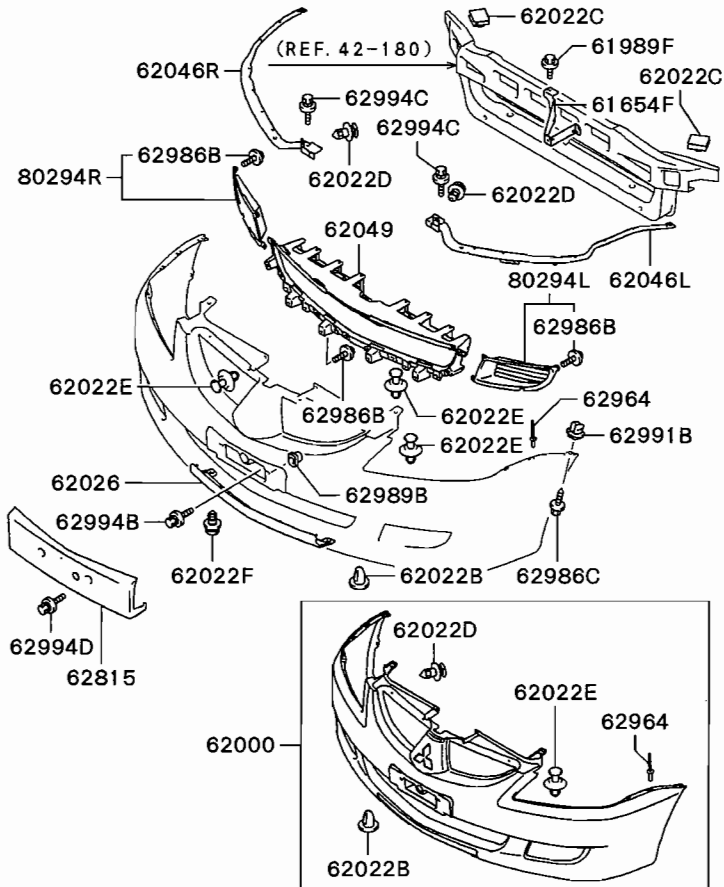


D00017D

P N C	MODEL APPLICABLE		B P	PART NO. (REPL P/NO.)	Q Y	REMARKS
	FROM/UP TO	TYPE				
<b>48035</b>						
0512-1-				<b>MR961473</b>	1	
<b>48826</b>						
0512-1-				<b>MR491670</b>	1	
<b>48827</b>						
0512-1-				<b>MN100326</b>	1	
<b>48861</b>						
0512-1-				<b>MR403661</b>	1	
<b>48983</b>						
0512-1-				<b>MF660066</b>	4	D=16
<b>48992B</b>						
0512-1-				<b>MR133826</b>	2	18.1
<b>48992C</b>						
0512-1-				<b>MR171197</b>	1	
<b>48992D</b>						
0512-1-				<b>MS660171</b>	2	D=20.8
<b>48992G</b>						
0512-1-				<b>MU484008</b>	1	
<b>48994C</b>						
0512-1-0712-3				<b>MR554584</b>	1	
0801-1-				<b>MR297189</b>	1	
<b>48995B</b>						
0512-1-				<b>MR491471</b>	1	16X27.5
<b>48995C</b>						
0512-1-				<b>MR554636</b>	1	
<b>48996</b>						
0512-1-				<b>MS240085</b>	3	WASHER ASSEMBLED,8X20
<b>48999</b>						
0512-1-				<b>MB166042</b> <b>(MB950259)</b>	1	7.5

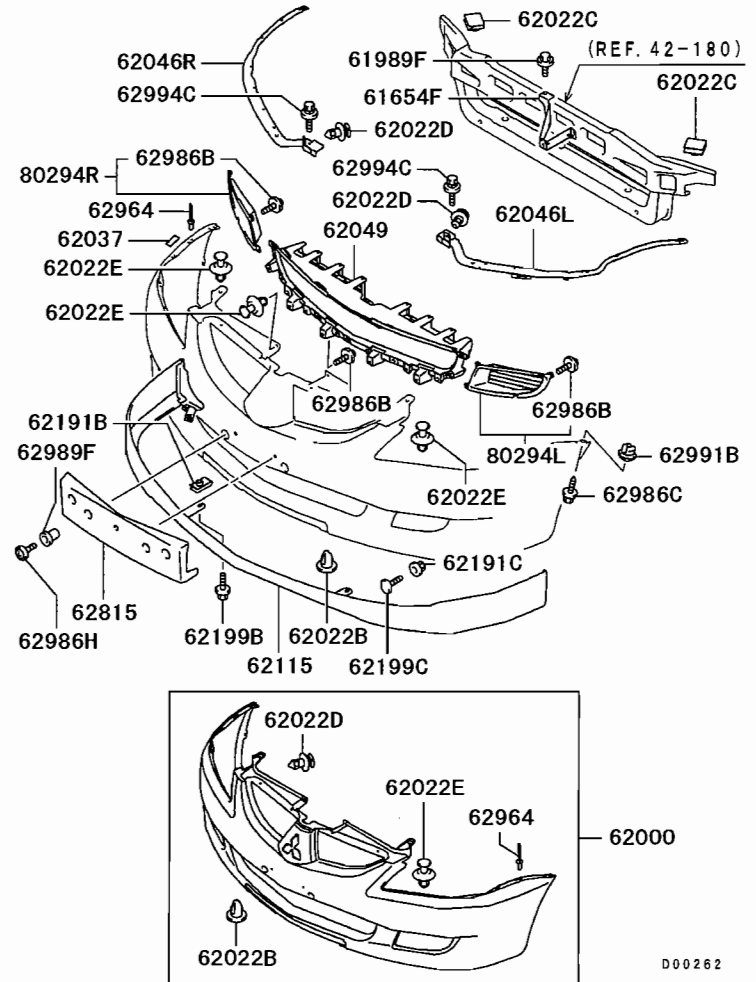
# 42-010 FRONT BUMPER & SUPPORT

CS6A:-0804.3 ELEGANCE STYLE



D00223

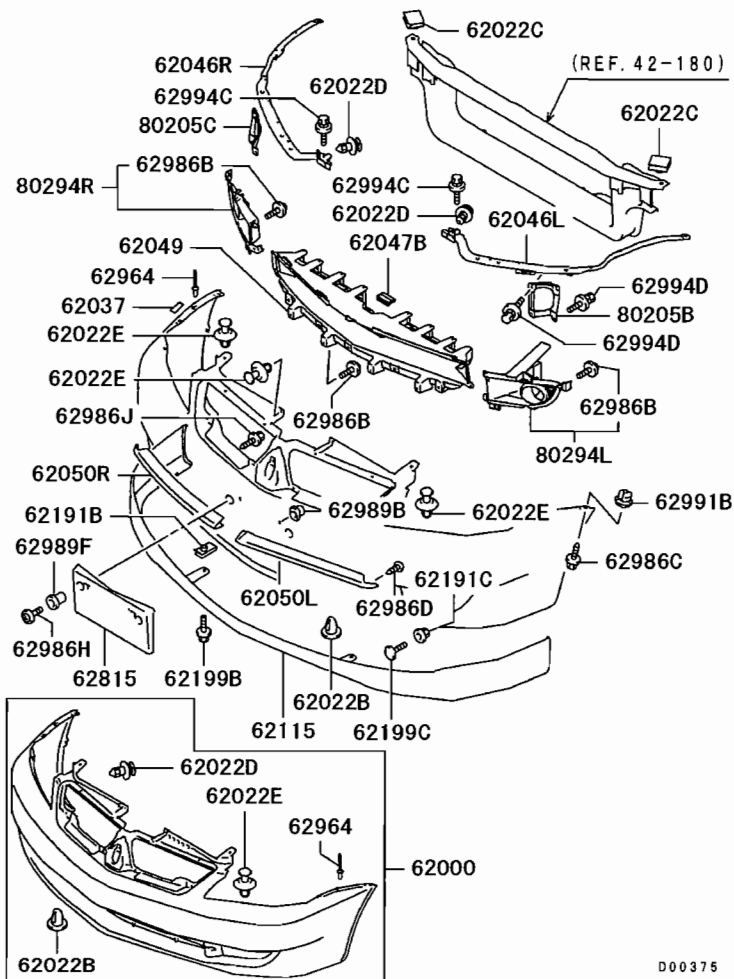
CS6A:-0804.3 SPORT STYLE



D00262

## 42-010 FRONT BUMPER & SUPPORT

CS6A:0805.1-



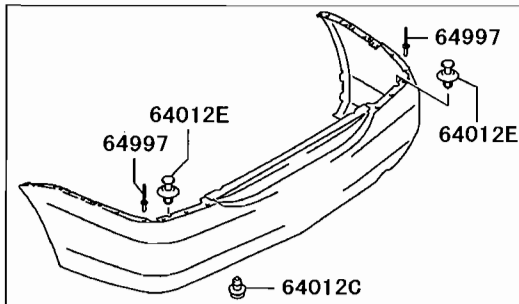
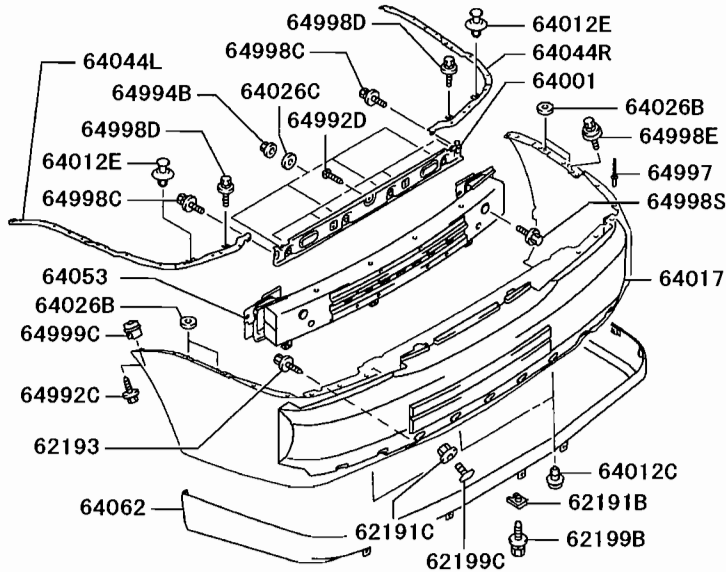
P N C	MODEL APPLICABLE		B P	PART NO. (REPL P/NO.)	Q Y	REMARKS
	FROM-UP TO	TYPE				
<b>61654F</b>						
0512-1-0702-3	CS6A	SNJERDW		<b>MN165103</b>	1	
0512-1-0804-3	CS6A	SNJERDW		<b>MN165103</b>	1	
<b>61989F</b>						
0512-1-0804-3	ALL			<b>MS100222</b>	3	FLANGE,6X14
<b>62000</b>						
0512-1-0804-3	CS6A	SNJERDW		<b>MN161297WA</b>	1	WHITE EXT:200B SUPPLIED IN SINGLE C OLOR
0512-1-0804-3	CS6A	SNJERDW		<b>6400A143WA</b>	1	WAIRDAM HOLE,WHITE EXT:200D SUPPLIED IN SINGLE COLOR
0805-1-	CS6A	SNJERDW		<b>6400B363WB</b>	1	WAIRDAM HOLE,WHITE EXT:200D SUPPLIED IN SINGLE COLOR
0805-1-	CS6A	SNJERDW SNJERDW2		<b>6400B366WB</b>	1	WHITE EXT:200B SUPPLIED IN SINGLE C OLOR
<b>62022B</b>						
0512-1-	ALL			<b>MB271999</b>	2	BLACK,12.8
<b>62022C</b>						
0512-1-	ALL			<b>MR520337</b>	2	10
<b>62022D</b>						
0512-1-	ALL			<b>MU488006</b>	2	BLACK,8
<b>62022E</b>						
0512-1-	ALL			<b>MR288150</b>	6	BLACK
<b>62022F</b>						
0512-1-0804-3	CS6A	SNJERDW		<b>MU488006</b>	2	BLACK,8
<b>62026</b>						
0512-1-0804-3	CS6A	SNJERDW		<b>MN126467WA</b>	1	WHITE EXT:200B
<b>62037</b>						
0512-1-0804-3	CS6A	SNJERDW		<b>6410A054</b>	2	
0805-1-	CS6A	ALL		<b>6410A054</b>	2	
<b>62046L</b>						
0512-1-	ALL			<b>MN126460</b>	1	
<b>62046R</b>						
0512-1-	ALL			<b>MN126461</b>	1	
<b>62047B</b>						
0805-1-	ALL			<b>5815A038</b>	2	
<b>62049</b>						
0512-1-0804-3	CS6A	SNJERDW		<b>MN126459</b>	1	
0512-1-0804-3	CS6A	SNJERDW		<b>MN126468</b>	1	
0805-1-	CS6A	ALL		<b>6407A014</b>	1	
<b>62050L</b>						
0805-1-	ALL			<b>7405A059</b>	1	BLACK MATERIAL
<b>62050R</b>						
0805-1-	ALL			<b>7405A046</b>	1	BLACK MATERIAL

000375

## 42 -010 FRONT BUMPER & SUPPORT

P N C	MODEL APPLICABLE	Q	PART NO.	REMARKS	P N C	MODEL APPLICABLE	Q	PART NO.	REMARKS
FROM/UP TO	TYPE DESCRIPTION	TY	(REPL P/NO.)		FROM/UP TO	TYPE DESCRIPTION	TY	(REPL P/NO.)	
<b>62115</b>	PANEL,AIR DAM SKIRT				<b>80294L</b>	BEZEL,FR FOG LAMP,LH			
0512-1-0804-3	CS6A SNJERDW		<b>MN154911WA</b>	1 WHITE EXT:200D	0512-1-0804-3	CS6A ALL		<b>MN150937</b>	1 BLACK MATERIAL
0805-1-	CS6A SNJERDW		<b>MN154911WC</b>	1 WHITE EXT:200D	0805-1-	CS6A SNJERDW SNJERDW2		<b>6405A055</b>	1
<b>62191B</b>	NUT,AIR DAM SKIRT PANEL				0805-1-	CS6A SNJERDW		<b>8321A055</b>	1
0512-1-	CS6A SNJERDW		<b>MU440009</b>	4 SPRING,6	<b>80294R</b>	BEZEL,FR FOG LAMP,RH			
<b>62191C</b>	NUT,AIR DAM SKIRT PANEL				0512-1-0804-3	CS6A ALL		<b>MN150938</b>	1 BLACK MATERIAL
0512-1-	CS6A SNJERDW		<b>MS440522</b>	15 WASHER ASSEMBLED,6 WASHER(18)	0805-1-	CS6A SNJERDW SNJERDW2		<b>6405A056</b>	1
<b>62199B</b>	BOLT,AIR DAM SKIRT PANEL				0805-1-	CS6A SNJERDW		<b>8321A056</b>	1
0512-1-	ALL		<b>MS240142</b>	4 WASHER ASSEMBLED,6X20					
<b>62199C</b>	BOLT,AIR DAM SKIRT PANEL								
0512-1-	ALL		<b>MB908442</b>	15 6X13					
<b>62815</b>	GARNISH,FR LICENSE PLATE								
0512-1-0604-3	CS6A SNJERDW		<b>6430A084</b>	1					
0512-1-0804-3	CS6A SNJERDW		<b>MN126465</b>	1					
0605-1-0804-3	CS6A SNJERDW		<b>MN126466</b>	1					
0805-1-	CS6A ALL		<b>MN126466</b>	1					
<b>62964</b>	RIVET,FR BUMPER								
0512-1-	ALL		<b>MR473000</b>	12 4.2					
<b>62986B</b>	SCREW,FR BUMPER								
0512-1-	ALL		<b>MB409437</b>	16 TAPPING,5X12					
<b>62986C</b>	SCREW,FR BUMPER								
0512-1-	ALL		<b>MS452393</b>	2 WASHER ASSEMBLED,6X20					
<b>62986D</b>	SCREW,FR BUMPER								
0805-1-	ALL		<b>MS450156</b>	8 TAPPING(FLANGE HEAD),5X12					
<b>62986H</b>	SCREW,FR BUMPER								
0512-1-	ALL		<b>MS350014</b>	2 WASHER ASSEMBLED,6X30					
<b>62986J</b>	SCREW,FR BUMPER								
0805-1-	ALL		<b>MF453047</b>	2 TAPPING,6X16					
<b>62989B</b>	NUT,FR BUMPER								
0512-1-	ALL		<b>MR971002</b>	2 6					
<b>62989F</b>	NUT,FR BUMPER								
0512-1-	ALL		<b>MU435004</b>	2 RUBBER NUT,6					
<b>62991B</b>	GROMMET,FR BUMPER								
0512-1-	ALL		<b>MR393386</b>	2 6					
<b>62994B</b>	BOLT,FR BUMPER								
0512-1-0804-3	ALL		<b>MS100242</b>	1 FLANGE,6X14					
<b>62994C</b>	BOLT,FR BUMPER								
0512-1-	ALL		<b>MS240041</b>	2 WASHER ASSEMBLED,6X16					
<b>62994D</b>	BOLT,FR BUMPER								
0512-1-	ALL		<b>MS240121</b>	8 WASHER ASSEMBLED,6X16					
<b>80205B</b>	BRACKET,FR FOG LAMP								
0805-1-	CS6A SNJERDW		<b>MN190067</b>	1					
<b>80205C</b>	BRACKET,FR FOG LAMP								
0805-1-	CS6A SNJERDW		<b>MN190068</b>	1					

## 42 -030 REAR BUMPER & SUPPORT



64000

D00158

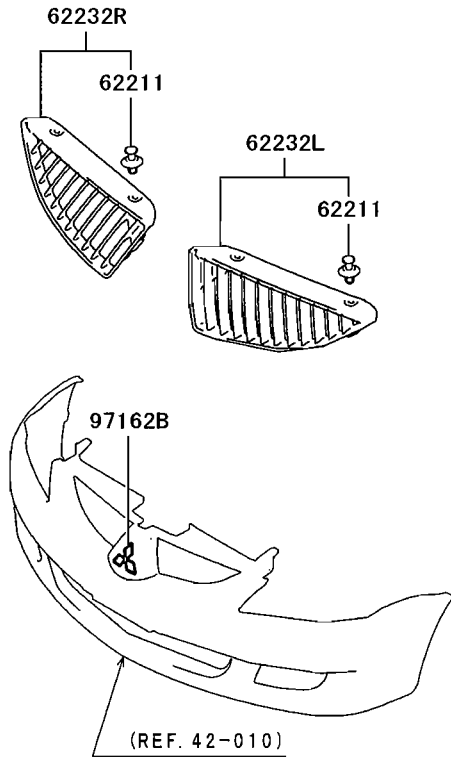
P N C	MODEL APPLICABLE		TYPE	PART NO. (REPL P/NO.)	Q Y	REMARKS
	FROM-UP TO	DESCRIPTION				
<b>62191B</b>	0512-1-	NUT,AIR DAM SKIRT PANEL		<b>MU440009</b>	6	SPRING,6
<b>62191C</b>	0512-1-	NUT,AIR DAM SKIRT PANEL		<b>MS440522</b>	18	WASHER ASSEMBLED,6 WASHER(18)
<b>62193</b>	0512-1-0804-3	SCREW,AIR DAM SKIRT PANEL		<b>MS452028</b>	2	WASHER ASSEMBLED,5X16
	0805-1-	CS6A ALL		<b>MS452028</b>	2	WASHER ASSEMBLED,5X16
<b>62199B</b>	0512-1-	BOLT,AIR DAM SKIRT PANEL		<b>MS240142</b>	6	WASHER ASSEMBLED,6X20
<b>62199C</b>	0512-1-	BOLT,AIR DAM SKIRT PANEL		<b>MB908442</b>	18	6X13
<b>64000</b>	0512-1-0804-3	FACE KIT,RR BUMPER		<b>MN161082WA</b>	1	WHITE EXT:200B SUPPLIED IN SINGLE C OLR
	0512-1-0804-3	CS6A SNJERDW		<b>MN186350WA</b>	1	WAIRDAM HOLE,WHITE EXT:200D SUPPLIED IN SINGLE COLOR
	0805-1-	CS6A SNJERDW	Y	<b>MN186350WC</b> ( <b>MN186350WA</b> )	1	WAIRDAM HOLE,WHITE EXT:200D S01019
	0805-1-	CS6A SNJERDW	Y	<b>MN161543WC</b> ( <b>MN161543WA</b> )	1	WHITE EXT:200B S01019
<b>64001</b>	0512-1-0804-3	REINFORCEMENT,RR BUMPER		<b>MR520343</b>	1	
	0512-1-0804-3	CS6A SNJERDW		<b>MR520344</b>	1	
	0805-1-	CS6A ALL		<b>MR520343</b>	1	
<b>64012C</b>	0512-1-	CLIP,RR BUMPER		<b>MU488006</b>	3	BLACK,8
<b>64012E</b>	0512-1-	CLIP,RR BUMPER		<b>MB253964</b>	2	BLACK
<b>64017</b>	0512-1-0804-3	CORE,RR BUMPER		<b>MN126677</b>	1	
	0805-1-	CS6A ALL		<b>MN126677</b>	1	
<b>64026B</b>	0512-1-	GASKET,RR BUMPER		<b>MR396855</b>	4	
<b>64026C</b>	0512-1-	GASKET,RR BUMPER		<b>MA156028</b>	4	
<b>64044L</b>	0512-1-	PLATE,RR BUMPER,UPR LH		<b>MN126674</b>	1	
<b>64044R</b>	0512-1-	PLATE,RR BUMPER,UPR RH		<b>MN126675</b>	1	
<b>64053</b>	0512-1-0804-3	REINFORCEMENT,RR BUMPER FACE SUPPORT,CTR		<b>6410A021</b>	1	
	0805-1-	CS6A ALL		<b>6410A021</b>	1	
<b>64062</b>	0512-1-0804-3	AIR DAM,RR BUMPER		<b>MN154912WA</b>	1	WHITE EXT:200D

42 -030 REAR BUMPER & SUPPORT

P N C	MODEL APPLICABLE	PART NO.	Q	REMARKS
FROM-UP TO	TYPE DESCRIPTION	(REPL P/NO.)	Y	
<b>64062</b> 0805-1-	AIR DAM,RR BUMPER CS6A SNJERDW	<b>MN154912WC</b>	1	WHITE EXT:200D
<b>64992C</b> 0512-1-	SCREW,RR BUMPER ALL	<b>MS452393</b>	2	WASHER ASSEMBLED,6X20
<b>64992D</b> 0512-1-	SCREW,RR BUMPER ALL	<b>MF455390</b>	5	TAPPING,5X10
<b>64994B</b> 0512-1-	NUT,RR BUMPER ALL	<b>MS440522</b>	4	WASHER ASSEMBLED,6 WASHER(18)
<b>64997</b> 0512-1-	RIVET,RR BUMPER ALL	<b>MR473000</b>	18	4.2
<b>64998C</b> 0512-1-	BOLT,RR BUMPER ALL	<b>MF243622</b>	2	WASHER ASSEMBLED,6X12
<b>64998D</b> 0512-1-	BOLT,RR BUMPER ALL	<b>MS240141</b>	2	WASHER ASSEMBLED,6X16 COLORED
<b>64998E</b> 0512-1-	BOLT,RR BUMPER ALL	<b>MB612553</b>	2	WASHER ASSEMBLED,6X16
<b>64998S</b> 0512-1-	BOLT,RR BUMPER ALL	<b>MS240616</b>	4	WASHER ASSEMBLED,8X25
<b>64999C</b> 0512-1-	GROMMET,RR BUMPER ALL	<b>MR393386</b>	2	6

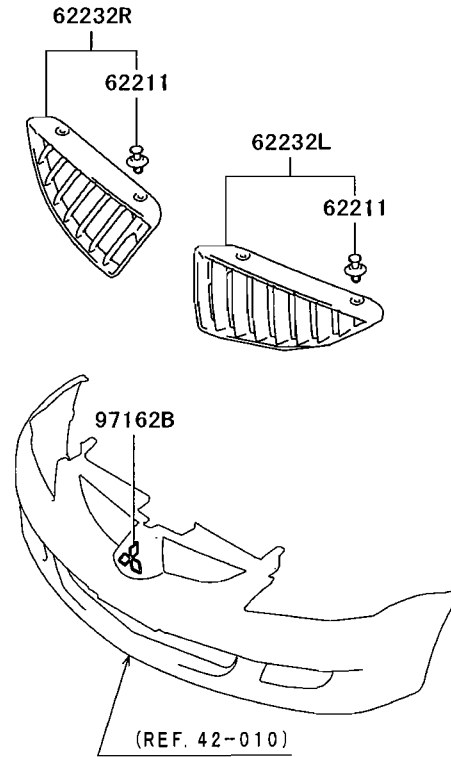
# 42-050 RADIATOR GRILLE, HEADLAMP BEZEL

CS6A:-0804.3 ELEGANCE STYLE



D00058

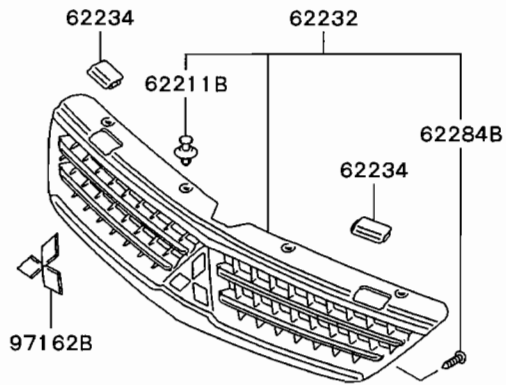
CS6A:-0804.3 SPORT STYLE



D00059

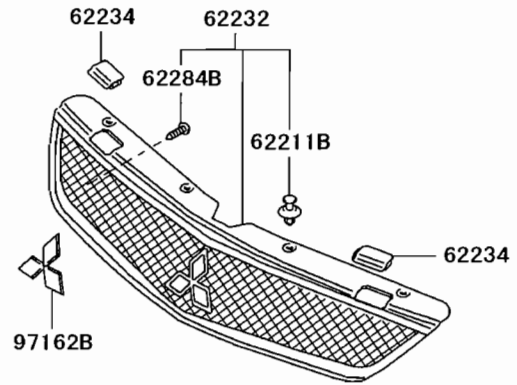
# 42 -050 RADIATOR GRILLE,HEADLAMP BEZEL

CS6A:0805.1- FIN TYPE



D00083

CS6A:0805.1- MESH TYPE



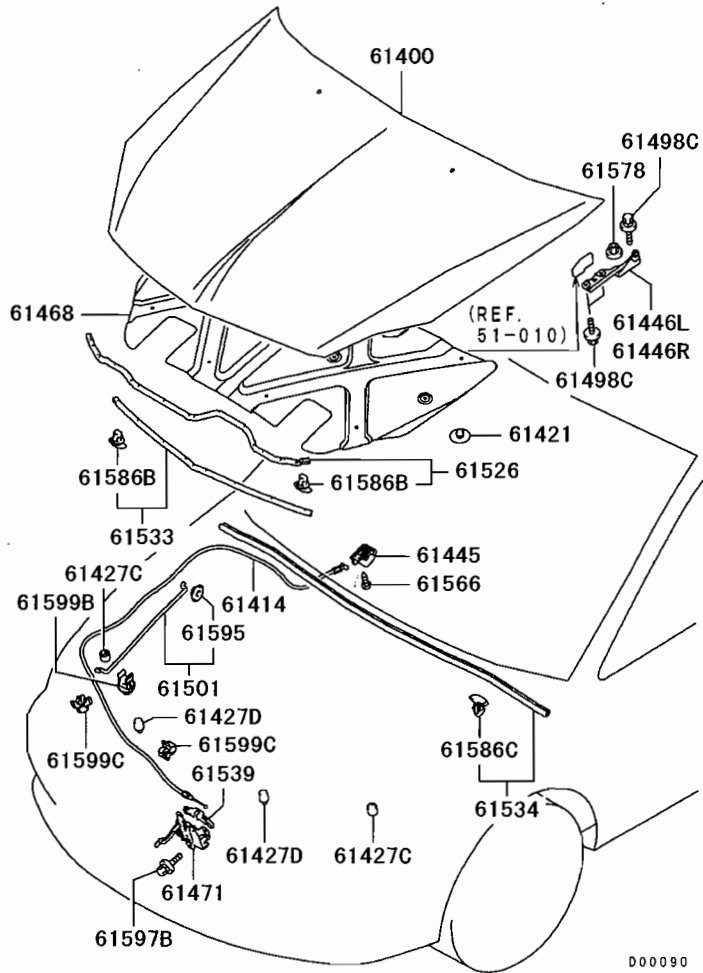
D00106



42 -050 RADIATOR GRILLE,HEADLAMP BEZEL

P N C	MODEL APPLICABLE	PART NO.	Q	REMARKS
FROM-UP TO	TYPE DESCRIPTION	(REPL P/NO.)	T Y	
<b>62211</b> 0512-1-0804-3	CLIP,RADIATOR GRILLE ALL	<b>MR288150</b>	4	BLACK
<b>62211B</b> 0805-1-	CLIP,RADIATOR GRILLE ALL	<b>MR288150</b>	4	BLACK
<b>62232</b> 0805-1-	GRILLE,RADIATOR			
0805-1-	CS6A SNJERDW SNJERDW2	<b>7450A168</b>	1	
	CS6A SNJERDW	<b>7450A244</b>	1	
<b>62232L</b> 0512-1-0804-3	GRILLE,RADIATOR,LH			
0512-1-0804-3	CS6A SNJERDW	<b>MN161013</b>	1	BLACK
	CS8A SNJERDW	<b>MN161113</b>	1	CHROME PLATING/D-WARM GRAY
<b>62232R</b> 0512-1-0804-3	GRILLE,RADIATOR,RH			
0512-1-0804-3	CS6A SNJERDW	<b>MN161014</b>	1	BLACK
	CS6A SNJERDW	<b>MN161114</b>	1	CHROME PLATING/D-WARM GRAY
<b>62234</b> 0805-1-	COVER,FR GRILLE SIDE			
	ALL	<b>7450A120</b>	2	
<b>62284B</b> 0805-1-	SCREW,RADIATOR GRILLE			
	ALL	<b>MF453031</b>	4	TAPPING,5X12
<b>97162B</b> 0512-1-0804-3	MARK,THREE-DIA			
0805-1-	ALL	<b>MN126476</b>	1	CHROME
	ALL	<b>MR598504</b>	1	

## 42 -120 HOOD & LOCK

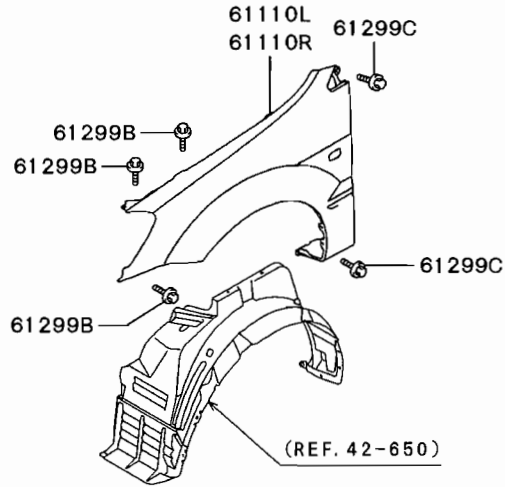


P N C	MODEL APPLICABLE		PART NO. (REPL P/NO.)	Q Y	REMARKS
	FROM-UP TO	TYPE DESCRIPTION			
<b>61400</b>		HOOD			
0512-1-		ALL	<b>5900A138</b>	1	
<b>61414</b>		CABLE,HOOD LOCK RELEASE			
0512-1-		ALL	<b>MN181175</b>	1	BLACK
<b>61421</b>		CLIP,HOOD INSULATOR			
0512-1-0703-3		ALL	<b>MU481187</b>	9	
0704-1-		ALL	<b>MU001282</b>	9 8.5	
<b>61427C</b>		DAMPER,HOOD			
0512-1-		ALL	<b>MR473003</b>	2	
0512-1-		ALL	<b>MR473471</b>	CC	OR **
<b>61427D</b>		DAMPER,HOOD			
0512-1-		ALL	<b>MR288769</b>	2	
<b>61445</b>		HANDLE,HOOD LOCK RELEASE			
0512-1-0703-2	CS6A	SNJERDW	<b>MR627218</b>	1	D-GRAY INT.63P
0512-1-0804-3	CS6A	SNJERDW	<b>MR647060</b>	1	BEIGE INT.62F
0703-3-	CS6A	SNJERDW	<b>MR654344</b>	1	BLACK INT.40X.63P
0805-1-	CS6A	SNJERDW SNJERDW2	<b>MR647060</b>	1	BEIGE INT.41Y.42Y
<b>61446L</b>		HINGE,HOOD,LH			
0512-1-		ALL	<b>MN126933</b>	1	
<b>61446R</b>		HINGE,HOOD,RH			
0512-1-		ALL	<b>MN126934</b>	1	
<b>61468</b>		INSULATOR,HOOD			
0512-1-		ALL	<b>MN126643</b>	1	
<b>61471</b>		LATCH,HOOD			
0512-1-		ALL	<b>5908A002</b>	1	
<b>61498C</b>		BOLT,HOOD HINGE			
0512-1-		ALL	<b>MU140017</b>	6	FLANGE,8X20
<b>61501</b>		ROD,HOOD SUPPORT			
0512-1-		ALL	<b>MR526083</b>	1	
<b>61526</b>		WEATHERSTRIP,HOOD			
0512-1-		ALL	<b>MR525054</b>	1	
<b>61533</b>		WEATHERSTRIP,HOOD,FR			
0512-1-		ALL	<b>MN126736</b>	1	
<b>61534</b>		WEATHERSTRIP,HOOD,RR			
0512-1-		ALL	<b>MR525377</b>	1	
<b>61539</b>		COVER,HOOD LATCH			
0512-1-0512-3		ALL	<b>MN167634</b>	1	
<b>61566</b>		SCREW,HOOD LOCKING			
0512-1-		ALL	<b>MF453033</b>	2	TAPPING.5X16
<b>61578</b>		NUT,HOOD HINGE			
0512-1-		ALL	<b>MS440503</b>	2	WASHER ASSEMBLED.8
<b>61586B</b>		CLIP,HOOD			
0512-1-0712-3	CS6A	ALL	<b>MU481027</b>	20	BLACK,5.3
0801-1-	CS6A	ALL	<b>MU481027</b>	18	BLACK,5.3
<b>61586C</b>		CLIP,HOOD			
0512-1-		ALL	<b>MU487004</b>	8	BLACK

## 42 -120 HOOD & LOCK

P N C	MODEL APPLICABLE	REPL	PART NO. (REPL P/NO.)	Q ↓	REMARKS
FROM-UP TO	TYPE DESCRIPTION				
<b>61595</b> 0512·1-	GROMMET,HOOD LOCKING ALL		<b>MR523786</b>	1	
<b>61597B</b> 0512·1-0706·3 0707·1-	BOLT,HOOD LOCKING ALL ALL		<b>MS240684</b> <b>MS240198</b>	3 3	WASHER ASSEMBLED,6X20 WASHER ASSEMBLED,6X20 COLORED
<b>61599B</b> 0512·1-	CLIP,HOOD LOCKING ALL		<b>MR523317</b>	1	
<b>61599C</b> 0512·1-	CLIP,HOOD LOCKING ALL		<b>MU481269</b>	2	

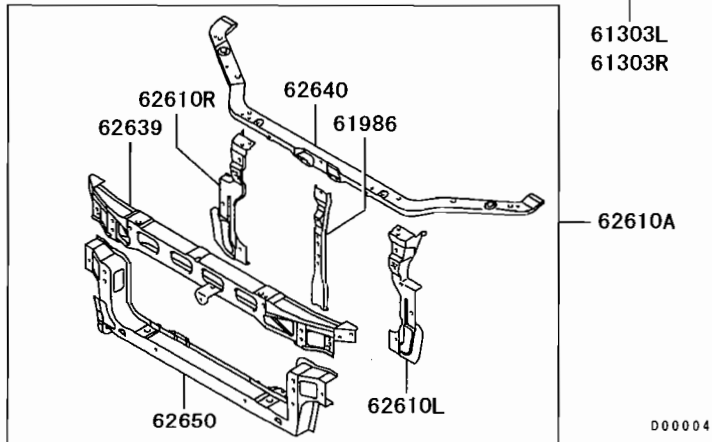
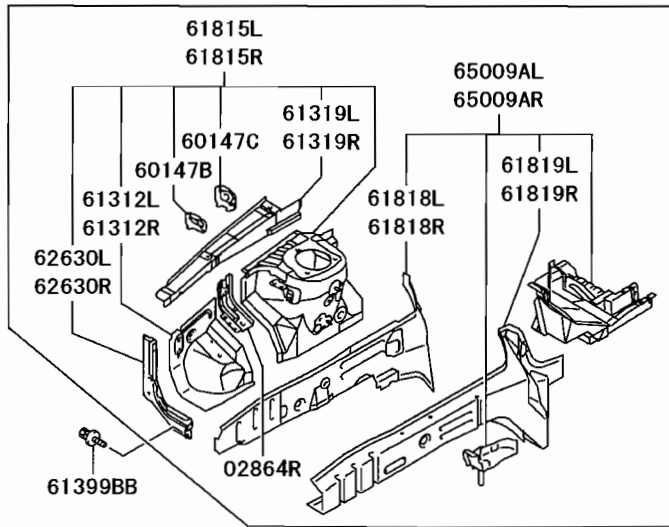
## 42 -150 FENDER & FRONT END COVER



D00040A

P N C	MODEL APPLICABLE		P	PART NO. (REPL P/NO.)	Q	REMARKS
	FROM-UP TO	TYPE				
<b>61110L</b>						
0512-1-0804-3	CS6A	SNDERDW		<b>MN150623</b>	1	
0512-1-0804-3	CS6A	SNJERDW		<b>MN150625</b>	1	
0805-1-	CS6A	ALL		<b>MN150625</b>	1	
<b>61110R</b>						
0512-1-0804-3	CS6A	SNDERDW		<b>MN150624</b>	1	
0512-1-0804-3	CS6A	SNJERDW		<b>MN150626</b>	1	
0805-1-	CS6A	ALL		<b>MN150626</b>	1	
<b>61299B</b>						
0512-1-		BOLT,FR FENDER		<b>MS100222</b>	8	FLANGE,5X14
		ALL				
<b>61299C</b>						
0512-1-		BOLT,FR FENDER		<b>MS100222</b>	8	FLANGE,5X14
		ALL				

## 42 -180 FRONT END PANEL



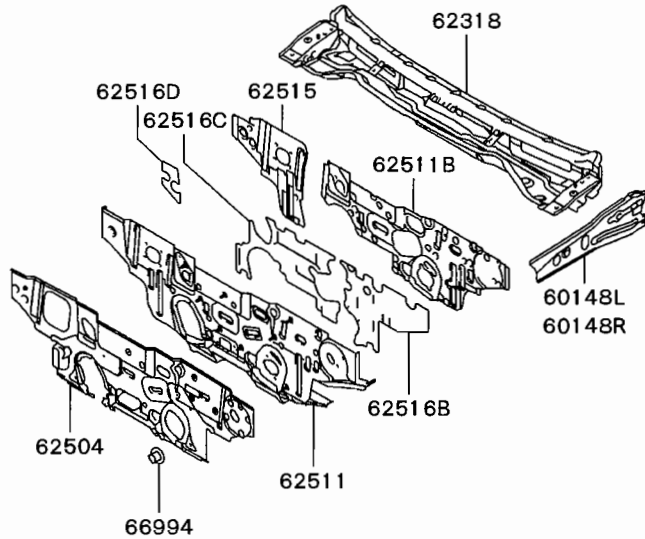
000004

P N C	MODEL APPLICABLE		PART NO. (REPL P/NO.)	Q Y	REMARKS
	FROM-UP TO	TYPE			
<b>02864R</b>					
0512-1-					
<b>60147B</b>			<b>MR586582</b>	1	
0512-1-					
<b>60147C</b>			<b>MR548494</b>	2	
0512-1-					
<b>61303L</b>			<b>MR548493</b>	2	
0512-1-					
<b>61303R</b>			<b>MN150557</b>	1	
0512-1-					
<b>61312L</b>			<b>MN150562</b>	1	
0512-1-					
<b>61312R</b>			<b>MN150551</b>	1	
0512-1-					
<b>61319L</b>			<b>MN150552</b>	1	
0512-1-					
<b>61319R</b>			<b>MN150549</b>	1	
0512-1-					
<b>61399BB</b>			<b>MN150550</b>	1	
0512-1-					
<b>61815L</b>			<b>MS240121</b>	4	WASHER ASSEMBLED.6X16
0512-1-					
<b>61815R</b>			<b>MN186433</b>	1	
0512-1-					
<b>61818L</b>			<b>MN150556</b>	1	
0512-1-					
<b>61818R</b>			<b>MR439983</b>	1	
0512-1-					
<b>61819L</b>			<b>MR439984</b>	1	
0512-1-					
<b>61819R</b>			<b>MR439985</b>	1	
0512-1-					
<b>61986</b>			<b>MR566594</b>	1	
0512-1-					
<b>62610A</b>			<b>MN150602</b>	1	
0512-1-					
<b>62610L</b>			<b>MN150613</b>	1	
0512-1-					
<b>62610R</b>			<b>MN150609</b>	1	
0512-1-					
<b>62630L</b>			<b>MN150610</b>	1	
0512-1-					
<b>62630R</b>			<b>MN150553</b>	1	
0512-1-					
<b>62639</b>			<b>MN150554</b>	1	
0512-1-					
			<b>MN150608</b>	1	

42 -180 FRONT END PANEL

P N C	MODEL APPLICABLE	R P	PART NO.	Q	REMARKS
FROM-UP TO	TYPE DESCRIPTION		(REPL P/NO.)	Y	
<b>62640</b> 0512-1-	PANEL,HEADLAMP SUPPORT,UPR ALL		<b>MN150586</b>	1	
<b>62650</b> 0512-1-	PANEL,HEADLAMP SUPPORT,LWR ALL	Y	<b>MR566904</b> <b>(5211A062)</b>	1	
<b>65009AL</b> 0512-1-	SIDEMEMBER ASSY,FR LH ALL		<b>MR548501</b>	1	
<b>65009AR</b> 0512-1-	SIDEMEMBER ASSY,FR RH ALL		<b>MR990414</b>	1	

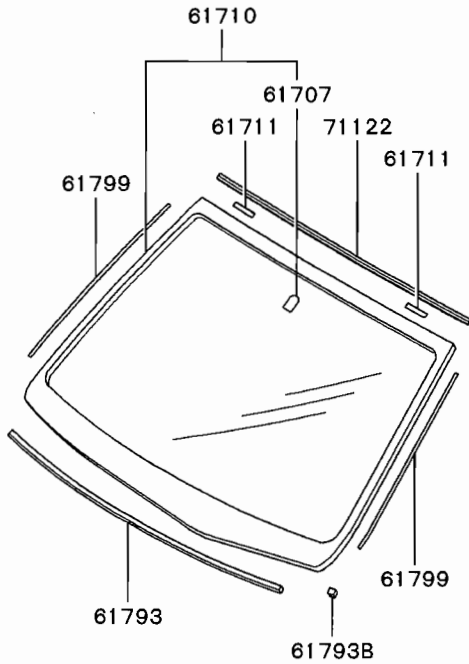
## 42 -210 FRONT DECK & INSULATOR



D00004C

P/N C	MODEL APPLICABLE		B/P	PART NO. (REPL P/NO.)	QTY	REMARKS
	FROM-UP TO	TYPE				
<b>60148L</b>	0512-1-	ALL		<b>MR548945</b>	1	
	0512-1-	ALL		<b>MR548946</b>	1	
<b>60148R</b>	0512-1-	ALL		<b>MR548946</b>	1	
<b>62318</b>	0512-1-	ALL		<b>MR586022</b>	1	
<b>62504</b>	0512-1-	ALL		<b>MR479587</b>	1	
<b>62511</b>	0512-1-	ALL		<b>MR990420</b>	1	
<b>62511B</b>	0512-1-	ALL		<b>MR566793</b>	1	
<b>62515</b>	0512-1-	ALL		<b>MR548490</b>	1	
<b>62516B</b>	0512-1-	ALL		<b>MR584150</b>	1	
<b>62516C</b>	0512-1-	ALL		<b>MR468209</b>	1	
<b>62516D</b>	0512-1-	ALL		<b>MR479620</b>	1	
<b>66994</b>	0512-1-	ALL		<b>MB157530</b>	3	M6 DASH PAD

## 42 -230 WINDSHIELD GLASS & MOULDING

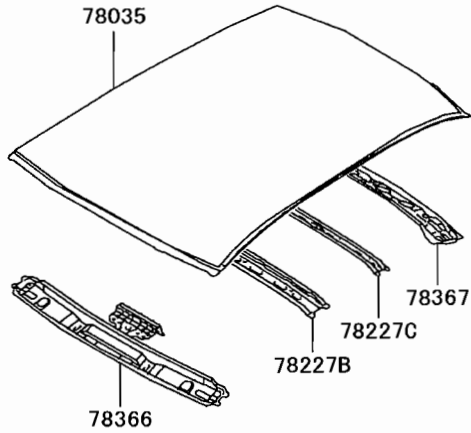


3E2LA91

P N C	MODEL APPLICABLE		B F	PART NO. (REPL P/NO.)	Q Y	RE MARKS
	FROM/UP TO	TYPE				
<b>61707</b> 0512-1-	ALL	ALL		<b>MR306799</b>	1	BLACK
<b>61710</b> 0512-1-	ALL	ALL		<b>MR991630</b>	1	GREEN RHD
<b>61711</b> 0512-1-	ALL	ALL		<b>MR520530</b>	2	
<b>61793</b> 0512-1-	ALL	ALL	Y	<b>MR108290</b> <b>(MB419223)</b>	1	SIR L=1500 (1300)
<b>61793B</b> 0512-1-	ALL	ALL		<b>MR108999</b>	2	
<b>61799</b> 0512-1-	ALL	ALL	Y	<b>MB023714</b> <b>(MB292508)</b>	2	L=650
<b>71122</b> 0512-1-	ALL	ALL		<b>MR520285</b>	1	BLACK



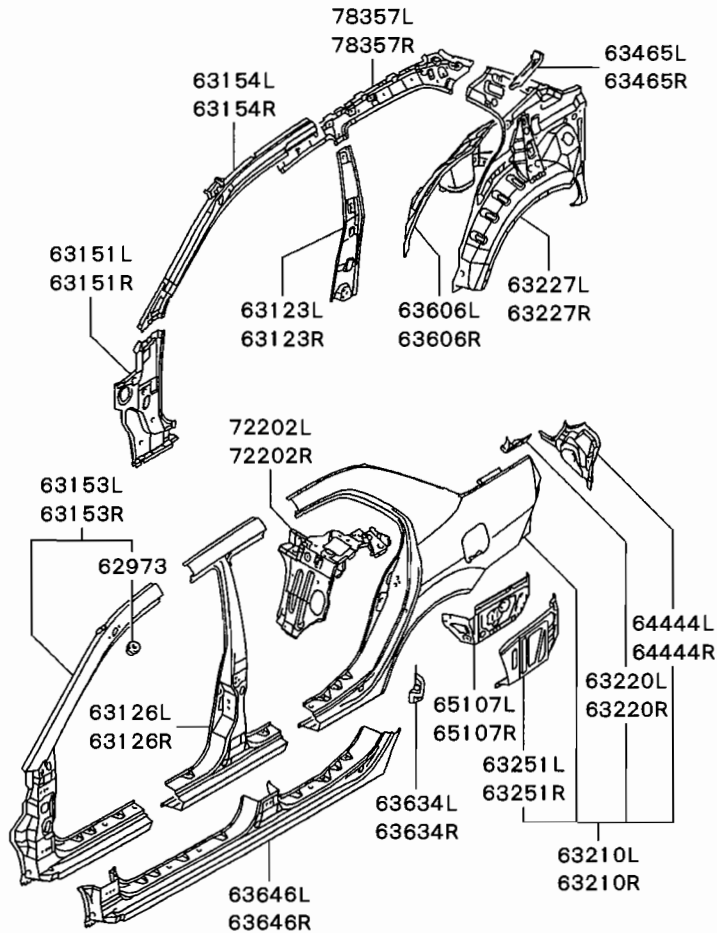
# 42 -250 ROOF & LID



D00017

P N C	MODEL APPLICABLE		PART NO. (REPL P/NO.)	Q Y	RE M A R K S
	FROM-UP TO	TYPE			
<b>78035</b>					
0512-1-0804-3	CS6A	SNDRDW	<b>MR548947</b>	1	W/O HOLE
0512-1-0804-3	CS6A	SNJERDW	<b>MR548949</b>	1	WHOLE ANTENA
0805-1-	CS6A	ALL	<b>MR548949</b>	1	WHOLE ANTENA
<b>78227B</b>		BOW,ROOF			
0512-1-		ALL	<b>5290A124</b>	1	
<b>78227C</b>		BOW,ROOF			
0512-1-		ALL	<b>MR548953</b>	1	
<b>78366</b>		RAIL,ROOF,FR			
0512-1-		ALL	<b>5290A120</b>	1	
<b>78367</b>		RAIL,ROOF,RR			
0512-1-		ALL	<b>5290A123</b>	1	

## 42 -310 SIDE STRUCTURE

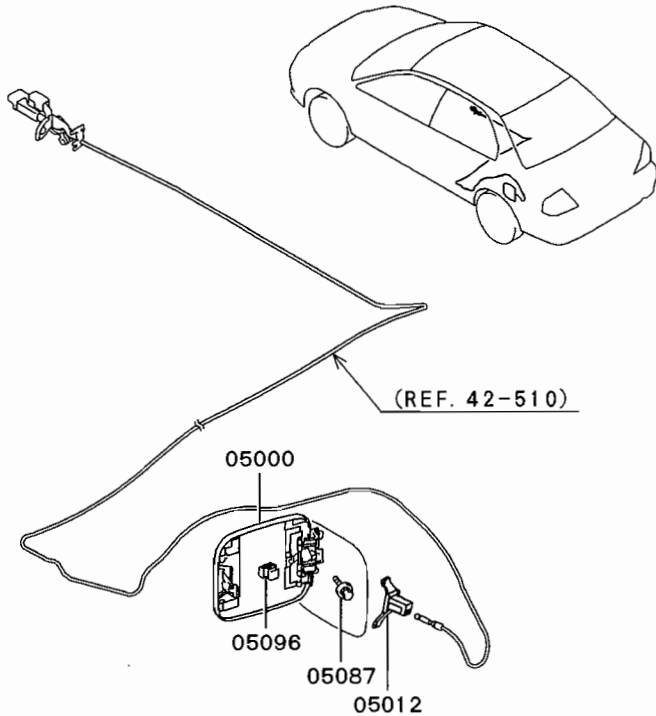


P N C	MODEL APPLICABLE		PART NO. (REPL P/NO.)	Q Y	REMARKS
	FROM/UP TO	TYPE			
<b>62973</b>					
0512-1-0804-3	ALL		<b>MB893538</b>	2	5X10.5
<b>63123L</b>					
0512-1-	ALL		<b>MR548705</b>	1	
<b>63123R</b>					
0512-1-	ALL		<b>MR548706</b>	1	
<b>63126L</b>					
0512-1-0804-3	CS6A	SNJERDW	<b>MR990519</b>	1	
0512-1-0804-3	CS6A	SNJERDW	<b>MR990531</b>	1	
<b>63126R</b>					
0512-1-0804-3	CS6A	SNJERDW	<b>MR990520</b>	1	
0512-1-0804-3	CS6A	SNJERDW	<b>MR990532</b>	1	
<b>63151L</b>					
0512-1-	ALL		<b>MN161001</b>	1	
<b>63151R</b>					
0512-1-	ALL		<b>MR548704</b>	1	
<b>63153L</b>					
0512-1-0804-3	CS6A	SNJERDW	<b>MN186015</b>	1	
0512-1-0804-3	CS6A	SNJERDW	<b>MN186021</b>	1	
0805-1-	CS6A	ALL	<b>MN186021</b>	1	
<b>63153R</b>					
0512-1-0804-3	CS6A	SNJERDW	<b>MN186018</b>	1	
0512-1-0804-3	CS6A	SNJERDW	<b>MN186022</b>	1	
0805-1-	CS6A	ALL	<b>MN186022</b>	1	
<b>63154L</b>					
0512-1-	ALL		<b>MR548701</b>	1	
<b>63154R</b>					
0512-1-	ALL		<b>MR548702</b>	1	
<b>63210L</b>					
0512-1-0804-3	CS6A	SNJERDW	<b>MR990521</b>	1	
0512-1-0804-3	CS6A	SNJERDW	<b>MR990533</b>	1	
<b>63210R</b>					
0512-1-0804-3	CS6A	SNJERDW	<b>MR990522</b>	1	
0512-1-0804-3	CS6A	SNJERDW	<b>MR990534</b>	1	
<b>63220L</b>					
0512-1-	ALL		<b>MR548715</b>	1	
<b>63220R</b>					
0512-1-	ALL		<b>MR548716</b>	1	
<b>63227L</b>					
0512-1-	ALL		<b>MR548711</b>	1	
<b>63227R</b>					
0512-1-	ALL		<b>MR548712</b>	1	
<b>63251L</b>					
0512-1-	ALL		<b>MR548713</b>	1	
<b>63251R</b>					
0512-1-	ALL		<b>MR548714</b>	1	

42 -310 SIDE STRUCTURE

P N C	MODEL APPLICABLE	B	PART NO.	Q	REMARKS
FROM UP TO	TYPE DESCRIPTION	D	(REPL P/NO.)	Y	
<b>63465L</b> 0512-1-	PROTECTOR,RR PILLAR SILENCER,LH ALL		<b>MR466399</b>	1	
<b>63465R</b> 0512-1-	PROTECTOR,RR PILLAR SILENCER,RH ALL		<b>MR466400</b>	1	
<b>63606L</b> 0512-1-	PANEL,RR WHEELHOUSE,INR LH ALL		<b>MN161535</b>	1	
<b>63606R</b> 0512-1-	PANEL,RR WHEELHOUSE,INR RH ALL		<b>MN161536</b>	1	
<b>63634L</b> 0512-1-	PLATE,SIDE SILL RR END,LH ALL		<b>MR548723</b>	1	
<b>63634R</b> 0512-1-	PLATE,SIDE SILL RR END,RH ALL		<b>MR548724</b>	1	
<b>63646L</b> 0512-1-0804-3	SIDE SILL,FR FLOOR,OTR LH CS6A SNJERDW		<b>MR990523</b>	1	
0512-1-0804-3	CS6A SNJERDW		<b>MR990535</b>	1	
0805-1-	CS6A ALL		<b>MR990535</b>	1	
<b>63646R</b> 0512-1-0804-3	SIDE SILL,FR FLOOR,OTR RH CS6A SNJERDW		<b>MR990524</b>	1	
0512-1-0804-3	CS6A SNJERDW		<b>MR990536</b>	1	
0805-1-	CS6A ALL		<b>MR990536</b>	1	
<b>64444L</b> 0512-1-	PANEL,RR COMBINATION LAMP HOUSING,LH ALL		<b>MR548717</b>	1	
<b>64444R</b> 0512-1-	PANEL,RR COMBINATION LAMP HOUSING,RH ALL		<b>MR548718</b>	1	
<b>65107L</b> 0512-1-	BRACE,RR FLOOR SIDE,LH ALL		<b>MR548719</b>	1	
<b>65107R</b> 0512-1-	BRACE,RR FLOOR SIDE,RH ALL		<b>MR548720</b>	1	
<b>72202L</b> 0512-1-	BRACE,RR SHELF,LH ALL		<b>MR592309</b>	1	
<b>72202R</b> 0512-1-	BRACE,RR SHELF,RH ALL		<b>MR592310</b>	1	
<b>78357L</b> 0512-1-	RAIL,ROOF SIDE,INR LH ALL		<b>MR990511</b>	1	
<b>78357R</b> 0512-1-	RAIL,ROOF SIDE,INR RH ALL		<b>MR990512</b>	1	

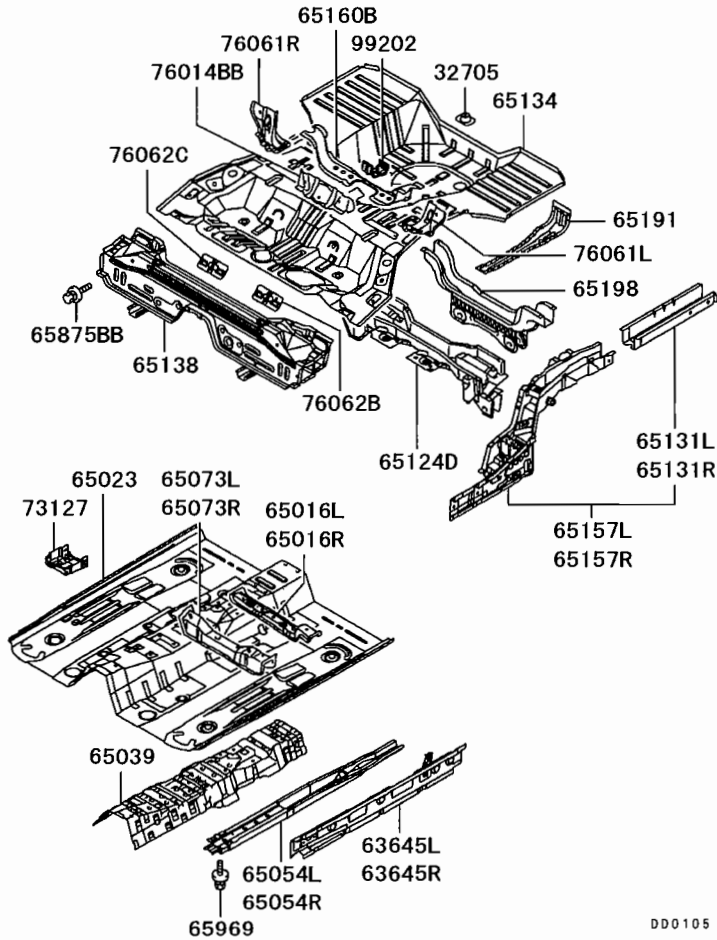
## 42 -320 FUEL FILLER LID & LOCK



P N C	MODEL APPLICABLE		PART NO. (REPL. P.N.O.)	Q Y	RE M A R K S
	FROM-UP TO	TYPE			
<b>05000</b>					
0512-1-			<b>5940A010</b>	1	
<b>05012</b>					
0512-1-			<b>MR303200</b>	1	
<b>05087</b>					
0512-1-			<b>MU240008</b>	2	WASHER ASSEMBLED,6X16
<b>05096</b>					
0512-1-			<b>MR970563</b>	1	

D00006A

## 42-370 FLOOR

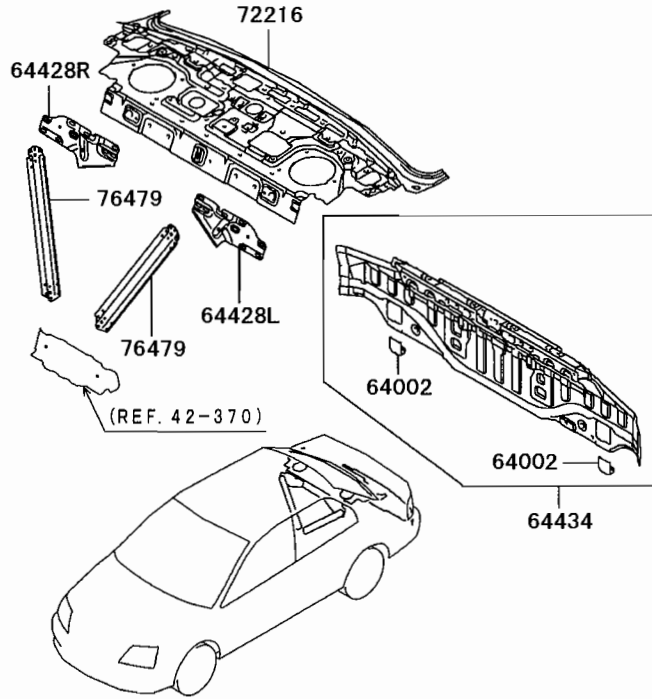


P N C	MODEL APPLICABLE		REP	PART NO. (REPL P/NO.)	QTY	REMARKS
	FROM/UP TO	TYPE DESCRIPTION				
<b>32705</b>		BRACKET, SPARE TIRE				
0512-1-		ALL		<b>MR465768</b>	1	
<b>63645L</b>		SIDE SILL, FR FLOOR, INR LH				
0512-1-		ALL		<b>MR547329</b>	1	
<b>63645R</b>		SIDE SILL, FR FLOOR, INR RH				
0512-1-		ALL		<b>MR592990</b>	1	
<b>65016L</b>		CROSSMEMBER, FR FLOOR, RR LH				
0512-1-		ALL		<b>MR547327</b>	1	
<b>65016R</b>		CROSSMEMBER, FR FLOOR, RR RH				
0512-1-		ALL		<b>MR547328</b>	1	
<b>65023</b>		FLOOR, FR				
0512-1-		ALL		<b>MR547324</b>	1	
<b>65039</b>		REINFORCEMENT, FR FLOOR BACKBONE				
0512-1-		ALL		<b>MR547333</b>	1	
<b>65054L</b>		SIDEMEMBER, FR FLOOR, LH				
0512-1-		ALL		<b>MR547331</b>	1	
<b>65054R</b>		SIDEMEMBER, FR FLOOR, RH				
0512-1-		ALL		<b>MR990418</b>	1	
<b>65073L</b>		CROSSMEMBER, FR FLOOR, FR LH				
0512-1-		ALL		<b>MR981397</b>	1	
<b>65073R</b>		CROSSMEMBER, FR FLOOR, FR RH				
0512-1-		ALL		<b>MR981398</b>	1	
<b>65124D</b>		CROSSMEMBER, RR FLOOR				
0512-1-		ALL		<b>MR547339</b>	1	
<b>65131L</b>		EXTENSION, RR FLOOR SIDEMEMBER, LH				
0512-1-		ALL		<b>MN186649</b>	1	
<b>65131R</b>		EXTENSION, RR FLOOR SIDEMEMBER, RH				
0512-1-		ALL		<b>MN186650</b>	1	
<b>65134</b>		FLOOR, RR				
0512-1-		ALL	Y	<b>MR547336</b> <b>(5251B018)</b>	1	
<b>65138</b>		EXTENSION, RR FLOOR				
0512-1-		ALL		<b>MR990847</b>	1	
<b>65157L</b>		SIDEMEMBER, RR FLOOR, LH				
0512-1-		ALL		<b>MN150939</b>	1	
<b>65157R</b>		SIDEMEMBER, RR FLOOR, RH				
0512-1-		ALL		<b>MN150940</b>	1	
<b>65160B</b>		REINFORCEMENT, RR FLOOR, FR				
0512-1-		ALL		* *	1	REF. 5253B718
<b>65191</b>		REINFORCEMENT, RR FLOOR, RR				
0512-1-		ALL		<b>MR547346</b>	1	
<b>65198</b>		CROSSMEMBER, RR FLOOR, LWR				
0512-1-		ALL		<b>MR547345</b>	1	
<b>65875BB</b>		BOLT, RR FLOOR				
0512-1-		ALL		<b>MS240089</b>	2	WASHER ASSEMBLED, 10X20

42 -370 FLOOR

P N C	MODEL APPLICABLE	P	PART NO.	Q	REMARKS
FROM-UP TO	TYPE DESCRIPTION	P	(REPL P/NO.)	Y	
<b>65969</b> 0512-1-	BOLT,FR FLOOR ALL		<b>MS240139</b>	6	WASHER ASSEMBLED.8X20
<b>73127</b> 0512-1-	REINFORCEMENT,INSTRUMENT PANEL,CTR ALL		<b>MR547335</b>	1	
<b>76014BB</b> 0512-1-	BRACKET,RR SEAT BACK,LWR ALL		* *	1	REF 5271A059
<b>76061L</b> 0512-1-	REINFORCEMENT,RR SEAT CATCH,LH ALL		<b>MR547347</b>	1	
<b>76061R</b> 0512-1-	REINFORCEMENT,RR SEAT CATCH,RH ALL		<b>MR547348</b>	1	
<b>76062B</b> 0512-1-	REINFORCEMENT,RR SEAT BELT ALL		<b>MR547349</b>	1	
<b>76062C</b> 0512-1-	REINFORCEMENT,RR SEAT BELT ALL		<b>MR547350</b>	1	
<b>99202</b> 0512-1-	BRACKET,JACK ALL		<b>MR566048</b>	1	

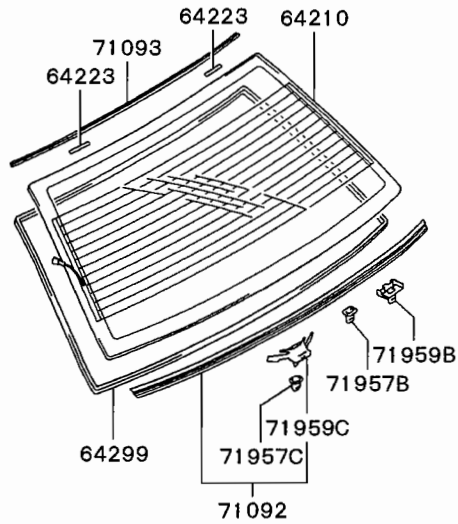
# 42-410 REAR END STRUCTURE



D00042

P N C	MODEL APPLICABLE		PART NO. (REPL P/NO.)	Q Y	REMARKS
	FROM/UP TO	TYPE			
<b>64002</b>					
0512-1-0804-3	CS6A	SNDERDW	<b>MR548870</b>	2	
<b>64428L</b>					
0512-1-			* *	1	REF.5271A055
<b>64428R</b>					
0512-1-			* *	1	REF.5271A056
<b>64434</b>					
0512-1-0804-3	CS6A	SNJERDW	<b>MN186601</b>	1	
0512-1-0804-3	CS6A	SNDERDW	<b>MR586049</b>	1	
0805-1-	CS6A	ALL	<b>MN186601</b>	1	
<b>72216</b>					
0512-1-			<b>5272A005</b>	1	
<b>76479</b>					
0512-1-			* *	2	REF.5271A057

## 42 -430 REAR WINDOW GLASS & MOULDING

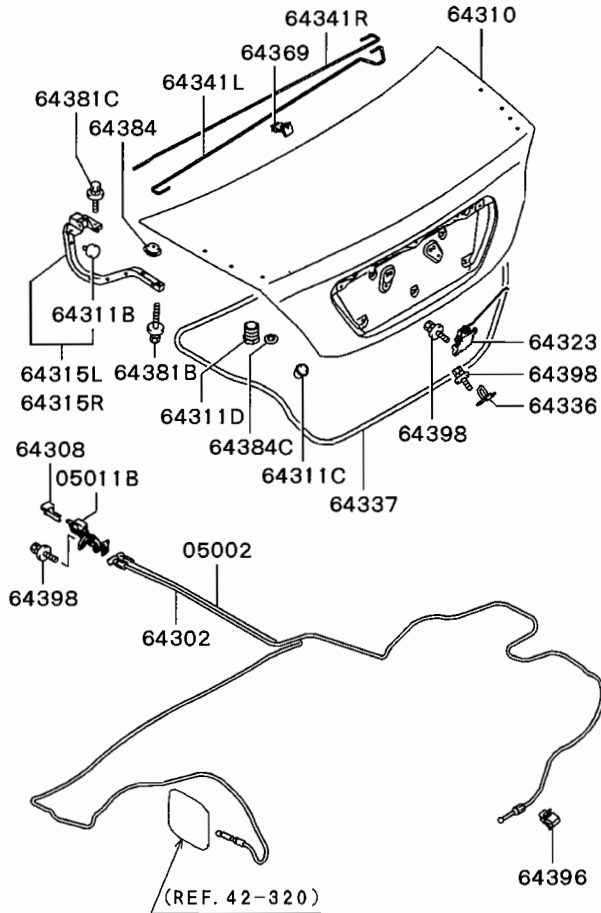


D00003C

P N C	MODEL APPLICABLE		R P	PART NO. (REPL. P/NO.)	Q Y	R E M A R K S
	FROM-UP TO	TYPE				
<b>64210</b> 0512-1-				<b>MR520282</b>	1	GREEN,HOT WIRE
<b>64223</b> 0512-1-				<b>MR520530</b>	2	
<b>64299</b> 0512-1-				<b>MB292508</b>	1	L-5000
<b>71092</b> 0512-1-				<b>MR520295</b>	1	
<b>71093</b> 0512-1-				<b>MR520294</b>	1	
<b>71957B</b> 0512-1-				<b>MB645307</b>	2	BLACK
<b>71957C</b> 0512-1-				<b>MR245808</b>	1	YELLOW
<b>71959B</b> 0512-1-				<b>MB814176</b>	2	
<b>71959C</b> 0512-1-				<b>MB814155</b>	5	



## 42-510 TRUNK LID & LOCK

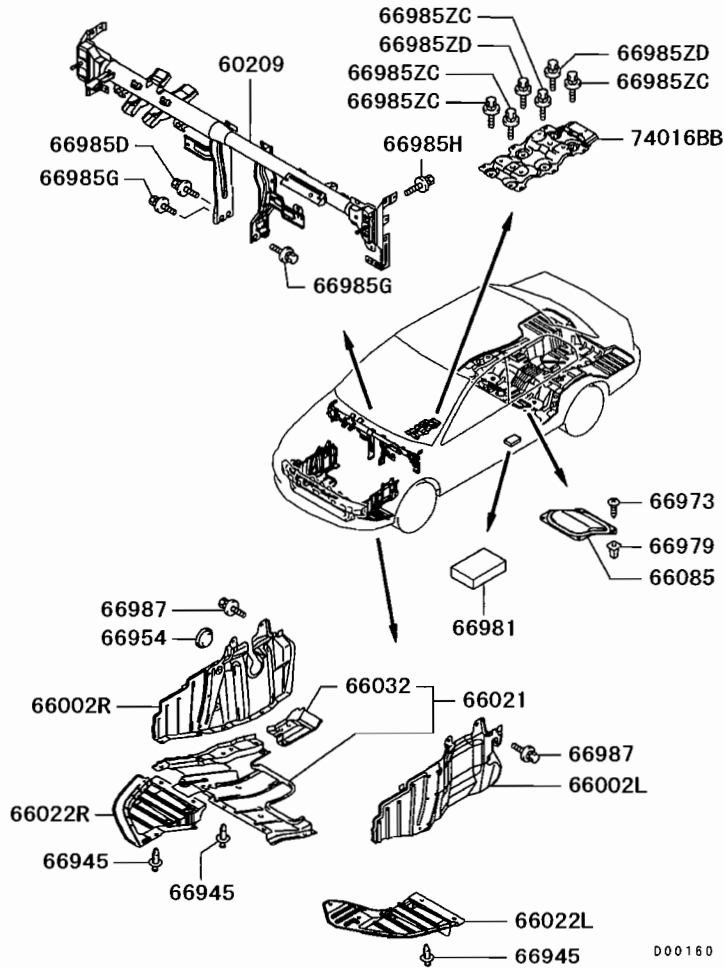


P N C	MODEL APPLICABLE		B P	PART NO. (REPL P/NO.)	Q Y	RE MARKS
	FROM UP TO	TYPE				
<b>05002</b>	0512-1-	ALL		<b>MR525705</b>	1	L=3686, BLACK/GREEN LINE
<b>05011B</b>	0512-1-	ALL		<b>MB402130</b>	1	BLACK INT-40X, 41Y, 42Y, 62F, 63P
<b>64302</b>	0512-1-	ALL		<b>MR525704</b>	1	L=3470, GRAY/GREEN LINE
<b>64308</b>	0512-1-	ALL		<b>MB402316</b>	1	BLACK INT-40X, 41Y, 42Y, 62F, 63P
<b>64310</b>	0512-1-0804-3	CS6A SNJERDW		<b>MN150621</b>	1	
	0512-1-	CS6A SNJERDW		<b>MN150622</b>	1	
	0805-1-	CS6A SNJERDW SNJERDW2		<b>MN150621</b>	1	
<b>64311B</b>	0512-1-	ALL		<b>MR573816</b>	2	
<b>64311C</b>	0512-1-	ALL		<b>MB402060</b>	2	HOLE(11)
<b>64311D</b>	0512-1-	ALL		<b>MR335268</b>	2	
<b>64315L</b>	0512-1-	ALL		<b>MR954153</b>	1	
<b>64315R</b>	0512-1-	ALL		<b>MR954154</b>	1	
<b>64323</b>	0512-1-	ALL		<b>MR379216</b>	1	
<b>64336</b>	0512-1-	ALL		<b>MB197499</b>	1	
<b>64337</b>	0512-1-	ALL	Y	<b>MR526268</b> (MR526269)	1	
<b>64341L</b>	0512-1-0804-3	CS6A SNJERDW		<b>MN159483</b>	1	WHITE-GREEN PAINTING
	0512-1-	CS6A SNJERDW		<b>MN159485</b>	1	GREEN PAINTING
	0805-1-	CS6A SNJERDW SNJERDW2		<b>MN159483</b>	1	WHITE-GREEN PAINTING
<b>64341R</b>	0512-1-0804-3	CS6A SNJERDW		<b>MN159484</b>	1	RED PAINTING
	0512-1-	CS6A SNJERDW		<b>MN159486</b>	1	YELLOW PAINTING
	0805-1-	CS6A SNJERDW SNJERDW2		<b>MN159484</b>	1	RED PAINTING
<b>64369</b>	0512-1-	ALL		<b>MN190216</b>	1	
<b>64381B</b>	0512-1-	ALL		<b>MS240202</b>	4	WASHER ASSEMBLED, 6X40 COLORED
<b>64381C</b>	0512-1-0711-3	ALL		<b>MS240303</b>	4	WASHER ASSEMBLED, 6X25

42 -510 TRUNK LID & LOCK

P N C	MODEL APPLICABLE	PART NO.	Q	REMARKS
FROM-UP TO	TYPE DESCRIPTION	(REPL P/NO.)	Y	
<b>64381C</b> 0712-1-	BOLT,TRUNK LID HINGE ALL	<b>MS240143</b>	4	WASHER ASSEMBLED,6X25 COLORED
<b>64384</b> 0512-1-	PLUG,TRUNK LID ALL	Y <b>MB118900</b> <b>(MU670031)</b>	2	PVC
<b>64384C</b> 0512-1-0612-3	PLUG,TRUNK LID ALL	<b>MU670022</b>	2	RUBBER
0701-1-	ALL	<b>MU670003</b>	2	VINYL
<b>64396</b> 0512-1-	CLIP,TRUNK LID LOCKING ALL	<b>MB270319</b>	1	S
<b>64398</b> 0512-1-	BOLT,TRUNK LID LOCKING ALL	<b>MS240121</b>	5	WASHER ASSEMBLED,6X16

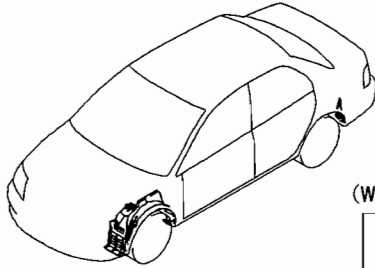
## 42 -610 LOOSE PANEL



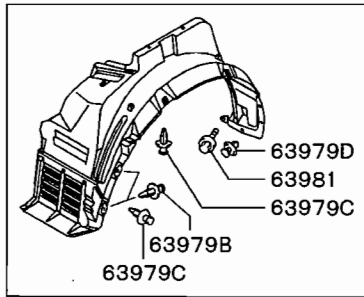
P N C	MODEL APPLICABLE		PART NO. (REPL P/NO.)	Q Y	RE MARKS
	FROM/UP TO	TYPE			
<b>60209</b>					
0512-1-	ALL		<b>MR548876</b>	1	
<b>66002L</b>					
0512-1-	ALL		<b>MR479170</b>	1	
<b>66002R</b>					
0512-1-	ALL		<b>MR479172</b>	1	
<b>66021</b>					
0512-1-	ALL		<b>MR539599</b>	1	
<b>66022L</b>					
0512-1-0804-3	CS6A	SNDERDW	<b>MR557677</b>	1	
0512-1-0804-3	CS6A	SNJERDW	<b>MR557679</b>	1	
0805-1-	CS6A	ALL	<b>MR557679</b>	1	
<b>66022R</b>					
0512-1-0804-3	CS6A	SNDERDW	<b>MR557678</b>	1	
0512-1-0804-3	CS6A	SNJERDW	<b>MR557680</b>	1	
0805-1-	CS6A	ALL	<b>MR557680</b>	1	
<b>66032</b>					
0512-1-	ALL		<b>MR591305</b>	1	
<b>66085</b>					
0512-1-	ALL		<b>MR479372</b>	1	
<b>66945</b>					
0512-1-	ALL		<b>MR328954</b>	15	8X22
<b>66954</b>					
0512-1-	ALL		<b>MU670027</b>	1	RUBBER
<b>66973</b>					
0512-1-	ALL		<b>MF453031</b>	4	TAPPING,5X12
<b>66979</b>					
0512-1-	ALL		<b>MB174347</b>	4	SCREW,5
<b>66981</b>					
0512-1-	ALL		<b>MR536080</b>	2	BLACK,55X20X320
<b>66985D</b>					
0512-1-	ALL		<b>MB330946</b>	1	WASHER ASSEMBLED,6X20
<b>66985G</b>					
0512-1-	ALL		<b>MS240141</b>	3	WASHER ASSEMBLED,6X16 COLORED
<b>66985H</b>					
0512-1-	ALL		<b>MR384300</b>	4	WASHER ASSEMBLED,10X60
<b>66985ZC</b>					
0512-1-	ALL		<b>MS240125</b>	4	WASHER ASSEMBLED,8X20
<b>66985ZD</b>					
0512-1-	ALL		<b>MU240002</b>	2	WASHER ASSEMBLED,8X20
<b>66987</b>					
0512-1-	ALL		<b>MS240125</b>	4	WASHER ASSEMBLED,8X20
<b>74016BB</b>					
0512-1-	ALL		<b>MR586104</b>	1	

# 42 -650 PLUGS,COVERS & SHIELD

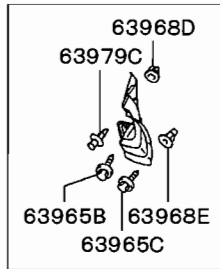
CS6A:SPLASH SHIELD



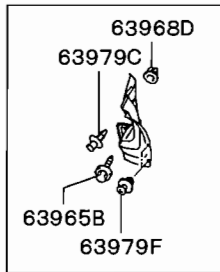
(W/RR MUD GUARD)



70328L  
70328R



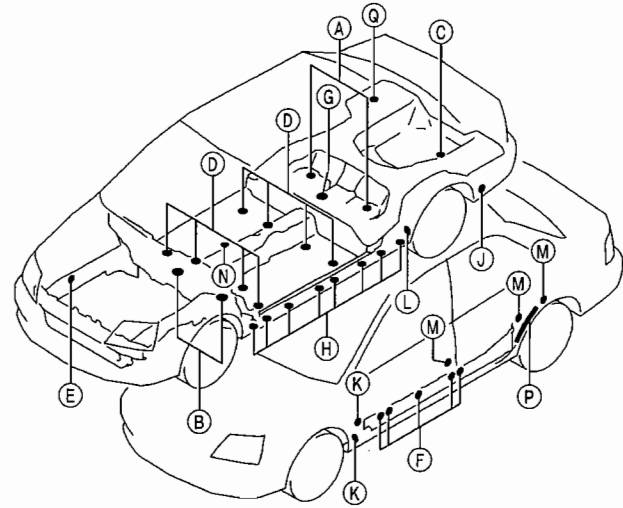
70319L  
70319R

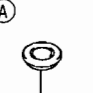
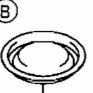
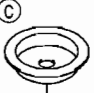
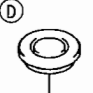
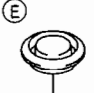
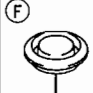
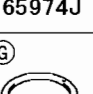
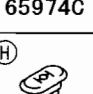
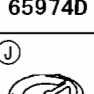
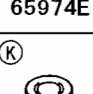
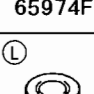
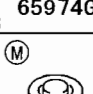
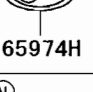

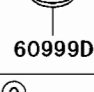


70319L  
70319R

D00080A

CS6A:PLUG



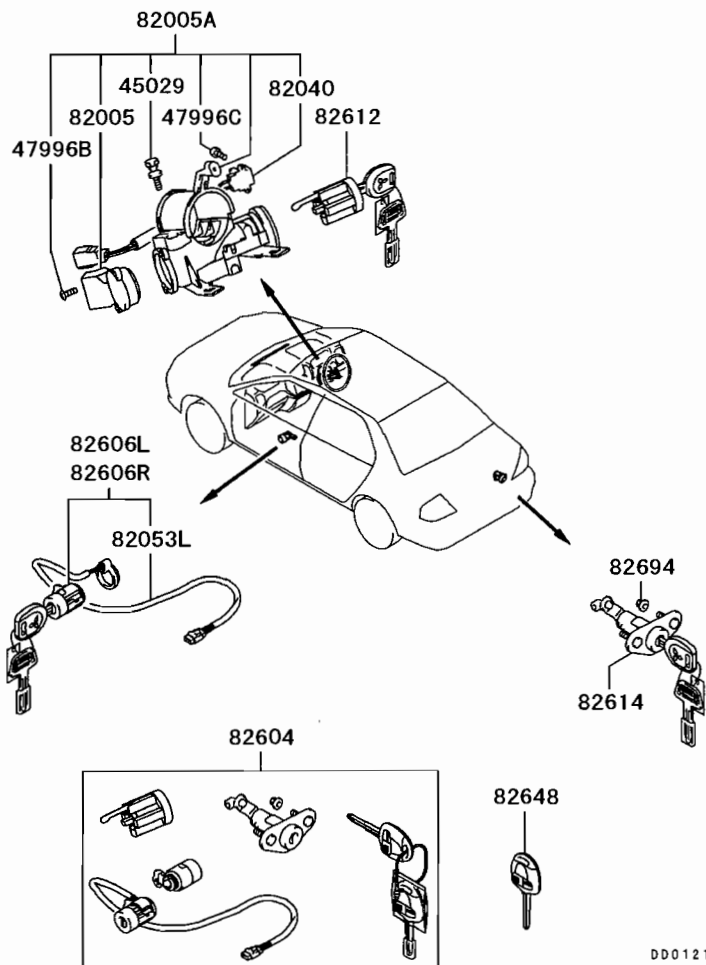
 A 65974J	 B 65974C	 C 65974D	 D 65974E	 E 65974F	 F 65974G
 G 65974H	 H 60996	 J 60999B	 K 60999C	 L 60999D	 M 60999F
 N 65974K	 P 60999E			 Q 65985	

D00163

42 -650 PLUGS,COVERS & SHIELD

P N C		MODEL APPLICABLE		Q	REMARKS	P N C		MODEL APPLICABLE		Q	REMARKS
FROM-UP TO	TYPE	DESCRIPTION	PART NO. (REPL P/NO.)			FROM-UP TO	TYPE	DESCRIPTION	PART NO. (REPL P/NO.)		
<b>60996</b>		GROMMET,BODY				<b>65974J</b>		PLUG,FLOOR			
0512-1-0804-3	CS6A	SNJERDW	<b>MU482009</b>	18		0512-1-	ALL		<b>MT134301</b>	4	FLOOR,STEEL.24.1
<b>60999B</b>		PLUG,BODY				<b>65974K</b>		PLUG,FLOOR			
0512-1-	ALL		<b>MB406988</b>	2	39	0512-1-	ALL		<b>MU670024</b>	1	RUBBER,25
<b>60999C</b>		PLUG,BODY				<b>65985</b>		GROMMET,FLOOR			
0512-1-0706-3	CS6A	ALL	<b>MU670023</b>	4	20	0512-1-	ALL		<b>MU480022</b>	1	5
0707-1-	CS6A	ALL	<b>MU670023</b>	2	20	<b>70319L</b>		SHIELD KIT,SPLASH,RR LH			
<b>60999D</b>		PLUG,BODY				0512-1-0804-3	CS6A	SNJERDW	<b>MN161155</b>	1	
0512-1-	ALL		<b>MU670024</b>	2	25	0512-1-0804-3	CS6A	SNJERDW	<b>MN161159</b>	1	
<b>60999E</b>		PLUG,BODY				0805-1-	CS6A	ALL	<b>MN161155</b>	1	
0512-1-0709-3	ALL		<b>MR467035</b>	2		<b>70319R</b>		SHIELD KIT,SPLASH,RR RH			
<b>60999F</b>		PLUG,BODY				0512-1-0804-3	CS6A	SNJERDW	<b>MN161158</b>	1	
0512-1-	ALL		<b>MU670021</b>	6	12	0512-1-0804-3	CS6A	SNJERDW	<b>MN161160</b>	1	
<b>63965B</b>		SCREW,SPLASH SHIELD				0805-1-	CS6A	ALL	<b>MN161160</b>	1	
0512-1-	ALL		<b>MS452348</b>	2		<b>70328L</b>		SHIELD KIT,SPLASH,FR LH			
<b>63965C</b>		SCREW,SPLASH SHIELD				0512-1-0804-3	CS6A	SNJERDW	<b>MN150569</b>	1	
0512-1-0804-3	ALL		<b>MS452393</b>	4		0512-1-0804-3	CS6A	SNJERDW	<b>MN161707</b>	1	
<b>63968D</b>		GROMMET,SPLASH SHIELD				0805-1-	CS6A	ALL	<b>MN150569</b>	1	
0512-1-	ALL		<b>MS480003</b>	2	6	<b>70328R</b>		SHIELD KIT,SPLASH,FR RH			
<b>63968E</b>		GROMMET,SPLASH SHIELD				0512-1-0804-3	CS6A	SNJERDW	<b>MN150570</b>	1	
0512-1-0804-3	CS6A	SNJERDW	<b>MR971765</b>	4	6	0512-1-0804-3	CS6A	SNJERDW	<b>MN161708</b>	1	
<b>63979B</b>		CLIP,SPLASH SHIELD				0805-1-	CS6A	ALL	<b>MN150570</b>	1	
0512-1-	ALL		<b>MB253964</b>	4							
<b>63979C</b>		CLIP,SPLASH SHIELD									
0512-1-	ALL		<b>MR288150</b>	20							
<b>63979D</b>		CLIP,SPLASH SHIELD									
0512-1-0804-3	CS6A	SNJERDW	<b>MU488006</b>	2							
0805-1-	CS6A	ALL	<b>MU488006</b>	2							
<b>63979F</b>		CLIP,SPLASH SHIELD									
0512-1-0804-3	CS6A	SNJERDW	<b>MR971764</b>	4							
0805-1-	CS6A	ALL	<b>MR971764</b>	4							
<b>63981</b>		BOLT,SPLASH SHIELD									
0512-1-	ALL		<b>MS100222</b>	2							
<b>65974C</b>		PLUG,FLOOR									
0512-1-	ALL		<b>MB575310</b>	2	70						
<b>65974D</b>		PLUG,FLOOR									
0512-1-	ALL		<b>MT406751</b>	1							
<b>65974E</b>		PLUG,FLOOR									
0512-1-	ALL		<b>MU670025</b>	8							
<b>65974F</b>		PLUG,FLOOR									
0512-1-	ALL		<b>MU670033</b>	1							
<b>65974G</b>		PLUG,FLOOR									
0512-1-	ALL		<b>MU670035</b>	8							
<b>65974H</b>		PLUG,FLOOR									
0512-1-	ALL		<b>MB015890</b>	1	79						

## 42 -710 LOCK CYLINDER & KEY



DD0121

P N C	MODEL APPLICABLE		PART NO. (REPL. P/N.O.)	QTY	REMARKS
	FROM-UP TO	TYPE			
<b>45029</b>					
0512-1-			<b>MB572857</b>	2	
<b>47996B</b>					
0512-1-			<b>MS200124</b>	1	TAPPING,4X20 COLORED
<b>47996C</b>					
0512-1-			<b>MR182607</b>	2	TAPPING
<b>82005</b>					
0512-1-0702-3			<b>MR449457</b>	1	
0703-1-			<b>MN113754</b>	1	
<b>82005A</b>					
0512-1-0702-3			<b>MR307570</b> ( <b>MN113397</b> )	1	
0703-1-0804-3			<b>MN113397</b>	1	
0805-1-			<b>MR334282</b>	1	
<b>82040</b>					
0512-1-0804-3			<b>MR449458</b>	1	
0805-1-			<b>MR449459</b>	1	FOR IMMOBILIZER
<b>82053L</b>					
0512-1-			<b>MR526931</b>	1	
<b>82604</b>					
0512-1-0804-3			<b>6370A267</b>	1	
0805-1-			<b>6370A213</b>	1	
<b>82606L</b>					
0512-1-			<b>6370A193</b>	1	
<b>82606R</b>					
0512-1-			<b>6370A192</b>	1	
<b>82612</b>					
0512-1-0804-3			<b>6370A184</b>	1	
0805-1-			<b>6370A078</b>	1	
<b>82614</b>					
0512-1-			<b>6370A204</b>	1	
<b>82648</b>					
0512-1-0804-3			<b>MN141007</b>	2	BATTERY:CR1616
0805-1-			<b>MN141010</b>	2	W/IMMOBILIZER BATTERY:CR1616
<b>82694</b>					
0512-1-			<b>MS440502</b>	2	WASHER ASSEMBLED,6 WASHER(14)

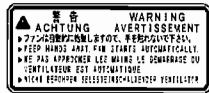
42 -810 PLATE & LABEL



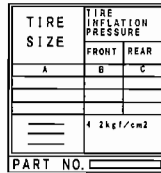
71831



71674



71546

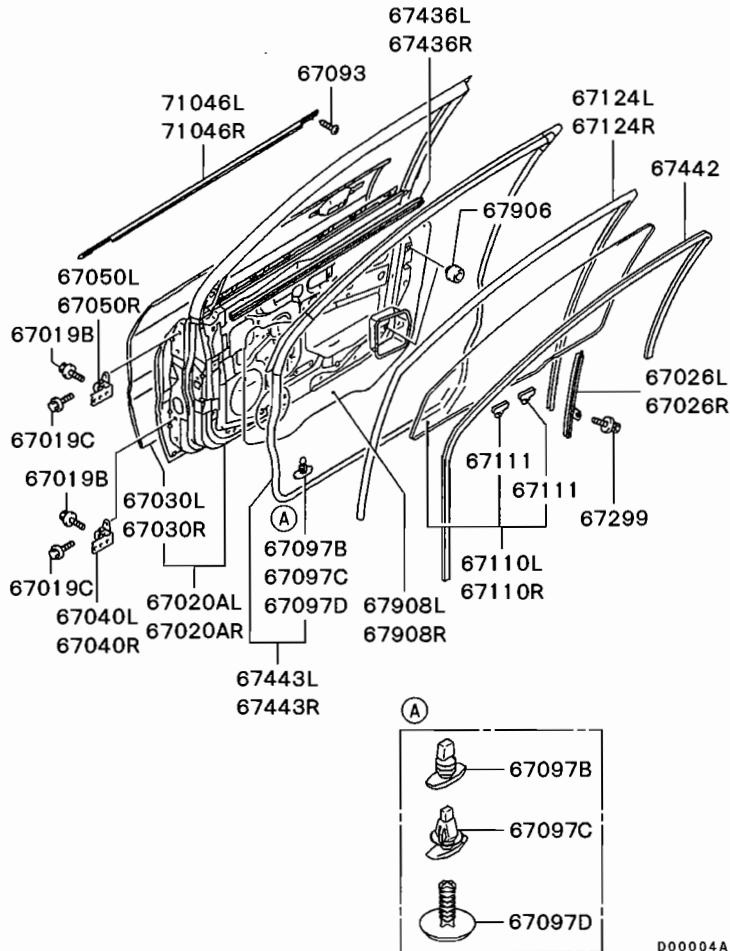


71757

D00121

P N C	MODEL APPLICABLE		B P F	PART NO. (REPL P/NO.)	Q Y	REMARKS
	FROM-UP TO	TYPE				
<b>71546</b>						
0512-1-				<b>MR460466</b>	1	
<b>71674</b>						
0512-1-				<b>MB348422</b>	1	
<b>71757</b>						
0512-1-				<b>MN101527</b>	1	
<b>71831</b>						
0512-1-0602-3				<b>MR958646</b>	1	

### 43-110 FRONT DOOR PANEL & GLASS



000004A

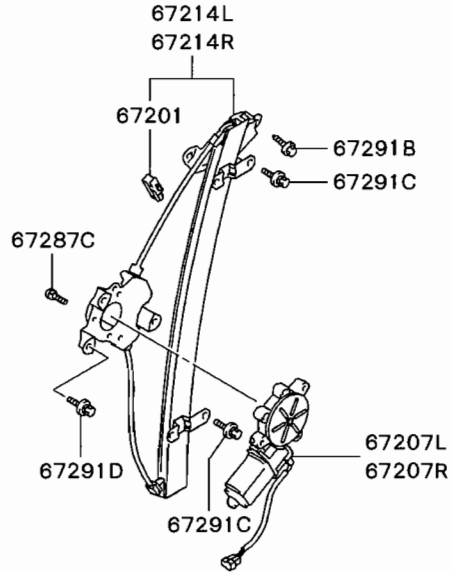
P N C	MODEL APPLICABLE		REP	PART NO. (REPL. P/NO.)	QTY	REMARKS
	FROM-UP TO	TYPE				
<b>67019B</b>						
0512-1-				<b>MU140017</b>	8	FLANGE,8X20
<b>67019C</b>						
0512-1-				<b>MU240121</b>	8	WASHER ASSEMBLED,8T,8X28
<b>67020AL</b>						
0512-1-				<b>MN150435</b>	1	
<b>67020AR</b>						
0512-1-				<b>MN150436</b>	1	
<b>67026L</b>						
0512-1-				<b>MR523670</b>	1	
<b>67026R</b>						
0512-1-				<b>MR525514</b>	1	
<b>67030L</b>						
0512-1-				<b>MR555055</b>	1	
<b>67030R</b>						
0512-1-				<b>MR555056</b>	1	
<b>67040L</b>						
0512-1-				<b>MR302271</b>	1	
<b>67040R</b>						
0512-1-				<b>MR302270</b>	1	
<b>67050L</b>						
0512-1-				<b>MR302270</b>	1	
<b>67050R</b>						
0512-1-				<b>MR302271</b>	1	
<b>67093</b>						
0512-1-				<b>MF453076</b>	2	TAPPING,BLACK,4X10
<b>67097B</b>						
0512-1-				<b>MU000255</b>	4	
<b>67097C</b>						
0512-1-				<b>MU000614</b>	34	
<b>67097D</b>						
0512-1-				<b>MR487965</b>	4	3.0
<b>67110L</b>						
0512-1-				<b>MR525731</b>	1	GREEN T=3.5
<b>67110R</b>						
0512-1-				<b>MR525732</b>	1	GREEN T=3.5
<b>67111</b>						
0512-1-				<b>MR523996</b>	4	
<b>67124L</b>						
0512-1-				<b>MR526473</b>	1	
<b>67124R</b>						
0512-1-				<b>MR526474</b>	1	
<b>67299</b>						
0512-1-				<b>MU000439</b>	2	6X16
<b>67436L</b>						
0512-1-				<b>MR526251</b>	1	BLACK



43 -110 FRONT DOOR PANEL & GLASS

P N C	MODEL APPLICABLE	PART NO.	Q	REMARKS
FROM/UP TO	TYPE DESCRIPTION	(REPL P/NO.)	T Y	
<b>67436R</b> 0512-1-	WEATHERSTRIP,FR DOOR BELT,INR RH ALL	<b>MR526252</b>	1	BLACK
<b>67442</b> 0512-1-0804-3	WEATHERSTRIP,FR DOOR OPENING,INR CS6A SNDERDW	<b>MR647404</b>	2	BEIGE INT:62F
0512-1-	CS6A SNJERDW	<b>MR627174</b>	2	D-GRAY INT:40X,63P
0805-1-	CS6A SNDERDW SNDERDW2	<b>MR647404</b>	2	BEIGE INT:41Y,42Y
<b>67443L</b> 0512-1-	WEATHERSTRIP,FR DOOR OPENING,OTR LH ALL	<b>MR525759</b> (MR525761)	1	
<b>67443R</b> 0512-1-	WEATHERSTRIP,FR DOOR OPENING,OTR RH ALL	<b>MR525760</b> (MR525762)	1	
<b>67906</b> 0512-1-	DAMPER,FR DOOR ALL	<b>MB019730</b>	4	
<b>67908L</b> 0512-1-	FILM,FR DOOR WATERPROOF,LH ALL	<b>MR556703</b>	1	
<b>67908R</b> 0512-1-	FILM,FR DOOR WATERPROOF,RH ALL	<b>MR556703</b>	1	
<b>71046L</b> 0512-1-	MOULDING,FR DOOR WINDOW BELT LINE,LH ALL	<b>MR525755</b>	1	BLACK
<b>71046R</b> 0512-1-	MOULDING,FR DOOR WINDOW BELT LINE,RH ALL	<b>MR525756</b>	1	BLACK

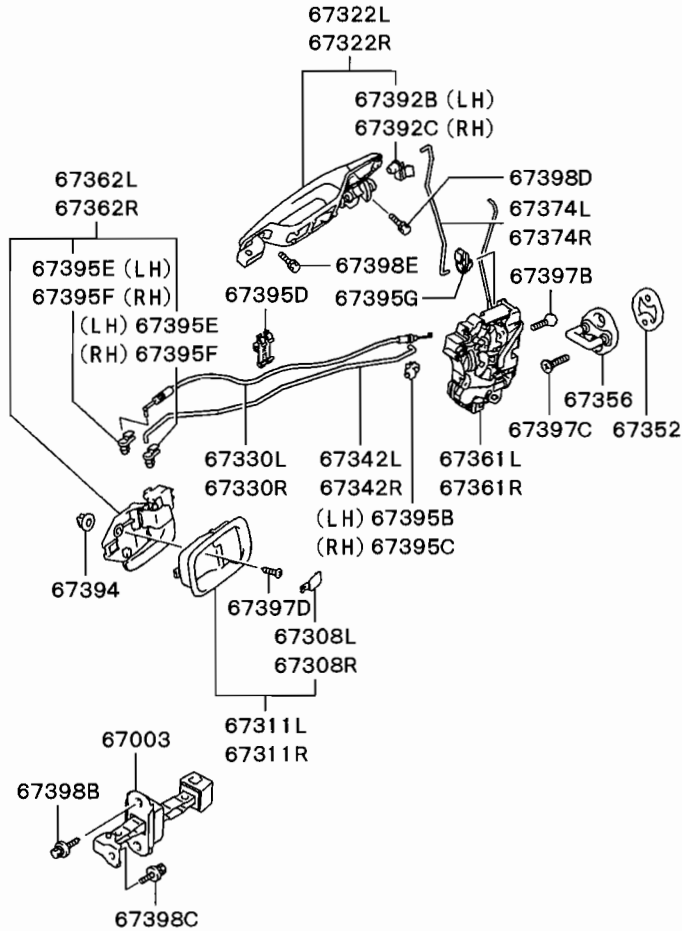
# 43 -130 FRONT DOOR WINDOW REGULATOR



D00004

P N C	MODEL APPLICABLE		P	PART NO. (REPL. P/NO.)	Q	REMARKS
	FROM-UP TO	TYPE				
<b>67201</b>						
0512-1-				<b>MN126160</b>	2	
<b>67207L</b>						
0512-1-				<b>MN126737</b>	1	
<b>67207R</b>						
0512-1-				<b>MN126738</b>	1	
<b>67214L</b>						
0512-1-				<b>MR991321</b>	1	
<b>67214R</b>						
0512-1-				<b>MR991322</b>	1	
<b>67287C</b>						
0512-1-				<b>MR264577</b>	6	
<b>67291B</b>						
0512-1-0612-3				<b>MS240028</b>	4	WASHER ASSEMBLED.6X12
0701-1-0801-1				<b>MB321590</b> (MU240062)	4	WASHER ASSEMBLED.6X10
0801-2-				<b>MF140202</b>	4	FLANGE.6X10
<b>67291C</b>						
0512-1-0612-3				<b>MB258979</b>	8	WASHER ASSEMBLED.6X8
0701-1-				<b>MB321590</b> (MU240062)	8	WASHER ASSEMBLED.6X10
<b>67291D</b>						
0512-1-0612-3				<b>MB258979</b>	6	WASHER ASSEMBLED.6X8
0701-1-				<b>MB321590</b> (MU240062)	6	WASHER ASSEMBLED.6X10

# 43 -140 FRONT DOOR LOCKING



0000168

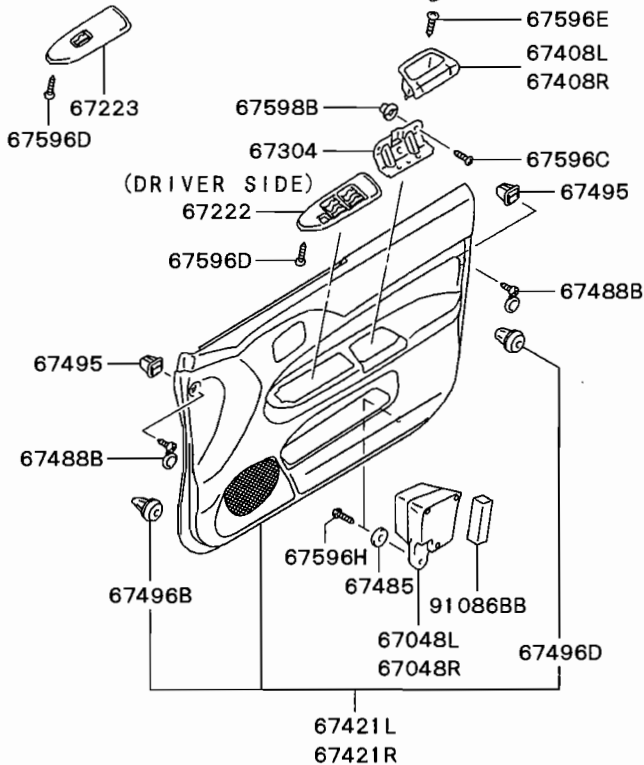
P N C	MODEL APPLICABLE		R E P	PART NO. (REPL. P.I.N.O.)	Q T Y	R E M A R K S
	FROM-UP TO	TYPE				
<b>67003</b>						
0512-1-0803-3				<b>MR526777</b>	2	
0804-1-				<b>5702A084</b>	2	
<b>67308L</b>						
0512-1-0703-2	CS6A	SNJERDW		<b>MR573539</b>	1	D-GRAY INT:63P
0512-1-0804-3	CS6A	SNJERDW		<b>MR647065</b>	1	BEIGE INT:62F
0703-3-	CS6A	SNJERDW		<b>MR655775</b>	1	BLACK INT:40X,63P
0805-1-	CS6A	SNJERDW SNJERDW2		<b>MR647065</b>	1	BEIGE INT:41Y,42Y
<b>67308R</b>						
0512-1-0703-2	CS6A	SNJERDW		<b>MR573544</b>	1	D-GRAY INT:63P
0512-1-0804-3	CS6A	SNJERDW		<b>MR647066</b>	1	BEIGE INT:62F
0703-3-	CS6A	SNJERDW		<b>MR655776</b>	1	BLACK INT:40X,63P
0805-1-	CS6A	SNJERDW SNJERDW2		<b>MR647066</b>	1	BEIGE INT:41Y,42Y
<b>67311L</b>						
0512-1-0703-2	CS6A	SNJERDW		<b>MR627178</b>	1	D-GRAY INT:63P
0512-1-0804-3	CS6A	SNJERDW		<b>MR647061</b>	1	BEIGE INT:62F
0703-3-	CS6A	SNJERDW		<b>MR656175</b>	1	BLACK INT:40X,63P
0805-1-	CS6A	SNJERDW SNJERDW2		<b>MR647061</b>	1	BEIGE INT:41Y,42Y
<b>67311R</b>						
0512-1-0703-2	CS6A	SNJERDW		<b>MR627179</b> <b>(MR656176)</b>	1	D-GRAY INT:63P
0512-1-0804-3	CS6A	SNJERDW		<b>MR647062</b>	1	BEIGE INT:62F
0703-3-	CS6A	SNJERDW		<b>MR656176</b>	1	BLACK INT:40X,63P
0805-1-	CS6A	SNJERDW SNJERDW2		<b>MR647062</b>	1	BEIGE INT:41Y,42Y
<b>67322L</b>						
0512-1-0804-3	CS6A	SNJERDW		<b>MR970307</b>	1	CHROME PLATING EXT:200B
0512-1-	CS6A	SNJERDW		<b>MR970229</b>	1	WHITE EXT:200D
0805-1-	CS6A	SNJERDW SNJERDW2		<b>MR970307</b>	1	CHROME PLATING EXT:200B
<b>67322R</b>						
0512-1-0804-3	CS6A	SNJERDW		<b>MR970308</b>	1	CHROME PLATING EXT:200B
0512-1-	CS6A	SNJERDW		<b>MR970248</b>	1	WHITE EXT:200D
0805-1-	CS6A	SNJERDW SNJERDW2		<b>MR970308</b>	1	CHROME PLATING EXT:200B
<b>67330L</b>						
0512-1-				<b>MN159617</b>	1	
<b>67330R</b>						
0512-1-				<b>MN159618</b>	1	
<b>67342L</b>						
0512-1-				<b>MN159615</b>	1	
<b>67342R</b>						
0512-1-				<b>MN159616</b>	1	
<b>67352</b>						
0512-1-				<b>MB888461</b>	AR	T=1.6
<b>67356</b>						
0512-1-				<b>MN127079</b>	2	
<b>67361L</b>						
0512-1-				<b>MN159621</b>	1	

### 43 -140 FRONT DOOR LOCKING

P N C		MODEL APPLICABLE		QTY	REMARKS	P N C		MODEL APPLICABLE		QTY	REMARKS
FROM-UP TO	TYPE	DESCRIPTION	PART NO. (REPL P/NO.)			FROM-UP TO	TYPE	DESCRIPTION	PART NO. (REPL P/NO.)		
<b>67361R</b> 0512-1-		LATCH,FR DOOR,RH ALL	<b>MN159936</b>	1		<b>67398B</b> 0512-1-		BOLT,FR DOOR LOCKING ALL	<b>MS240041</b>	4	WASHER ASSEMBLED,6X16
<b>67362L</b> 0512-1-0703-2 0512-1-0804-3	<b>CS6A</b>	SNJERDW SNJERDW	<b>5716A171HA</b> <b>5716A169HA</b>	1 1	D-GRAY INT:63P CHRPLATING INT:62F CROME PLATING	<b>67398C</b> 0512-1-		BOLT,FR DOOR LOCKING ALL	<b>MS240593</b>	2	WASHER ASSEMBLED,6X20
0703-3- 0805-1-	<b>CS6A</b>	SNJERDW SNJERDW SNJERDW2	<b>5716A171XA</b> <b>5716A319XA</b>	1 1	BLACK INT:40X,63P BLACK/CHROME	<b>67398D</b> 0512-1-		BOLT,FR DOOR LOCKING ALL	<b>MU240162</b>	2	WASHER ASSEMBLED,6X12
<b>67362R</b> 0512-1-0703-2 0512-1-0804-3	<b>CS6A</b>	SNJERDW SNJERDW	<b>5716A172HA</b> <b>5716A170HA</b>	1 1	D-GRAY INT:63P CHRPLATING INT:62F CROME PLATING	<b>67398E</b> 0512-1-		BOLT,FR DOOR LOCKING ALL	<b>MF240022</b>	2	WASHER ASSEMBLED,6X10
0703-3- 0805-1-	<b>CS6A</b>	SNJERDW SNJERDW SNJERDW2	<b>5716A172XA</b> <b>5716A320XA</b>	1 1	BLACK INT:40X,63P BLACK/CHROME						
<b>67374L</b> 0512-1-		ROD,FR DOOR OUTSIDE HANDLE,LH ALL	<b>MN159613</b>	1							
<b>67374R</b> 0512-1-		ROD,FR DOOR OUTSIDE HANDLE,RH ALL	<b>MN159614</b>	1							
<b>67392B</b> 0512-1-		SNAP,FR DOOR LOCKING ALL	<b>MU481091</b>	1							
<b>67392C</b> 0512-1-		SNAP,FR DOOR LOCKING ALL	<b>MU481090</b>	1	WHITE						
<b>67394</b> 0512-1-		GROMMET,FR DOOR LOCKING ALL	<b>MU000314</b>	2							
<b>67395B</b> 0512-1-		CLIP,FR DOOR LOCKING ALL	<b>MU481194</b>	1	6 GREEN						
<b>67395C</b> 0512-1-		CLIP,FR DOOR LOCKING ALL	<b>MU481193</b>	1	8 ORANGE						
<b>67395D</b> 0512-1-		CLIP,FR DOOR LOCKING ALL	<b>MU481211</b>	2	6.9						
<b>67395E</b> 0512-1-		CLIP,FR DOOR LOCKING ALL	<b>MS470433</b>	2	4.2 WHITE						
<b>67395F</b> 0512-1-		CLIP,FR DOOR LOCKING ALL	<b>MS470434</b>	2	4.2 BLACK						
<b>67395G</b> 0512-1-		CLIP,FR DOOR LOCKING ALL	<b>MN145859</b>	2							
<b>67397B</b> 0512-1-0512-3 0512-1-		SCREW,FR DOOR LOCKING ALL ALL	<b>MU200079</b> <b>MU000957</b>	6 6	MACHINE(PLUS),6X18 MACHINE(TORX),6X12						
<b>67397C</b> 0512-1-0512-3		SCREW,FR DOOR LOCKING ALL	<b>MU000623</b>	4	MACHINE(PLUS),SILVER, 8X22.5						
0512-1- <b>67397D</b> 0512-1-		SCREW,FR DOOR LOCKING ALL	<b>MU000959</b> <b>MF453020</b>	4 2	MACHINE(TORX),8X22.5 TAPPING,4X20						

## 43 -160 FRONT DOOR TRIM & PULL HANDLE

(PASSENGER SIDE)



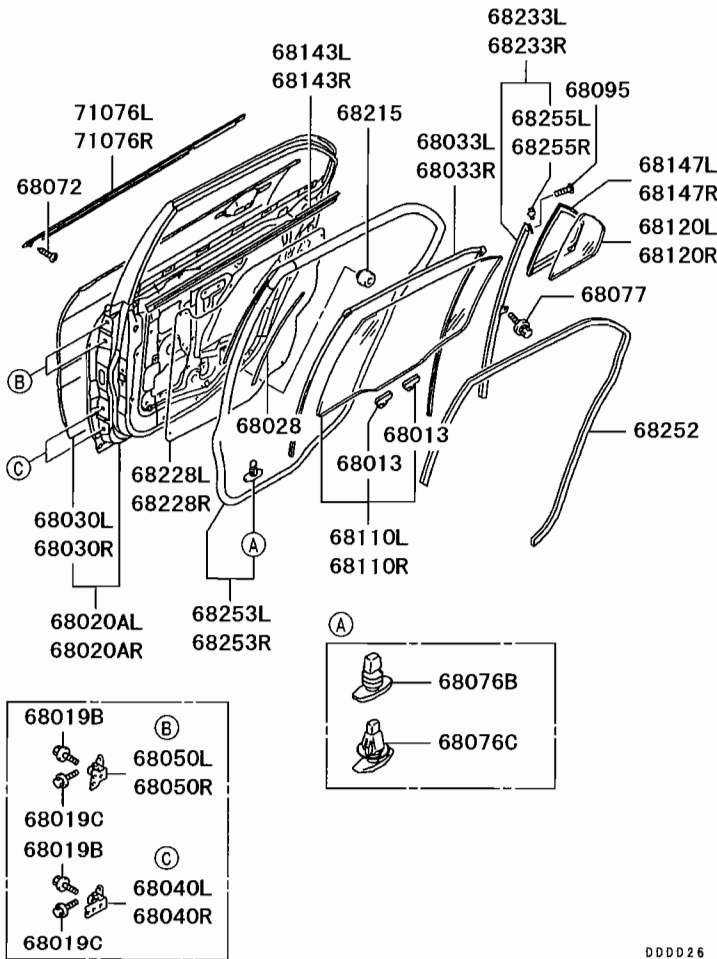
000025

P N C	MODEL APPLICABLE		TRIM	PART NO. (REPL. PINO.)	QTY	REMARKS
	FROM/UP TO	TYPE DESCRIPTION				
<b>67222</b>		PANEL,FR DOOR POWER WINDOW SWITCH		DRIVER SIDE		
0512-1-0804-3	CS6A	SNJERDW		MR979994YA	1	BEIGE INT.62F
0512-1-	CS6A	SNJERDW		MR979994HA	1	D-GRAY INT.40X.63P
0805-1-	CS6A	SNJERDW SNJERDW2		MR979994YA	1	BEIGE INT.41Y.42Y
<b>67223</b>		PANEL,FR DOOR POWER WINDOW SWITCH ASSISTANT SIDE				
0512-1-0804-3	CS6A	SNJERDW		MR979993YA	1	BEIGE INT.62F
0512-1-	CS6A	SNJERDW		MR979993HA	1	D-GRAY INT.40X.63P
0805-1-	CS6A	SNJERDW SNJERDW2		MR979993YA	1	BEIGE INT.41Y.42Y
<b>67304</b>		BRACKET,FR DOOR PULL HANDLE				
0512-1-	ALL			MR417133	2	
<b>67408L</b>		BOX,FR DOOR TRIM,LH				
0512-1-0804-3	CS6A	SNJERDW		MR647352	1	BEIGE INT.62F
0512-1-	CS6A	SNJERDW		MR627152	1	D-GRAY INT.40X.63P
0805-1-	CS6A	SNJERDW SNJERDW2		MR647352	1	BEIGE INT.41Y.42Y
<b>67408R</b>		BOX,FR DOOR TRIM,RH				
0512-1-0804-3	CS6A	SNJERDW		MR647353	1	BEIGE INT.62F
0512-1-	CS6A	SNJERDW		MR627153	1	D-GRAY INT.40X.63P
0805-1-	CS6A	SNJERDW SNJERDW2		MR647353	1	BEIGE INT.41Y.42Y
<b>67421L</b>		TRIM,FR DOOR,LH				
0512-1-0804-3	CS6A	SNJERDW		MR630455	1	D-GRAY/BLACK INT.63P
0512-1-0804-3	CS6A	SNJERDW		MR647739	1	BEIGE INT.62F
0805-1-	CS6A	SNJERDW		MR647688	1	D-GRAY INT.40X
0805-1-	CS6A	SNJERDW SNJERDW2		MR647739	1	BEIGE INT.41Y.42Y
<b>67421R</b>		TRIM,FR DOOR,RH				
0512-1-0804-3	CS6A	SNJERDW		MR630457	1	D-GRAY/BLACK INT.63P
0512-1-0804-3	CS6A	SNJERDW		MR647740	1	BEIGE INT.62F
0805-1-	CS6A	SNJERDW		MR647687	1	D-GRAY INT.40X
0805-1-	CS6A	SNJERDW SNJERDW2		MR647740	1	BEIGE INT.41Y.42Y
<b>67488B</b>		SCREW,FR DOOR TRIM				
0512-1-	CS6A	ALL		MR647351	4	BEIGE INT.41Y.42Y.62F W/ CAP
0512-1-	CS6A	ALL		MR602020	4	D-GRAY INT.40X.63P W/CAP
<b>67495</b>		GROMMET,FR DOOR TRIM				
0512-1-	ALL			MB692947	4	
<b>67496B</b>		CLIP,FR DOOR TRIM				
0512-1-	ALL			MU481245	14	NATURAL,18X13.2 W/O PACKING
<b>67496D</b>		CLIP,FR DOOR TRIM				
0512-1-	ALL			MU000609	2	SHORT TYPE
<b>67506</b>		CAP,FR DOOR ARMREST				
0512-1-0804-3	CS6A	SNJERDW		MR647348	2	BEIGE INT.62F
0512-1-	CS6A	SNJERDW		MR794191	2	D-GRAY INT.40X.63P
0805-1-	CS6A	SNJERDW SNJERDW2		MR647348	2	BEIGE INT.41Y.42Y
<b>67596C</b>		SCREW,FR DOOR ARMREST				
0512-1-	ALL			MF453046	4	TAPPING,6X14

43 -160 FRONT DOOR TRIM & PULL HANDLE

P N C	MODEL APPLICABLE		PART NO.	Q	REMARKS
FROM:UP TO	TYPE DESCRIPTION	QUANTITY	(REPL P/NO.)	↓	
<b>67596D</b> 0512-1-	SCREW,FR DOOR ARMREST ALL		<b>MF453016</b>	9	TAPPING,4X10
<b>67596E</b> 0512-1-	SCREW,FR DOOR ARMREST ALL		<b>MF453036</b>	2	TAPPING,5X30
<b>67598B</b> 0512-1-	GROMMET,FR DOOR ARMREST ALL		<b>MS480003</b>	4	6

### 43 -210 REAR DOOR PANEL & GLASS



DDDD26

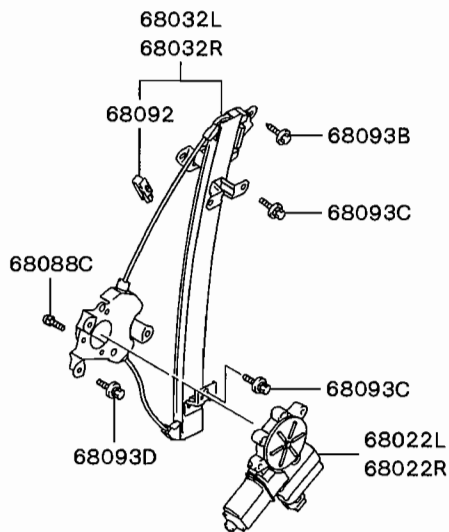
P N C	MODEL APPLICABLE		P	PART NO. (REPL P/NO.)	Q	REMARKS
	FROM-UP TO	TYPE				
<b>68013</b>						
0512-1-						
<b>68019B</b>				<b>MR503879</b>	4	
0512-1-						
<b>68019C</b>				<b>MU140017</b>	8	FLANGE,8X20
0512-1-						
<b>68020AL</b>				<b>MU240121</b>	8	WASHER ASSEMBLED,8T,8X28
0512-1-						
<b>68020AR</b>				<b>MN150439</b>	1	
0512-1-						
<b>68028</b>				<b>MN150440</b>	1	
0512-1-						
<b>68030L</b>				<b>MR523431</b>	2	
0512-1-						
<b>68030R</b>				<b>MR555063</b>	1	
0512-1-						
<b>68033L</b>				<b>MR555064</b>	1	
0512-1-0607-2						
<b>68033R</b>				<b>MR526477</b>	1	
0607-3-				<b>5735A235</b>	1	
<b>68040L</b>				<b>MR526478</b>	1	
0512-1-0607-2				<b>5735A236</b>	1	
<b>68040R</b>				<b>MR302271</b>	1	
0512-1-						
<b>68050L</b>				<b>MR302270</b>	1	
0512-1-						
<b>68050R</b>				<b>MR313665</b>	1	
0512-1-						
<b>68072</b>				<b>MR313666</b>	1	
0512-1-						
<b>68076B</b>				<b>MR313666</b>	1	
0512-1-				<b>MF453076</b>	2	TAPPING,BLACK,4X10
<b>68076C</b>						
0512-1-				<b>MU000255</b>	4	
<b>68077</b>				<b>MU000614</b>	34	
0512-1-						
<b>68095</b>				<b>MS240041</b>	2	WASHER ASSEMBLED,6X16
0512-1-						
<b>68110L</b>				<b>MF201546</b>	2	MACHINE,5X8
0512-1-						
<b>68110R</b>				<b>MR525741</b>	1	GREEN
0512-1-						
<b>68120L</b>				<b>MR525742</b>	1	GREEN
0512-1-						
<b>68120R</b>				<b>MR525825</b>	1	GREEN
0512-1-						

43 -210 REAR DOOR PANEL & GLASS

P N C	MODEL APPLICABLE	B	PART NO.	Q	REMARKS
FROM-UP TO	TYPE DESCRIPTION	P	(REPL P/NO.)	Y	
<b>68120R</b> 0512-1-	GLASS,RR DOOR STATIONARY WINDOW,RH ALL		<b>MR525826</b>	1	GREEN
<b>68143L</b> 0512-1-	WEATHERSTRIP,RR DOOR BELT,INR LH ALL		<b>MR526253</b>	1	
<b>68143R</b> 0512-1-	WEATHERSTRIP,RR DOOR BELT,INR RH ALL		<b>MR526254</b>	1	
<b>68147L</b> 0512-1-	WEATHERSTRIP,RR DOOR STATIONARY WINDOW,LH ALL		<b>MR525833</b>	1	BLACK
<b>68147R</b> 0512-1-	WEATHERSTRIP,RR DOOR STATIONARY WINDOW,RH ALL		<b>MR525834</b>	1	BLACK
<b>68215</b> 0512-1-	DAMPER,RR DOOR ALL		<b>MB019730</b>	2	
<b>68228L</b> 0512-1-	FILM,RR DOOR WATERPROOF,LH ALL		<b>MR512013</b>	1	
<b>68228R</b> 0512-1-	FILM,RR DOOR WATERPROOF,RH ALL		<b>MR512013</b>	1	
<b>68233L</b> 0512-1-0607-2 0607-3-	SASH,RR DOOR WINDOW,CTR LH ALL	N	<b>MR525721</b> <b>5735A239</b>	1	BLACK U06020
<b>68233R</b> 0512-1-0607-2 0607-3-	SASH,RR DOOR WINDOW,CTR RH ALL	N	<b>MR525722</b> <b>5735A240</b>	1	BLACK U06020
<b>68252</b> 0512-1-0804-3 0512-1- 0805-1-	WEATHERSTRIP,RR DOOR OPENING,INR CS6A SNDRDW CS6A SNJERDW CS6A SNDRDW SNDRDW2		<b>MR647405</b> <b>MR632017</b> <b>MR647405</b>	2	BEIGE INT:62F 2 D-GRAY INT:40X,63P 2 BEIGE INT:41Y,42Y
<b>68253L</b> 0512-1-	WEATHERSTRIP,RR DOOR OPENING,OTR LH ALL	Y	<b>MR525835</b> <b>(MR525837)</b>	1	
<b>68253R</b> 0512-1-	WEATHERSTRIP,RR DOOR OPENING,OTR RH ALL	Y	<b>MR525836</b> <b>(MR525838)</b>	1	
<b>68255L</b> 0512-1-	GARNISH,RR DOOR,LH ALL		<b>MR523429</b>	1	BLACK
<b>68255R</b> 0512-1-	GARNISH,RR DOOR,RH ALL		<b>MR523430</b>	1	BLACK
<b>71076L</b> 0512-1-	MOULDING,RR DOOR WINDOW BELT LINE,LH ALL		<b>MR525757</b>	1	BLACK
<b>71076R</b> 0512-1-	MOULDING,RR DOOR WINDOW BELT LINE,RH ALL		<b>MR525758</b>	1	BLACK



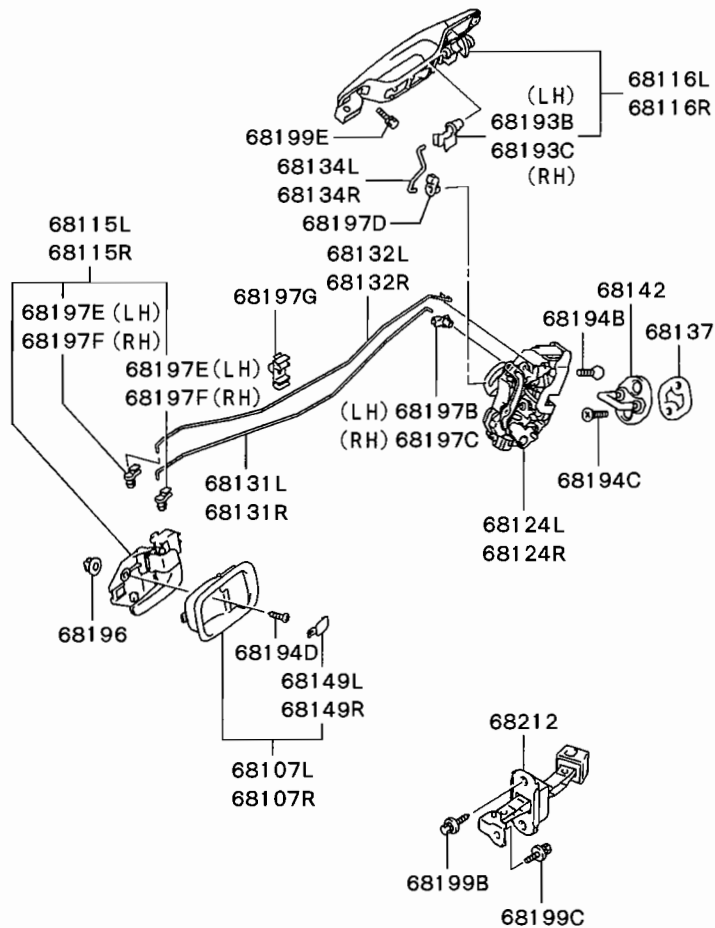
## 43 -230 REAR DOOR WINDOW REGULATOR



D00006

P N C	MODEL APPLICABLE	REPL	PART NO.	Q	REMARKS
FROM-UP TO	TYPE	DESCRIPTION	(REPL. P/NO.)	TY	
<b>68022L</b>	ALL	MOTOR,RR DOOR POWER WINDOW REGULATOR,LH			
0512-1-			<b>MN126737</b>	1	
<b>68022R</b>	ALL	MOTOR,RR DOOR POWER WINDOW REGULATOR,RH			
0512-1-			<b>MN126738</b>	1	
<b>68032L</b>	ALL	REGULATOR,RR DOOR WINDOW,LH			
0512-1-			<b>MR991329</b>	1	
<b>68032R</b>	ALL	REGULATOR,RR DOOR WINDOW,RH			
0512-1-			<b>MR991330</b>	1	
<b>68088C</b>	ALL	SCREW,RR DOOR WINDOW REGULATOR			
0512-1-			<b>MR264577</b>	6	
<b>68092</b>	ALL	CLIP,RR DOOR WINDOW REGULATOR			
0512-1-			<b>MN126160</b>	2	
<b>68093B</b>	ALL	BOLT,RR DOOR WINDOW REGULATOR			
0512-1-0612-3			<b>MS240028</b>	4	WASHER ASSEMBLED,6X12
0701-1-0801-1			<b>MB321590</b>	4	WASHER ASSEMBLED,6X10
			<b>(MU240062)</b>		
0801-2-			<b>MF140202</b>	4	FLANGE,6X10
<b>68093C</b>	ALL	BOLT,RR DOOR WINDOW REGULATOR			
0512-1-0612-3			<b>MB258979</b>	6	WASHER ASSEMBLED,6X8
0701-1-			<b>MB321590</b>	6	WASHER ASSEMBLED,6X10
			<b>(MU240062)</b>		
<b>68093D</b>	ALL	BOLT,RR DOOR WINDOW REGULATOR			
0512-1-0612-3			<b>MB258979</b>	6	WASHER ASSEMBLED,6X8
0701-1-			<b>MB321590</b>	6	WASHER ASSEMBLED,6X10
			<b>(MU240062)</b>		

## 43-240 REAR DOOR LOCKING

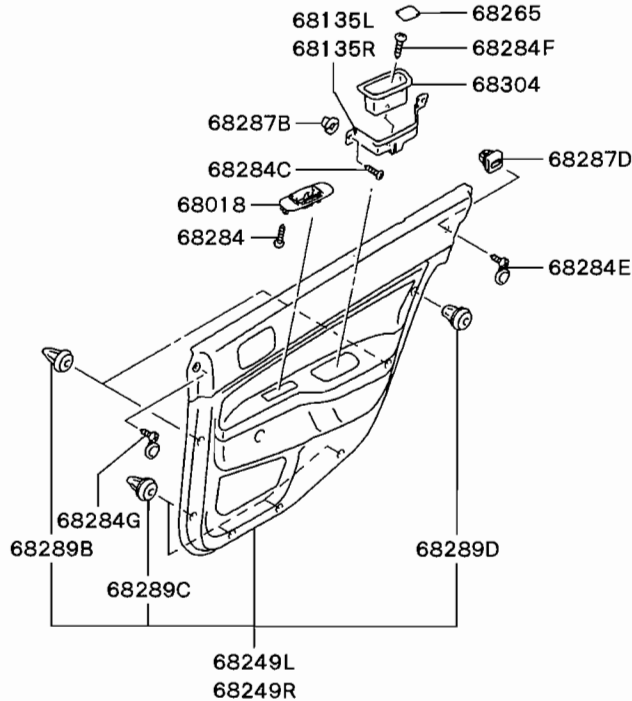


P N C	MODEL APPLICABLE		R E P	PART NO. (REPL. P.I.N.O.)	Q T Y	R E M A R K S
	FROM-UP TO	TYPE				
<b>68107L</b>						
0512-1-0703-2	CS6A	SNJERDW		<b>MR627178</b>	1	D-GRAY INT.63P
0512-1-0804-3	CS6A	SNJERDW		<b>MR620823</b>	1	D-GRAY INT.62F
0703-3-	CS6A	SNJERDW		<b>MR656175</b>	1	BLACK INT.40X.63P
0805-1-	CS6A	SNJERDW SNJERDW2		<b>MR620823</b>	1	D-GRAY INT.41Y.42Y
<b>68107R</b>						
0512-1-0703-2	CS6A	SNJERDW	Y	<b>MR627179</b> <b>(MR656176)</b>	1	D-GRAY INT.63P
0512-1-0804-3	CS6A	SNJERDW		<b>MR620827</b>	1	D-GRAY INT.62F
0703-3-	CS6A	SNJERDW		<b>MR656176</b>	1	BLACK INT.40X.63P
0805-1-	CS6A	SNJERDW SNJERDW2		<b>MR620827</b>	1	D-GRAY INT.41Y.42Y
<b>68115L</b>						
0512-1-0703-2	CS6A	SNJERDW		<b>5716A171HA</b>	1	D-GRAY INT.63P
0512-1-0804-3	CS6A	SNJERDW		<b>5716A169HA</b>	1	CHRPLATING INT.62F CROME PLATING
0703-3-	CS6A	SNJERDW		<b>5716A171XA</b>	1	BLACK INT.40X.63P
0805-1-	CS6A	SNJERDW SNJERDW2		<b>5716A319XA</b>	1	BLACK/CHROME
<b>68115R</b>						
0512-1-0703-2	CS6A	SNJERDW		<b>5716A172HA</b>	1	D-GRAY INT.63P
0512-1-0804-3	CS6A	SNJERDW		<b>5716A170HA</b>	1	CHRPLATING INT.62F CROME PLATING
0703-3-	CS6A	SNJERDW		<b>5716A172XA</b>	1	BLACK INT.40X.63P
0805-1-	CS6A	SNJERDW SNJERDW2		<b>5716A320XA</b>	1	BLACK/CHROME
<b>68116L</b>						
0512-1-0804-3	CS6A	SNJERDW		<b>MR970309</b>	1	CHROME PLATING EXT.200B
0512-1-	CS6A	SNJERDW		<b>MR970269</b>	1	WHITE EXT.200D
0805-1-	CS6A	SNJERDW SNJERDW2		<b>MR970309</b>	1	CHROME PLATING EXT.200B
<b>68116R</b>						
0512-1-0804-3	CS6A	SNJERDW		<b>MR970310</b>	1	CHROME PLATING EXT.200B
0512-1-	CS6A	SNJERDW		<b>MR970288</b>	1	WHITE EXT.200D
0805-1-	CS6A	SNJERDW SNJERDW2		<b>MR970310</b>	1	CHROME PLATING EXT.200B
<b>68124L</b>						
0512-1-	ALL			<b>MN159631</b>	1	
<b>68124R</b>						
0512-1-	ALL			<b>MN159632</b>	1	
<b>68131L</b>						
0512-1-	ALL			<b>MN159625</b>	1	
<b>68131R</b>						
0512-1-	ALL			<b>MN159626</b>	1	
<b>68132L</b>						
0512-1-	ALL			<b>MN159627</b>	1	
<b>68132R</b>						
0512-1-	ALL			<b>MN159628</b>	1	
<b>68134L</b>						
0512-1-	ALL			<b>MN159623</b>	1	

43 -240 REAR DOOR LOCKING

P N C		MODEL APPLICABLE		QTY	REMARKS	P N C		MODEL APPLICABLE		QTY	REMARKS
FROM-UP TO	TYPE	DESCRIPTION	(REPL P/NO.)			FROM-UP TO	TYPE	DESCRIPTION	(REPL P/NO.)		
<b>68134R</b>		ROD,RR DOOR OUTSIDE HANDLE,RH				<b>68199E</b>		BOLT,RR DOOR LOCKING			
0512-1-		ALL	<b>MN159624</b>	1		0512-1-		ALL	<b>MF240022</b>	4	WASHER ASSEMBLED,6X10
<b>68137</b>		SHIM,RR DOOR LATCH STRIKER				<b>68212</b>		CHECK,RR DOOR			
0512-1-		ALL	<b>MB888461</b>	AR	T=1.6	0512-1-0803-3		ALL	<b>MR473583</b>	2	
<b>68142</b>		STRIKER,RR DOOR LATCH				0804-1-		ALL	<b>5702A076</b>	2	
0512-1-		ALL	<b>MN127079</b>	2							
<b>68149L</b>		CAP,RR DOOR INSIDE HANDLE COVER,LH									
0512-1-0703-2	CS6A	SNJERDW	<b>MR573539</b>	1	D-GRAY INT:63P						
0512-1-0804-3	CS6A	SNJERDW	<b>MR573537</b>	1	D-GRAY INT:62F						
0703-3-	CS6A	SNJERDW	<b>MR655775</b>	1	BLACK INT:40X,63P						
0805-1-	CS6A	SNJERDW SNJERDW2	<b>MR573537</b>	1	D-GRAY INT:41Y,42Y						
<b>68149R</b>		CAP,RR DOOR INSIDE HANDLE COVER,RH									
0512-1-0703-2	CS6A	SNJERDW	<b>MR573544</b>	1	D-GRAY INT:63P						
0512-1-0804-3	CS6A	SNJERDW	<b>MR573542</b>	1	D-GRAY INT:62F						
0703-3-	CS6A	SNJERDW	<b>MR655776</b>	1	BLACK INT:40X,63P						
0805-1-	CS6A	SNJERDW SNJERDW2	<b>MR573542</b>	1	D-GRAY INT:41Y,42Y						
<b>68193B</b>		SNAP,RR DOOR LOCKING									
0512-1-		ALL	<b>MU481091</b>	1							
<b>68193C</b>		SNAP,RR DOOR LOCKING									
0512-1-		ALL	<b>MU481090</b>	1	WHITE						
<b>68194B</b>		SCREW,RR DOOR LOCKING									
0512-1-0512-3		ALL	<b>MU200079</b>	6	MACHINE(PLUS),6X18						
0512-1-		ALL	<b>MU000957</b>	6	MACHINE(TORX),6X12						
<b>68194C</b>		SCREW,RR DOOR LOCKING									
0512-1-0512-3		ALL	<b>MU000623</b>	4	MACHINE(PLUS),8X22.5						
0512-1-		ALL	<b>MU000959</b>	4	MACHINE(TORX),8X22.5						
<b>68194D</b>		SCREW,RR DOOR LOCKING									
0512-1-		ALL	<b>MF453020</b>	2	TAPPING,4X20						
<b>68196</b>		GROMMET,RR DOOR LOCKING									
0512-1-		ALL	<b>MU000314</b>	2							
<b>68197B</b>		CLIP,RR DOOR LOCKING									
0512-1-		ALL	<b>MU481194</b>	1	6 GREEN						
<b>68197C</b>		CLIP,RR DOOR LOCKING									
0512-1-		ALL	<b>MU481193</b>	1	6 ORANGE						
<b>68197D</b>		CLIP,RR DOOR LOCKING									
0512-1-		ALL	<b>MN145859</b>	2							
<b>68197E</b>		CLIP,RR DOOR LOCKING									
0512-1-		ALL	<b>MS470433</b>	2	4.2 WHITE						
<b>68197F</b>		CLIP,RR DOOR LOCKING									
0512-1-		ALL	<b>MS470434</b>	2	4.2 BLACK						
<b>68197G</b>		CLIP,RR DOOR LOCKING									
0512-1-		ALL	<b>MU481262</b>	2							
<b>68199B</b>		BOLT,RR DOOR LOCKING									
0512-1-		ALL	<b>MS240041</b>	4	WASHER ASSEMBLED,6X16						
<b>68199C</b>		BOLT,RR DOOR LOCKING									
0512-1-		ALL	<b>MS240593</b>	2	WASHER ASSEMBLED,6X20						

### 43 -260 REAR DOOR TRIM & PULL HANDLE



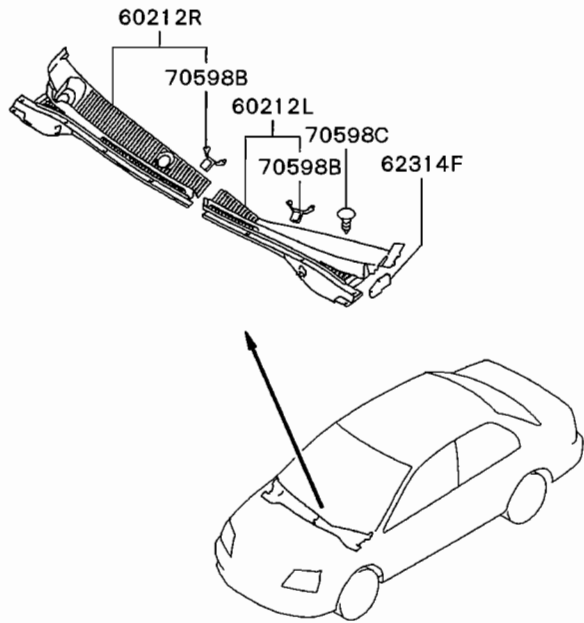
D00006C

P N C	MODEL APPLICABLE		PART NO. (REPL. P/N.O.)	Q Y	RE MARKS
	FROM-UP TO	TYPE			
<b>68018</b>					
0512-1-0804-3	CS6A	SNJERDW	<b>MN124951YA</b>	2	BEIGE INT:62F
0512-1-	CS6A	SNJERDW	<b>MN124951HA</b>	2	D-GRAY INT:40X.63P
0805-1-	CS6A	SNJERDW SNJERDW2	<b>MN124951YA</b>	2	BEIGE INT:41Y.42Y
<b>68135L</b>					
0512-1-			<b>MR417135</b>	1	
<b>68135R</b>					
0512-1-			<b>MR417136</b>	1	
<b>68249L</b>					
0512-1-0804-3	CS6A	SNJERDW	<b>MR630459</b>	1	D-GRAY/BLACK INT:63P
0512-1-0804-3	CS6A	SNJERDW	<b>MR647742</b>	1	BEIGE INT:62F
0805-1-	CS6A	SNJERDW	<b>MR647689</b>	1	D-GRAY INT:40X
0805-1-	CS6A	SNJERDW SNJERDW2	<b>MR647742</b>	1	BEIGE INT:41Y.42Y
<b>68249R</b>					
0512-1-0804-3	CS6A	SNJERDW	<b>MR630461</b>	1	D-GRAY/BLACK INT:63P
0512-1-0804-3	CS6A	SNJERDW	<b>MR647744</b>	1	BEIGE INT:62F
0805-1-	CS6A	SNJERDW	<b>MR647690</b>	1	D-GRAY INT:40X
0805-1-	CS6A	SNJERDW SNJERDW2	<b>MR647744</b>	1	BEIGE INT:41Y.42Y
<b>68265</b>					
0512-1-0804-3	CS6A	SNJERDW	<b>MR647348</b>	2	BEIGE INT:62F
0512-1-	CS6A	SNJERDW	<b>MR794191</b>	2	D-GRAY INT:40X.63P
0805-1-	CS6A	SNJERDW SNJERDW2	<b>MR647348</b>	2	BEIGE INT:41Y.42Y
<b>68284</b>					
0512-1-			<b>MF453016</b>	4	TAPPING,4X10
<b>68284C</b>					
0512-1-			<b>MF453046</b>	4	TAPPING,6X14
<b>68284E</b>					
0512-1-			<b>MR602020</b>	2	D-GRAY INT:40X.41Y.42Y. 62F.63P W/CA P
<b>68284F</b>					
0512-1-0601-3			<b>MF453273</b>	2	TAPPING,5X16
0602-1-			<b>MF453093</b>	2	TAPPING,BLACK,5X16
<b>68284G</b>					
0512-1-			<b>MR572768</b>	2	D-GRAY INT:40X.41Y.42Y. 62F.63P
<b>68287B</b>					
0512-1-			<b>MS480003</b>	4	6
<b>68287D</b>					
0512-1-			<b>MR444250</b>	2	
<b>68289B</b>					
0512-1-			<b>MU481245</b>	4	NATURAL,18X13.2 W/O PACKING
<b>68289C</b>					
0512-1-0709-3			<b>MU488002</b>	8	W/PACKING
0710-1-			<b>MU481245</b>	8	NATURAL,18X13.2 W/O PACKING

### 43 -260 REAR DOOR TRIM & PULL HANDLE

P N C	MODEL APPLICABLE		DATE	PART NO. (REPL P/NO.)	Q T Y	RE M A R K S
FROM/UP TO	TYPE	DESCRIPTION				
<b>68289D</b>		CLIP,RR DOOR TRIM				
0512-1-		ALL		<b>MU000609</b>	2	SHORT TYPE
<b>68304</b>		BOX,RR DOOR TRIM				
0512-1-0804-3	CS6A	SNDERDW		<b>MR647347</b>	2	BEIGE INT.82F
0512-1-	CS6A	SNJERDW		<b>MR627149</b>	2	D-GRAY INT.40X.63P
0805-1-	CS6A	SNDERDW SNDERDW2		<b>MR647347</b>	2	BEIGE INT.41Y.42Y

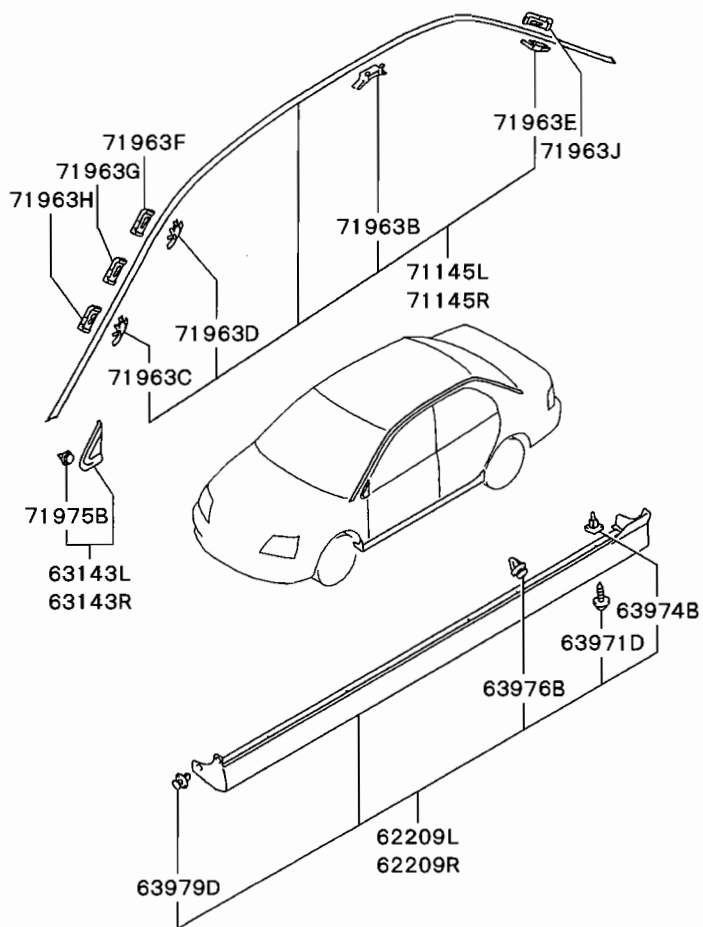
# 51 -010 FRONT GARNISH & MOULDING



D00004A

P N C	MODEL APPLICABLE		B P	PART NO. (REPL. P.N.O.)	Q Y	REMARKS
	FROM-UP TO	TYPE				
<b>60212L</b> 0512-1-						
				<b>MB893066</b>	1	
<b>60212R</b> 0512-1-						
				<b>MB893069</b>	1	
<b>62314F</b> 0512-1-						
				<b>MR574170</b>	2	
<b>70598B</b> 0512-1-						
				<b>MR533923</b>	8	
<b>70598C</b> 0512-1-						
				<b>MR777365</b>	4	BLACK

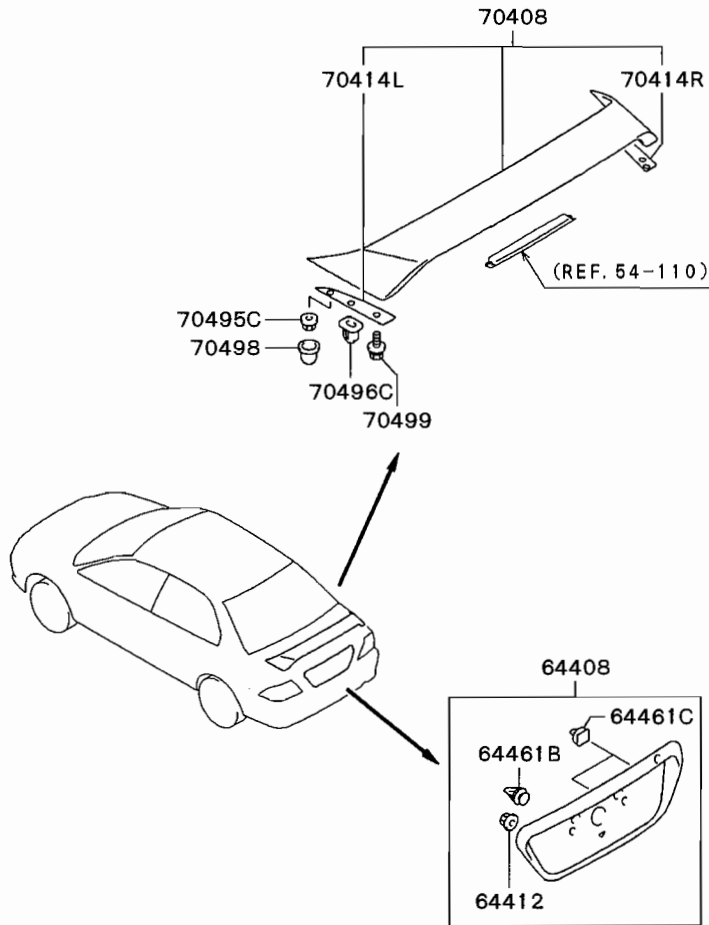
## 51 -030 SIDE GARNISH & MOULDING



D00038A

P N C	MODEL APPLICABLE		P	PART NO. (REPL P/NO.)	Q	REMARKS
	FROM-UP TO	TYPE				
<b>62209L</b>	0512-1-0804-3	CS6A	SNJERDW	<b>MN161015WA</b>	1	WHITE EXT-200D
0805-1-		CS6A	ALL	<b>MN161015WC</b>	1	WHITE EXT-200B,200D
<b>62209R</b>	0512-1-0804-3	CS6A	SNJERDW	<b>MN161016WA</b>	1	WHITE EXT-200D
0805-1-		CS6A	ALL	<b>MN161016WC</b>	1	WHITE EXT-200B,200D
<b>63143L</b>	0512-1-		GARNISH,FR PILLAR,LH	<b>MR462051</b>	1	BLACK
<b>63143R</b>	0512-1-		GARNISH,FR PILLAR,RH	<b>MR462052</b>	1	BLACK
<b>63971D</b>	0512-1-		SCREW,SIDE AIR DAM	<b>MS450154</b>	10	TAPPING,4X16
<b>63974B</b>	0512-1-0804-3	CS6A	SNJERDW	<b>MR280579</b>	10	10 NATURAL
0805-1-		CS6A	ALL	<b>MR280579</b>	10	10 NATURAL
<b>63976B</b>	0512-1-0804-3	CS6A	SNJERDW	<b>MR432939</b>	18	BLACK,8.2X12.5
0805-1-		CS6A	ALL	<b>MR432939</b>	18	BLACK,8.2X12.5
<b>63979D</b>	0512-1-0804-3	CS6A	SNJERDW	<b>MU488006</b>	8	BLACK,8
0805-1-		CS6A	ALL	<b>MU488006</b>	8	BLACK,8
<b>71145L</b>	0512-1-		MOULDING,DRIP,LH	<b>MR520287</b>	1	BLACK MATERIAL
<b>71145R</b>	0512-1-		MOULDING,DRIP,RH	<b>MR520288</b>	1	BLACK MATERIAL
<b>71963B</b>	0512-1-		CLIP,DRIP MOULDING	<b>7403A020</b>	16	
<b>71963C</b>	0512-1-		CLIP,DRIP MOULDING	<b>MR520849</b>	4	YELLOW
<b>71963D</b>	0512-1-		CLIP,DRIP MOULDING	<b>MR520850</b>	2	BLUE
<b>71963E</b>	0512-1-		CLIP,DRIP MOULDING	<b>MR520851</b>	6	NATURAL
<b>71963F</b>	0512-1-		CLIP,DRIP MOULDING	<b>MU000219</b>	2	GRAY
<b>71963G</b>	0512-1-		CLIP,DRIP MOULDING	<b>MU000217</b>	2	PURPLE
<b>71963H</b>	0512-1-		CLIP,DRIP MOULDING	<b>MU000218</b>	4	ORANGE
<b>71963J</b>	0512-1-		CLIP,DRIP MOULDING	<b>MU000219</b>	6	GRAY
<b>71975B</b>	0512-1-		CLIP,SIDE MOULDING	<b>MB696120</b>	6	8,9X9

# 51 -050 REAR GARNISH & MOULDING

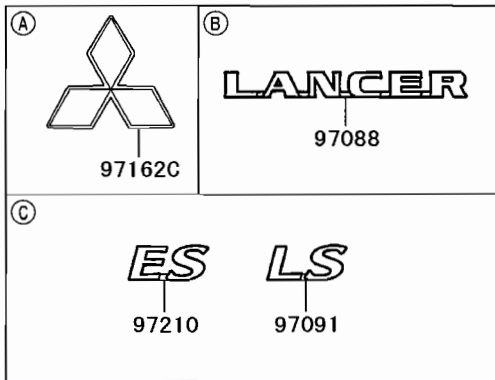
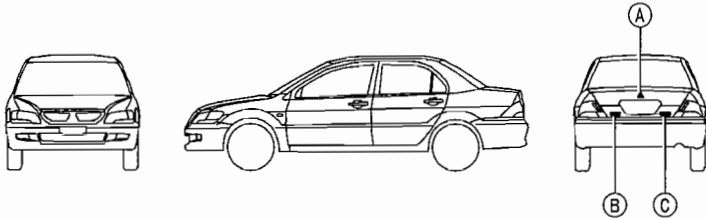


D00034B

P N C	MODEL APPLICABLE		R E P	PART NO. (REPL. P/NO.)	Q T Y	R E M A R K S
	FROM/UP TO	TYPE				
<b>64408</b>						
0512-1-0804-3	CS6A	ALL		<b>MN161236WA</b>	1	WHITE EXT.200B,200D
0805-1-	CS6A	ALL		<b>MN161236WC</b>	1	WHITE EXT.200B,200D
<b>64412</b>						
0512-1-0610-3	ALL			<b>MS440502</b>	2	WASHER ASSEMBLED.6 WASHER(14)
0611-1-	ALL			<b>MS440522</b>	2	WASHER ASSEMBLED.6 WASHER(18)
<b>64461B</b>						
0512-1-	ALL			<b>MR322000</b>	4	NATURAL.8.2X13 W/PACKING
<b>64461C</b>						
0512-1-	ALL			<b>MR533775</b>	4	8.2X12.5
<b>70408</b>						
0512-1-0804-3	CS6A	SNJERDW		<b>MN126478WA</b>	1	WHITE EXT.200D
0805-1-	CS6A	SNJERDW		<b>MN126478WC</b>	1	WHITE EXT.200D
<b>70414L</b>						
0512-1-	CS6A	SNJERDW		<b>MN175793</b>	1	
<b>70414R</b>						
0512-1-	CS6A	SNJERDW		<b>MN175794</b>	1	
<b>70495C</b>						
0512-1-	ALL			<b>MS440502</b>	2	WASHER ASSEMBLED.6 WASHER(14)
<b>70496C</b>						
0512-1-	CS6A	SNJERDW		<b>MB645307</b>	2	BLACK
<b>70498</b>						
0512-1-0710-3	CS6A	SNJERDW		<b>MB646885</b>	2	BLACK
<b>70499</b>						
0512-1-	ALL			<b>MS240028</b>	2	WASHER ASSEMBLED.6X12



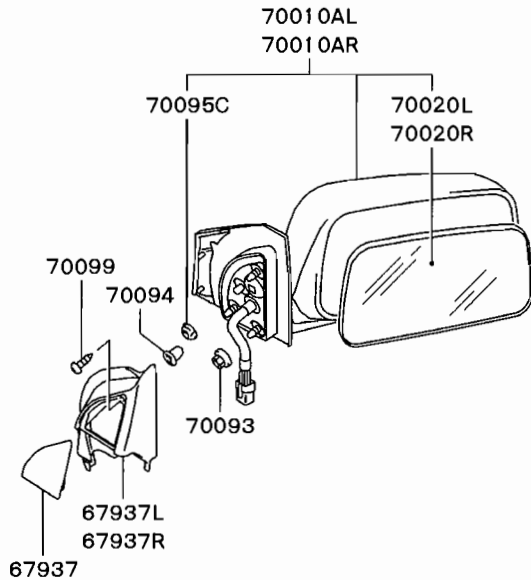
51 -110 ORNAMENT, MARK & EMBLEM



D00113

P N C	MODEL APPLICABLE		PART NO. (REPL PINO.)	Q Y	RE MARKS
	FROM/UP TO	TYPE			
<b>97088</b>					
0512-1-			<b>MN154914</b>	1	CHROME
<b>97091</b>					
0512-1-			<b>MR957918</b>	1	CHROME
<b>97162C</b>					
0512-1-			<b>MN126477</b>	1	CHROME,DIAX3
<b>97210</b>					
0512-1-0804-3			<b>MR957917</b>	1	CHROME
0805-1-			<b>MR957917</b>	1	CHROME

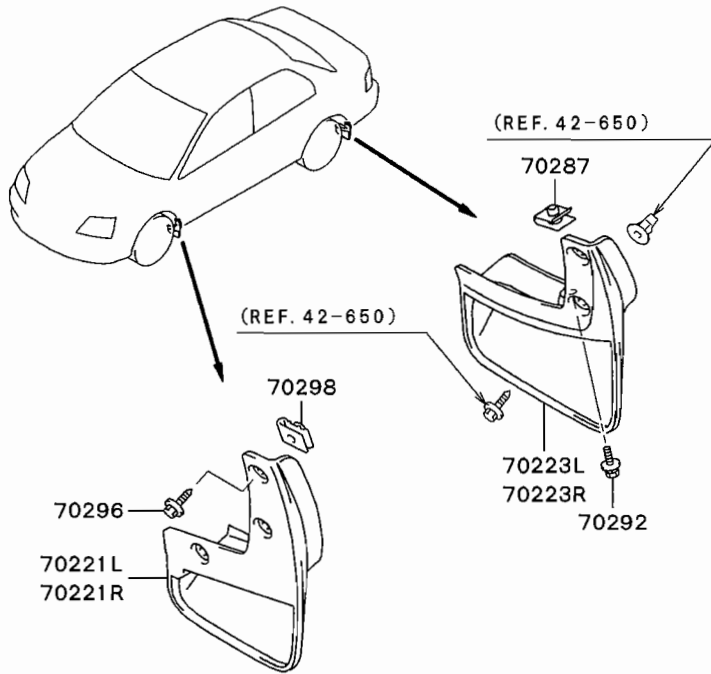
# 51 -210 OUTSIDE REAR VIEW MIRROR



D00007B

P N C	MODEL APPLICABLE		R E P	PART NO. (REPL P/NO.)	Q T Y	R E M A R K S
	FROM-UP TO	TYPE				
<b>67937</b>						
0512-1-				<b>MR441633</b>	1	LH
0512-1-				<b>MR441634</b>	1	RH
<b>67937L</b>						
0512-1-				<b>MR441631</b>	1	BLACK
<b>67937R</b>						
0512-1-				<b>MR441632</b>	1	BLACK
<b>70010AL</b>						
0512-1-0804-3				<b>MN126387WA</b>	1	WHITE,E/CONT EXT:200B,200D
0805-1-				<b>MN126387WB</b>	1	WHITE,E/CONT EXT:200B,200D
<b>70010AR</b>						
0512-1-				<b>7632A248WA</b>	1	WHITE
<b>70020L</b>						
0512-1-				<b>MR970817</b>	1	CONVEX,W/CAUTION(ENGLISH)
<b>70020R</b>						
0512-1-				<b>MR574588</b>	1	CONVEX,W/CAUTION(ENGLISH)
<b>70093</b>						
0512-1-				<b>MS440502</b>	6	WASHER ASSEMBLED,6 WASHER(14)
<b>70094</b>						
0512-1-				<b>MU480032</b>	2	5
<b>70095C</b>						
0512-1-				<b>MR959913</b>	2	NATURAL
<b>70099</b>						
0512-1-				<b>MF453033</b>	2	TAPPING,5X16

# 51 -310 MUD GUARD,SHIELD & STONE GUARD



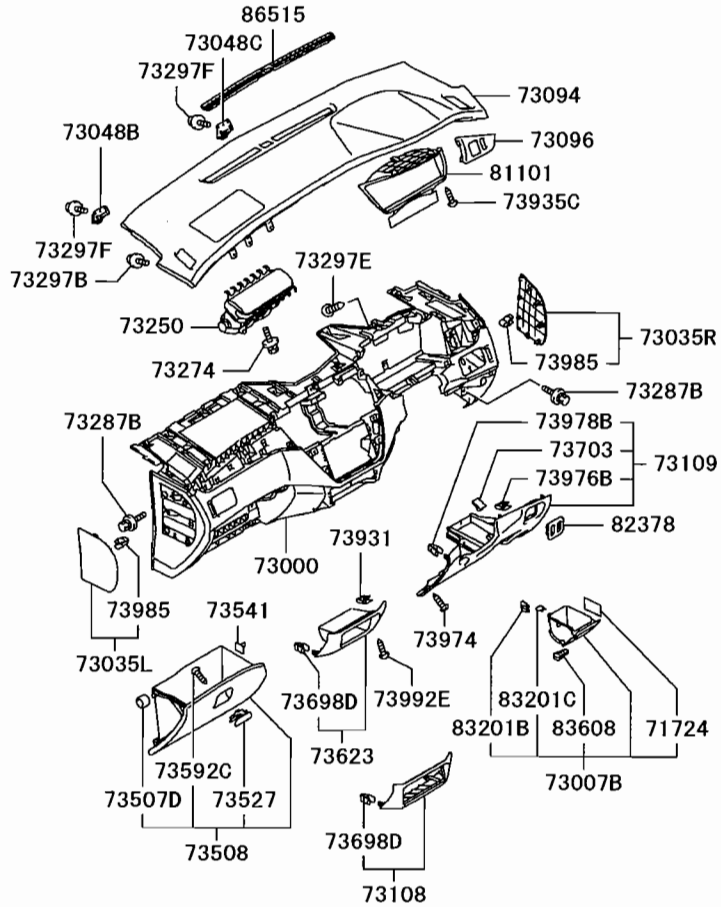
D00066A

P N C	MODEL APPLICABLE		PART NO. (REPL. P/NO.)	Q Y	RE MARKS
	FROM-UP TO	TYPE			
<b>70221L</b>					
0512-1-0804-3	CS6A	SNDERDW	<b>MR533433</b>	1	
<b>70221R</b>					
0512-1-0804-3	CS6A	SNDERDW	<b>MR533434</b>	1	
<b>70223L</b>					
0512-1-0804-3	CS6A	SNDERDW	<b>MN126479</b>	1	BLACK
<b>70223R</b>					
0512-1-0804-3	CS6A	SNDERDW	<b>MN126480</b>	1	BLACK
<b>70287</b>					
0512-1-0804-3		ALL	<b>MU440009</b>	2	SPRING.6
<b>70292</b>					
0512-1-0804-3		ALL	<b>MF244226</b>	2	WASHER ASSEMBLED.6X20
<b>70296</b>					
0512-1-0804-3		ALL	<b>MS452348</b>	6	WASHER ASSEMBLED.6X20
<b>70298</b>					
0512-1-0804-3	CS6A	SNDERDW	<b>MB481588</b>	6	6

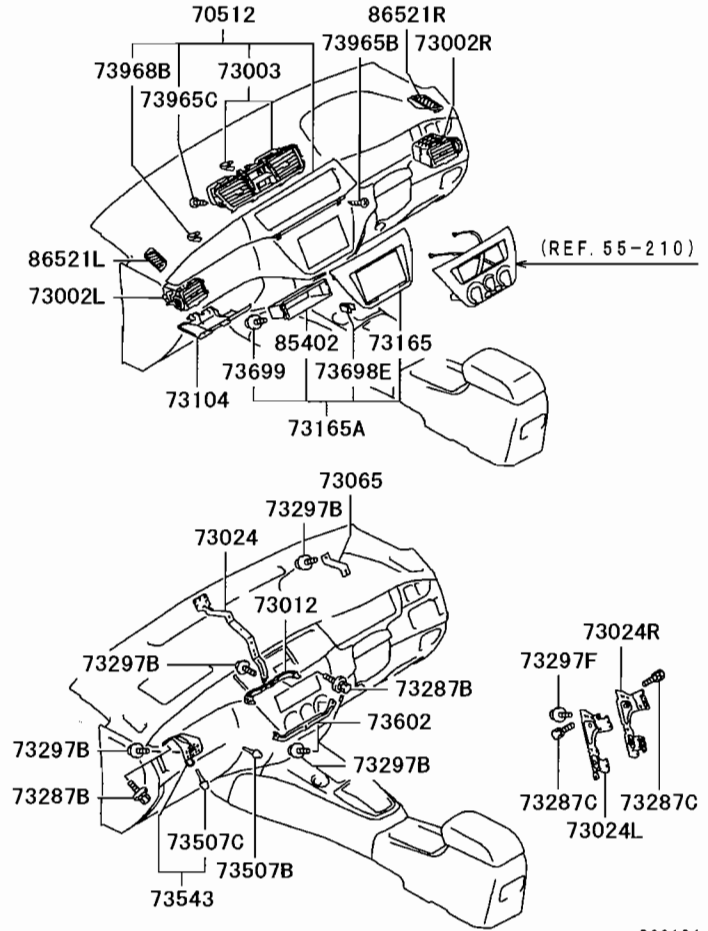
# 52 -010 I/PANEL & RELATED PARTS

CS6A:I/PANEL PAD,GLOVEBOX,ETC.

CS6A:AIR OUTLET,BRACKET,ETC.



D00183



D00184

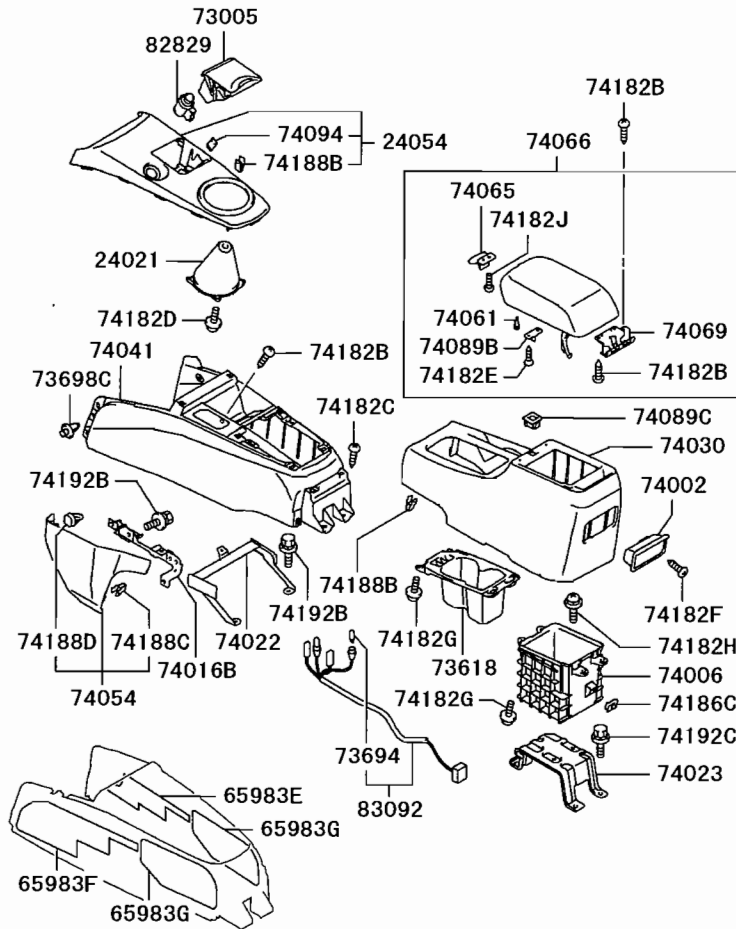
## 52 -010 I/PANEL &amp; RELATED PARTS

P N C		MODEL APPLICABLE		QTY	REMARKS	P N C		MODEL APPLICABLE		QTY	REMARKS
FROM-UP TO	TYPE	DESCRIPTION	PART NO. (REPL P/NO.)			FROM-UP TO	TYPE	DESCRIPTION	PART NO. (REPL P/NO.)		
<b>70512</b>		PANEL,INSTRUMENT PANEL AIR OUTLET				<b>73094</b>		PAD,INSTRUMENT PANEL			
0512-1-0804-3	CS6A	SNJERDW	MR647124	1	BROWN INT:62F	0512-1-0804-3	CS6A	SNJERDW	MR590211	1	D-GRAY INT:62F
0512-1-	CS6A	SNJERDW	MR647122	1	BLACK INT:40X,63P	0512-1-	CS6A	SNJERDW	MR590213	1	D-GRAY INT:40X,63P
0805-1-	CS6A	SNJERDW SNJERDW2	MR647124	1	BROWN INT:41Y,42Y	0805-1-	CS6A	SNJERDW SNJERDW2	MR590211	1	D-GRAY INT:41Y,42Y
<b>71724</b>		LABEL,FUSE				<b>73096</b>		PANEL,INSTRUMENT CONTROL			
0512-1-	ALL		MR588018	1		0512-1-0804-3	CS6A	SNJERDW	MR647128	1	BLACK INT:63P
<b>73000</b>		PANEL,INSTRUMENT				0512-1-0804-3	CS6A	SNJERDW	MR647130	1	BROWN INT:62F
0512-1-0804-3	CS6A	SNJERDW	MR647144	1	BEIGE INT:62F	0805-1-	CS6A	SNJERDW	MR647131	1	BLACK INT:40X
0512-1-	CS6A	SNJERDW	MR590217	1	D-GRAY INT:40X,63P	0805-1-	CS6A	SNJERDW SNJERDW2	MR647130	1	BROWN INT:41Y,42Y
0805-1-	CS6A	SNJERDW SNJERDW2	MR647144	1	BEIGE INT:41Y,42Y						
<b>73002L</b>		AIR OUTLET,INSTRUMENT PANEL SIDE,LH				<b>73104</b>		TRIM,INSTRUMENT PANEL			
0512-1-0804-3	CS6A	SNJERDW	MR647125	1	BEIGE INT:62F	0512-1-	ALL		MR550058	1	
0512-1-	CS6A	SNJERDW	MR626754	1	D-GRAY INT:40X,63P	<b>73108</b>		PANEL,INSTRUMENT,LWR CTR			
0805-1-	CS6A	SNJERDW SNJERDW2	MR647125	1	BEIGE INT:41Y,42Y	0805-1-	CS6A	SNJERDW	MR626799	1	D-GRAY INT:40X
<b>73002R</b>		AIR OUTLET,INSTRUMENT PANEL SIDE,RH				0805-1-	CS6A	SNJERDW2	MR647202	1	BEIGE INT:42Y
0512-1-0804-3	CS6A	SNJERDW	MR647126	1	BEIGE INT:62F	<b>73109</b>		PANEL,INSTRUMENT,LWR			
0512-1-	CS6A	SNJERDW	MR626755	1	D-GRAY INT:40X,63P	0512-1-0804-3	CS6A	SNJERDW	MR647160	1	BEIGE INT:62F
0805-1-	CS6A	SNJERDW SNJERDW2	MR647126	1	BEIGE INT:41Y,42Y	0512-1-	CS6A	SNJERDW	MR626778	1	D-GRAY INT:40X,63P
<b>73003</b>		AIR OUTLET,INSTRUMENT PANEL,CTR				0805-1-	CS6A	SNJERDW SNJERDW2	MR647160	1	BEIGE INT:41Y,42Y
0512-1-	ALL		MR512558	1		<b>73165</b>		PANEL,INSTRUMENT,CTR			
<b>73007B</b>		BOX,INSTRUMENT PANEL PARCEL				0805-1-	CS6A	SNJERDW2 SNJERDW	8002A353HA	1	D-GRAY INT:40X,42Y
0512-1-0804-3	CS6A	SNJERDW	MR647159	1	BEIGE INT:62F	<b>73165A</b>		PANEL ASSY,INSTRUMENT,CTR			
0512-1-	CS6A	SNJERDW	MR975089	1	D-GRAY INT:40X,63P	0805-1-	CS6A	SNJERDW2 SNJERDW	8002A272HA	1	D-GRAY INT:40X,42Y
0805-1-	CS6A	SNJERDW SNJERDW2	MR647159	1	BEIGE INT:41Y,42Y	<b>73250</b>		MODULE,PASSENGER AIR BAG			
<b>73012</b>		BRACKET,INSTRUMENT PANEL BACKBONE				0512-1-	ALL		MN185262	1	PYRO TYPE
0512-1-	ALL		MR512588	2		<b>73274</b>		BOLT,AIR BAG EQUIP			
<b>73024</b>		BRACKET,INSTRUMENT PANEL				0512-1-	ALL		MS240141	2	WASHER ASSEMBLED,6X16 COLORED
0512-1-	ALL		MR512587	1		<b>73287B</b>		BOLT,INSTRUMENT PANEL			
<b>73024L</b>		BRACKET,INSTRUMENT PANEL,LH				0512-1-	ALL		MS240141	14	WASHER ASSEMBLED,6X16 COLORED
0512-1-	ALL		MR550047	1		<b>73287C</b>		BOLT,INSTRUMENT PANEL			
<b>73024R</b>		BRACKET,INSTRUMENT PANEL,RH				0512-1-	ALL		MF240023	5	WASHER ASSEMBLED,6X12
0512-1-	ALL		MR550048	1		<b>73297B</b>		SCREW,INSTRUMENT PANEL			
<b>73035L</b>		COVER,INSTRUMENT PANEL SIDE,LH				0512-1-	ALL		MB409437	8	TAPPING,5X12
0512-1-0804-3	CS6A	SNJERDW	MR647111	1	BEIGE INT:62F	<b>73297E</b>		SCREW,INSTRUMENT PANEL			
0512-1-	CS6A	SNJERDW	MR626744	1	D-GRAY INT:40X,63P	0512-1-	ALL		MF453033	1	TAPPING,5X16
0805-1-	CS6A	SNJERDW SNJERDW2	MR647111	1	BEIGE INT:41Y,42Y	<b>73297F</b>		SCREW,INSTRUMENT PANEL			
<b>73035R</b>		COVER,INSTRUMENT PANEL SIDE,RH				0512-1-	ALL		MB409438	35	TAPPING,5X16
0512-1-0804-3	CS6A	SNJERDW	MR647112	1	BEIGE INT:62F	<b>73507B</b>		CUSHION,GLOVEBOX			
0512-1-	CS6A	SNJERDW	MR626745	1	D-GRAY INT:40X,63P	0512-1-	ALL		MR147231	2	
0805-1-	CS6A	SNJERDW SNJERDW2	MR647112	1	BEIGE INT:41Y,42Y	<b>73507C</b>		CUSHION,GLOVEBOX			
<b>73048B</b>		BRACKET,INSTRUMENT PANEL SIDE,UPR				0512-1-0709-3	ALL		MB562195	1	
0512-1-	ALL		MR512554	4		0710-1-	ALL		MR147231	1	
<b>73048C</b>		BRACKET,INSTRUMENT PANEL SIDE,UPR				<b>73507D</b>		CUSHION,GLOVEBOX			
0512-1-	ALL		MR532891	1		0512-1-	ALL		MR402762	2	
<b>73065</b>		BRACKET,INSTRUMENT PANEL DRIVER SIDE,UPR									
0512-1-	ALL		MR512583	1							

52-010 I/PANEL & RELATED PARTS

P N C		MODEL APPLICABLE		UNIT	PART NO. (REPL P/NO.)	Q ↓	REMARKS	P N C		MODEL APPLICABLE		UNIT	PART NO. (REPL P/NO.)	Q ↓	REMARKS
FROM-UP TO	TYPE	DESCRIPTION	DESCRIPTION					FROM-UP TO	TYPE	DESCRIPTION					
<b>73508</b>		GLOVEBOX						<b>73992E</b>		SCREW,INSTRUMENT PANEL TRIM PLATE					
0512-1-0804-3	CS6A	SNDERDW			<b>MR647102</b>	1	BEIGE INT.:62F	0512-1-	ALL			<b>MF453093</b>	2	TAPPING,BLACK,5X16	
0512-1-	CS6A	SNJERDW			<b>MR626741</b>	1	D-GRAY INT.:40X,63P	<b>81101</b>	BEZEL,COMBINATION METER						
0805-1-	CS6A	SNDERDW SNDERDW2			<b>MR647102</b>	1	BEIGE INT.:41Y,42Y	0512-1-	ALL			<b>MR506451</b>	1		
<b>73527</b>		LOCK,GLOVEBOX						<b>82378</b>	PANEL,INSTRUMENT PANEL SWITCH						
0512-1-0804-3	CS6A	SNDERDW			<b>MR647161</b>	1	BEIGE INT.:62F	0512-1-0804-3	CS6A SNDERDW			<b>MR647777</b>	1	BEIGE INT.:62F	
0512-1-	CS6A	SNJERDW			<b>MR626780</b>	1	D-GRAY INT.:40X,63P	0512-1-	CS6A SNJERDW			<b>MR402645</b>	1	D-GRAY INT.:40X,63P	
0805-1-	CS6A	SNDERDW SNDERDW2			<b>MR647161</b>	1	BEIGE INT.:41Y,42Y	0805-1-	CS6A SNDERDW SNDERDW2			<b>MR647777</b>	1	BEIGE INT.:41Y,42Y	
<b>73541</b>		STOPPER,GLOVEBOX						<b>83201B</b>	FUSE,INSTRUMENT PANEL WIRING						
0512-1-	ALL				<b>MB326033</b>	1		0512-1-	ALL			<b>MS810878</b>	1	BLADE(MINI) TYPE,YELLOW. 20A	
<b>73543</b>		STRIKER,GLOVEBOX						<b>83201C</b>	FUSE,INSTRUMENT PANEL WIRING						
0512-1-	ALL				<b>MR512586</b>	1		0512-1-	ALL			<b>MS810969</b>	1	BLADE TYPE,GREEN,30A	
<b>73592C</b>		SCREW,GLOVEBOX						<b>83608</b>	PULLER,FUSE						
0512-1-	ALL				<b>MS452405</b>	2	(5X12)	0512-1-	ALL			<b>MR172647</b>	1		
<b>73602</b>		BRACKET,INSTRUMENT PANEL CONSOLE						<b>85402</b>	BOX,STEREO ACCESSORY						
0512-1-0702-3	ALL				<b>MR532892</b>	1		0805-1-	CS6A SNDERDW2 SNJERDW			<b>8701A094</b>	1		
<b>73623</b>		PANEL,INSTRUMENT PANEL CONSOLE						<b>86515</b>	GARNISH,DEFROSTER						
0512-1-0804-3	CS6A	SNJERDW			<b>MR626784</b>	1	D-GRAY INT.:63P	0512-1-0804-3	CS6A SNDERDW			<b>MR620497</b>	1	D-GRAY INT.:62F	
0512-1-	CS6A	SNDERDW			<b>MR647180</b>	1	BEIGE INT.:41Y,62F	0512-1-	CS6A SNJERDW			<b>MR626743</b>	1	D-GRAY INT.:40X,63P	
<b>73698D</b>		CLIP,INSTRUMENT PANEL CONSOLE						0805-1-	CS6A SNDERDW SNDERDW2			<b>MR620497</b>	1	D-GRAY INT.:41Y,42Y	
0512-1-	ALL				<b>MR402859</b>	2		<b>86521L</b>	GRILLE,SIDE DEFROSTER,LH						
<b>73698E</b>		CLIP,INSTRUMENT PANEL CONSOLE						0512-1-0804-3	CS6A SNDERDW			<b>MR620522</b>	1	D-GRAY INT.:62F	
0805-1-	CS6A	SNDERDW2 SNJERDW			<b>MR975812</b>	6	YELLOW	0512-1-	CS6A SNJERDW			<b>MR626756</b>	1	D-GRAY INT.:40X,63P	
<b>73699</b>		SCREW,INSTRUMENT PANEL CONSOLE						0805-1-	CS6A SNDERDW SNDERDW2			<b>MR620522</b>	1	D-GRAY INT.:41Y,42Y	
0805-1-	ALL				<b>MB409435</b>	2	TAPPING,4X10	<b>86521R</b>	GRILLE,SIDE DEFROSTER,RH						
<b>73703</b>		SPRING,PARCEL BOX						0512-1-0804-3	CS6A SNDERDW			<b>MR620524</b>	1	D-GRAY INT.:62F	
0512-1-	ALL				<b>MR975303</b>	2		0805-1-	CS6A SNJERDW			<b>MR626757</b>	1	D-GRAY INT.:40X,63P	
<b>73931</b>		NUT,INSTRUMENT PANEL PAD						0512-1-	CS6A SNJERDW			<b>MR620524</b>	1	D-GRAY INT.:41Y,42Y	
0512-1-	ALL				<b>MB135995</b>	10	SPRING,5	0805-1-	CS6A SNDERDW SNDERDW2						
<b>73935C</b>		SCREW,METER BEZEL													
0512-1-	ALL				<b>MF453093</b>	2	TAPPING,BLACK,5X16								
<b>73965B</b>		SCREW,INSTRUMENT PANEL AIR OUTLET													
0512-1-	ALL				<b>MF453033</b>	2	TAPPING,5X16								
<b>73965C</b>		SCREW,INSTRUMENT PANEL AIR OUTLET													
0512-1-	ALL				<b>MB409435</b>	9	TAPPING,4X10								
<b>73968B</b>		CLIP,INSTRUMENT PANEL AIR OUTLET													
0512-1-	ALL				<b>MR402859</b>	10									
<b>73974</b>		SCREW,INSTRUMENT PANEL UNDER TRIM													
0512-1-	ALL				<b>MF453394</b>	2	TAPPING,5X20								
<b>73976B</b>		NUT,INSTRUMENT PANEL UNDER TRIM													
0512-1-	ALL				<b>MB135995</b>	2	SPRING,5								
<b>73978B</b>		CLIP,INSTRUMENT PANEL UNDER TRIM													
0512-1-	ALL				<b>MR402859</b>	3									
<b>73985</b>		CLIP,INSTRUMENT PANEL SIDE TRIM													
0512-1-	ALL				<b>MR402859</b>	6									

52 -080 CONSOLE



D00149

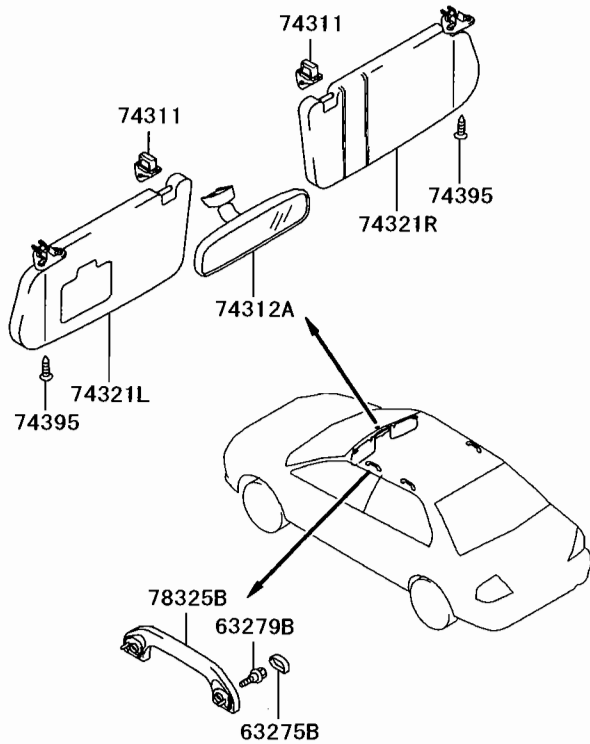
P N C	MODEL APPLICABLE		B P	PART NO. (REPL P/NO.)	Q Y	REMARKS
	FROM-UP TO	TYPE				
<b>24021</b>						<b>COVER,GEARSHIFT LEVER</b>
0512-1-0804-3	CS6A	SNJERDW		<b>MR647776</b>	1	1 BEIGE INT:62F
0512-1-	CS6A	SNJERDW		<b>MR559187</b>	1	1 BLACK INT:40X,63P
0805-1-	CS6A	SNJERDW SNJERDW2		<b>MR647776</b>	1	1 BEIGE INT:41Y,42Y
<b>24054</b>						<b>PANEL,GEARSHIFT LEVER</b>
0512-1-0804-3	CS6A	SNJERDW		<b>MR647767</b>	1	1 M-SILVER INT:62F MT
0512-1-	CS6A	SNJERDW		<b>MR647657</b>	1	1 D-GRAY INT:40X,63P MT
0805-1-	CS6A	SNJERDW SNJERDW2		<b>MR647767</b>	1	1 M-SILVER INT:41Y,42Y MT
<b>65983E</b>						<b>PAD,FLOOR</b>
0512-1-	ALL			<b>MN124263</b>	1	
<b>65983F</b>						<b>PAD,FLOOR</b>
0512-1-	ALL			<b>MN124264</b>	1	1 LH
<b>65983G</b>						<b>PAD,FLOOR</b>
0512-1-	ALL			<b>MN124265</b>	1	1 LH
0512-1-	ALL			<b>MN162738</b>	1	1 RH
<b>73005</b>						<b>ASHTRAY,INSTRUMENT PANEL</b>
0512-1-0804-3	CS6A	SNJERDW		<b>MR647762</b>	1	1 M-SILVER INT:62F
0512-1-	CS6A	SNJERDW		<b>MR646881</b>	1	1 D-GRAY INT:40X,63P
0805-1-	CS6A	SNJERDW SNJERDW2		<b>MR647762</b>	1	1 M-SILVER INT:41Y,42Y
<b>73618</b>						<b>HOLDER,INSTRUMENT PANEL CONSOLE CUP</b>
0512-1-0804-3	CS6A	SNJERDW		<b>MR647143</b>	1	1 BEIGE INT:62F
0512-1-	CS6A	SNJERDW		<b>MR626765</b>	1	1 D-GRAY INT:40X,63P
0805-1-	CS6A	SNJERDW SNJERDW2		<b>MR647143</b>	1	1 BEIGE INT:41Y,42Y
<b>73694</b>						<b>BULB,INSTRUMENT PANEL CONSOLE</b>
0512-1-0702-3	CS6A	ALL		<b>MB918617</b>	1	1 14V-1.4W W/BLUE CAP
0512-1-0702-3	CS6A	ALL		<b>MS820083</b>	1	1 14V-1.4W
0703-1-	CS6A	ALL		<b>MS820083</b>	2	2 14V-1.4W
<b>73698C</b>						<b>CLIP,INSTRUMENT PANEL CONSOLE</b>
0512-1-0804-3	CS6A	SNJERDW		<b>MR975477YE</b>	2	2 BEIGE INT:62F
0512-1-	CS6A	SNJERDW		<b>MR975477HC</b>	2	2 D-GRAY INT:40X,63P
0805-1-	CS6A	SNJERDW SNJERDW2		<b>MR975477YE</b>	2	2 BEIGE INT:41Y,42Y
<b>74002</b>						<b>ASHTRAY,FLOOR CONSOLE</b>
0512-1-0804-3	CS6A	SNJERDW		<b>MR647101</b>	1	1 BEIGE INT:62F
0512-1-	CS6A	SNJERDW		<b>MR789154</b>	1	1 D-GRAY INT:40X,63P
0805-1-	CS6A	SNJERDW SNJERDW2		<b>MR647101</b>	1	1 BEIGE INT:41Y,42Y
<b>74006</b>						<b>BOX,FLOOR CONSOLE,INR</b>
0512-1-0804-3	CS6A	SNJERDW	Y	<b>MR647769</b> <b>(MR512528)</b>	1	1 BEIGE INT:62F
0512-1-	CS6A	SNJERDW	Y	<b>MR626771</b> <b>(MR512528)</b>	1	1 D-GRAY INT:40X,63P
0805-1-	CS6A	SNJERDW SNJERDW2	Y	<b>MR647769</b> <b>(MR512528)</b>	1	1 BEIGE INT:41Y,42Y
<b>74016B</b>						<b>BRACKET,FLOOR CONSOLE</b>
0512-1-	ALL			<b>MR962933</b>	1	
<b>74022</b>						<b>BRACKET,FLOOR CONSOLE,FR</b>
0512-1-	ALL			<b>MR951418</b>	1	

52 -080 CONSOLE

P N C		MODEL APPLICABLE		QTY	REMARKS	P N C		MODEL APPLICABLE		QTY	REMARKS
FROM-UP TO	TYPE	DESCRIPTION	PART NO. (REPL P/NO.)			FROM-UP TO	TYPE	DESCRIPTION	PART NO. (REPL P/NO.)		
<b>74023</b>		BRACKET,FLOOR CONSOLE,RR				<b>74182G</b>		SCREW,FLOOR CONSOLE			
0512-1-	ALL		<b>MR506535</b>	1		0512-1-	ALL		<b>MB409437</b>	6	TAPPING,5X12
<b>74030</b>		CONSOLE,FLOOR,RR				<b>74182H</b>		SCREW,FLOOR CONSOLE			
0512-1-0804-3	CS6A	SNDERDW	<b>MR647768</b>	1	BEIGE INT:62F	0512-1-	ALL		<b>MF351012</b>	2	WASHER ASSEMBLED,BLACK,5X20
0512-1-	CS6A	SNJERDW	<b>MR626770</b>	1	D-GRAY INT:40X,63P						
0805-1-	CS6A	SNDERDW SNDERDW2	<b>MR647768</b>	1	BEIGE INT:41Y,42Y						
<b>74041</b>		CONSOLE,FLOOR,FR				<b>74182J</b>		SCREW,FLOOR CONSOLE			
0512-1-0804-3	CS6A	SNDERDW	<b>MR647138</b>	1	BEIGE INT:62F	0512-1-	ALL		<b>MR381143</b>	1	TAPPING,4X14
0512-1-	CS6A	SNJERDW	<b>MR626763</b>	1	D-GRAY INT:40X,63P	<b>74186C</b>		NUT,FLOOR CONSOLE			
0805-1-	CS6A	SNDERDW SNDERDW2	<b>MR647138</b>	1	BEIGE INT:41Y,42Y	0512-1-	ALL		<b>MB135995</b>	1	SPRING,5
<b>74054</b>		COVER,FLOOR CONSOLE SIDE				<b>74188B</b>		CLIP,FLOOR CONSOLE			
0512-1-0804-3	CS6A	SNDERDW	<b>MR647139</b>	1	BEIGE INT:62F	0512-1-	ALL		<b>MR402859</b>	8	
0512-1-	CS6A	SNJERDW	<b>MR550408</b>	1	BLACK INT:40X,63P	<b>74188C</b>		CLIP,FLOOR CONSOLE			
0805-1-	CS6A	SNDERDW SNDERDW2	<b>MR647139</b>	1	BEIGE INT:41Y,42Y	0512-1-	ALL		<b>MR402859</b>	2	
<b>74061</b>		CUSHION,FLOOR CONSOLE				<b>74188D</b>		CLIP,FLOOR CONSOLE			
0512-1-	ALL		<b>MB604673</b>	4		0512-1-	ALL		<b>MB566720</b>	1	NATURAL,9X14.6
<b>74065</b>		LEVER,FLOOR CONSOLE LID LOCK				<b>74192B</b>		BOLT,FLOOR CONSOLE			
0512-1-	ALL		<b>MR233569</b>	1		0512-1-	ALL		<b>MS240121</b>	4	WASHER ASSEMBLED,6X16
<b>74066</b>		LID,FLOOR CONSOLE				<b>74192C</b>		BOLT,FLOOR CONSOLE			
0512-1-0804-3	CS6A	SNDERDW	<b>MR647770</b>	1	BEIGE INT:62F	0512-1-	ALL		<b>MS240125</b>	3	WASHER ASSEMBLED,8X20
0512-1-	CS6A	SNJERDW	<b>MR626773</b>	1	D-GRAY INT:40X,63P	<b>82829</b>		CIGAR LIGHTER,FLOOR CONSOLE			
0805-1-	CS6A	SNDERDW SNDERDW2	<b>MR647770</b>	1	BEIGE INT:41Y,42Y	0512-1-0605-3	ALL		<b>MR233903</b>	1	
<b>74069</b>		HINGE,FLOOR CONSOLE BOX LID				0606-1-	ALL		<b>MN121271</b>	1	
0512-1-	ALL		<b>MR512709</b>	1		<b>83092</b>		HARNES,INSTRUMENT PANEL CTR CONSOLE LAMP			
<b>74089B</b>		LOCK,FLOOR CONSOLE				0512-1-	ALL		<b>MR572112</b>	1	
0512-1-0804-3	CS6A	SNDERDW	<b>MR647192</b>	1	INT:62F						
0512-1-	CS6A	SNJERDW	<b>MR626793</b>	1	INT:40X,63P D-GRAY						
0805-1-	CS6A	SNDERDW SNDERDW2	<b>MR647192</b>	1	INT:41Y,42Y						
<b>74089C</b>		LOCK,FLOOR CONSOLE									
0512-1-0804-3	CS6A	SNDERDW	<b>MR647190</b>	1	INT:62F						
0512-1-	CS6A	SNJERDW	<b>MR626792</b>	1	INT:40X,63P D-GRAY						
0805-1-	CS6A	SNDERDW SNDERDW2	<b>MR647190</b>	1	INT:41Y,42Y						
<b>74094</b>		SPRING,FLOOR CONSOLE STOPPER									
0512-1-	ALL		<b>MB604627</b>	2							
<b>74182B</b>		SCREW,FLOOR CONSOLE									
0512-1-	ALL		<b>MF453273</b>	7	TAPPING,5X16						
0705-1-	ALL		<b>MF453033</b>	1	TAPPING,5X16						
<b>74182C</b>		SCREW,FLOOR CONSOLE									
0512-1-	ALL		<b>MF453033</b>	2	TAPPING,5X16						
<b>74182D</b>		SCREW,FLOOR CONSOLE									
0512-1-	ALL		<b>MB409435</b>	4	TAPPING,4X10						
<b>74182E</b>		SCREW,FLOOR CONSOLE									
0512-1-	ALL		<b>MF453782</b>	2	TAPPING,GREEN,3X10						
<b>74182F</b>		SCREW,FLOOR CONSOLE									
0512-1-	ALL		<b>MF453031</b>	1	TAPPING,5X12						



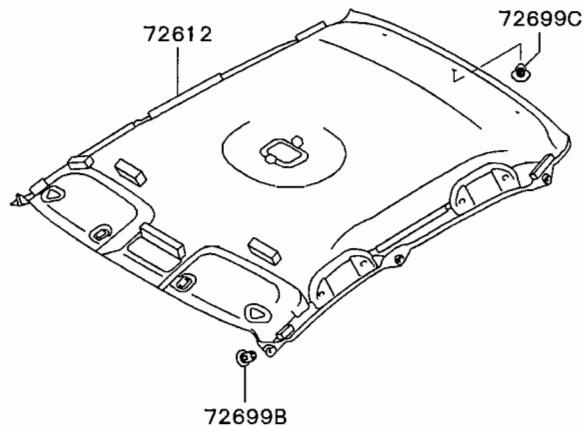
## 52 -150 MIRROR,GRIPS & SUNVISOR



D00116

P N C	MODEL APPLICABLE		B P	PART NO. (REPL P/NO.)	Q Y	REMARKS
	FROM-UP TO	TYPE				
<b>63275B</b>						
0512-1-0804-3	CS6A	SNJERDW		<b>MR471070</b>	6	L-BEIGE INT:62F
0512-1-	CS6A	SNJERDW		<b>MR471069</b>	6	L-GRAY INT:40X,63P
0805-1-	CS6A	SNJERDW SNJERDW2		<b>MR471070</b>	6	L-BEIGE INT:41Y,42Y
<b>63279B</b>						
0512-1-	ALL			<b>MR975728</b>	6	5X18
<b>74311</b>						
0512-1-0804-3	CS6A	SNJERDW		<b>MR480056</b>	2	L-BEIGE INT:62F
0512-1-	CS6A	SNJERDW		<b>MR480057</b>	2	L-GRAY INT:40X,63P
0805-1-	CS6A	SNJERDW SNJERDW2		<b>MR480056</b>	2	L-BEIGE INT:41Y,42Y
<b>74312A</b>						
0512-1-	ALL			<b>MN124448</b>	1	
<b>74321L</b>						
0512-1-0804-3	CS6A	SNJERDW		<b>MN151157YA</b>	1	L-BEIGE,W/MIRROR INT:62F
0512-1-	CS6A	SNJERDW		<b>MN151157HA</b>	1	L-GRAY,W/MIRROR INT:40X,63P
0805-1-	CS6A	SNJERDW SNJERDW2		<b>MN151157YA</b>	1	L-BEIGE,W/MIRROR INT:41Y,42Y
<b>74321R</b>						
0512-1-0804-3	CS6A	SNJERDW		<b>MR633314</b>	1	L-BEIGE,W/HOLDER INT:62F
0512-1-	CS6A	SNJERDW		<b>MR625942</b>	1	L-GRAY,W/HOLDER INT:40X,63P
0805-1-	CS6A	SNJERDW SNJERDW2		<b>MR633314</b>	1	L-BEIGE,W/HOLDER INT:41Y,42Y
<b>74395</b>						
0512-1-	ALL			<b>MF205654</b>	4	MACHINE CONE POINT,5X16
<b>78325B</b>						
0512-1-0804-3	CS6A	SNJERDW		<b>MR330018</b>	2	L-BEIGE INT:62F
0512-1-0804-3	CS6A	SNJERDW		<b>MR330022</b>	1	L-BEIGE INT:62F W/COAT HANGER,RH
0512-1-	CS6A	SNJERDW		<b>MR330017</b>	2	L-GRAY INT:40X,63P
0512-1-	CS6A	SNJERDW		<b>MR330021</b>	1	L-GRAY INT:40X,63P W/COAT HANGER,RH
0805-1-	CS6A	SNJERDW SNJERDW2		<b>MR330018</b>	2	L-BEIGE INT:41Y,42Y
0805-1-	CS6A	SNJERDW SNJERDW2		<b>MR330022</b>	1	L-BEIGE INT:41Y,42Y W/COAT HANGER,R H

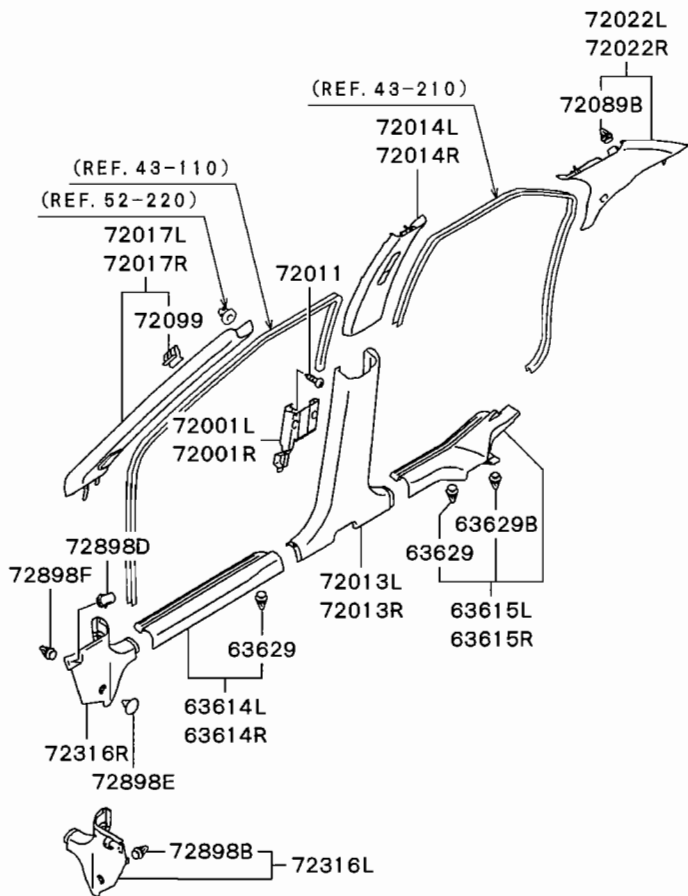
52 -220 HEADLINING



D00028A

P N C	MODEL APPLICABLE		B P	PART NO. (REPL P/NO.)	Q Y	REMARKS
	FROM-UP TO	TYPE				
<b>72612</b>						
0512-1-0804-3	CS6A	SNJERDW		<b>MR633738</b>	1	L-BEIGE INT:62F
0512-1-	CS6A	SNJERDW		<b>MR619778</b>	1	L-GRAY INT:40X,63P
0805-1-	CS6A	SNJERDW SNJERDW2		<b>MR633738</b>	1	L-BEIGE INT:41Y,42Y
<b>72699B</b>		CLIP,HEADLINING				
0512-1-		ALL		<b>MB817060</b>	6	
<b>72699C</b>		CLIP,HEADLINING				
0512-1-0804-3	CS6A	SNJERDW		<b>MR796079</b>	3	INT:62F
0512-1-	CS6A	SNJERDW		<b>MR796078</b>	3	INT:40X,63P
0805-1-	CS6A	SNJERDW SNJERDW2		<b>MR796079</b>	3	INT:41Y,42Y

52 -230 INTERIOR TRIM



D00017D

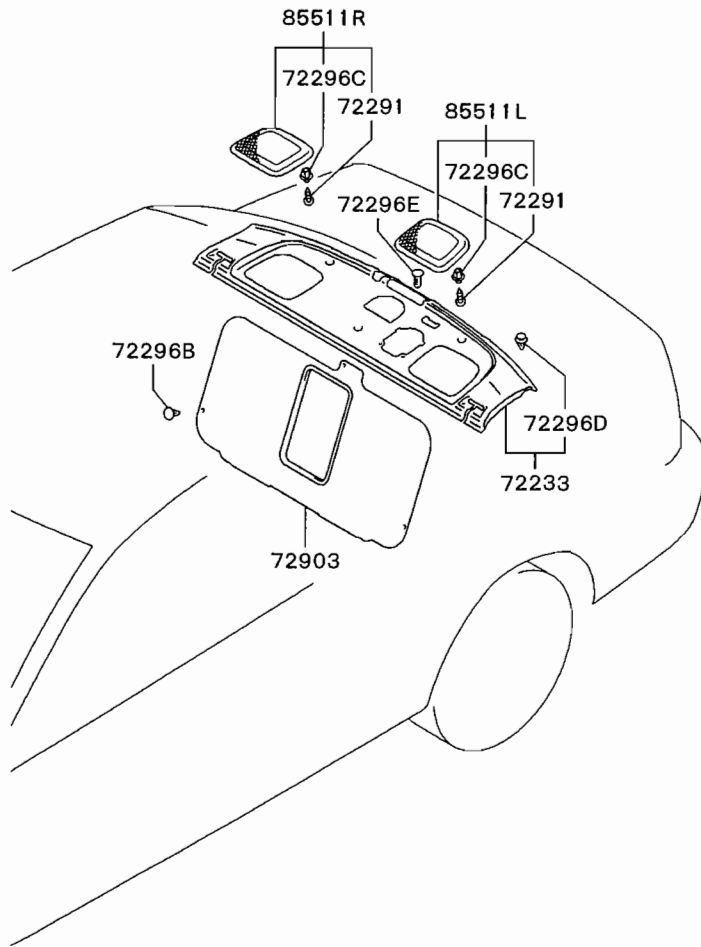
P N C	MODEL APPLICABLE		PART NO. (REPL P/NO.)	Q Y	REMARKS
	FROM-UP TO	TYPE			
<b>63614L</b>					
0512-1-0804-3	CS6A	SNDRDW	<b>MR647354</b>	1	BEIGE INT:62F
0512-1-	CS6A	SNJERDW	<b>MR627154</b>	1	D-GRAY INT:40X,63P
0805-1-	CS6A	SNDRDW SNDRDW2	<b>MR647354</b>	1	BEIGE INT:41Y,42Y
<b>63614R</b>					
0512-1-0804-3	CS6A	SNDRDW	<b>MR647355</b>	1	BEIGE INT:62F
0512-1-	CS6A	SNJERDW	<b>MR627155</b>	1	D-GRAY INT:40X,63P
0805-1-	CS6A	SNDRDW SNDRDW2	<b>MR647355</b>	1	BEIGE INT:41Y,42Y
<b>63615L</b>					
0512-1-0804-3	CS6A	SNDRDW	<b>MR647356</b>	1	BEIGE INT:62F
0512-1-	CS6A	SNJERDW	<b>MR627156</b>	1	D-GRAY INT:40X,63P
0805-1-	CS6A	SNDRDW SNDRDW2	<b>MR647356</b>	1	BEIGE INT:41Y,42Y
<b>63615R</b>					
0512-1-0804-3	CS6A	SNDRDW	<b>MR647357</b>	1	BEIGE INT:62F
0512-1-	CS6A	SNJERDW	<b>MR627157</b>	1	D-GRAY INT:40X,63P
0805-1-	CS6A	SNDRDW SNDRDW2	<b>MR647357</b>	1	BEIGE INT:41Y,42Y
<b>63629</b>					
0512-1-	ALL	CLIP,SCUFF PLATE	<b>MR181745</b>	8	NATURAL,8.2X13
0512-1-	ALL		<b>MB344789</b>	6	YELLOW
<b>63629B</b>					
0512-1-	ALL	CLIP,SCUFF PLATE	<b>MR417195</b>	2	
<b>72001L</b>					
0512-1-0611-3	ALL	BRACKET,CTR PILLAR TRIM,LH	<b>MR975239</b>	1	
<b>72001R</b>					
0512-1-0611-3	ALL	BRACKET,CTR PILLAR TRIM,RH	<b>MR975240</b>	1	
<b>72011</b>					
0512-1-0611-3	ALL	SCREW,CTR PILLAR TRIM	<b>MF453031</b>	6	TAPPING,5X12
<b>72013L</b>					
0512-1-0804-3	CS6A	SNDRDW	<b>MR647360</b>	1	BEIGE INT:62F
0512-1-	CS6A	SNJERDW	<b>MR627160</b>	1	D-GRAY INT:40X,63P
0805-1-	CS6A	SNDRDW SNDRDW2	<b>MR647360</b>	1	BEIGE INT:41Y,42Y
<b>72013R</b>					
0512-1-0804-3	CS6A	SNDRDW	<b>MR647361</b>	1	BEIGE INT:62F
0512-1-	CS6A	SNJERDW	<b>MR627161</b>	1	D-GRAY INT:40X,63P
0805-1-	CS6A	SNDRDW SNDRDW2	<b>MR647361</b>	1	BEIGE INT:41Y,42Y
<b>72014L</b>					
0512-1-0804-3	CS6A	SNDRDW	<b>MR648672</b>	1	L-BEIGE INT:62F
0512-1-	CS6A	SNJERDW	<b>MR644582</b>	1	L-GRAY INT:40X,63P
0805-1-	CS6A	SNDRDW SNDRDW2	<b>MR648672</b>	1	L-BEIGE INT:41Y,42Y
<b>72014R</b>					
0512-1-0804-3	CS6A	SNDRDW	<b>MR648673</b>	1	L-BEIGE INT:62F
0512-1-	CS6A	SNJERDW	<b>MR644583</b>	1	L-GRAY INT:40X,63P
0805-1-	CS6A	SNDRDW SNDRDW2	<b>MR648673</b>	1	L-BEIGE INT:41Y,42Y
<b>72017L</b>					
0512-1-0804-3	CS6A	SNDRDW	<b>MR648662</b>	1	L-BEIGE INT:62F
0512-1-	CS6A	SNJERDW	<b>MR644580</b>	1	L-GRAY INT:40X,63P

52 -230 INTERIOR TRIM

P N C	MODEL APPLICABLE	UNIT	PART NO.	Q	REMARKS
FROM/UP TO	TYPE DESCRIPTION		(REPL P/NO.)	TY	
<b>72017L</b>	TRIM,FR PILLAR,LH				
0805-1-	CS6A SNDERDW SNDERDW2		<b>MR648662</b>	1	L-BEIGE INT:41Y,42Y
<b>72017R</b>	TRIM,FR PILLAR,RH				
0512-1-0804-3	CS6A SNDERDW		<b>MR648663</b>	1	L-BEIGE INT:62F
0512-1-	CS6A SNJERDW		<b>MR644581</b>	1	L-GRAY INT:40X,63P
0805-1-	CS6A SNDERDW SNDERDW2		<b>MR648663</b>	1	L-BEIGE INT:41Y,42Y
<b>72022L</b>	TRIM,RR PILLAR,LH				
0512-1-0804-3	CS6A SNDERDW		<b>MR648679</b>	1	L-BEIGE INT:62F
0512-1-	CS6A SNJERDW		<b>MR648678</b>	1	L-GRAY INT:40X,63P
0805-1-	CS6A SNDERDW SNDERDW2		<b>MR648679</b>	1	L-BEIGE INT:41Y,42Y
<b>72022R</b>	TRIM,RR PILLAR,RH				
0512-1-0804-3	CS6A SNDERDW		<b>MR648681</b>	1	L-BEIGE INT:62F
0512-1-	CS6A SNJERDW		<b>MR648680</b>	1	L-GRAY INT:40X,63P
0805-1-	CS6A SNDERDW SNDERDW2		<b>MR648681</b>	1	L-BEIGE INT:41Y,42Y
<b>72089B</b>	CLIP,RR PILLAR TRIM				
0512-1-	ALL		<b>MU481245</b>	10	NATURAL W/O PACKING
<b>72099</b>	CLIP,FR PILLAR TRIM				
0512-1-	ALL		<b>MU470013</b>	4	
<b>72316L</b>	TRIM,COWL SIDE,LH				
0512-1-0804-3	CS6A SNDERDW		<b>MR647911</b>	1	BEIGE INT:62F
0512-1-	CS6A SNJERDW		<b>MR633500</b>	1	D-GRAY INT:40X,63P
0805-1-	CS6A SNDERDW SNDERDW2		<b>MR647911</b>	1	BEIGE INT:41Y,42Y
<b>72316R</b>	TRIM,COWL SIDE,RH				
0512-1-0804-3	CS6A SNDERDW		<b>MR647359</b>	1	BEIGE INT:62F
0512-1-	CS6A SNJERDW		<b>MR627159</b>	1	D-GRAY INT:40X,63P
0805-1-	CS6A SNDERDW SNDERDW2		<b>MR647359</b>	1	BEIGE INT:41Y,42Y
<b>72898B</b>	CLIP,FLOOR TRIM				
0512-1-	ALL		<b>MR200275</b>	1	
<b>72898D</b>	CLIP,FLOOR TRIM				
0512-1-	ALL		<b>MB899664</b>	1	
<b>72898E</b>	CLIP,FLOOR TRIM				
0512-1-0804-3	CS6A SNDERDW		<b>MR647349</b>	2	BEIGE INT:62F
0512-1-	CS6A SNJERDW		<b>MR627244</b>	2	D-GRAY INT:40X,63P
0805-1-	CS6A SNDERDW SNDERDW2		<b>MR647349</b>	2	BEIGE INT:41Y,42Y
<b>72898F</b>	CLIP,FLOOR TRIM				
0512-1-	ALL		<b>MU488002</b>	1	WPACKING

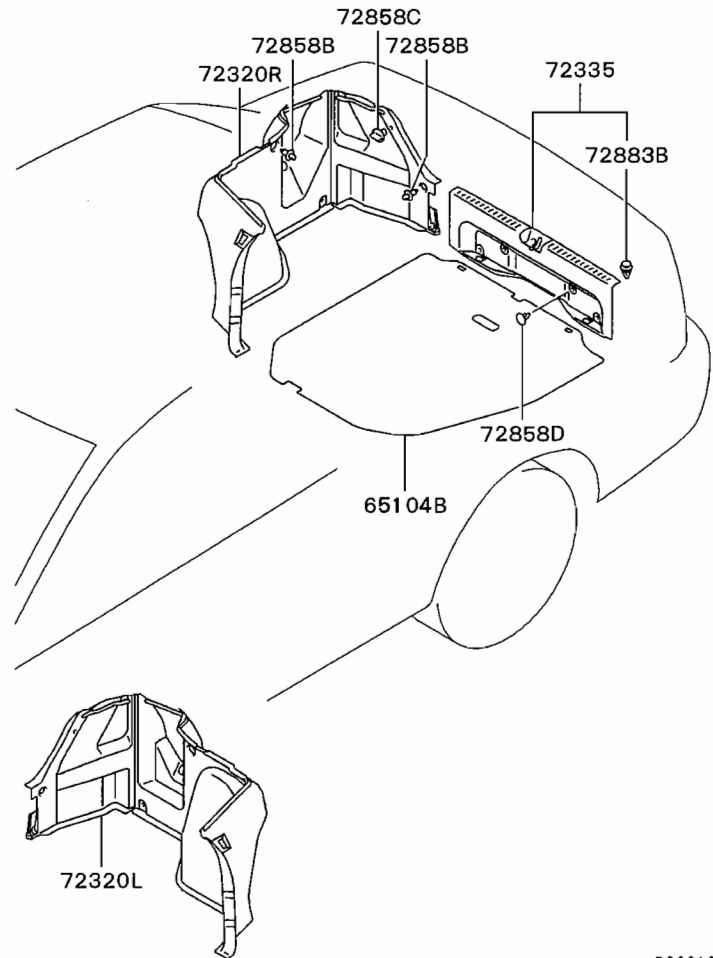
# 52-250 BAGGAGE ROOM TRIM

CS6A:REAR SHELF TRIM,ETC.



D00017A

CS6A:TRUNK ROOM TRIM

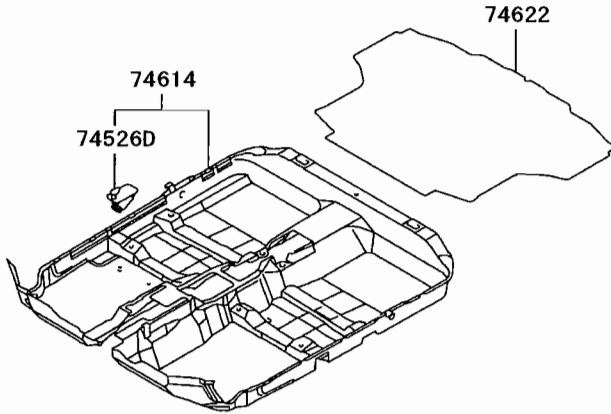


D00010A

## 52 -250 BAGGAGE ROOM TRIM

P N C	MODEL APPLICABLE	RR	PART NO.	Q	REMARKS
FROM UP TO	TYPE DESCRIPTION		(REPL P/NO.)	TY	
<b>65104B</b>	BOARD,TRUNK ROOM FLOOR				
0512-1-	ALL		<b>MN134679</b>	1	
<b>72233</b>	TRIM,RR SHELF				
0512-1-0804-3	CS6A SNDRDW		<b>MR647375</b>	1	BEIGE INT.62F
0512-1-	CS6A SNJERDW		<b>MR634496</b>	1	D-GRAY INT.40X.63P
0805-1-	CS6A SNDRDW SNDRDW2		<b>MR647375</b>	1	BEIGE INT.41Y.42Y
<b>72291</b>	SCREW,RR SHELF TRIM				
0512-1-	ALL		<b>MS452413</b>	6	TAPPING.4X25
<b>72296B</b>	CLIP,RR SHELF TRIM				
0512-1-	ALL		<b>MR962621</b>	3	D-GRAY
<b>72296C</b>	CLIP,RR SHELF TRIM				
0512-1-	ALL		<b>MR417196</b>	6	
<b>72296D</b>	CLIP,RR SHELF TRIM				
0512-1-	ALL		<b>MR975151</b>	5	
<b>72296E</b>	CLIP,RR SHELF TRIM				
0512-1-	ALL		<b>MU481245</b>	1	NATURAL.18X13.2 W/O PACKING
<b>72320L</b>	TRIM,TRUNK ROOM SIDE,LH				
0512-1-	ALL		<b>MR444261</b>	1	GRAY
<b>72320R</b>	TRIM,TRUNK ROOM SIDE,RH				
0512-1-	ALL		<b>MR444262</b>	1	GRAY
<b>72335</b>	TRIM,TRUNK ROOM RR END				
0512-1-	ALL		<b>MR444269</b>	1	GRAY
<b>72858B</b>	CLIP,TRUNK ROOM TRIM				
0512-1-	ALL		<b>MR975477HC</b>	6	D-GRAY
<b>72858C</b>	CLIP,TRUNK ROOM TRIM				
0512-1-	ALL		<b>MR201972</b>	2	BLACK
<b>72858D</b>	CLIP,TRUNK ROOM TRIM				
0512-1-0612-3	CS6A ALL		<b>MR572500</b>	4	GRAY
0701-1-	CS6A ALL		<b>MR572500</b>	2	GRAY
<b>72883B</b>	CLIP,RR END TRIM				
0512-1-0704-3	ALL		<b>MU481245</b>	4	NATURAL W/O PACKING
0705-1-	ALL		<b>MU481245</b>	2	NATURAL W/O PACKING
0705-1-	ALL		<b>MB608104</b>	2	YELLOW W/O PACKING
<b>72903</b>	BOARD,LUGGAGE ROOM PARTITION				
0512-1-	ALL		<b>MR417066</b>	1	
<b>85511L</b>	GARNISH,RR SHELF SPEAKER,LH				
0512-1-0804-3	CS6A SNDRDW		<b>MR647363</b>	1	BEIGE INT.62F
0512-1-	CS6A SNJERDW		<b>MR631995</b>	1	D-GRAY INT.40X.63P
0805-1-	CS6A SNDRDW SNDRDW2		<b>MR647363</b>	1	BEIGE INT.41Y.42Y
<b>85511R</b>	GARNISH,RR SHELF SPEAKER,RH				
0512-1-0804-3	CS6A SNDRDW		<b>MR647365</b>	1	BEIGE INT.62F
0512-1-	CS6A SNJERDW		<b>MR631996</b>	1	D-GRAY INT.40X.63P
0805-1-	CS6A SNDRDW SNDRDW2		<b>MR647365</b>	1	BEIGE INT.41Y.42Y

# 52 -310 FLOOR MAT

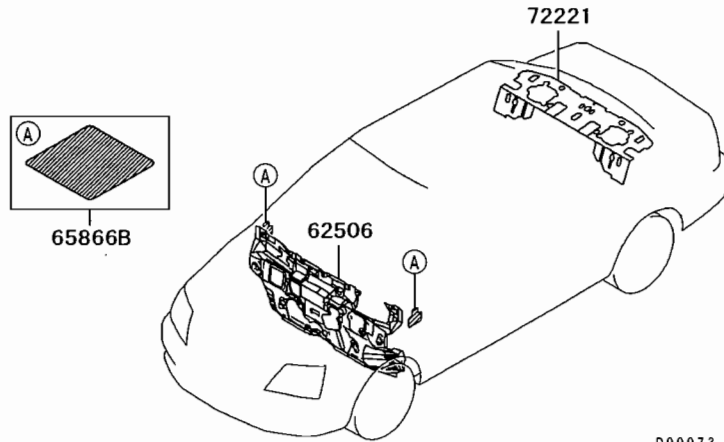
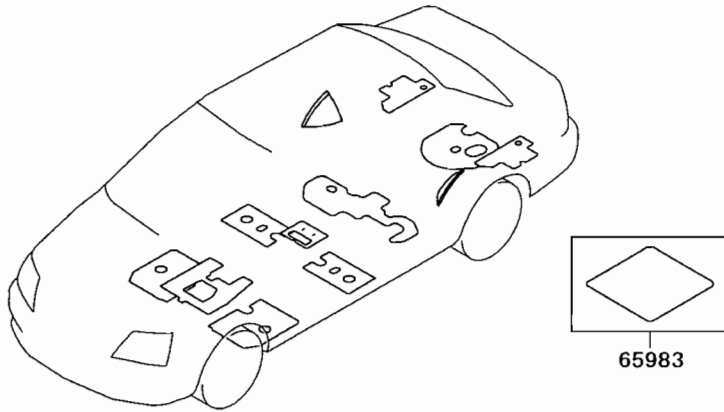


000075

P N C	MODEL APPLICABLE		P	PART NO. (REPL P/NO.)	Q Y	RE MARKS
	FROM-UP TO	TYPE				
<b>74526D</b>						
0512-1-						
<b>74614</b>						
0512-1-0804-3	CS6A	SNOERDW		<b>7272A011</b>	1	
0512-1-	CS6A	SNJERDW		<b>MN124087YA</b>	1	BEIGE INT:62F
0805-1-	CS6A	SNDERDW SNDERDW2		<b>MN124087HA</b>	1	D-GRAY INT:40X,63P
<b>74622</b>				<b>MN124087YA</b>	1	BEIGE INT:41Y,42Y
0512-1-0710-3						
				<b>MR417013</b>	1	GRAY
				<b>(MR951543)</b>		
0711-1-				<b>MR951543</b>	1	GRAY

## 52 -330 SILENCER

P N C	MODEL APPLICABLE	B	PART NO.	Q	REMARKS
FROM-UP TO	TYPE DESCRIPTION	P	(REPL. P/NO.)	Y	
<b>62506</b> 0512-1-	PAD,DASH PANEL ALL		<b>MR444280</b>	1	
<b>65866B</b> 0512-1-	PAD,SILENCER ALL		<b>MB241601</b>		AR 1000X1000X4.7 FELTOP(3) +PVC(1.7)
0512-1-	ALL		<b>MB241600</b>		AR 910X910X8.0 FELTOP
0512-1-	ALL		<b>MB104993</b>		AR 500X500X1.6 MELTING SHEET
<b>65983</b> 0512-1-	PAD,FLOOR ALL		<b>MB566215</b>		AR 500X500X2.0 RUBBER SPECIAL SHEET(RSS)
0512-1-	ALL				
<b>72221</b> 0512-1-	PAD,RR SHELF TRIM ALL		<b>MR417050</b>	1	



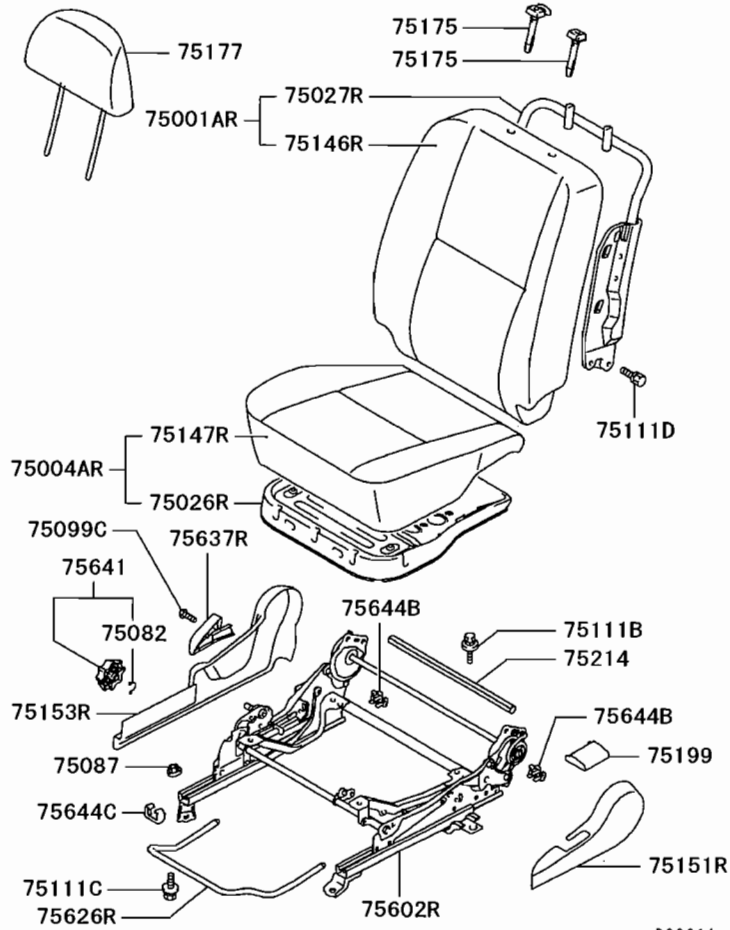
D00073



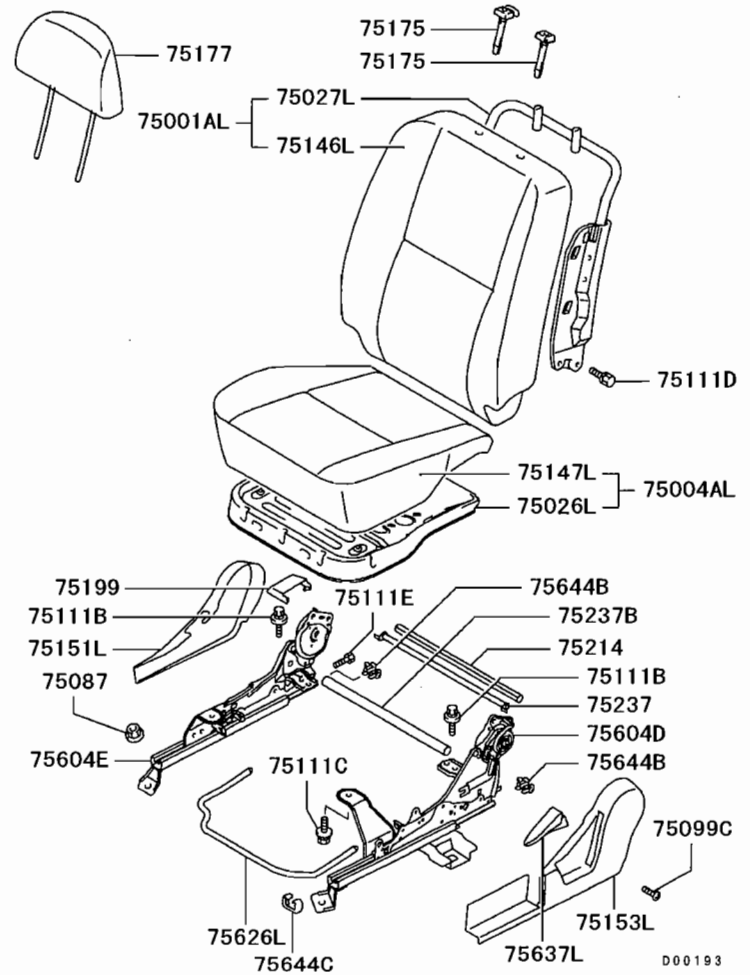
# 53-010 FRONT SEAT

CS6A:RH

CS6A:LH



D00214



D00193

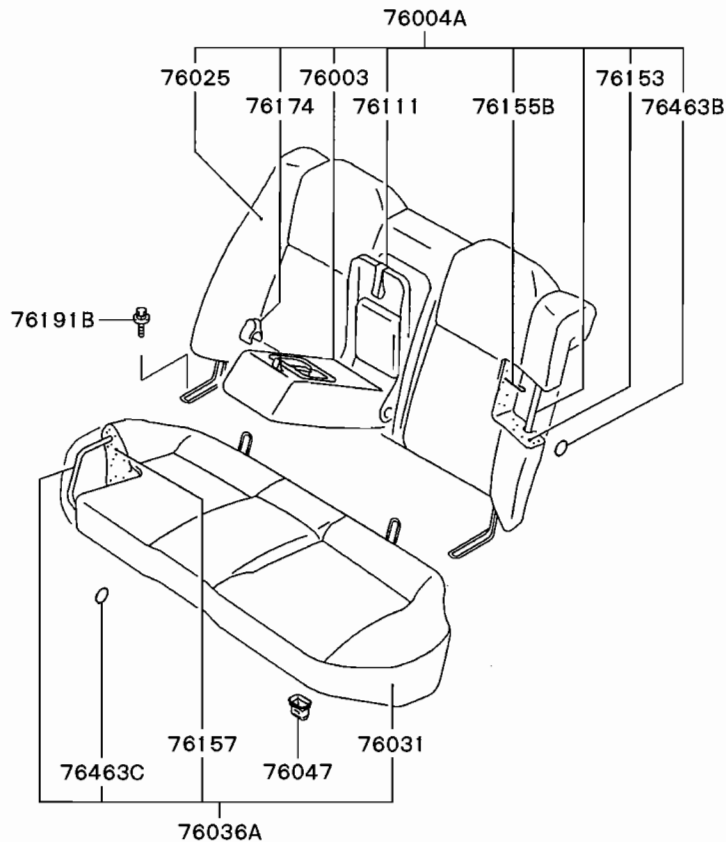
53-010 FRONT SEAT

P N C		MODEL APPLICABLE		UNIT	PART NO. (REPL P/NO.)	QTY	REMARKS	P N C		MODEL APPLICABLE		UNIT	PART NO. (REPL P/NO.)	QTY	REMARKS
FROM-UP TO	TYPE	DESCRIPTION	FROM-UP TO					TYPE	DESCRIPTION						
<b>75001AL</b>		BACK ASSY,FR SEAT,LH						<b>75146R</b>		COVER,FR SEAT BACK,RH					
0512-1-0804-3	CS6A	SNJERDW			<b>MN162390XD</b>	1	BLACK INT:63P	0512-1-0804-3	CS6A	SNJERDW		<b>MN162421XD</b>	1	BLACK,W/PAD INT:63P	
0512-1-0804-3	CS6A	SNJERDW			<b>MN162390YA</b>	1	BEIGE INT:62F	0512-1-0804-3	CS6A	SNJERDW		<b>MN162421YA</b>	1	BEIGE,W/PAD INT:62F	
0805-1-	CS6A	SNJERDW			<b>MN162390XA</b>	1	BLACK INT:40X	0805-1-	CS6A	SNJERDW		<b>MN162421XA</b>	1	BLACK,W/PAD INT:40X	
0805-1-	CS6A	SNJERDW SNJERDW2			<b>MN162390YD</b>	1	BEIGE INT:41Y,42Y		<b>75147L</b>	COVER,FR SEAT CUSHION,LH		<b>MN162411XD</b>	1	BLACK,W/PAD INT:63P	
<b>75001AR</b>		BACK ASSY,FR SEAT,RH						0512-1-0804-3	CS6A	SNJERDW		<b>MN162411XD</b>	1	BLACK,W/PAD INT:63P	
0512-1-0804-3	CS6A	SNJERDW			<b>MN162390XD</b>	1	BLACK INT:63P	0512-1-0804-3	CS6A	SNJERDW		<b>MN162411YA</b>	1	BEIGE,W/PAD INT:62F	
0512-1-0804-3	CS6A	SNJERDW			<b>MN162390YA</b>	1	BEIGE INT:62F	0805-1-	CS6A	SNJERDW		<b>MN162411XA</b>	1	BLACK,W/PAD INT:40X	
0805-1-	CS6A	SNJERDW			<b>MN162390XA</b>	1	BLACK INT:40X		<b>75147R</b>	COVER,FR SEAT CUSHION,RH		<b>MN162416XD</b>	1	BLACK,W/PAD INT:63P	
0805-1-	CS6A	SNJERDW SNJERDW2			<b>MN162390YD</b>	1	BEIGE INT:41Y,42Y	0512-1-0804-3	CS6A	SNJERDW		<b>MN162416YA</b>	1	BEIGE,W/PAD INT:62F	
<b>75004AL</b>		CUSHION ASSY,FR SEAT,LH						0512-1-0804-3	CS6A	SNJERDW		<b>MN162416XA</b>	1	BLACK,W/PAD INT:40X	
0512-1-0804-3	CS6A	SNJERDW			<b>MN162381XD</b>	1	BLACK INT:63P	0805-1-	CS6A	SNJERDW					
0512-1-0804-3	CS6A	SNJERDW			<b>MN162381YA</b>	1	BEIGE INT:62F		<b>75151L</b>	COVER,FR SEAT HINGE,LH		<b>MR648805</b>	1	BEIGE INT:62F	
0805-1-	CS6A	SNJERDW			<b>MN162381XA</b>	1	BLACK INT:40X	0512-1-0804-3	CS6A	SNJERDW		<b>MR629132</b>	1	D-GRAY INT:40X,63P	
0805-1-	CS6A	SNJERDW SNJERDW2						0805-1-	CS6A	SNJERDW SNJERDW2		<b>MR648805</b>	1	BEIGE INT:41Y,42Y	
<b>75004AR</b>		CUSHION ASSY,FR SEAT,RH						<b>75151R</b>	COVER,FR SEAT HINGE,RH			<b>MR648806</b>	1	BEIGE INT:62F	
0512-1-0804-3	CS6A	SNJERDW			<b>MN162386XD</b>	1	BLACK INT:63P	0512-1-0804-3	CS6A	SNJERDW		<b>MR629133</b>	1	D-GRAY INT:40X,63P	
0512-1-0804-3	CS6A	SNJERDW			<b>MN162386YA</b>	1	BEIGE INT:62F	0805-1-	CS6A	SNJERDW SNJERDW2		<b>MR648806</b>	1	BEIGE INT:41Y,42Y	
0805-1-	CS6A	SNJERDW			<b>MN162386XA</b>	1	BLACK INT:40X		<b>75153L</b>	COVER,FR SEAT SIDE SHIELD,LH		<b>MR648803</b>	1	BEIGE INT:62F	
<b>75026L</b>		FRAME,FR SEAT CUSHION,LH						0512-1-	CS6A	SNJERDW		<b>MR629130</b>	1	D-GRAY INT:40X,63P	
0512-1-	ALL	ALL			<b>MR524258</b>	1		0805-1-	CS6A	SNJERDW SNJERDW2		<b>MR648803</b>	1	BEIGE INT:41Y,42Y	
<b>75026R</b>		FRAME,FR SEAT CUSHION,RH						<b>75153R</b>	COVER,FR SEAT SIDE SHIELD,RH			<b>MR648804</b>	1	BEIGE INT:62F	
0512-1-	ALL	ALL			<b>MR524258</b>	1		0512-1-0804-3	CS6A	SNJERDW		<b>MR629131</b>	1	D-GRAY INT:40X,63P	
<b>75027L</b>		FRAME,FR SEAT BACK,LH						0512-1-	CS6A	SNJERDW		<b>MR648804</b>	1	BEIGE INT:41Y,42Y	
0512-1-	ALL	ALL			<b>MR966691</b>	1		0805-1-	CS6A	SNJERDW SNJERDW2		<b>MR648804</b>	1	BEIGE INT:62F	
<b>75027R</b>		FRAME,FR SEAT BACK,RH						<b>75153R</b>	COVER,FR SEAT SIDE SHIELD,RH			<b>MR629131</b>	1	D-GRAY INT:40X,63P	
0512-1-	ALL	ALL			<b>MR966691</b>	1		0512-1-0804-3	CS6A	SNJERDW		<b>MR648804</b>	1	BEIGE INT:41Y,42Y	
<b>75082</b>		SNAP RING,FR SEAT						0512-1-	CS6A	SNJERDW		<b>MR648196</b>	2	W/LOCK,BEIGE INT:62F	
0512-1-	ALL	ALL			<b>MB916447</b>	1		0512-1-0804-3	CS6A	SNJERDW		<b>MR648197</b>	2	W/O LOCK,BEIGE INT:62F	
<b>75087</b>		NUT,FR SEAT						0512-1-	CS6A	SNJERDW		<b>MR753562</b>	2	W/LOCK,BLACK INT:40X,63P	
0512-1-	ALL	ALL			<b>MU431010</b>	4	CAP,WASHER ASSEMBLED	0512-1-	CS6A	SNJERDW		<b>MR753563</b>	2	W/O LOCK,BLACK INT:40X,63P	
<b>75099C</b>		SCREW,FR SEAT						0805-1-	CS6A	SNJERDW SNJERDW2		<b>MR648196</b>	2	W/LOCK,BEIGE INT:41Y,42Y	
0512-1-	ALL	ALL			<b>MR562118</b>	2		0805-1-	CS6A	SNJERDW SNJERDW2		<b>MR648197</b>	2	W/O LOCK,BEIGE INT:41Y,42Y	
<b>75111B</b>		BOLT,FR SEAT						<b>75175</b>	GUIDE,FR SEAT HEADREST			<b>6971A055XA</b>	2	BLACK INT:63P	
0512-1-	ALL	ALL			<b>MS240188</b>	4	WASHER ASSEMBLED,GREEN,10X30	0512-1-0804-3	CS6A	SNJERDW		<b>6971A055YA</b>	2	BEIGE INT:62F	
<b>75111C</b>		BOLT,FR SEAT						0512-1-0804-3	CS6A	SNJERDW		<b>6971A055XB</b>	2	BLACK INT:40X	
0512-1-	ALL	ALL			<b>MF243649</b>	8	WASHER ASSEMBLED,8X16	0805-1-	CS6A	SNJERDW		<b>6971A055YB</b>	2	BEIGE INT:41Y,42Y	
<b>75111D</b>		BOLT,FR SEAT						<b>75177</b>	HEADREST,FR SEAT			<b>MR648200</b>	2	BEIGE INT:62F	
0512-1-	ALL	ALL			<b>MF241281</b>	8	WASHER ASSEMBLED,10X22	0512-1-0804-3	CS6A	SNJERDW		<b>MR628222</b>	2	D-GRAY INT:40X,63P	
<b>75111E</b>		BOLT,FR SEAT						0805-1-	CS6A	SNJERDW		<b>MR648200</b>	2	BEIGE INT:41Y,42Y	
0512-1-	ALL	ALL			<b>MR474788</b>	4	10X9	<b>75199</b>	COVER,FR SEAT ANCHOR,RR						
<b>75146L</b>		COVER,FR SEAT BACK,LH						0512-1-0804-3	CS6A	SNJERDW					
0512-1-0804-3	CS6A	SNJERDW			<b>MN162421XD</b>	1	BLACK,W/PAD INT:63P	0512-1-	CS6A	SNJERDW					
0512-1-0804-3	CS6A	SNJERDW			<b>MN162421YA</b>	1	BEIGE,W/PAD INT:62F	0805-1-	CS6A	SNJERDW SNJERDW2					
0805-1-	CS6A	SNJERDW			<b>MN162421XA</b>	1	BLACK,W/PAD INT:40X		<b>75214</b>	PROTECTOR,FR SEAT FRAME					
								0512-1-	ALL	ALL		<b>MR378798</b>	2		

53 -010 FRONT SEAT

P N C	MODEL APPLICABLE	PART NO.	Q	REMARKS
FROM/UP TO	TYPE DESCRIPTION	(REPL P/NO.)	Y	
<b>75237</b> 0512-1-	SHAFT,FR SEAT SUSP ALL	<b>MR501772</b>	1	
<b>75237B</b> 0512-1-	SHAFT,FR SEAT SUSP ALL	<b>MB941941</b>	1	
<b>75602R</b> 0512-1-0602-1 0602-2-	ADJUSTER,FR SEAT HEIGHT,RH ALL ALL	<b>6921A044</b> <b>6921A076</b>	1 1	
<b>75604D</b> 0512-1-0602-1 0602-2-	ADJUSTER,FR SEAT SLIDE ALL ALL	<b>MN177953</b> <b>6921A073</b>	1 1	
<b>75604E</b> 0512-1-0602-1 0602-2-	ADJUSTER,FR SEAT SLIDE ALL ALL	<b>MN177967</b> <b>6921A075</b>	1 1	
<b>75626L</b> 0512-1-	LEVER,FR SEAT SLIDE ADJUSTER,LH ALL	<b>MR501771</b>	1	
<b>75626R</b> 0512-1-	LEVER,FR SEAT SLIDE ADJUSTER,RH ALL	<b>MR501771</b>	1	
<b>75637L</b> 0512-1-0804-3 0512-1- 0805-1-	LEVER,FR SEAT RECLINING ADJUSTER,LH CS6A SNDERDW CS6A SNJERDW CS6A SNDERDW SNDERDW2	<b>MR648807</b> <b>MR632497</b> <b>MR648807</b>	1 1 1	BEIGE INT.62F D-GRAY INT.40X,63P BEIGE INT.41Y,42Y
<b>75637R</b> 0512-1-0804-3 0512-1- 0805-1-	LEVER,FR SEAT RECLINING ADJUSTER,RH CS6A SNDERDW CS6A SNJERDW CS6A SNDERDW SNDERDW2	<b>MR648808</b> <b>MR632499</b> <b>MR648808</b>	1 1 1	BEIGE INT.62F D-GRAY INT.40X,63P BEIGE INT.41Y,42Y
<b>75641</b> 0512-1-0804-3 0512-1- 0805-1-	KNOB,FR SEAT HEIGHT ADJUSTER CS6A SNDERDW CS6A SNJERDW CS6A SNDERDW SNDERDW2	<b>MR648687</b> <b>MR787784</b> <b>MR648687</b>	1 1 1	BEIGE INT.62F BLACK INT.40X,63P BEIGE INT.41Y,42Y
<b>75644B</b> 0512-1-0602-1 0602-2-	CAP,FR SEAT SLIDE ADJUSTER CS6A ALL CS6A ALL	<b>MR562566</b> <b>MR562566</b>	4 8	
<b>75644C</b> 0512-1-0602-1 0602-2-	CAP,FR SEAT SLIDE ADJUSTER CS6A ALL CS6A ALL	<b>6921A092</b> <b>6921A092</b>	2 4	

# 53 -110 REAR SEAT



D00084A

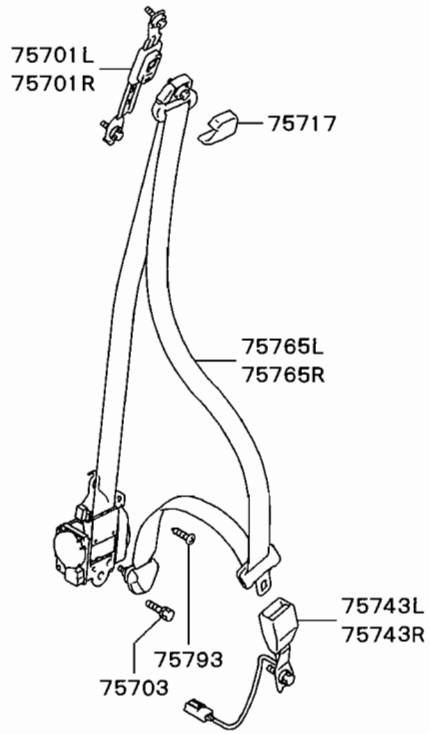
P N C	MODEL APPLICABLE		B P	PART NO. (REPL P/NO.)	Q Y	REMARKS
	FROM-UP TO	TYPE				
<b>76003</b>						
0512-1-0708-3	CS6A	SNJERDW		<b>6970A009XE</b>	1	BLACK INT:63P
0512-1-0804-3	CS6A	SNJERDW		<b>6970A009YC</b>	1	BEIGE INT:62F
0709-1-0804-3	CS6A	SNJERDW		<b>6970A009XJ</b>	1	BLACK INT:63P
0805-1-	CS6A	SNJERDW		<b>6970A009XK</b>	1	BLACK INT:40X
0805-1-	CS6A	SNJERDW SNJERDW2		<b>6970A009YG</b>	1	BEIGE INT:41Y,42Y
<b>76004A</b>						
0512-1-0708-3	CS6A	SNJERDW		<b>MR652183</b>	1	BLACK INT:63P
0512-1-0804-3	CS6A	SNJERDW		<b>MR648811</b>	1	BEIGE INT:62F
0709-1-0804-3	CS6A	SNJERDW		<b>MR656311</b>	1	BLACK INT:63P
0805-1-	CS6A	SNJERDW		<b>MR656310</b>	1	BLACK INT:40X
0805-1-	CS6A	SNJERDW SNJERDW2		<b>MR656434</b>	1	BEIGE INT:41Y,42Y
<b>76025</b>						
0512-1-0804-3	CS6A	SNJERDW		<b>MR648824</b>	1	BEIGE INT:62F
0512-1-0804-3	CS6A	SNJERDW		<b>MR652184</b>	1	BLACK INT:63P
0805-1-	CS6A	SNJERDW		<b>MR654225</b>	1	BLACK INT:40X
0805-1-	CS6A	SNJERDW SNJERDW2		<b>MR656437</b>	1	BEIGE INT:41Y,42Y
<b>76031</b>						
0512-1-0804-3	CS6A	SNJERDW		<b>MR648836</b>	1	BEIGE INT:62F
0512-1-0804-3	CS6A	SNJERDW		<b>MR652051</b>	1	BLACK INT:63P
0805-1-	CS6A	SNJERDW		<b>MR649413</b>	1	BLACK INT:40X
0805-1-	CS6A	SNJERDW SNJERDW2		<b>MR656413</b>	1	BEIGE INT:41Y,42Y
<b>76036A</b>						
0512-1-0804-3	CS6A	SNJERDW		<b>MR648832</b>	1	BEIGE INT:62F
0512-1-0804-3	CS6A	SNJERDW		<b>MR652050</b>	1	BLACK INT:63P
0805-1-	CS6A	SNJERDW		<b>MR649412</b>	1	BLACK INT:40X
0805-1-	CS6A	SNJERDW SNJERDW2		<b>MR656411</b>	1	BEIGE INT:41Y,42Y
<b>76047</b>						
0512-1-0710-3	ALL			<b>MN162537</b>	2	
0711-1-	ALL			<b>MR501840</b>	2	
<b>76111</b>						
0512-1-0804-3	CS6A	SNJERDW		<b>MR648815</b>	1	BEIGE INT:62F
0512-1-	CS6A	SNJERDW		<b>MR636885</b>	1	D-GRAY INT:40X,63P
0805-1-	CS6A	SNJERDW SNJERDW2		<b>MR648815</b>	1	BEIGE INT:41Y,42Y
<b>76153</b>						
0512-1-	ALL			<b>MR501790</b>	1	
<b>76155B</b>						
0512-1-	ALL			<b>MB342535</b>	1	2.0X1180
<b>76157</b>						
0512-1-	ALL			<b>MR501804</b>	1	
<b>76174</b>						
0512-1-	ALL			<b>MR562070</b>	1	
<b>76191B</b>						
0512-1-	ALL			<b>MU240146</b>	3	WASHER ASSEMBLED,8X25
<b>76463B</b>						
0512-1-	ALL			<b>MA167873</b>	AR	

53 -110 REAR SEAT

P N C FROM/UP TO	MODEL APPLICABLE TYPE DESCRIPTION	UNIT	PART NO. (REPL P/NO.)	Q T Y	REMARKS
<b>76463C</b> 0512-1-	RING,RR SEAT COVER ALL		<b>MA167873</b>	AR	

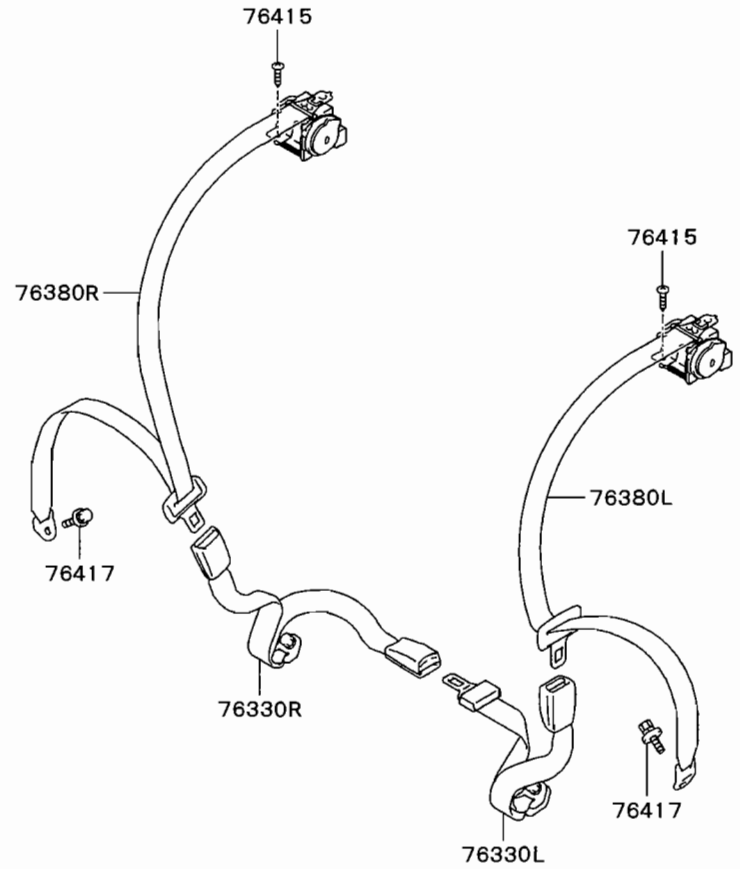
# 53 -410 SEAT BELT

CS6A:FRONT



D00020A

CS6A:REAR

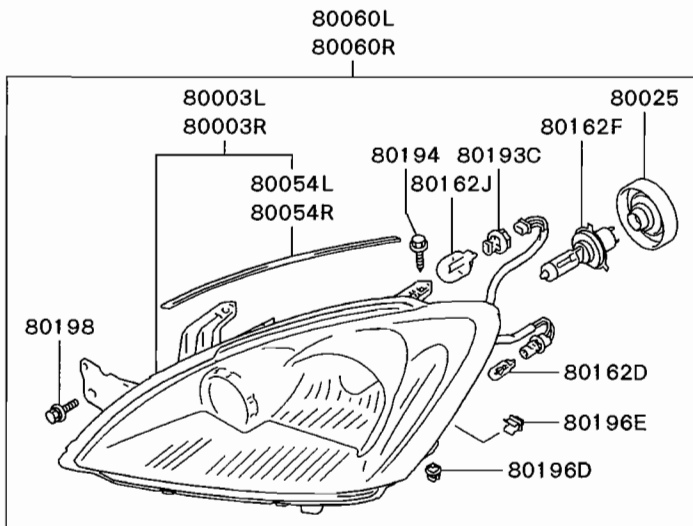


D00021B

53 -410 SEAT BELT

P N C		MODEL APPLICABLE		QTY	REMARKS	P N C		MODEL APPLICABLE		QTY	REMARKS	
FROM-UP TO	TYPE	DESCRIPTION	PART NO. (REPL P/NO.)			FROM-UP TO	TYPE	DESCRIPTION	PART NO. (REPL P/NO.)			
<b>75701L</b>		ADJUST,FR SEAT BELT ANCHOR,LH					<b>76330R</b>		SEAT BELT,RR SEAT,INR RH			
0512-1-0804-3	CS6A	SNDRDW	<b>MR606848</b>	1	L-BEIGE INT:62F		0805-1-	CS6A	SNDRDW SNDRDW2	<b>MR647099</b>	1	BUCKLE X 2,BEIGE INT:41Y, 42Y CTR BUCKLE 180MM
0512-1-	CS6A	SNJERDW	<b>MR606847</b>	1	L-GRAY INT:40X,63P							
0805-1-	CS6A	SNDRDW SNDRDW2	<b>MR606848</b>	1	L-BEIGE INT:41Y,42Y		<b>76380L</b>		SEAT BELT,RR SEAT,OTR LH			
<b>75701R</b>		ADJUST,FR SEAT BELT ANCHOR,RH					0512-1-0804-3	CS6A	SNDRDW	<b>MN151565YA</b>	1	3POINT,BEIGE INT:62F
0512-1-0804-3	CS6A	SNDRDW	<b>MR606848</b>	1	L-BEIGE INT:62F		0512-1-	CS6A	SNJERDW	<b>MN151565HB</b>	1	3POINT,D-GRAY INT:40X,63P
0512-1-	CS6A	SNJERDW	<b>MR606847</b>	1	L-GRAY INT:40X,63P		0805-1-	CS6A	SNDRDW SNDRDW2	<b>MN151565YA</b>	1	3POINT,BEIGE INT:41Y,42Y
0805-1-	CS6A	SNDRDW SNDRDW2	<b>MR606848</b>	1	L-BEIGE INT:41Y,42Y		<b>76380R</b>		SEAT BELT,RR SEAT,OTR RH			
<b>75703</b>		BOLT,FR SEAT BELT					0512-1-0804-3	CS6A	SNDRDW	<b>MN151565YA</b>	1	3POINT,BEIGE INT:62F
0512-1-	ALL		<b>MB268795</b>	2	WASHER ASSEMBLED,7/16X25		0512-1-	CS6A	SNJERDW	<b>MN151565HB</b>	1	3POINT,D-GRAY INT:40X,63P
<b>75717</b>		COVER,FR SEAT BELT SASH GUIDE					0805-1-	CS6A	SNDRDW SNDRDW2	<b>MN151565YA</b>	1	3POINT,BEIGE INT:41Y,42Y
0512-1-0804-3	CS6A	SNDRDW	<b>MR395974</b>	2	L-BEIGE INT:62F		<b>76415</b>		SCREW,RR SEAT BELT			
0512-1-	CS6A	SNJERDW	<b>MR395973</b>	2	L-GRAY INT:40X,63P		0512-1-	ALL		<b>MF453031</b>	2	TAPPING,5X12
0805-1-	CS6A	SNDRDW SNDRDW2	<b>MR395974</b>	2	L-BEIGE INT:41Y,42Y		<b>76417</b>		BOLT,RR SEAT BELT			
<b>75743L</b>		SEAT BELT,FR SEAT,INR LH					0512-1-	ALL		<b>MB268795</b>	4	WASHER ASSEMBLED,7/16X25
0512-1-0804-3	CS6A	SNDRDW	<b>MR647090</b>	1	BEIGE INT:62F							
0512-1-	CS6A	SNJERDW	<b>MR610574</b>	1	D-GRAY INT:40X,63P							
0805-1-	CS6A	SNDRDW SNDRDW2	<b>MR647090</b>	1	BEIGE INT:41Y,42Y							
<b>75743R</b>		SEAT BELT,FR SEAT,INR RH										
0512-1-0804-3	CS6A	SNDRDW	<b>MR647090</b>	1	BEIGE INT:62F							
0512-1-	CS6A	SNJERDW	<b>MR610574</b>	1	D-GRAY INT:40X,63P							
0805-1-	CS6A	SNDRDW SNDRDW2	<b>MR647090</b>	1	BEIGE INT:41Y,42Y							
<b>75765L</b>		SEAT BELT,FR SEAT PRE-TENSIONER,OTR LH										
0512-1-0804-3	CS6A	SNDRDW	<b>MN134963YA</b>	1	BEIGE INT:62F							
0512-1-	CS6A	SNJERDW	<b>MN134963HA</b>	1	D-GRAY INT:40X,63P							
0805-1-	CS6A	SNDRDW SNDRDW2	<b>MN134963YA</b>	1	BEIGE INT:41Y,42Y							
<b>75765R</b>		SEAT BELT,FR SEAT PRE-TENSIONER,OTR RH										
0512-1-0804-3	CS6A	SNDRDW	<b>MN134964YA</b>	1	BEIGE INT:62F							
0512-1-	CS6A	SNJERDW	<b>MN134964HA</b>	1	D-GRAY INT:40X,63P							
0805-1-	CS6A	SNDRDW SNDRDW2	<b>MN134964YA</b>	1	BEIGE INT:41Y,42Y							
<b>75793</b>		SCREW,FR SEAT BELT										
0512-1-	ALL		<b>MS240141</b>	2	WASHER ASSEMBLED,6X16 COLORED							
<b>76330L</b>		SEAT BELT,RR SEAT,INR LH										
0512-1-0804-3	CS6A	SNDRDW	<b>MR647097</b>	1	BUCKLE X1,TONGUE X1,BEIGE INT:62F B UCKLE 180MM							
0512-1-	CS6A	SNJERDW	<b>MR627232</b>	1	BUCKLE X1,TONGUE X1, D-GRAY INT:40X,63P BUCKLE 180MM							
0805-1-	CS6A	SNDRDW SNDRDW2	<b>MR647097</b>	1	BUCKLE X1,TONGUE X1,BEIGE INT:41Y,42Y BUCKLE 180MM							
<b>76330R</b>		SEAT BELT,RR SEAT,INR RH										
0512-1-0804-3	CS6A	SNDRDW	<b>MR647099</b>	1	BUCKLE X 2,BEIGE INT:62F CTR BUCKLE 180MM							
0512-1-	CS6A	SNJERDW	<b>MR627241</b>	1	BUCKLE X 2,D-GRAY INT:40X, 63P CTR B UCKLE 180MM							

54 -010 HEADLAMP

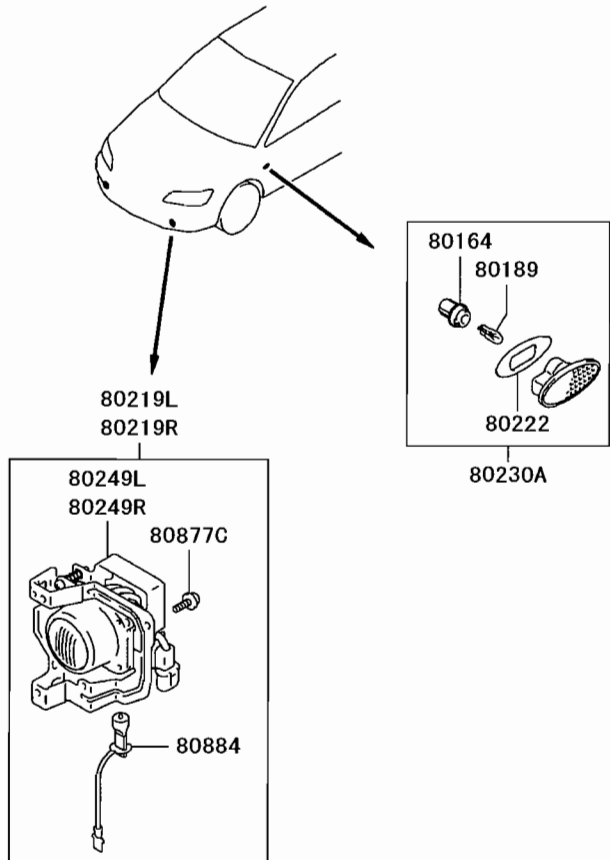


D00046

P N C	MODEL APPLICABLE		P	PART NO. (REPL. P/NO.)	Q Y	REMARKS
	FROM/UP TO	TYPE				
<b>80003L</b>						
0512-1-0804-3	CS6A	SNDRDW		<b>MN175801</b>	1	
0512-1-	CS6A	SNJERDW		<b>MN175807</b>	1	
0805-1-	CS6A	SNDRDW SNDRDW2		<b>MN175801</b>	1	
<b>80003R</b>						
0512-1-0804-3	CS6A	SNDRDW		<b>MN175802</b>	1	
0512-1-	CS6A	SNJERDW		<b>MN175808</b>	1	
0805-1-	CS6A	SNDRDW SNDRDW2		<b>MN175802</b>	1	
<b>80025</b>						
0512-1-	ALL	COVER, HEADLAMP BULB SOCKET		<b>MR275296</b>	2	
<b>80054L</b>						
0512-1-	ALL	SEAL, HEADLAMP, LH		<b>MN159165</b>	1	
<b>80054R</b>						
0512-1-	ALL	SEAL, HEADLAMP, RH		<b>MN159166</b>	1	
<b>80060L</b>						
0512-1-0804-3	CS6A	SNDRDW		<b>MN161669</b>	1	12V-60/55W, 21W, 5W HALOGEN
0512-1-	CS6A	SNJERDW		<b>MN161671</b>	1	12V-60/55W, 21W, 5W HALOGEN
0805-1-	CS6A	SNDRDW SNDRDW2		<b>MN161669</b>	1	12V-60/55W, 21W, 5W HALOGEN
<b>80060R</b>						
0512-1-0804-3	CS6A	SNDRDW		<b>MN161670</b>	1	12V-60/55W, 21W, 5W HALOGEN
0512-1-	CS6A	SNJERDW		<b>MN161672</b>	1	12V-60/55W, 21W, 5W HALOGEN
0805-1-	CS6A	SNDRDW SNDRDW2		<b>MN161670</b>	1	12V-60/55W, 21W, 5W HALOGEN
<b>80162D</b>						
0512-1-	ALL	BULB, HEADLAMP		<b>MS820090</b>	2	BEAD, CLEAR, 12V-5W
<b>80162F</b>						
0512-1-	ALL	BULB, HEADLAMP		<b>MS820968</b>	2	12V-60/55W, H4(HB2) HALOGEN
<b>80162J</b>						
0512-1-	ALL	BULB, HEADLAMP		<b>MS820026</b>	2	12V-21W
<b>80193C</b>						
0512-1-	ALL	SOCKET, HEADLAMP		<b>MU000230</b>	2	
<b>80194</b>						
0512-1-0801-3	ALL	SCREW, HEADLAMP		<b>MU000716</b>	2	TAPPING, 6X20
0802-1-	ALL			<b>MS450973</b>	2	WASHER ASSEMBLED, 6X20
<b>80196D</b>						
0512-1-	ALL	GROMMET, HEADLAMP		<b>MR393386</b>	2	6
<b>80196E</b>						
0512-1-0801-3	ALL	GROMMET, HEADLAMP		<b>MR361004</b>	2	
0802-1-	ALL			<b>MN167828</b>	2	
<b>80198</b>						
0512-1-	ALL	BOLT, HEADLAMP		<b>MS241187</b>	4	WASHER ASSEMBLED, 6X20



# 54 -030 FRONT EXTERIOR LAMP

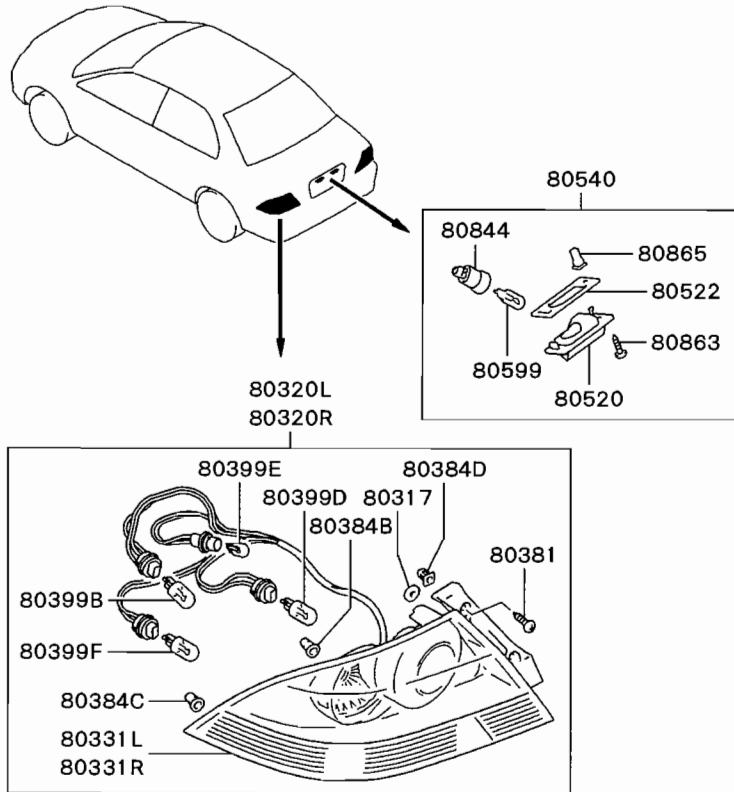


000065

P N C	MODEL APPLICABLE		P	PART NO. (REPL. P/NO.)	Q	REMARKS
	FROM-UP TO	TYPE				
<b>80164</b> 0512-1-						
				<b>MU805818</b>	2	
<b>80189</b> 0512-1-						
				<b>MS820077</b>	2	AMBER,12V-5W
<b>80219L</b> 0805-1-						
				<b>MN161021</b>	1	12V-55W HALOGEN
<b>80219R</b> 0805-1-						
				<b>MN161022</b>	1	12V-55W HALOGEN
<b>80222</b> 0512-1-						
				<b>MN126007</b>	2	
<b>80230A</b> 0512-1-						
				<b>MR991187</b>	2	12V-5W
<b>80249L</b> 0805-1-						
				<b>MN154901</b>	1	
<b>80249R</b> 0805-1-						
				<b>MN154902</b>	1	
<b>80877C</b> 0805-1-						
				<b>MB409437</b>	6	TAPPING,5X12
<b>80884</b> 0805-1-						
				<b>MS820964</b>	2	12V-55W,H3 HALOGEN

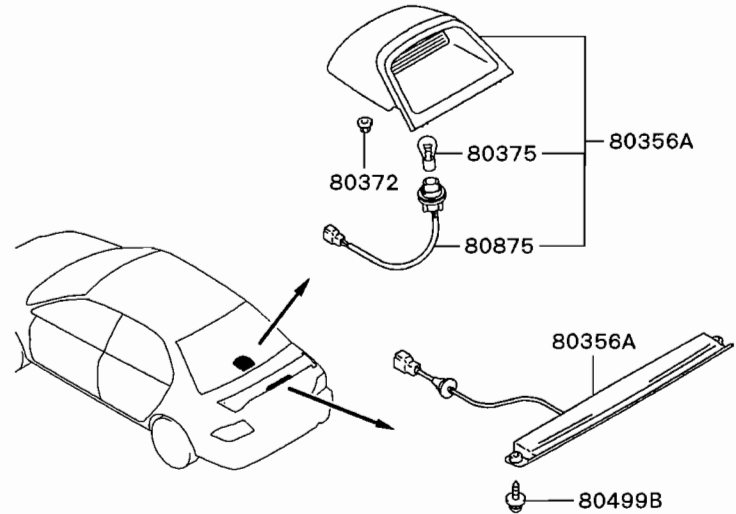
# 54 -110 REAR EXTERIOR LAMP

CS6A:REAR COMBINATION,LICENSE PLATE LAMP



D00095C

CS6A:HIGH MOUNTED STOP LAMP

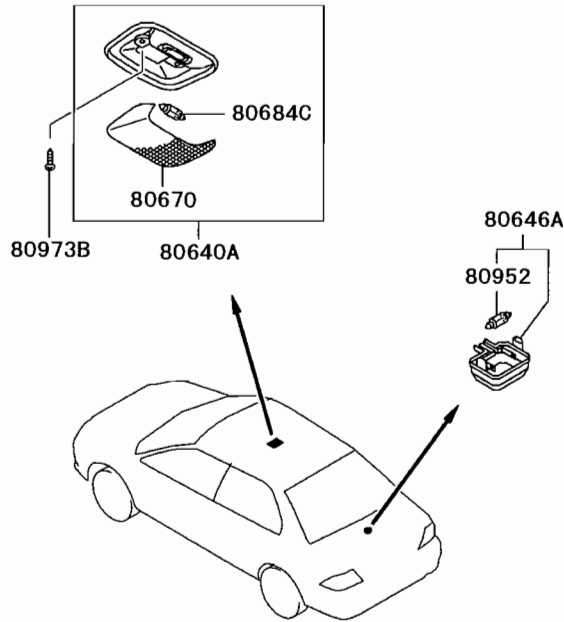


D00015B

54 -110 REAR EXTERIOR LAMP

P N C		MODEL APPLICABLE		QTY	REMARKS	P N C		MODEL APPLICABLE		QTY	REMARKS
FROM-UP TO	TYPE	DESCRIPTION	PART NO. (REPL P/NO.)			FROM-UP TO	TYPE	DESCRIPTION	PART NO. (REPL P/NO.)		
<b>80317</b>		GASKET,RR COMBINATION LAMP				<b>80520</b>		LAMP UNIT,LICENSE PLATE			
0512-1-		ALL	<b>MR583461</b>	2		0512-1-		ALL	<b>MR322869</b>	2	
<b>80320L</b>		LAMP KIT,COMBINATION,RR LH				<b>80522</b>		GASKET,LICENSE PLATE LAMP BASE			
0512-1-0804-3	CS6A	SNJERDW	<b>MN161195</b>	1	12V-21/5W,21W,16W(18W),5W	0512-1-		ALL	<b>MR300009</b>	2	
0512-1-0804-3	CS6A	SNJERDW	<b>MN161197</b>	1	12V-21/5W,21W,16W(18W),5W	<b>80540</b>		LAMP KIT,LICENSE PLATE			
0805-1-	CS6A	ALL	<b>MN161197</b>	1	12V-21/5W,21W,16W(18W),5W	0512-1-		ALL	<b>MR485699</b>	2	12V-5W
<b>80320R</b>		LAMP KIT,COMBINATION,RR RH				<b>80599</b>		BULB,LICENSE PLATE LAMP			
0512-1-0804-3	CS6A	SNJERDW	<b>MN161196</b>	1	12V-21/5W,21W,16W(18W),5W	0512-1-		ALL	<b>MS820090</b>	2	12V-5W
0512-1-0804-3	CS6A	SNJERDW	<b>MN161198</b>	1	12V-21/5W,21W,16W(18W),5W	<b>80844</b>		SOCKET,LICENSE PLATE LAMP			
0805-1-	CS6A	ALL	<b>MN161198</b>	1	12V-21/5W,21W,16W(18W),5W	0512-1-		ALL	<b>MU805818</b>	2	
<b>80331L</b>		LAMP UNIT,COMBINATION,RR LH				<b>80863</b>		SCREW,LICENSE PLATE LAMP			
0512-1-0804-3	CS6A	SNJERDW	<b>MN169703</b>	1		0512-1-		ALL	<b>MR221703</b>	2	TAPPING,4X14
0512-1-0804-3	CS6A	SNJERDW	<b>MN169705</b>	1		<b>80865</b>		GROMMET,LICENSE PLATE LAMP			
0805-1-	CS6A	ALL	<b>MN169705</b>	1		0512-1-		ALL	<b>MB106212</b>	2	4
<b>80331R</b>		LAMP UNIT,COMBINATION,RR RH				<b>80875</b>		SOCKET,STOP LAMP	<b>(MB132008)</b>		
0512-1-0804-3	CS6A	SNJERDW	<b>MN169704</b>	1		0512-1-0804-3	CS6A	SNJERDW	<b>MN169707</b>	1	
0512-1-0804-3	CS6A	SNJERDW	<b>MN169706</b>	1		0805-1-	CS6A	SNJERDW SNJERDW2	<b>MN169707</b>	1	
0805-1-	CS6A	ALL	<b>MN169706</b>	1							
<b>80356A</b>		LAMP ASSY,HIGH MOUNTED STOP									
0512-1-0804-3	CS6A	SNJERDW	<b>MN126920YA</b>	1	BEIGE,12V-21W INT.62F						
0512-1-	CS6A	SNJERDW	<b>MR522039</b>	1	LED						
0805-1-	CS6A	SNJERDW SNJERDW2	<b>MN126920YA</b>	1	BEIGE,12V-21W INT.41Y,42Y						
<b>80372</b>		NUT,STOP LAMP									
0512-1-		ALL	<b>MS440502</b>	2	WASHER ASSEMBLED,6 WASHER(14)						
<b>80375</b>		BULB,STOP LAMP									
0512-1-0804-3	CS6A	SNJERDW	<b>MS820026</b>	1	12V-21W						
0805-1-	CS6A	SNJERDW SNJERDW2	<b>MS820026</b>	1	12V-21W						
<b>80381</b>		SCREW,TAIL LAMP									
0512-1-		ALL	<b>MF453273</b>	4	TAPPING,5X16						
<b>80384B</b>		GROMMET,TAIL LAMP									
0512-1-		ALL	<b>MR551466</b>	2							
<b>80384C</b>		GROMMET,TAIL LAMP									
0512-1-		ALL	<b>MU810528</b>	2							
<b>80384D</b>		GROMMET,TAIL LAMP									
0512-1-		ALL	<b>MU480022</b>	4	5						
<b>80399B</b>		BULB,TAIL LAMP									
0512-1-		ALL	<b>MS820027</b>	2	12V-21/5W						
<b>80399D</b>		BULB,TAIL LAMP									
0512-1-		ALL	<b>MS820078</b>	2	12V-16W(W16W) - 18W(921)						
<b>80399E</b>		BULB,TAIL LAMP									
0512-1-		ALL	<b>MS820090</b>	2	BEAD-CLEAR,12V-5W						
<b>80399F</b>		BULB,TAIL LAMP									
0512-1-		ALL	<b>MS820050</b>	2	AMBER,12V-21W						
<b>80499B</b>		SCREW,STOP LAMP									
0512-1-		ALL	<b>MF350768</b>	2	WASHER ASSEMBLED,5X12						

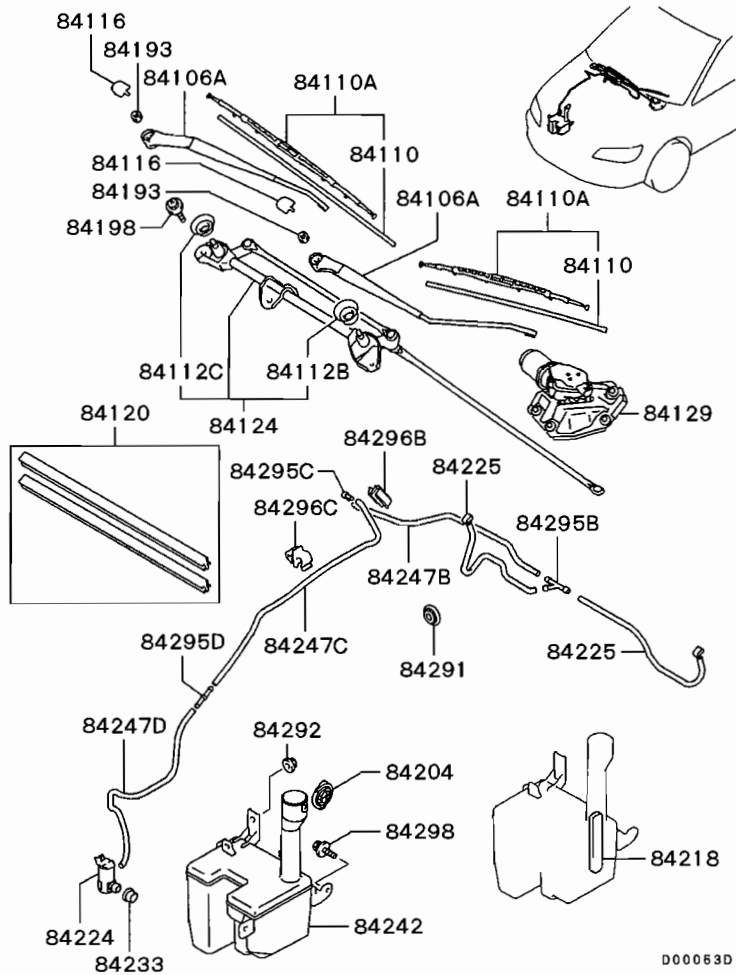
# 54 -150 ROOM LAMP



D00084

P N C	MODEL APPLICABLE		P	PART NO. (REPL. P/NO.)	Q	REMARKS
	FROM-UP TO	TYPE				
<b>80640A</b>						
0512-1-0804-3	CS6A	SNJERDW		<b>MR761811</b>	1	L-BEIGE,12V-8W INT:62F
0512-1-	CS6A	SNJERDW		<b>MR748283</b>	1	L-GRAY,12V-8W INT:40X,63P
0805-1-	CS6A	SNJERDW SNJERDW2		<b>MR761811</b>	1	L-BEIGE,12V-8W INT:41Y,42Y
<b>80646A</b>						
0512-1-				<b>MB529091</b>	1	12V-5W
<b>80670</b>						
0512-1-				<b>MR250712</b>	1	
<b>80684C</b>						
0512-1-				<b>MF820513</b>	1	12V-8W
<b>80952</b>						
0512-1-				<b>MS820071</b>	1	12V-5W
<b>80973B</b>						
0512-1-				<b>MF453152</b>	2	TAPPING,5X14

## 54 -220 WINDSHIELD WIPER & WASHER



D00063D

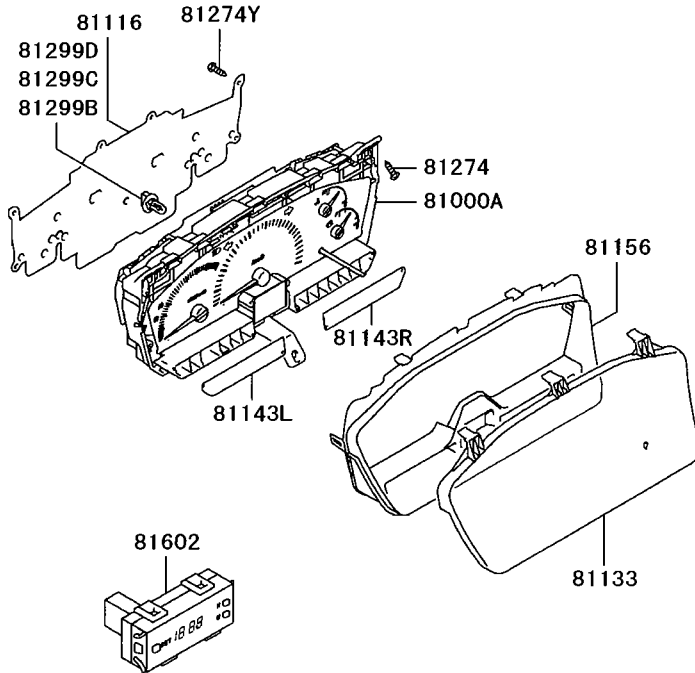
P N C	MODEL APPLICABLE		P	PART NO. (REPL. P/NO.)	Q	REMARKS
	FROM/UP TO	TYPE				
<b>84106A</b>						
0512-1-				<b>MR598372</b>	1	BLACK,DRIVER
ALL				<b>MN159404</b>	1	BLACK,PASS.
0512-1-						
<b>84110</b>						
0512-1-			Y	<b>MR300304</b> ( <b>MR275300</b> )	1	450
ALL				<b>MR574655</b>	1	600
0512-1-						
<b>84110A</b>						
0512-1-				<b>MR574652</b>	1	BLACK,450
ALL				<b>MR574653</b>	1	BLACK,600
0512-1-						
<b>84112B</b>						
0512-1-				<b>MN154877</b>	1	
ALL						
<b>84112C</b>						
0512-1-				<b>MN154878</b>	1	
ALL						
<b>84116</b>						
0512-1-				<b>MB881494</b>	2	BLACK
ALL						
<b>84120</b>						
0512-1-				<b>MR592314</b>	1	
ALL						
<b>84124</b>						
0512-1-				<b>MR522062</b>	1	
ALL						
<b>84129</b>						
0512-1-				<b>MR522055</b>	1	
ALL						
<b>84193</b>						
0512-1-				<b>MF430726</b>	2	JAM.10
ALL						
<b>84198</b>						
0512-1-				<b>MS240199</b>	4	WASHER ASSEMBLED.6X20 COLORED
ALL						
<b>84204</b>						
0512-1-				<b>MR192438</b>	1	
ALL						
<b>84218</b>						
0512-1-				<b>MR570439</b>	1	
ALL						
<b>84224</b>						
0512-1-				<b>MB286961</b>	1	
ALL						
<b>84225</b>						
0512-1-				<b>MN169828</b>	2	
ALL						
<b>84233</b>						
0512-1-			O	<b>MB617937</b> ( <b>MC845482</b> )	1	
ALL						
<b>84242</b>						
0512-1-				<b>MR570436</b>	1	
ALL						
<b>84247B</b>						
0512-1-				<b>MB084759</b>	1	SIR 4X2000 (RUBBER, 4X7X750)
ALL						
<b>84247C</b>						
0512-1-				<b>MB084759</b>	1	SIR 4X2000 (RUBBER, 4X7X1070)
ALL						

## 54 -220 WINDSHIELD WIPER &amp; WASHER

P N C	MODEL APPLICABLE	Q T Y	REMARKS
FROM-UP TO	TYPE DESCRIPTION		
<b>84247D</b> 0512-1-	TUBE,WINDSHIELD WASHER MOTOR SIDE ALL	<b>MR570438</b>	1 SOFT VINYL,4X7X550
<b>84291</b> 0512-1-	PLUG,WINDSHIELD WASHER ALL	<b>MU670023</b>	1 RUBBER,20
<b>84292</b> 0512-1-	NUT,WINDSHIELD WASHER ALL	<b>MU431508</b>	1 8
<b>84295B</b> 0512-1-	JOINT,WINDSHIELD WASHER ALL	<b>MB084419</b>	1 3-JOINT
<b>84295C</b> 0512-1-	JOINT,WINDSHIELD WASHER ALL	<b>MB330645</b>	1 L-TYPE
<b>84295D</b> 0512-1-	JOINT,WINDSHIELD WASHER ALL	<b>MB083730</b>	1 I-TYPE,NATURAL
<b>84296B</b> 0512-1-	CLIP,WINDSHIELD WASHER ALL	<b>MU484003</b>	1 7
<b>84296C</b> 0512-1-	CLIP,WINDSHIELD WASHER ALL	<b>MU481043</b>	3 7
<b>84298</b> 0512-1-	BOLT,WINDSHIELD WASHER ALL	<b>MS240125</b>	2 WASHER ASSEMBLED,8X20

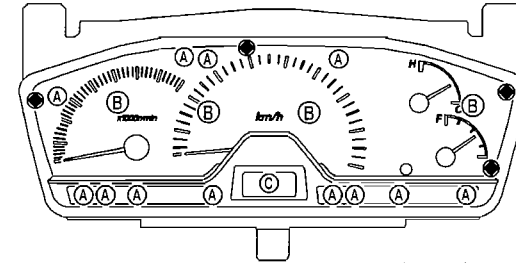
# 54 -310 METER,GAUGE & CLOCK

CS6A:COMBINATION METER



000202

CS6A:BULB,SCREW INSTALLATION TABLE



(TACHOMETER) (SPEEDOMETER) (TEMP)  
(FUEL)

MARK	P	N	C	PART NAME	INDICATOR LAMP NAME
(A)	81299B	BULB (W/SOCKET)			TURN SIGNAL LAMPS (L/R) & WARNING LAMPS
(B)	81299C	BULB (W/SOCKET)			SPEEDOMETER, FUEL GAUGE & TEMPERATURE GAUGE
(C)	81299D	BULB (W/SOCKET)			LCD

MARK	P	N	C	PART NAME	ATTACHING PARTS NAME
●	81274Y	SCREW			COVER

000203

54 -310 METER,GAUGE & CLOCK

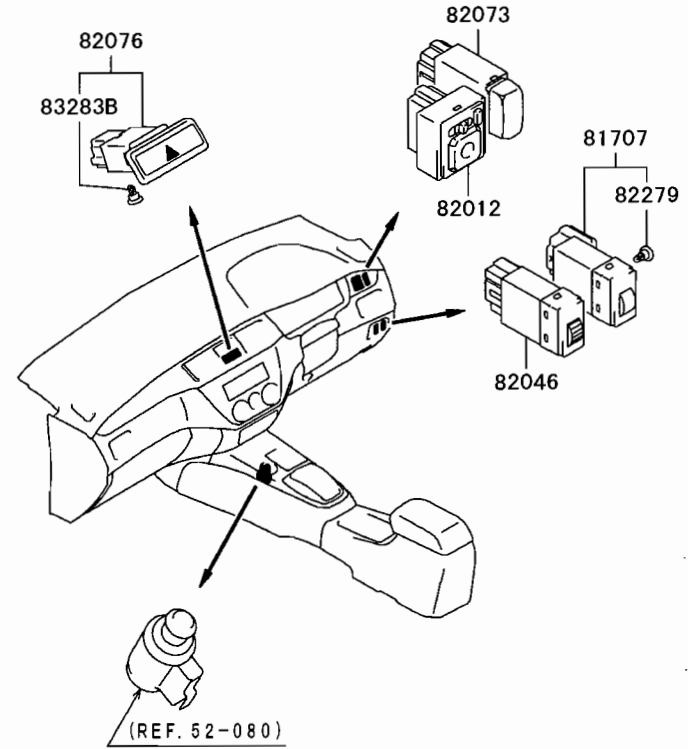
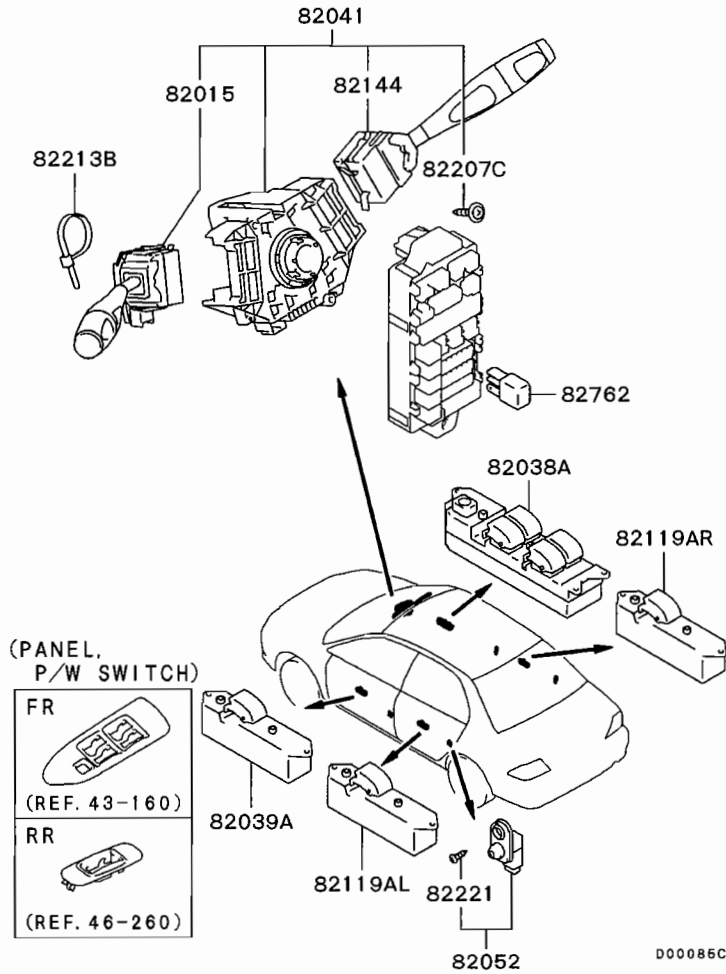
P N C	MODEL APPLICABLE	B	PART NO.	Q	REMARKS
FROM-UP TO	TYPE DESCRIPTION	B	(REPL P/NO.)	Y	
<b>81000A</b> 0512-1-	METER ASSY,COMBINATION ALL		<b>MR962850</b>	1	WITH CASE
<b>81116</b> 0512-1-	COVER,COMBINATION METER HOOD ALL		<b>MR550502</b>	1	
<b>81133</b> 0512-1-	GLASS,COMBINATION METER ALL		<b>MR550508</b>	1	
<b>81143L</b> 0512-1-	LENS,COMBINATION METER INDICATOR,LH ALL		<b>MR550503</b>	1	
<b>81143R</b> 0512-1-	LENS,COMBINATION METER INDICATOR,RH ALL		<b>MR550504</b>	1	
<b>81156</b> 0512-1-	PLATE,COMBINATION METER WINDOW ALL		<b>MR550507</b>	1	
<b>81274</b> 0512-1-	SCREW,INSTRUMENT PANEL METER ALL		<b>MF453033</b>	3	TAPPING.5X16
<b>81274Y</b> 0512-1-	SCREW,INSTRUMENT PANEL METER ALL		<b>MR366428</b>	4	
<b>81299B</b> 0512-1-	BULB,INSTRUMENT PANEL METER ALL		<b>MR444536</b>	12	14V-1.12W
<b>81299C</b> 0512-1-	BULB,INSTRUMENT PANEL METER ALL		<b>MR444537</b>	4	14V-3W BLUE CAP
<b>81299D</b> 0512-1-	BULB,INSTRUMENT PANEL METER ALL		<b>MR572562</b>	1	14V-1.12W BLUE CAP
<b>81602</b> 0512-1-	CLOCK,DIGITAL ALL		<b>MR962799</b>	1	



# 54 -420 SWITCH & CIGAR LIGHTER

CS6A:SWITCH..COLUMN,POWER WINDOW,DOOR LAMP

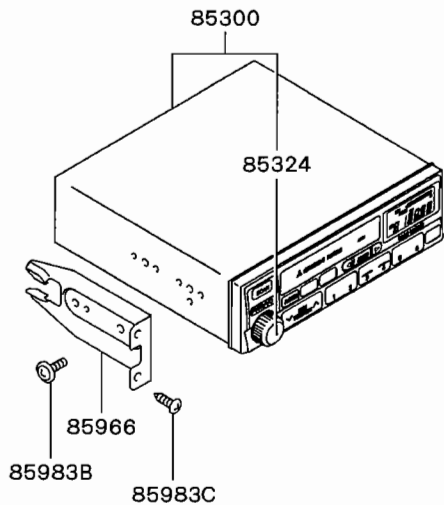
CS6A:SWITCH..AROUND INSTRUMENT PANEL



54 -420 SWITCH & CIGAR LIGHTER

P N C	MODEL APPLICABLE	PART	PART NO.	Q	REMARKS
FROM/UP TO	TYPE DESCRIPTION		(REPL P/NO.)	↓	
<b>81707</b> 0512-1-	RHEOSTAT,INSTRUMENT PANEL ALL		<b>MR190954</b>	1	
<b>82012</b> 0512-1-	SWITCH,REMOTE CONTROL MIRROR ALL		<b>MR417977</b>	1	
<b>82015</b> 0512-1-	SWITCH,WINDSHIELD WIPER & WINDSHIELD WASHER ALL		<b>8612A010</b>	1	
<b>82038A</b> 0512-1-	SWITCH ASSY,FR DOOR POWER WINDOW DRIVER SIDE ALL		<b>MR587941</b>	1	
<b>82039A</b> 0512-1-	SWITCH ASSY,FR DOOR POWER WINDOW ASSISTANT SIDE ALL		<b>MR587944</b>	1	
<b>82041</b> 0512-1-	SWITCH,STEERING COLUMN ALL		<b>MN134575</b>	1	
<b>82046</b> 0512-1-	SWITCH,HEADLAMP LEVELING ALL		<b>MR506482</b>	1	
<b>82052</b> 0512-1-	SWITCH,DOOR LAMP ALL		<b>MR342155</b>	4	
<b>82073</b> 0805-1-	SWITCH,FR FOG LAMP CS&A SNJERDW		<b>MR190951</b>	1	
<b>82076</b> 0512-1-	SWITCH,HAZARD WARNING LAMP ALL		<b>MR406456</b>	1	W/O NAVI
<b>82119AL</b> 0512-1-	SWITCH ASSY,RR DOOR POWER WINDOW,LH ALL		<b>MR587944</b>	1	
<b>82119AR</b> 0512-1-	SWITCH ASSY,RR DOOR POWER WINDOW,RH ALL		<b>MR587944</b>	1	
<b>82144</b> 0512-1-	SWITCH,TURN SIGNAL LAMP & LIGHTING ALL		<b>8614A002</b>	1	
<b>82207C</b> 0512-1-	SCREW,STEERING COLUMN SWITCH ALL		<b>MS350047</b>	1	WASHER ASSEMBLED,5X25 COLORED
<b>82213B</b> 0512-1-	BAND,STEERING COLUMN SWITCH ALL		<b>MB249338</b>	1	L=129.5 BLACK
<b>82221</b> 0512-1-	SCREW,DOOR LAMP SWITCH ALL		<b>MB383490</b>	4	TAPPING.5X14
<b>82279</b> 0512-1-	BULB,INSTRUMENT PANEL SWITCH ALL		<b>MR532433</b>	1	BLUE,12V-0.7W
<b>82762</b> 0512-1-	RELAY,POWER WINDOW ALL		<b>MR588567</b>	1	
<b>83283B</b> 0512-1-	BULB,HAZARD LAMP WIRING ALL		<b>MR572769</b>	1	BLUE,12V-0.36W

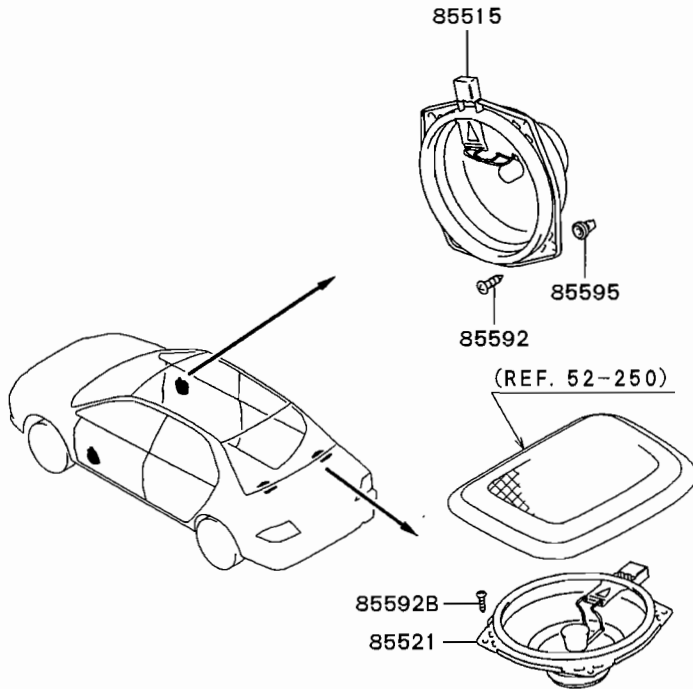
## 54 -510 RADIO & AUDIO ACCESSORIES



D00028A

P N C	MODEL APPLICABLE	P	PART NO.	Q	REMARKS
FROM-UP TO	TYPE	DESCRIPTION	(REPL. P/NO.)	Y	
<b>85300</b>		RADIO			
0512-1-		ALL	<b>MN141403</b>	1	AM/FM,ETR,CAS,1DIN
<b>85324</b>		KNOB,AUDIO EQUIP			
0512-1-		ALL	<b>MR309958</b>	1	MAIN,VOL
<b>85966</b>		BRACKET,AUDIO EQUIP			
0512-1-		ALL	<b>MR330703</b>	2	
<b>85983B</b>		SCREW,AUDIO EQUIP			
0512-1-		ALL	<b>MS200329</b>	4	MACHINE FLANGE,5X8 COLORED
<b>85983C</b>		SCREW,AUDIO EQUIP			
0512-1-		ALL	<b>MF453032</b>	4	TAPPING,5X14

# 54 -530 SPEAKER

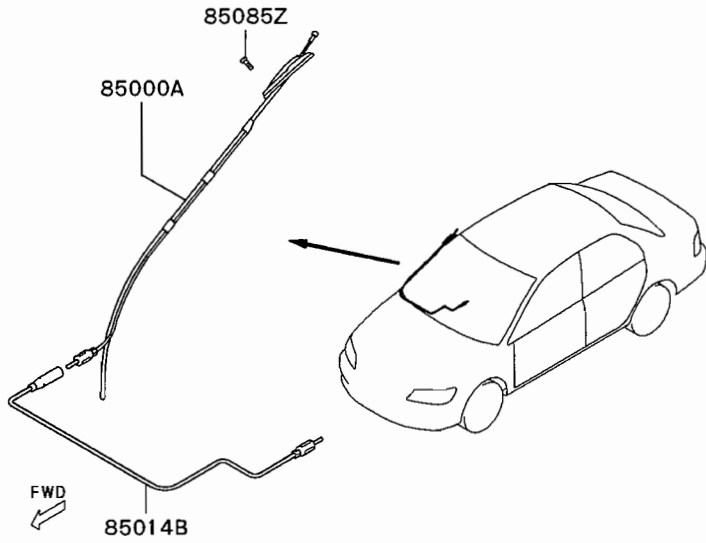


000011C

P N C	MODEL APPLICABLE		B	PART NO. (REPL P/NO.)	Q	RE MARKS
	FROM-UP TO	TYPE				
<b>85515</b>						
0512-1-0604-2	ALL					
			○	<b>MR306819</b> <b>(MR301667)</b>	2	15W,16CM
0604-3-	ALL					
<b>85521</b>						
0512-1-0604-2	ALL					
			○	<b>MR306819</b> <b>(MR301667)</b>	2	15W,16CM
0604-3-	ALL					
<b>85592</b>						
0512-1-	ALL					
<b>85592B</b>						
0512-1-	ALL					
<b>85595</b>						
0512-1-	ALL					
				<b>MF453033</b>	8	TAPPING,5X16
				<b>MB189330</b>	8	TAPPING,5X12
				<b>MU480032</b>	8	5

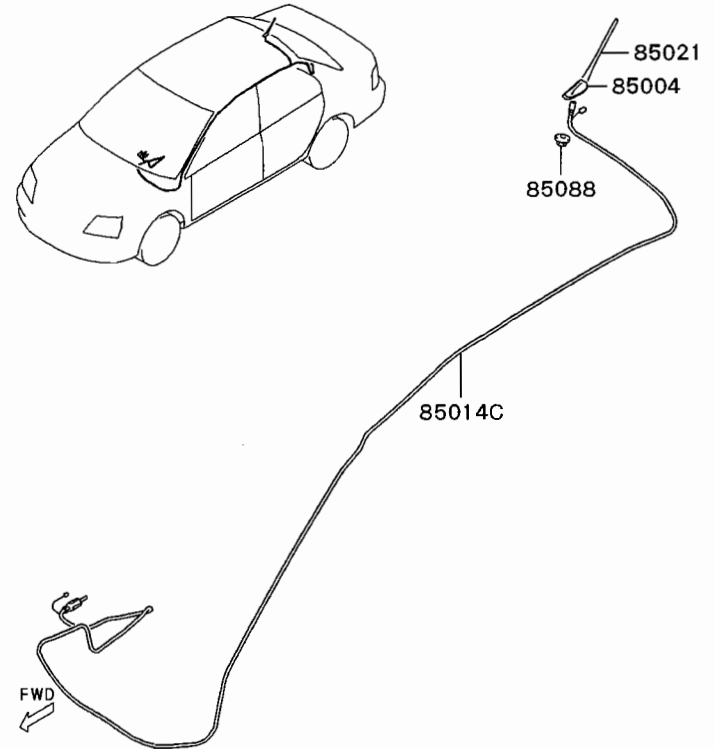
# 54 -550 ANTENNA & CONDENSER

CS6A:POLE ANTENNA



D00041A

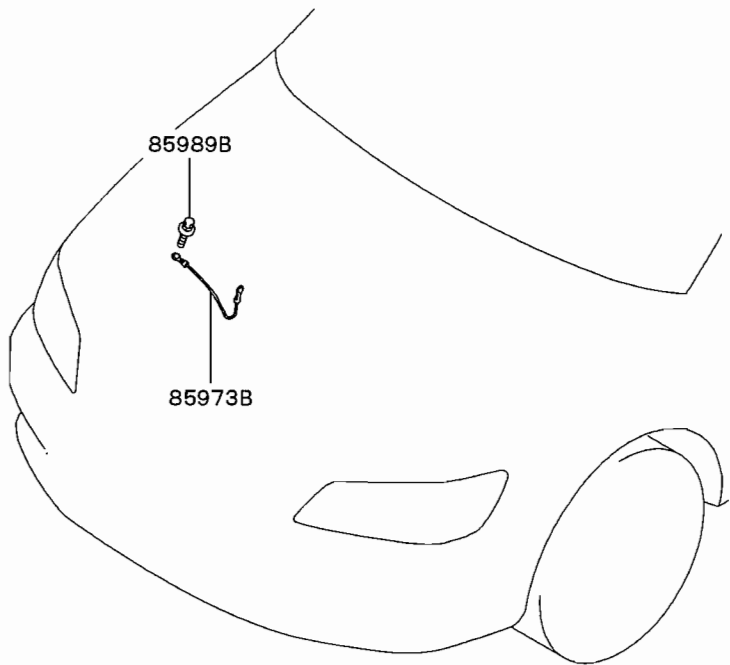
CS6A:ROOF ANTENNA



D00039A

# 54 -550 ANTENNA & CONDENSER

CS6A:CABLE

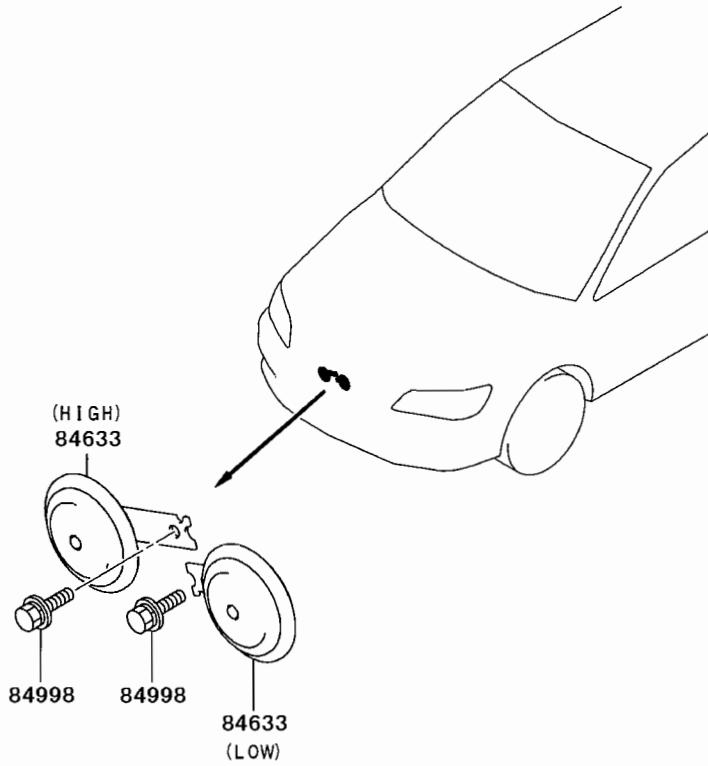


D00127

P N C	MODEL APPLICABLE		B P	PART NO. (REPL P/NO.)	Q Y	REMARKS
	FROM-UP TO	TYPE				
<b>85000A</b>						
0512-1-0804-3	CS6A	SNJERDW		<b>MR522156</b>	1	
<b>85004</b>						
0512-1-0804-3	CS6A	SNJERDW		<b>MN134979</b>	1	
0805-1-	CS6A	ALL		<b>MN134979</b>	1	
<b>85014B</b>						
0512-1-0804-3	CS6A	SNJERDW		<b>MR522159</b>	1	
<b>85014C</b>						
0512-1-0804-3	CS6A	SNJERDW		<b>MR551259</b>	1	
0805-1-	CS6A	ALL		<b>MR551259</b>	1	
<b>85021</b>						
0512-1-0512-3	CS6A	SNJERDW	Y	<b>MR973541</b> <b>(8723A130)</b>	1	
0601-1-0804-3	CS6A	SNJERDW		<b>8723A130</b>	1	
0805-1-	CS6A	ALL		<b>8723A130</b>	1	
<b>85085Z</b>						
0512-1-0605-3	ALL			<b>MN118423</b>	2	5X16
0606-1-0804-3	ALL			<b>8723A138</b>	2	5X16
<b>85088</b>						
0512-1-0804-3	CS6A	SNJERDW		<b>MR583214</b>	2	
0805-1-	CS6A	ALL		<b>MR583214</b>	2	
<b>85973B</b>						
0512-1-	ALL			<b>MR973836</b>	1	L=285
<b>85989B</b>						
0512-1-0710-3	ALL			<b>MB133273</b>	1	WASHER ASSEMBLED.6X16
0711-1-	ALL			<b>MF915000</b>	1	FLANGE.6X16

# 54 -590 HORN & BUZZER

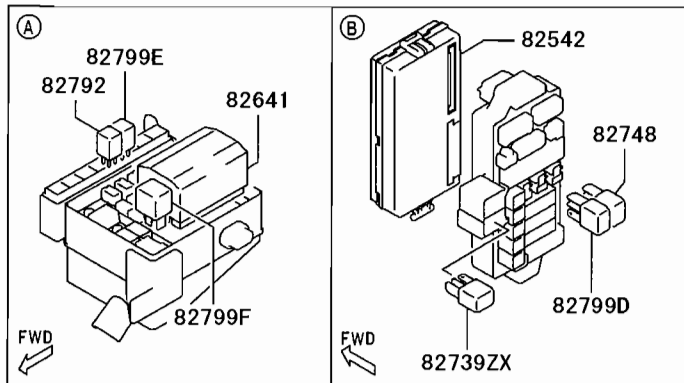
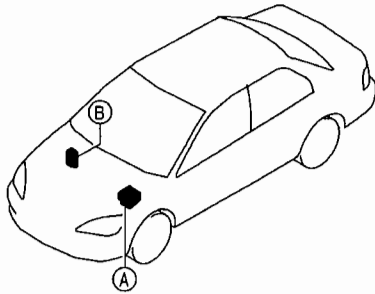
P N C	MODEL APPLICABLE	B	PART NO.	Q	RE M A R K S
FROM-UP TO	TYPE DESCRIPTION		(REPL. P/NO.)	Y	
<b>84633</b>	HORN				
0512-1-	ALL		<b>MR482424</b>	1	HIGH TONE
0512-1-	ALL		<b>MR482427</b>	1	LOW TONE
<b>84998</b>	BOLT,HORN				
0512-1-0609-3	ALL		<b>MU240147</b>	2	WASHER ASSEMBLED.8X20 EARTH
0610-1-	ALL		<b>MB133472</b>	2	WASHER ASSEMBLED.8X20 EARTH



000004

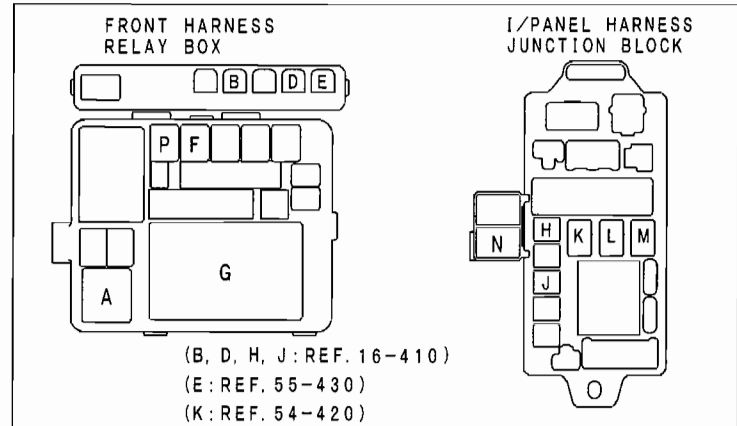
# 54 -610 RELAY,FLASHER & SENSOR

CS6A:RELAY,ETC.



D00334

CS6A:RELAY INSTALLATION TABLE



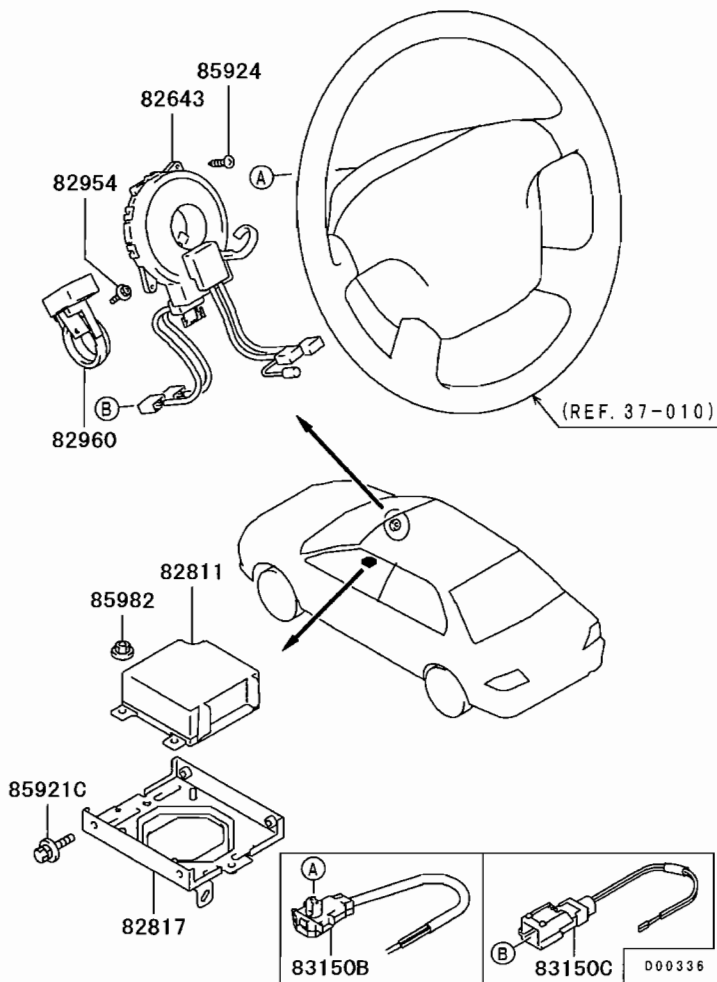
MARK	PNC	FEATURE NAME
A	82799F	RELAY, PWM
B		RELAY, ECI CONTROL
D		RELAY, ECI CONTROL
E		RELAY, A/C COMPRESSOR
F	82799E	RELAY, HORN
G	82641	RELAY, FRONT ECU
H		RELAY, FUEL PUMP
J		RELAY, FUEL PUMP
K		RELAY, POWER WINDOW
L	82799D	RELAY, HEATER
M	82748	RELAY, DEFOGGER
N	82739ZX	RELAY, ABS
P	82792	RELAY, FRONT FOG LAMP

D00335



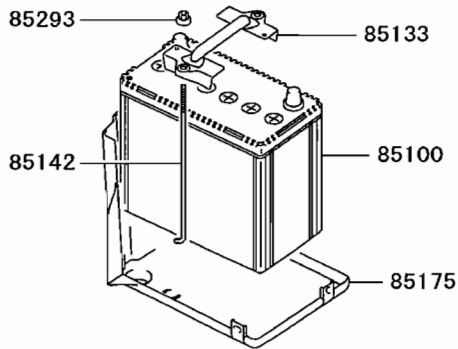
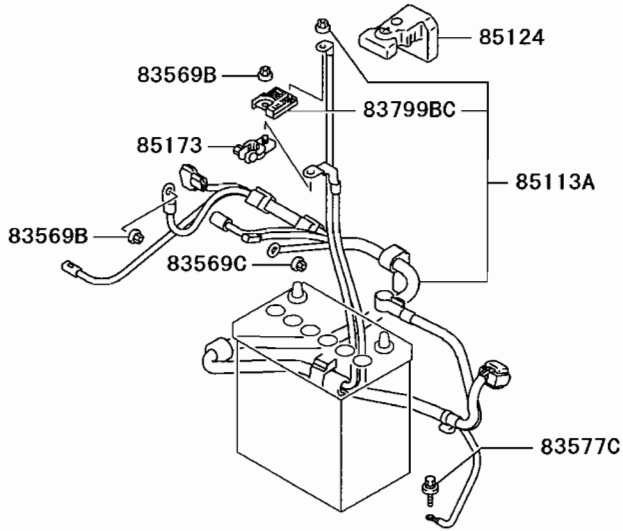
## 54 -610 RELAY,FLASHER & SENSOR

CS6A:AIR BAG CONTROL UNIT,ETC.



P N C	MODEL APPLICABLE		REPL	PART NO. (REPL P.N.O.)	Q ↓	REMARKS
	FROM-UP TO	TYPE				
<b>82542</b>						
0512-1-0608-3				Y		
0609-1-						
<b>82641</b>						
0512-1-						
<b>82643</b>						
0512-1-						
<b>82739ZX</b>						
0512-1-						
<b>82748</b>						
0512-1-						
<b>82792</b>						
0805-1-			CS6A SNJERDW			
<b>82799D</b>						
0512-1-						
<b>82799E</b>						
0512-1-						
<b>82799F</b>						
0512-1-						
<b>82811</b>						
0512-1-						
<b>82817</b>						
0512-1-						
<b>82954</b>						
0805-1-						
<b>82960</b>						
0805-1-						
<b>83150B</b>						
0512-1-						
<b>83150C</b>						
0512-1-						
<b>85921C</b>						
0512-1-						
<b>85924</b>						
0512-1-						
<b>85982</b>						
0512-1-						

## 54 -630 BATTERY CABLE & BRACKET

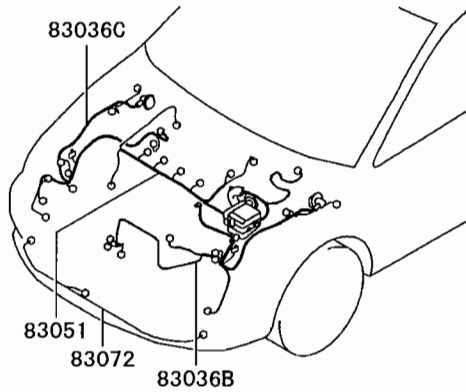


D00124

P N C	MODEL APPLICABLE		R E P	PART NO. (REPL P/NO.)	Q Y	R E M A R K S
	FROM/UP TO	TYPE				
<b>83569B</b> 0512-1-						
ALL				<b>MS440503</b>	2	WASHER ASSEMBLED.8
<b>83569C</b> 0512-1-				<b>MS440503</b>	1	WASHER ASSEMBLED.8
ALL						
<b>83577C</b> 0512-1-0710-3				<b>MB133273</b>	1	WASHER ASSEMBLED.6X16
ALL				<b>MF915000</b>	1	FLANGE.6X16
0711-1-						
ALL						
<b>83799BC</b> 0512-1-				<b>MN164188</b>	1	120A
ALL						
<b>85100</b> 0512-1-				*	1	NS 34B19L
ALL						
<b>85113A</b> 0512-1-				<b>8524A037</b>	1	
ALL						
<b>85124</b> 0512-1-				<b>MN164207</b>	1	
ALL						
<b>85133</b> 0512-1-				<b>MR238278</b>	1	131
ALL						
<b>85142</b> 0512-1-				<b>MB114053</b> ( <b>MB241245</b> )	2	6X228(235)
ALL						
<b>85173</b> 0512-1-				<b>MU000585</b>	1	
ALL						
<b>85175</b> 0512-1-				<b>MR516125</b>	1	
ALL						
<b>85293</b> 0512-1-				<b>MS440133</b>	2	FLANGE.6
ALL						

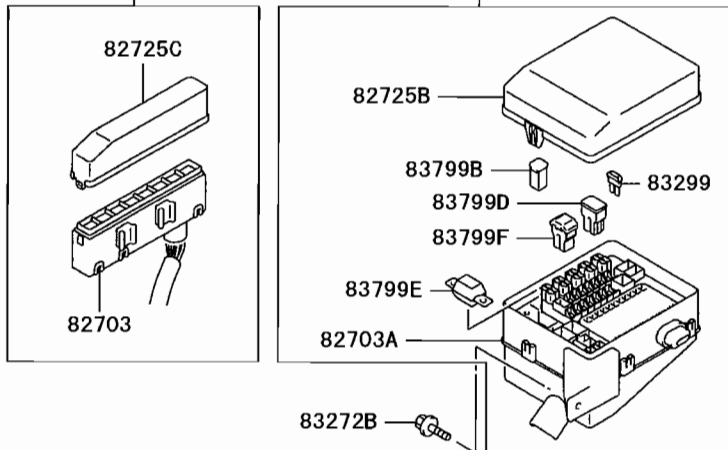
# 54 -710 WIRING & ATTACHING PARTS

CS6A:WIRING HARNESS..AROUND ENGINE ROOM



83051

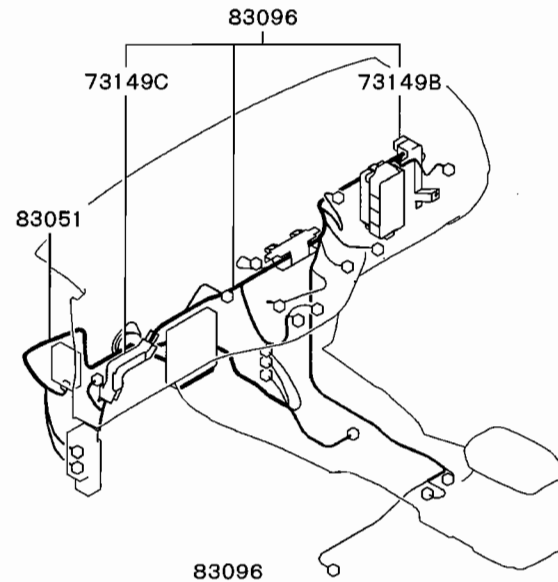
83036B



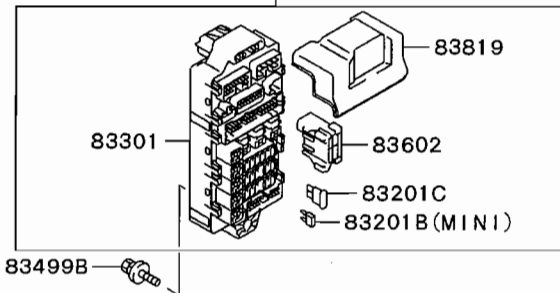
NOTE: REFER TO THE WORKSHOP MANUAL (ELECTRICAL WIRING) FOR DETAILS OF WIRING.

D01185

CS6A:WIRING HARNESS..AROUND INSTRUMENT PANEL



83096

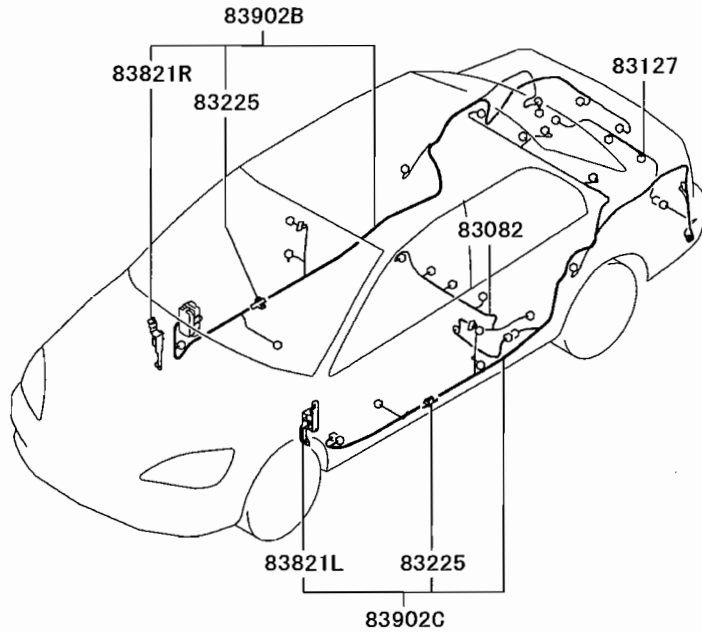


NOTE: REFER TO THE WORKSHOP MANUAL (ELECTRICAL WIRING) FOR DETAILS OF WIRING.

D01108

# 54 -710 WIRING & ATTACHING PARTS

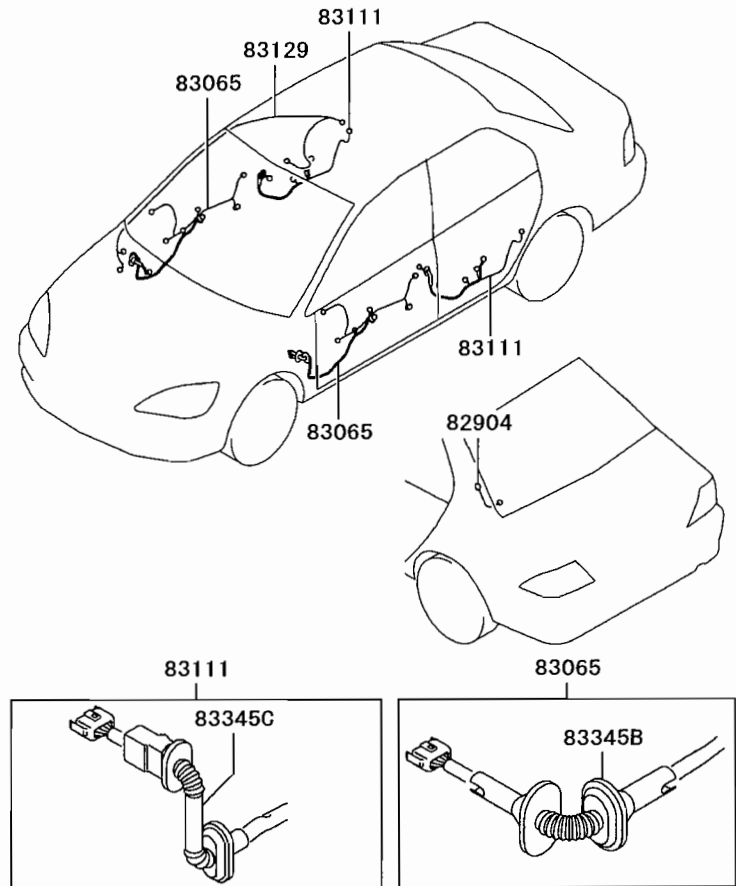
CS6A:WIRING HARNESS..AROUND FLOOR



NOTE: REFER TO THE WORKSHOP MANUAL (ELECTRICAL WIRING) FOR DETAILS OF WIRING.

D01186

CS6A:WIRING HARNESS..AROUND DOOR,ROOF

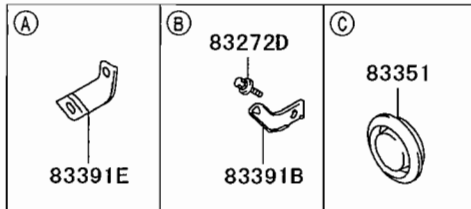
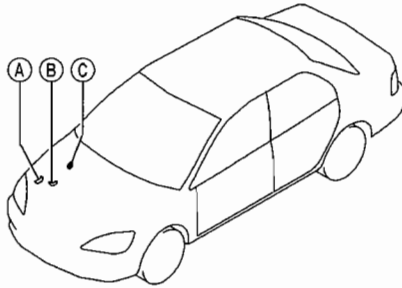
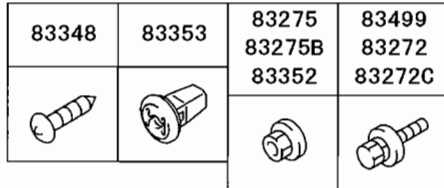


NOTE: REFER TO THE WORKSHOP MANUAL (ELECTRICAL WIRING) FOR DETAILS OF WIRING.

D01187

## 54 -710 WIRING & ATTACHING PARTS

CS6A:ATTACHING PARTS



D01188

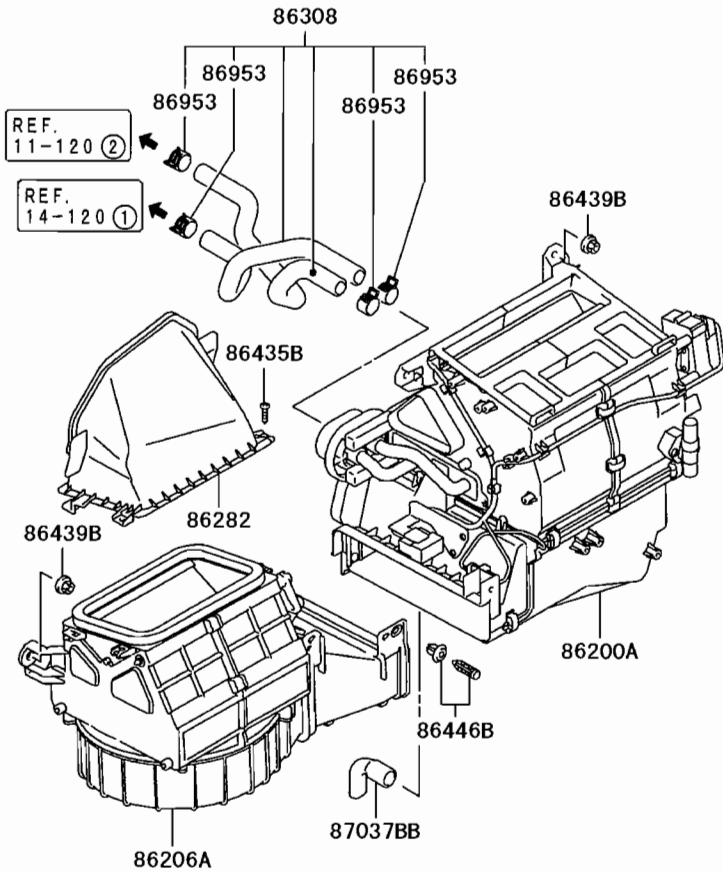
P N C	MODEL APPLICABLE		PART NO. (REPL. P/NO.)	Q Y	REMARKS
	FROM-UP TO	TYPE			
<b>73149B</b>					
0512-1-		PROTECTOR,INSTRUMENT PANEL HARNESS			
ALL			<b>MR438948</b>	1	DRIVER SIDE
<b>73149C</b>		PROTECTOR,INSTRUMENT PANEL HARNESS			
0512-1-		ALL	<b>MR522543</b>	1	PASSENGER SIDE
<b>82703</b>		BOX,RELAY			
0512-1-		ALL	<b>MR502415</b>	1	
<b>82703A</b>		BOX ASSY,RELAY			
0512-1-		ALL	<b>MR965734</b>	1	
<b>82725B</b>		COVER,RELAY BOX			
0512-1-		ALL	<b>MN162364</b>	1	
<b>82725C</b>		COVER,RELAY BOX			
0512-1-		ALL	<b>MR502417</b>	1	
<b>82904</b>		CABLE,DEFOGGER			
0512-1-		ALL	<b>MR522127</b>	1	
<b>83036B</b>		HARNESS,CHASSIS,FR			
0512-1-0803-3	CS6A	ALL	<b>8501A291</b>	1	
0804-1-0804-3	CS6A	ALL	<b>MN151060</b>	1	
0805-1-	CS6A	SNJERDW	<b>MN151060</b>	1	
0805-1-	CS6A	SNJERDW2 SNJERDW	<b>8501A299</b>	1	
<b>83036C</b>		HARNESS,CHASSIS,FR			
0512-1-		ALL	<b>MR979720</b>	1	
<b>83051</b>		HARNESS,CONTROL			
0512-1-0804-3		ALL	<b>8541A360</b>	1	
0805-1-		ALL	<b>8541B177</b>	1	
<b>83065</b>		HARNESS,FR DOOR			
0512-1-		ALL	<b>MN151220</b>	1	DRIVER SIDE
0512-1-		ALL	<b>MN151222</b>	1	PASSENGER SIDE
<b>83072</b>		HARNESS,FOG LAMP			
0805-1-	CS6A	SNJERDW	<b>MN124940</b>	1	
<b>83082</b>		HARNESS,FUEL GAUGE UNIT			
0512-1-		ALL	<b>MR979832</b>	1	
<b>83096</b>		HARNESS,INSTRUMENT PANEL			
0512-1-0804-3	CS6A	ALL	<b>8522A429</b>	1	
0805-1-	CS6A	SNJERDW	<b>8522A429</b>	1	
0805-1-	CS6A	SNJERDW2 SNJERDW	<b>8522B385</b>	1	
<b>83111</b>		HARNESS,RR DOOR			
0512-1-0601-3		ALL	<b>MN124804</b>	1	LH
0512-1-0601-3		ALL	<b>MN124809</b>	1	RH
0602-1-		ALL	<b>8512A595</b>	2	
<b>83129</b>		HARNESS,ROOF			
0512-1-		ALL	<b>MR522414</b>	1	
<b>83201B</b>		FUSE,INSTRUMENT PANEL WIRING			
0512-1-		ALL	<b>MS810877</b>	3	BLADE(MINI) TYPE.BLUE.15A
0512-1-		ALL	<b>MS810875</b>	8	BLADE(MINI) TYPE.BROWN. 7.5A
0512-1-		ALL	<b>MS810876</b>	2	BLADE(MINI) TYPE.RED.10A

## 54 -710 WIRING &amp; ATTACHING PARTS

P N C		MODEL APPLICABLE		P/N/R	PART NO. (REPL. P/NO.)	Q T Y	R E M A R K S	P N C		MODEL APPLICABLE		P/N/R	PART NO. (REPL. P/NO.)	Q T Y	R E M A R K S
FROM-UP TO	TYPE	DESCRIPTION						FROM-UP TO	TYPE	DESCRIPTION					
<b>83201B</b> 0512-1-	ALL	FUSE,INSTRUMENT PANEL WIRING			<b>MS810878</b>	2	BLADE(MINI) TYPE,YELLOW, 20A	<b>83499</b> 0512-1-0710-3	ALL	BOLT,WIRING		<b>MB133273</b>	4	WASHER ASSEMBLED,6X16	
<b>83201C</b> 0512-1-	ALL	FUSE,INSTRUMENT PANEL WIRING			<b>MS810969</b>	2	BLADE TYPE,GREEN,30A	0512-1-0710-3	ALL			<b>MU241003</b>	1	WASHER ASSEMBLED,6X20	
<b>83225</b> 0512-1-0611-3	ALL	CLIP,BODY WIRING			<b>MN124228</b>	8	SIDE SILL	0512-1-	ALL			<b>MS240121</b>	6	WASHER ASSEMBLED,6X16	
0612-1-	ALL				<b>MR517997</b>	8	SIDE SILL	0512-1-	ALL			<b>MF243628</b>	1	WASHER ASSEMBLED,6X25	
<b>83272</b> 0512-1-	ALL	BOLT,ENG WIRING			<b>MS240142</b>	2	WASHER ASSEMBLED,6X20	0711-1-	ALL			<b>MF915001</b>	1	FLANGE(EARTH)TAPERED,6X20	
<b>83272B</b> 0512-1-	ALL	BOLT,ENG WIRING			<b>MS240121</b>	3	WASHER ASSEMBLED,6X16	0711-1-	ALL			<b>MF915000</b>	4	FLANGE,6X16	
<b>83272D</b> 0512-1-	ALL	BOLT,ENG WIRING			<b>MF140022</b>	1	FLANGE,8X14	<b>83499B</b> 0512-1-0710-3	ALL	BOLT,WIRING		<b>MB133273</b>	3	WASHER ASSEMBLED,6X16	
<b>83275</b> 0512-1-	ALL	NUT,ENG WIRING			<b>MS440503</b>	2	WASHER ASSEMBLED,8	0711-1-	ALL	BOX,FUSE		<b>MF915000</b>	3	FLANGE,6X16	
<b>83275B</b> 0512-1-	ALL	NUT,ENG WIRING			<b>MS440502</b>	3	WASHER ASSEMBLED,6 WASHER(14)	0512-1-	ALL	FUSIBLE LINK		<b>MR194927</b>	1		
<b>83299</b> 0512-1-	ALL	FUSE,CHASSIS WIRING			<b>MS810877</b>	4	BLADE(MINI) TYPE,BLUE,15A	<b>83602</b> 0512-1-	ALL			<b>MU000432</b>	1	GREEN,40A,CONN(MINI JT) TYPE	
0512-1-	ALL				<b>MS810875</b>	3	BLADE(MINI) TYPE,BROWN, 7.5A	<b>83799B</b> 0512-1-	ALL	FUSIBLE LINK		<b>MU000431</b>	1	PINK,30A,CONN(MINI JT) TYPE	
0512-1-	ALL				<b>MS810876</b>	7	BLADE(MINI) TYPE,RED,10A	0512-1-	ALL			<b>MU840028</b> (MU840017)	1	RED,50A,CONN TYPE	
0512-1-	ALL				<b>MS810878</b>	2	BLADE(MINI) TYPE,YELLOW, 20A	<b>83799E</b> 0512-1-	ALL	FUSIBLE LINK		<b>MU000277</b>	1	YELLOW,60A BOLT/C1 TYPE	
<b>83301</b> 0512-1-	ALL	BLOCK,CHASSIS HARNESS JUNCTION			<b>MR952263</b>	1		<b>83799F</b> 0512-1-	ALL	FUSIBLE LINK		<b>MU840018</b>	1	YELLOW,60A,CONN TYPE	
<b>83345B</b> 0512-1-	ALL	GROMMET,DOOR WIRING			<b>MR252154</b>	2	62X33(BODY)-58X38(DOOR)	<b>83819</b> 0512-1-	ALL	COVER,HARNESS CONNECTOR		<b>MR452515</b>	1		
<b>83345C</b> 0512-1-	ALL	GROMMET,DOOR WIRING			<b>MR337852</b>	2	RUBBER,26X42(BODY) -24X52(DOOR)	<b>83821L</b> 0512-1-	ALL	CONNECTOR,JUNCTION BLOCK,LH		<b>MR517995</b>	1		
<b>83348</b> 0512-1-	ALL	SCREW,WIRING			<b>MF453031</b>	5	TAPPING,5X12	<b>83821R</b> 0512-1-	ALL	CONNECTOR,JUNCTION BLOCK,RH		<b>MR517996</b>	1		
0512-1-	ALL				<b>MF453033</b>	4	TAPPING,5X16	<b>83902B</b> 0512-1-	ALL	HARNESS,FLOOR		<b>MN162293</b>	1		
<b>83351</b> 0512-1-	ALL	PLUG,WIRING			<b>MU670035</b>	1	PLASTICS,30	<b>83902C</b> 0512-1-	ALL	HARNESS,FLOOR		<b>MN162295</b>	1		
<b>83352</b> 0512-1-	ALL	NUT,WIRING			<b>MS440502</b>	2	WASHER ASSEMBLED,6 WASHER(14)								
<b>83391B</b> 0512-1-	ALL	BRACKET,ENG WIRING			<b>MR400697</b>	1									
<b>83391E</b> 0512-1-	ALL	BRACKET,ENG WIRING			<b>MR583216</b>	1									

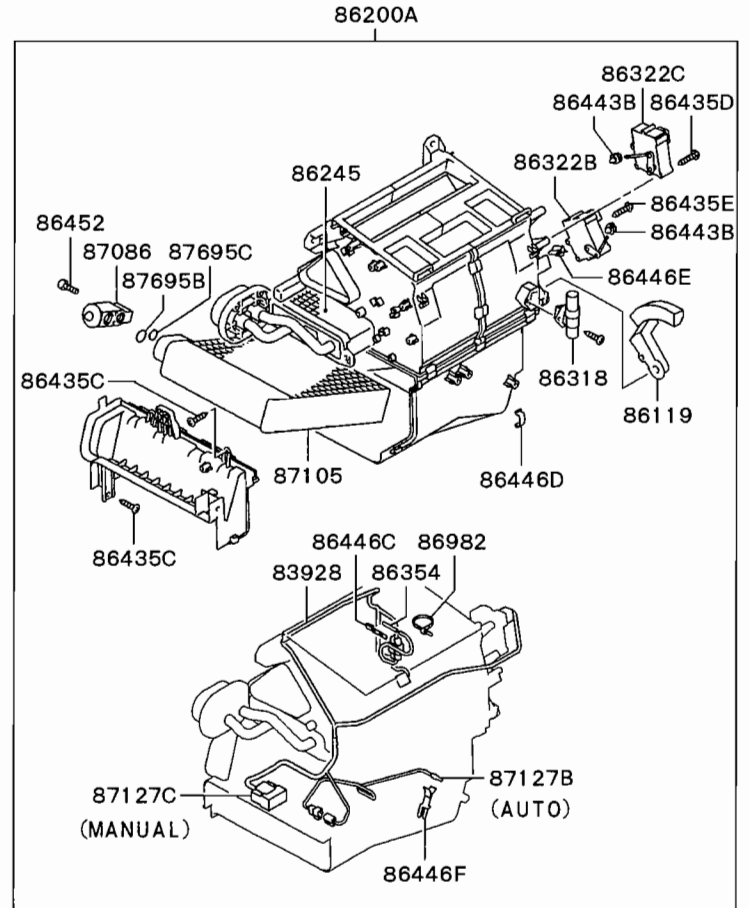
# 55 -010 HEATER UNIT & PIPING

CS6A:INSTALLING PARTS



D00250

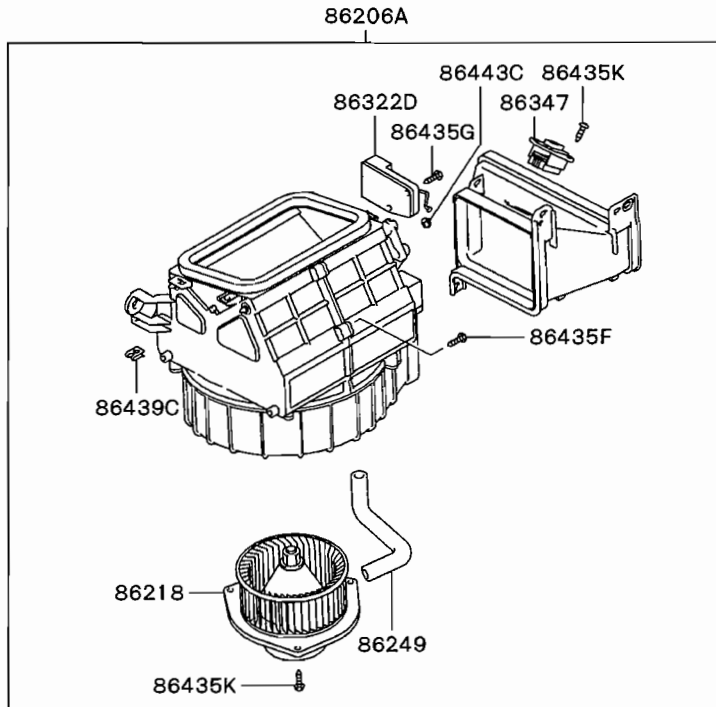
CS6A:HEATER DISASSEMBLED PARTS



D00068E

# 55-010 HEATER UNIT & PIPING

CS6A: BLOWER DISASSEMBLED PARTS



D00067B

P N C	MODEL APPLICABLE		R E P	PART NO. (REPL P/NO.)	Q T Y	R E M A R K S
	FROM-UP TO	TYPE				
<b>83928</b> 0805-1-						
<b>CS6A</b>				<b>MR568478</b>	1	
<b>86119</b> 0512-1-						
<b>CS6A</b>				<b>7801A111</b>	1	
<b>86200A</b> 0512-1-0804-3						
<b>CS6A</b>				<b>MN177640</b>	1	
0805-1-				<b>MN177640</b>	1	
0805-1-				<b>7801A405</b>	1	
<b>86206A</b> 0512-1-0804-3						
<b>CS6A</b>				<b>MR513023</b>	1	
0805-1-				<b>MR513023</b>	1	
0805-1-				<b>MR568517</b>	1	
<b>86218</b> 0512-1-0804-3						
<b>CS6A</b>				<b>MR460944</b>	1	
0805-1-				<b>MR460944</b>	1	
0805-1-				<b>MR958181</b>	1	
<b>86245</b> 0512-1-						
<b>CS6A</b>				<b>MR979528</b>	1	
0805-1-						
<b>86249</b> 0512-1-0804-3						
<b>CS6A</b>				<b>MR460950</b>	1	
0805-1-				<b>MR460950</b>	1	
<b>86282</b> 0512-1-						
<b>CS6A</b>				<b>MR500437</b>	1	
0805-1-						
<b>86308</b> 0512-1-						
<b>CS6A</b>				<b>MN133418</b>	1	
0805-1-						
<b>86318</b> 0805-1-						
<b>CS6A</b>				<b>MB877802</b>	1	
0805-1-						
<b>86322B</b> 0805-1-						
<b>CS6A</b>				<b>MR460967</b>	1	AM
0805-1-						
<b>86322C</b> 0805-1-						
<b>CS6A</b>				<b>MR979533</b>	1	MODE
0805-1-						
<b>86322D</b> 0512-1-						
<b>CS6A</b>				<b>MR460946</b>	1	OUTSIDE-INSIDE
0805-1-						
<b>86347</b> 0512-1-0804-3						
<b>CS6A</b>				<b>MR568591</b>	1	
0805-1-				<b>MR568591</b>	1	
<b>86354</b> 0805-1-						
<b>CS6A</b>				<b>MR460971</b>	1	
0805-1-						
<b>86435B</b> 0512-1-						
<b>CS6A</b>				<b>MF453031</b>	2	TAPPING,5X12
0805-1-						
<b>86435C</b> 0512-1-0701-3						
<b>CS6A</b>				<b>MF455016</b>	6	TAPPING,4X10
0702-1-				<b>MF455377</b>	8	TAPPING,4X12
0805-1-						
<b>86435D</b> 0805-1-						
<b>CS6A</b>				<b>MR460974</b>	3	TAPPING,4X40
0805-1-						

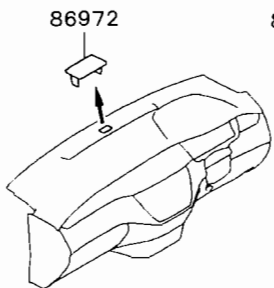
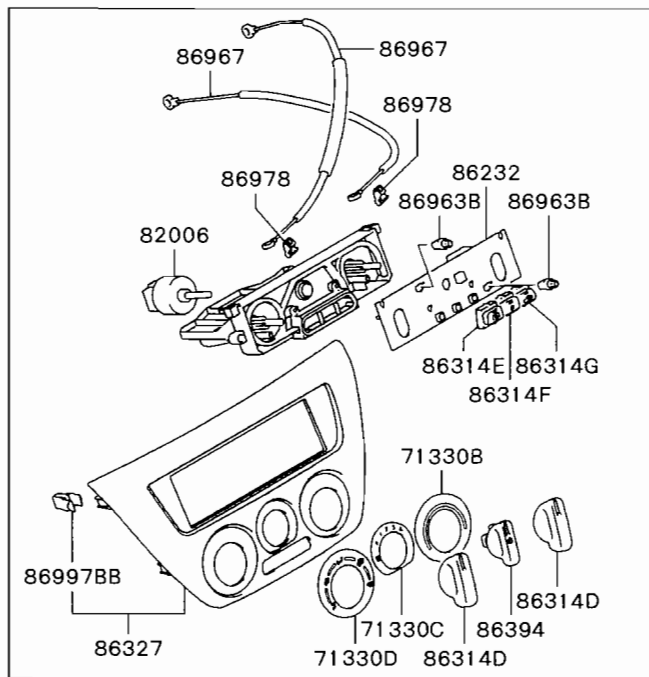


55 -010 HEATER UNIT & PIPING

P N C		MODEL APPLICABLE		QTY	REMARKS	P N C		MODEL APPLICABLE		QTY	REMARKS
FROM/UP TO	TYPE	DESCRIPTION	PART NO. (REPL P/NO.)			FROM/UP TO	TYPE	DESCRIPTION	PART NO. (REPL P/NO.)		
<b>86435E</b> 0805-1-	SCREW,HEATER	ALL	<b>MR460974</b>	3	TAPPING 4X40	<b>87695B</b> 0512-1-	O-RING,A/C	ALL	<b>MB946605</b>	1	1/2
<b>86435F</b> 0512-1-	SCREW,HEATER	ALL	<b>MR460952</b>	9		<b>87695C</b> 0512-1-	O-RING,A/C	ALL	<b>MR146634</b>	1	5/8
<b>86435G</b> 0512-1-	SCREW,HEATER	ALL	<b>MR460953</b>	2							
<b>86435K</b> 0512-1-	SCREW,HEATER	ALL	<b>MR460954</b>	5							
<b>86439B</b> 0512-1-	NUT,HEATER	ALL	<b>MU431014</b>	7	8						
<b>86439C</b> 0512-1-	NUT,HEATER	ALL	<b>MR460955</b>	2							
<b>86443B</b> 0805-1-	HOLDER,HEATER	CS6A SNDRDW2 SNJERDW	<b>MB365999</b>	2							
<b>86443C</b> 0512-1-	HOLDER,HEATER	ALL	<b>MR460951</b>	1							
<b>86446B</b> 0512-1-	CLIP,HEATER	ALL	<b>MB476821</b>	2	BLACK						
<b>86446C</b> 0805-1-	CLIP,HEATER	CS6A SNDRDW2 SNJERDW	<b>MR568479</b>	1							
<b>86446D</b> 0512-1-	CLIP,HEATER	ALL	<b>MR270770</b>	9							
<b>86446E</b> 0512-1-0804-3	CLIP,HEATER	CS6A ALL	<b>MR460370</b>	1							
0805-1-		CS6A SNDRDW	<b>MR460370</b>	1							
<b>86446F</b> 0512-1-0804-3	CLIP,HEATER	CS6A ALL	<b>MR283297</b>	2							
0805-1-		CS6A SNDRDW2 SNJERDW	<b>MR283297</b>	2							
0805-1-		CS6A SNDRDW	<b>MR283297</b>	2							
<b>86452</b> 0512-1-	BOLT,HEATER	ALL	<b>MR460368</b>	2	5X35						
<b>86953</b> 0512-1-	CLAMP,HEATER PIPING	ALL	<b>MU470040</b>	4	21.7 W/HOLDER CLIP						
<b>86982</b> 0805-1-	BAND,HEATER CONTROL EQUIP	CS6A SNDRDW2 SNJERDW	<b>MB306583</b>	1	100						
<b>87037BB</b> 0512-1-	HOSE,A/C EVAPORATOR DRAIN	ALL	<b>MN124137</b>	1							
<b>87086</b> 0512-1-	VALVE,A/C EXPANSION	ALL	<b>MR460369</b>	1							
<b>87105</b> 0512-1-	EVAPORATOR,A/C	ALL	<b>MR958418</b>	1							
<b>87127B</b> 0805-1-	THERMISTOR,A/C	CS6A SNDRDW2 SNJERDW	<b>MR460970</b>	1							
<b>87127C</b> 0512-1-0804-3	THERMISTOR,A/C	CS6A ALL	<b>MR568309</b>	1							
0805-1-		CS6A SNDRDW	<b>MR568309</b>	1							

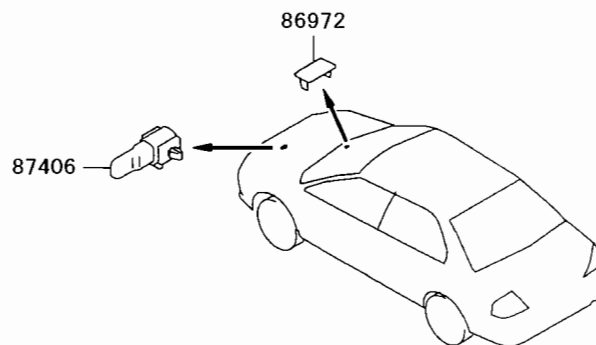
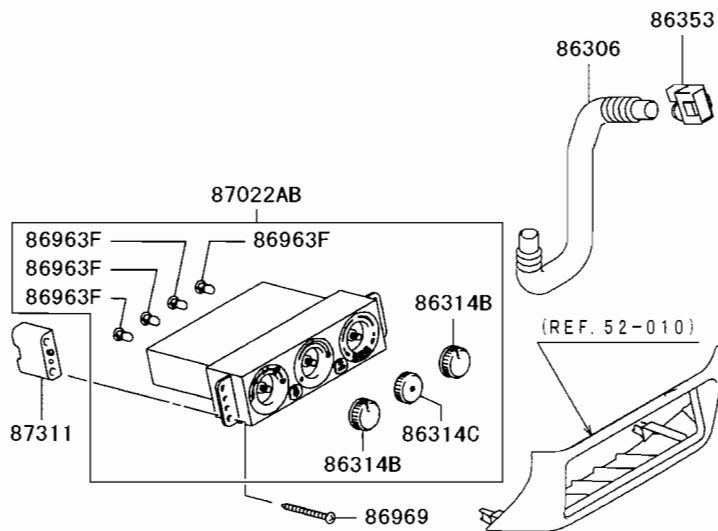
# 55 -210 HEATER CONTROL

CS6A:MANUAL



000015

CS6A:AUTO

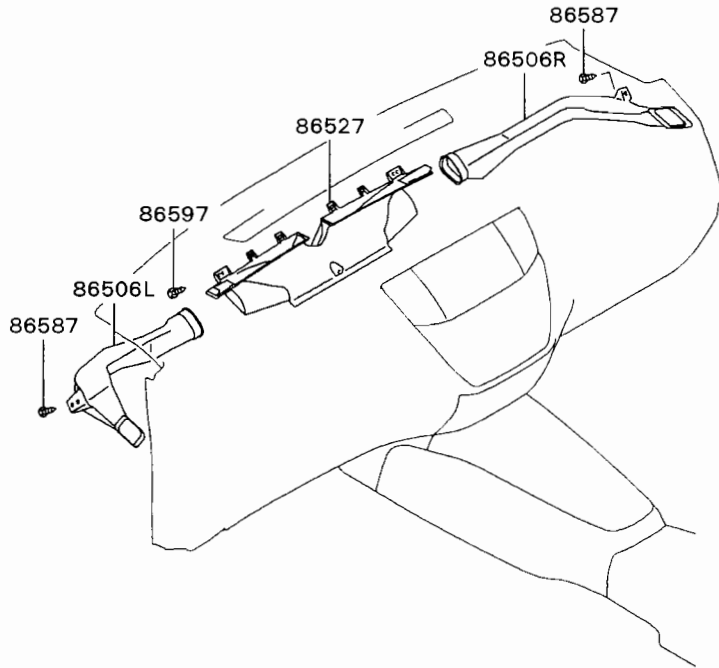


000154

55 -210 HEATER CONTROL

P N C		MODEL APPLICABLE		QTY	REMARKS	P N C		MODEL APPLICABLE		QTY	REMARKS	
FROM-UP TO	TYPE	DESCRIPTION	PART NO. (REPL P/NO.)			FROM-UP TO	TYPE	DESCRIPTION	PART NO. (REPL P/NO.)			
<b>71330B</b>		LABEL,HEATER CONTROL					<b>86963B</b>		BULB,HEATER CONTROL EQUIP			
0512-1-0512-3	CS6A	ALL	MR500934	1	TEMP		0512-1-0804-3	CS6A	ALL	MR568787	2	W/BLUE CAP
0601-1-0804-3	CS6A	ALL	7820A097	1	TEMP		0805-1-	CS6A	SNDRDW	MR568787	2	W/BLUE CAP
0805-1-	CS6A	SNDRDW	7820A097	1	TEMP		<b>86963F</b>		BULB,HEATER CONTROL EQUIP			
<b>71330C</b>		LABEL,HEATER CONTROL					0805-1-	CS6A	SNDRDW2 SNJERDW	MR460120	4	W/CAP
0512-1-0804-3	CS6A	ALL	MR500932	1	FAN		<b>86967</b>		WIRE,HEATER CONTROL EQUIP			
0805-1-	CS6A	SNDRDW	MR500932	1	FAN		0512-1-0804-3	CS6A	ALL	MR513108	1	MODE
<b>71330D</b>		LABEL,HEATER CONTROL					0512-1-0804-3	CS6A	ALL	MR513107	1	TEMP
0512-1-0512-3	CS6A	ALL	MR500933	1	MODE		0805-1-	CS6A	SNDRDW	MR513108	1	MODE
0601-1-0804-3	CS6A	ALL	MR568314	1	MODE		0805-1-	CS6A	SNDRDW	MR513107	1	TEMP
0805-1-	CS6A	SNDRDW	MR568314	1	MODE		<b>86969</b>		SCREW,HEATER CONTROL EQUIP			
<b>82006</b>		SWITCH,HEATER BLOWER					0805-1-	ALL		MU000263	4	TAPPING SX55
0512-1-0804-3	CS6A	ALL	MR513316	1			<b>86972</b>		PLUG,HEATER CONTROL EQUIP			
0805-1-	CS6A	SNDRDW	MR513316	1			0512-1-	ALL		MR398773	1	
<b>86232</b>		CONTROLLER,HEATER UNIT DAMPER					<b>86978</b>		CLIP,HEATER CONTROL EQUIP			
0512-1-0804-3	CS6A	ALL	MN185056	1			0512-1-0804-3	CS6A	ALL	MB298639	2	5.2
0805-1-	CS6A	SNDRDW	MN185056	1			0805-1-	CS6A	SNDRDW	MB298639	2	5.2
<b>86243A</b>		CONTROLLER ASSY,HEATER					<b>86997BB</b>		CLIP,HEATER CONTROL PANEL			
0512-1-0804-3	CS6A	SNJERDW	MN185346HA	1	D-GRAY INT 63P		0512-1-0804-3	CS6A	ALL	MR975812	6	
0512-1-	CS6A	SNDRDW	MN185346HB	1	M-SILVER INT 41Y.62F		0805-1-	CS6A	SNDRDW	MR975812	6	
<b>86306</b>		HOSE,AUTO HEATER CONTROL VACUUM					<b>87022AB</b>		CONTROLLER ASSY,AUTO A/C			
0805-1-	CS6A	SNDRDW2 SNJERDW	7820A032	1			0805-1-	CS6A	SNDRDW2 SNJERDW	7820A102	1	
<b>86314B</b>		KNOB,HEATER CONTROL LEVER					<b>87311</b>		SUPPORT,A/C CONTROLLER			
0805-1-	CS6A	SNDRDW2 SNJERDW	MR958203	2			0805-1-	CS6A	SNDRDW2 SNJERDW	MR513323	2	
<b>86314C</b>		KNOB,HEATER CONTROL LEVER					<b>87406</b>		SENSOR,A/C CONDENSER TEMPERATURE			
0805-1-	CS6A	SNDRDW2 SNJERDW	MR958204	1			0805-1-	CS6A	SNDRDW2 SNJERDW	MR283903	1	JOINT HARNESS LESS
<b>86314D</b>		KNOB,HEATER CONTROL LEVER										
0512-1-0804-3	CS6A	ALL	MR500925	2								
0805-1-	CS6A	SNDRDW	MR500925	2								
<b>86314E</b>		KNOB,HEATER CONTROL LEVER										
0512-1-0804-3	CS6A	ALL	MR500929	1	RR DEFOGGER							
0805-1-	CS6A	SNDRDW	MR500929	1	RR DEFOGGER							
<b>86314F</b>		KNOB,HEATER CONTROL LEVER										
0512-1-0804-3	CS6A	ALL	MR500928	1	A/C							
0805-1-	CS6A	SNDRDW	MR500928	1	A/C							
<b>86314G</b>		KNOB,HEATER CONTROL LEVER										
0512-1-0804-3	CS6A	ALL	MR500927	1	OUT SIDE-IN SIDE							
0805-1-	CS6A	SNDRDW	MR500927	1	OUT SIDE-IN SIDE							
<b>86327</b>		PANEL,HEATER CONTROL										
0512-1-0804-3	CS6A	SNJERDW	MN151265HA	1	D-GRAY INT 63P							
0512-1-	CS6A	SNDRDW	MN151265HB	1	M-SILVER INT 41Y.62F							
<b>86353</b>		SENSOR,HEATER AIR INTAKE DUCT										
0805-1-	CS6A	SNDRDW2 SNJERDW	MN134419	1								
<b>86394</b>		KNOB,HEATER BLOWER										
0512-1-0804-3	CS6A	ALL	MR500926	1								
0805-1-	CS6A	SNDRDW	MR500926	1								

## 55 -310 DEFROSTER NOZZLE & DUCT

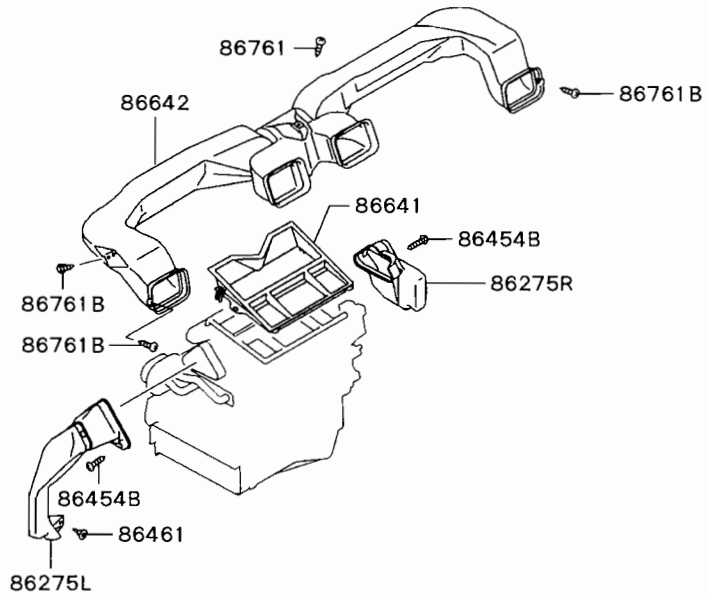


D000020

P N C	MODEL APPLICABLE		PART NO (REPL P/NO.)	Q Y	REMARKS
	FROM-UP TO	TYPE			
<b>86506L</b>					
0512-1-			<b>MR398204</b>	1	
<b>86506R</b>					
0512-1-			<b>MR398203</b>	1	
<b>86527</b>					
0512-1-			<b>MR398199</b>	1	
<b>86587</b>					
0512-1-			<b>MB409438</b>	2	TAPPING.5X16
<b>86597</b>					
0512-1-			<b>MB409438</b>	4	TAPPING.5X16

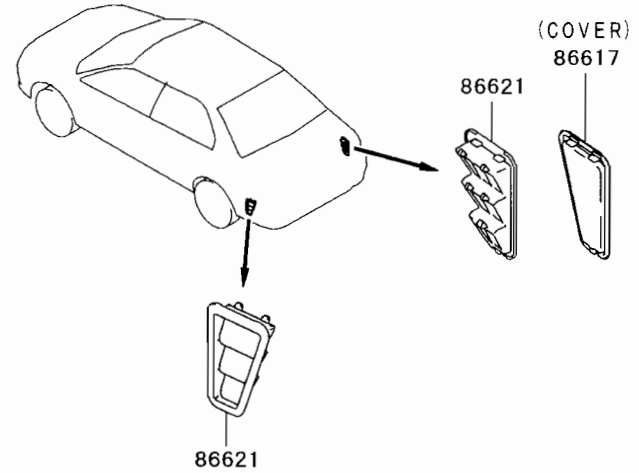
55 -330 VENTILATION & DUCT

CS6A.FRONT



D00021 A

CS6A.REAR



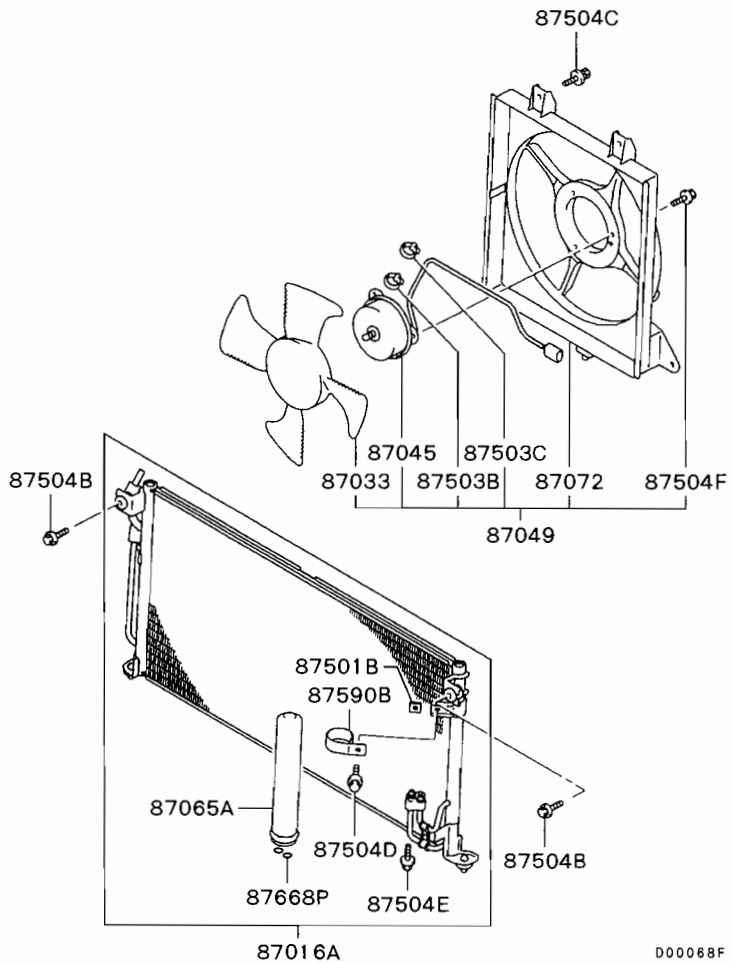
D00012

55 -330 VENTILATION & DUCT

P N C	MODEL APPLICABLE	TURB	PART NO. (REPL P/NO.)	Q ↓	REMARKS
FROM-UP TO	TYPE DESCRIPTION				
<b>86275L</b> 0512-1-	DUCT,FOOT HEATER,LH ALL		<b>MR500596</b>	1	
<b>86275R</b> 0512-1-	DUCT,FOOT HEATER,RH ALL		<b>MR398221</b>	1	
<b>86454B</b> 0512-1-	SCREW,HEATER DUCT ALL		<b>MF453031</b>	2	TAPPING.5X12
<b>86461</b> 0512-1-	CLIP,HEATER DUCT ALL		<b>MB476821</b>	1	BLACK
<b>86617</b> 0701-1-	COVER,RR VENTILATOR ALL		<b>7835A004</b>	1	
<b>86621</b> 0512-1-0612-3	DUCT,RR VENTILATOR ALL		<b>MR460484</b>	2	
<b>86641</b> 0512-1-	DUCT,VENTILATOR,CTR ALL		<b>MR500440</b>	1	
<b>86642</b> 0512-1-	DUCT,VENTILATOR AIR DISTRIBUTION ALL		<b>MR398215</b>	1	
<b>86761</b> 0512-1-	SCREW,CTR VENTILATOR DUCT ALL		<b>MF453031</b>	1	TAPPING.5X12
<b>86761B</b> 0512-1-	SCREW,CTR VENTILATOR DUCT ALL		<b>MB409438</b>	4	TAPPING.5X16

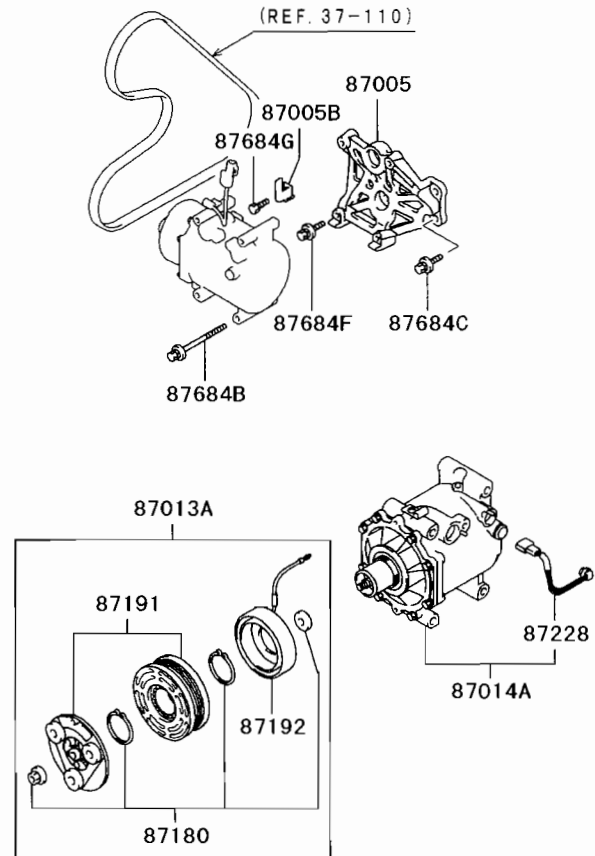
55 -430 A/C CONDENSER, PIPING

CS6A:CONDENSER



D00068F

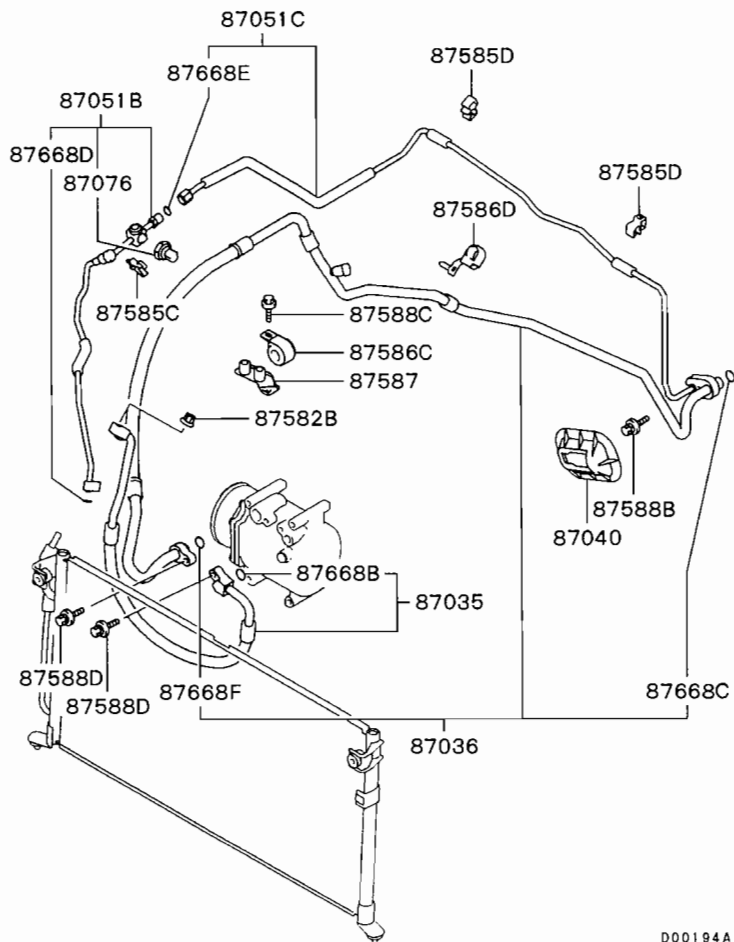
CS6A:COMPRESSOR.BRACKET



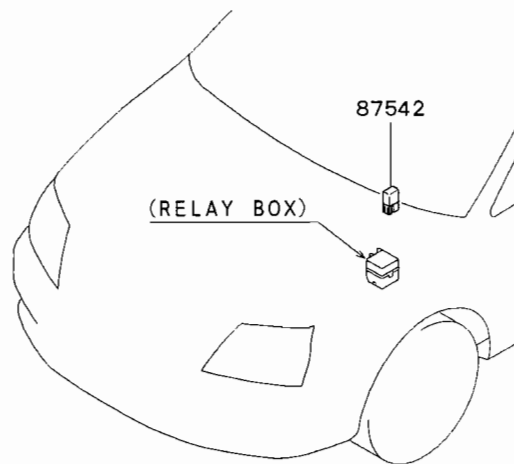
D00311

# 55 -430 A/C CONDENSER, PIPING

CS6A:PIPING



CS6A:CONTROL RELAY





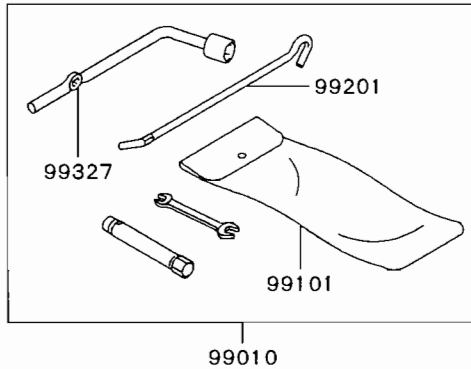
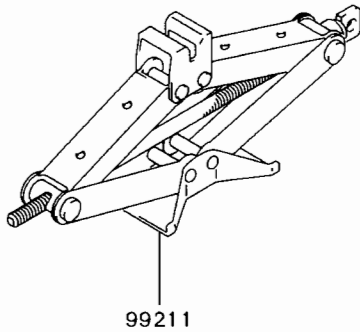
55 -430 A/C CONDENSER, PIPING

P N C	MODEL APPLICABLE	P	PART NO.	Q	REMARKS	P N C	MODEL APPLICABLE	P	PART NO.	Q	REMARKS
FROM-UP TO	DESCRIPTION		(REPL. P/NO.)	TY		FROM-UP TO	DESCRIPTION		(REPL. P/NO.)	TY	
<b>87005</b> 0512-1-	BRACKET,A/C COMPRESSOR ALL		MR360567	1		<b>87504B</b> 0512-1-	BOLT,A/C CONDENSER ALL		MS240144	2	WASHER ASSEMBLED.6X30 COLORED
<b>87005B</b> 0512-1-	BRACKET,A/C COMPRESSOR ALL		MR500653	1		<b>87504C</b> 0512-1-	BOLT,A/C CONDENSER ALL		MF243624	3	WASHER ASSEMBLED.6X16
<b>87013A</b> 0512-1-	CLUTCH ASSY,A/C COMPRESSOR ALL		7813A006	1		<b>87504D</b> 0512-1-	BOLT,A/C CONDENSER ALL		MF243624	1	WASHER ASSEMBLED.6X16
<b>87014A</b> 0512-1-	COMPRESSOR ASSY,A/C ALL		7813A004	1		<b>87504E</b> 0512-1-	BOLT,A/C CONDENSER ALL		MF243628	2	WASHER ASSEMBLED.6X25
<b>87016A</b> 0512-1-	CONDENSER ASSY,A/C REFRIGERANT ALL		MN151100	1		<b>87504F</b> 0512-1-	BOLT,A/C CONDENSER ALL		MF243602	3	WASHER ASSEMBLED.5X12
<b>87033</b> 0512-1-	FAN,A/C CONDENSER ALL		MR233814	1		<b>87542</b> 0512-1-	RELAY,A/C CONTROL EQUIP ALL		MR538851	1	
<b>87035</b> 0512-1-	HOSE,A/C COMPRESSOR DISCHARGE ALL		MR513046	1		<b>87582B</b> 0512-1-	NUT,A/C PIPING ALL		MS440502	2	WASHER ASSEMBLED.6 WASHER(14)
<b>87036</b> 0512-1-	HOSE,A/C COMPRESSOR SUCTION ALL		MR568755	1		<b>87585C</b> 0512-1-	CLIP,A/C PIPING ALL		MR568306	2	
<b>87040</b> 0512-1-	COVER,A/C EVAPORATOR ALL		MR460296	1		<b>87585D</b> 0512-1-	CLIP,A/C PIPING ALL		MU000342	2	
<b>87045</b> 0512-1-	MOTOR,A/C CONDENSER FAN ALL		MR568816	1		<b>87586C</b> 0512-1-	CLAMP,A/C PIPING ALL		MU000351	1	
<b>87049</b> 0512-1-	MOTOR & SHROUD,A/C CONDENSER FAN ALL		MR398247	1		<b>87586D</b> 0512-1-	CLAMP,A/C PIPING ALL		MR568629	1	
<b>87051B</b> 0512-1-	PIPE,A/C CONDENSER OUTLET ALL		MN124567	1		<b>87587</b> 0512-1-	BRACKET,A/C PIPING ALL		MN184096	1	
<b>87051C</b> 0512-1-	PIPE,A/C CONDENSER OUTLET ALL		MN124694	1		<b>87588B</b> 0512-1-	BOLT,A/C PIPING ALL		MF243628	1	WASHER ASSEMBLED.6X25
<b>87065A</b> 0512-1-	RECEIVER ASSY,A/C ALL		MR500065	1		<b>87588C</b> 0512-1-	BOLT,A/C PIPING ALL		MS240121	1	WASHER ASSEMBLED.6X16
<b>87072</b> 0512-1-	SHROUD,A/C CONDENSER FAN ALL		MR568812	1		<b>87588D</b> 0512-1-	BOLT,A/C PIPING ALL		MF245455	2	WASHER ASSEMBLED.8X30
<b>87076</b> 0512-1-	SWITCH,A/C REFRIGERANT PRESSURE ALL		MR996148	1		0710-1-	ALL		MF140230	1	FLANGE.8X32
<b>87180</b> 0512-1-	CLUTCH KIT,A/C COMPRESSOR SERVICE ALL		MR500330	1		<b>87590B</b> 0512-1-	CLAMP,A/C CONDENSER ALL		MR568513	1	
<b>87191</b> 0512-1-	ROTOR & ARMATURE KIT,A/C COMPRESSOR ALL		MR460108	1		<b>87668B</b> 0512-1-	O-RING,A/C PIPING ALL		MB946605	2	1/2
<b>87192</b> 0512-1-	COIL,A/C COMPRESSOR ALL		MR513236	1		<b>87668C</b> 0512-1-	O-RING,A/C PIPING ALL		MR146634	1	5/8
<b>87228</b> 0512-1-	SWITCH,A/C COMPRESSOR REFRIGERANT TEMPERATURE ALL		MR958879	1		<b>87668D</b> 0512-1-	O-RING,A/C PIPING ALL		MB946604	1	
<b>87501B</b> 0512-1-	NUT,A/C CONDENSER ALL		MR500042	1		<b>87668E</b> 0512-1-	O-RING,A/C PIPING ALL		MB946604	2	
<b>87503B</b> 0512-1-	BAND,A/C CONDENSER ALL		MR460082	1		<b>87668F</b> 0512-1-	O-RING,A/C PIPING ALL		MR117263	1	3/4
<b>87503C</b> 0512-1-	BAND,A/C CONDENSER ALL		MR460082	1							

55-430 A/C CONDENSER, PIPING

P N C	MODEL APPLICABLE	B T U S	PART NO. (REPL. P/NO.)	Q ↓ Y	REMARKS
FROM/UP TO	TYPE DESCRIPTION				
<b>87668P</b> 0512-1-	O-RING,A/C PIPING ALL		<b>MB946604</b>	2	
<b>87684B</b> 0512-1-	BOLT,A/C COMPRESSOR ALL		<b>MF140245</b>	4	FLANGE,8X100
<b>87684C</b> 0512-1-	BOLT,A/C COMPRESSOR ALL		<b>MF140260</b>	3	FLANGE,10X25
<b>87684F</b> 0512-1-	BOLT,A/C COMPRESSOR ALL		<b>MF140258</b>	1	FLANGE,10X20
<b>87684G</b> 0512-1-0709-3	BOLT,A/C COMPRESSOR ALL		<b>MF140003</b>	1	FLANGE,6X12
0710-1-	ALL		<b>MF140203</b>	1	FLANGE,6X12

91 -010 STANDARD TOOL



000010A

P N C	MODEL APPLICABLE		PART NO. (REPL P/NO.)	QTY	REMARKS
	FROM-UP TO	TYPE DESCRIPTION			
<b>99010</b>		TOOL SET,STD			
0512-1-		ALL	<b>MR519334</b>	1	
<b>99101</b>		BAG,TOOL			
0512-1-		ALL	<b>MB149157</b>	1	
<b>99201</b>		BAR,JACK HANDLE EXTENSION			
0512-1-		ALL	<b>MR297379</b>	1	
<b>99211</b>		JACK			
0512-1-		ALL	<b>MR403843</b>	1	
<b>99327</b>		WRENCH,WHEEL NUT SOCKET			
0512-1-		ALL	<b>MB621148</b>	1	

PARTS NUMBER INDEXES

PARTS NUMBER	PAGE	PARTS NAME CODE	PARTS NUMBER	PAGE	PARTS NAME CODE	PARTS NUMBER	PAGE	PARTS NAME CODE	PARTS NUMBER	PAGE	PARTS NAME CODE	PARTS NUMBER	PAGE	PARTS NAME CODE	PARTS NUMBER	PAGE	PARTS NAME CODE
M811943	7	04956	MB076376	89	48970	MB271999	92	62022B	MB419223	105	61793		34	13010D	MB928874	74	52375
M811943D	7	04956	MB083730	167	84295D	MB286961	166	84224	MB476821	186	86446B	MB687012	34	13010E	MB941941	156	75237B
M811944	9	01597X	MB084256	24	08977	MB288462	15	02890		191	86461	MB692947	126	67495	MB946604	194	87668D
M811946	37	12988	MB084419	167	84295B	MB288463	67	40089C	MB481588	140	70298	MB696120	136	71975B		194	87668E
M811946D	37	12988	MB084759	166	84247B	MB292508	105	61799	MB514690	34	13012B	MB699264	72	51016		195	87668F
M811954	40	14788Q		166	84247C		113	64299	MB515405	63	33303		74	52005	MB946605	186	87695B
M811954D	40	14788Q	MB104993	153	65983	MB298639	188	86978	MB520459	74	52301L	MB809280	69	41137		194	87668B
M813299	12	03198	MB106212	164	80865	MB303070	67	40021C		74	52301R	MB809335	69	41306C	MB950259	90	48999
M813299D	12	03198	MB109025	61	32184	MB303868	62	32596	MB520465	74	52385		69	41604C	MB950992	71	50275G
M819620	40	14384Q	MB113038	44	14973	MB306583	186	86982	MB520470	74	52376	MB814155	113	71959C	MC845482	166	84233
M906993	40	14384S	MB114053	179	85142	MB316561	78	54988	MB520471	74	52964B	MB814176	113	71959B	MD000269	7	01385
M945358	4	01181	MB118900	115	64384	MB321590	123	67291B	MB520472	74	52353	MB815379	87	46009	MD000312	50	21134
M945358D	4	01181	MB132008	164	80865		123	67291C	MB520849	71	50275	MB816391	65	32808	MD000436	5	01281
M945407	30	11293	MB133273	175	85989B		123	67291D	MB522123	85	45295	MB817060	147	72699B	MD000569	33	12096
M945407D	30	11293		179	83577C		130	68093B	MB529091	165	80646A	MB829013	59	24594D	MD001404	16	04085Q
M946173	41	14799U		183	83499		130	68093C	MB532373	85	45272C	MB844379	58	24579C	MD001521	12	03281
M946934	42	14699		183	83499B		130	68093D	MB532399	87	46297B	MB844980	87	46289B	MD005317	5	01282Q
M946934D	42	14699	MB133472	176	84998	MB326033	143	73541	MB554317	21	05456	MB851043	47	20025	MD008959	11	03789
M947760	41	14799S	MB135995	143	73931	MB330645	167	84295C	MB554982	18	05007	MB857298	74	52381B	MD015988	16	04217
M947760D	41	14799S		143	73976B	MB330946	116	66985D	MB555016	47	20144	MB857299	74	52381C	MD020260	7	01396P
M965175	44	14974		145	74186C	MB342535	157	76155B	MB555171	79	20014	MB857302	74	52321	MD020630	5	01214
M965175D	44	14974	MB142761	67	40698	MB344587	78	54992D	MB562195	142	73507C	MB857613	74	52022	MD021563	16	04211
M980113	9	01597T	MB149157	196	99101	MB344693	78	54992J	MB566215	153	65983	MB858800	47	20193B	MD025178	33	12099P
	50	20999S	MB157530	104	66994	MB344789	148	63629	MB566720	145	74188D		76	54281C	MD040557	55	22998P
M980113D	9	01597T	MB166042	90	48999	MB345544	30	11285	MB572857	119	45029	MB858934	74	50454L	MD050316	9	01512
	50	20999S	MB174347	116	66979	MB347410	58	24582D	MB575310	118	65974C	MB858935	74	50454R	MD050317	9	01521
M980114	39	14199	MB175244	58	24588C	MB348422	120	71674	MB579402	65	32844	MB870071	87	46039C	MD075834	7	04999
	50	20999P	MB180001	58	24588J	MB351258	89	48942	MB580086	59	24594B	MB870573	58	24055	MD087060	23	07802P
M980116	50	20999Q	MB189330	173	85592B	MB356979	25	10289	MB584600	63	33313	MB870574	58	24055	MD088093	31	11483S
M980116D	50	20999Q	MB193884	79	20010	MB365999	186	86443B	MB595895	21	05493J	MB877802	185	86318	MD088604	37	12410
MA111832	78	54989		79	53010	MB382513	18	05259	MB604627	145	74094	MB881494	166	84116	MD090875	62	32598
MA125934	54	22602	MB197499	114	64336	MB383490	171	82221	MB604673	145	74061	MB888461	124	67352		66	32168
MA145188	54	22986	MB241245	179	85142	MB400510	18	05081	MB605081	25	10456		132	68137	MD091056	29	10801
MA151647	74	52957C	MB241600	153	65866B	MB402060	114	64311C	MB608104	151	72883B	MB890474	25	10485	MD095201	11	03013
MA151648	74	52502	MB241601	153	65866B	MB402130	114	05011B	MB611937	34	13012C	MB891411	47	20137	MD095402	23	07802Q
MA152484	33	12096P	MB242360	69	41993	MB402316	114	64308	MB612553	95	64998E	MB893066	135	60212L	MD096940	12	03024
MA156028	94	64026C	MB243335	87	46290B	MB406988	118	60999B	MB616023	87	47312	MB893069	135	60212R	MD097012	51	21199P
MA167873	157	76463B	MB243336	87	46127	MB407635	63	33326	MB617937	166	84233	MB893538	107	62973	MD102444	31	11483P
	158	76463C	MB249338	171	82213B	MB409435	143	73699	MB621148	196	99327	MB895797	78	54992B	MD103148	4	04907
MA431825	47	20957	MB253964	94	64012E		143	73965C	MB645307	113	71957B	MB899664	149	72898D	MD118506	41	14799Q
	78	52997		118	63979B		145	74182D		137	70496C	MB908442	93	62199C	MD119127	37	12410
	78	54992	MB256379	71	50275D	MB409437	93	62986B	MB646885	137	70498		94	62199C	MD122521	5	01282S
MB006415	87	46290C	MB258979	123	67291C		142	73297B	MB651931	35	13547	MB910963	87	46289B	MD124336	89	48966
MB015890	118	65974H		123	67291D		145	74182G	MB668083	63	52111	MB911495	62	32502	MD129705	31	02200P
MB019730	122	67906		130	68093C		162	80877C	MB668906	74	52330AL		63	33302	MD131259	11	03013
	129	68215		130	68093D	MB409438	142	73297F		74	52330AR	MB916447	155	75082	MD133317	5	03130
MB023714	105	61799	MB266164	87	46284		189	86587	MB668907	74	52340AL	MB918617	144	73694	MD136466	16	04150
MB058362	47	20194	MB268795	160	75703		189	86597	MB668908	74	52340AR	MB928290	72	51002	MD141302	16	04082
MB058859	76	54291		160	76417		191	86761B	MB687002	34	13010B		74	52018	MD144215	11	03031
MB059359	34	13096B	MB270319	115	64396	MB409439	85	45292C		34	13010C	MB928711	76	54239	MD145018	16	04085P

PARTS NUMBER INDEXES

PARTS NUMBER	PAGE	PARTS NAME CODE	PARTS NUMBER	PAGE	PARTS NAME CODE	PARTS NUMBER	PAGE	PARTS NAME CODE	PARTS NUMBER	PAGE	PARTS NAME CODE	PARTS NUMBER	PAGE	PARTS NAME CODE	PARTS NUMBER	PAGE	PARTS NAME CODE
MD145371	29	10199	MD309756	28	10000A	MD362907	42	14610	MD615596	23	07788S	MD704947	54	22612	MD745803	55	22989U
MD151369	13	03450	MD309897	9	02999SH	MD364740	6	03470	MD615613	23	07704	MD705490	57	23986	MD745804	55	22989U
MD151527	13	03412	MD310105	6	10113	MD364741	6	03470	MD618334	39	14005	MD706185	45	20415	MD745805	55	22989U
MD151672	30	11071	MD311460	16	04007	MD364870	5	03460	MD618546	39	14046	MD706537	54	22989	MD745806	55	22989U
MD153103	5	03130	MD311638	4	04907	MD364871	6	03460	MD618547	39	14034	MD706538	54	22989	MD746156	50	21112P
MD153368	7	01397P	MD312404	89	48959K	MD365876	16	04150	MD618679	40	14205P	MD706539	54	22989	MD746157	51	21195
MD155224	37	12400	MD312441	31	11410	MD367449	11	03000	MD618689	40	14220	MD706557	55	22992	MD746159	51	21197
MD158443	12	03195	MD313415	5	01200A	MD367522	7	01300A	MD618884	40	14293	MD710454	54	22615P	MD746220	56	23143
MD159209	13	03405	MD316006	9	01597S	MD368723	11	03006	MD618927	40	14266	MD710455	54	22615P	MD746221	56	23145
MD162422	13	03410	MD317089	7	04999	MD369534	15	02888	MD619094	39	14037	MD710456	54	22615P	MD746246	56	23172
MD164738	13	03420	MD317671	7	04912	MD369653	9	01517	MD619095	39	14038	MD710457	54	22615P	MD746397	54	22605
MD162682	12	03277	MD318689	6	03470	MD369654	9	01516	MD619101	39	14082	MD712913	50	21148	MD746516	53	22018
MD163246	16	02099	MD318940	5	03460	MD371389	29	10711	MD619102	39	14183		56	23105	MD746561	54	22989T
MD164738	5	01298P	MD319268	12	03343P	MD371450	29	10712	MD619115	39	14002	MD717670	53	22008W	MD746562	54	22989T
MD166768	13	03356	MD319269	13	03343Q	MD372608	89	48013	MD619116	39	14086	MD717882	56	23185	MD746563	54	22989T
MD168055	16	03070	MD319270	12	03324	MD372750	9	02007Q	MD619165	39	14024	MD717883	57	23998Q	MD746564	54	22989T
MD169459	13	03358	MD320174	12	03173	MD373042	7	04911	MD619700	39	14017	MD718557	56	23106	MD746565	54	22989T
MD177572	29	10803	MD320269	40	14788P	MD373417	11	03047Z	MD619705	39	14016	MD719602	45	20423	MD746566	54	22989T
MD179909	4	01129	MD322508	16	04150	MD374380	9	02007P	MD619862	39	14037	MD720603	55	22997	MD746567	54	22989T
MD183192	15	02832	MD324600	9	01597Q	MD374382	9	02012	MD619863	39	14038		57	23991P	MD746568	54	22989T
MD183239	9	04161	MD325714	16	04150	MD374452	29	10034	MD619864	39	14039	MD720937	54	22615P	MD746569	54	22989T
MD183547	4	01130	MD329187	4	01915	MD374466	5	01210	MD619865	39	14025	MD720938	54	22615P	MD746570	54	22989T
MD183893	5	03407	MD329301	42	14631	MD374577	12	03122	MD619866	39	14077	MD720939	54	22615P	MD746708	54	22989P
MD183894	5	03407	MD329302	42	14633	MD374578	12	03166	MD619872	39	14004	MD720940	54	22615P		54	22989Q
MD184291	12	03258T	MD330990	9	01507	MD374620	5	01219	MD619873	39	14183	MD720941	54	22615P	MD746709	54	22989P
MD184303	13	03480	MD331807	89	48940	MD374652	15	02803	MD619874	39	14046	MD720942	54	22615P		54	22989Q
	13	03490	MD332687	16	04150	MD376159	4	01115	MD619901	39	14044A	MD720943	54	22615P	MD746710	54	22989P
MD186376	12	03110	MD334043	42	14630	MD377224	12	03100	MD619923	40	14787	MD720944	54	22615P		54	22989Q
MD187493	9	01597V	MD335229	41	14799T	MD377400	11	03782	MD619964	39	14024	MD720945	54	22615P	MD747001	50	21100
MD188121	9	02999SF	MD337408	29	10110	MD377560	12	03301	MD619967	39	14017	MD722744	45	20430	MD747004	53	22515
MD189240	5	03411	MD342102	16	04015	MD377561	12	03301	MD619970	39	14002	MD724003	45	20027	MD747005	53	22518
MD189241	5	03411	MD342103	16	04016	MD603695	45	20418	MD619971	39	14086	MD724004	46	20965	MD747024	11	03078P
MD190863	12	03038	MD343605	30	11135	MD607887	39	14061	MD619972	39	14044A	MD727660	54	22615P	MD747118	53	22413
MD190865	12	03064	MD344618	9	01524	MD607892	39	14004	MD619973	39	14016	MD727661	54	22615P	MD747119	53	22414
MD191939	9	02999SC	MD345409	40	14215	MD611210	39	14039	MD619975	39	14082	MD728088	50	21185T	MD747124	53	22449
	9	02999SK	MD346958	13	03348	MD611211	39	14025	MD619997	40	14297	MD730979	56	23024	MD747149	54	22989T
	9	02999SE	MD346959	13	03349	MD611212	39	14077	MD621006	45	20403	MD733296	50	21107	MD747209	50	21148
MD191941	5	02125	MD346963	4	01100	MD611214	39	14198	MD621008	45	20453	MD741818	51	22017		56	23105
MD198128	44	14924	MD347157	9	04124	MD611556	40	14307P	MD621009	45	20445	MD744536	53	22409P	MD747279	46	21132
MD301242	9	02122	MD348074	44	14846	MD611558	40	14307Q	MD621013	46	20966	MD744537	53	22008T	MD747282	51	21214
MD301257	7	03017	MD348761	9	02999SJ	MD611928	40	14205Q	MD621015	45	20896		53	22409Q	MD747313	54	22989S
MD301986	12	03171	MD349904	9	02041ZZ	MD614813	23	07892	MD622012	51	81320	MD744538	53	22008S	MD747314	56	23185
MD302598	9	02999SB	MD350292	42	14640	MD615496	23	07792S	MD622013	51	81362		53	22409U	MD747318	53	22424
MD302600	9	02999SD	MD351199	13	03413	MD615499	23	07797	MD623055	44	14834		53	22409V	MD747413	45	20404
MD305640	30	11299		13	03414	MD615500	23	07729	MD632057	31	14839	MD744628	57	23998S	MD747524	45	20422
MD307409	9	02999SM	MD354450	31	11437	MD615501	23	07792T	MD700270	54	22615P	MD745788	56	23235	MD747587	57	23957Q
MD307705	4	01110	MD354664	4	04903A	MD615571	23	07702	MD700271	54	22615P	MD745799	54	22989U	MD747636	53	22404
MD308174	31	11483T	MD359158	7	03080	MD615572	23	07793	MD701140	45	20412	MD745800	54	22989U	MD747660	56	23177
MD308882	89	48088	MD360368	39	14000A	MD615573	23	07708	MD701850	50	21185P	MD745801	55	22989U	MD747707	53	22409
MD309036	12	03258T	MD360935	16	04150	MD615595	23	07708S	MD704268	45	20959	MD745802	55	22989U	MD747740	53	22409W

PARTS NUMBER INDEXES

PARTS NUMBER	PAGE	PARTS NAME CODE	PARTS NUMBER	PAGE	PARTS NAME CODE	PARTS NUMBER	PAGE	PARTS NAME CODE	PARTS NUMBER	PAGE	PARTS NAME CODE	PARTS NUMBER	PAGE	PARTS NAME CODE	PARTS NUMBER	PAGE	PARTS NAME CODE
MD747918	57	23921	MD771824	56	23241	MF140230	194	87588D	MF241298	89	48959N		58	24588G	MF472403	7	01387
MD747923	50	21116	MD955485	50	21129	MF140233	9	01597U	MF241308	51	21807		85	45274	MF472405	51	21186P
MD748015	53	22448	MD970389	3	01090				MF241309	34	13099D	MF450406	40	14384S	MF472503	12	03282
MD748016	53	22448	MD974421	3	26090	MF140235	12	03285S	MF241313	51	21807O	MF451105	47	20178	MF472535	57	23986S
MD748017	53	22448	MD978564	2	01080	MF140238	29	10198Q	MF243602	194	87504F		76	54274	MF472572	57	23986T
MD748018	53	22448	MD978565	2	01070	MF140245	195	87684B	MF243622	95	64998C	MF451107	58	24588H	MF472574	57	23986Q
MD748019	53	22448	MD978907	45	20410	MF140258	89	48959S	MF243624	24	08978	MF453016	127	67596D	MF473492	47	20193C
MD748020	53	22448	MD979053	54	22611					194	87504C		133	68284		76	54281B
MD748021	53	22448	MD997740	3	21090	MF140260	195	87684C		194	87504D	MF453020	125	67397D	MF520002	71	50908
MD748022	53	22448	MF103142	59	24597D	MF140266	9	01597T	MF243628	183	83499		132	68194D	MF520005	47	20920
MD748027	56	23016	MF104928	15	21807B					194	87504E	MF453031	98	62284B		76	54282
MD748030	57	23996	MF140003	195	87684G					194	87588B		116	66973	MF522013	55	22989V
MD748037	46	20985	MF140021	7	04956	MF140268	39	14199	MF243649	155	75111C		145	74182F	MF540004	55	22999
MD748038	45	20464		29	10198				MF243659	34	13099G		148	72011	MF660035	57	23991
MD748126	50	21128		44	14981	MF140270	50	20999Q	MF243660	34	13099F		160	76415	MF660036	50	21134P
MD748128	53	22451	MF140022	183	83272D	MF140272	15	02891Y	MF243662	34	13099H		183	83348	MF660066	90	48983
MD748139	51	21189	MF140025	16	02097P	MF140273	15	02886B	MF244226	140	70292		185	86435B	MF661137	30	11297Q
MD748247	53	22418	MF140026	5	01298X	MF140276	15	02891X	MF244805	31	14871		191	86454B	MF661142	30	11297S
MD748350	57	23995Q	MF140030	89	48959C	MF140285	12	03285P	MF244826	4	01198		191	86761	MF665536	7	01395Q
MD748351	56	23133P	MF140031	16	02097T	MF140425	87	46296B	MF244852	46	20961P	MF453032	172	85983C	MF665541	5	01296
MD748352	57	23995P	MF140033	16	02097Q	MF140456	66	32166	MF244853	33	12099T	MF453033	99	61566		7	01395P
MD748353	56	23133Q	MF140039	16	02097S	MF201546	128	68095	MF244859	33	13099G		139	70099	MF820513	165	80684C
MD748526	57	23987	MF140056	7	01397ZZ	MF205654	146	74395	MF245422	44	82588		142	73297E	MF911668	150	20999P
MD748538	54	22610		31	11498T	MF240001	71	50989C	MF245424	44	82588		143	73965B	MF915000	175	85989B
MD748816	56	23201	MF140202	4	01181	MF240022	125	67398E	MF245455	194	87588D		145	74182B		179	83577C
MD749397	45	20464		5	01298ZZ				MF350768	164	80499B		145	74182C		183	83499
MD749435	56	23103		9	01597PB	MF240023	142	73287C	MF351012	145	74182H		169	81274		183	83499B
MD749478	55	22998		9	01597X	MF240029	51	81931	MF430005	57	23989		173	85592	MF915001	183	83499
MD749708	11	03030A		9	02199P	MF240050	21	05971	MF430006	41	14788O		183	83348	MN100110	69	41399B
MD749712	11	03078		37	12978	MF240059	23	07898	MF430123	87	46291B	MF453036	127	67596E		69	41399C
MD749757	57	23941		123	67291B	MF240080	69	41698	MF430151	31	11482	MF453046	126	67596C	MN100250	67	40699
MD749896	53	22452		130	68093B	MF241224	37	12978P	MF430726	166	84193		133	68284C	MN100326	90	48827
MD749998	45	20430	MF140203	9	02994P	MF241225	44	14886	MF434103	30	11293	MF453047	93	62986J	MN100366	65	32745
MD751238	11	03797		44	14974	MF241250	51	21199U		37	12994	MF453076	121	67093		65	32862
MD751929	50	21182		46	20961Q	MF241251	50	20999T	MF434104	69	41697C		128	68072	MN100378XA	84	45024A
MD754475	54	22615P		195	87684G				MF434105	15	02883	MF453093	133	68284F	MN101527	120	71757
MD754476	54	22615P	MF140205	7	01397Q	MF241252	51	21199Q		67	40089B		143	73935C	MN101533	89	48055A
MD755526	51	32268		44	14886P					69	41997C		143	73992E	MN101581	67	40603
MD755904	51	32268	MF140207	9	02994Q					57	23998T	MF453152	165	80973B	MN101696	87	46181
MD757532	51	81337		42	14699	MF241255	45	20961	MF434106	15	21896B	MF453273	133	68284F	MN101697	87	46175
MD757541	51	81387	MF140208	9	01597W	MF241256	31	11498S	MF445004	58	24582F		145	74182B	MN101702	85	45127A
MD759723	51	21832	MF140217	9	02994S	MF241261	12	03198	MF450006	40	14384Q		164	80381	MN101886	87	46525
MD770094	53	22446	MF140223	31	02299	MF241262	12	03198	MF450153	58	24588D	MF453394	143	73974	MN101927	65	32745
MD770095	53	22428	MF140225	28	10088	MF241263	37	12988	MF450154	34	13087	MF453782	145	74182E		65	32862
MD770438	57	23957Q		29	10198S	MF241264	23	07798P		58	24588E	MF455016	185	86435C	MN101937	89	48736A
MD770926	56	23255		41	14799U				MF450204	57	23978Q	MF455377	185	86435C	MN101957	67	40041
MD770928	57	23986P	MF140227	57	23998P	MF241267	23	07798Q	MF450404	58	24588E	MF455390	95	64992D	MN101960	69	41422
MD770937	54	22600	MF140228	31	11498P	MF241281	155	75111D	MF450405	31	11469		178	85924	MN102171	71	50265L
MD771402	57	23957P	MF140229	89	48959B	MF241286	34	13099C		57	23978P	MF472304	58	24579B	MN102172	71	50265R
MD771765	56	23226		89	48959H	MF241291	89	48959M		57	23978S	MF472402	50	21186	MN102184	81	55831

## PARTS NUMBER INDEXES

PARTS NUMBER	PAGE	PARTS NAME CODE	PARTS NUMBER	PAGE	PARTS NAME CODE	PARTS NUMBER	PAGE	PARTS NAME CODE	PARTS NUMBER	PAGE	PARTS NAME CODE	PARTS NUMBER	PAGE	PARTS NAME CODE	PARTS NUMBER	PAGE	PARTS NAME CODE
MN102750HB	71	50313A	MN126677	94	64017	MN150556	102	61815R	MN158773	44	14925P	MN161543WA	94	64000	MN168937	54	22596P
MN102750YA	71	50313A	MN126736	99	61533	MN150557	102	61303L	MN158977	42	14621	MN161543WC	94	64000		54	22596S
MN102873	74	52150	MN126737	123	67207L	MN150562	102	61303R	MN159165	161	80054L	MN161669	161	80060L	MN169703	164	80331L
MN103274	89	48096		130	68022L	MN150569	118	70328L	MN159166	161	80054R	MN161670	161	80060R	MN169704	164	80331R
MN106046	18	05261	MN126738	123	67207R	MN150570	118	70328R	MN159404	166	84106A	MN161671	161	80060L	MN169705	164	80331L
MN106270	18	05100		130	68022R	MN150586	103	62640	MN159483	114	64341L	MN161672	161	80060R	MN169706	164	80331R
MN113397	119	82005A	MN126920YA	164	80356A	MN150602	102	61986	MN159484	114	64341R	MN161707	118	70328L	MN169707	164	80875
MN113754	119	82005	MN126933	99	61446L	MN150608	102	62639	MN159485	114	64341L	MN161708	118	70328R	MN169828	166	84225
MN116985	80	54020	MN126934	99	61446R	MN150609	102	62610L	MN159486	114	64341R	MN162293	183	83902B	MN175793	137	70414L
MN118423	175	85085Z	MN127079	124	67356	MN150610	102	62610R	MN159613	125	67374L	MN162295	183	83902C	MN175794	137	70414R
MN119250	33	12012P		132	68142	MN150613	102	62610A	MN159614	125	67374R	MN162364	182	82725B	MN175801	161	80003L
MN120699	18	05114	MN128318	23	07810	MN150621	114	64310	MN159615	124	67342L	MN162381XA	155	75004AL	MN175802	161	80003R
MN120764	18	05191	MN132495	53	22513	MN150622	114	64310	MN159616	124	67342R	MN162381XD	155	75004AL	MN175807	161	80003L
MN121271	145	82829	MN133418	185	86308	MN150623	101	61110L	MN159617	124	67330L	MN162381YA	155	75004AL	MN175808	161	80003R
MN124087HA	152	74614	MN134419	188	86353	MN150624	101	61110R	MN159618	124	67330R	MN162386XA	155	75004AR	MN177640	185	86200A
MN124087YA	152	74614	MN134575	171	82041	MN150625	101	61110L	MN159621	124	67361L	MN162386XD	155	75004AR	MN177953	156	75604D
MN124137	186	87037BB	MN134679	151	65104B	MN150626	101	61110R	MN159623	131	68134L	MN162386YA	155	75004AR	MN177967	156	75604E
MN124228	183	83225	MN134963HA	160	75765L	MN150937	93	80294L	MN159624	132	68134R	MN162390XA	155	75001AL	MN180249	61	32174C
MN124263	144	65983E	MN134963YA	160	75765L	MN150938	93	80294R	MN159625	131	68131L		155	75001AR	MN180617	34	13542
MN124264	144	65983F	MN134964HA	160	75765R	MN150939	110	65157L	MN159626	131	68131R	MN162390XD	155	75001AL	MN180623	33	12200A
MN124265	144	65983G	MN134964YA	160	75765R	MN150940	110	65157R	MN159627	131	68132L		155	75001AR	MN180658	25	10449B
MN124448	146	74312A	MN134979	175	85004	MN151060	182	83036B	MN159628	131	68132R	MN162390YA	155	75001AL	MN181175	99	61414
MN124567	194	87051B	MN135194	30	11089	MN151100	194	87016A	MN159631	131	68124L		155	75001AR	MN184096	194	87587
MN124694	194	87051C	MN135454	18	05210A	MN151157HA	146	74321L	MN159632	131	68124R	MN162390YD	155	75001AL	MN185056	188	86232
MN124804	182	83111	MN135768	21	05493CJ	MN151157YA	146	74321L	MN159936	125	67361R		155	75001AR	MN185262	142	73250
MN124809	182	83111	MN135769	21	05493CK	MN151220	182	83065	MN161001	107	63151L	MN162411XA	155	75147L	MN185346HA	188	86243A
MN124940	182	83072	MN135916	25	10273	MN151222	182	83065	MN161013	98	62232L	MN162411XD	155	75147L	MN185346HB	188	86243B
MN124951HA	133	68018	MN137414	29	10100	MN151265HA	188	86327	MN161014	98	62232R	MN162411YA	155	75147L	MN186015	107	63153L
MN124951YA	133	68018	MN139965	18	05622C	MN151265HB	188	86327	MN161015WA	136	62209L	MN162416XA	155	75147R	MN186018	107	63153R
MN126007	162	80222	MN139966	18	05622D	MN151565HB	160	76380L	MN161015WC	136	62209L	MN162416XD	155	75147R	MN186021	107	63153L
MN126160	123	67201	MN141002	178	82817		160	76380R	MN161016WA	136	62209R	MN162416YA	155	75147R	MN186022	107	63153R
	130	68092	MN141007	119	82648	MN151565YA	160	76380L	MN161016WC	136	62209R	MN162421XA	155	75146L	MN186350WA	94	64000
MN126387WA	139	70010AL	MN141010	119	82648		160	76380R	MN161021	162	80219L		155	75146R	MN186350WC	94	64000
MN126387WB	139	70010AL	MN141039	178	82811	MN153250	34	13542	MN161022	162	80219R	MN162421XD	155	75146L	MN186433	102	61815L
MN126459	92	62049	MN141403	172	85300	MN153281	31	14930	MN161082WA	94	64000		155	75146R	MN186601	112	64434
MN126460	92	62046L	MN143744	11	03010A	MN153456	21	05967	MN161113	98	62232L	MN162421YA	155	75146L	MN186649	110	65131L
MN126461	92	62046R	MN143935	31	11437Q	MN153457	21	05963D	MN161114	98	62232R		155	75146R	MN186650	110	65131R
MN126465	93	62815	MN143959	23	07505	MN154877	166	84112B	MN161155	118	70319L	MN162537	157	76047	MN187171	11	03020A
MN126466	93	62815	MN145859	125	67395G	MN154878	166	84112C	MN161158	118	70319R	MN162738	144	65983G	MN187172	11	03020A
MN126467WA	92	62026		132	68197D	MN154901	162	80249L	MN161159	118	70319L	MN164188	179	83799BC	MN187173	11	03020A
MN126468	92	62049	MN150435	121	67020AL	MN154902	162	80249R	MN161160	118	70319R	MN164207	179	85124	MN187176	28	10040
MN126476	98	97162B	MN150436	121	67020AR	MN154911WA	93	62115	MN161195	164	80320L	MN165103	92	61654F	MN187177	89	48123
MN126477	138	97162C	MN150439	128	68020AL	MN154911WC	93	62115	MN161196	164	80320R	MN167634	99	61539	MN187347	29	10118
MN126478WA	137	70408	MN150440	128	68020AR	MN154912WA	94	64062	MN161197	164	80320L	MN167828	161	80196E	MN187377	1	01010A
MN126478WC	137	70408	MN150549	102	61319L	MN154912WC	95	64062	MN161198	164	80320R	MN168037	53	22415	MN190067	93	80205B
MN126479	140	70223L	MN150550	102	61319R	MN154914	138	97088	MN161236WA	137	64408	MN168179	53	22411	MN190068	93	80205C
MN126480	140	70223R	MN150551	102	61312L	MN156456	31	11400	MN161236WC	137	64408	MN168358	53	22411	MN190216	114	64369
MN126643	99	61468	MN150552	102	61312R	MN156580	30	11287	MN161297WA	92	62000	MN168453	51	21198	MR100054	18	05286
MN126674	94	64044L	MN150553	102	62630L	MN156854	25	10272	MN161535	108	63606L	MN168857	53	22558	MR103277	87	46055
MN126675	94	64044R	MN150554	102	62630R	MN158094	37	12421A	MN161536	108	63606R	MN168936	54	22592	MR103559	59	24594B

## PARTS NUMBER INDEXES

PARTS NUMBER	PAGE	PARTS NAME CODE	PARTS NUMBER	PAGE	PARTS NAME CODE	PARTS NUMBER	PAGE	PARTS NAME CODE	PARTS NUMBER	PAGE	PARTS NAME CODE	PARTS NUMBER	PAGE	PARTS NAME CODE	PARTS NUMBER	PAGE	PARTS NAME CODE
MR108290	105	61793	MR232418	45	20896	MR302270	121	67040R	MR393386	93	62991B	MR407891	78	56202R	MR450759	21	05493B
MR108999	105	61793B	MR233569	145	74065		121	67050L		95	64999C	MR407893	82	55998BX	MR450760	21	05493E
MR114871	85	45295	MR233814	194	87033		128	68040R		161	80196D	MR407894	82	55998BY	MR450765	21	05494B
MR117263	194	87668F	MR233903	145	82829	MR302271	121	67040L	MR395973	160	75717	MR417013	152	74622	MR450951	21	05494H
MR126976	37	12431	MR235515	24	08042B		121	67050R	MR395974	160	75717	MR417050	153	72221	MR452515	183	83819
MR127520	37	12421Q		79	20045		128	68040L	MR396855	94	64026B	MR417066	151	72903	MR453155	45	20896
MR128780	78	54992G		79	53035	MR303200	109	05012	MR398199	189	86527	MR417133	126	67304	MR453669	59	24589
MR129264	80	54076	MR235604	15	02886C	MR306799	105	61707	MR398203	189	86506R	MR417135	133	68135L	MR455070	66	40317
MR129462	78	54992E	MR238278	179	85133	MR306819	173	85515	MR398204	189	86506L	MR417136	133	68135R	MR455388	65	32808
MR129854	74	52330AL	MR244220	67	40145		173	85521	MR398215	191	86642	MR417195	148	63629B	MR455707	65	32833
	74	52330AR	MR244929	47	20144B	MR307081	24	08962	MR398221	191	86275R	MR417196	151	72296C	MR460082	194	87503B
MR129855	74	52340AL		80	54048	MR307082	24	08975B	MR398247	194	87049	MR417198	79	66806		194	87503C
MR129856	74	52340AR	MR244930	47	20193D	MR307570	119	82005A	MR398773	188	86972	MR417199	79	66802	MR460108	194	87191
MR129877	74	50314L	MR245808	113	71957C	MR309958	172	85324	MR399496	58	24577	MR417977	171	82012	MR460120	188	86963F
MR129878	74	50314R	MR246296	58	24067	MR312077	25	10220	MR400697	183	83391B	MR431119	18	05287	MR460296	194	87040
MR133826	90	48992B	MR246297	58	24007	MR312769	30	11294	MR402645	143	82378	MR431121	18	05288	MR460368	186	86452
MR135439	18	05188	MR246298	58	24200	MR313665	128	68050L	MR402762	142	73507D	MR431547	21	05622	MR460369	186	87086
MR146634	186	87695C	MR246299	59	24597F	MR313666	128	68050R	MR402859	143	73698D	MR431571	21	05605	MR460370	186	86446E
	194	87668C	MR246300	58	24093	MR314800	25	10449C		143	73968B	MR432939	136	63976B	MR460466	120	71546
MR147231	142	73507B	MR246301	58	24565	MR322000	137	64461B		143	73978B	MR435187	35	65036	MR460484	191	86621
	142	73507C	MR249200	74	52975E	MR322869	164	80520		143	73985	MR438948	182	73149B	MR460944	185	86218
MR161694	18	05291E	MR249625	78	54996	MR323102	21	05493G		145	74188B	MR439983	102	61818L	MR460946	185	86322D
MR171026	69	41325	MR249994	82	55998PY	MR328954	116	66945		145	74188C	MR439984	102	61818R	MR460950	185	86249
	69	41636	MR250712	160	80670	MR330017	146	78325B	MR403052	47	20110	MR439985	102	61819L	MR460951	186	86443C
MR171197	90	48992C	MR252154	183	83345B	MR330018	146	78325B	MR403173	66	32162	MR441631	139	67937L	MR460952	186	86435F
MR172162	79	53094	MR263377	61	32174B	MR330021	146	78325B	MR403236	89	48111	MR441632	139	67937R	MR460953	186	86435G
MR172647	143	83608	MR264577	123	67287C	MR330022	146	78325B	MR403237	89	48057	MR441633	139	67937	MR460954	186	86435K
MR179933	25	10321A		130	68088C	MR330703	172	85966	MR403239	89	48958C	MR441634	139	67937	MR460955	186	86439C
MR181745	148	63629	MR270770	186	86446D	MR334064	80	54326	MR403240	89	48958B	MR444250	133	68287D	MR460967	185	86322B
MR182607	119	47996C	MR271158	18	05586	MR334065	80	54073B	MR403419	66	40320AL	MR444261	151	72320L	MR460970	186	87127B
MR190951	171	82073	MR272946	67	40002	MR334068	80	54073C	MR403420	66	40320AR	MR444262	151	72320R	MR460971	185	86354
MR190954	171	81707	MR275296	161	80025	MR334282	119	82005A	MR403441	66	40399	MR444269	151	72335	MR460974	185	86435D
MR192438	166	84204	MR275300	166	84110	MR335268	114	64311D	MR403485	89	41617	MR444280	153	62506		186	86435E
MR194927	183	83602	MR280579	136	63974B	MR337852	183	83345C	MR403502	67	46036	MR444536	169	81299B	MR462051	136	63143L
MR197612	15	21809C	MR281816	34	13524D	MR342155	171	82052	MR403503	87	46043	MR444537	169	81299C	MR462052	136	63143R
MR197613	15	21809B	MR283297	186	86446F	MR342160	18	05186	MR403646	87	40611	MR446284	53	22400	MR464469	21	05607
MR200275	149	72898B	MR283903	188	87406	MR342642	18	05291BB	MR403657	89	48736A	MR448318	47	20187	MR464628	25	10288
MR201972	151	72858C	MR288150	92	62022E	MR342643	18	05291BB	MR403661	90	48861	MR448381	89	48943	MR464707	25	10510
MR203491	178	83150B		98	62211	MR360567	194	87005	MR403773	69	41603B	MR448464	87	46176	MR464708	25	10500
MR205046	78	54992H		98	62211B	MR361004	161	80196E	MR403777	69	41603C	MR449101	78	52901	MR464931	21	05494E
MR205455	71	50298B		118	63979C	MR366428	169	81274Y	MR403843	196	99211	MR449115	82	55998QX	MR464932	21	05494D
MR205902	72	51987B	MR288769	99	61427D	MR369155	89	48707	MR404538	25	10993B	MR449116	82	55998QY	MR464934	21	05494F
MR205904	74	52975B	MR297189	90	48994C	MR372530	178	83150C	MR406456	171	82076	MR449457	119	82005	MR465768	110	32705
MR206570	79	66893	MR297379	196	99201	MR378798	155	75214	MR407741	72	51986Y	MR449458	119	82040	MR466399	108	63465L
MR212315	25	10457	MR297968	87	46061	MR379216	114	64323	MR407742	72	51986X	MR449459	119	82040	MR466400	108	63465R
MR221703	164	80863	MR300009	164	80522	MR381143	145	74182J	MR407743	72	51987X	MR449901	85	45266	MR467035	118	60999E
MR223737	87	46181	MR300304	166	84110	MR384300	116	66985H	MR407821	82	55969R	MR449911	84	45024A	MR468209	104	62516C
MR223827	87	46281	MR301667	173	85515	MR390305	82	55998CY	MR407860	81	55814	MR449914	84	45003	MR471069	146	63275B
MR228924	79	82110		173	85521	MR390306	82	55998CX	MR407889	78	54900	MR450097	30	11092	MR471070	146	63275B
MR232147	59	24594C	MR301978	178	82799F	MR391631	74	52350	MR407890	78	56202L	MR450237	25	10371A	MR473000	93	62964



PARTS NUMBER INDEXES

PARTS NUMBER	PAGE	PARTS NAME CODE	PARTS NUMBER	PAGE	PARTS NAME CODE	PARTS NUMBER	PAGE	PARTS NAME CODE	PARTS NUMBER	PAGE	PARTS NAME CODE	PARTS NUMBER	PAGE	PARTS NAME CODE	PARTS NUMBER	PAGE	PARTS NAME CODE
MR473003	95	64997	MR493296	78	56256	MR503462	18	05145	MR518393	56	23138	MR525742	128	68110R	MR532892	143	73602
MR473471	99	61427C	MR493311	21	56257L	MR503807	18	05265F	MR519133	69	41350AL	MR525755	122	71046L	MR533433	140	70221L
MR473583	132	68212	MR493327	21	56257R	MR503808	18	05265H	MR519134	69	41350AR	MR525756	122	71046R	MR533434	140	70221R
MR474788	155	75111E	MR493375	76	54154	MR503809	18	05265P	MR519334	196	99010	MR525757	129	71076L	MR533775	137	64461C
MR475354	80	54304	MR493376	81	55832	MR503827	18	05412	MR519378	47	20100A	MR525758	129	71076R	MR533923	135	70598B
MR476457	87	47310A	MR493411	81	55999Y	MR503879	128	68013	MR519590	65	32715	MR525759	122	67443L	MR534025	58	24048
MR476595	69	41631	MR493412	62	51121L	MR503892	18	05016	MR519878	67	40603	MR525760	122	67443R	MR534439	59	24906
MR477080	53	22033	MR493450	62	51121R	MR503893	18	05016	MR519880	67	40699	MR525761	122	67443L	MR534545	53	22015
MR479170	116	66002L	MR493450	78	52902	MR503900	18	05014	MR519922	62	32515A	MR525762	122	67443R	MR536080	116	66981
MR479172	116	66002R	MR493468	78	52991L	MR503905	18	05015	MR520282	113	64210	MR525825	128	68120L	MR538851	44	14916
MR479372	116	66085	MR493469	78	52991R	MR503905	143	81101	MR520285	105	71122	MR525826	129	68120R		44	14918
MR479587	104	62504	MR493801	79	53012A	MR506482	171	82046	MR520287	136	71145L	MR525833	129	68147L		178	82792
MR479620	104	62516D	MR493807	79	20000A	MR506535	145	74023	MR520288	136	71145R	MR525834	129	68147R		178	82799E
MR480056	146	74311	MR493829	85	45136	MR507210	7	01384ZZ	MR520294	113	71093	MR525835	129	68253L		194	87542
MR480057	146	74311	MR493832	24	08000	MR507545	5	01286ZB	MR520295	113	71092	MR525836	129	68253R	MR539599	116	66021
MR481252	25	10210	MR493931	76	54154	MR510002	69	41421	MR520337	92	62022C	MR525837	129	68253L	MR547324	110	65023
MR481796	30	11296	MR497126	18	05532	MR510285	66	32162	MR520343	94	64001	MR525838	129	68253R	MR547327	110	65016L
MR482424	176	84633	MR497545	33	12089	MR510365	89	48121A	MR520344	94	64001	MR526083	99	61501	MR547328	110	65016R
MR482427	176	84633	MR497555	33	12296	MR510446	69	41136	MR520530	105	61711	MR526251	121	67436L	MR547329	110	63645L
MR485699	164	80540	MR497557	25	10593	MR510545	74	52140		113	64223	MR526252	122	67436R	MR547331	110	65054L
MR486153	53	22447	MR497567	33	12010	MR510683	78	54990	MR520849	136	71963C	MR526253	129	68143L	MR547333	110	65039
MR487965	121	67097D	MR497568	21	05963B	MR510741	62	51117	MR520850	136	71963D	MR526254	129	68143R	MR547335	111	73127
MR491321	62	32300L	MR497597	21	05611	MR510742	62	51117	MR520851	136	71963E	MR526268	114	64337	MR547336	110	65134
MR491322	62	32300R	MR497753	19	83023	MR510980	24	08037	MR522039	164	80356A	MR526269	114	64337	MR547339	110	65124D
MR491330	87	46504A	MR497770	21	05494J	MR512013	129	68228L	MR522055	166	84129	MR526473	121	67124L	MR547345	110	65198
MR491351	87	48756	MR497783	25	10324	MR512528	129	68228R	MR522062	166	84124	MR526474	121	67124R	MR547346	110	65191
MR491356	87	46043A	MR500042	21	05493H	MR512554	144	74006	MR522127	182	82904	MR526477	128	68033L	MR547347	111	76061L
MR491358	87	47342	MR500065	194	87501B	MR512558	142	73048B	MR522156	175	85000A	MR526478	128	68033R	MR547348	111	76061R
MR491361	87	46023	MR500065	194	87065A	MR512558	142	73003	MR522159	175	85014B	MR526777	124	67003	MR547349	111	76062B
MR491362	87	46002C	MR500330	194	87180	MR512583	142	73065	MR522414	182	83129	MR526931	119	82053L	MR547350	111	76062C
MR491363	87	46072D	MR500437	185	86282	MR512586	143	73543	MR522543	182	73149C	MR527085	71	50457	MR548490	104	62515
MR491447	67	40162	MR500596	191	86641	MR512587	142	73024	MR523317	100	61599B	MR527100	24	08042C	MR548493	102	60147C
MR491449	62	32510	MR500653	191	86275L	MR512588	142	73012	MR523429	129	68255L	MR527311	82	55981R	MR548494	102	60147B
MR491471	90	48995B	MR500925	194	87005B	MR512709	145	74069	MR523430	129	68255R	MR527312	82	55981R	MR548501	103	65009AL
MR491479	15	02726	MR500926	188	86314D	MR513023	185	86206A	MR523431	128	68028	MR527452	63	33307A	MR548701	107	63154L
MR491557	15	21831	MR500927	188	86339A	MR513046	194	87035	MR523670	121	67026L	MR527565	85	45135	MR548702	107	63154R
MR491670	90	48826	MR500928	188	86314G	MR513107	188	86967	MR523786	100	61595	MR527609	72	51037	MR548704	107	63151R
MR491911	69	41309A	MR500928	188	86314F	MR513108	188	86967	MR523996	121	67111	MR527611	72	51984	MR548705	107	63123L
MR491913	47	20157	MR500929	188	86314E	MR513236	194	87192	MR524258	155	75026L	MR527619	76	54107A	MR548706	107	63123R
MR491946	69	41433	MR500932	188	71330C	MR513316	188	82006		155	75026R	MR527672	72	51020	MR548711	107	63227L
MR491950	69	41176	MR500933	188	71330D	MR513323	188	87311	MR525054	99	61526	MR527673	72	51140	MR548712	107	63227R
MR493150	74	52972	MR500934	188	71330B	MR514734	34	13524C	MR525377	99	61534	MR527674	72	51120	MR548713	107	63251L
MR493177	74	52140	MR501771	156	75626L	MR515500	178	82641	MR525514	121	67026R	MR527676	72	51150	MR548714	107	63251R
MR493270	78	54992M	MR501772	156	75626R	MR515994	178	82739ZX	MR525704	114	64302	MR527866	24	08006	MR548715	107	63220L
MR493277	78	56267L	MR501790	156	75237	MR516125	179	85175	MR525705	114	05002	MR529673	34	13524E	MR548716	107	63220R
MR493278	78	56267R	MR501804	157	76153	MR517995	183	83821L	MR525721	129	68233L		34	13524F	MR548717	108	64444L
MR493279	78	56263L	MR501840	157	76157	MR517996	183	83821R	MR525722	129	68233R	MR529970	33	12002P	MR548718	108	64444R
MR493280	78	56263R	MR502415	157	76047	MR517997	183	83225	MR525731	121	67110L	MR529974	33	12002Q	MR548719	108	65107L
MR493295	78	56255	MR502417	182	82703	MR518369	56	23203	MR525732	121	67110R	MR532433	171	82279	MR548720	108	65107R
				182	82725C	MR518370	56	23207	MR525741	128	68110L	MR532891	142	73048C	MR548723	108	63634L

## PARTS NUMBER INDEXES

PARTS NUMBER	PAGE	PARTS NAME CODE	PARTS NUMBER	PAGE	PARTS NAME CODE	PARTS NUMBER	PAGE	PARTS NAME CODE	PARTS NUMBER	PAGE	PARTS NAME CODE	PARTS NUMBER	PAGE	PARTS NAME CODE	PARTS NUMBER	PAGE	PARTS NAME CODE
MR548724	108	63634R	MR557677	116	66022L	MR572500	151	72858D	MR589877	67	40025	MR626793	145	74089B	MR647090	160	75743L
MR548870	112	64002	MR557678	116	66022R	MR572562	169	81299D	MR590211	142	73094	MR626799	142	73108		160	75743R
MR548876	116	60209	MR557679	116	66022L	MR572768	133	68284G	MR590213	142	73094	MR627149	134	68304	MR647097	160	76330L
MR548945	104	60148L	MR557680	116	66022R	MR572769	171	83283B	MR590217	142	73000	MR627152	126	67408L	MR647099	160	76330R
MR548946	104	60148R	MR559187	144	24021	MR573537	132	68149L	MR590389	85	45143	MR627153	126	67408R	MR647101	144	74002
MR548947	106	78035	MR560132	44	14932	MR573539	124	67308L	MR590394	85	45142	MR627154	148	63614L	MR647102	143	73508
MR548949	106	78035	MR560897	37	12433A		132	68149R	MR591305	116	66032	MR627155	148	63614R	MR647111	142	73035L
MR548953	106	78227C	MR560965	39	14014Z	MR573542	132	68149R	MR592309	108	72202L	MR627156	148	63615L	MR647112	142	73035R
MR550047	142	73024L	MR561188	31	02200Q	MR573544	124	67308R	MR592310	108	72202R	MR627157	148	63615R	MR647122	142	70512
MR550048	142	73024R	MR561318	4	01196ZZ		132	68149R	MR592314	166	84120	MR627159	149	72316R	MR647124	142	70512
MR550058	142	73104		5	01286ZZ	MR573816	114	64311B	MR592990	110	63645R	MR627160	148	72013L	MR647125	142	73002L
MR550408	145	74054	MR562070	157	76174	MR574170	135	62314F	MR594612	69	41406B	MR627161	148	72013R	MR647126	142	73002R
MR550502	169	81116	MR562118	155	75099C	MR574588	139	70020R	MR594613	69	41406C	MR627174	122	67442	MR647128	142	73096
MR550503	169	81143L	MR562566	156	75644B	MR574652	166	84110A	MR594658	24	08100	MR627178	124	67311L	MR647130	142	73096
MR550504	169	81143R	MR566048	111	99202	MR574653	166	84110A	MR597046	30	11011A		131	68107L	MR647131	142	73096
MR550507	169	81156	MR566594	102	61819R	MR574655	166	84110	MR598372	166	84106A	MR627179	124	67311R	MR647138	145	74041
MR550508	169	81133	MR566793	104	62511B	MR578268	23	07707	MR598504	98	97162B		131	68107R	MR647139	145	74054
MR551259	175	85014C	MR566904	103	62650	MR578421	23	07700A	MR602020	126	67488B	MR627218	99	61445	MR647143	144	73618
MR551466	164	80384B	MR567560	51	21832P	MR578618	44	14907		133	68284E	MR627232	160	76330L	MR647144	142	73000
MR552102	30	11045	MR568306	194	87585C	MR578634	44	14925	MR606847	160	75701L	MR627241	160	76330R	MR647159	142	73007B
MR552274	34	13100	MR568309	186	87127C	MR578671	44	02902		160	75701R	MR627244	149	72898E	MR647160	142	73109
MR552783	18	05501	MR568314	188	71330D	MR578755	23	07710	MR606848	160	75701L	MR628222	155	75199	MR647161	143	73527
MR552785	18	05213	MR568478	185	83928	MR581380	53	22557		160	75701R	MR629130	155	75153L	MR647180	143	73623
MR552951	30	11020	MR568479	186	86446C	MR581381	54	22562	MR610574	160	75743L	MR629131	155	75153R	MR647190	145	74089C
MR553181	50	20998	MR568513	194	87590B	MR581382	54	22596		160	75738R	MR629132	155	75151L	MR647192	145	74089B
MR553288	58	24000	MR568517	185	86206A	MR581383	54	22595	MR619778	147	72612	MR629133	155	75151R	MR647202	142	73108
MR553817	53	22010	MR568591	185	86347		54	22595Q	MR620497	143	86515	MR630455	126	67421L	MR647347	134	68304
MR553820	53	22422	MR568629	194	87586D	MR581389	54	22595P	MR620522	143	86521L	MR630457	126	67421R	MR647348	126	67506
MR554097	65	32808	MR568755	194	87036	MR583214	175	85088	MR620524	143	86521R	MR630459	133	68249L		133	68265
MR554244	15	02701	MR568787	188	86963B	MR583216	183	83391E	MR620823	131	68107L	MR630461	133	68249R	MR647349	149	72898E
MR554311	87	46128	MR568812	194	87072	MR583461	164	80317	MR620827	131	68107R	MR631995	151	85511L	MR647351	126	67488B
MR554315	87	48856AB	MR568816	194	87045	MR583930	178	82643	MR625942	146	74321R	MR631996	151	85511R	MR647352	126	67408L
MR554316	87	48856AC	MR569000	80	54017	MR584150	104	62516B	MR626730	84	45036	MR632017	129	68252	MR647353	126	67408R
MR554368	89	48042	MR569039	80	54316	MR586022	104	62318	MR626741	143	73508	MR632497	156	75637L	MR647354	148	63614L
MR554369	69	41406B	MR569203XA	84	45003	MR586049	112	64434	MR626743	143	86515	MR632499	156	75637R	MR647355	148	63614R
MR554370	69	41406C	MR569361	72	51054L	MR586104	116	74016BB	MR626744	142	73035L	MR633314	146	74321R	MR647356	148	63615L
MR554373	69	41971		72	51054R	MR586582	102	02864R	MR626745	142	73035R	MR633500	149	72316L	MR647357	148	63615R
MR554584	90	48994C	MR569368	74	52036	MR587875	178	82542	MR626754	142	73002L	MR633738	147	72612	MR647359	149	72316R
MR554636	90	48995C	MR569369	74	52964X	MR587941	171	82038A	MR626755	142	73002R	MR634496	151	72233	MR647360	148	72013L
MR554734	47	20425	MR569370	74	52964Y	MR587944	171	82039A	MR626756	143	86521L	MR636885	157	76111	MR647361	148	72013R
MR554735	66	40026	MR569384	74	52823R		171	82119AL	MR626757	143	86521R	MR644580	148	72017L	MR647363	151	85511L
MR554740	67	40176	MR569389	74	52823L		171	82119AR	MR626763	145	74041	MR644581	149	72017R	MR647365	151	85511R
MR554860	67	40025	MR569781	82	55969L	MR587993	178	82960	MR626765	144	73618	MR644582	148	72014L	MR647375	151	72233
MR554862	87	48756	MR569783	82	55998PX	MR588018	142	71724	MR626770	145	74030	MR644583	148	72014R	MR647404	122	67442
MR555055	121	67030L	MR570436	166	84242	MR588567	171	82762	MR626771	144	74006	MR646881	144	73005	MR647405	129	68252
MR555056	121	67030R	MR570438	167	84247D		178	82748	MR626773	145	74066	MR647060	99	61445	MR647657	144	24054
MR555063	128	68030L	MR570439	166	84218		178	82799D	MR626778	142	73109	MR647061	124	67311L	MR647687	126	67421R
MR555064	128	68030R	MR571083	34	13096C	MR589635	69	41601	MR626780	143	73527	MR647062	124	67311R	MR647688	126	67421L
MR556703	122	67908L	MR571700	30	11184	MR589637	69	41699	MR626784	143	73623	MR647065	124	67308L	MR647689	133	68249L
	122	67908R	MR572112	145	83092	MR589645	87	46055	MR626792	145	74089C	MR647066	124	67308R	MR647690	133	68249R

PARTS NUMBER INDEXES

PARTS NUMBER	PAGE	PARTS NAME CODE	PARTS NUMBER	PAGE	PARTS NAME CODE	PARTS NUMBER	PAGE	PARTS NAME CODE	PARTS NUMBER	PAGE	PARTS NAME CODE	PARTS NUMBER	PAGE	PARTS NAME CODE	PARTS NUMBER	PAGE	PARTS NAME CODE
MR647739	126	67421L		132	68149L	MR959913	139	70095C	MR981397	110	65073L		35	65998	MS350014	93	62986H
MR647740	126	67421R	MR655776	124	67308R	MR961151	69	41197	MR981398	110	65073R		78	54997	MS350047	171	82207C
MR647742	133	68249L		132	68149R	MR961189	67	40017	MR988075	37	12421P		93	62994D	MS350266	178	8295A
MR647744	133	68249R	MR656138	58	24048	MR961214	15	02709	MR990414	103	65009AR		102	61399BB	MS401427	5	01282P
MR647755	84	45024A	MR656175	124	67311L	MR961235	71	50275B	MR990418	110	65054R		115	64398	MS440002	70	41997D
MR647759	84	45036		131	68107L	MR961473	90	48035	MR990420	104	62511		145	74192B		87	46291C
MR647762	144	73005	MR656176	124	67311R	MR962621	151	72296B	MR990511	108	78357L		178	85921C	MS440133	179	85293
MR647763	85	45143		131	68107R	MR962799	169	81602	MR990512	108	78357R		183	83272B	MS440501	18	05289B
MR647764	85	45142	MR656310	157	76004A	MR962850	169	81000A	MR990519	107	63126L		183	83499	MS440502	81	55993Q
MR647767	144	24054	MR656311	157	76004A	MR962933	144	74016B	MR990520	107	63126R		194	87588C		119	82694
MR647768	145	74030	MR656411	157	76036A	MR965734	182	82703A	MR990521	107	63210L	MS240125	25	10480		137	64412
MR647769	144	74006	MR656413	157	76031	MR966691	155	75027L	MR990522	107	63210R		30	11299T		137	70495C
MR647770	145	74066	MR656434	157	76004A		155	75027R	MR990523	108	63646L		71	50976B		139	70093
MR647776	144	24021	MR656437	157	76025	MR968857	25	10200A	MR990524	108	63646R		79	53098		164	80372
MR647777	143	82378	MR748283	165	80640A	MR970229	124	67322L	MR990531	107	63126L		116	66985ZC		178	85982
MR647788	84	45003	MR753562	155	75175	MR970248	124	67322R	MR990532	107	63126R		116	66987		183	83275B
MR647791	149	72316L	MR753563	155	75175	MR970269	131	68116L	MR990533	107	63210L		145	74192C		183	83352
MR648161	58	24048	MR761811	165	80640A	MR970288	131	68116R	MR990534	107	63210R		167	84298		194	87582B
MR648196	155	75175	MR770528	65	32745	MR970307	124	67322L	MR990535	108	63646L	MS240127	85	45272B	MS440503	24	08975C
MR648197	155	75175		65	32862	MR970308	124	67322R	MR990536	108	63646R		85	45272D		47	20186
MR648200	155	75199	MR777365	135	70598C	MR970309	131	68116L	MR990847	110	65138	MS240129	18	05296		76	54284
MR648662	148	72017L	MR787784	156	75641	MR970310	131	68116R	MR991187	123	80230A	MS240139	111	65969		78	54985B
MR648663	149	72017R	MR789154	144	74002	MR970563	109	05096	MR991321	123	67214L	MS240140	71	50989B		82	55993
MR648672	148	72014L	MR794191	126	67506	MR970817	139	70020L	MR991322	123	67214R	MS240141	95	64998D		99	61578
MR648673	148	72014R		133	68265	MR971002	93	62989B	MR991329	130	68032L		116	66985G		179	83569B
MR648678	149	72022L	MR796078	147	72699C	MR971764	118	63979F	MR991330	130	68032R		142	73274		179	83569C
MR648679	149	72022L	MR796079	147	72699C	MR971765	118	63986E	MR991630	105	61710		142	73287B		183	83275
MR648680	149	72022R	MR910431	9	01507	MR973541	175	85021	MR994325	39	14000A		160	75793	MS440504	18	05289C
MR648681	149	72022R	MR951418	144	74022	MR973836	175	85973B	MR996148	194	87076	MS240142	93	62199B		69	41697B
MR648687	156	75641	MR951543	152	74622	MR975089	142	73007B	MS100222	92	61989F		94	62199B	MS440522	93	62191C
MR648803	155	75153L	MR952263	183	83301	MR975151	151	72296D		101	61299B		183	83272		94	62191C
MR648804	155	75153R	MR953582	45	20510	MR975239	148	72001L		101	61299C	MS240143	115	64381C		95	64994R
MR648805	155	75151L	MR954153	114	64315L	MR975240	148	72001R		118	63981	MS240144	194	87504B		137	64412
MR648806	155	75151R	MR954154	114	64315R	MR975303	143	73703	MS100242	93	62994B	MS240148	59	24597B	MS450035	33	12088
MR648807	156	75637L	MR954887	67	40632	MR975477HC	144	73698C	MS200124	119	47996B		89	48959C	MS450036	33	12088P
MR648808	156	75637R	MR955063	72	51023L		151	72858B	MS200329	172	85983B	MS240188	155	75111B	MS450154	136	63971D
MR648811	157	76004A	MR955064	72	51023R	MR975477YE	144	73698C	MS240028	123	67291B	MS240198	18	05078	MS450156	93	62986D
MR648815	157	76111	MR955065	74	52008L	MR975728	146	63279B		130	68093B		100	61597B	MS450241	82	55991
MR648824	157	76025	MR955066	74	52008R	MR975812	143	73698E		137	70499	MS240199	166	84198	MS450973	161	80194
MR648832	157	76036A	MR955067	74	52010		188	86997BB	MS240041	93	62994C	MS240202	114	64381B	MS452028	94	62193
MR648836	157	76031	MR955683	71	50971	MR979528	185	86245		125	67399B	MS240295	15	02891B	MS452348	118	63965B
MR649412	157	76036A	MR955712	85	45127A	MR979533	185	86322C		128	68077	MS240303	114	64381C		140	70296
MR649413	157	76031	MR957917	138	97210	MR979720	182	83036C		132	68199B	MS240593	125	67398C	MS452393	93	62986C
MR652050	157	76036A	MR957918	138	97091	MR979832	182	83082	MS240085	59	24597C		132	68199C		95	64992C
MR652051	157	76031	MR958181	185	86218	MR979993HA	126	67223		71	50976C	MS240616	95	64998S		118	63965C
MR652183	157	76004A	MR958203	188	86314B	MR979993YA	126	67223		82	55999	MS240684	100	61597B	MS452405	143	73592C
MR652184	157	76025	MR958204	188	86314C	MR979994YA	126	67222		90	48996	MS241071	9	04178	MS452413	151	72291
MR654225	157	76025	MR958418	186	87105	MR979994YA	126	67222	MS240089	110	65875BB	MS241088	15	02891Z	MS470433	125	67395E
MR654344	99	61445	MR958646	120	71831	MR980563	45	20400A	MS240115	71	50989B		89	48959V		132	68197E
MR655775	124	67308L	MR958879	194	87228	MR980942	53	22423	MS240121	21	05496B	MS241187	161	80198	MS470434	125	67395F

PARTS NUMBER INDEXES

PARTS NUMBER	PAGE	PARTS NAME CODE	PARTS NUMBER	PAGE	PARTS NAME CODE	PARTS NUMBER	PAGE	PARTS NAME CODE	PARTS NUMBER	PAGE	PARTS NAME CODE	PARTS NUMBER	PAGE	PARTS NAME CODE	PARTS NUMBER	PAGE	PARTS NAME CODE
MS470475	132	68197F	MU000230	161	80193C												
MS471104	18	05291F	MU000255	121	67097B	MU240002	132	68194B	MU481194	125	67395B	1011A255	6	03470	2551A011	53	22545A
	7	01396Q		128	68076B	MU240008	116	66985ZD		132	68197B	1011A256	6	03470		53	22546A
	9	01595	MU000263	188	86969	MU240020	109	05087	MU481211	125	67395D	1052A437	11	03018	3265A002	56	23901
MS471109	7	01396S	MU000277	183	83799E	MU240062	21	05496C	MU481245	126	67496B	1052A438	11	03018	3815A143	61	32073AL
MS480003	118	63968D	MU000302	66	40388D		123	67291B		133	68289B	1052A439	11	03018	3815A144	61	32073AR
	127	67598B	MU000314	125	67394		123	67291C		133	68289C	1052A440	11	03018	3817A027	61	32043L
	133	68287B		132	68196		123	67291D		149	72089B	1052A441	11	03018		61	32043R
MS600623	25	10271B	MU000342	194	87585D		130	68093B		151	72296E	1052A442	11	03048	3817A029	61	32013L
MS660169	18	05291C	MU000343	15	02886D		130	68093C	MU481262	151	72883B	1057A033	4	01129		61	32013R
	21	05966	MU000351	194	87586C	MU240121	121	67019C	MU481269	132	68197G	1101A022	11	03013	3817A095	61	32014L
MS660171	90	48992D	MU000363	69	41383		128	68019C	MU482009	100	61599C	1110B098	11	03060	3880A008	65	32833
MS660173	18	05076		69	41389	MU240146	157	76191B	MU484003	118	60996	1115A102	11	03019	4056A037	69	41618A
MS660205	25	10978B	MU000382	66	40381	MU240147	176	84998	MU484008	167	84296B	1115A103	11	03019	4113A041	69	41300A
MS660240	29	10193	MU000390	69	41306B	MU240162	125	67398D	MU487004	99	61586C	1211A073	16	02000A	4400A384	84	45096
MS660271	18	05079		69	41393C	MU241003	183	83499	MU488002	133	68289C	1258A003	14	04226	4410A313	87	46504A
MS660272	18	05079B		69	41604B	MU241033	59	24597B		149	72898F	1355A124	26	82730	4422A054	87	47310A
MS661141	5	01287S	MU000418	85	45272E	MU241042	87	46297C	MU488006	92	62022D	1465A188	23	07892	4450A068	89	48015
MS810875	182	83201B	MU000431	183	83799B	MU340031	18	05081		92	62022F	1555A043	33	12000	4451A036	89	48085
	183	83299	MU000432	183	83799B	MU431006	66	40387		94	64012C	1570A217	34	13320	4455A252	89	48707
MS810876	182	83201B	MU000439	121	67299		69	41391		118	63979D	1588A126	44	14925P	4455A253	89	48970
	183	83299	MU000463	69	41388		69	41395		136	63979D	1600A015	24	08000	4600A154	74	50314L
MS810877	182	83201B	MU000467	66	40388B		69	41605	MU602845	18	05265G	1715A135	18	05298	4600A155	74	50314R
	183	83299	MU000468	66	40099C		69	41997B		18	05265J	1741A223	21	05412B	4600A156	74	50454L
MS810878	143	83201B	MU000585	179	85173	MU431010	155	75087	MU670003	115	64384C	1741A282	21	05449	4600A157	74	50454R
	183	83201B	MU000609	126	67496D	MU431014	79	66897	MU670021	118	60999F	1743A045	37	12981P	4605A210	74	52036
	183	83299		134	68289D		186	86439B	MU670022	115	64384C	1760A136	18	05500A	4605A211	74	52964X
MS810969	143	83201C	MU000614	121	67097C	MU431503	67	40089C	MU670023	118	60999C	1760A179	18	05149		74	52964Y
	183	83201C		128	68076C	MU431508	78	54985C		167	84291	1800A002	40	14200A	4605A212	74	52964X
MS820026	161	80162J	MU000623	125	67397C		81	55993P	MU670024	118	60999D	1800A020	40	14205P		74	52964Y
	164	80375		132	68194C		167	84292		118	65974K	1800A034	40	14224A	4605A336	74	52120
MS820027	164	80399B	MU000679	61	32182	MU435004	93	62989F	MU670025	118	65974E	1800A035	40	14304	4610A017	72	51026
MS820050	164	80399F	MU000716	161	80194	MU440009	93	62191B	MU670027	116	66954	1800A036	40	14335		75	52977
MS820071	165	80952	MU000895	87	46297B		94	62191B	MU670031	115	64384	1800A037	40	14225A	4620A055	79	53012A
MS820077	162	80189	MU000957	125	67397B		140	70287	MU670033	118	65974F	1800A038	40	14296	4625A022	80	54010A
MS820078	164	80399D		132	68194B	MU470013	149	72099	MU670035	118	65974G	1860A529	44	82522	4650A026	21	05485
MS820083	144	73694	MU000959	125	67397C	MU470040	186	86953		183	83351	1860B062	44	82522	4670A156	82	55979
MS820090	161	80162D		132	68194C	MU480022	118	65985	MU800001	82	55998D	1865A128	5	01219	4820A119	71	50971
	164	80399E	MU001123	70	41999		164	80384D	MU802644	82	55998E	2304A003	45	20500A	5211A062	103	62650
	164	80599	MU001282	99	61421	MU480032	139	70094	MU805818	162	80164	2315A012	51	21200	5251B018	110	65134
MS820964	162	80884	MU140017	67	40698		173	85595		164	80844	2324A056	45	20418	5272A005	112	72216
MS820968	161	80162F		99	61498C	MU481027	99	61586B	MU810528	164	80384C	2324A057	46	20966	5290A120	106	78366
MS851357	42	14640		121	67019B	MU481043	167	84296C	MU840017	183	83799D	2340A029	79	20010	5290A123	106	78367
MS851727	42	14640		128	68019B	MU481090	125	67392C	MU840018	183	83799F		79	53010	5290A124	106	78227B
MT134301	118	65974J	MU140035	69	41393B		132	68193C	MU840028	183	83799D	2340A052	79	20000A	5702A076	132	68212
MT406751	118	65974D		70	41999	MU481091	125	67392B	MV026287	72	51026	2500A044	48	21020A	5702A084	124	67003
MU000217	136	71963G	MU140067	62	32502B		132	68193B		74	52977	2526A001	53	22008	5716A169HA	125	67362L
MU000218	136	71963H	MU140080	66	40099B	MU481187	99	61421	MZ690193	30	11020	2528A025	53	22412		131	68115L
MU000219	136	71963F	MU140081	66	40388C	MU481193	125	67395C	1000A992	3	01090	2528A026	53	22013		125	67362R
	136	71963J	MU200079	125	67397B		132	68197C	1011A254	6	03470	2528A028	53	22014		131	68115R

PARTS NUMBER INDEXES

PARTS NUMBER	PAGE	PARTS NAME CODE	PARTS NUMBER	PAGE	PARTS NAME CODE	PARTS NUMBER	PAGE	PARTS NAME CODE	PARTS NUMBER	PAGE	PARTS NAME CODE	PARTS NUMBER	PAGE	PARTS NAME CODE	PARTS NUMBER	PAGE	PARTS NAME CODE
5716A171HA	125	67362L	7272A011	152	74526D												
	131	68115L	7403A020	136	71963B												
5716A171XA	125	67362L	7405A046	92	62050R												
	131	68115L	7405A059	92	62050L												
5716A172HA	125	67362R	7450A120	98	62234												
	131	68115R	7450A168	98	62232												
5716A172XA	125	67362R	7450A244	98	62232												
	131	68115R	7632A248WA	139	70010AR												
5716A319XA	125	67362L	7801A111	185	86119												
	131	68115L	7801A405	185	86200A												
5716A320XA	125	67362R	7813A004	194	87014A												
	131	68115R	7813A006	194	87013A												
5735A235	128	68033L	7820A032	188	86306												
5735A236	128	68033R	7820A097	188	71330B												
5735A239	129	68233L	7820A102	188	87022AB												
5735A240	129	68233R	7835A004	191	86617												
5815A038	92	62047B	7835A014	191	86621												
5900A138	99	61400	8002A272HA	142	73165A												
5908A002	99	61471	8002A353HA	142	73165												
5940A010	109	05000	8321A055	93	80294L												
6370A078	119	82612	8321A056	93	80294R												
6370A184	119	82612	8501A291	182	83036B												
6370A192	119	82606R	8501A299	182	83036B												
6370A193	119	82606L	8512A595	182	83111												
6370A204	119	82614	8522A429	182	83096												
6370A213	119	82604	8522B385	182	83096												
6370A267	119	82604	8524A037	179	85113A												
6400A143WA	92	62000	8541A360	182	83051												
6400B363WB	92	62000	8541B177	182	83051												
6400B366WB	92	62000	8612A010	171	82015												
6405A055	93	80294L	8614A002	171	82144												
6405A056	93	80294R	8637A331	178	82542												
6407A014	92	62049	8701A094	143	85402												
6410A021	94	64053	8723A130	175	85021												
6410A054	92	62037	8723A138	175	85085Z												
6430A084	93	62815															
6921A044	156	75602R															
6921A073	156	75604D															
6921A075	156	75604E															
6921A076	156	75602R															
6921A092	156	75644C															
6970A009XE	157	76003															
6970A009XJ	157	76003															
6970A009XK	157	76003															
6970A009YC	157	76003															
6970A009YG	157	76003															
6971A055XA	155	75177															
6971A055XB	155	75177															
6971A055YA	155	75177															
6971A055YB	155	75177															

## PARTS NAME INDEXES

PARTS NAME	PAGE	PARTS NAME CODE	PARTS NAME	PAGE	PARTS NAME CODE	PARTS NAME	PAGE	PARTS NAME CODE	PARTS NAME	PAGE	PARTS NAME CODE
(A)			(B)			BEARING,STEERING GEAR			BOLT,ACCEL CABLE SUPPORT	4	01181
ADJUSTER,FR SEAT BELT			BACK ASSY,FR SEAT,LH	155	75001AL	PINION	87	46039C	BOLT,ACCEL CONTROL EQUIP	24	08978
ANCHOR,LH	160	75701L	BACK ASSY,FR SEAT,RH	155	75001AR	BEARING,STEERING GEAR			BOLT,AIR BAG CONTROL EQUIP	178	85921C
ADJUSTER,FR SEAT BELT			BACK ASSY,RR SEAT	157	76004A	PINION SHAFT,UPR	87	46009	BOLT,AIR BAG EQUIP	142	73274
ANCHOR,RH	160	75701R	BAG, TOOL	196	99101	BELLOWS,STEERING GEAR	87	46023	BOLT,AIR CLEANER	30	11299
ADJUSTER,FR SEAT HEIGHT,RH	156	75602R	BALL UNIT,M/T GEARSHIFT			BELT,ALTERNATOR & OTHERS	28	10040		30	11299T
ADJUSTER,FR SEAT SLIDE	156	75604D	EQUIP	56	23103	BELT,P/S	89	48123	BOLT,AIR DAM SKIRT PANEL	93	62199B
	156	75604E	BALL,M/T POWER TRAIN	55	22999	BELT,VALVE TIMING	12	03110		93	62199C
ADJUSTER,ROCKER ARM LASH	12	03301	BALL,STARTER INR	39	14198	BEZEL,COMBINATION METER	143	81101		94	62199B
ADJUSTER,RR BRAKE SHOE			BAND,A/C CONDENSER	194	87503B	BEZEL,FR FOG LAMP,LH	93	80294L		94	62199C
SLACK,LH	74	52301L		194	87503C	BEZEL,FR FOG LAMP,RH	93	80294R	BOLT,AIR SPOILER	137	70499
ADJUSTER,RR BRAKE SHOE			BAND,ABS CONTROL EQUIP	82	55979	BLADE ASSY,WINDSHIELD WIPER	166	84110A	BOLT,ALTERNATOR	41	14799Q
SLACK,RH	74	52301R	BAND,FR AXLE	61	32174B	BLADE SET,WINDSHIELD WIPER	166	84120		41	14799S
ADJUSTING SCREW,THROTTLE				61	32174C	BLADE,CRANKSHAFT ANGLE				41	14799T
BODY SPEED	23	07708	BAND,HEATER CONTROL EQUIP	186	86982	SENSING	12	03064		41	14799U
	23	07708S	BAND,STEERING COLUMN SWITCH	171	82213B	BLADE,WINDSHIELD WIPER	166	84110	BOLT,ASSIST GRIP	146	63279B
AIR DAM KIT,SIDE,LH	136	62209L	BAND,STEERING GEAR	87	46002C	BLEEDER,FR BRAKE CALIPER	72	51002	BOLT,AUDIO EQUIP	175	85989B
AIR DAM KIT,SIDE,RH	136	62209R	BAR,FR SUSP STABILIZER	67	40603	BLEEDER,RR BRAKE CALIPER	74	52018	BOLT,BATTERY WIRING	179	83577C
AIR DAM,RR BUMPER	94	64062	BAR,JACK HANDLE EXTENSION	196	99201	BLOCK ASSY,CYLINDER	7	01300A	BOLT,BODY LOOSE PANEL	116	66985D
AIR OUTLET,INSTRUMENT PANEL			BAR,RR SUSP STABILIZER	69	41601	BLOCK,CHASSIS HARNESS				116	66985G
SIDE,LH	142	73002L	BASE,ANTENNA	175	85004	JUNCTION	183	83301		116	66985H
AIR OUTLET,INSTRUMENT PANEL			BATTERY	179	85100	BLOWER ASSY,HEATER	185	86206A		116	66985ZC
SIDE,RH	142	73002R	BEARING,ALTERNATOR ROTOR	40	14205P	BOARD,LUGGAGE ROOM				116	66985ZD
AIR OUTLET,INSTRUMENT				40	14205Q	PARTITION	151	72903	BOLT,BRAKE FLUID LINE	78	54997
PANEL,CTR	142	73003	BEARING,CLUTCH RELEASE	45	20430	BOARD,RR SEAT BACK ARMREST	157	76111	BOLT,BRAKE PEDAL	79	53098
AIR SPOILER,RR	137	70408	BEARING,CONNROD	11	03019	BOARD,TRUNK ROOM FLOOR	151	65104B	BOLT,CAMSHAFT	12	03198
ALTERNATOR ASSY	40	14200A	BEARING,CRANKSHAFT	11	03018	BODY ASSY,AIR CLEANER	30	11011A	BOLT,CONNROD	11	03006
ANTENNA ASSY	175	85000A	BEARING,FR SUSP STRUT	67	40002	BODY,HEADLAMP,LH	161	80003L	BOLT,COOLING WATER LINE	29	10198
ARM ASSY,FR SUSP,LWR LH	66	40320AL	BEARING,FR WHEEL HUB	62	32510	BODY,HEADLAMP,RH	161	80003R		29	10198Q
ARM ASSY,FR SUSP,LWR RH	66	40320AR	BEARING,M/T CASE	50	21148	BODY,THROTTLE BODY MIXING	23	07704		29	10198S
ARM ASSY,RR SUSP			BEARING,M/T DIFF CASE	54	22602	BOLT,A/C COMPRESSOR	195	87684B	BOLT,CRANK ANGLE SENSOR	44	14886
TRAILING,LH	69	41350AL	BEARING,M/T GEARSHIFT SHAFT	56	23105		195	87684C		44	14886P
ARM ASSY,RR SUSP			BEARING,M/T INPUT SHAFT	53	22008		195	87684F	BOLT,CYLINDER BLOCK	7	01397P
TRAILING,RH	69	41350AR		53	22008S		195	87684G		7	01397Q
ARM ASSY,RR SUSP,LWR	69	41300A		53	22008T	BOLT,A/C CONDENSER	194	87504B		7	01397ZZ
ARM ASSY,RR SUSP,UPR	69	41309A		53	22008W		194	87504C	BOLT,CYLINDER HEAD	5	01298P
ARM ASSY,WINDSHIELD WIPER	166	84106A	BEARING,M/T OUTPUT SHAFT	53	22409		194	87504D		5	01298X
ARMATURE,STARTER	39	14002		53	22409P		194	87504E		5	01298ZZ
ARMREST,RR SEAT	157	76003		53	22409Q	BOLT,A/C PIPING	194	87504F	BOLT,EGR EQUIP	37	12988
ASHTRAY,FLOOR CONSOLE	144	74002		53	22409U		194	87588B	BOLT,EMISSION CONTROL EQUIP	37	12978
ASHTRAY,INSTRUMENT PANEL	144	73005		53	22409V		194	87588C		37	12978P
ASPIRATOR,HEATER CONTROL				53	22409W		194	87588D	BOLT,ENG CONTROL PRESSURE		
VACUUM	185	86318	BEARING,M/T REV IDLER GEAR	53	22404	BOLT,ABS EQUIP	81	55999P	SENSOR	31	14871
			BEARING,STARTER ARMATURE,FR	39	14004		81	55999Y	BOLT,ENG CONTROL UNIT	44	82588
			BEARING,STARTER ARMATURE,RR	39	14005		82	55999	BOLT,ENG FR CASE	16	02097P

## PARTS NAME INDEXES

PARTS NAME	PAGE	PARTS NAME CODE	PARTS NAME	PAGE	PARTS NAME CODE	PARTS NAME	PAGE	PARTS NAME CODE	PARTS NAME	PAGE	PARTS NAME CODE
	16	02097Q		121	67019C	BOLT,INDEPENDENT RR SUSP			BOLT,RR BRAKE	74	52975B
	16	02097S	BOLT,FR DOOR LOCKING	125	67398B	ARM	69	41388		74	52975E
	16	02097T		125	67398C	BOLT,INLET MANIFOLD	31	11498P	BOLT,RR BUMPER	95	64998C
BOLT,ENG HANGER	31	02299		125	67398D		31	11498S		95	64998D
BOLT,ENG MOUNTING	15	02891B		125	67398E		31	11498T		95	64998E
	15	02891X	BOLT,FR DOOR WINDOW	121	67299	BOLT,INSTRUMENT PANEL	142	73287B		95	64998S
	15	02891Y	BOLT,FR DOOR WINDOW				142	73287C	BOLT,RR DOOR HINGE	128	68019B
	15	02891Z	REGULATOR	123	67291B	BOLT,KNOCK SENSOR	44	14974		128	68019C
BOLT,ENG OIL FILLER	7	04956		123	67291C	BOLT,M/T CASE	51	21199	BOLT,RR DOOR LOCKING	132	68199B
BOLT,ENG OIL PAN	9	01597PB		123	67291D		51	21199P		132	68199C
	9	01597Q	BOLT,FR END STRUCTURE	92	61989F		51	21199Q		132	68199E
	9	01597S	BOLT,FR FENDER	101	61299B		51	21199U	BOLT,RR DOOR WINDOW	128	68077
	9	01597T		101	61299C	BOLT,M/T CLUTCH CONTROL			BOLT,RR DOOR WINDOW		
	9	01597U	BOLT,FR FLOOR	111	65969	EQUIP	45	20961	REGULATOR	130	68093B
	9	01597V	BOLT,FR SEAT	155	75111B		46	20961P		130	68093C
	9	01597W		155	75111C		46	20961Q		130	68093D
	9	01597X		155	75111D	BOLT,M/T GEARSHIFT EQUIP	57	23998	BOLT,RR FLOOR	110	65875BB
BOLT,ENG ROOM COVER	116	66987		155	75111E		57	23998P	BOLT,RR MUD GUARD	140	70292
BOLT,ENG RR PLATE	9	02199P	BOLT,FR SEAT BELT	160	75703		57	23998Q	BOLT,RR SEAT	157	76191B
BOLT,ENG SUPPORT ROD	15	02886B	BOLT,FR SUSP CTR MEMBER	66	40099B		57	23998S	BOLT,RR SEAT BELT	160	76417
	15	02886C		66	40099C		57	23998T	BOLT,RR SUSP ASSIST LINK	69	41604B
	15	02886D	BOLT,FR SUSP LWR ARM	66	40388B	BOLT,M/T POWER TRAIN	55	22998		69	41604C
BOLT,ENG WIRING	183	83272		66	40388C		55	22998P	BOLT,RR SUSP COIL SPRING	70	41999
	183	83272B		66	40388D	BOLT,OIL STRAINER	9	04178	BOLT,RR SUSP LWR ARM	69	41306B
	183	83272D	BOLT,FR SUSP STABILIZER	67	40698	BOLT,OXYGEN SENSOR	44	14981		69	41306C
BOLT,EXHAUST MANIFOLD	33	12099P	BOLT,FR WHEEL HUB	62	32502	BOLT,P/S OIL LINE	90	48996	BOLT,RR SUSP STABILIZER	69	41698
	33	12099Q		62	32502B	BOLT,P/S OIL PUMP	89	48959B	BOLT,RR SUSP UPR ARM	69	41393B
	33	12099T	BOLT,FUEL FILLER LID PANEL	109	05087		89	48959C		69	41393C
BOLT,EXHAUST PIPE	34	13099C	BOLT,FUEL FILLER PIPE	18	05078		89	48959H	BOLT,RR WHEEL HUB	63	33302
	34	13099D	BOLT,FUEL INJECTOR	23	07898		89	48959K	BOLT,SPEEDOMETER GEAR	51	81931
	34	13099F	BOLT,FUEL LINE	21	05496B		89	48959M	BOLT,SPLASH SHIELD	118	63981
	34	13099G		21	05496C		89	48959N	BOLT,STARTER	39	14199
	34	13099H	BOLT,FUEL TANK	18	05296		89	48959Q	BOLT,STARTER INR	39	14183
BOLT,FENDER SHIELD	102	61399BB	BOLT,FUEL VAPOR CONTROL				89	48959S	BOLT,STEERING COLUMN	85	45272B
BOLT,FLOOR CONSOLE	145	74192B	LINE	21	05971		89	48959V		85	45272C
	145	74192C	BOLT,GEARSHIFT LINK	59	24597B	BOLT,P/S OIL PUMP INR	89	48958B		85	45272D
BOLT,FLOOR HEAT PROTECTOR	35	65998		59	24597C		89	48958C		85	45272E
BOLT,FLYWHEEL	11	03797		59	24597D	BOLT,PARKING BRAKE CABLE	71	50976B	BOLT,STEERING GEAR	87	46297B
BOLT,FR AXLE CROSSMEMBER	66	32166		59	24597F		71	50976C		87	46297C
BOLT,FR BRAKE	72	51967B	BOLT,HEADLAMP	161	80198	BOLT,PARKING BRAKE LEVER	71	50988B	BOLT,STEERING GEAR INR	87	46296B
	72	51987X	BOLT,HEATER	186	86452		71	50989C	BOLT,STEERING LOCK	119	45029
BOLT,FR BUMPER	93	62994B	BOLT,HOOD HINGE	99	61498C	BOLT,RADIATOR	25	10449B	BOLT,T/M CONNECTING	50	20999P
	93	62994C	BOLT,HOOD LOCKING	100	61597B		25	10449C		50	20999Q
	93	62994D	BOLT,HORN	176	84998	BOLT,RADIATOR SUPPORT	25	10480		50	20999S
BOLT,FR DOOR HINGE	121	67019B	BOLT,IGNITION COIL	42	14699	BOLT,ROCKER COVER	4	01198		50	20999T

PARTS NAME INDEXES

PARTS NAME	PAGE	PARTS NAME CODE	PARTS NAME	PAGE	PARTS NAME CODE	PARTS NAME	PAGE	PARTS NAME CODE	PARTS NAME	PAGE	PARTS NAME CODE
BOLT,T/M MOUNTING	15	21807B	BRACKET ASSY,ALTERNATOR,FR	40	14224A	BRACKET,INSTRUMENT PANEL			BULB,FR LAMP	162	80189
	51	21807	BRACKET ASSY,ALTERNATOR,RR	40	14225A	DRIVER SIDE,UPR	142	73065	BULB,HAZARD LAMP WIRING	171	83283B
	51	21807Q	BRACKET,A/C COMPRESSOR	194	87005		142	73048C	BULB,HEADLAMP	161	80162D
BOLT,THROTTLE BODY	23	07798P		194	87005B	BRACKET,INSTRUMENT PANEL				161	80162F
	23	07798Q	BRACKET,A/C PIPING	194	87587	SIDE,UPR	142	73048B		161	80162J
BOLT,TIMING BELT COVER	9	02994P	BRACKET,ACCEL PEDAL ARM	24	08006	BRACKET,INSTRUMENT PANEL,LH	142	73024L	BULB,HEATER CONTROL EQUIP	188	86963B
	9	02994Q	BRACKET,AIR BAG CONTROL			BRACKET,INSTRUMENT PANEL,RH	142	73024R		188	86963F
	9	02994S	UNIT	178	82817	BRACKET,JACK	111	99202	BULB,INSTRUMENT PANEL		
BOLT,TIMING BELT TRAIN	12	03285P	BRACKET,AIR CLEANER	30	11287	BRACKET,M/T CASE	51	21198	CONSOLE	144	73694
	12	03285S	BRACKET,AUDIO EQUIP	172	85966	BRACKET,M/T CLUTCH CONTROL			BULB,INSTRUMENT PANEL METER	169	81299B
BOLT,TRUNK LID HINGE	114	64381B	BRACKET,BRAKE HOSE,LH	78	56202L	EQUIP	46	20985		169	81299C
	114	64381C	BRACKET,BRAKE HOSE,RH	78	56202R	BRACKET,M/T GEARSHIFT CABLE	56	23901		169	81299D
BOLT,TRUNK LID LOCKING	115	64398	BRACKET,BRAKE HYDRAULIC			BRACKET,M/T GEARSHIFT EQUIP	57	23996	BULB,INSTRUMENT PANEL		
BOLT,VALVE GEAR TRAIN	12	03277	UNIT	81	55814	BRACKET,OXYGEN SENSOR			SWITCH	171	82279
BOLT,WATER PUMP	28	10088	BRACKET,CTR PILLAR TRIM,LH	148	72001L	CONNECTOR	44	14907	BULB,LICENSE PLATE LAMP	164	80599
BOLT,WINDSHIELD WASHER	167	84298	BRACKET,CTR PILLAR TRIM,RH	148	72001R	BRACKET,P/S OIL LINE	90	48994C	BULB,ROOM LAMP	165	80684C
BOLT,WINDSHIELD WIPER	166	84198	BRACKET,CYLINDER BLOCK	7	01384ZZ	BRACKET,P/S OIL PUMP	89	48013	BULB,STOP LAMP	164	80375
BOLT,WIRING	183	83499	BRACKET,CYLINDER BLOCK ENG			BRACKET,ROCKER COVER	4	01196ZZ	BULB,TAIL LAMP	164	80399B
	183	83499B	FR MOUNTING	15	02803	BRACKET,RR BUMPER	112	64002		164	80399D
BOOSTER ASSY,BRAKE	76	54107A	BRACKET,CYLINDER HEAD	5	01286ZB	BRACKET,RR DOOR PULL				164	80399E
BOOT KIT,FR AXLE JOINT,LH	61	32013L		5	01286ZZ	HANDLE,LH	133	68135L		164	80399F
BOOT KIT,FR AXLE JOINT,RH	61	32013R	BRACKET,ENG ROLL STOPPER	15	02701	BRACKET,RR DOOR PULL			BULB,TRUNK ROOM LAMP	165	80952
BOOT KIT,FR AXLE SHAFT,LH	61	32014L	BRACKET,ENG RR ROLL STOPPER	15	02709	HANDLE,RH	133	68135R	BUSHING ASSY,STEERING GEAR	87	46043A
BOOT,CLUTCH RELEASE			BRACKET,ENG WIRING	183	83391B	BRACKET,RR SEAT BACK,LWR	111	76014BB	BUSHING,ACCEL CONTROL EQUIP	24	08962
CYLINDER	45	20403		183	83391E	BRACKET,RR SUSP STABILIZER			BUSHING,CLUTCH PEDAL	79	20014
BOOT,CLUTCH RELEASE FORK	45	20404	BRACKET,EXHAUST MANIFOLD	33	12002P	BAR	69	41603B	BUSHING,CYLINDER BLOCK	7	01396P
BOOT,IGNITION COIL	42	14621		33	12002Q		69	41603C		7	01396Q
BOOT,M/T GEARSHIFT SHAFT	56	23106		144	74016B	BRACKET,SPARE TIRE	110	32705		7	01396S
BOW,ROOF	106	78227B	BRACKET,FLOOR CONSOLE	116	74016BB	BRACKET,STARTER,FR	39	14016	BUSHING,ENG OIL PAN	9	01595
	106	78227C	BRACKET,FLOOR CONSOLE,FR	144	74022	BRACKET,STARTER,RR	39	14017	BUSHING,FR BRAKE	72	51016
BOX ASSY,RELAY	182	82703A	BRACKET,FLOOR CONSOLE,RR	145	74023	BRACKET,STARTER HARNESS	39	14014Z	BUSHING,FR SUSP LWR ARM	66	40399
BOX,FLOOR CONSOLE,INR	144	74006	BRACKET,FR DOOR PULL HANDLE	126	67304	BRACKET,STEERING GEAR			BUSHING,FR SUSP STABILIZER	67	40699
BOX,FR DOOR TRIM,LH	126	67408L	BRACKET,FR END STRUCTURE	92	61654F	MOUNTING ROD SIDE	87	46036	BUSHING,GEARSHIFT LINK	59	24594B
BOX,FR DOOR TRIM,RH	126	67408R	BRACKET,FR FOG LAMP	93	80205B	BRACKET,T/M CASE ROLL				59	24594C
BOX,FUSE	183	83602		93	80205C	STOPPER	51	21832		59	24594D
BOX,INSTRUMENT PANEL PARCEL	142	73007B	BRACKET,FR SUSP STABILIZER			BRACKET,T/M CONNECTING	50	20998	BUSHING,INDEPENDENT RR SUSP		
BOX,RELAY	182	82703	BAR	67	40611	BRACKET,T/M MOUNTING BODY			ARM	69	41387
BOX,RR DOOR TRIM	134	68304	BRACKET,FUEL PUMP	18	05501	SIDE	15	21831	BUSHING,M/T CASE	51	21197
BOX,STEREO ACCESSORY	143	85402	BRACKET,FUEL VAPOR CANISTER	21	05605	BRACKET,TIMING BELT COVER	44	02902	BUSHING,M/T GEARSHIFT EQUIP	57	23995P
BRACE KIT,ALTERNATOR			BRACKET,GEARSHIFT LEVER	58	24007	BRACKET,TIMING BELT COVER				57	23995Q
ADJUSTING	40	14215	BRACKET,INSTRUMENT PANEL	142	73024	BRACKET,TIMING BELT COVER			BUSHING,RR BRAKE	74	52005
BRACE,RR FLOOR SIDE,LH	108	65107L	BRACKET,INSTRUMENT PANEL			HARNESS CLIP	9	02041ZZ	BUSHING,RR SUSP COIL SPRING	69	41406B
BRACE,RR FLOOR SIDE,RH	108	65107R	BACKBONE	142	73012	BREATHER,M/T CASE	50	21107		69	41406C
BRACE,RR SHELF,LH	108	72202L	BRACKET,INSTRUMENT PANEL			BRUSH,ALTERNATOR	40	14220	BUSHING,RR SUSP LWR ARM	69	41399B
BRACE,RR SHELF,RH	108	72202R	CONSOLE	143	73602	BULB,FR FOG LAMP	162	80884		69	41399C



## PARTS NAME INDEXES

PARTS NAME	PAGE	PARTS NAME CODE	PARTS NAME	PAGE	PARTS NAME CODE	PARTS NAME	PAGE	PARTS NAME CODE	PARTS NAME	PAGE	PARTS NAME CODE
BUSHING,RR SUSP STABILIZER	69	41699	CAP,FR DOOR INSIDE			CLAMP,FUEL LINE	21	05494B	CLIP,DRIP MOULDING	136	71963B
BUSHING,STEERING GEAR	87	46043	HANDLE COVER,LH	124	67308L		21	05494D		136	71963C
BUTTON,WINDSHIELD GLASS	105	61707	CAP,FR DOOR INSIDE				21	05494E		136	71963D
			HANDLE COVER,RH	124	67308R		21	05494F		136	71963E
(C)			CAP,FR SEAT SLIDE ADJUSTER	156	75644B		21	05494H		136	71963F
CABLE ASSY,BATTERY WIRING	179	85113A		156	75644C		21	05494J		136	71963G
CABLE SET,SPARK PLUG	42	14630	CAP,FUEL TANK	18	05114	CLAMP,FUEL VAPOR CONTROL				136	71963H
CABLE,ACCEL	24	08100	CAP,M/T CASE SEAL	51	21195	LINE	21	05967		136	71963J
CABLE,AUDIO EQUIP	175	85973B	CAP,P/S OIL RESERVOIR	89	48707	CLAMP,HEATER PIPING	186	86953	CLIP,ENG ROOM COVER	116	66945
CABLE,DEFOGGER	182	82904	CAP,RADIATOR	25	10210	CLAMP,PARKING BRAKE CABLE	71	50298B	CLIP,ENG ROOM INSULATOR	104	66994
CABLE,FR DOOR INSIDE			CAP,RADIATOR CONDENSER TANK	25	10220	CLAMP,SPARE TIRE CARRIER	65	32715	CLIP,FLOOR CONSOLE	145	74188B
LOCK,LH	124	67330L	CAP,ROCKER SHAFT	13	03358	CLIP SET,FR BRAKE	72	51140		145	74188C
CABLE,FR DOOR INSIDE			CAP,RR BRAKE	74	52977	CLIP SET,RR BRAKE	74	52140		145	74188D
LOCK,RH	124	67330R	CAP,RR DOOR ARMREST	133	68265	CLIP,A/C PIPING	194	87585C	CLIP,FLOOR TRIM	149	72898B
CABLE,FUEL FILLER LID			CAP,RR DOOR INSIDE				194	87585D		149	72898D
LOCK RELEASE	114	05002	HANDLE COVER,LH	132	68149L	CLIP,ABS EQUIP	82	55998BX		149	72898E
CABLE,GEARSHIFT	59	24906	CAP,RR DOOR INSIDE				82	55998BY		149	72898F
CABLE,HOOD LOCK RELEASE	99	61414	HANDLE COVER,RH	132	68149R		82	55998CX	CLIP,FOOTREST	79	66806
CABLE,PARKING BRAKE,RR LH	71	50265L	CAP,RR WHEEL HUB	63	33303		82	55998CY	CLIP,FR BRAKE	72	51984
CABLE,PARKING BRAKE,RR RH	71	50265R	CAP,THROTTLE BODY INR	23	07793		82	55998D	CLIP,FR BUMPER	92	62022B
CABLE,SPARK PLUG,NO.1	42	14631	CAP,WINDSHIELD WASHER TANK				82	55998E		92	62022C
CABLE,SPARK PLUG,NO.3	42	14633	FILLER	166	84204		82	55998PX		92	62022D
CABLE,TRUNK LID LOCK			CAP,WINDSHIELD WIPER PIVOT	166	84112B		82	55998PY		92	62022E
RELEASE	114	64302		166	84112C		82	55998QX		92	62022F
CALIPER KIT,FR BRAKE,LH	72	51023L	CARTRIDGE KIT,P/S OIL PUMP	89	48015	CLIP,ACCEL CONTROL EQUIP	24	08977	CLIP,FR DOOR	121	67097B
CALIPER KIT,FR BRAKE,RH	72	51023R	CASE ASSY,CYLINDER BLOCK,FR	16	02000A		30	11285		121	67097C
CALIPER KIT,RR BRAKE,LH	74	52008L	CASE,CRANKSHAFT RR OIL SEAL	7	03017	CLIP,AIR CLEANER				121	67097D
CALIPER KIT,RR BRAKE,RH	74	52008R	CASE,M/T	50	21100	CLIP,AIR INLET GRILLE	135	70598B	CLIP,FR DOOR LOCKING	125	67395B
CAMSHAFT	12	03100	CASE,M/T DIFF	54	22600		135	70598C		125	67395C
CANISTER,FUEL VAPOR	21	05607	CASE,THERMOSTAT	29	10100	CLIP,BODY WIRING	183	83225		125	67395D
CAP ASSY,ENG OIL FILLER	4	04903A	CENTER BOLT,CRANKSHAFT			CLIP,BRAKE BOOSTER	76	54291		125	67395E
CAP,AIR SPOILER	137	70498	PULLEY	11	03013	CLIP,BRAKE FLUID LINE	78	54992		125	67395F
CAP,BATTERY TERMINAL	179	85124	CHECK VALVE,FUEL VAPOR				78	54992B		125	67395G
CAP,BRAKE FLUID RESERVOIR	80	54304	CONTROL	21	05611		78	54992D	CLIP,FR DOOR TRIM	126	67496B
CAP,CLUTCH RELEASE CYLINDER			CHECK,FR DOOR	124	67003		78	54992E		126	67496D
BLEEDER SCREW	45	20412	CHECK,RR DOOR	132	68212		78	54992G	CLIP,FR DOOR WINDOW		
CAP,CYLINDER BLOCK	7	01395P	CIGAR LIGHTER,FLOOR CONSOLE	145	82829		78	54992H	REGULATOR	123	67201
	7	01395Q	CLAMP,A/C CONDENSER	194	87590B		78	54992J	CLIP,FR PILLAR TRIM	149	72099
CAP,CYLINDER HEAD	5	01296	CLAMP,A/C PIPING	194	87586C		78	54992M	CLIP,FUEL FILLER LID		
CAP,DISC WHEEL,CTR	65	32808		194	87586D	CLIP,BRAKE PEDAL	79	53094	LOCKING	109	05096
CAP,FOOTREST	79	66893	CLAMP,AIR CLEANER	30	11297Q	CLIP,CLUTCH FLUID LINE	47	20957	CLIP,FUEL FILLER PIPE	18	05076
CAP,FR BRAKE CALIPER				30	11297S	CLIP,CLUTCH M/CYL	47	20194	CLIP,FUEL LINE	21	05493B
BLEEDER	72	51026	CLAMP,AIR CLEANER INR	30	11296	CLIP,CLUTCH RELEASE BEARING				21	05493CJ
CAP,FR DOOR ARMREST	126	67506	CLAMP,FUEL FILLER PIPE	18	05079	RETURN	45	20415		21	05493CK
				18	05079B	CLIP,COOLING WATER LINE	29	10193		21	05493E

PARTS NAME INDEXES

PARTS NAME	PAGE	PARTS NAME CODE	PARTS NAME	PAGE	PARTS NAME CODE	PARTS NAME	PAGE	PARTS NAME CODE	PARTS NAME	PAGE	PARTS NAME CODE
	21	05493G	CLIP,RADIATOR CONDENSER			CLIP,TRUNK LID LOCKING	115	64396	COVER,AIR CLEANER	30	11045
	21	05493H	TANK	25	10978B	CLIP,TRUNK ROOM TRIM	151	72858B	COVER,COMBINATION METER		
	21	05493J	CLIP,RADIATOR GRILLE	98	62211		151	72858C	HOOD	169	81116
CLIP,FUEL TANK	18	05291BB		98	62211B		151	72858D	COVER,ENG FR MOUNTING HOLE	15	02832
	18	05291C	CLIP,RADIATOR PIPING	25	10993B	CLIP,WINDSHIELD WASHER	167	84296B	COVER,ENG OIL PAN BOLT HOLE	9	01507
	18	05291E	CLIP,RR AXLE BRAKE TUBE	78	52997		167	84296C	COVER,ENG OIL PUMP	16	04007
	18	05291F	CLIP,RR BRAKE	74	52972	CLOCK,DIGITAL	169	81602	COVER,ENG ROOM SIDE,LH	116	66002L
CLIP,FUEL VAPOR CONTROL			CLIP,RR BUMPER	94	64012C	CLUTCH ASSY,A/C COMPRESSOR	194	87013A	COVER,ENG ROOM SIDE,RH	116	66002R
LINE	21	05966		94	64012E	CLUTCH KIT,A/C COMPRESSOR			COVER,ENG ROOM UNDER,CTR	116	66021
CLIP,GEARSHIFT LINK	59	24589	CLIP,RR DOOR	128	68076B	SERVICE	194	87180	COVER,ENG ROOM UNDER,FR LH	116	66022L
CLIP,HEADLINING	147	72699B		128	68076C	CLUTCH KIT,STARTER PINION & REDUCTION	39	14024	COVER,ENG ROOM UNDER,FR RH	116	66022R
	147	72699C	CLIP,RR DOOR LOCKING	132	68197B	CLUTCH,STARTER OVERRUNNING	39	14025	COVER,ENG ROOM UNDER,RR	116	66032
CLIP,HEATER	186	86446B		132	68197C	COIL,A/C COMPRESSOR	194	87192	COVER,EXHAUST MANIFOLD	33	12012P
	186	86446C		132	68197D	COIL,IGNITION	42	14610	COVER,FLOOR CONSOLE SIDE	145	74054
	186	86446D		132	68197E	COLLAR,AIR CLEANER	30	11294	COVER,FR BRAKE DISC,LH	62	51121L
	186	86446E		132	68197F	COLLAR,EXHAUST PIPE	34	13012B	COVER,FR BRAKE DISC,RH	62	51121R
	186	86446F		132	68197G		34	13012C	COVER,FR BUMPER	92	62026
CLIP,HEATER CONTROL EQUIP	188	86978	CLIP,RR DOOR TRIM	133	68289B	COLLAR,GEARSHIFT LINK	58	24565	COVER,FR DOOR DELTA,INR	139	67937
CLIP,HEATER CONTROL PANEL	188	86997BB		133	68289C	COLLAR,RR SUSP COIL SPRING	69	41971	COVER,FR DOOR DELTA,INR LH	139	67937L
CLIP,HEATER DUCT	191	86461		134	68289D	COLUMN ASSY,STEERING	85	45127A	COVER,FR DOOR DELTA,INR RH	139	67937R
CLIP,HOOD	99	61586B	CLIP,RR DOOR WINDOW			COMPRESSOR ASSY,A/C	194	87014A	COVER,FR DOOR INSIDE		
	99	61586C	REGULATOR	130	68092	CONDENSER ASSY,A/C			HANDLE,LH	124	67311L
CLIP,HOOD INSULATOR	99	61421	CLIP,RR END PANEL GARNISH	137	64461B	REFRIGERANT	194	87016A	COVER,FR DOOR INSIDE		
CLIP,HOOD LOCKING	100	61599B		137	64461C	CONNECTING ROD ASSY	11	03010A	HANDLE,RH	124	67311R
	100	61599C	CLIP,RR END TRIM	151	72883B	CONNECTOR,JUNCTION BLOCK,LH	183	83821L	COVER,FR GRILLE SIDE	98	62234
CLIP,INSTRUMENT PANEL AIR			CLIP,RR PILLAR TRIM	149	72089B	CONNECTOR,JUNCTION BLOCK,RH	183	83821R	COVER,FR SEAT ANCHOR,RR	155	75199
OUTLET	143	73968B	CLIP,RR SHELF TRIM	151	72296B	CONSOLE,FLOOR,FR	145	74041	COVER,FR SEAT BACK,LH	155	75146L
CLIP,INSTRUMENT PANEL				151	72296C	CONSOLE,FLOOR,RR	145	74030	COVER,FR SEAT BACK,RH	155	75146R
CONSOLE	143	73698D		151	72296D	CONTROL UNIT,COOLING FAN			COVER,FR SEAT BELT		
	143	73698E		151	72296E	MOTOR DRIVE	26	82730	SASH GUIDE	160	75717
	144	73698C	CLIP,RR VIEW MIRROR	139	70095C	CONTROL UNIT,ENG	44	82522	COVER,FR SEAT CUSHION,LH	155	75147L
CLIP,INSTRUMENT PANEL SIDE			CLIP,RR WINDOW MOULDING	113	71959B	CONTROL UNIT,RELAY	178	82641	COVER,FR SEAT CUSHION,RH	155	75147R
TRIM	143	73985		113	71959C	CONTROL UNIT,SRS DIAGNOSIS	178	82811	COVER,FR SEAT HINGE,LH	155	75151L
CLIP,INSTRUMENT PANEL UNDER			CLIP,SCUFF PLATE	148	63629	CONTROL UNIT,THEFTPROOF	178	82960	COVER,FR SEAT HINGE,RH	155	75151R
TRIM	143	73978B		148	63629B	CONTROL UNIT,TIME & ALARM	178	82542	COVER,FR SEAT SIDE		
CLIP,KNOCK SENSOR	44	14973	CLIP,SIDE AIR DAM	136	63976B	CONTROLLER ASSY,AUTO A/C	188	87022AB	SHIELD,LH	155	75153L
CLIP,P/S OIL LINE	90	48992B	CLIP,SIDE MOULDING	136	71975B	CONTROLLER ASSY,HEATER	188	86243A	COVER,FR SEAT SIDE		
	90	48992C	CLIP,SPLASH SHIELD	118	63979B	CONTROLLER,HEATER UNIT			SHIELD,RH	155	75153R
	90	48992D		118	63979C	DAMPER	188	86232	COVER,FR SUSP LWWR		
	90	48992G		118	63979D	CONVERTER ASSY,CATALYTIC	33	12200A	ARM BALL JOINT	66	40317
CLIP,PARKING BRAKE CABLE	71	50275		118	63979F	CORE,HEATER	185	86245	COVER,FR SUSP STRUT	67	40021C
	71	50275B		136	63979D	CORE,RR BUMPER	94	64017	COVER,GEARSHIFT LEVER	144	24021
	71	50275D	CLIP,STEERING GEAR INR	87	46281	COVER ASSY,CLUTCH	45	20500A	COVER,HARNESS CONNECTOR	183	83819
	71	50275E	CLIP,STEERING GEAR PISTON	87	46055	COVER,A/C EVAPORATOR	194	87040	COVER,HEADLAMP BULB SOCKET	161	80025
	71	50275G	CLIP,TRUNK LID HINGE	114	64369				COVER,HOOD LATCH	99	61539

PARTS NAME INDEXES

PARTS NAME	PAGE	PARTS NAME CODE	PARTS NAME	PAGE	PARTS NAME CODE	PARTS NAME	PAGE	PARTS NAME CODE	PARTS NAME	PAGE	PARTS NAME CODE
COVER,INSTRUMENT PANEL			CUSHION ASSY,FR SEAT,LH	155	75004AL	DUCT,FOOT HEATER,LH	191	86275L	FENDER SHIELD,FR LH	175	85014C
SIDE,LH	142	73035L	CUSHION ASSY,FR SEAT,RH	155	75004AR	DUCT,FOOT HEATER,RH	191	86275R	FENDER SHIELD,FR RH	102	61303L
COVER,INSTRUMENT PANEL			CUSHION ASSY,RR SEAT	157	76036A	DUCT,HEATER AIR INTAKE	185	86282	FENDER,FR LH	101	61110R
SIDE,RH	142	73035R	CUSHION,BODY LOOSE PANEL	116	66981	DUCT,RR VENTILATOR	191	86621	FENDER,FR RH	101	61110R
COVER,M/T CASE BREATHER			CUSHION,FLOOR CONSOLE	145	74061	DUCT,SIDE DEFROSTER,LH	189	86506L	FILM,FR DOOR WATERPROOF,LH	122	67908L
HOLE	50	21112P	CUSHION,FUEL TANK PUMP	18	05213	DUCT,SIDE DEFROSTER,RH	189	86506R	FILM,FR DOOR WATERPROOF,RH	122	67908R
COVER,M/T CASE UNDER	50	21116	CUSHION,GLOVEBOX	142	73507B	DUCT,VENTILATOR,CTR	191	86641	FILM,RR DOOR WATERPROOF,LH	129	68228L
COVER,M/T SELECT SHAFT	56	23133P		142	73507C	DUCT,VENTILATOR AIR			FILM,RR DOOR WATERPROOF,RH	129	68228R
	56	23133Q		142	73507D	DISTRIBUTION	191	86642	FILTER ASSY,FUEL TANK	18	05210A
COVER,RELAY BOX	182	82725B	CUSHION,STEERING GEAR	87	46072D	(E)			FILTER,BRAKE FLUID		
	182	82725C	CYLINDER & KEY SET,LOCK	119	82604	E-RING,SPEEDOMETER DRIVEN			RESERVOIR	80	54017
COVER,ROCKER	4	01100	CYLINDER ASSY,BRAKE MASTER	80	54010A	GEAR	51	81320	FITTING,COOLING WATER INLET		
COVER,RR DOOR INSIDE			CYLINDER ASSY,CLUTCH MASTER	47	20100A	ELEMENT,AIR CLEANER	30	11020	HOSE	29	10118
HANDLE,LH	131	68107L	CYLINDER ASSY,CLUTCH			END ASSY,TIE ROD	87	47310A	FITTING,COOLING WATER		
COVER,RR DOOR INSIDE			RELEASE	45	20400A	ENGINE ASSY,SHORT	1	01010A	OUTLET HOSE	6	10113
HANDLE,RH	131	68107R	CYLINDER KIT,BRAKE MASTER	80	54020	ENGINE HANGER	31	02200P	FLANGE,CRANKSHAFT SPROCKET	12	03024
COVER,RR SEAT BACK	157	76025	CYLINDER KIT,CLUTCH MASTER	47	20110		31	02200Q	FLOAT,WINDSHIELD WASHER		
COVER,RR SEAT CUSHION	157	76031	CYLINDER KIT,CLUTCH RELEASE	45	20410	EVAPORATOR,A/C	186	87105	TANK	166	84218
COVER,RR VENTILATOR	191	86617	CYLINDER,CAMSHAFT POSITION			EXTENSION,QTR PANEL,LWR OTR			FLOOR,FR	110	65023
COVER,STEERING COLUMN	85	45135	SENSING	12	03122	LH	107	63251L	FLOOR,RR	110	65134
COVER,STEERING COLUMN DASH			CYLINDER,FR DOOR LOCK,LH	119	82606L	EXTENSION,QTR PANEL,LWR OTR			FLYWHEEL ASSY	11	03030A
PANEL	85	45136	CYLINDER,FR DOOR LOCK,RH	119	82606R	RH	107	63251R	FOOTREST	79	66802
COVER,STEERING COLUMN,LWR	85	45142	CYLINDER,STEERING LOCK	119	82612	EXTENSION,RR FLOOR	110	65138	FORK,CLUTCH RELEASE	45	20422
COVER,STEERING COLUMN,UPR	85	45143	CYLINDER,TRUNK LID LOCK	119	82614	EXTENSION,RR FLOOR			FORK,M/T GEARSHIFT 1ST		
COVER,STEERING GEAR RACK			(D)			SIDEMEMBER,LH	110	65131L	& 2ND	56	23143
SUPPORT	87	46061	DAM,RR WINDOW	113	64299	EXTENSION,RR FLOOR			FORK,M/T GEARSHIFT 3RD		
COVER,STEERING WHEEL,LWR	84	45003	DAM,WINDSHIELD	105	61799	SIDEMEMBER,RH	110	65131R	& 4TH	56	23145
COVER,TIE ROD END	87	47312	DAMPER,FR DOOR	122	67906	EXTENSION,UPR FRAME,INR	102	60147B	FORK,M/T GEARSHIFT 5TH		
COVER,TIMING BELT	9	02007P	DAMPER,FR SUSP STRUT	67	40017	& REV	102	60147C	FRAME,FENDER SHIELD,UPR INR		
	9	02007Q	DAMPER,HOOD	99	61427C	LH	104	60148L	LH	102	61319L
COVER,TIMING BELT UNDER	9	02012	DAMPER,RR DOOR	129	68215	EXTENSION,UPR FRAME,OTR LH	104	60148R	FRAME,FENDER SHIELD,UPR INR		
COVER,WINDSHIELD WIPER ARM			DAMPER,RR SHOCK ABSORBER	69	41421	EXTENSION,UPR FRAME,OTR RH	104	60148R	RH	102	61319R
HEAD	166	84116	DAMPER,TRUNK LID	114	64311B	EYEBOLT,BRAKE FLUID LINE	78	54996	FRAME,FR SEAT BACK,LH	155	75027L
CRANKSHAFT	11	03000		114	64311C	EYEBOLT,M/T CLUTCH CONTROL			FRAME,FR SEAT BACK,RH	155	75027R
CROSSMEMBER,FR AXLE,NO.1	66	32162	DASH PANEL	104	62511	EQUIP	45	20896	FRAME,FR SEAT CUSHION,LH	155	75026L
CROSSMEMBER,FR DECK	116	60209		104	62511B	EYEBOLT,P/S OIL LINE	90	48995B	FRAME,FR SEAT CUSHION,RH	155	75026R
CROSSMEMBER,FR FLOOR,FR LH	110	65073L	DISC,CLUTCH	45	20510	(F)			FUEL PUMP ASSY	18	05500A
CROSSMEMBER,FR FLOOR,FR RH	110	65073R	DISC,FR BRAKE	62	51117	FACE KIT,FR BUMPER	92	62000	FUEL TANK	18	05100
CROSSMEMBER,FR FLOOR,RR LH	110	65016L	DISC,RR BRAKE	63	52111	FACE KIT,RR BUMPER	94	64000	FULCRUM,CLUTCH RELEASE FORK	45	20423
CROSSMEMBER,FR FLOOR,RR RH	110	65016R	DUCT,AIR CLEANER INTAKE	30	11089	FAN & MOTOR KIT,HEATER	185	86218	FUSE,CHASSIS WIRING	183	83299
CROSSMEMBER,HEADLAMP			DUCT,AIR CLEANER TO			FAN,A/C CONDENSER	194	87033	FUSE,INSTRUMENT PANEL		
SUPPORT	102	62639	THRITTLE BODY	30	11184	FAN,COOLING	25	10500	WIRING	143	83201B
CROSSMEMBER,RR FLOOR	110	65124D				FEEDER,ANTENNA	175	85014B		143	83201C
CROSSMEMBER,RR FLOOR,LWR	110	65198									
CUP,RR BRAKE SHOE SPRING	74	52321									

## PARTS NAME INDEXES

PARTS NAME	PAGE	PARTS NAME CODE	PARTS NAME	PAGE	PARTS NAME CODE	PARTS NAME	PAGE	PARTS NAME CODE	PARTS NAME	PAGE	PARTS NAME CODE
	182	83201B	GASKET,FUEL TANK GAUGE	18	05259	GEAR,M/T OUTPUT SHAFT			GROMMET,FR DOOR ARMREST	127	67598B
	183	83201C	GASKET,FUEL TANK PUMP	18	05261	1ST SPEED	53	22411	GROMMET,FR DOOR LOCKING	125	6739A
FUSIBLE LINK	179	83799BC	GASKET,INLET MANIFOLD	31	11410	GEAR,M/T OUTPUT SHAFT			GROMMET,FR DOOR TRIM	126	67495
	183	83799B	GASKET,LICENSE PLATE LAMP			2ND SPEED	53	22412	GROMMET,FR MUD GUARD	140	70298
	183	83799D	BASE	164	80522	GEAR,M/T OUTPUT SHAFT			GROMMET,FUEL TANK	18	05288
	183	83799E	GASKET,M/T CASE PLUG	50	21134	3RD SPEED	53	22413	GROMMET,HEADLAMP	161	80196D
	183	83799F		50	21134P	GEAR,M/T OUTPUT SHAFT				161	80196E
			GASKET,M/T GEARSHIFT EQUIP	57	23991	4TH SPEED	53	22414	GROMMET,HOOD LOCKING	100	61595
(G)				57	23991P	GEAR,M/T OUTPUT SHAFT			GROMMET,LICENSE PLATE LAMP	164	80865
GARNISH KIT,RR END PANEL	137	64408	GASKET,M/T POWER TRAIN	55	22997	5TH SPEED	53	22418	GROMMET,FR DOOR TRIM	71	50971
GARNISH,DEFROSTER	143	86515	GASKET,OIL STRAINER	9	04161	GEAR,M/T OUTPUT SHAFT REV	53	22447	GROMMET,RR BUMPER	95	64999C
GARNISH,FR BUMPER,LH	92	62050L	GASKET,P/S OIL LINE	90	48983	GEAR,M/T REV IDLER	53	22415	GROMMET,RR DOOR LOCKING	132	68196
GARNISH,FR BUMPER,RH	92	62050R	GASKET,PCV VALVE	4	01129	GEAR,SPEEDOMETER DRIVEN	51	81337	GROMMET,RR DOOR TRIM	133	68287B
GARNISH,FR DECK,LH	135	60212L	GASKET,ROCKER COVER	4	01110	GEAR,STARTER REDUCTION	39	14037		133	68287D
GARNISH,FR DECK,RH	135	60212R	GASKET,RR BUMPER	94	64026B	GEAR,STARTER REDUCTION			GROMMET,RR VIEW MIRROR	139	70094
GARNISH,FR LICENSE PLATE	93	62815		94	64026C	INTERNAL	39	14038	GROMMET,RR WINDOW MOULDING	113	71957B
GARNISH,FR PILLAR,LH	136	63143L	GASKET,RR COMBINATION LAMP	164	80317	GEAR,STARTER REDUCTION				113	71957C
GARNISH,FR PILLAR,RH	136	63143R	GASKET,STARTER INR	39	14034	PINION	39	14039	GROMMET,SIDE AIR DAM	136	63974B
GARNISH,RR DOOR,LH	129	68255L	GASKET,THROTTLE BODY	23	07710	GLASS,COMBINATION METER	169	81133	GROMMET,SPEAKER	173	85595
GARNISH,RR DOOR,RH	129	68255R	GASKET,TIMING BELT COVER	9	02999SB	GLASS,FR DOOR WINDOW,LH	121	67110L	GROMMET,SPLASH SHIELD	118	63968D
GARNISH,RR SHELF SPEAKER,LH	151	85511L		9	02999SC	GLASS,FR DOOR WINDOW,RH	121	67110R		118	63968E
GARNISH,RR SHELF SPEAKER,RH	151	85511R		9	02999SD	GLASS,RR DOOR STATIONARY			GROMMET,STEERING COLUMN	85	45266
GASKET KIT,ENG OVERHAUL	2	01070		9	02999SE	WINDOW,LH	128	68120L	GROMMET,STEERING COLUMN		
GASKET KIT,ENG OVERHAUL,UPR	2	01080		9	02999SF	GLASS,RR DOOR STATIONARY			COVER	85	45295
GASKET,AIR CLEANER AIR FLOW				9	02999SH	WINDOW,RH	129	68120R	GROMMET,TAIL LAMP	164	80384B
SENSOR	30	11071		9	02999SJ	GLASS,RR DOOR WINDOW,LH	128	68110L		164	80384C
GASKET,AIR SPOILER SIDE,LH	137	70414L		9	02999SK	GLASS,RR DOOR WINDOW,RH	128	68110R		164	80384D
GASKET,AIR SPOILER SIDE,RH	137	70414R		9	02999SM	GLASS,RR WINDOW	113	64210	GUIDE,ENG OIL LEVEL GAUGE	7	04912
GASKET,BRAKE FLUID LINE	78	54989	GASKET,WINDSHIELD WASHER			GLASS,WINDSHIELD	105	61710	GUIDE,EXHAUST VALVE	6	03470
GASKET,CLUTCH RELEASE			TANK INLET	166	84233	GLOVEBOX	143	73508	GUIDE,FR SEAT HEADREST	155	75175
CYLINDER	45	20418	GAUGE UNIT,FUEL TANK	18	05145	GRILLE,FR BUMPER	92	62049	GUIDE,INLET VALVE	5	03460
GASKET,CYLINDER HEAD	5	01210	GAUGE UNIT,WATER			GRILLE,RADIATOR,LH	98	62232L			
GASKET,EGR VALVE	37	12410	TEMPERATURE	29	10801	GRILLE,RADIATOR,RH	98	62232R	(H)		
GASKET,ENG OIL FILLER CAP	4	04907	GAUGE,ENG OIL LEVEL	7	04911	GRILLE,RADIATOR	98	62232	HANDLE,FR DOOR INSIDE,LH	125	67362L
GASKET,ENG OIL PAN			GEAR & LINK ASSY,P/S	87	46504A	GRILLE,SIDE DEFROSTER,LH	143	86521L	HANDLE,FR DOOR INSIDE,RH	125	67362R
DRAIN PLUG	9	01521	GEAR KIT,M/T DIFF	54	22610	GRILLE,SIDE DEFROSTER,RH	143	86521R	HANDLE,FR DOOR OUTSIDE,LH	124	67322L
GASKET,EXHAUST MANIFOLD	33	12010	GEAR,ENG OIL PUMP DRIVE	16	04015	GRIP,ROOF INSIDE ASSIST	146	78325B	HANDLE,FR DOOR OUTSIDE,RH	124	67322R
GASKET,EXHAUST PIPE	34	13010B	GEAR,ENG OIL PUMP DRIVEN	16	04016	GROMMET,AIR SPOILER	137	70496C	HANDLE,FUEL FILLER LID LOCK		
	34	13010C	GEAR,M/T DIFF DRIVE	54	22605	GROMMET,BODY	118	60996	RELEASE	114	05011B
	34	13010D	GEAR,M/T INPUT SHAFT			GROMMET,BODY LOOSE PANEL	116	66979	HANDLE,HOOD LOCK RELEASE	99	61445
	34	13010E	3RD SPEED	53	22013	GROMMET,BRAKE FLUID LINE	78	54988	HANDLE,RR DOOR INSIDE,LH	131	68115L
GASKET,FR SIDE TURN			GEAR,M/T INPUT SHAFT			GROMMET,DOOR WIRING	183	83345A	HANDLE,RR DOOR INSIDE,RH	131	68115R
SIGNAL LAMP	162	80222	4TH SPEED	53	22014		183	83345C	HANDLE,RR DOOR OUTSIDE,LH	131	68116L
GASKET,FUEL FILLER NECK	18	05007	GEAR,M/T INPUT SHAFT			GROMMET,FLOOR	118	65985	HANDLE,RR DOOR OUTSIDE,RH	131	68116R
GASKET,FUEL TANK	18	05286	5TH SPEED	53	22015	GROMMET,FR BUMPER	93	62991B	HANGER,EXHAUST MUFFLER	34	13524C

## PARTS NAME INDEXES

PARTS NAME	PAGE	PARTS NAME CODE	PARTS NAME	PAGE	PARTS NAME CODE	PARTS NAME	PAGE	PARTS NAME CODE	PARTS NAME	PAGE	PARTS NAME CODE
	34	13524D	HOLDER,INSTRUMENT PANEL			HOSE,RADIATOR CONDENSER			JOINT KIT,P/S OIL		
	34	13524E	CONSOLE CUP	144	73618	TANK	25	10271B	PUMP SUCTION	89	48042
	34	13524F	HOLDER,M/T CASE MAGNET	50	21128	HOSE,ROCKER COVER BREATHER	4	01115	JOINT, BRAKE FLUID LINE	78	54990
HARNES,CHASSIS,FR	182	83036B	HOLDER,RR DOOR WINDOW GLASS	128	68013	HOSE,ROCKER COVER PCV	4	01915	JOINT,CYLINDER HEAD	5	01214
	182	83036C	HOLDER,SUNVISOR	146	74311	HOSE,RR BRAKE BODY SIDE	78	52901	JOINT,WINDSHIELD WASHER	167	84295B
HARNES,CONTROL	182	83051	HOOD	99	61400	HOSE,RR BRAKE WHEEL SIDE	78	52902		167	84295C
HARNES,FLOOR	183	83902B	HOOK,FR FLOOR CARPET	152	74526D	HOSE,THROTTLE BODY WATER				167	84295D
	183	83902C	HOOK,FUEL FILLER LID	109	05012	FEED	29	10711			
HARNES,FOG LAMP	182	83072	HOOK,RR SEAT	157	76047	HOSE,THROTTLE BODY WATER			(K)		
HARNES,FR DOOR	182	83065	HORN	176	84633	RETURN	29	10712	KEY,CRANKSHAFT	11	03789
HARNES,FUEL GAUGE UNIT	182	83082	HOSE & PIPE			HOUSING,CLUTCH	51	21200	KEY,DOOR LOCK TRANSMITTER	119	82648
HARNES,FUEL PUMP	19	83023	ASSY,EMISSION CONTROL	37	12433A	HOUSING,M/T GEARSHIFT	56	23016	KNOB,AUDIO EQUIP	172	86324
HARNES,HEATER	185	83928	HOSE KIT,HEATER WATER	185	86308	HUB ASSY,FR WHEEL	62	32515A	KNOB,FR SEAT HEIGHT		
HARNES,INSTRUMENT PANEL	182	83096	HOSE,A/C COMPRESSOR			HUB ASSY,RR WHEEL	63	33307A	ADJUSTER	156	75641
			DISCHARGE	194	87035	HUB,M/T 1ST & 2ND SYNCH	53	22513	KNOB,GEARSHIFT LEVER	58	24048
HARNES,INSTRUMENT PANEL			HOSE,A/C COMPRESSOR SUCTION	194	87036	HUB,M/T 3RD & 4TH SYNCH	53	22515	KNOB,HEATER BLOWER	188	86394
CTR CONSOLE LAMP	145	83092	HOSE,A/C EVAPORATOR DRAIN	186	87037BB	HUB,M/T 5TH & REV SYNCH	53	22518	KNOB,HEATER CONTROL LEVER	188	86314B
HARNES,ROOF	182	83129	HOSE,AUTO HEATER CONTROL			HYDRAULIC UNIT,BRAKE				188	86314C
HARNES,RR DOOR	182	83111	VACUUM	188	86306	MODULATOR	81	55831		188	86314D
HARNES,SRS AIR BAG ADAPTER	178	83150B	HOSE,BRAKE BOOSTER VACUUM	76	54154					188	86314E
	178	83150C	HOSE,CLUTCH FLUID RESERVOIR	47	20025	(I)				188	86314F
HEAD ASSY,ENG CYLINDER	5	01200A	HOSE,CLUTCH RELEASE			INJECTOR KIT,FUEL	23	07810	KNOB,TRUNK LID LOCK RELEASE		
HEADLAMP KIT,LH	161	80060L	CYLINDER	47	20425	INSULATOR,AIR CLEANER			HANDLE	114	64308
HEADLAMP KIT,RH	161	80060R	HOSE,EMISSION CONTROL EQUIP	37	12981P	SUPPORT	30	11092	KNUCKLE,LH	62	32300L
HEADLINING	147	72612	HOSE,FR BRAKE	78	54900	INSULATOR,BRAKE HYDRAULIC			KNUCKLE,RH	62	32300R
HEADREST,FR SEAT	155	75177	HOSE,FR FILLER	18	05014	UNIT BRACKET	81	55832			
HEATER ASSY	185	86200A	HOSE,FUEL FILLER NECK			INSULATOR,CLUTCH FLUID TUBE			(L)		
HINGE,FLOOR CONSOLE BOX LID	145	74069	BREATHER	18	05015	BRACKET	45	20027	L-BOLT,BATTERY	179	85142
HINGE,FR DOOR,LWR LH	121	67040L	HOSE,FUEL HIGH PRESSURE	18	05412	INSULATOR,DASH PANEL	104	62504	LABEL,A/C REFRIGERANT		
HINGE,FR DOOR,LWR RH	121	67040R				INSULATOR,ENG MOUNTING	15	02726	CAUTION	120	71831
HINGE,FR DOOR,UPR LH	121	67050L	HOSE,FUEL TANK	18	05265F	INSULATOR,FR SUSP STRUT	67	40025	LABEL,DANGER CAUTION	120	71546
HINGE,FR DOOR,UPR RH	121	67050R				INSULATOR,FUEL INJECTOR	23	07802P	LABEL,FUEL UNLEADED	120	71674
HINGE,HOOD,LH	99	61446L					23	07802Q	LABEL,FUSE	142	71724
HINGE,HOOD,RH	99	61446R				INSULATOR,HOOD	99	61468	LABEL,HEATER CONTROL	188	71330B
HINGE,RR DOOR,LWR LH	128	68040L	HOSE,FUEL VAPOR CONTROL			INSULATOR,RADIATOR				188	71330C
HINGE,RR DOOR,LWR RH	128	68040R	LINE	21	05963B	SUPPORT,LWR	25	10289		188	71330D
HINGE,RR DOOR,UPR LH	128	68050L				INSULATOR,RADIATOR			LABEL,TIRE PRESSURE	120	71757
HINGE,RR DOOR,UPR RH	128	68050R				SUPPORT,UPR	25	10288	LAMP ASSY,HIGH MOUNTED STOP	164	80356A
HINGE,TRUNK LID,LH	114	64315L	HOSE,HEATER WATER VALVE	185	86249	INSULATOR,RR SHOCK ABSORBER	69	41433	LAMP ASSY,ROOM,CTR	165	80640A
HINGE,TRUNK LID,RH	114	64315R	HOSE,P/S OIL PRESSURE	90	48826				LAMP ASSY,SIDE TURN		
HOLDER ASSY,STARTER BRUSH	39	14044A	HOSE,P/S OIL PUMP SUCTION	90	48035	(J)			SIGNAL,FR	162	80230A
HOLDER,BATTERY	179	85133	HOSE,P/S OIL RETURN	90	48827	JACK	196	99211	LAMP ASSY,TRUNK ROOM	165	80646A
HOLDER,FR DOOR WINDOW GLASS	121	67111	HOSE,RADIATOR,LWR	25	10272	JOINT KIT,FR AXLE SHAFT,LH	61	32043L	LAMP KIT,COMBINATION,RR LH	164	80320L
HOLDER,HEATER	186	86443B	HOSE,RADIATOR,UPR	25	10273	JOINT KIT,FR AXLE SHAFT,RH	61	32043R	LAMP KIT,COMBINATION,RR RH	164	80320R
	186	86443C									

## PARTS NAME INDEXES

PARTS NAME	PAGE	PARTS NAME CODE	PARTS NAME	PAGE	PARTS NAME CODE	PARTS NAME	PAGE	PARTS NAME CODE	PARTS NAME	PAGE	PARTS NAME CODE
LAMP KIT,FOG,FR LH	162	80219L	LINK KIT,RR SUSP STABILIZER				185	86322C	NUT,AIR DAM SKIRT PANEL	93	62191B
LAMP KIT,FOG,FR RH	162	80219R	BAR SIDE	69	41631		185	86322D		93	62191C
LAMP KIT,LICENSE PLATE	164	80540	LINK,HEATER AIR CONTROL			MOTOR,RR DOOR POWER				94	62191B
LAMP UNIT,COMBINATION,RR LH	164	80331L	DAMPER	185	86119	WINDOW REGULATOR,LH	130	68022L		94	62191C
LAMP UNIT,COMBINATION,RR RH	164	80331R	LINK,RR SUSP ASSIST	69	41617	MOTOR,RR DOOR POWER			NUT,AIR SPOILER	137	70495C
LAMP UNIT,FOG,FR LH	162	80249L	LINK,WINDSHIELD WIPER	166	84124	WINDOW REGULATOR,RH	130	68022R	NUT,ALTERNATOR	40	14788P
LAMP UNIT,FOG,FR RH	162	80249R	LIQUID GASKET,A/T	3	26090	MOTOR,WINDSHIELD WASHER	166	84224		40	14788Q
LAMP UNIT,LICENSE PLATE	164	80520	LIQUID GASKET,ENG	3	01090	MOTOR,WINDSHIELD WIPER	166	84129	NUT,ALTERNATOR INR	40	14787
LATCH,FR DOOR,LH	124	67361L	LIQUID GASKET,M/T	3	21090	MOULDING,DRIP,LH	136	71145L	NUT,ANTENNA	175	85088
LATCH,FR DOOR,RH	125	67361R	LOCK,FLOOR CONSOLE	145	74089B	MOULDING,DRIP,RH	136	71145R	NUT,BATTERY	179	85293
LATCH,HOOD	99	61471		145	74089C	MOULDING,FR DOOR WINDOW			NUT,BATTERY WIRING	179	83569B
LATCH,RR DOOR,LH	131	68124L	LOCK,GLOVEBOX	143	73527	BELT LINE,LH	122	71046L		179	83569C
LATCH,RR DOOR,RH	131	68124R	LOCK,VALVE SPRING RETAINER	13	03450	MOULDING,FR DOOR WINDOW			NUT,BRAKE BOOSTER	76	54284
LATCH,TRUNK LID	114	64323				BELT LINE,RH	122	71046R	NUT,BRAKE FLUID LINE	78	54985B
LENS,COMBINATION METER			(M)			MOULDING,RR DOOR WINDOW				78	54985C
INDICATOR,LH	169	81143L	MAGNET,M/T CASE	50	21129	BELT LINE,LH	129	71076L	NUT,BRAKE M/CYL	80	54076
LENS,COMBINATION METER			MANIFOLD,EXHAUST	33	12000	MOULDING,RR DOOR WINDOW			NUT,CLUTCH M/CYL	47	20186
INDICATOR,RH	169	81143R	MANIFOLD,INLET	31	11400	BELT LINE,RH	129	71076R	NUT,CONNROD	11	03031
LENS,CTR ROOM LAMP	165	80670	MANUAL TRANSAXLE ASSY	48	21020A	MOULDING,RR WINDOW,LWR	113	71092	NUT,EMISSION SOLENOID VALVE	37	12994
LEVER ASSY,PARKING BRAKE	71	50313A	MARK,ES	138	97210	MOULDING,RR WINDOW,UPR	113	71093	NUT,ENG MOUNTING	15	02890
LEVER KIT,STARTER PINION			MARK,LANCER	138	97088	MOULDING,WINDSHIELD,UPR	105	71122	NUT,ENG SUPPORT ROD	15	02883
SHIFT	39	14046	MARK,LS	138	97091	MUD GUARD,FR LH	140	70221L	NUT,ENG WIRING	183	83275
LEVER,FLOOR CONSOLE LID			MARK,THREE-DIA	98	97162B	MUD GUARD,FR RH	140	70221R		183	83275B
LOCK	145	74065		138	97162C	MUD GUARD,RR LH	140	70223L	NUT,EXHAUST MANIFOLD	33	12096
LEVER,FR SEAT RECLINING			MAST,ANTENNA	175	85021	MUD GUARD,RR RH	140	70223R		33	12096P
ADJUSTER,LH	156	75637L	MAT,FLOOR	152	74614	MUFFLER,EXHAUST MAIN	34	13542	NUT,EXHAUST PIPE	34	13096B
LEVER,FR SEAT RECLINING			MAT,TRUNK ROOM	152	74622					34	13096C
ADJUSTER,RH	156	75637R	MEMBER,FR SUSP,CTR	66	40026	(N)			NUT,FLOOR CONSOLE	145	74186C
LEVER,FR SEAT SLIDE			METER ASSY,COMBINATION	169	81000A	NECK,FUEL FILLER	18	05016	NUT,FOOTREST	79	66897
ADJUSTER,LH	156	75626L	MIRROR & HOLDER,DOOR,LH	139	70020L	NIPPLE,CLUTCH M/CYL	47	20187	NUT,FR AXLE	61	32182
LEVER,FR SEAT SLIDE			MIRROR & HOLDER,DOOR,RH	139	70020R	NIPPLE,INLET MANIFOLD	31	11483P	NUT,FR AXLE CROSSMEMBER	66	32168
ADJUSTER,RH	156	75626R	MIRROR ASSY,DOOR,LH	139	70010AL		31	11483S	NUT,FR BUMPER	93	62989B
LEVER,GEARSHIFT	58	24000	MIRROR ASSY,DOOR,RH	139	70010AR		31	11483T		93	62989F
LEVER,GEARSHIFT SELECT	58	24200	MIRROR ASSY,ROOM	146	74312A	NOZZLE,DEFROSTER	189	86527	NUT,FR SEAT	155	75087
LEVER,M/T SELECT SHAFT	56	23172	MODULE,AIR BAG	84	45036	NOZZLE,WINDSHIELD WASHER	166	84225	NUT,FR SIDE STRUCTURE	107	62973
LEVER,PARKING BRAKE			MODULE,PASSENGER AIR BAG	142	73250	NUT KIT,ALTERNATOR PULLEY	40	14266	NUT,FR SUSP LWR ARM	66	40387
OPERATING,LH	74	50314L	MOTOR & SHROUD,A/C			NUT,A/C CONDENSER	194	87501B	NUT,FR SUSP STRUT	67	40089B
LEVER,PARKING BRAKE			CONDENSER FAN	194	87049	NUT,A/C PIPING	194	87582B		67	40089C
OPERATING,RH	74	50314R	MOTOR,A/C CONDENSER FAN	194	87045	NUT,ABS EQUIP	81	55993P	NUT,FR WHEEL HUB	62	32598
LID,ENG INSPECTION	116	66085	MOTOR,COOLING FAN	25	10510		81	55993Q	NUT,FUEL TANK	18	05289B
LID,FLOOR CONSOLE	145	74066	MOTOR,FR DOOR POWER				82	55993		18	05289C
LID,FUEL FILLER	109	05000	WINDOW REGULATOR,LH	123	67207L	NUT,ACCEL CONTROL EQUIP	24	08975B	NUT,GEARSHIFT LINK	58	24582D
LINK ASSY,RR SUSP			MOTOR,FR DOOR POWER				24	08975C		58	24582F
STABILIZER BAR	69	41618A	WINDOW REGULATOR,RH	123	67207R	NUT,AIR BAG CONTROL EQUIP	178	85982	NUT,HEATER	186	86439B
LINK KIT,FR SUSP STABILIZER	67	40632	MOTOR,HEATER CONTROL	185	86322B	NUT,AIR CLEANER	30	11293		186	86439C

PARTS NAME INDEXES

PARTS NAME	PAGE	PARTS NAME CODE	PARTS NAME	PAGE	PARTS NAME CODE	PARTS NAME	PAGE	PARTS NAME CODE	PARTS NAME	PAGE	PARTS NAME CODE
NUT,HOOD HINGE	99	61578	O-RING,CAMSHAFT POSITION			PAD,FLOOR	144	65983E	PANEL,QTR,INR RH	107	63227R
NUT,INLET MANIFOLD	31	11482	SENSOR	44	14834		144	65983F	PANEL,QTR,OTR LH	107	63210L
NUT,INSTRUMENT PANEL PAD	143	73931	O-RING,CLUTCH FLUID LINE	47	20920		144	65983G	PANEL,QTR,OTR RH	107	63210R
NUT,INSTRUMENT PANEL UNDER TRIM	143	73976B	O-RING,COOLING WATER LINE	29	10199		153	65983	PANEL,QTR CORNER,LH	107	63220L
NUT,LOCK CYLINDER	119	82694	O-RING,ENG CONTROL PRESSURE SENSOR	31	14839	PAD,FR BUMPER FACE	92	62037	PANEL,QTR CORNER,RH	107	63220R
NUT,M/T GEARSHIFT EQUIP	57	23989	O-RING,ENG FR CASE	16	02099	PAD,FR SUSP SPRING,LWR	67	40145	PANEL,ROOF	106	78035
NUT,P/S OIL PUMP	89	48947	O-RING,ENG OIL FILLER	7	04999	PAD,INSTRUMENT PANEL	142	73094	PANEL,RR COMBINATION LAMP		
NUT,RADIATOR	25	10456	O-RING,FUEL INJECTOR	23	07892	PAD,RR SEAT BACK	157	76153	HOUSING,LH	108	64444L
NUT,RR BUMPER	95	64994B	O-RING,FUEL LINE	21	05456	PAD,RR SEAT CUSHION	157	76157	PANEL,RR COMBINATION LAMP		
NUT,RR END PANEL GARNISH	137	64412	O-RING,FUEL TANK	18	05287	PAD,RR SHELF TRIM	153	72221	HOUSING,RH	108	64444R
NUT,RR MUD GUARD	140	70287	O-RING,P/S OIL LINE	90	48999	PAD,RR SUSP SPRING,LWR	69	41136	PANEL,RR DOOR POWER		
NUT,RR SUSP ASSIST LINK	69	41605	O-RING,P/S OIL RESERVOIR	89	48970	PAD,RR SUSP SPRING,UPR	69	41137	WINDOW SWITCH	133	68018
NUT,RR SUSP COIL SPRING	69	41997B	O-RING,RADIATOR	25	10457	PAD,SILENCER	153	65866B	PANEL,RR DOOR,OTR LH	128	68030L
	69	41997C	O-RING,SPEEDOMETER DRIVEN GEAR SLEEVE	51	81362	PANEL ASSY,FR DOOR,LH	121	67020AL	PANEL,RR DOOR,OTR RH	128	68030R
	70	41997D	O-RING,STEERING GEAR INR	87	46289B	PANEL ASSY,FR DOOR,RH	121	67020AR	PANEL,RR END	112	64434
NUT,RR SUSP LWR ARM	69	41395	O-RING,THROTTLE BODY FAST	23	07729	PANEL ASSY,INSTRUMENT,CTR	142	73165A	PANEL,RR SEAT BACK		
NUT,RR SUSP STABILIZER	69	41697B	IDLE AIR VALVE	23	07788S	PANEL ASSY,RR DOOR,LH	128	68020AL	SUPPORT,LH	112	64428L
	69	41697C	O-RING,THROTTLE BODY INR	23	07788S	PANEL ASSY,RR DOOR,RH	128	68020AR	PANEL,RR SEAT BACK		
NUT,RR SUSP UPR ARM	69	41391	O-RING,WHEEL PARKING BRAKE CONTROL LINE	71	50908	PANEL,AIR DAM SKIRT	93	62115	SUPPORT,RH	112	64428R
NUT,RR VIEW MIRROR	139	70093	OIL FILTER	16	04150	PANEL,COWL TOP	104	62318	PANEL,RR SHELF	112	72216
NUT,RR WHEEL HUB	63	33313	OIL GUIDE,M/T CASE	51	21189	PANEL,FR DOOR POWER			PANEL,RR WHEELHOUSE,INR LH	108	63606L
NUT,STEERING GEAR	87	46291B	OIL PAN,ENG,LWR	9	01516	WINDOW SWITCH ASSISTANT			PANEL,RR WHEELHOUSE,INR RH	108	63606R
	87	46291C	OIL PAN,ENG,UPR	9	01517	SIDE	126	67223	PANEL,TRUNK LID	114	64310
NUT,STEERING GEAR INR	87	46290B	OIL PUMP ASSY,P/S	89	48055A	PANEL,FR DOOR POWER			PEDAL ASSY,BRAKE	79	53012A
	87	46290C	OIL SEAL,CAMSHAFT	5	03130	WINDOW SWITCH DRIVER SIDE	126	67222	PEDAL ASSY,CLUTCH	79	20000A
NUT,STEERING WHEEL	84	45096	OIL SEAL,CRANKSHAFT,FR	16	03070	PANEL,FR DOOR,OTR LH	121	67030L	PEDAL,ACCEL	24	08000
NUT,STOP LAMP	164	80372	OIL SEAL,CRANKSHAFT,RR	7	03080	PANEL,FR DOOR,OTR RH	121	67030R	PIECE,GEARSHIFT LEVER		
NUT,T/M MOUNTING	15	21896B	OIL SEAL,M/T GEARSHIFT SHAFT	56	23177	PANEL,GEARSHIFT LEVER	144	24054	BRACKET DISTANCE	58	24055
NUT,THROTTLE BODY	23	07797	OIL SEAL,M/T INPUT SHAFT	51	22017	PANEL,HEADLAMP SUPPORT,LH	102	62630L	PILLAR,CTR INR LH	107	63123L
NUT,WHEEL	65	32833	OIL SEAL,M/T INPUT SHAFT RR END	53	22018	PANEL,HEADLAMP SUPPORT,LWR	103	62650	PILLAR,CTR INR RH	107	63123R
NUT,WINDSHIELD WASHER	167	84292	OIL SEAL,P/S OIL PUMP SHAFT	89	48057	PANEL,HEADLAMP SUPPORT,RH	102	62630R	PILLAR,CTR OTR LH	107	63126L
NUT,WINDSHIELD WIPER	166	84193	OIL SEAL,T/M FR DIFF CASE	51	32268	PANEL,HEADLAMP SUPPORT,UPR	103	62640	PILLAR,CTR OTR RH	107	63126R
NUT,WIRING	183	83352				PANEL,HEATER CONTROL	188	86327	PILLAR,FR LWR INR LH	107	63151L
(O)						PANEL,INSTRUMENT,CTR	142	73165	PILLAR,FR LWR INR RH	107	63151R
O-RING,A/C	186	87695B				PANEL,INSTRUMENT,LWR	142	73109	PILLAR,FR OTR LH	107	63153L
	186	87695C				PANEL,INSTRUMENT,LWR CTR	142	73108	PILLAR,FR OTR RH	107	63153R
O-RING,A/C PIPING	194	87668B				PANEL,INSTRUMENT	142	73000	PILLAR,FR UPR INR LH	107	63154L
	194	87668C				PANEL,INSTRUMENT CONTROL	142	73096	PILLAR,FR UPR INR RH	107	63154R
	194	87668D	PAD SET,FR BRAKE	72	51120	PANEL,INSTRUMENT PANEL AIR OUTLET	142	70512	PIN,BRAKE BOOSTER	76	54281B
	194	87668E	PAD SET,RR BRAKE	74	52120	PANEL,INSTRUMENT PANEL CONSOLE	143	73623	PIN,BRAKE M/CYL	80	54073B
	194	87668F	PAD,BRAKE PEDAL	79	53010	PANEL,INSTRUMENT PANEL SWITCH	143	82378	PIN,CAMSHAFT	12	03195
	194	87668F	PAD,CLUTCH PEDAL	79	20010		143	82378	PIN,CLUTCH M/CYL	47	20193B
	195	87668P	PAD,COWL SIDE	135	62314F		107	63227L		47	20193C
O-RING,BRAKE BOOSTER INR	76	54282	PAD,DASH PANEL	153	62506						

PARTS NAME INDEXES

PARTS NAME	PAGE	PARTS NAME CODE	PARTS NAME	PAGE	PARTS NAME CODE	PARTS NAME	PAGE	PARTS NAME CODE	PARTS NAME	PAGE	PARTS NAME CODE
PIN,CYLINDER BLOCK	47	20193D	PLATE,M/T INPUT SHAFT	53	22448	PLUG,WIRING	183	83351	REGULATOR,FR DOOR WINDOW,RH	123	67214R
PIN,FR BRAKE	72	51986X	PLATE,RR BRAKE BACKING,LH	74	52823L	PLUNGER,ENG OIL RELIEF	16	04211	REGULATOR,FUEL PUMP		
PIN,GEARSHIFT LINK	58	24579B	PLATE,RR BRAKE BACKING,RH	74	52823R	PROTECTOR,COOLING FAN	25	10593	PRESSURE	18	05532
PIN,MT CASE	50	21186	PLATE,RR BRAKE SHOE GUIDE	74	52353	PROTECTOR,FR BUMPER	92	62047B	REGULATOR,RR DOOR WINDOW,LH	130	68032L
PIN,MT GEARSHIFT EQUIP	57	23986P	PLATE,RR BUMPER,UPR LH	94	64044L	PROTECTOR,FR SEAT FRAME	155	75214	REGULATOR,RR DOOR WINDOW,RH	130	68032R
	57	23986Q	PLATE,RR BUMPER,UPR RH	94	64044R	PROTECTOR,FUEL LINE	21	05485	REINFORCEMENT,DASH PANEL	104	62515
	57	23986T	PLATE,RR SEAT	112	76479	PROTECTOR,INSTRUMENT PANEL			REINFORCEMENT,ENG FR		
PIN,MT POWER TRAIN	55	22992	PLATE,RR SUSP ASSIST LINK	69	41636	HARNESS	182	73149B	MOUNTING,RH	102	02864R
PIN,RR BRAKE	74	52964B	PLATE,RR SUSP LWR ARM	69	41325		182	73149C	REINFORCEMENT,FR FLOOR		
	74	52964X	PLATE,RR SUSP SPRING DAMPER	69	41176	PROTECTOR,RR PILLAR			BACKBONE	110	65039
	74	52964Y	PLATE,SIDE SILL RR END,LH	108	63634L	SILENCER,LH	108	63465L	REINFORCEMENT,INSTRUMENT		
PIPE,A/C CONDENSER OUTLET	194	87051B	PLATE,SIDE SILL RR END,RH	108	63634R	PROTECTOR,RR PILLAR			PANEL,CTR	111	73127
	194	87051C	PLUG ASSY,RADIATOR	25	10321A	SILENCER,RH	108	63465R	REINFORCEMENT,RR BUMPER	94	64001
PIPE,EXHAUST,CTR	34	13320	PLUG,ASSIST GRIP	146	63275B	PROTECTOR,UNDER FR FLOOR			REINFORCEMENT,RR BUMPER		
PIPE,EXHAUST,FR	34	13100	PLUG,BODY	118	60999B	HEAT	35	65036	FACE SUPPORT,CTR	94	64053
PIPE,FUEL DELIVERY	23	07505		118	60999C	PULLER,FUSE	143	83608	REINFORCEMENT,RR FLOOR,FR	110	65160B
PIPE,FUEL LINE	21	05449		118	60999D	PULLEY & SHAFT			REINFORCEMENT,RR FLOOR,RR	110	65191
PIPE,FUEL VAPOR	18	05622C		118	60999E	KIT,P/S OIL PUMP	89	48085	REINFORCEMENT,RR SEAT BELT	111	76062B
	18	05622D		118	60999F	PULLEY,ALTERNATOR	40	14293		111	76062C
	21	05622	PLUG,CYLINDER BLOCK	7	01385	PULLEY,CRANKSHAFT	11	03047Z	REINFORCEMENT,RR SEAT		
PIPE,WATER PUMP INLET	29	10034	PLUG,CYLINDER HEAD	5	01287S	PULLEY,P/S OIL PUMP			CATCH,LH	111	76061L
PISTON & PIN ASSY	11	03020A	PLUG,ENG OIL PAN...	9	01512	BELT TENSION	89	48088	REINFORCEMENT,RR SEAT		
PISTON,FR BRAKE CALIPER	72	51037	PLUG,ENG OIL PUMP INR	16	04085P	PUMP,FUEL TANK	18	05149	CATCH,RH	111	76061R
PISTON,RR BRAKE CALIPER	74	52022	PLUG,ENG ROOM COVER	116	66954	PUSH ROD,CLUTCH M/CYL	47	20137	RELAY	178	82799D
PLATE,COMBINATION METER			PLUG,FLOOR	118	65974C	PUSH ROD,CLUTCH RELEASE				178	82799E
WINDOW	169	81156		118	65974D	CYLINDER	45	20445		178	82799F
PLATE,CYLINDER BLOCK,RR	9	02122		118	65974E	(R)			RELAY,A/C CONTROL EQUIP	194	87542
PLATE,ENG OIL PAN BAFFLE	9	01524		118	65974F	RACK,STEERING GEAR	87	46128	RELAY,ABS	178	82739ZX
PLATE,FENDER SHIELD,LH	102	61312L	PLUG,FUEL TANK	18	05298	RADIATOR ASSY	25	10200A	RELAY,DEFOGGER	178	82748
PLATE,FENDER SHIELD,RH	102	61312R	PLUG,HEATER CONTROL EQUIP	188	86972	RADIO	172	85300	RELAY,ENG CONTROL	44	14916
PLATE,FLYWHEEL ADAPTER	11	03078	PLUG,M/T CASE	50	21185P	RAIL,M/T GEARSHIFT 1ST			RELAY,FUEL PUMP	44	14918
	11	03078P		50	21185T	& 2ND	56	23201	RELAY,POWER WINDOW	171	82762
PLATE,FR BUMPER,UPR LH	92	62046L	PLUG,M/T CLUTCH CONTROL	45	20959	RAIL,M/T GEARSHIFT 3RD			RELAY,SPECIAL LAMP	178	82792
PLATE,FR BUMPER,UPR RH	92	62046R	EQUIP	45	20959	& 4TH	56	23203	RESERVOIR ASSY,P/S OIL	89	48736A
PLATE,FUEL PUMP BRACKET	18	05586	PLUG,P/S OIL PUMP INR	89	48943	RAIL,M/T GEARSHIFT 5TH			RESERVOIR,BRAKE FLUID	80	54316
PLATE,M/T GEARSHIFT			PLUG,RR WHEEL HUB	63	33326	& REV	56	23207	RESISTOR,HEATER	185	86347
INTERLOCK	57	23921	PLUG,STEERING GEAR	87	46127	RAIL,ROOF,FR	106	78366	RETAINER,CLUTCH HOUSING FR		
PLATE,M/T GEARSHIFT SHAFT			PLUG,STEERING GEAR	87	46127	RAIL,ROOF,RR	106	78367	BEARING	51	21214
STOPPER	56	23185	PLUG,TRUNK LID	115	64384	RAIL,ROOF SIDE,INR LH	108	78357L	RETAINER,GEARSHIFT LEVER	58	24067
			PLUG,TRUNK LID	115	64384C	RAIL,ROOF SIDE,INR RH	108	78357R	BEARING	46	21132
			PLUG,WINDSHIELD WASHER	167	84291	RECEIVER ASSY,A/C	194	87065A	RETAINER,RR BRAKE CHAMBER	74	52502
						RECTIFIER,ALTERNATOR	40	14296	RETAINER,RR DOOR W/STRIP	128	68028
						REGULATOR,ALTERNATOR	40	14297	RETAINER,VALVE SPRING	13	03405
						REGULATOR,FR DOOR WINDOW,LH	123	67214L	RHEOSTAT,INSTRUMENT PANEL	171	81707



## PARTS NAME INDEXES

PARTS NAME	PAGE	PARTS NAME CODE	PARTS NAME	PAGE	PARTS NAME CODE	PARTS NAME	PAGE	PARTS NAME CODE	PARTS NAME	PAGE	PARTS NAME CODE
RING ASSY,M/T 1ST			RUNCHANNEL,RR DOOR WINDOW			SCREW,FR DOOR LOCKING	127	67596E	SCREW,RR DOOR	128	68072
SPEED GEAR SYNCH	53	22545A	GLASS,RH	128	68033R	SCREW,FR DOOR LOCKING	125	67397B	SCREW,RR DOOR LOCKING	132	68194B
RING ASSY,M/T 2ND			(S)				125	67397C		132	68194C
SPEED GEAR SYNCH	53	22546A	SASH,FR DOOR WINDOW,RR			SCREW,FR DOOR TRIM	126	67488B	SCREW,RR DOOR TRIM	133	68284D
RING SET,PISTON	11	03060	LWR LH	121	67026L	SCREW,FR DOOR WINDOW				133	68284C
RING,M/T OUTPUT SHAFT			SASH,FR DOOR WINDOW,RR			REGULATOR	123	67287C		133	68284E
REV SYNCH	54	22592	LWR RH	121	67026R	SCREW,FR MUD GUARD	140	70296		133	68284F
RING,M/T SYNCH	54	22596	SASH,RR DOOR WINDOW,CTR LH	129	68233L	SCREW,FR SEAT	155	75099C		133	68284G
	54	22596P	SASH,RR DOOR WINDOW,CTR RH	129	68233R	SCREW,FR SEAT BELT	160	75793	SCREW,RR DOOR WINDOW	128	68095
	157	76463B	SCREW SET,ALTERNATOR INR	40	14307P	SCREW,FUEL FILLER PIPE	18	05081	SCREW,RR DOOR WINDOW		
	158	76463C		40	14307Q	SCREW,GLOVEBOX	143	73592C	REGULATOR	130	68088C
RIVET,FR BUMPER	93	62964	SCREW SET,STARTER INR	39	14061	SCREW,HEADLAMP	161	80194	SCREW,RR SEAT BELT	160	76415
RIVET,RR BUMPER	95	64997	SCREW,ABS EQUIP	82	55991	SCREW,HEATER	185	86435B	SCREW,RR SHELF TRIM	151	72291
ROCKER ARM,EXHAUST VALVE	12	03324	SCREW,AIR BAG CONTROL EQUIP	178	85924		185	86435C	SCREW,RR VIEW MIRROR	139	70099
ROCKER ARM,INLET VALVE	12	03343P	SCREW,AIR DAM SKIRT PANEL	94	62193		185	86435D	SCREW,SIDE AIR DAM	136	63971D
	13	03343Q	SCREW,ANTENNA	175	85085Z		186	86435E	SCREW,SPEAKER	173	85592
			SCREW,AUDIO EQUIP	172	85983B		186	86435F		173	85592B
ROD,FR DOOR INSIDE				172	85983C		186	86435G	SCREW,SPLASH SHIELD	118	63965B
HANDLE,LH	124	67342L	SCREW,BODY LOOSE PANEL	116	66973		186	86435K		118	63965C
ROD,FR DOOR INSIDE			SCREW,CTR PILLAR TRIM	148	72011	SCREW,HEATER CONTROL EQUIP	188	86969	SCREW,STEERING COLUMN COVER	85	45292C
HANDLE,RH	124	67342R	SCREW,CTR VENTILATOR DUCT	191	86761	SCREW,HEATER DUCT	191	86454B	SCREW,STEERING COLUMN		
ROD,FR DOOR OUTSIDE				191	86761B	SCREW,HOOD LOCKING	99	61566	SWITCH	171	82207C
HANDLE,LH	125	67374L	SCREW,DEFROSTER DUCT	189	86587	SCREW,INSTRUMENT PANEL	142	73297B	SCREW,STEERING LOCK	119	47996B
ROD,FR DOOR OUTSIDE			SCREW,DEFROSTER NOZZLE	189	86597		142	73297E		119	47996C
HANDLE,RH	125	67374R	SCREW,DOOR CONTROL RELAY	178	82954	SCREW,INSTRUMENT PANEL AIR			SCREW,STOP LAMP	164	80499B
ROD,HOOD SUPPORT	99	61501	SCREW,DOOR LAMP SWITCH	171	82221	OUTLET	143	73965B	SCREW,SUNVISOR	146	74395
ROD,RR DOOR INSIDE			SCREW,ENG OIL PUMP INR	16	04082		143	73965C	SCREW,TAIL LAMP	164	80381
HANDLE,LH	131	68131L	SCREW,FLOOR CONSOLE	145	74182B		143	73965C	SCREW,THROTTLE BODY INR	23	07792S
ROD,RR DOOR INSIDE				145	74182C	SCREW,INSTRUMENT PANEL				23	07792T
HANDLE,RH	131	68131R		145	74182D	CONSOLE	143	73699	SCREW,WIRING	183	83348
ROD,RR DOOR INSIDE LOCK,LH	131	68132L		145	74182E	SCREW,INSTRUMENT PANEL			SCUFF PLATE,FR LH	148	63614L
ROD,RR DOOR INSIDE LOCK,RH	131	68132R		145	74182F	METER	169	81274	SCUFF PLATE,FR RH	148	63614R
ROD,RR DOOR OUTSIDE				145	74182G		169	81274Y	SCUFF PLATE,RR LH	148	63615L
HANDLE,LH	131	68134L		145	74182H	SCREW,INSTRUMENT PANEL TRIM			SCUFF PLATE,RR RH	148	63615R
ROD,RR DOOR OUTSIDE				145	74182J	PLATE	143	73992E	SEAL KIT,FR BRAKE CALIPER	72	51020
HANDLE,RH	132	68134R	SCREW,FOG LAMP	162	80877C	SCREW,INSTRUMENT PANEL			SEAL KIT,P/S GEAR	87	46525
ROTOR & ARMATURE			SCREW,FR BUMPER	93	62986B	UNDER TRIM	143	73974	SEAL KIT,P/S OIL PUMP	89	48096
KIT,A/C COMPRESSOR	194	87191		93	62986C	SCREW,LICENSE PLATE LAMP	164	80863	SEAL KIT,RR BRAKE CALIPER	74	52010
ROTOR KIT,ALTERNATOR	40	14304		93	62986D	SCREW,METER BEZEL	143	73935C	SEAL,BRAKE BOOSTER BODY	76	54239
RUNCHANNEL,FR DOOR WINDOW				93	62986E	SCREW,RADIATOR	25	10485	SEAL,BRAKE M/CYL TO		
GLASS,LH	121	67124L		93	62986H	SCREW,RADIATOR GRILLE	98	62284B	FLUID RESERVOIR	80	54048
RUNCHANNEL,FR DOOR WINDOW			SCREW,FR DOOR	121	67093	SCREW,ROOM LAMP	165	80973B	SEAL,CLUTCH M/CYL	47	20144
GLASS,RH	121	67124R	SCREW,FR DOOR ARMREST	126	67596C	SCREW,RR BUMPER	95	64992C		47	20144B
RUNCHANNEL,RR DOOR WINDOW				126	67596C						
GLASS,LH	128	68033L		127	67596D						

## PARTS NAME INDEXES

PARTS NAME	PAGE	PARTS NAME CODE	PARTS NAME	PAGE	PARTS NAME CODE	PARTS NAME	PAGE	PARTS NAME CODE	PARTS NAME	PAGE	PARTS NAME CODE
SEAL,CYLINDER HEAD SPARK PLUG GUIDE	5	01215	SHAFT KIT,M/T GEARSHIFT	56	23226	SIDEMEMBER,RR FLOOR,LH	110	65157L	SPACER,TIMING BELT TRAIN	12	03258T
SEAL,EXHAUST VALVE STEM	13	03490	SHAFT,EXHAUST VALVE ROCKER ARM	13	03349	SIDEMEMBER,RR FLOOR,RH	110	65157R	SPACER,WINDSHIELD	105	61793B
SEAL,HEADLAMP,LH	161	80054L	SHAFT,FR SEAT SUSP	156	75237	SILENCER,DASH PANEL	104	62516B	SPARK PLUG	42	14640
SEAL,HEADLAMP,RH	161	80054R	SHAFT,INLET VALVE ROCKER ARM	156	75237B	SLEEVE,M/T 1ST & 2ND SYNCH	53	22557	SPEAKER,FR DOOR	173	85515
SEAL,INLET VALVE STEM	13	03480	SHAFT,M/T DIFF PINION	54	22612	SLEEVE,M/T 3RD & 4TH SYNCH	54	22562	SPEAKER,RR SHELF	173	85521
SEAT BELT,FR SEAT			SHAFT,M/T INPUT	53	22010	SLEEVE,M/T 5TH & REV SYNCH	53	22558	SPRING PIN,TIMING BELT TRAIN	12	03282
PRE-TENSIONER,OTR LH	160	75765L	SHAFT,M/T OUTPUT	53	22400	SLEEVE,M/T INPUT SHAFT			SPRING,ACCEL PEDAL ARM RETURN	24	08037
SEAT BELT,FR SEAT			SHAFT,M/T REV IDLER GEAR	53	22422	4TH GEAR BEARING	53	22033	SPRING,AIR BAG SENSOR	178	82643
PRE-TENSIONER,OTR RH	160	75765R	SHAFT,M/T SELECT LEVER	56	23235	SLEEVE,M/T OUTPUT SHAFT 1ST			SPRING,CLUTCH RELEASE		
SEAT BELT,FR SEAT,INR LH	160	75743L	SHIELD KIT,SPLASH,FR LH	118	70328L	SPEED GEAR	53	22423	SPRING,PISTON RETURN	45	20453
SEAT BELT,FR SEAT,INR RH	160	75743R	SHIELD KIT,SPLASH,FR RH	118	70328R	SLEEVE,M/T OUTPUT SHAFT 2ND			SPRING,DISC WHEEL CTR CAP	65	32844
SEAT BELT,RR SEAT,INR LH	160	76330L	SHIELD KIT,SPLASH,RR LH	118	70319L	SPEED GEAR	53	22424	SPRING,ENG OIL RELIEF		
SEAT BELT,RR SEAT,INR RH	160	76330R	SHIELD KIT,SPLASH,RR RH	118	70319R	SLEEVE,M/T OUTPUT SHAFT 5TH			PLUNGER	16	04217
SEAT BELT,RR SEAT,OTR LH	160	76380L	SHIM SET,FR BRAKE	72	51150	GEAR BEARING	53	22452	SPRING,EXHAUST VALVE	13	03413
SEAT BELT,RR SEAT,OTR RH	160	76380R	SHIM SET,RR BRAKE	74	52150	SLEEVE,M/T OUTPUT SHAFT REV			SPRING,FLOOR CONSOLE		
SEAT,EXHAUST MUFFLER HANGER	35	13547	SHIM,FR DOOR LATCH STRIKER	124	67352	GEAR	53	22449	STOPPER	145	74094
SEAT,EXHAUST VALVE	5	03407	SHIM,RR DOOR LATCH STRIKER	132	68137	SLEEVE,SPEEDOMETER DRIVEN			SPRING,FR SUSP COIL	67	40176
SEAT,FR SUSP SPRING,UPR	67	40162	SHOCK ABSORBER,RR SUSP	69	41422	GEAR	51	81387	SPRING,GEARSHIFT LEVER	58	24093
SEAT,INLET VALVE	5	03411	SHOE ASSY,RR BRAKE			SNAP RING,FR SEAT	155	75082	SPRING,INLET VALVE	13	03414
SEAT,VALVE SPRING	13	03412	PRIMARY,LH	74	52330AL	SNAP RING,FR WHEEL HUB	62	32596	SPRING,M/T GEARSHIFT		
SENSOR UNIT,WATER TEMPERATURE	29	10803	PRIMARY,RH	74	52330AR	SNAP RING,M/T POWER TRAIN	54	22989	ADJUSTING ARM RETURN	57	23941
SENSOR,A/C CONDENSER TEMPERATURE	188	87406	SHOE ASSY,RR BRAKE SECONDARY,LH	74	52340AL		54	22989P	SPRING,M/T GEARSHIFT		
SENSOR,AIR CLEANER AIR FLOW	30	11135	SHOE ASSY,RR BRAKE SECONDARY,RH	74	52340AR	SNAP RING,P/S OIL PUMP INR	89	48942	NEUTRAL RETURN	57	23957P
SENSOR,CAMSHAFT POSITION	44	14846	SHOE,MT SELECT LEVER	56	23241	SNAP,FR DOOR LOCKING	125	67392B	SPRING,M/T REV IDLER GEAR	53	22428
SENSOR,ENG CONTROL KNOCK	44	14924	SHROUD,A/C CONDENSER FAN	194	80702	SNAP,RR DOOR LOCKING	132	68193C	SPRING,M/T SYNCH KEY	54	22595
SENSOR,ENG CONTROL OXYGEN	44	14925	SHROUD,COOLING FAN	25	10324		125	67392C	SPRING,P/S OIL PUMP		
	44	14925P	SIDE SILL,FR FLOOR,INR LH	110	63645L	SOCKET,FR LAMP	162	80164	FLOW CONTROL	89	48111
SENSOR,ENG CRANK ANGLE	44	14932	SIDE SILL,FR FLOOR,INR RH	110	63645R	SOCKET,HEADLAMP	161	80193C	SPRING,PARCEL BOX	143	73703
SENSOR,FR ABS,LH	82	55981L	SIDE SILL,FR FLOOR,OTR LH	108	63646L	SOCKET,LICENSE PLATE LAMP	164	80844	SPRING,ROCKER SHAFT	13	03356
SENSOR,FR ABS,RH	82	55981R	SIDE SILL,FR FLOOR,OTR RH	108	63646R	SOCKET,STOP LAMP	164	80875	SPRING,RR BRAKE SHOE		
SENSOR,HEATER AIR INTAKE DUCT	188	86353	SIDEMEMBER ASSY,FR LH	103	65009AL	SPACER SET,M/T DIFF			AUTO ADJUSTER	74	52375
SENSOR,HEATER WATER TEMPERATURE	185	86354	SIDEMEMBER ASSY,FR RH	103	65009AR	SIDE GEAR	54	22611	SPRING,RR BRAKE SHOE		
SENSOR,INLET MANIFOLD ABSOLUTE PRESSURE	31	14930	SIDEMEMBER,FR FLOOR,LH	110	65054L	SPACER,GEARSHIFT LINK	58	24577	HOLD-DOWN	74	52376
SENSOR,RR ABS,LH	82	55969L	SIDEMEMBER,FR FLOOR,RH	110	65054R	SPACER,M/T DIFF	54	22615	SPRING,RR BRAKE SHOE RETURN	74	52381B
SENSOR,RR ABS,RH	82	55969R	SIDEMEMBER,FR INR LH	102	61819L	SPACER,M/T DIFF	54	22615P	TO STRUT	74	52381C
SENSOR,THROTTLE BODY THROTTLE	23	07702	SIDEMEMBER,FR INR RH	102	61819R	SPACER,M/T GEARSHIFT EQUIP	57	23987	SPRING,RR SUSP COIL	69	41197
SHAFT ASSY,FR AXLE DRIVE,LH	61	32073AL	SIDEMEMBER,FR OTR LH	102	61818L	SPACER,RR SEAT	157	76174			
SHAFT ASSY,FR AXLE DRIVE,RH	61	32073AR	SIDEMEMBER,FR OTR RH	102	61818R						

PARTS NAME INDEXES

PARTS NAME	PAGE	PARTS NAME CODE	PARTS NAME	PAGE	PARTS NAME CODE	PARTS NAME	PAGE	PARTS NAME CODE	PARTS NAME	PAGE	PARTS NAME CODE
SPRING,STEERING GEAR RACK			SUNVISOR,LH	146	74321L	SWITCH,STOP LAMP	79	82110	TRIM,TRUNK ROOM SIDE,RH	151	72320R
SUPPORT	87	46175	SUNVISOR,RH	146	74321R	SWITCH,TURN SIGNAL LAMP			TUBE ASSY,P/S OIL FEED	87	48856AB
SPRING,TIMING BELT			SUPPORT ASSY,HEADLAMP	102	62610A	& LIGHTING	171	82144		87	48856AC
TENSIONER	12	03166	SUPPORT,A/C CONTROLLER	188	87311	SWITCH,WINDSHIELD WIPER &			TUBE,BRAKE M/CYL PRIMARY	78	56255
SPROCKET,CAMSHAFT	12	03171	SUPPORT,CAMSHAFT POSITION			WINDSHIELD WASHER	171	82015	TUBE,BRAKE M/CYL SECONDARY	78	56256
SPROCKET,CRANKSHAFT			SENSOR	5	01219				TUBE,BRAKE MAIN,FR LH	78	56263L
CAMSHAFT DRIVE	12	03038	SUPPORT,FR BRAKE CALIPER,LH	72	51054L	(T)			TUBE,BRAKE MAIN,FR RH	78	56263R
STARTER ASSY	39	14000A	SUPPORT,FR BRAKE CALIPER,RH	72	51054R	TANK ASSY,RADIATOR			TUBE,BRAKE MAIN,LH	21	56257L
STATOR,ALTERNATOR	40	14335	SUPPORT,HEADLAMP,LH	102	62610L	CONDENSER	25	10371A	TUBE,BRAKE MAIN,RH	21	56257R
STAY,FR END STRUCTURE	102	61986	SUPPORT,HEADLAMP,RH	102	62610R	TANK,WINDSHIELD WASHER	166	84242	TUBE,CLUTCH M/CYL	47	20157
STAY,INLET MANIFOLD	31	11437	SUPPORT,RR BRAKE CALIPER	74	52036	TENSIONER,TIMING BELT	12	03173	TUBE,CLUTCH RELEASE		
	31	11437Q	SUPPORT,STEERING GEAR RACK	87	46181	TERMINAL ASSY,P/S OIL PUMP	89	48121A	CYLINDER	45	20464
STAY,P/S OIL PUMP	89	48940	SWITCH ASSY,ENG STARTING	119	82005A	TERMINAL,BATTERY	179	85173	TUBE,FR BRAKE,LH	78	56267L
STOPPER KIT,M/T GEARSHIFT			SWITCH ASSY,FR DOOR			THERMISTOR,A/C	186	87127B	TUBE,FR BRAKE,RH	78	56267R
SHAFT	56	23255	POWER WINDOW ASSISTANT				186	87127C	TUBE,P/S OIL RETURN	90	48861
STOPPER KIT,STARTER PINION	39	14077	SIDE	171	82039A	THERMOSTAT KIT	29	10110	TUBE,RR AXLE BRAKE,LH	78	52991L
STOPPER,ACCEL PEDAL ARM	24	08042B	SWITCH ASSY,FR DOOR			THROTTLE BODY ASSY	23	07700A	TUBE,RR AXLE BRAKE,RH	78	52991R
	24	08042C	POWER WINDOW DRIVER SIDE	171	82038A	THRUST BEARING			TUBE,WINDSHIELD WASHER		
STOPPER,BRAKE PEDAL	79	53035	SWITCH ASSY,RR DOOR			SET,CRANKSHAFT	11	03048	MOTOR SIDE	166	84247B
STOPPER,CLUTCH PEDAL	79	20045	POWER WINDOW,LH	171	82119AL	THRUST WASHER,M/T REV IDLER				166	84247C
STOPPER,GLOVEBOX	143	73541	SWITCH ASSY,RR DOOR			GEAR	53	22446		167	84247D
STOPPER,M/T INPUT SHAFT	53	22451	POWER WINDOW,RH	171	82119AR	TIE ROD,STEERING	87	47342	(U)		
STOPPER,RR WINDOW GLASS	113	64223	SWITCH KIT,STARTER MAGNETIC	39	14082	TIRE	65	32847	UNION,M/T CLUTCH CONTROL		
STOPPER,STEERING GEAR RACK	87	46176	SWITCH,A/C COMPRESSOR			TOOL SET,STD	196	99010	EQUIP	46	20966
STOPPER,T/M MOUNTING	15	21809B	REFRIGERANT TEMPERATURE	194	87228	TORSION BAR,TRUNK LID,LH	114	64341L	(V)		
	15	21809C	SWITCH,A/C REFRIGERANT			TORSION BAR,TRUNK LID,RH	114	64341R	VALVE ASSY,EMISSION		
STOPPER,WINDSHIELD GLASS	105	61711	PRESSURE	194	87076	TRAY,BATTERY	179	85175	SOLENOID	37	12421A
STRAINER,ENG OIL PAN	9	04124	SWITCH,BRAKE FLUID LEVEL			TRIM,COWL SIDE,LH	149	72316L	VALVE KIT,P/S GEAR CONTROL	87	48756
STRIKER,FR DOOR LATCH	124	67356	INDICATOR	80	54326	TRIM,COWL SIDE,RH	149	72316R	VALVE,A/C EXPANSION	186	87086
STRIKER,GLOVEBOX	143	73543	SWITCH,DOOR LAMP	171	82052	TRIM,CTR PILLAR,LWR LH	148	72013L	VALVE,EGR	37	12400
STRIKER,RR DOOR LATCH	132	68142	SWITCH,DOOR LOCK,LH	119	82053L	TRIM,CTR PILLAR,LWR RH	148	72013R	VALVE,EMISSION SOLENOID	37	12421P
STRIKER,TRUNK LID LATCH	114	64336	SWITCH,ENG OIL PRESSURE	14	04226	TRIM,CTR PILLAR,UPR LH	148	72014L		37	12421Q
STRUT,FR SUSP	67	40041	SWITCH,ENG STARTING	119	82005	TRIM,CTR PILLAR,UPR RH	148	72014R	VALVE,EMISSION VACUUM		
STRUT,PARKING BRAKE			SWITCH,ENG STARTING SWITCH			TRIM,FR DOOR,LH	126	67421L	CONTROL	37	12431
OPERATING LEVER,LH	74	50454L	ATTACHING	119	82040	TRIM,FR DOOR,RH	126	67421R	VALVE,EXHAUST	13	03420
STRUT,PARKING BRAKE			SWITCH,FR FOG LAMP	171	82073	TRIM,FR PILLAR,LH	148	72017L	VALVE,FAST IDLE AIR	23	07707
OPERATING LEVER,RH	74	50454R	SWITCH,HAZARD WARNING LAMP	171	82076	TRIM,FR PILLAR,RH	149	72017R	VALVE,FUEL FILLER NECK	18	05188
STUD,CATALYTIC CONVERTER	33	12296	SWITCH,HEADLAMP LEVELING	171	82046	TRIM,FR INSTRUMENT PANEL	142	73104	VALVE,FUEL TANK SAFETY	18	05191
STUD,CYLINDER HEAD	5	01282P	SWITCH,HEATER BLOWER	188	82006	TRIM,RR DOOR,LH	133	68249L	VALVE,FUEL TANK VAPOR		
	5	01282Q	SWITCH,M/T GEARSHIFT BACKUP			TRIM,RR DOOR,RH	133	68249R	HOSE 2-WAY	18	05186
	5	01282S	LAMP	56	23024	TRIM,RR PILLAR,LH	149	72022L	VALVE,INLET	13	03410
STUD,ENG MOUNTING	15	02888	SWITCH,PARKING BRAKE	71	50457	TRIM,RR PILLAR,RH	149	72022R	VALVE,PCV	4	01130
STUD,EXHAUST MANIFOLD	33	12089	SWITCH,REMOTE CONTROL			TRIM,RR SHELF	151	72233			
STUD,M/T CASE	50	21182	MIRROR	171	82012	TRIM,TRUNK ROOM RR END	151	72335			
STUD,P/S OIL PUMP	89	48966	SWITCH,STEERING COLUMN	171	82041	TRIM,TRUNK ROOM SIDE,LH	151	72320L			

PARTS NAME INDEXES

PARTS NAME	PAGE	PARTS NAME CODE	PARTS NAME	PAGE	PARTS NAME CODE	PARTS NAME	PAGE	PARTS NAME CODE	PARTS NAME	PAGE	PARTS NAME CODE
(W)			WEATHERSTRIP,HOOD,FR	99	61533						
WASHER,ALTERNATOR	40	14384Q	WEATHERSTRIP,HOOD,RR	99	61534						
	40	14384S	WEATHERSTRIP,HOOD	99	61526						
WASHER,BRAKE BOOSTER	76	54274	WEATHERSTRIP,RR DOOR								
WASHER,CLUTCH M/CYL	47	20178	BELT,INR LH	129	68143L						
WASHER,CRANKSHAFT PULLEY	11	03782	WEATHERSTRIP,RR DOOR								
WASHER,CYLINDER HEAD	5	01281	BELT,INR RH	129	68143R						
WASHER,EXHAUST MANIFOLD	33	12088	WEATHERSTRIP,RR DOOR								
	33	12088P	OPENING,INR	129	68252						
WASHER,EXHAUST PIPE	34	13087	WEATHERSTRIP,RR DOOR								
WASHER,FR AXLE	61	32184	OPENING,OTR LH	129	68253L						
WASHER,FR SUSP LWR ARM	66	40381	WEATHERSTRIP,RR DOOR								
WASHER,GEARSHIFT LINK	58	24588C	OPENING,OTR RH	129	68253R						
	58	24588D	WEATHERSTRIP,RR DOOR								
	58	24588E	STATIONARY WINDOW,LH	129	68147L						
	58	24588F	WEATHERSTRIP,RR DOOR								
	58	24588G	STATIONARY WINDOW,RH	129	68147R						
	58	24588H	WEATHERSTRIP,TRUNK LID	114	64337						
	58	24588J	WHEEL ASSY,STEERING	84	45024A						
WASHER,INDEPENDENT RR SUSP			WHEEL,DISC	65	32862						
ARM	69	41383	WHEEL,SPARE TIRE DISC	65	32745						
WASHER,INLET MANIFOLD	31	11469	WHEELHOUSE,FR INR LH	102	61815L						
WASHER,M/T CLUTCH CONTROL			WHEELHOUSE,FR INR RH	102	61815R						
EQUIP	46	20965	WIRE,HEATER CONTROL EQUIP	188	86967						
WASHER,M/T GEARSHIFT EQUIP	57	23978P	WIRE,RR SEAT TRIMMING	157	76155B						
	57	23978Q	WRENCH,WHEEL NUT SOCKET	196	99327						
	57	23978S									
WASHER,M/T POWER TRAIN	54	22986	(Y)								
WASHER,RR BRAKE	74	52957C	YOKE,STARTER	39	14086						
WASHER,RR SUSP COIL SPRING	69	41993									
WASHER,RR SUSP UPR ARM	69	41389									
WASHER,STEERING COLUMN	85	45274									
WASHER,STEERING GEAR	87	46284									
WASHER,TIMING BELT TRAIN	12	03281									
WATER PUMP ASSY	28	10000A									
WEATHERSTRIP,FR DOOR											
BELT,INR LH	121	67436L									
WEATHERSTRIP,FR DOOR											
BELT,INR RH	122	67436R									
WEATHERSTRIP,FR DOOR											
OPENING,INR	122	67442									
WEATHERSTRIP,FR DOOR											
OPENING,OTR LH	122	67443L									
WEATHERSTRIP,FR DOOR											
OPENING,OTR RH	122	67443R									