

CT100B



CT100B

Spare Parts Catalogue



Notice

All information contained in this manual is based on the latest product information at the time of publication. Bajaj Auto Limited accepts no liability for any inaccuracies or omissions in this publication, although every possible care has been taken to make it as complete and accurate as possible. All procedures and specifications subject to change without prior notice. The right is reserved to make such changes at any time without prior notice and without incurring an obligation to make such changes to product manufactured previously. Contact your authorized Bajaj Dealer for the latest information on product improvements incorporated after this manual was issued.

DOC. NO.: XXXXXXXX

REV. 00, JUNE 16

Copy rights : All rights reserved. No part of this publication may be reproduced, stored in a retrieval system, Or transmitted in any form or by any means, electronic mechanical photocopying, recording or otherwise, without the prior written permission of Bajaj Auto LTD.

We have pleasure in presenting the Spare Parts Catalogue for 'CT 100B' Motorcycle. This catalogue has been specially designed to assist you in selecting the correct parts for procurement to maintain 100% availability.

The Bajaj spares are subjected to the stringent quality control standards to ensure longer life of the vehicle. It is therefore necessary that only the Genuine Bajaj Spares are used.

In a continual effort to improve Performance and Efficiency of the vehicles, Specifications, Diagrams, Illustrations and Part Numbers can change without notice. Consequently, the description in this Spare Parts Catalogue cannot therefore be final and binding on us.

The modifications / alterations which are carried out after the issue of this catalogue, will be conveyed to you through our Service Circulars. You are requested to make necessary corrections in the Parts Catalogue as per the circulars so as to keep your catalogue up-to-date. This will ensure the appropriate and speedy delivery of the Spare Parts as the order placed will bear the latest part numbers.

In case, if you need any technical assistance contact the concerned Regional Office or write to us on the following address :

Bajaj Auto Limited

Akurdi, Pune 411 035 India

- 1. How to Read the Catalogue :** Open the catalogue and from the pictorial index locate the group in which the part you want to find is present. Turn over to the concerned page number (as given by pictorial index). Now find out the figure of the part you wish to order. Write down the part number against that particular figure number from the text.

In case, if you have the part number and you need the other details, the part index can be used. The part index (at the end of the catalogue) will give you the figure and page number of the part you wish to order.

- 2. How to Order Spare Parts :** The part number and the description of the part required should be invariably mentioned in the order as per the catalogue text.

The latest part number as conveyed through our service circulars should only appear on the order. In case of ordering painted components, colour shade of the components should be mentioned.

The quantity shown against the part number is the quantity per vehicle for that group so that particular quantity should be multiplied by the number of sets required.

- 3. Part Number System :** We have used 8 digit system for part numbers. The model or hardware item is indicated by first two digits or alphanumeric, the next two or four digits indicate main group and the last four or two digits indicate serial number in main group or serial number or subgroup of fastener respectively. Thus the part numbers will be indicated by 2-2-4 or 2-4-2 digit system. Understanding this system will enable you to identify the spare parts easily.

- 4. Abbreviations :** The following abbreviations are used in this catalogue.

Assly	Assembly	V	Volts
N.I.	Not illustrated	W	Watts
C'case	Crankcase	Accl.	Accelerator
Cyl	Cylinder	Comp.	Complete
O/s	Over size	Fr.	Front
RR	Rear	Std.	Standard
L	Length	A/t.	Alternate
R.H.	Right hand	L.H.	Left hand
Hex.	Hexagonal	AR	As required

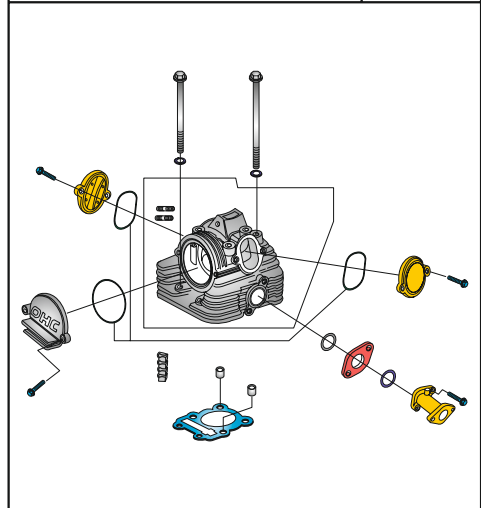
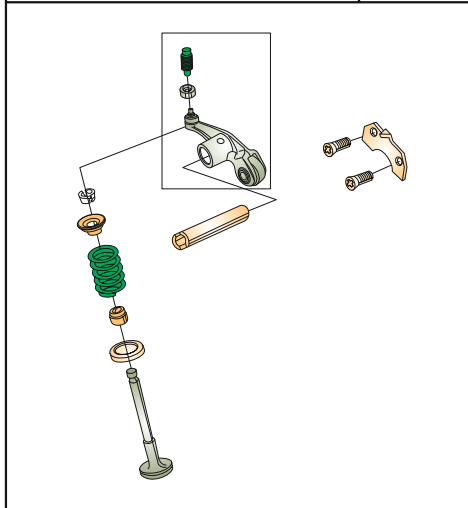
Index

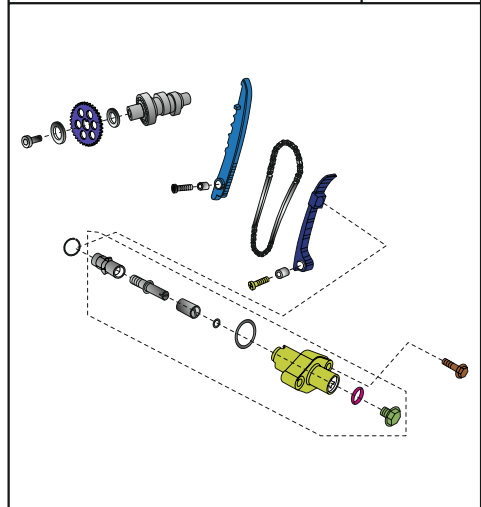
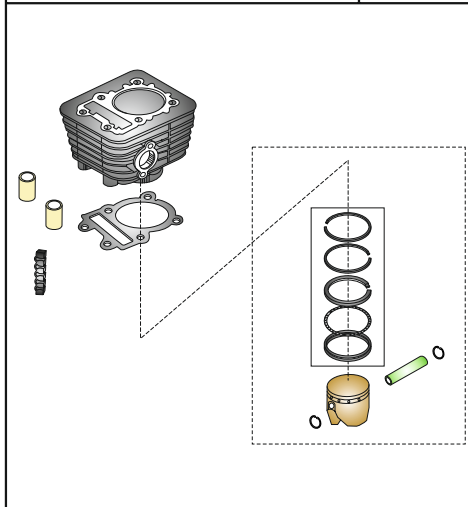
Plate No.	Description	Page No.
1	Cylinder Head	2
2	Valve	4
3	Camshaft / Tensioner	6
4	Cylinder and Piston	8
5	Crankshaft	10
6	Transmission	12
7	Change Drum / Shift Fork	14
8	Gear Change Mechanism	16
9	Engine Assly / Crankcase RH	18
10	Crankcase LH	20
11	Oil Pump	22
12	Kick Starter Mechanism	24
13	Cover Clutch	26
14	Cover Magneto	28
15	Clutch Assly	30
16	Carburettor Assembly	32
17	Air Cleaner Complete	34
18	Silencer Assly	36
19	Magneto, C.D.I. & H.T. Coil	38
20	Seat Assly & Mounting	40
21	Engine Mountings	42
22	Frame and Frame Fitting	44
23	Swing Arm / Rear Shock Absorber	46
24	Foot Rest - Rider / Pillion	48
25	Mudguard- Front & Rear	50
26	Stand Assembly	52
27	Tyre / Tube / Rim - (Alloy Wheels)	54
28	Tyre / Tube / Rim - (Spoke Wheels)	56
29	Front Hub - (Alloy Wheels)	58
30	Front Hub - (Spoke Wheels)	60
31	Rear Hub - (Alloy Wheels)	62

Index

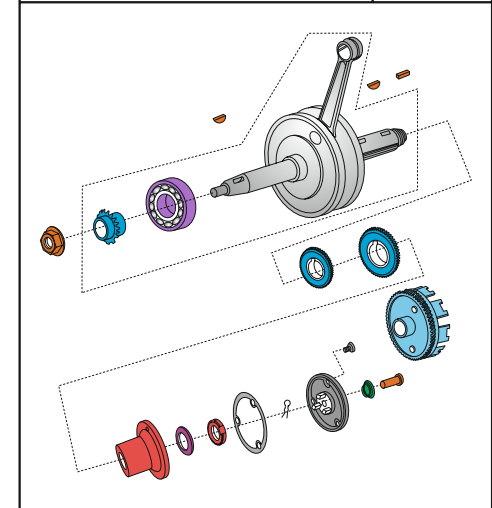
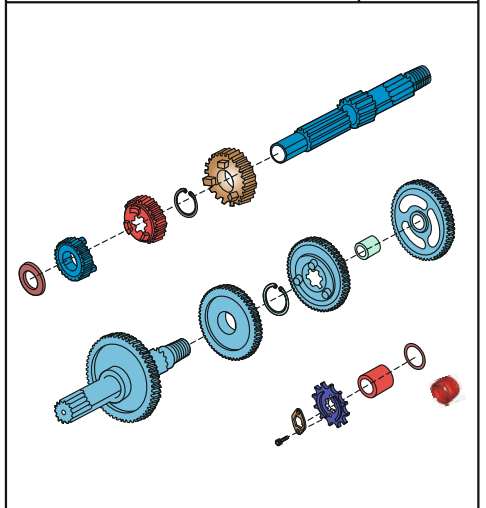
Plate No.	Description	Page No.
32	Rear Hub - (Spoke Wheels)	64
33	Rear Brake Pedal	66
34	Handle Bar Assly	68
35	Front Fork	70
36	Petrol Tank, Cap Tank & Gauge Fuel	72
37	Fittings - Petrol Tank, Side Cover & Cover Seat	74
38	Meter Assly	76
39	Control Cables	78
40	Chain Case	80
41	Head Lamp & Fairing	82
42	Round Head Lamp	84
43	Indicator Light Assly	86
44	Tail Lamp Assly / Front No. Plate	88
45	Electrical Equipments	90
46	Tool Kit	92
47	Accessories / Grab Handle	94
48	Painted Parts & Decals	96-98
49	Painted Parts and Decals (CT 100B)	100
	Kits List	101-106
	Part Index	107-118

Pictorial Index

<p>PLATE NO. : 1 CYLINDER HEAD</p>	<p>PAGE NO. 2</p>	<p>PLATE NO. : 2 VALVE</p>	<p>PAGE NO. 4</p>
			

<p>PLATE NO. : 3 CAMSHAFT / TENSIONER</p>	<p>PAGE NO. 6</p>	<p>PLATE NO. : 4 CYLINDER & PISTON</p>	<p>PAGE NO. 8</p>
			

Pictorial Index

<p>PLATE NO. : 5 CRANKSHAFT</p>	<p>PAGE NO. 10</p>	<p>PLATE NO. : 6 TRANSMISSION</p>	<p>PAGE NO. 12</p>
			

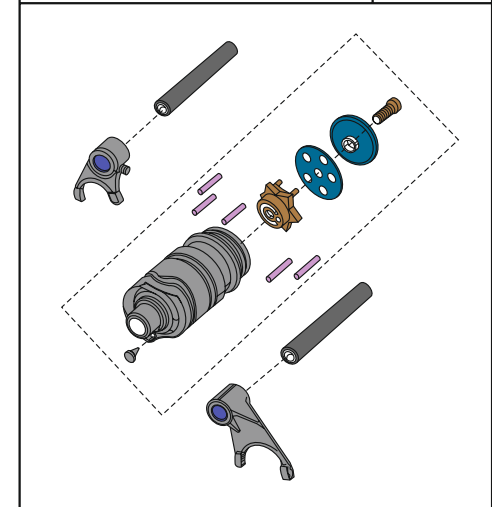
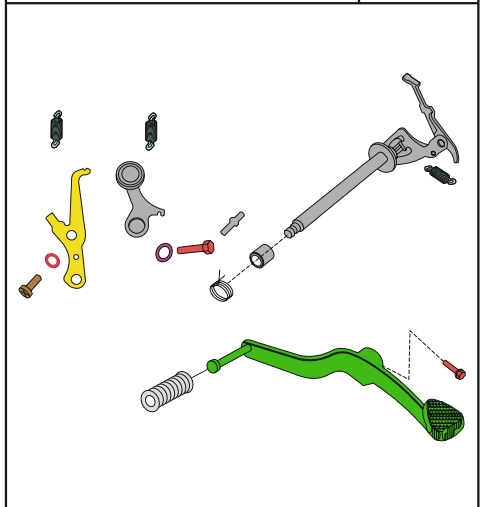
<p>PLATE NO. : 7 CHANGE DRUM / SHIFT FORK</p>	<p>PAGE NO. 14</p>	<p>PLATE NO. : 8 GEAR CHANGE MECHANISM</p>	<p>PAGE NO. 16</p>
			

PLATE NO. : 9 ENGINE ASSLY & CRANKCASE RH	PAGE NO. 18

PLATE NO. : 10 CRANKCASE LH	PAGE NO. 20

PLATE NO. : 11 OIL PUMP	PAGE NO. 22

PLATE NO. : 12 KICK STARTER MECHANISM	PAGE NO. 24

PLATE NO. : 13 COVER CLUTCH	PAGE NO. 26

PLATE NO. : 14 COVER MAGNETO	PAGE NO. 28

PLATE NO. : 15 CLUTCH ASSLY	PAGE NO. 30

PLATE NO. : 16 CARBURETTOR ASSLY	PAGE NO. 32

Pictorial Index

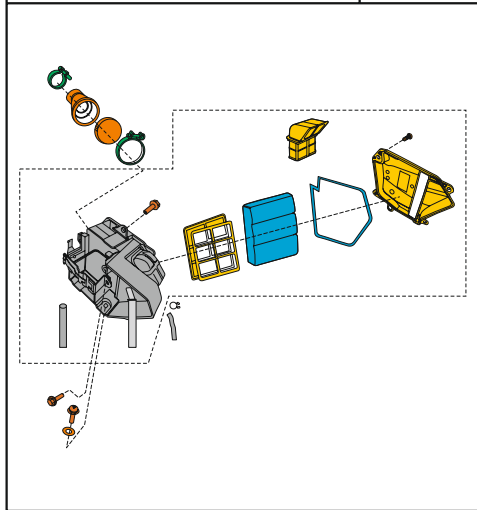
PLATE NO. : 17 AIR CLEANER COMPLETE	PAGE NO. 34
	

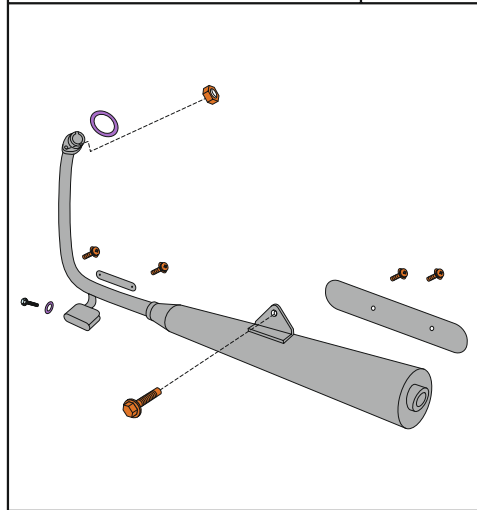
PLATE NO. : 18 SILENCER ASSLY	PAGE NO. 36
	

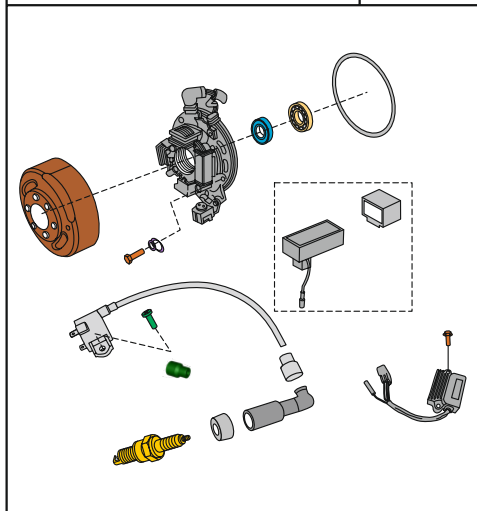
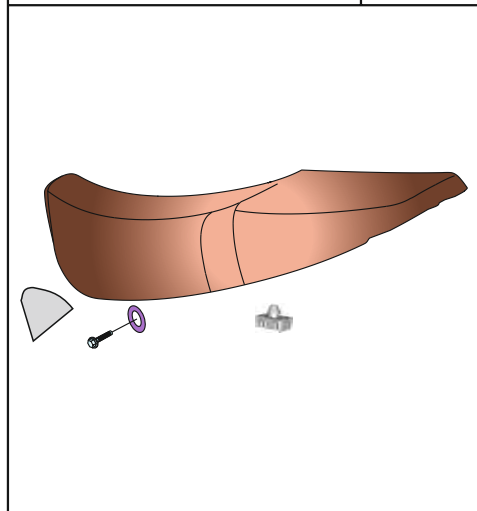
PLATE NO. : 19 MAGNETO, C.D.I. & H.T. COIL	PAGE NO. 38
	

PLATE NO. : 20 SEAT ASSLY & MOUNTING	PAGE NO. 40
	

Pictorial Index

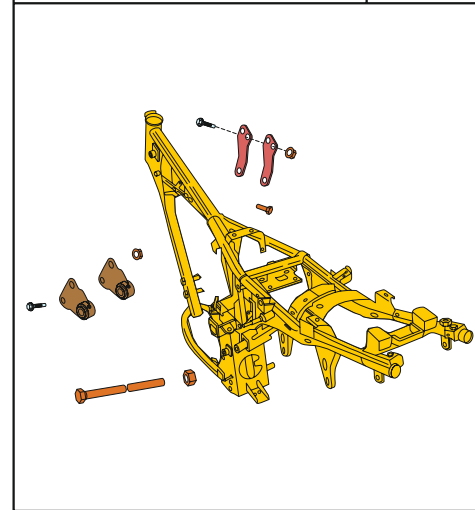
PLATE NO. : 21 ENGINE MOUNTINGS	PAGE NO. 42
	

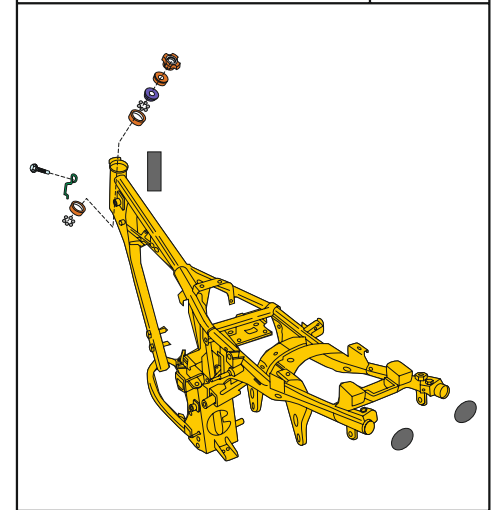
PLATE NO. : 22 FRAME & FRAME FITTINGS	PAGE NO. 44
	

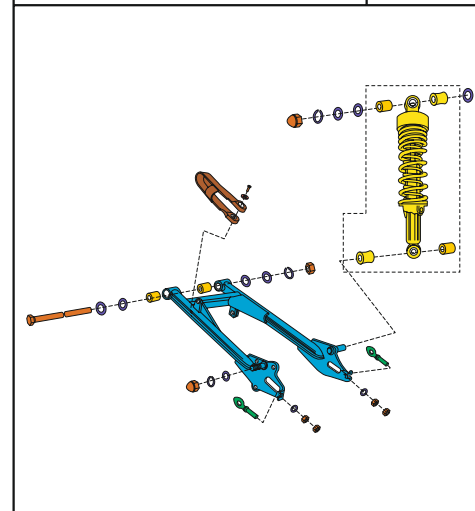
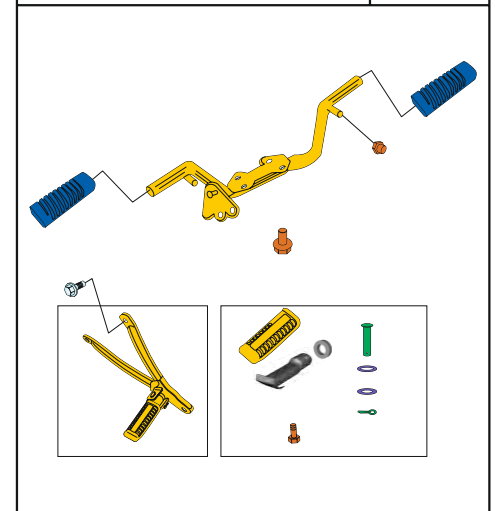
PLATE NO. : 23 SWING ARM/REAR SHOCK ABSORBER	PAGE NO. 46
	

PLATE NO. : 24 FOOT REST - RIDER / PILLION	PAGE NO. 48
	

Pictorial Index

PLATE NO. : 25 MUDGUARD- FRONT & REAR	PAGE NO. 50

PLATE NO. : 26 STAND ASSEMBLY	PAGE NO. 52

PLATE NO. : 27 TYRE/ TUBE / RIM / (ALLOY WHEELS)	PAGE NO. 54

PLATE NO. : 28 TYRE/ TUBE / RIM - (SPOKE WHEELS)	PAGE NO. 56

Pictorial Index

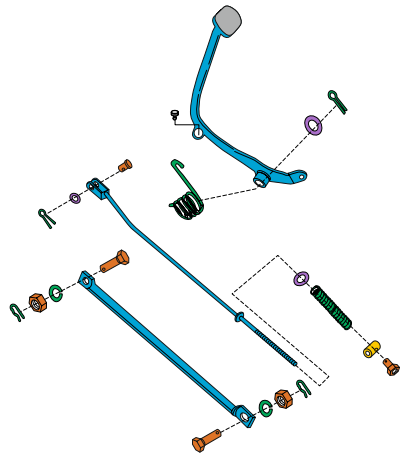
PLATE NO. : 29 FRONT HUB - (ALLOY WHEELS)	PAGE NO. 58

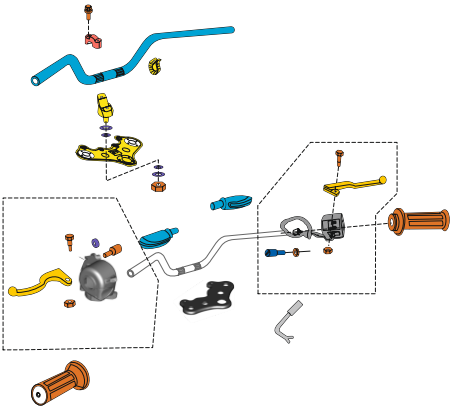
PLATE NO. : 30 FRONT HUB - (SPOKE WHEELS)	PAGE NO. 60

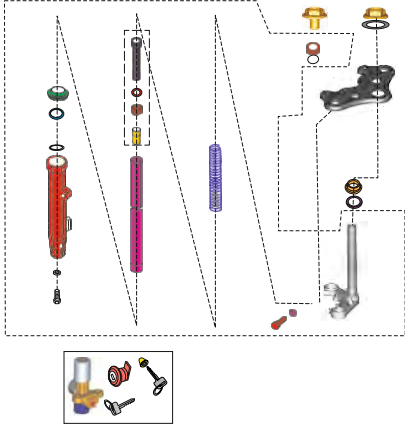
PLATE NO. : 31 REAR HUB - (ALLOY WHEELS)	PAGE NO. 62

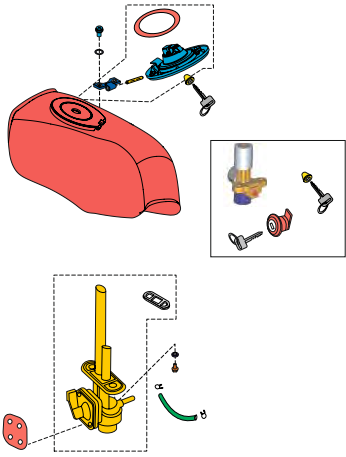
PLATE NO. : 32 REAR HUB - (SPOKE WHEELS)	PAGE NO. 64

Pictorial Index

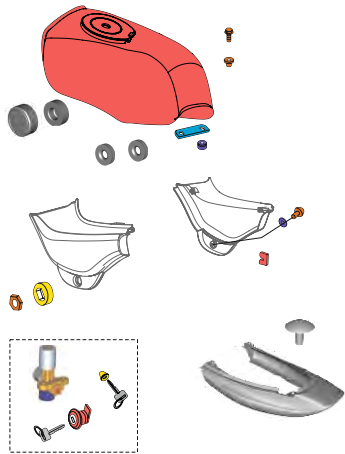
<p>PLATE NO. : 33 REAR BRAKE PEDAL</p>	<p>PAGE NO. 66</p>
	

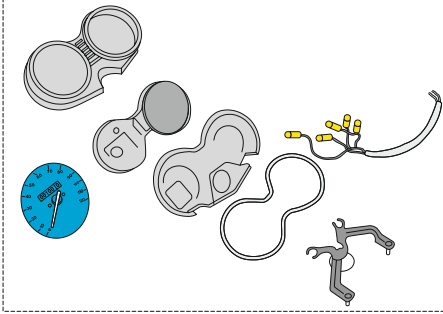
<p>PLATE NO. : 34 HANDLE BAR ASSLY</p>	<p>PAGE NO. 68</p>
	

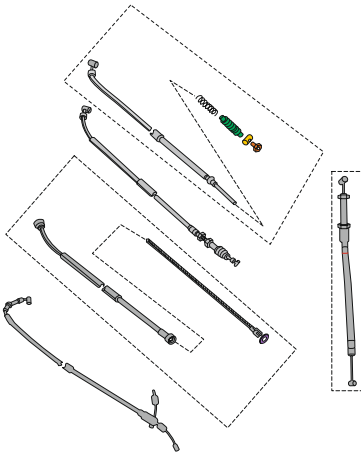
<p>PLATE NO. : 35 FRONT FORK</p>	<p>PAGE NO. 70</p>
	

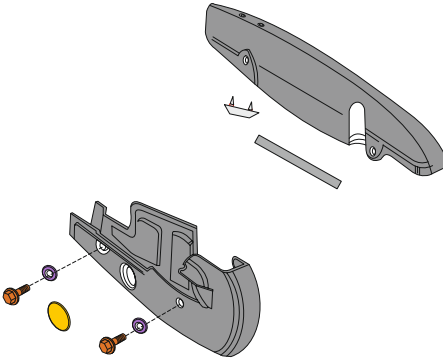
<p>PLATE NO. : 36 PETROL TANK, CAP TANK & GAUGE FUEL</p>	<p>PAGE NO. 72</p>
	

Pictorial Index

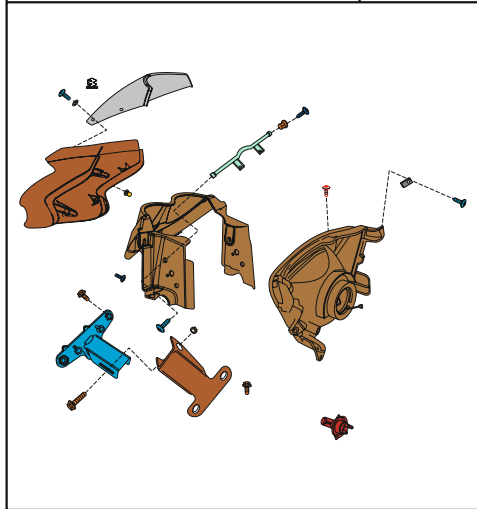
<p>PLATE NO. : 37 FITTINGS - PETROL TANK, SIDE COVERS & SEAT COWL</p>	<p>PAGE NO. 74</p>
	

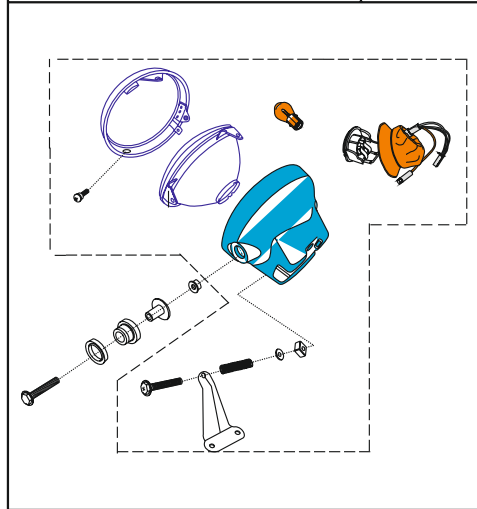
<p>PLATE NO. : 38 METER ASSEMBLY</p>	<p>PAGE NO. 76</p>
	

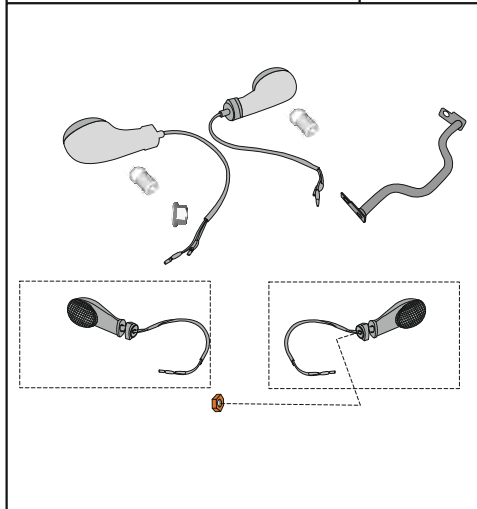
<p>PLATE NO. : 39 CONTROL CABLES</p>	<p>PAGE NO. 78</p>
	

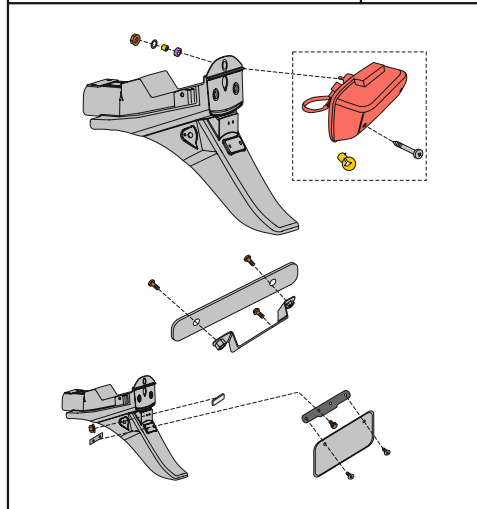
<p>PLATE NO. : 40 CHAIN CASE</p>	<p>PAGE NO. 80</p>
	

Pictorial Index

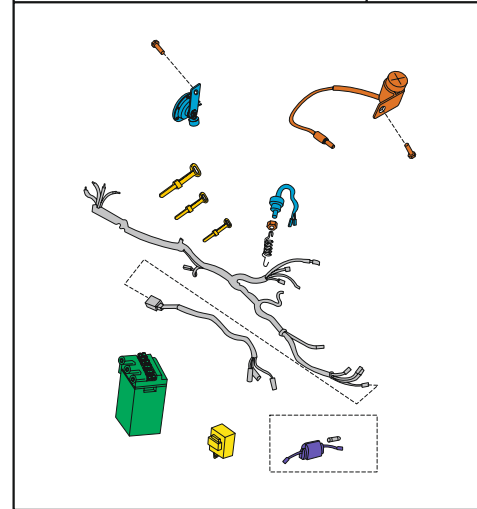
<p>PLATE NO. : 41 HEAD LAMP & FAIRING</p>	<p>PAGE NO. 82</p>
	

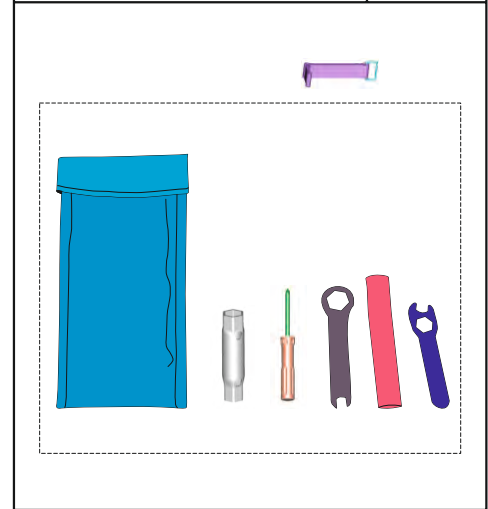
<p>PLATE NO. : 42 ROUND HEAD LAMP</p>	<p>PAGE NO. 84</p>
	

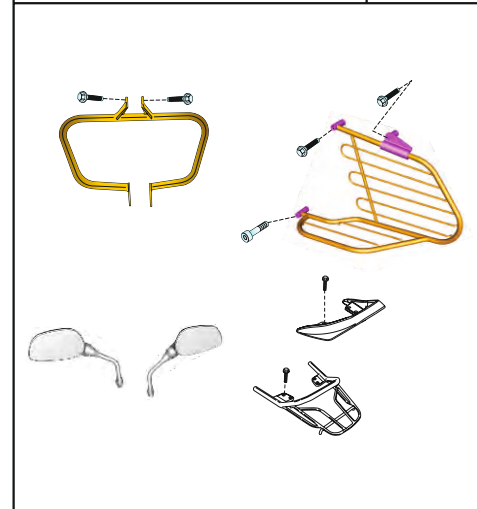
<p>PLATE NO. : 43 INDICATOR LIGHT ASSEMBLY</p>	<p>PAGE NO. 86</p>
	

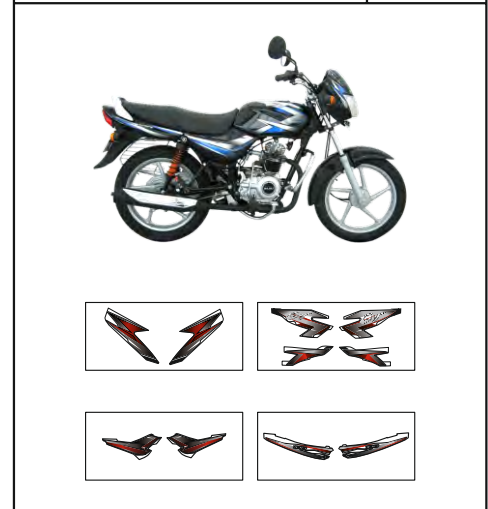
<p>PLATE NO. : 44 TAIL LAMP ASSLY / NUMBER PLATE</p>	<p>PAGE NO. 88</p>
	

Pictorial Index

<p>PLATE NO. : 45 ELECTRICAL EQUIPMENTS</p>	<p>PAGE NO. 90</p>
	

<p>PLATE NO. : 46 TOOL KIT</p>	<p>PAGE NO. 92</p>
	

<p>PLATE NO. : 47 ACCESSORIES / GRAB HANDLE</p>	<p>PAGE NO. 94</p>
	

<p>PLATE NO. : 48 PAINTED PARTS & DECALS</p>	<p>PAGE NO. 96-98</p>
	

Pictorial Index

PLATE NO. : 49
PAINTED PARTS & DECALS

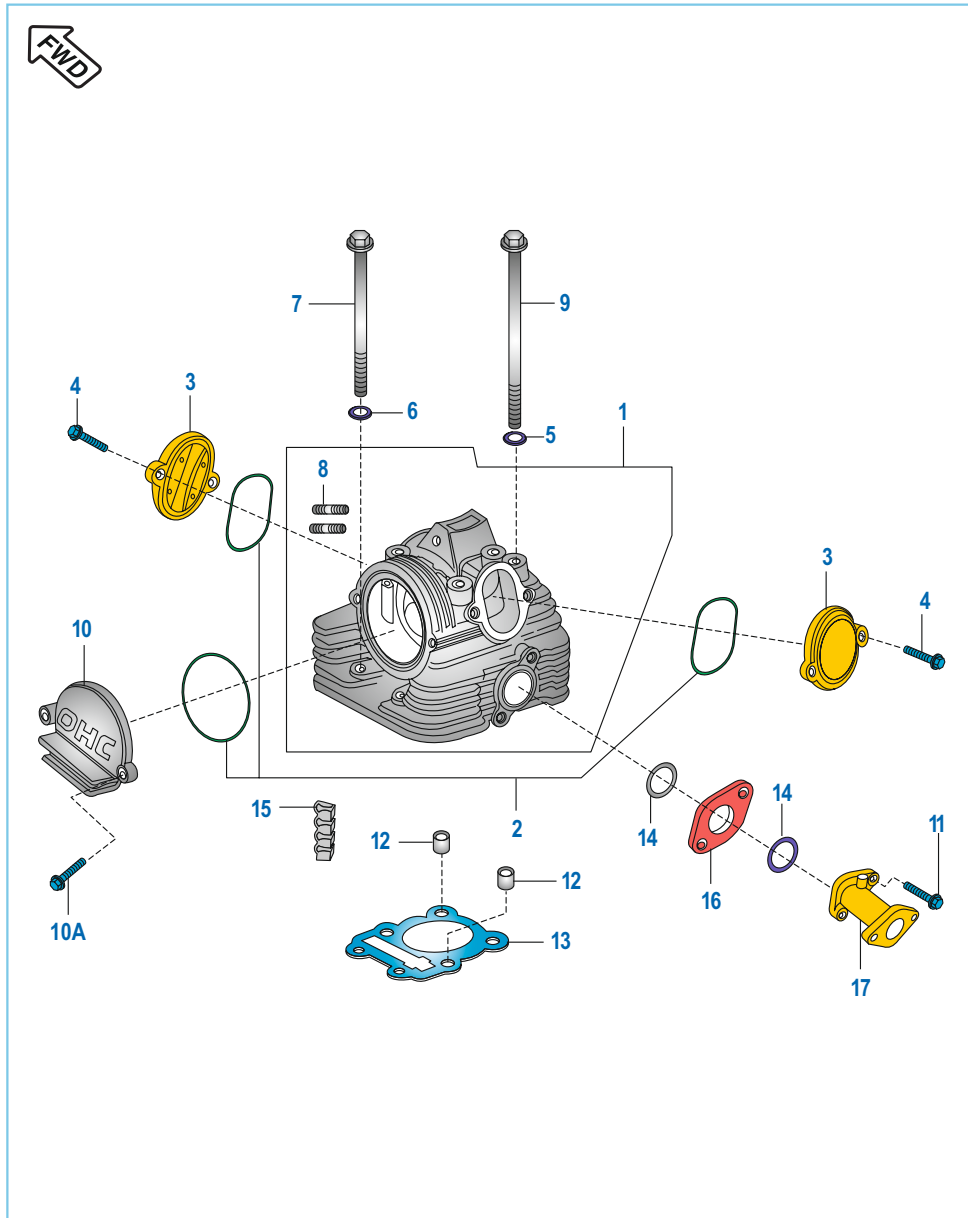
PAGE NO.
100



Pictorial Index

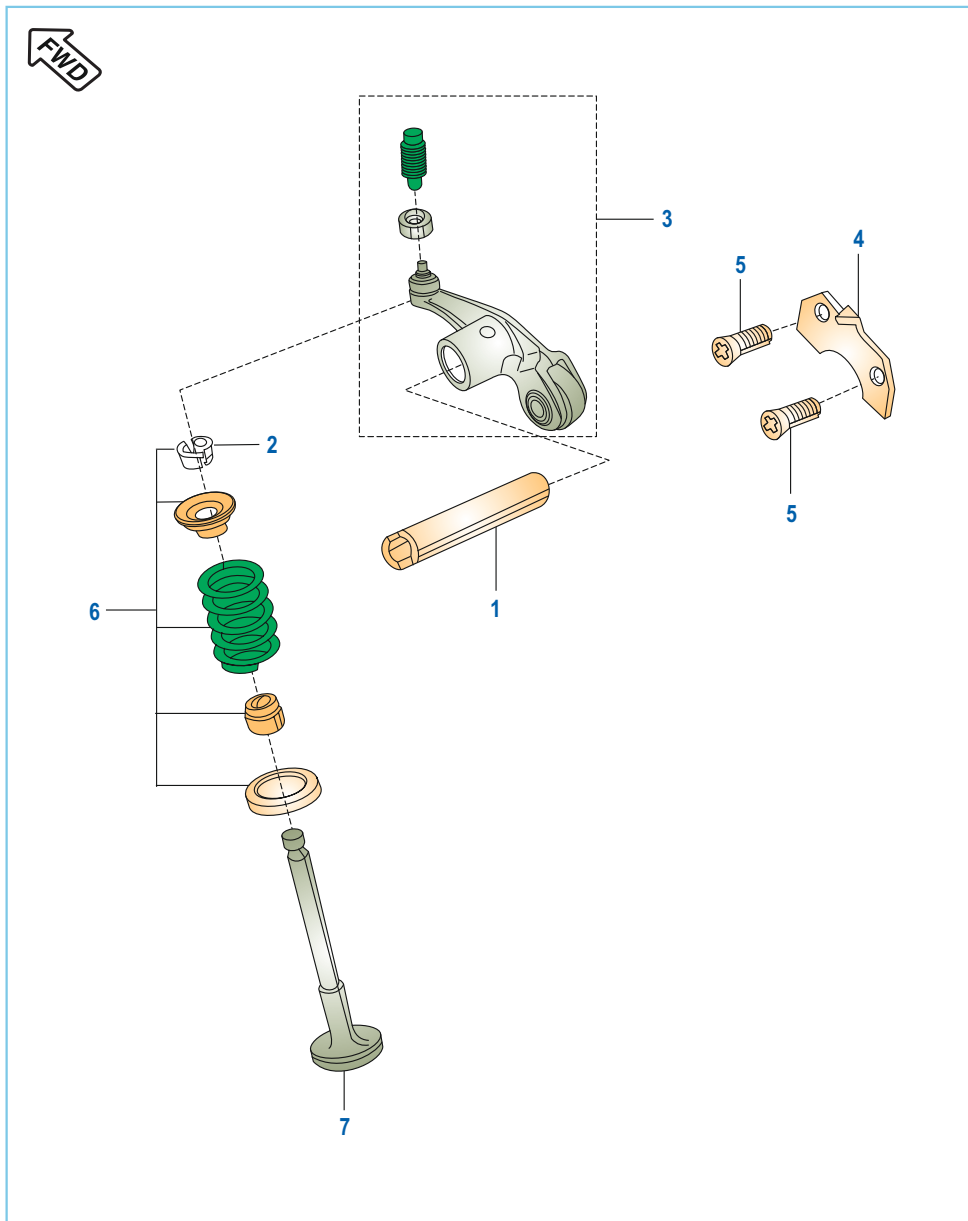
Plate No.: 1

Cylinder Head



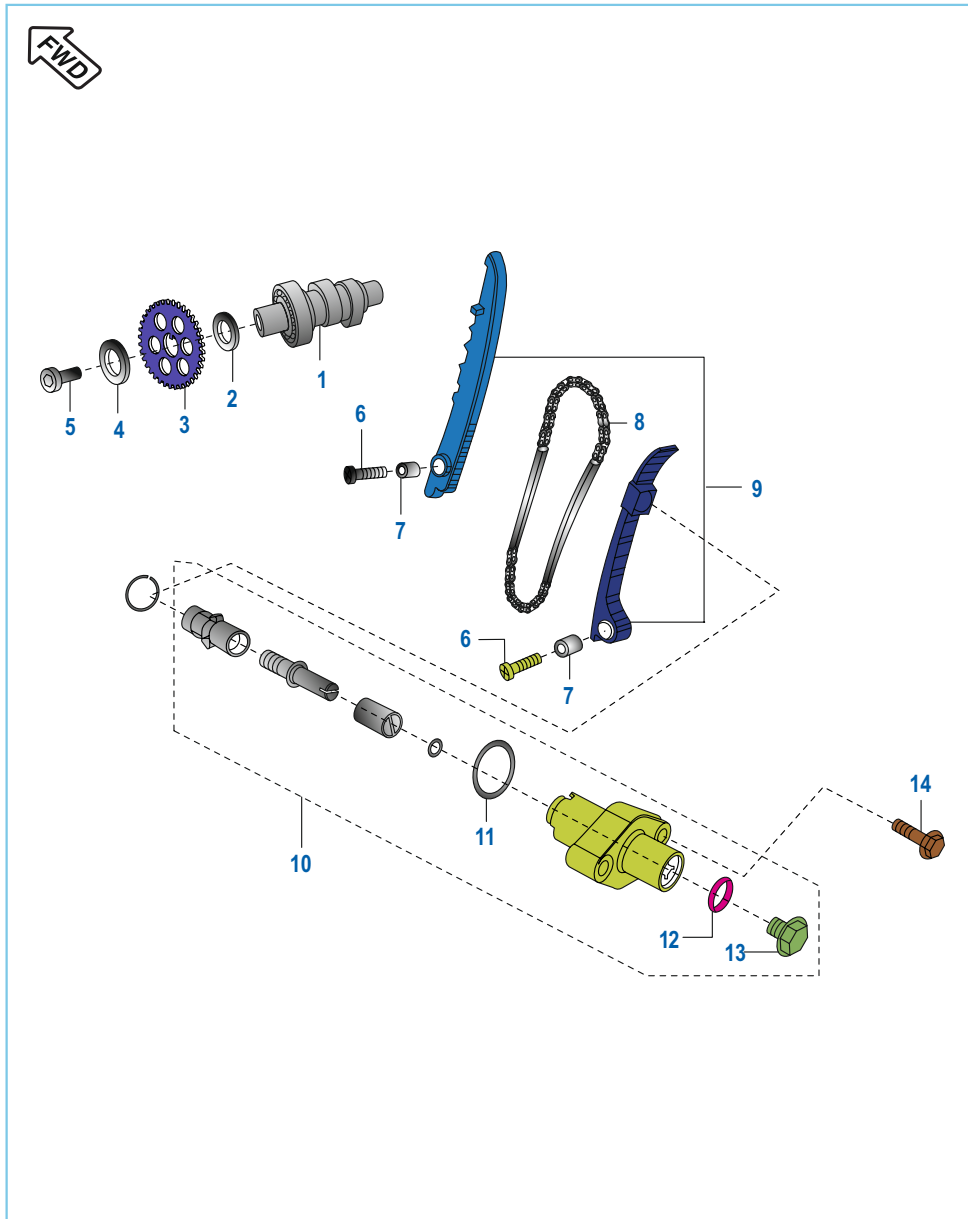
No.	Part No.	Description	CT 100B	Remarks
1	DU 1012 08	Head Comp. Cylinder	1	Refer Page No. 98
2	36 DU10 01	O Ring Kit	1	
3	31 1010 06	Cover Tappet	2	
4	39 1673 04	Flanged bolt	4	Tappet Cover
5	DD 1015 21	Plain washer	4	
6	59 1100 04	Washer	2	
7	DD 1013 47	Bolt	2	
8	DD 1013 50	Stud	2	
9	DD 1013 49	Bolt	4	
10	52 DD02 53	Cover (OHC)	1	
10A	39 1673 04	Bolt Flanged	2	
11	DU 1012 28	Bolt	2	
12	39 1000 06	Hollow Dowel Pin	2	
13	DD 1013 43	Gasket head	1	
14	39 1017 21	O Ring	2	
15	DD 1014 81	Damper Cylinder Head	4	
16	31 1011 75	Insulator (Head Side)	1	
17	DU 1010 58	Pipe Intake	1	

Valve



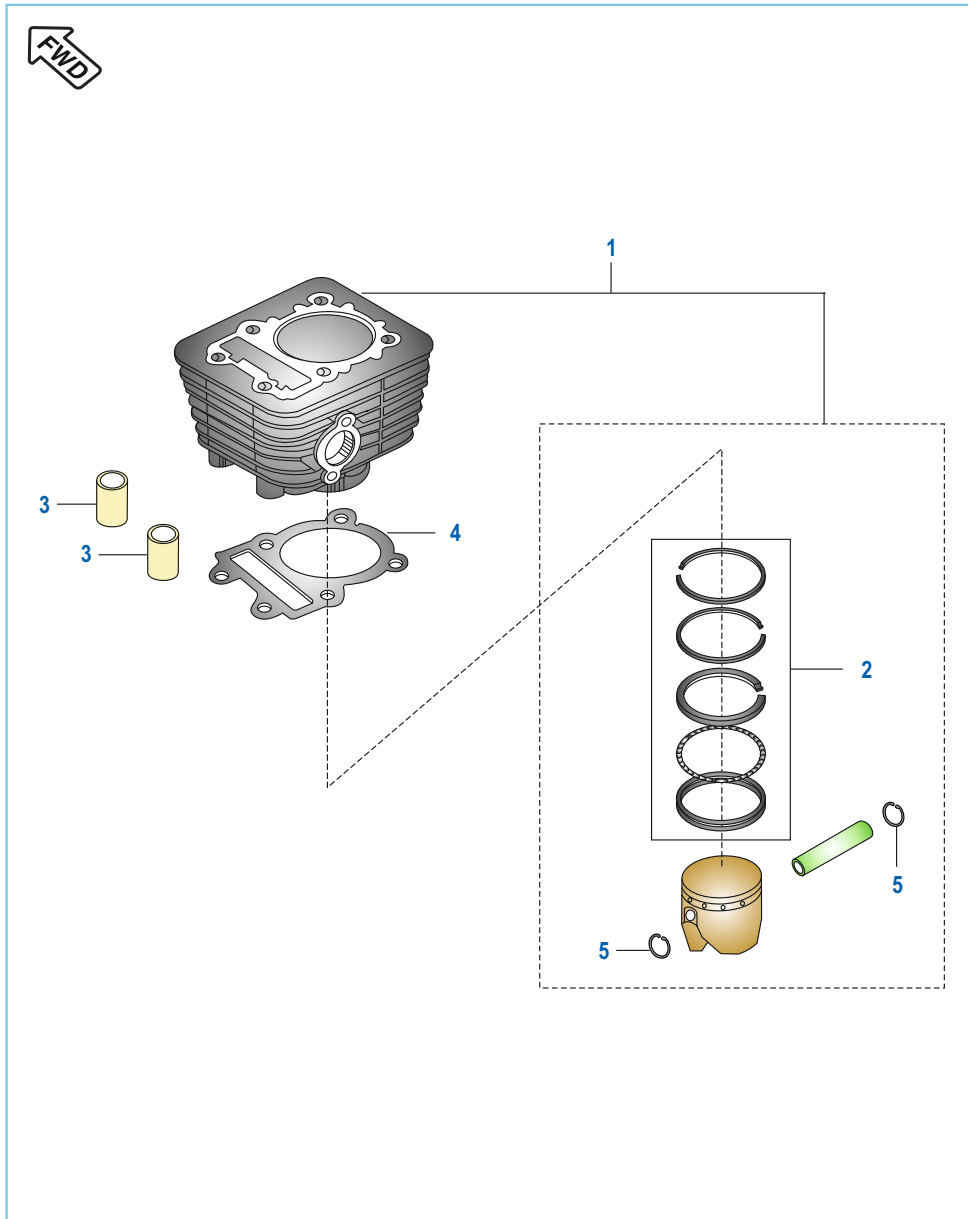
No.	Part No.	Description	CT 100B	Remarks
1	DU 1011 91	Shaft Rocker	2	
2	31 1010 19	Collet	4	
3	DU 1011 90	Rocker arm assembly	2	
4	31 1011 04	Stopper	1	
5	39 0702 01	Screw Pan Cros	2	
6	36 DU40 51	Kit Valve Repair	1	Refer Page No. 98
7	36 3110 28	Valve Kit	1	Refer Page No. 99

Camshaft / Tensioner



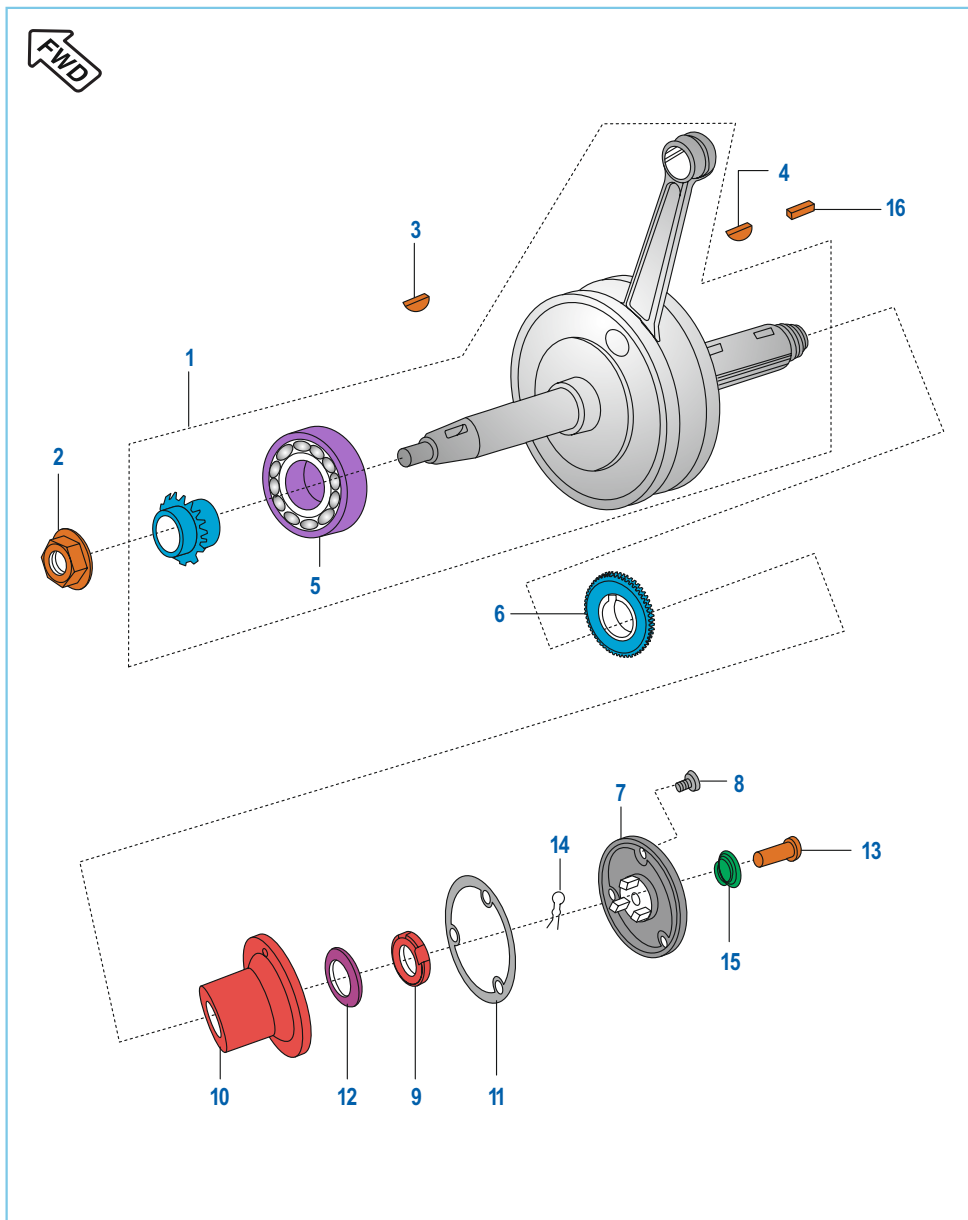
No.	Part No.	Description	CT 100B	Remarks
1	DZ 1010 75	Camshaft assly.	1	
2	DU 1010 67	Collar Cam	1	
3	DU 1010 56	Sprocket (28 T)	1	
4	DU 1010 66	Washer Spl. Cam Shaft	1	
5	DU 1012 25	Hex. Soc. HD Screw	1	
6	39 0748 01	Screw Pan Cross	2	
7	39 0999 06	Hollow Dowel Pin	2	
8	31 1010 33	Chain	1	
9	36 3110 06	Chain Guide Kit	1	Refer Page No. 99
10	DD 1014 07	Tensioner Assly with 'O' ring	1	
11	39 2040 21	O Ring	1	
12	39 1790 21	O Ring	1	
13	DD 1010 62	Bolt	1	
14	LA D000 26	Bolt Flanged Small	2	

Cylinder and Piston



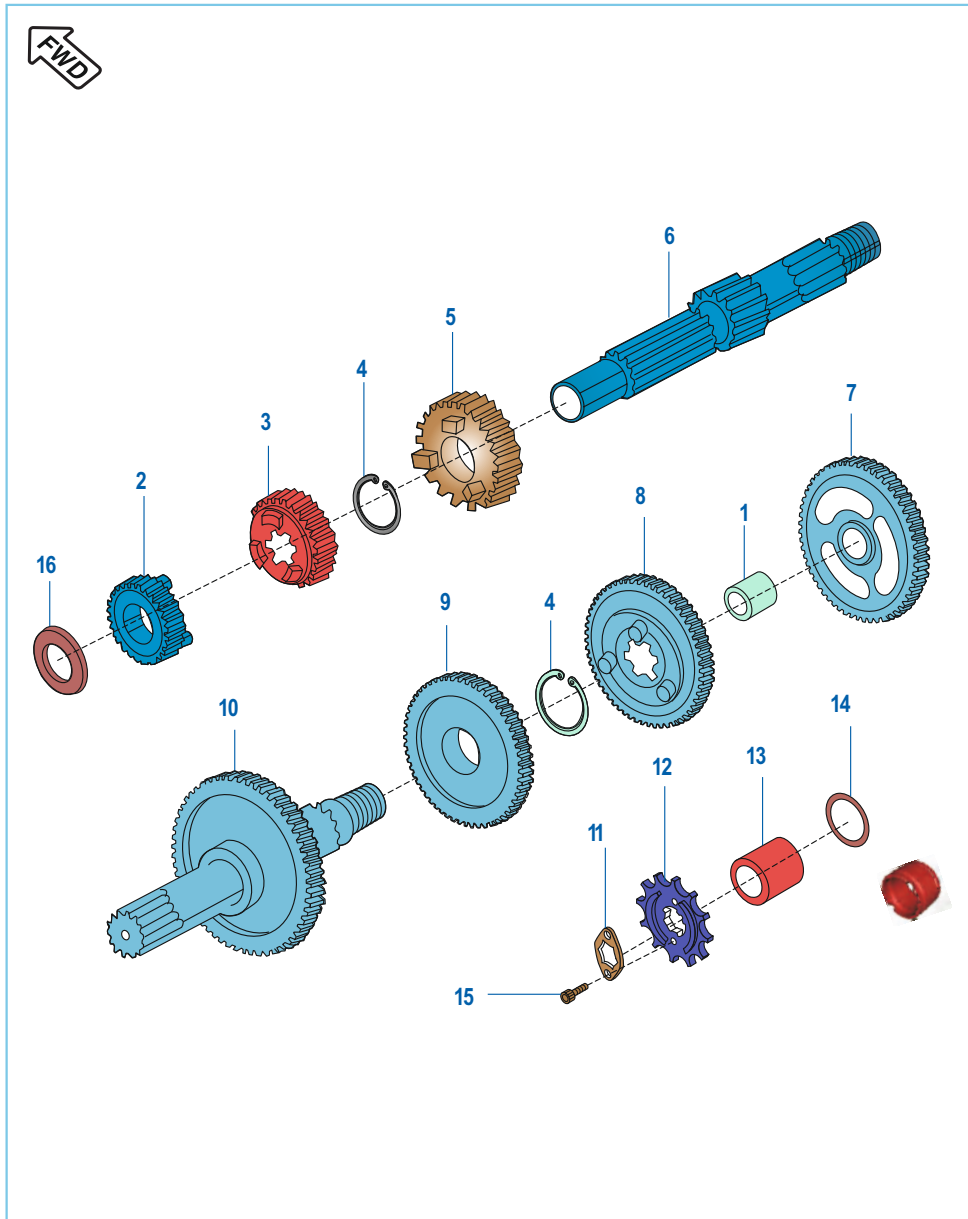
No.	Part No.	Description	CT 100B	Remarks
1	DU 1012 18	Cylinder Block Piston assly	1	Refer Page No. 100
2	36 DD40 01	Piston ring set std.	1	
3	39 1000 06	Hollow dowel Pin	2	
4	DD 1010 07	Gasket - Cyl. Block	1	
5	39 0985 17	Wire Clip	2	

Crankshaft



No.	Part No.	Description	CT 100B	Remarks
1	DU 1010 05	Crankshaft Assly.	1	
2	39 1055 15	Nut	1	
3	01 1006 10	Woodruff Key	1	
4	31 1011 73	Woodruff Key	1	
5	39 1864 20	Bearing ball	1	
6	FA 1013 34	Gear - Oil Pump Drive	1	
7	DU 1010 41	Cover	1	
8	39 1699 01	Countersunk Screw	3	
9	DH 1011 95	Nut	1	
10	DX 1010 53	Body Centrifugal Oil Filter (C.I.)	1	
11	DU 1010 10	Gasket Central Oil Filter	1	
12	39 2200 11	Washer	1	
13	DH 1010 66	Joint Oil Delivery	1	
14	39 2199 08	Pin Snap	1	
15	DH 1010 67	Spring Oil Delivery	1	
16	28 1011 07	Key Woodruff	1	

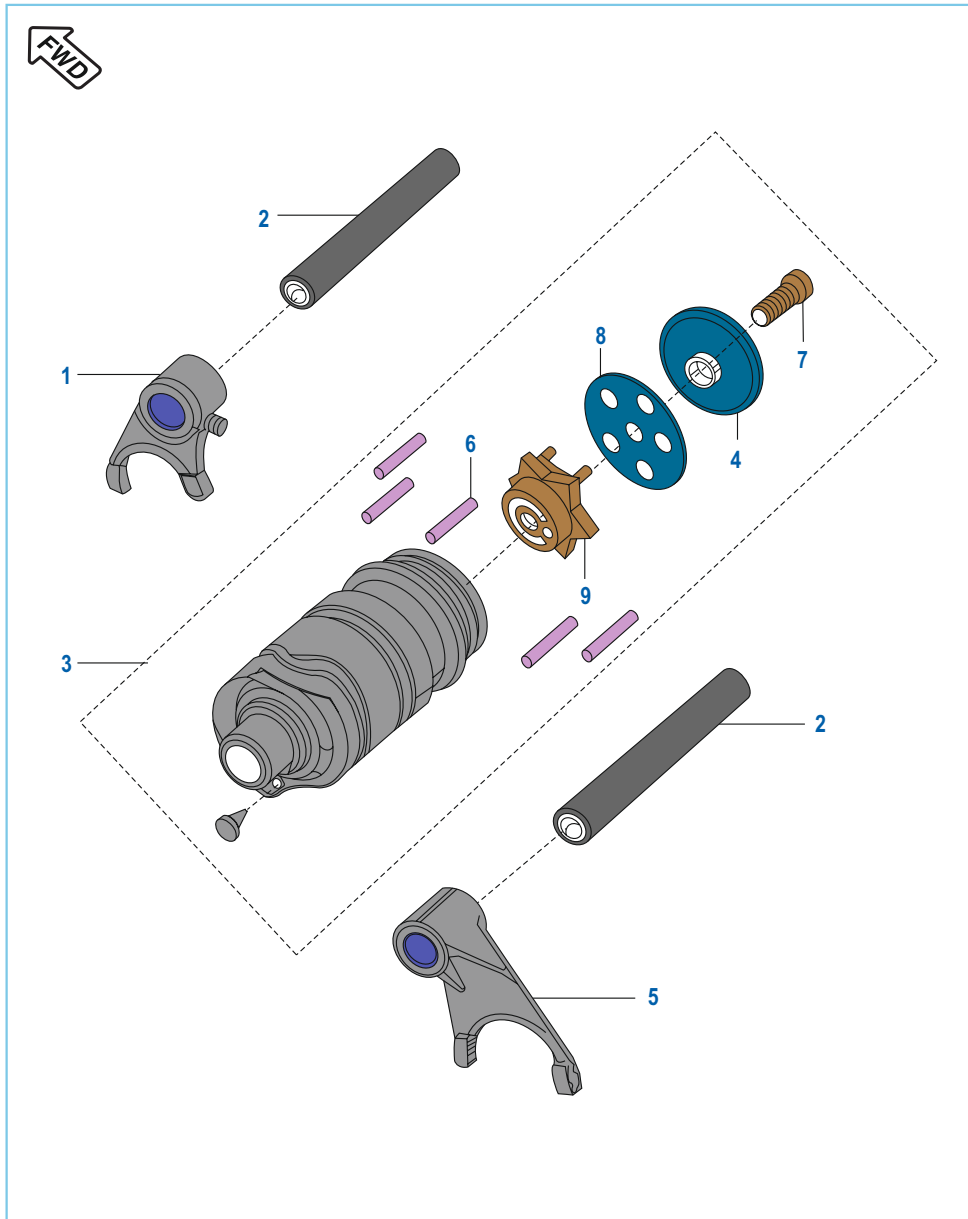
Transmission



No.	Part No.	Description	CT 100B	Remarks
1	DD 1013 09	Bushing Floating	1	
2	DU 1012 79	Gear 2nd Input	1	
3	DX 1010 48	Gear Transmission Spur (3rd)	1	
4	39 0987 17	Ring Snap (16 mm)	2	
5	DX 1010 49	Gear 4th Input	1	
6	DU 1012 78	Shaft Transmission Input	1	
7	DU 1010 80	Gear 1st Output	1	
8	DX 1010 51	Gear 4th Output	1	
9	DX 1010 50	Gear Transmission Spur (3rd)	1	
10	DX 1010 46	Shaft Transmission Output	1	
11	DU 1012 13	Plate For Sprocket Output	1	
12	DX 1010 52	Sprocket Output	1	
13	31 1012 16	Collar (Sintered)	1	
14	DP 1011 68	'O' Ring	1	
15	39 1981 04	Bolt	2	
16	DD 1014 75	Washer Special	1	

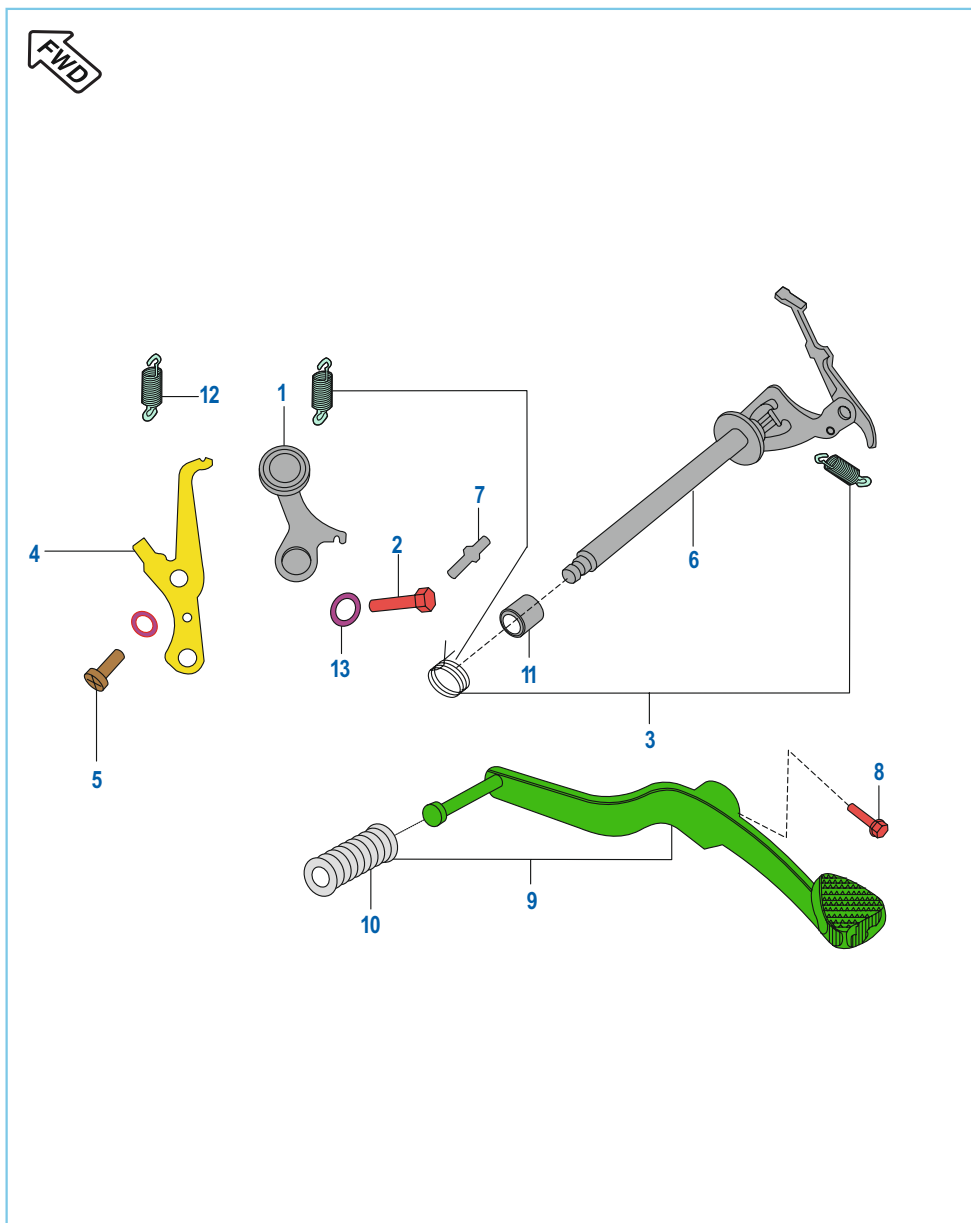
Plate No.: 7

Change Drum / Shift Fork



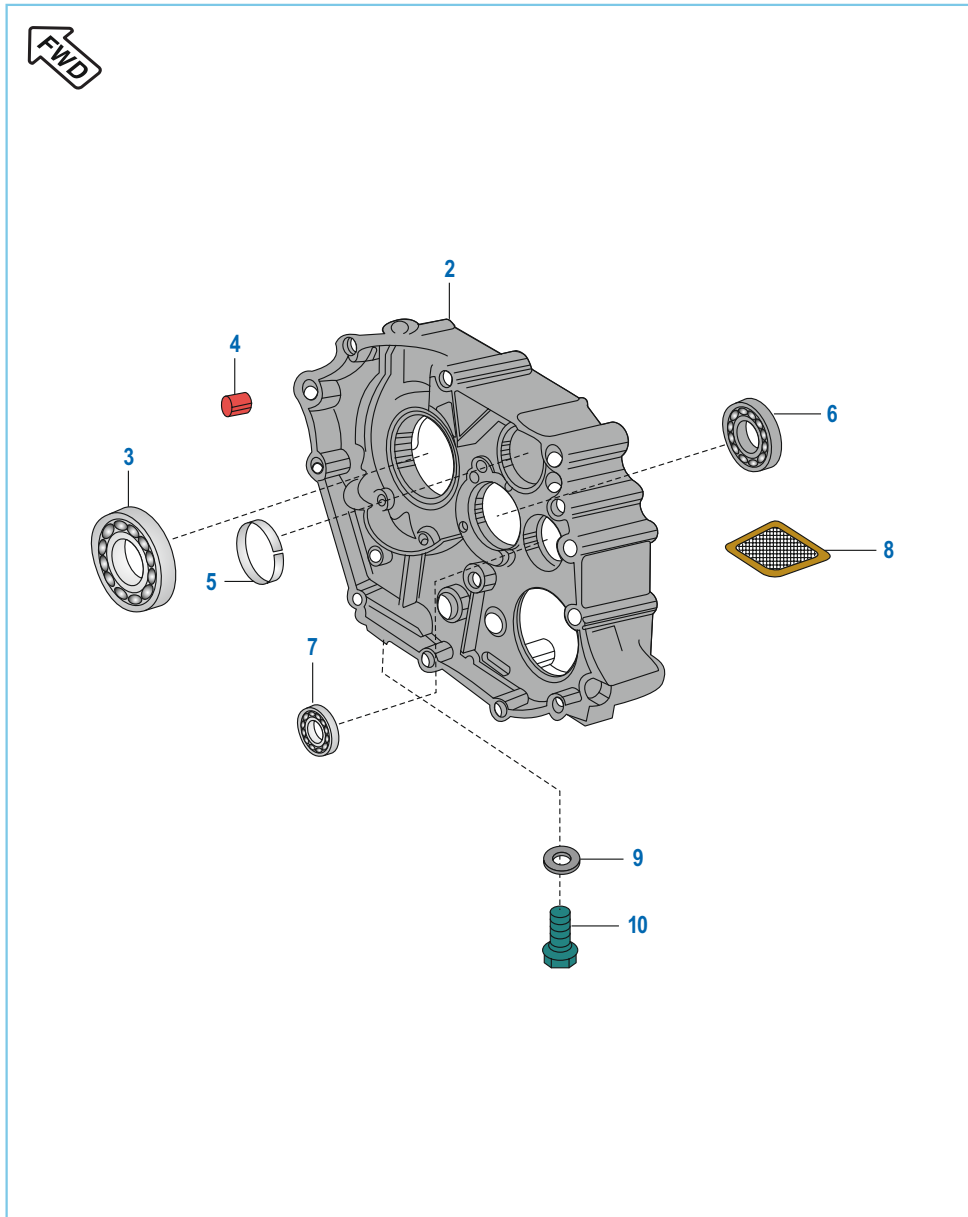
No.	Part No.	Description	CT 100B	Remarks
1	31 1011 91	Fork Shift	1	
2	31 1010 51	Rod shift	2	
3	DU 1010 81	Drum Assly. Change	1	
4	DM 1010 98	Cup Stopper	1	
5	31 1011 92	Fork shift	1	
6	39 0992 06	Pin Dowel	5	
7	DP 1013 40	Bolt Soc. Head	1	
8	DM 1010 99	Plate Spacer	1	
9	DU 1010 83	Cam Drum Change	1	

Gear Change Mechanism



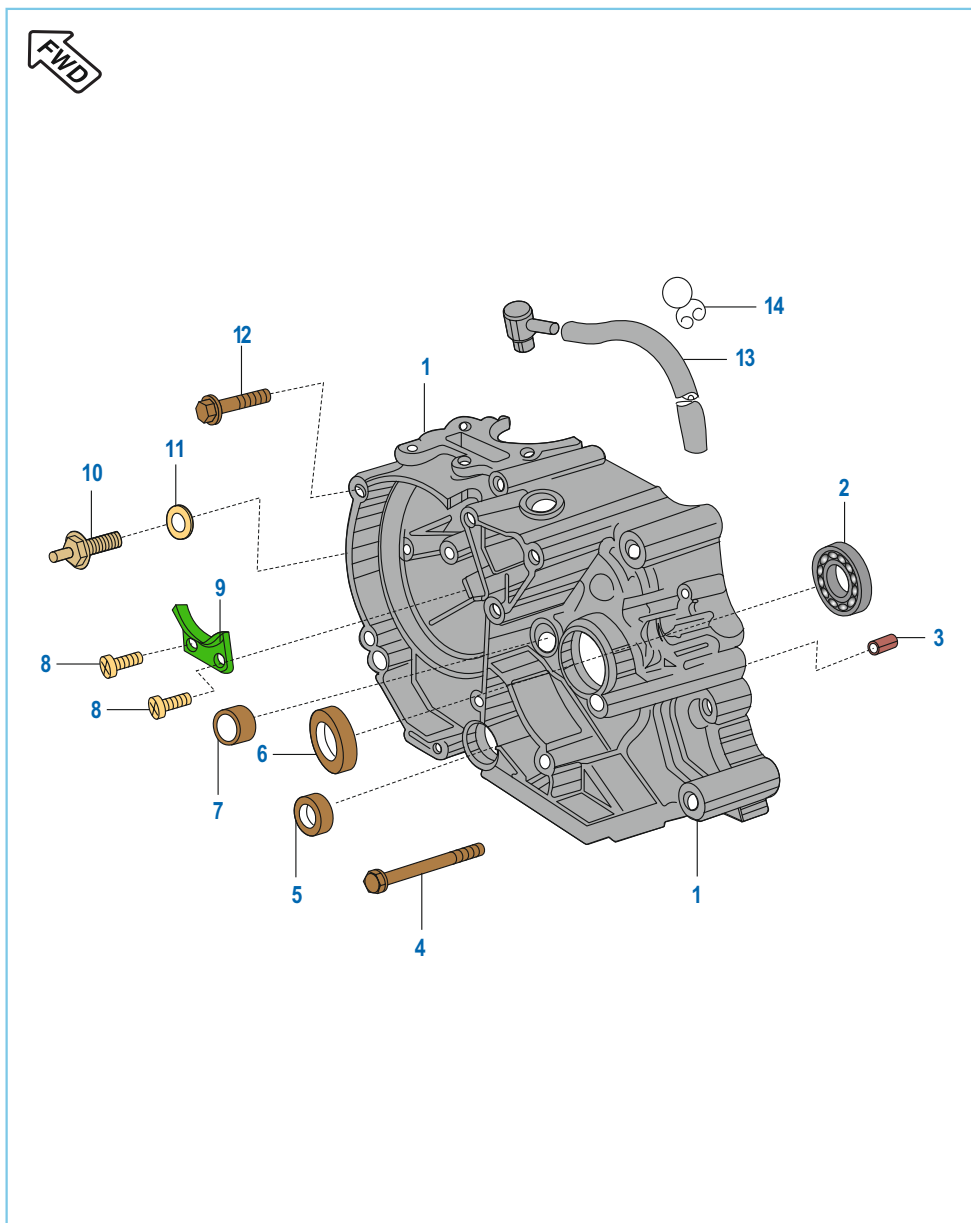
No.	Part No.	Description	CT 100B	Remarks
1	DU 1010 73	Stopper Comp. Gear Shifter	1	
2	39 1994 04	Bolt	1	
3	36 DU10 04	Gear Lever Spring Kit	1	Refer Page No.100
4	DU 1010 74	Plate Position	1	
5	39 0746 01	Screw Pan Cross	1	
6	52 DU01 04	Lever Comp. Change Shaft	1	Shaft+Spring+collar
7	DD 1011 06	Bolt	1	
8	39 2474 04	Flanged bolt	1	
9	DU 1011 85	Lever Change / Damper	1	
10	31 10 1108	Damper	1	
11	31 1011 09	Collar	1	
12	39 2704 11	Washer Spring Steel	1	
13	DU 1011 13	Spacer	1	

Engine Assembly / Crankcase RH



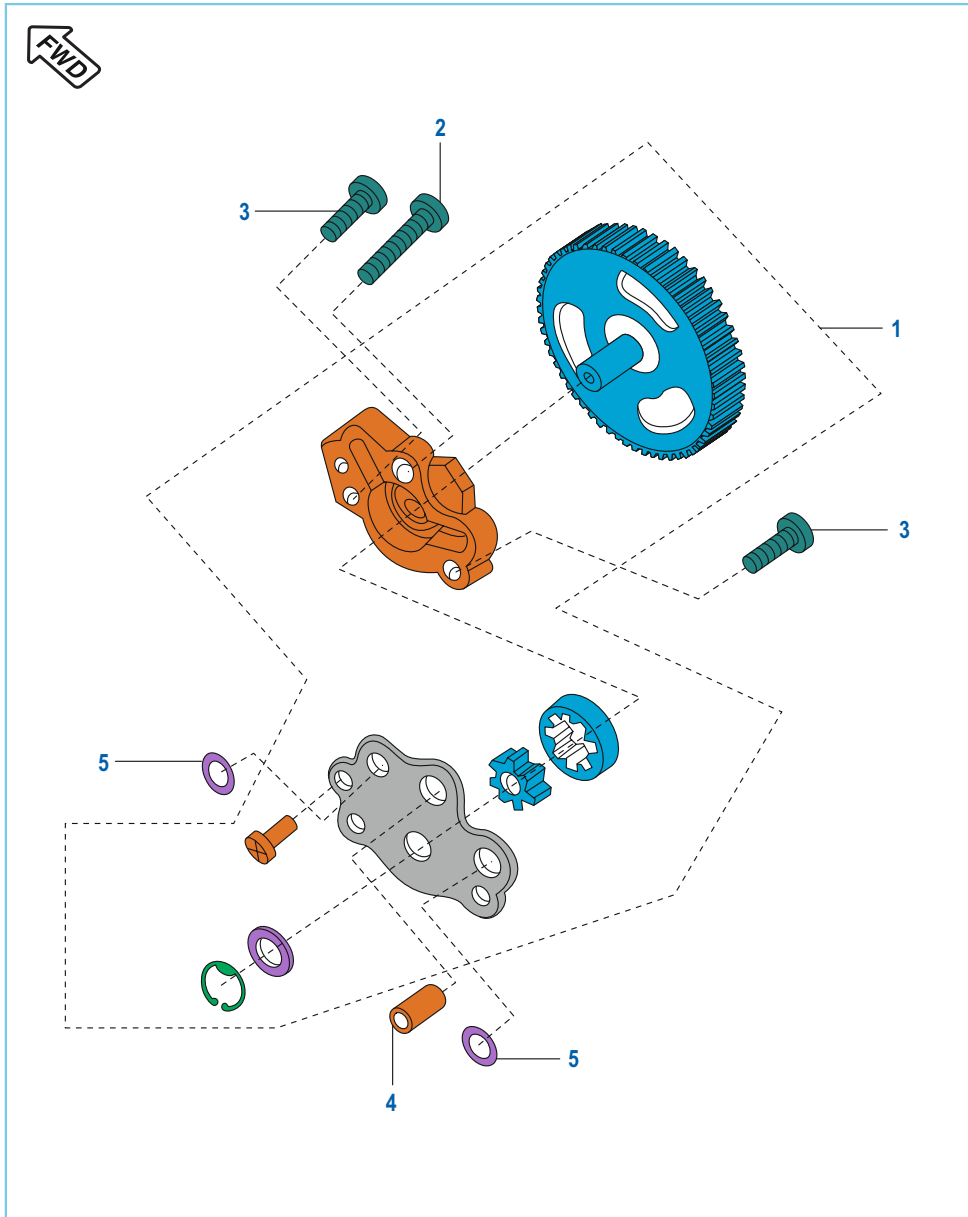
No.	Part No.	Description	CT 100B	Remarks
1	DU 1012 45	Engine Assembly	1	N.I.
2	DU 1010 75	Crankcase RH	1	
3	39 1864 20	Bearing Ball	1	Crankshaft
4	39 0999 06	Dowel Pin	5	
5	DU 1010 85	Bushing	1	
6	01 1701 11	Bearing	1	
7	01 1701 10	Bearing	1	
8	DP 1014 52	Oil Strainer	1	
9	DG 1014 98	Gasket	1	
10	DU 1012 23	Plug (Drain)	1	

Crankcase LH



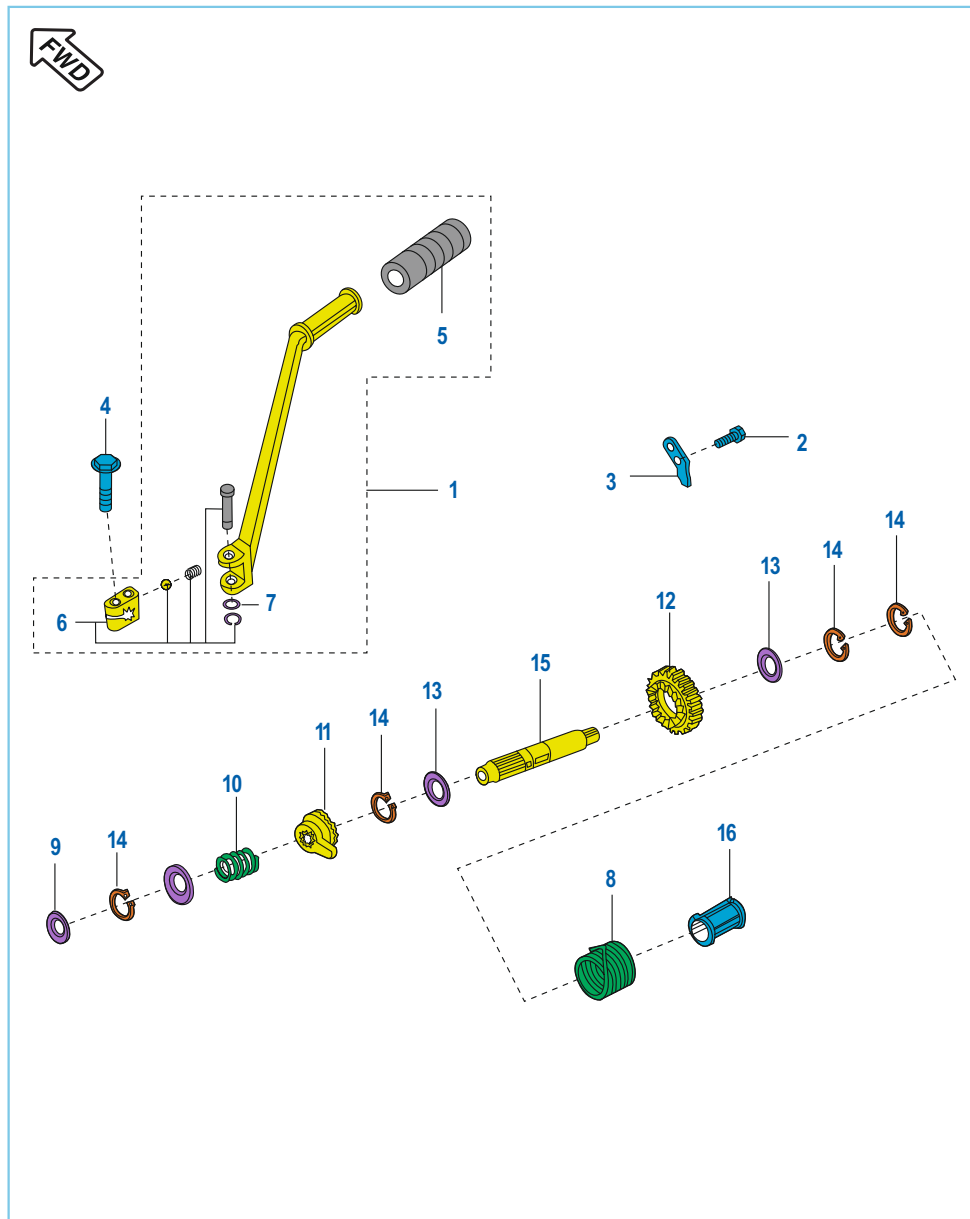
No.	Part No.	Description	CT 100B	Remarks
1	DU 1012 80	Crankcase LH	1	
2	01 1701 11	Ball Bearing	1	
3	BA 1020 06	Dowel Pin	2	
4	39 1066 04	Bolt M6	3	
5	39 1043 19	Oil Seal	1	
6	39 1080 19	Seal Oil	1	
7	39 1008 20	Bearing Needle	1	
8	39 0702 01	Screw Pan Cross	2	
9	31 1010 56	Guide	1	
10	31 2010 81	Neutral Switch Comp	1	
11	DH 1017 84	Gasket Neutral Switch	1	
12	39 1075 04	Bolt Flanged M6	7	
13	DZ 1010 34	Tube rubber	1	
14	DP 1210 25	Clamp	2	

Oil Pump



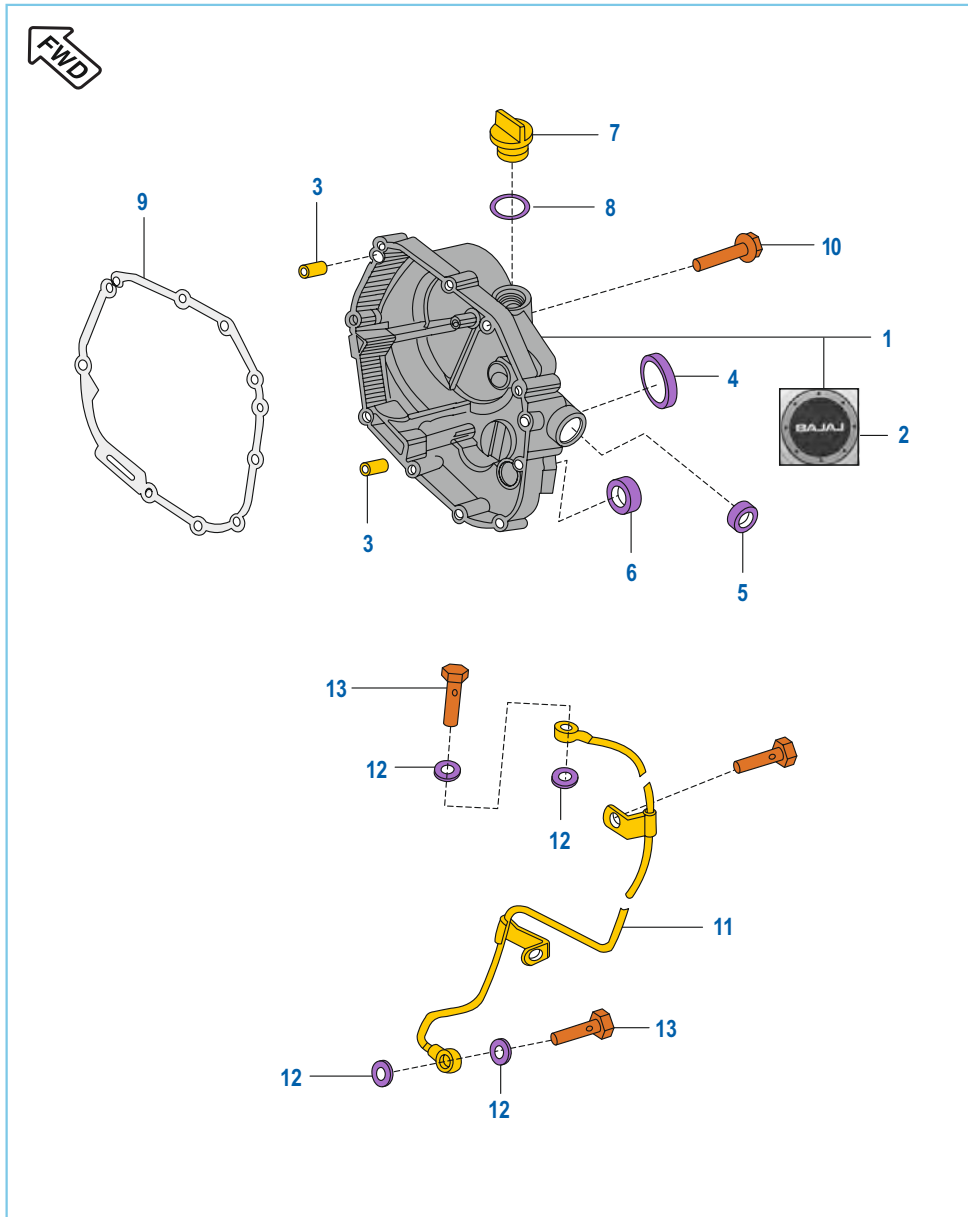
No.	Part No.	Description	CT 100B	Remarks
1	DF 1210 03	Pump Assly. Oil	1	
2	39 0753 01	Screw Pan Cros	1	
3	39 1078 01	Screw Pan Cros	2	
4	39 0999 06	Pin dowel	1	
5	39 1013 21	Ring O	2	

Kick Starter Mechanism

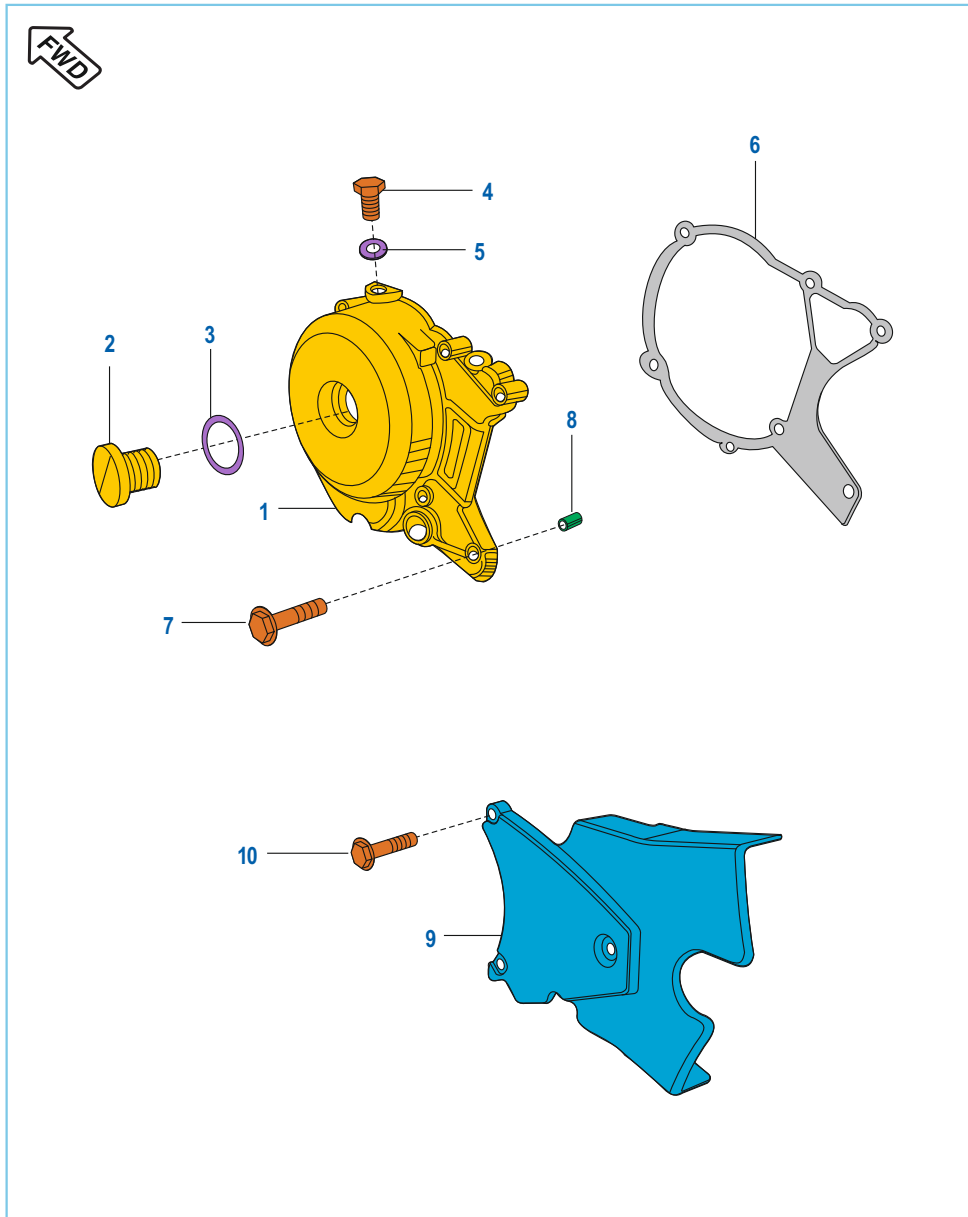


No.	Part No.	Description	CT 100B	Remarks
1	DU 1010 50	Lever Assly Kick Comp.	1	
2	DD 1012 64	Screw Pan Cross	2	
3	DD 1012 54	Guide Kick	1	
4	JA 6212 06	Flanged bolt	1	
5	30 1011 54	Bush (Damper)	1	
6	36 DU10 07	Boss Kick Set	1	Refer Page No.99
7	22 1502 41	Plain Washer	1	
8	31 1010 41	Spring	1	
9	39 0993 11	Plain Washer	1	
10	31 1010 39	Coil Spring	1	
11	31 1010 38	Ratchet	1	
12	DU 1010 38	Gear Spur Kick Start	1	
13	39 0995 11	Plain Washer	2	
14	39 0738 17	External Circlip Type C	4	
15	DU 1010 45	Shaft Kick	1	
16	31 1010 40	Guide	1	

Cover Clutch

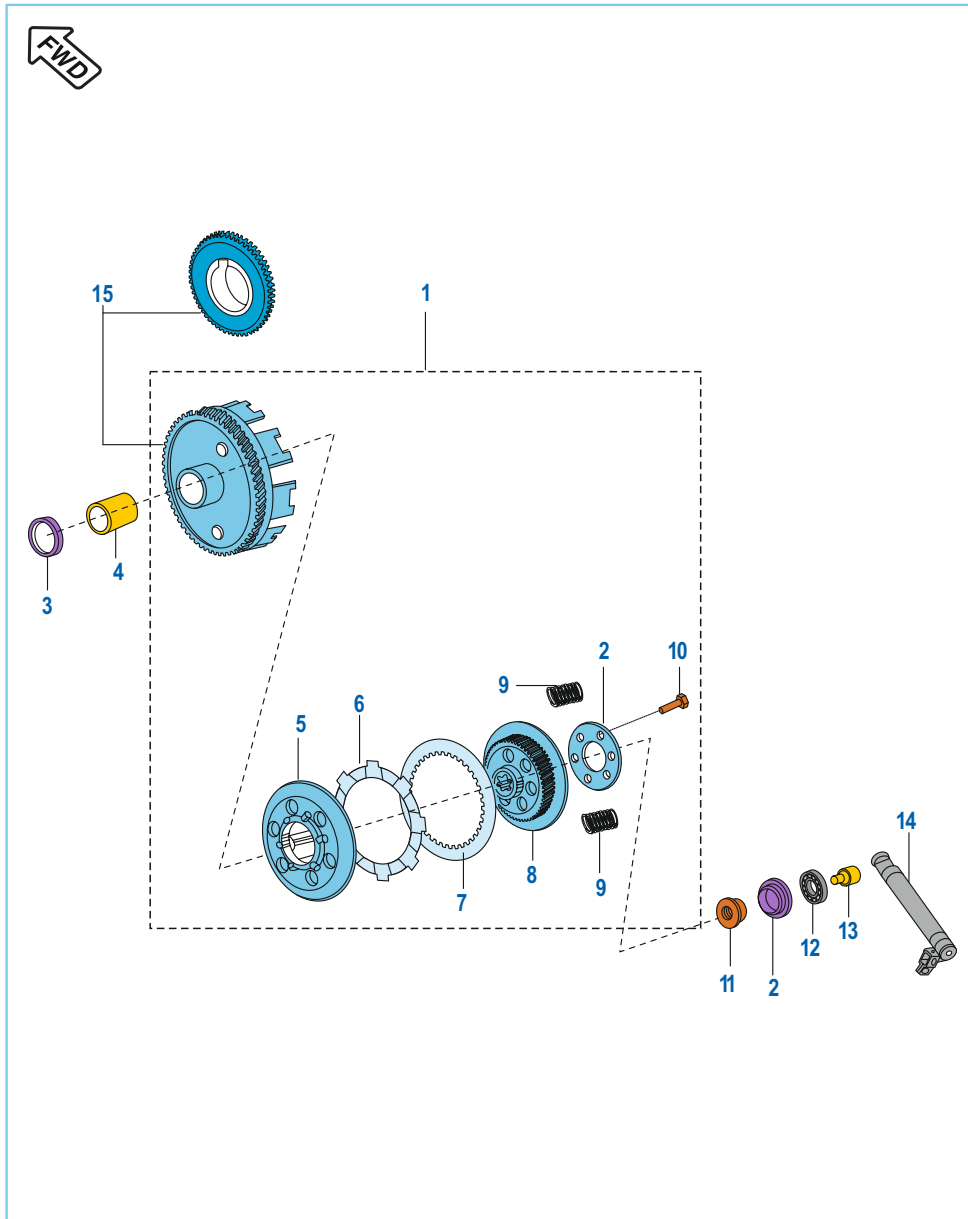


No.	Part No.	Description	CT 100B	Remarks
1	52 DU01 97	Clutch cover & Decal	1	Refer Page No.99
2	DZ 1010 46	Label Clutch Cover	1	
3	39 0999 06	Dowel Pin	2	
4	31 1010 67	Gauge	1	
5	39 1041 19	Seal oil	1	
6	30 1011 42	Seal oil	1	
7	DD 1013 25	Cap oil filler	1	
8	39 2134 21	O ring	1	
9	DM 1011 40	Gasket (Clutch cover)	1	
10	39 1075 04	Bolt flanged small	10	
11	DU 1210 05	Pipe Oil	1	
12	DD 1015 17	Gasket	4	
13	39 1023 04	Bolt	3	



Cover Magneto

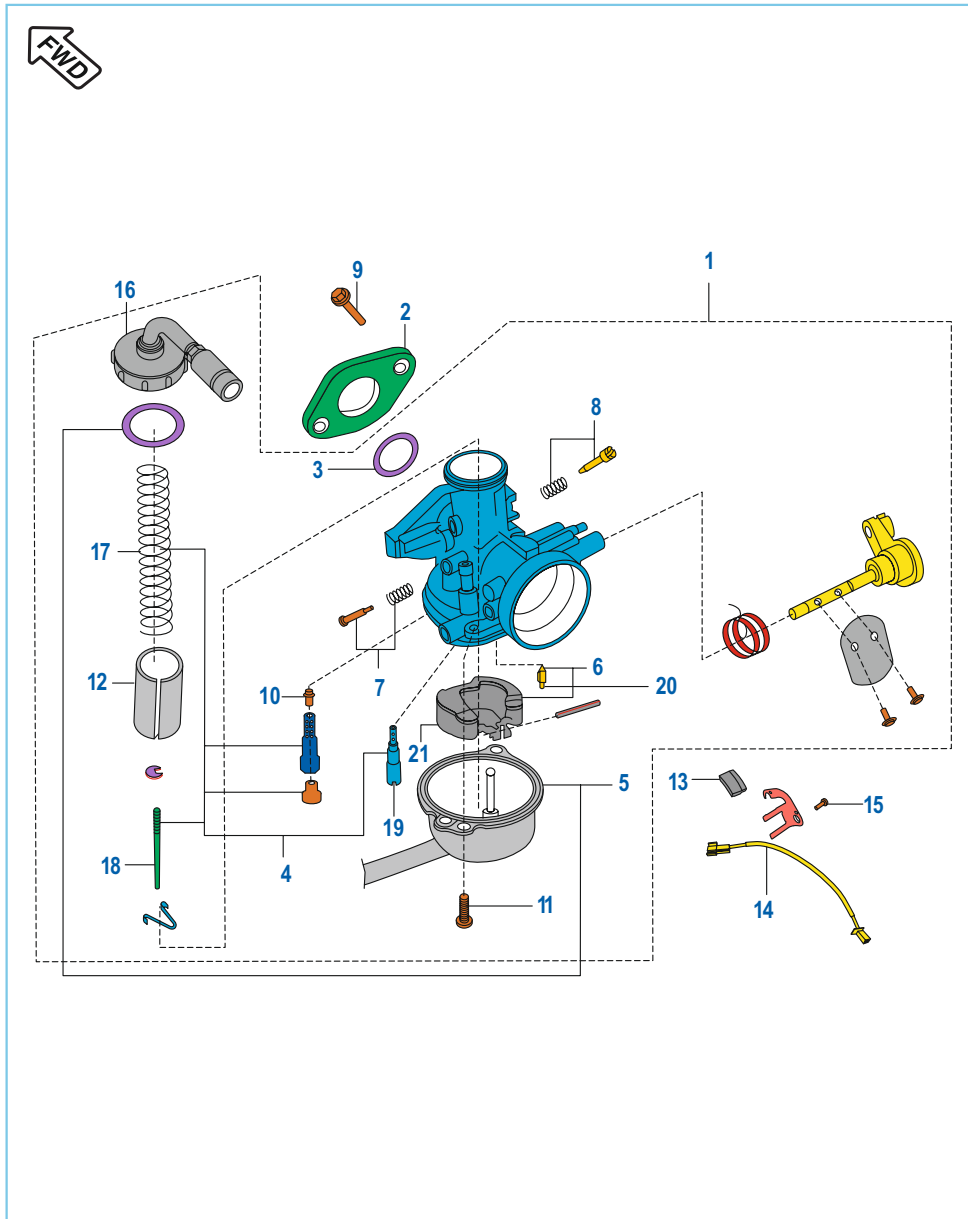
No.	Part No.	Description	CT 100B	Remarks
1	52 DU01 56	Assly Cover Generator	1	
2	31 1010 62	Bolt	1	
3	39 1019 21	Ring O	1	
4	31 1010 61	Plug	1	
5	31 1011 13	Gasket	1	
6	DM 1011 39	Gasket - Generator Cover	1	
7	39 1074 04	Bolt Flanged Small	5	
8	39 0999 06	Pin	2	
9	52 DM00 86	Cover Chain	1	
10	39 2147 04	Bolt Flanged Small	3	



Clutch Assy

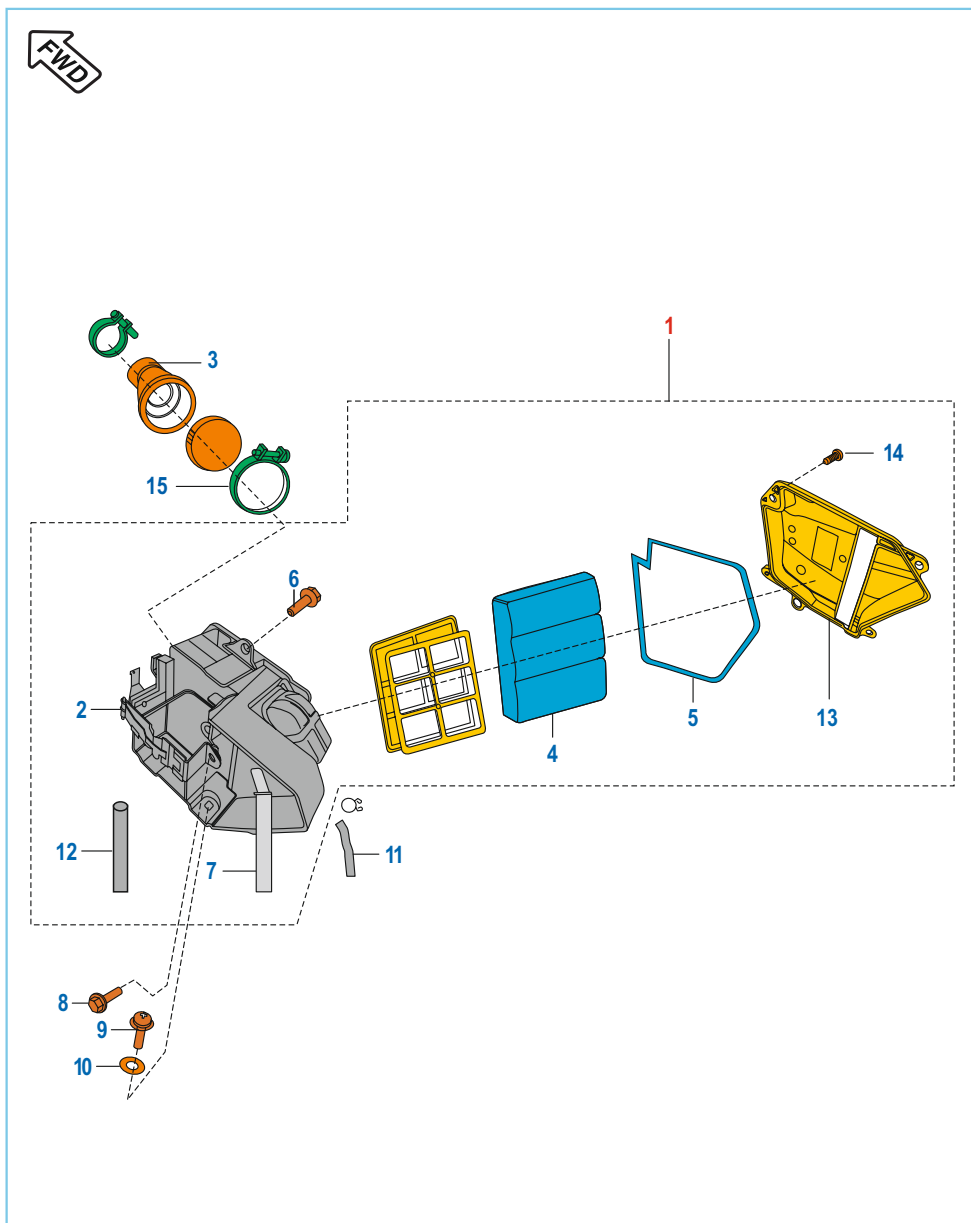
No.	Part No.	Description	CT 100B	Remarks
1	DX 1010 55	Clutch Assembly	1	
2	31 1011 37	Holder	1	
3	39 2600 11	Plain Washer	2	
4	DU 1011 09	Collar	1	
5	DD 1014 92	Wheel Clutch	1	
6	36 DD40 08	Kit Plate Friction	1	Refer Page No.100
7	30 1010 96	Plate Clutch	4	
8	DD 1014 93	Hub Clutch	1	
9	28 1012 14	Spring	6	
10	39 0980 04	Hex. Bolt	6	
11	39 1053 15	Hex.Nut / Flange	1	
12	39 2403 20	Bearing	1	
13	31 1011 48	Rod Push	1	
14	DX 1010 35	Lever Assly. Complete	1	
15	36 DU40 55	Kit Gear Primary Drive + Driven	1	Refer Page No.99

Carburetor Assembly



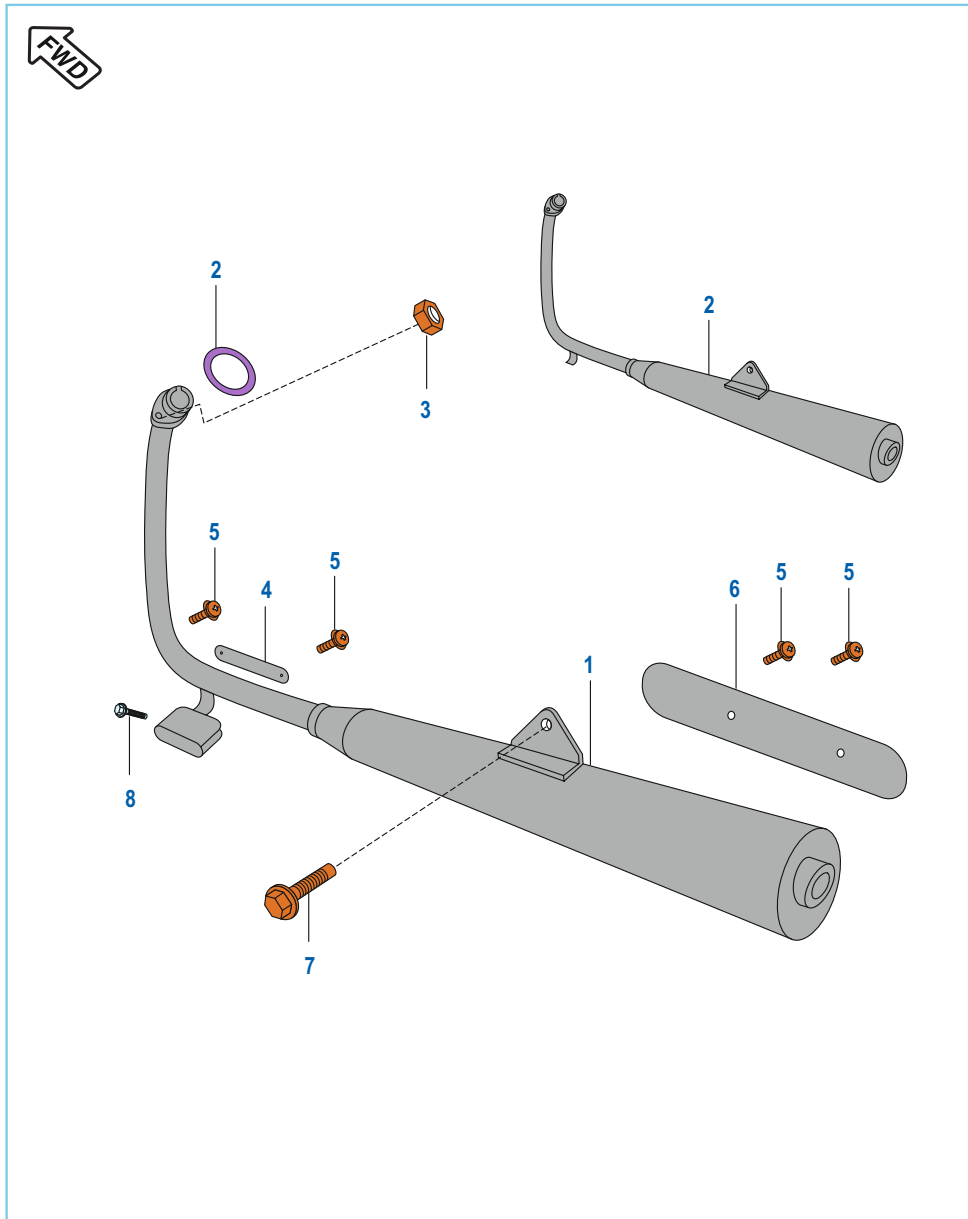
No.	Part No.	Description	CT 100B	Remarks
1	DU 1210 09	Carburetor Assly. (PB-16)	1	
2	DU 1010 57	Insulator (Carburetor / Intake)	1	
3	39 1283 21	O ring	1	
4	36 DU12 06	Carburetor Holder / Jet Kit	1	
5	36 DU12 04	Gasket O ring Kit for Carb.	1	
6	36 DU12 05	Carburetor Float pin Kit	1	
7	36 DU12 02	Idling Screw kit	1	
8	36 DU12 03	Air Control Screw Kit	1	
9	DU 1012 28	Flanged bolt	2	
10	DU 1210 28	Seat for Jet Needle	1	
11	DD 1211 71	Screw with washer	2	
12	DU 1210 17	Valve throttle	1	
16	DU 1210 22	Cap Assly.	1	
17	DU 1210 21	Spring Throttle	1	
18	DU 1210 18	Needle Jet	1	
19	DU 1210 13	Jet Pilot	1	
20	DD 1211 68	Valve Float	1	
21	DU 1210 15	Float	1	

Air Cleaner Complete



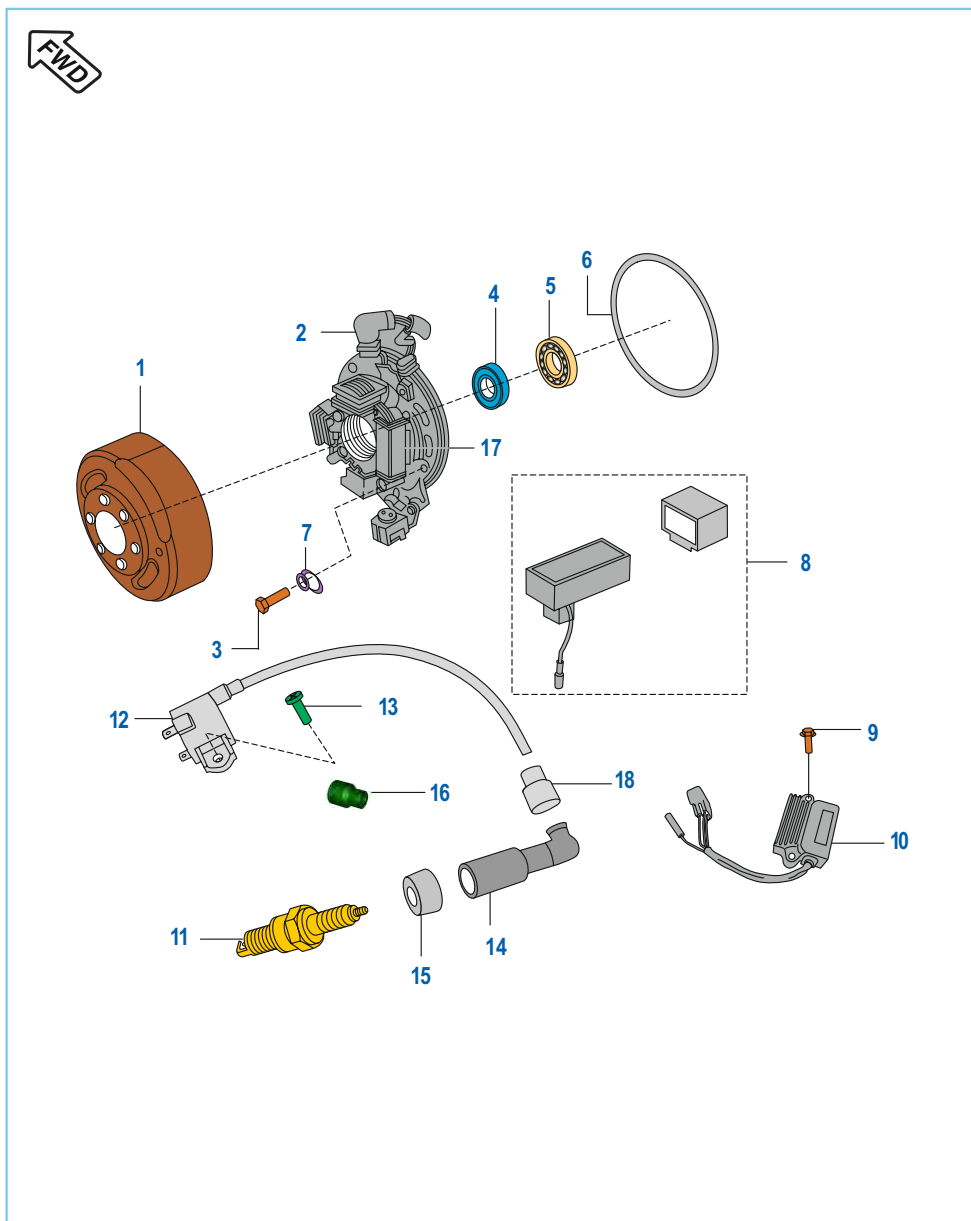
No.	Part No.	Description	CT 100B	Remarks
1	DF 1210 23	Filter assly air	1	
2	39 0147 08	Pin Split	1	
3	DU 1210 08	Duct (A/F to Carburettor)	1	
4	31 1210 29	Element air filter	1	
5	DM 1210 07	Ring O Air Filter	1	
6	DF 1614 26	Bolt Steeped Flanged	1	
7	DM 2210 01	Band - Tool kit	1	
8	39 1680 04	Flanged bolt (Battery)	1	
9	39 2407 01	Screw (Mounting air filter)	2	
10	39 1789 24	Washer (Nylon)	2	
11	DM 1210 10	Band (Battery)	1	
12	DM 1210 14	Tube oil drain	1	
13	DM 1210 04	Cap/Cover Air Filter	1	
14	39 0830 01	Screw	4	
15	DH 1210 38	Clamp	1	

Silencer Assembly



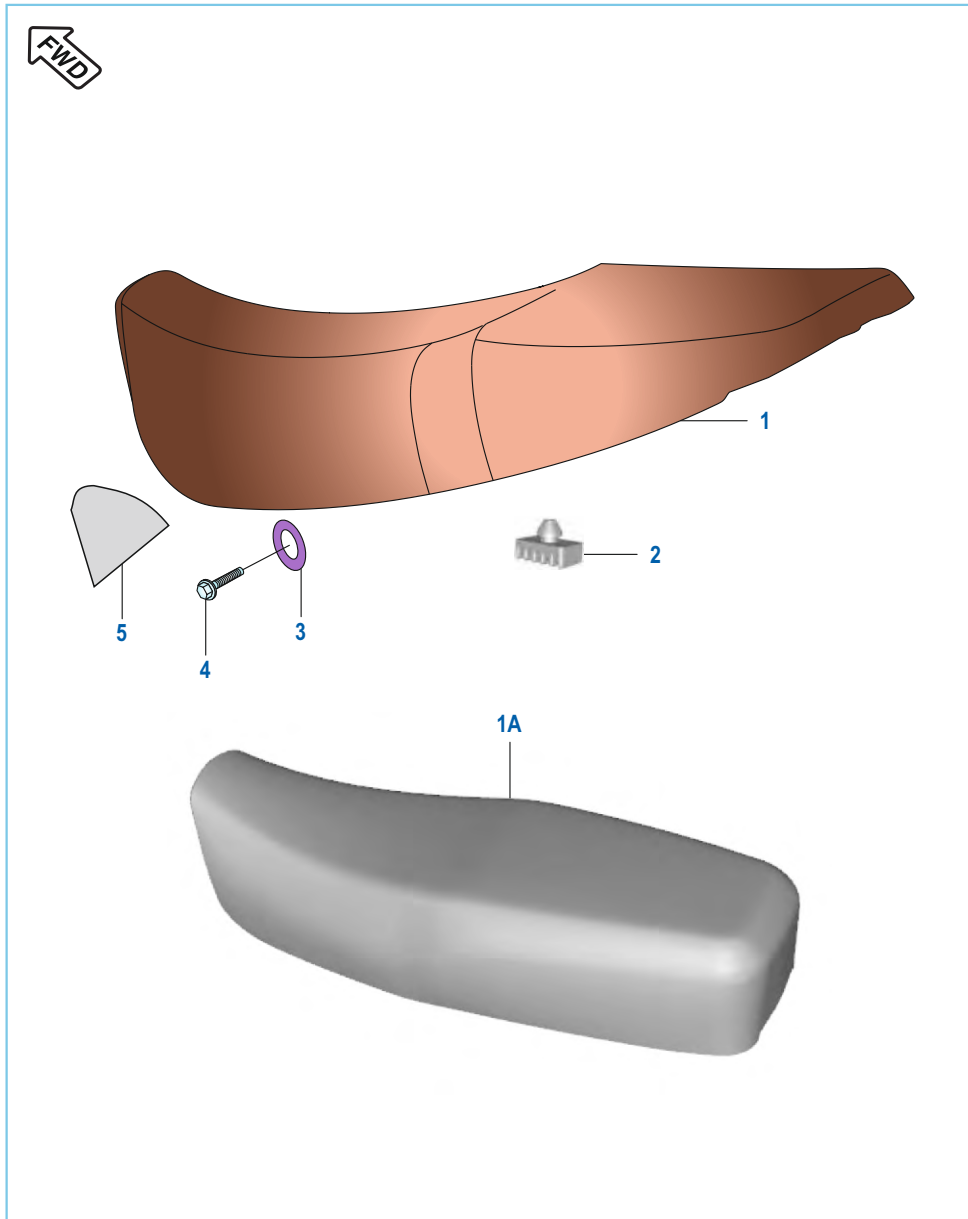
No.	Part No.	Description	CT 100B	Remarks
1	YD M070 01	Silencer Without Ex Tec / Shields	1	
2	31 10 1014	Gasket	1	
3	DU 1012 06	Nut	2	
4	DZ 1010 44	Shield Cat Cover	1	
5	DH 1016 07	Truss Screw	4	
6	DZ 1010 31	Shield Muffler Rear	1	
7	DD 1013 66	Flanged Bolt	1	
8	39 2754 04	Hex Flanged Bolt	1	

Magneto, CDI & H.T. Coil



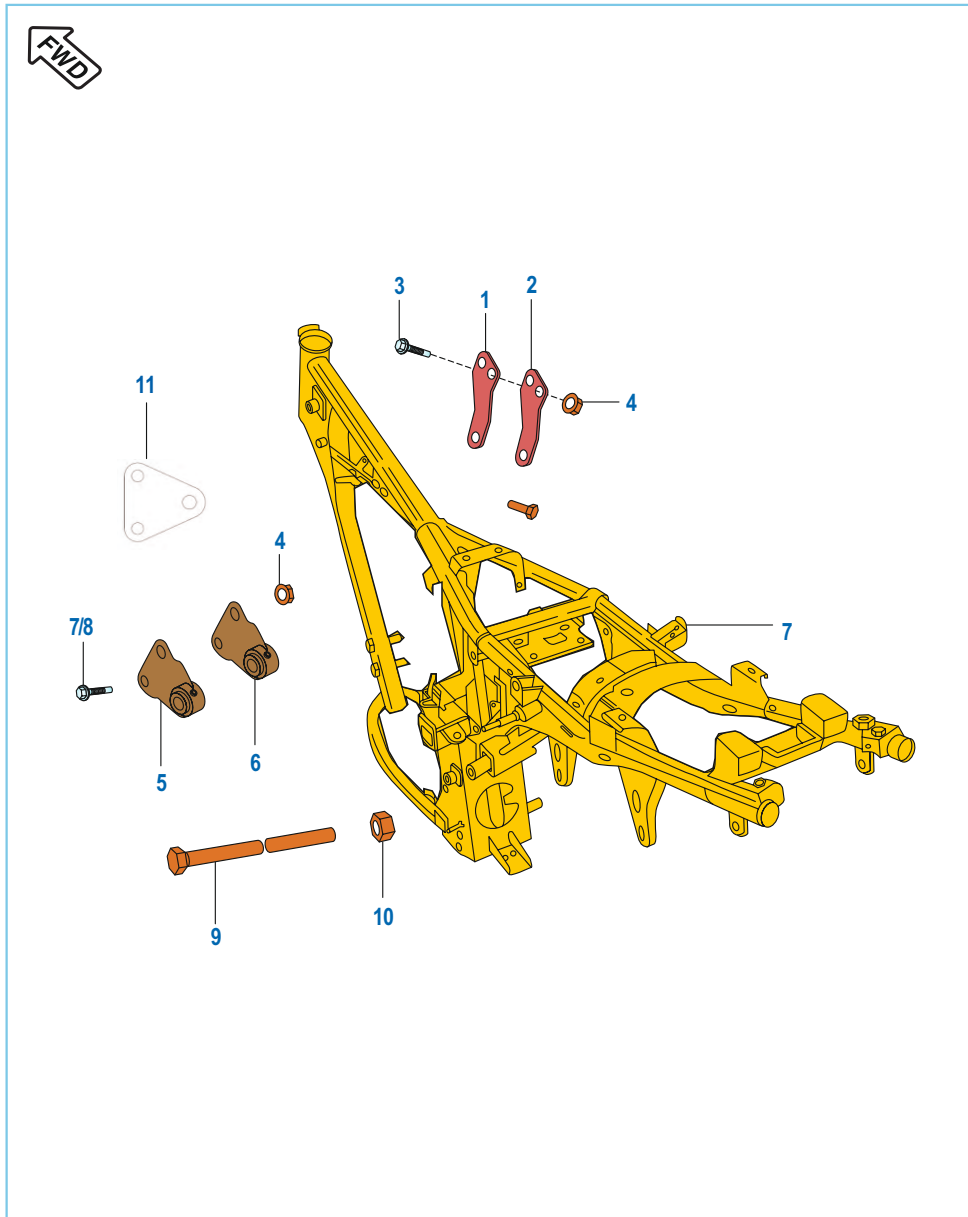
No.	Part No.	Description	CT 100B	Remarks
1	DF 1110 16	Magneto Assly	1	
2	DF 1110 20	Stator assly	1	
3	DD 1013 18	Bolt	3	
4	39 1042 19	Seal Oil (HTA make)	1	
5	39 1003 20	Bearing ball	1	
6	39 1028 21	Ring O	1	
7	39 1659 11	Plain washer	3	
8	DU 1110 06	CDI Unit	1	
9	39 1553 04	Flanged Bolt	2	
10	DU 2010 62	Regulator / Rectifier (R/R) unit	1	
11	DD 1110 18	Spark Plug	1	Alternate
12	DZ 1110 12	H. T. Coil	1	
13	39 0745 01	Screw pan cross	1	
14	DD 1110 11	Grommet Spark plug Cap	1	
15	DD 1110 48	Cap Spark plug ®	1	
16	DD 1110 12	Grommet H.T. Cable	1	
17	31 1110 56	Exitor Coil	1	

Seat Assembly & Mounting



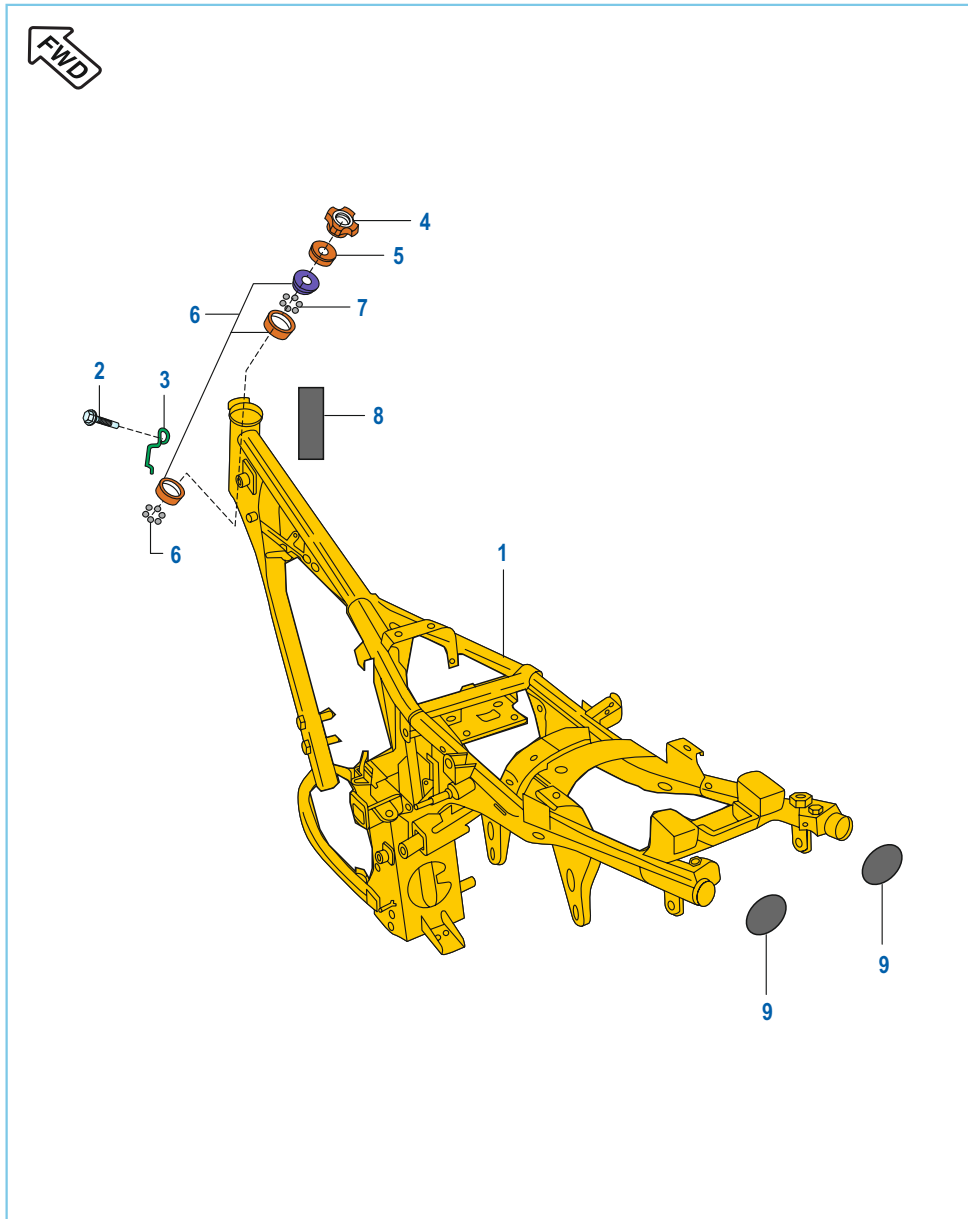
No.	Part No.	Description	CT 100B	Remarks
1	DM 2110 24	Seat assly comp. with Damper	1	
2	31 2110 04	Damper	7	
3	39 1211 11	Plain Washer	2	
4	39 1802 04	Hex. Bolt	2	
5	DU 1410 14	Seat Lab	1	

Engine Mountings



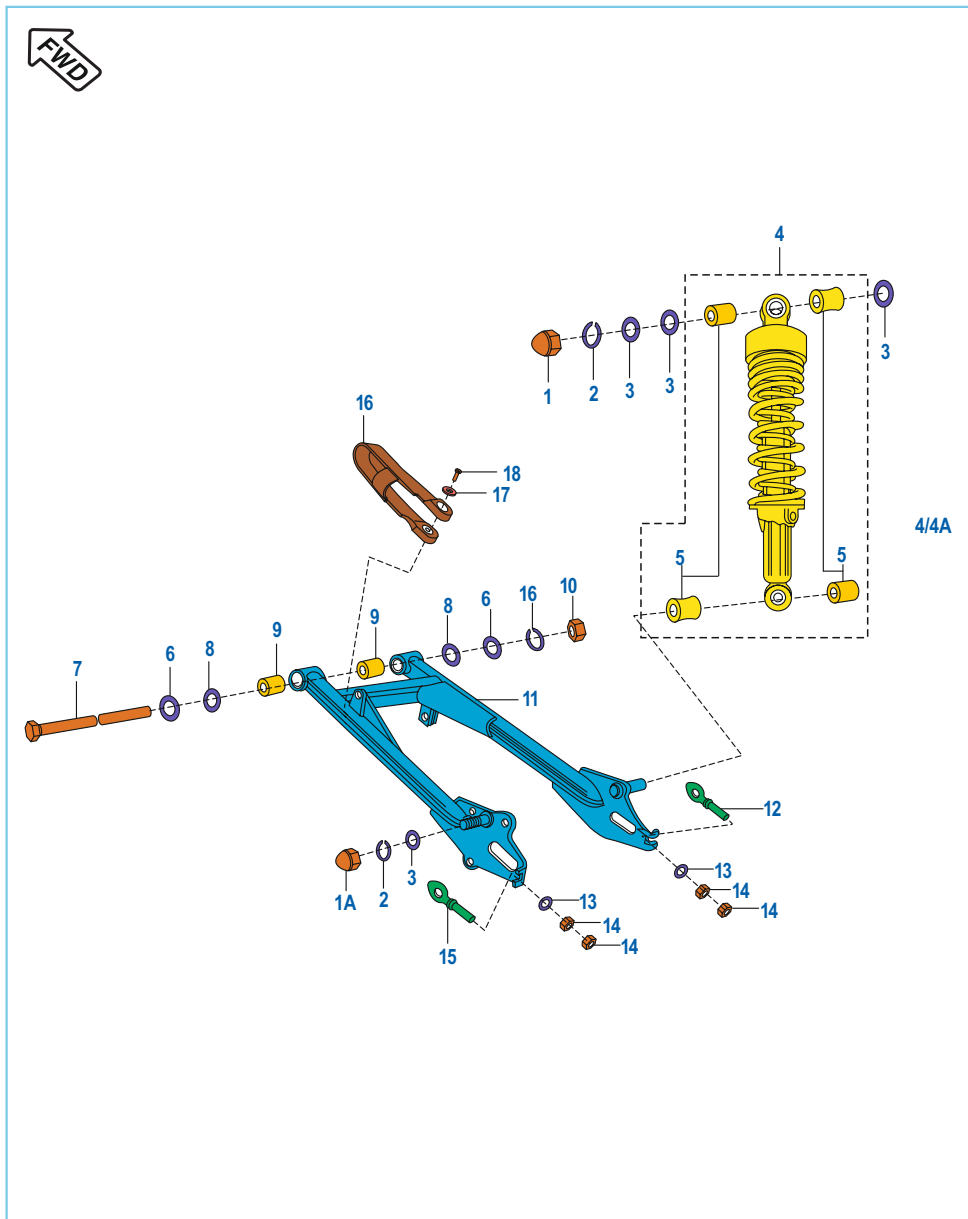
No.	Part No.	Description	CT 100B	Remarks
1	DD 1610 53	Bracket Engine Upper LH	1	
2	DF 1611 68	Bracket Engine Upper RH	1	
3	39 2455 04	Hex Head Bolt	3	
4	59 1500 05	Nut Flanged	5	
7	59 0400 18	Hex Head Bolt M8X85L	1	
8	59 0400 17	Hex Head Bolt M8	1	
9	39 2702 04	Hex. Bolt	1	
10	39 2723 15	Hex Nut Flanged M10	1	
11	DD 1610 52	Bracket Engine	2	

Frame & Frame Fittings



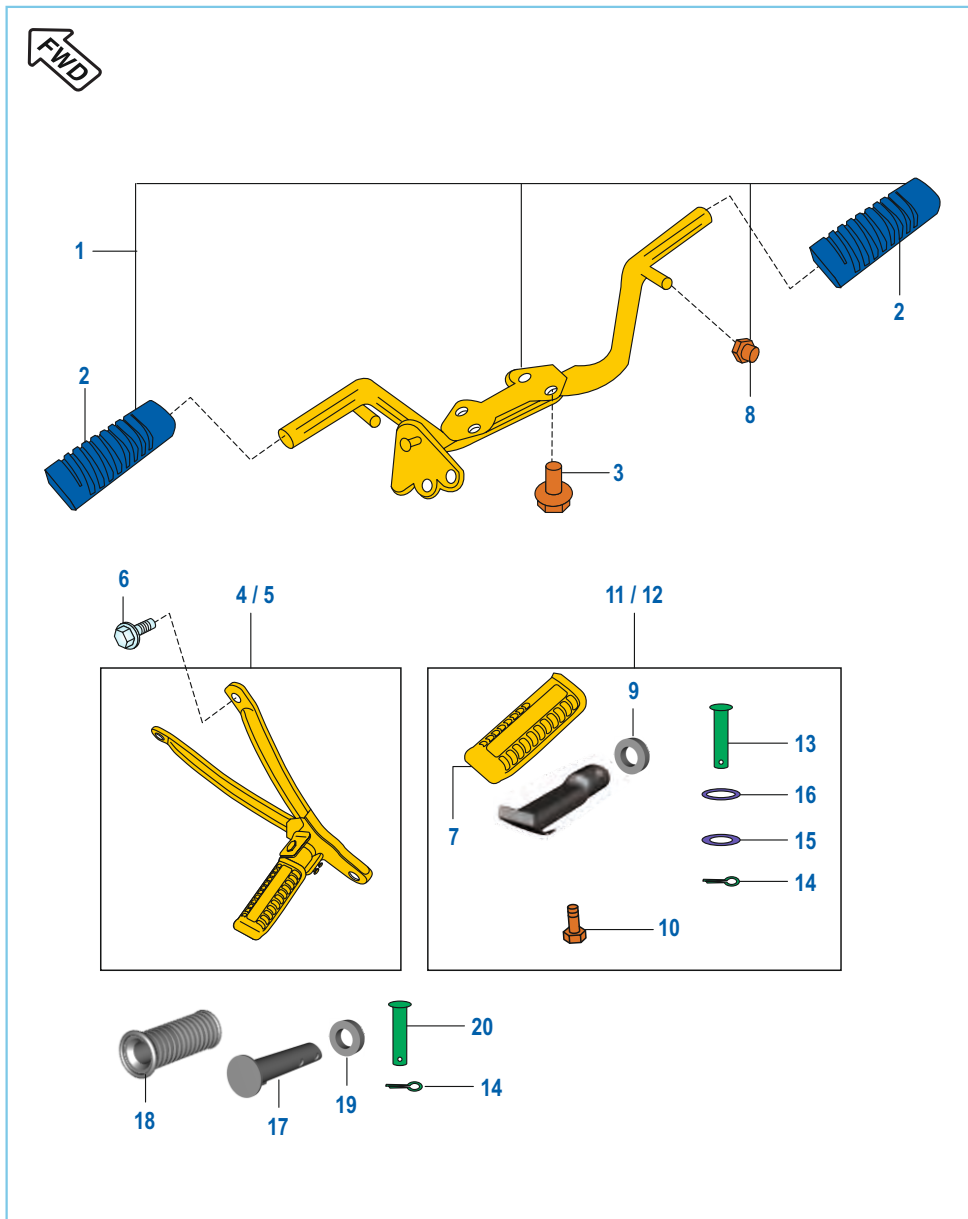
No.	Part No.	Description	CT 100B	Remarks
1	DM 1611 58	Frame Assembly	1	
2	39 2473 04	Flanged Bolt	1	
3	31 1910 02	Clamp	1	
4	DF 1810 90	Nut	1	
5	DF 1810 52	Cap Steering	1	
6	36 3140 05	Bearing cone kit	1	Refer Page No.99
7	DJ 1811 15	Cage Bearing with Steel Ball	2	
8	DU 1611 96	Tape Frame	1	

Swing Arm / Rear Shock Absorber



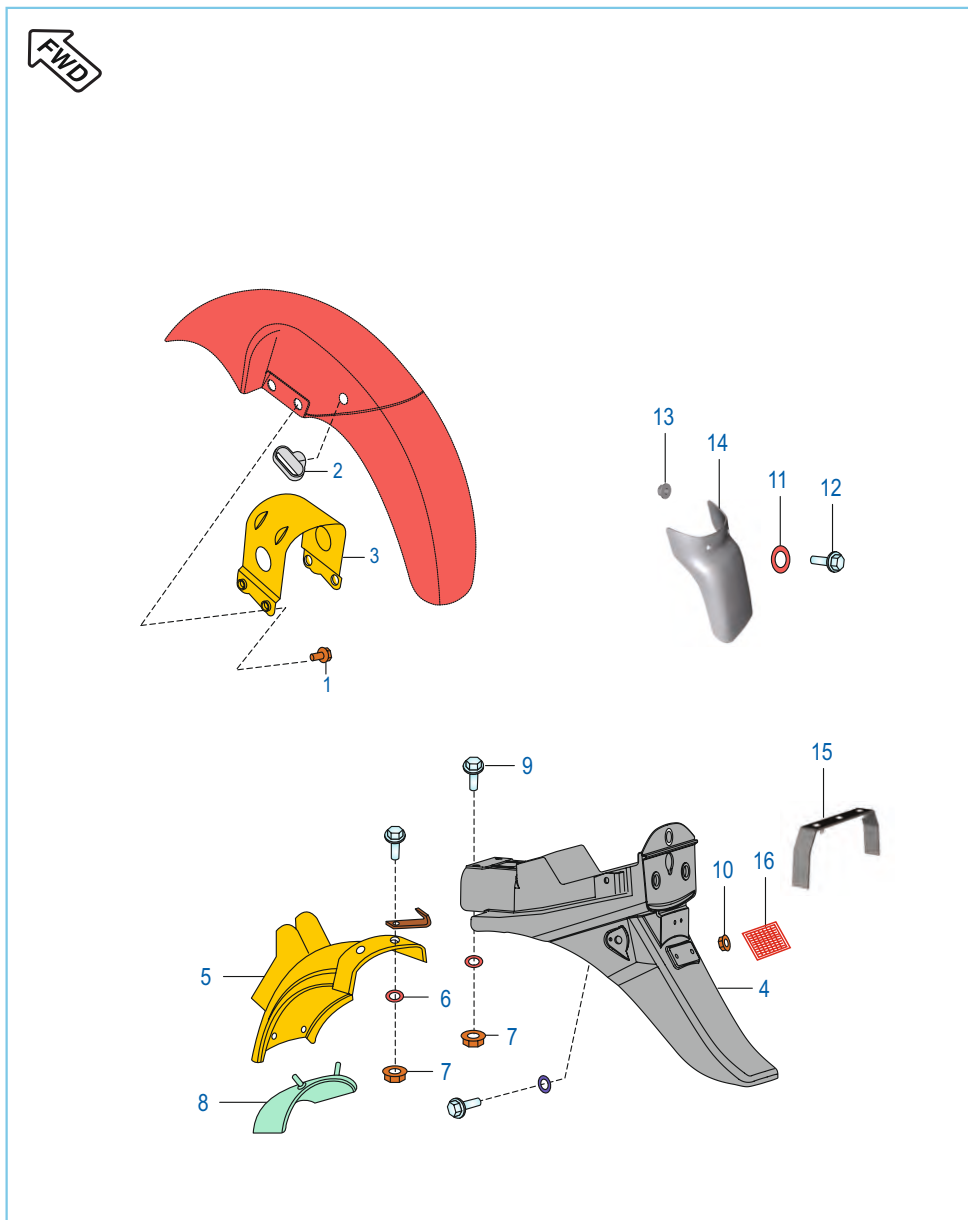
No.	Part No.	Description	CT 100B	Remarks
1	39 0712 15	Domed Cap Nut	2	
1A	39 2366 15	Domed Cap Nut	2	
2	39 0737 12	Washer Spring	4	
3	39 0714 11	Washer Plain	8	
4	DM 1710 27	Rear Shock Absorber	2	
5	36 DF17 01	Rubber Inner Bush kit	1	Refer Page No. 98
6	39 0248 11	Plain Washer	2	
7	LD A000 12	Shaft Swing Arm	1	
8	39 0201 11	Plain Washer	2	
9	30 1710 18	Bushing Rubber	2	
10	39 1225 15	Nut Hex./ flange	1	
11	52 DU05 55	Arm Comp. Swing / Bush	1	
12	JK 1220 04	Adjuster Chain (RH)	1	
13	39 0711 11	Washer Plain	2	
14	39 0292 15	Hex Nut	4	
15	JK 1220 02	Adjuster Chain (LH)	1	
16	31 1710 12	Damper for Swing arm	1	
17	39 1309 11	Plain washer	2	
18	39 0553 02	Self tapping Screw	2	

Foot Rest - Rider / Pillion



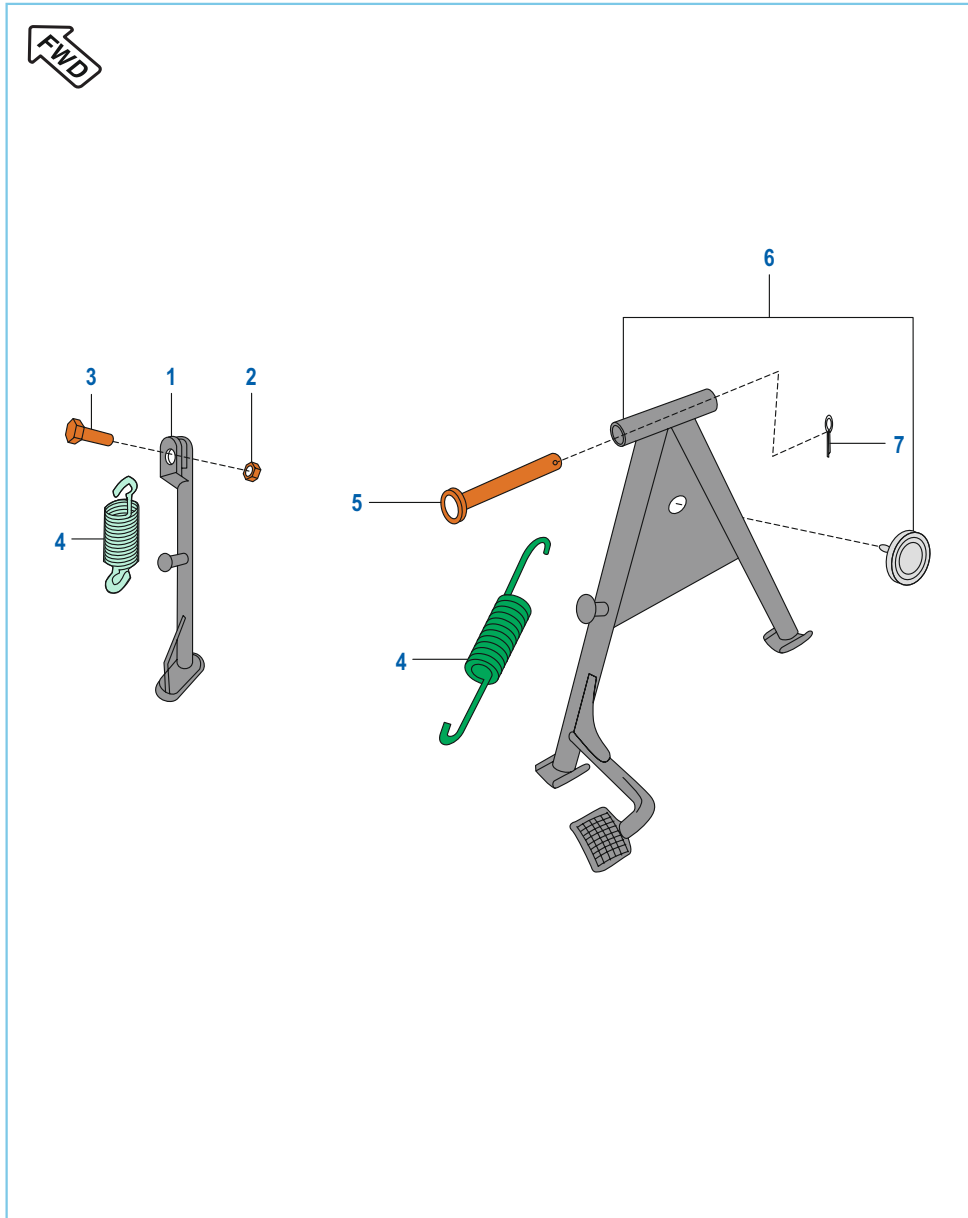
No.	Part No.	Description	CT 100B	Remarks
1	DF 1614 25	Holder Step/Damper/Kick Stopper	1	
2	DF 1614 13	Rubber Main Step	2	
3	39 1940 04	Flanged Bolt	4	
4	DU 1612 66	Stay LH With Pillion Step	1	
5	DU 1612 68	Stay RH With Pillion Step	1	
6	39 2481 04	Hex bolt flanged	2	
8	DH 1611 94	Kick Stopper	1	
14	39 0784 08	Pin Split	2	
17	DP 1611 70	Step Pillion	2	
18	JK 1130 08	Rubber Pillion	2	
19	DP 1611 63	Washer For Pillion Foot Rest	2	
20	30 1710 22	Pin For Pillion Foot Rest	2	

Mudguard - Front & Rear



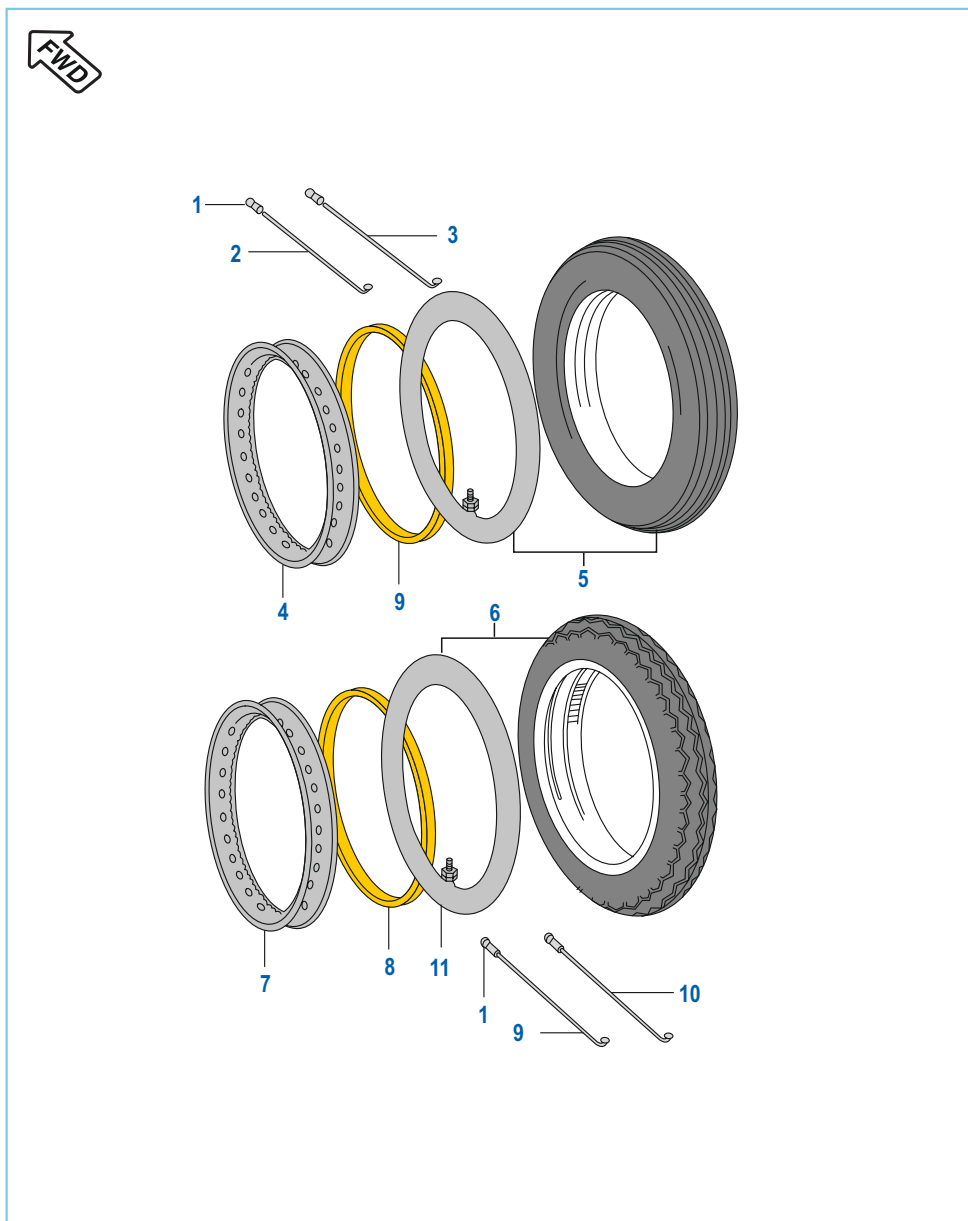
No.	Part No.	Description	CT 100B	Remarks
1	39 2222 04	Flanged Bolt	4	
4	DF 1611 04	Fender Rear	1	
5	DM 1610 09	Fender Rear Front	1	
6	39 0711 11	Plain Washer	6	
7	39 0817 15	Hex. Nut Flanged	6	
8	DD 1610 51	Flap	1	
9	39 2483 04	Hex. Head Bolt Flange M6	6	
10	39 2484 15	Nut	1	
11	01 1106 09	Washer	2	
12	22 1504 35	Bolt	2	
13	39 2484 15	Nut	2	
14	DF 1612 45	Mud Flap Front	1	
15	DF 1611 59	Brace Fender Rear	1	
16	30 2010 69	Reflector Reflex	1	

Stand Assembly



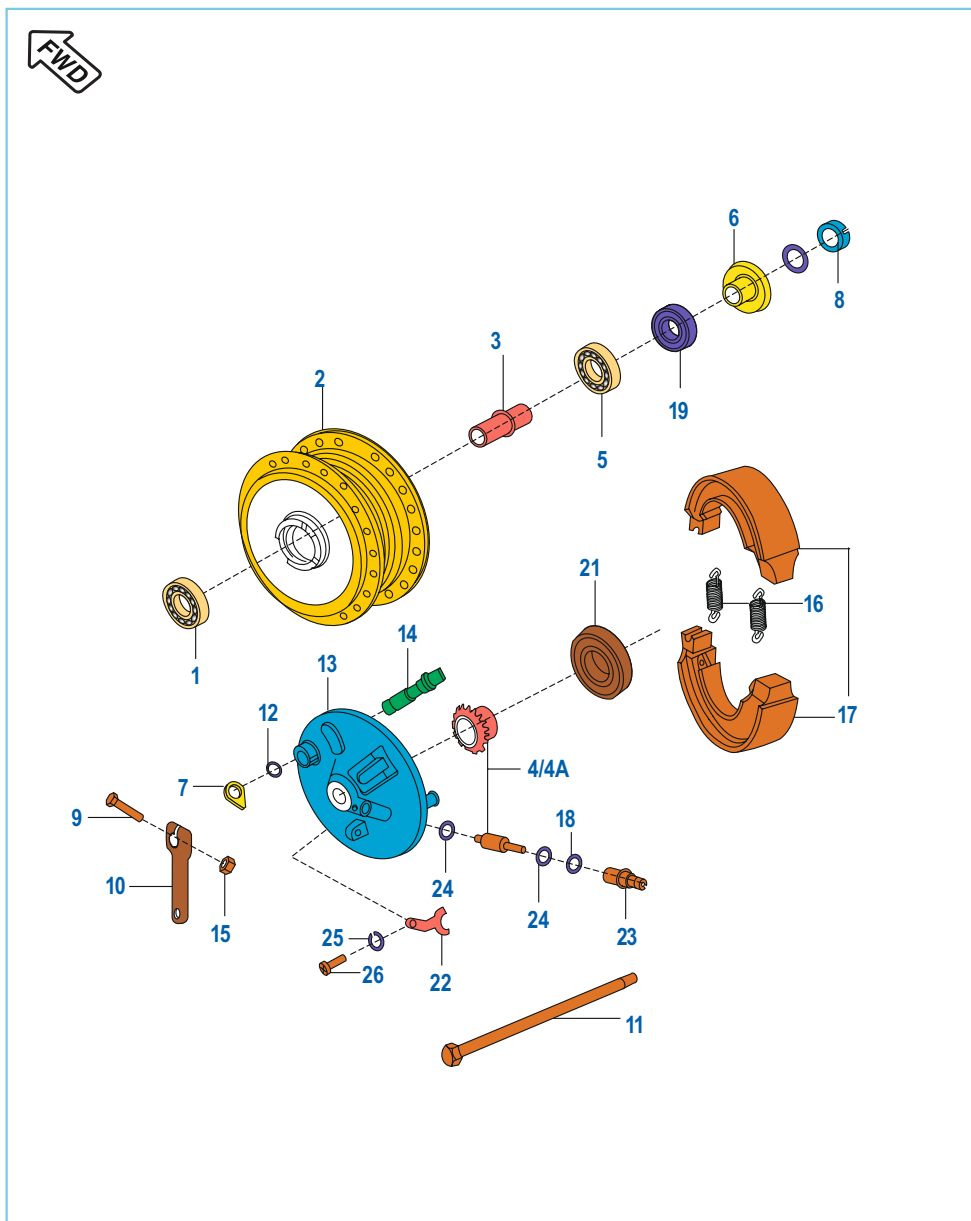
No.	Part No.	Description	CT 100B	Remarks
1	DL 1610 48	Stand Side	1	
2	39 0422 15	Nyloc Nut	1	
3	DF 1611 02	Bolt	1	
4	30 1611 58	Spring	2	
5	30 1611 57	Shaft Center Stand	1	
6	DU 1610 32	Stand Centre / Damper	1	
7	39 0787 08	Pin Cotter	1	
8	DG 1611 24	Damper Center Stand	1	

Tube / Tyre / Rim (For Spoke Wheel)



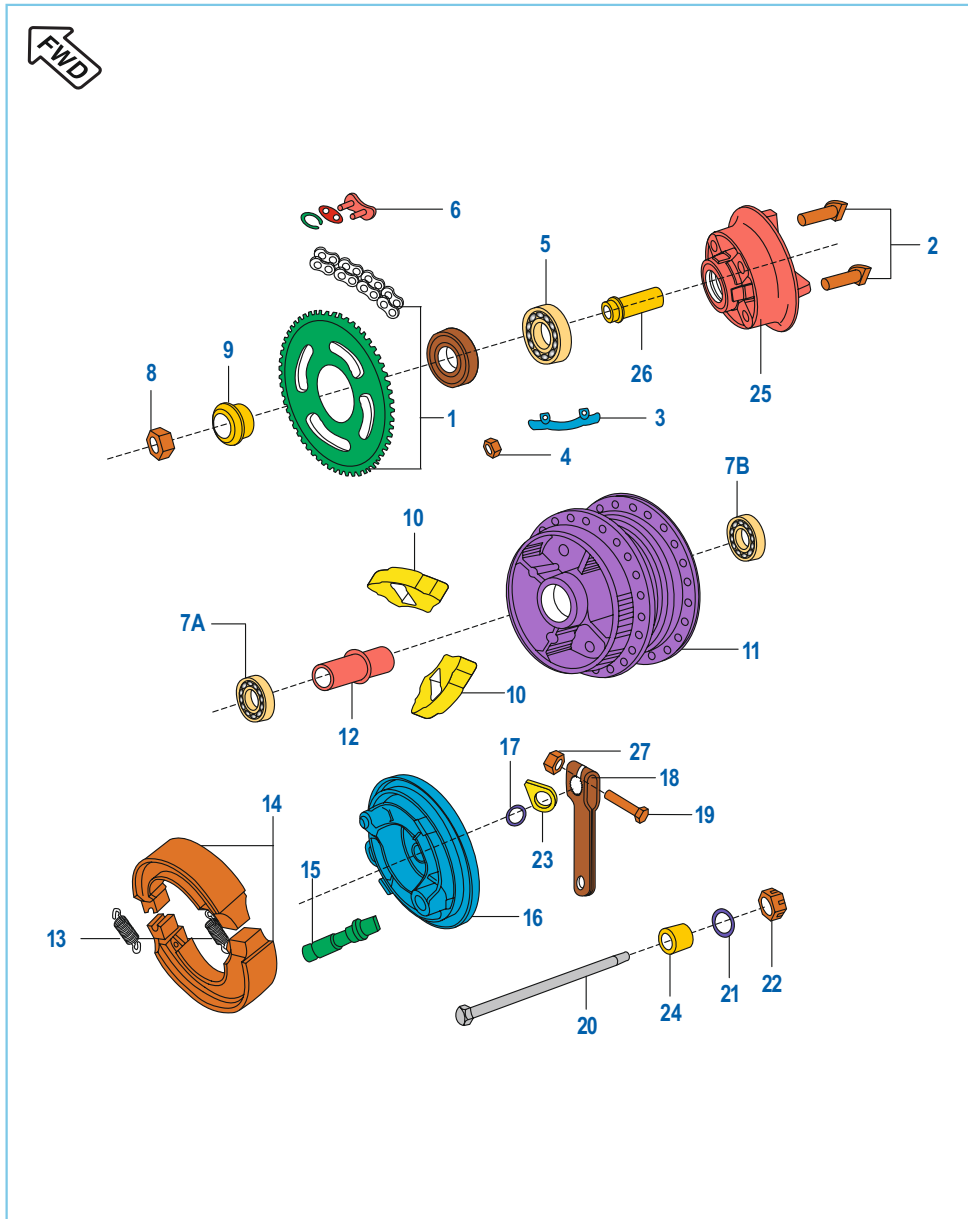
No.	Part No.	Description	CT 100B	Remarks
1	16 1510 66	Nipple Spoke	72	
2	DU 1510 25	Spoke Inner Front	18	
3	DU 1510 26	Spoke Outer Front	18	
4	DM 1510 29	Wheel Rim Front (1.6 x 17)	1	
5	DS 1510 51	Tyre With Tube Front	1	
6	DM 1510 27	Tyre With Tube Rear	1	
7	DU 1510 18	Wheel Rim Rear (1.85 x 17)	1	
8	DG 1510 22	Band Rim	2	
9	DU 1510 25	Spoke Inner Rear	18	
10	DU 1510 26	Spoke Outer Rear	18	

Front Hub (Spoke Wheels)



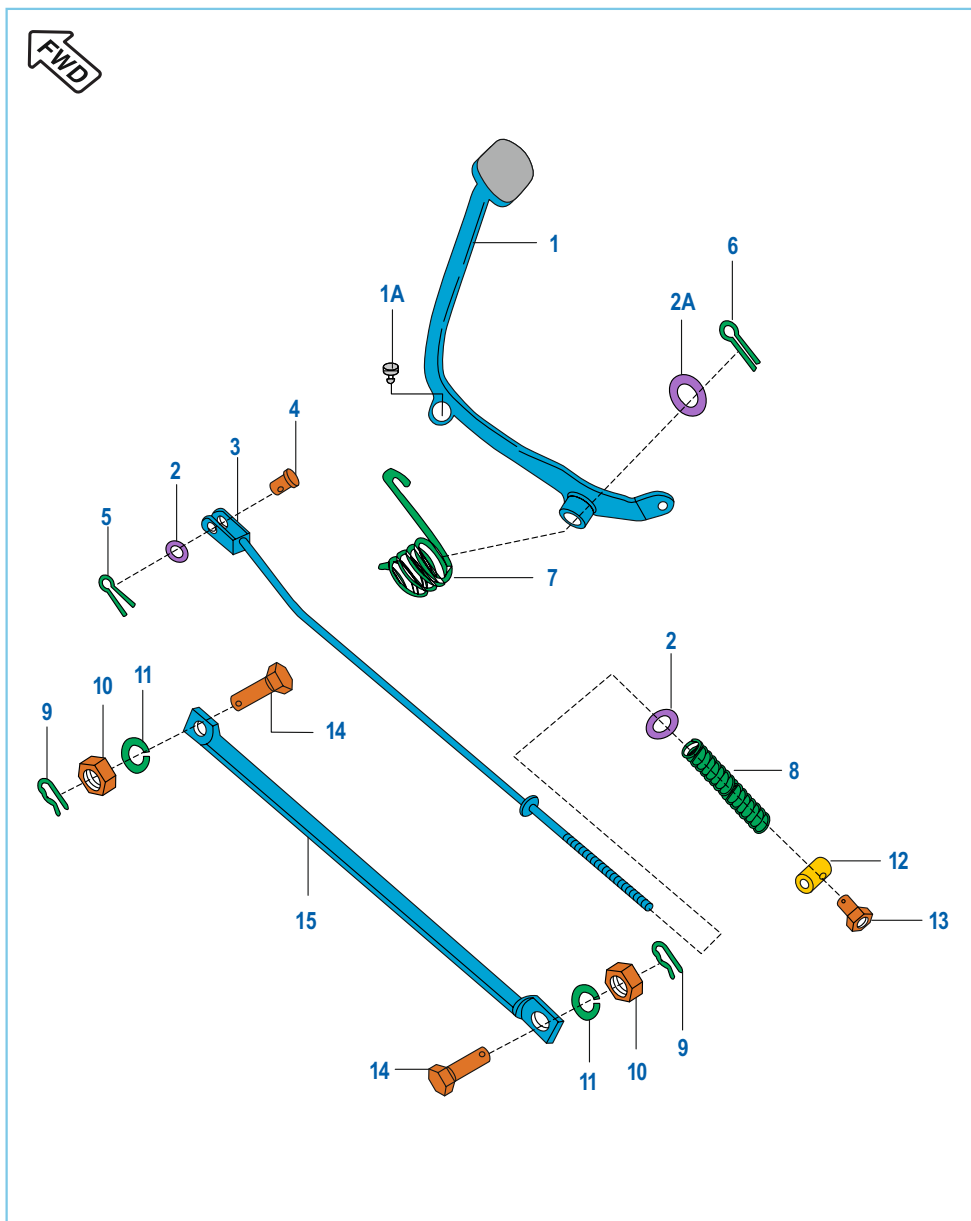
No.	Part No.	Description	CT 100B	Remarks
1	39 2680 20	Ball Bearing	1	
2	DF 1510 03	Drum Front	1	
3	31 1510 04	Collar	1	
4	36 DZ00 08	Gear Meter Screw Kit	1	Refer Page No.99
5	39 2681 20	Ball Bearing	1	
6	DU 1510 05	Collar Axle Assly.	1	
7	DD 1510 09	Indicator Front	1	
8	DU 1510 31	Nut Hex. Slotted	1	
9	39 0775 04	Bolt	1	
10	DD 1510 08	Lever Brake Cam	1	
11	DZ 1510 12	Axle	1	
12	30 15 1038	Ring O	1	
13	DZ 1510 27	Panel Front Brake	1	
14	31 15 1011	Cam Brake	1	
15	39 0798 15	Flange Nut	1	
16	30 1510 69	Spring	2	
17	31 1510 60	Shoe Brake Assly.	2	
18	39 1013 21	Ring 'O'	1	
19	14 1510 21	Oil Seal	1	
20	KB CC05 14	Screw Counter (New Speedo Cable)	1	N.I.
21	31 1510 14	Oil Seal	1	
22	30 1511 18	Stopper for bushing	1	
23	JA 1316 06	Bushing	1	
24	39 0242 11	Washer	2	
25	39 0900 12	Spring Washer	1	
26	39 0840 01	Screw pan Cross	1	
27	39 1561 21	"O" ring (New Speedo Cable)	1	N.I.

Rear Hub (Spoke Wheels)



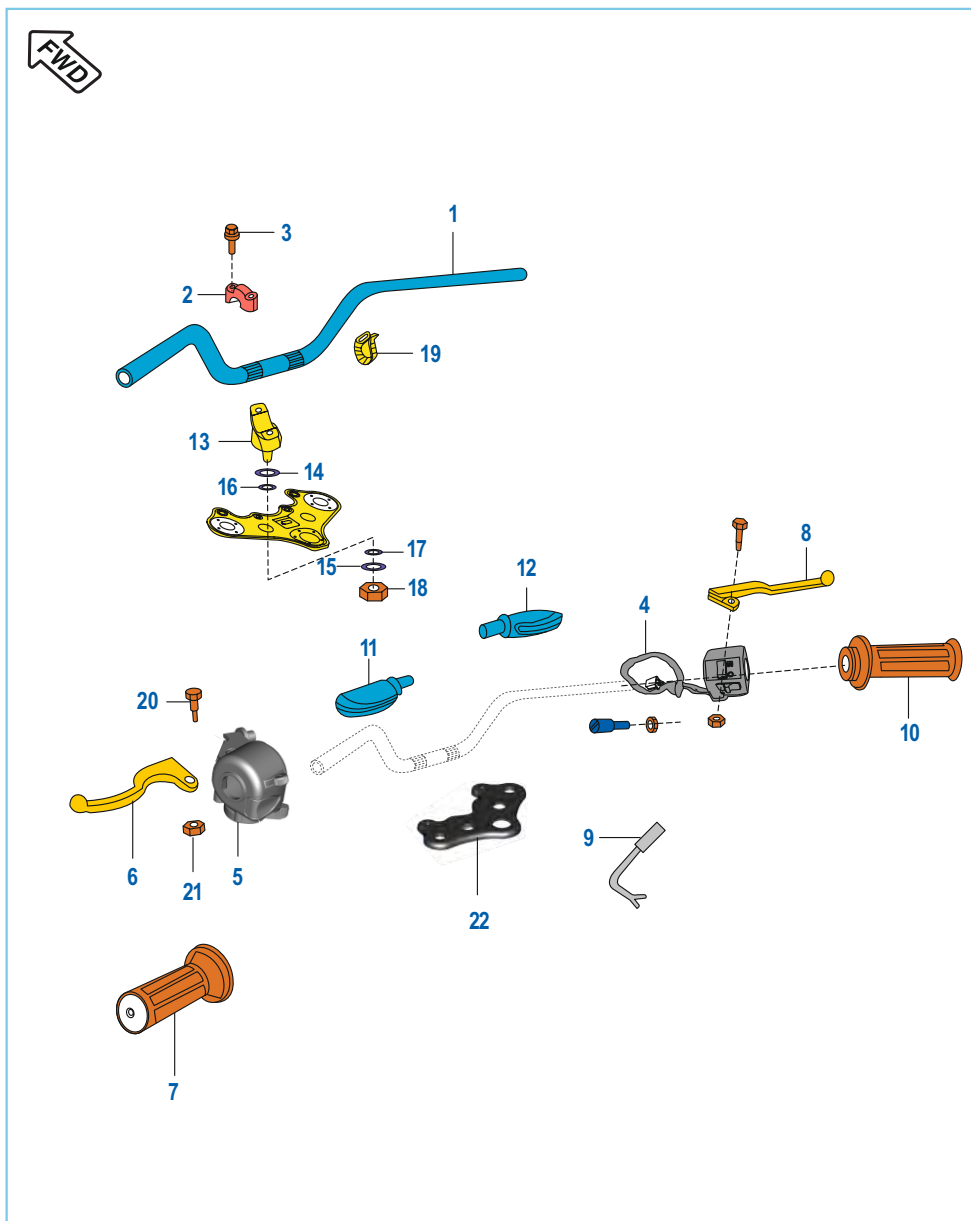
No.	Part No.	Description	CT 100B	Remarks
1	36 DU40 17	Chain Sprocket Kit	1	Refer Page No.100
2	39 0978 04	'D' bolt	4	
3	31 15 1029	Washer	2	
4	39 0794 15	Nut Hex. Fine	4	
5	39 2240 20	Bearing Ball	1	
6	DX 1510 81	Drive Chain Connecting Link	1	
7A	KP BB63 01	Bearing-ball-C3	1	
7B	39 1364 20	Bearing Ball 12 X 32 X 10RS1	1	
8	39 0988 15	Nut Hex.	1	
9	31 1510 18	Collar	1	
10	31 15 1021	Shock Damper	4	
11	DU 1510 09	Drum Rear	1	
12	31 1510 18	Collar Assly.	1	
13	30 15 1069	Spring	2	
14	31 1510 60	Shoe Brake Assly.	1	
15	JB 1312 23	Brake Cam Assly.	1	
16	31 15 1024	Panel Rear Brake	1	
17	30 15 1038	Ring O	1	
18	31 15 1037	Lever Brake	1	
19	39 0775 04	Bolt	1	
20	DU 1510 29	Axle	1	
21	39 0714 11	Washer Plain	1	
22	59 1500 03	Nut Castle	1	
23	30 1510 05	Indicator	1	
24	31 1510 26	Collar	1	
25	DU 1510 10	Coupling	1	
26	31 1510 28	Sleeve	1	
27	39 0798 15	Hex. nut	1	

Rear Brake Pedal



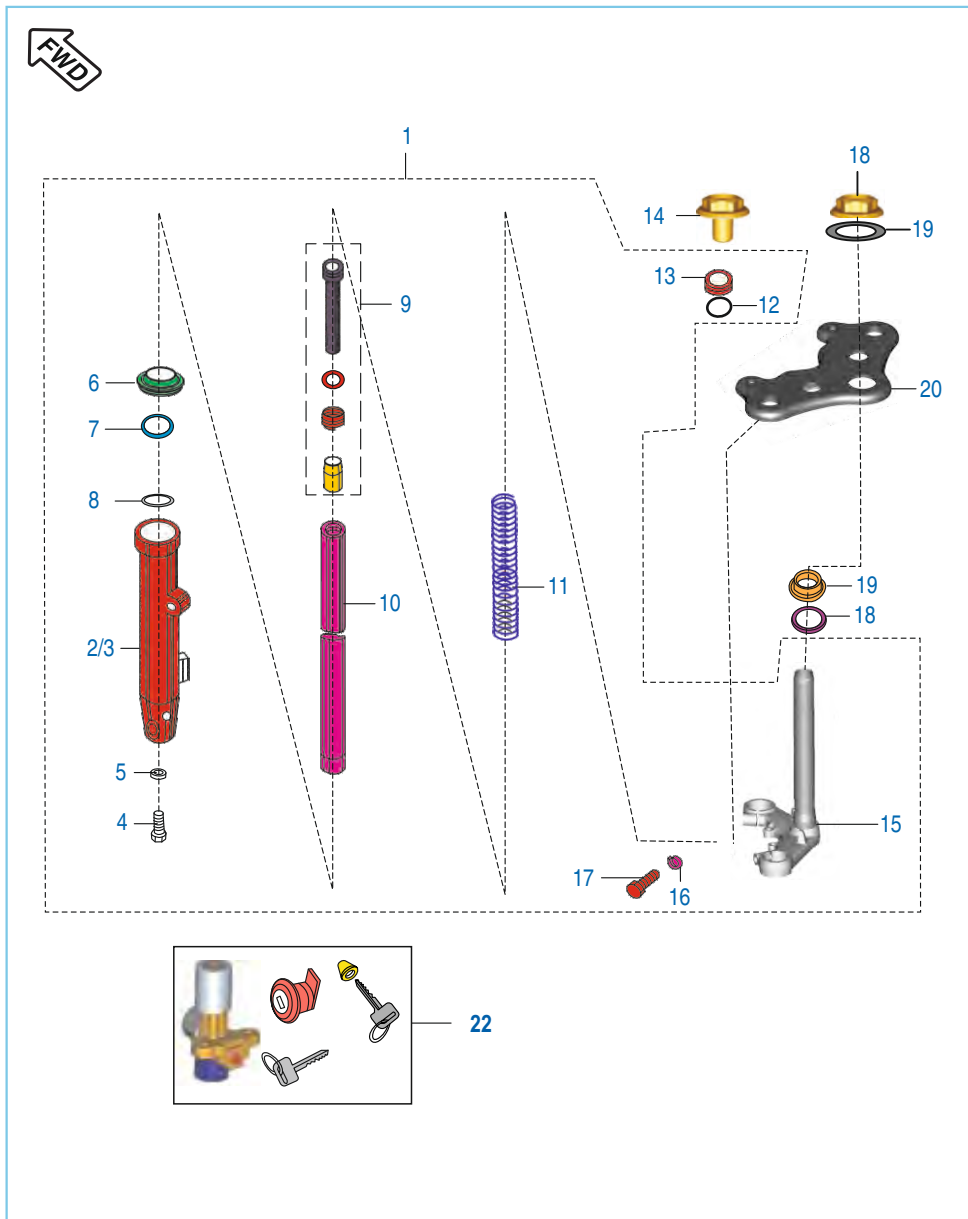
No.	Part No.	Description	CT 100B	Remarks
1	DU 1910 50	Lever Brake Tubular	1	
1A	DD 1610 78	Damper	1	
2	39 0198 11	Plain Washer	2	
2A	39 0805 11	Plain Washer	1	
3	DU 1910 30	Rod Brake	1	
4	30 1910 38	Pin	1	
5	39 0808 08	Split pin	1	
6	39 0797 08	Pin Cotter	1	
7	30 1910 31	Spring	1	
8	30 1910 35	Spring	1	
9	39 0807 08	Pin Snap	2	
10	39 0708 15	Nut Hex.	2	
11	39 0789 12	Washer Spring	2	
12	30 1910 37	Pin	1	
13	30 1910 36	Brake adjusting nut	1	
14	30 1510 95	Bolt	2	
15	DF 1510 16	Torque rod	1	

Handle Bar Assly



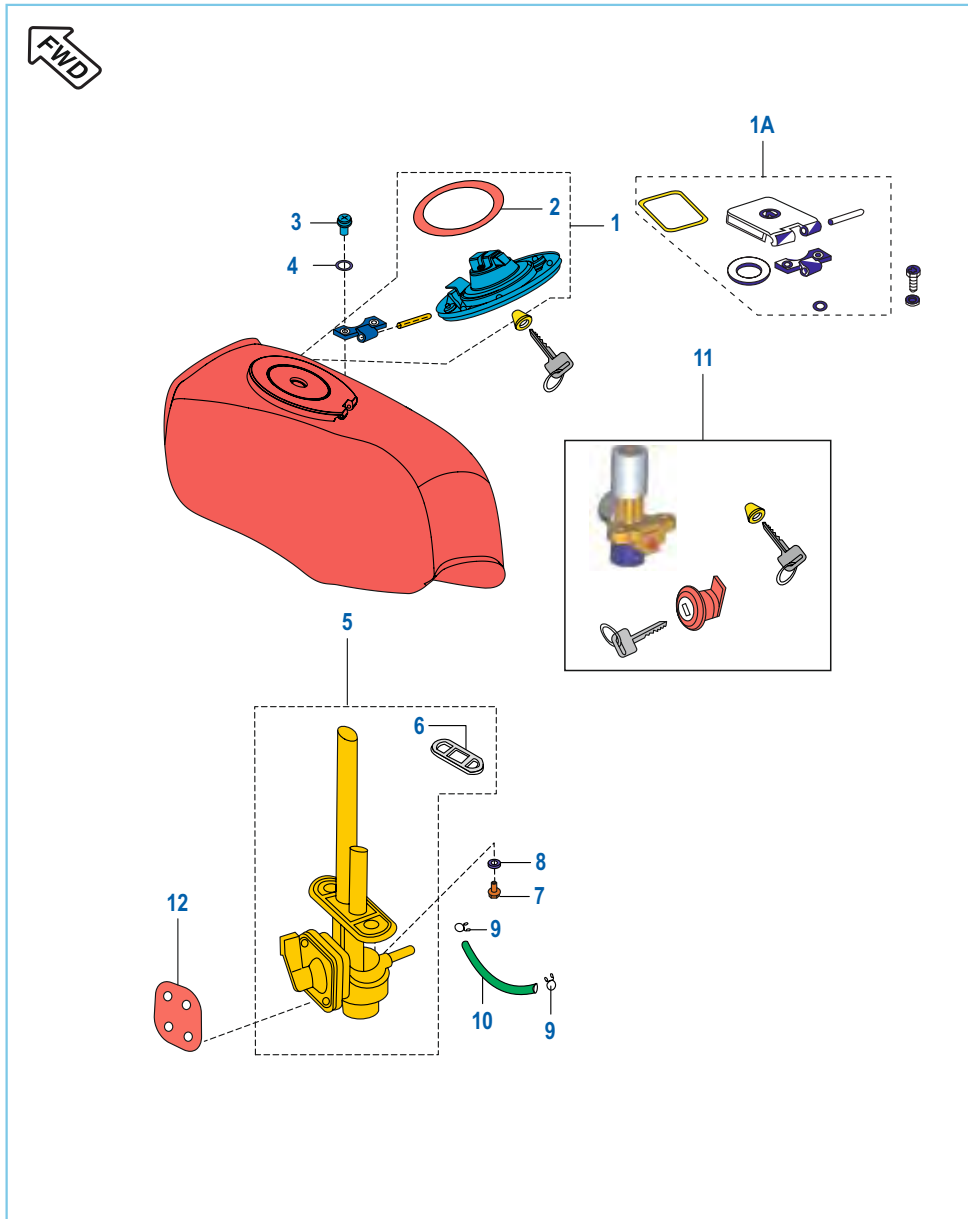
No.	Part No.	Description	CT 100B	Remarks
1	DU 1811 07	Handle	1	Ser Bulletin 2015_33
2	FD 1810 30	Holder Handle Upper	2	
3	39 1074 04	Flanged Bolt	4	
4	DM 2010 36	Control Switch RH	1	
5	DU 1910 44	Control Switch LH	1	Ser Bulletin 2015_33
6	DU 1910 35	Lever grip - Left	1	
7	DF 1910 26	Grip - Left hand	1	
8	DF 1910 66	Lever grip - Right	1	
9	DD 2011 70	Front brake switch	1	
10	DF 1910 27	Grip assly RH	1	
11	DM 1910 14	Boot For Lever LH	1	
12	DM 1910 15	Boot For Lever RH	1	
13	FD 1810 31	Holder Handle Lower	2	
14	DF 1810 91	Damper Handle Upper	2	
15	DF 1810 92	Damper Handle Lower	2	
16	FD 1810 19	Washer Plain Upper	2	
17	FD 1810 20	Washer Plain Lower	2	
18	39 0422 15	Nylock Nut	2	
19	30 1910 48	Harness Band	2	
20	39 0830 01	Stud	2	
21	39 1184 15	Nut	2	
22	DD 1812 05	Holder Fork Upper	1	

Front Fork



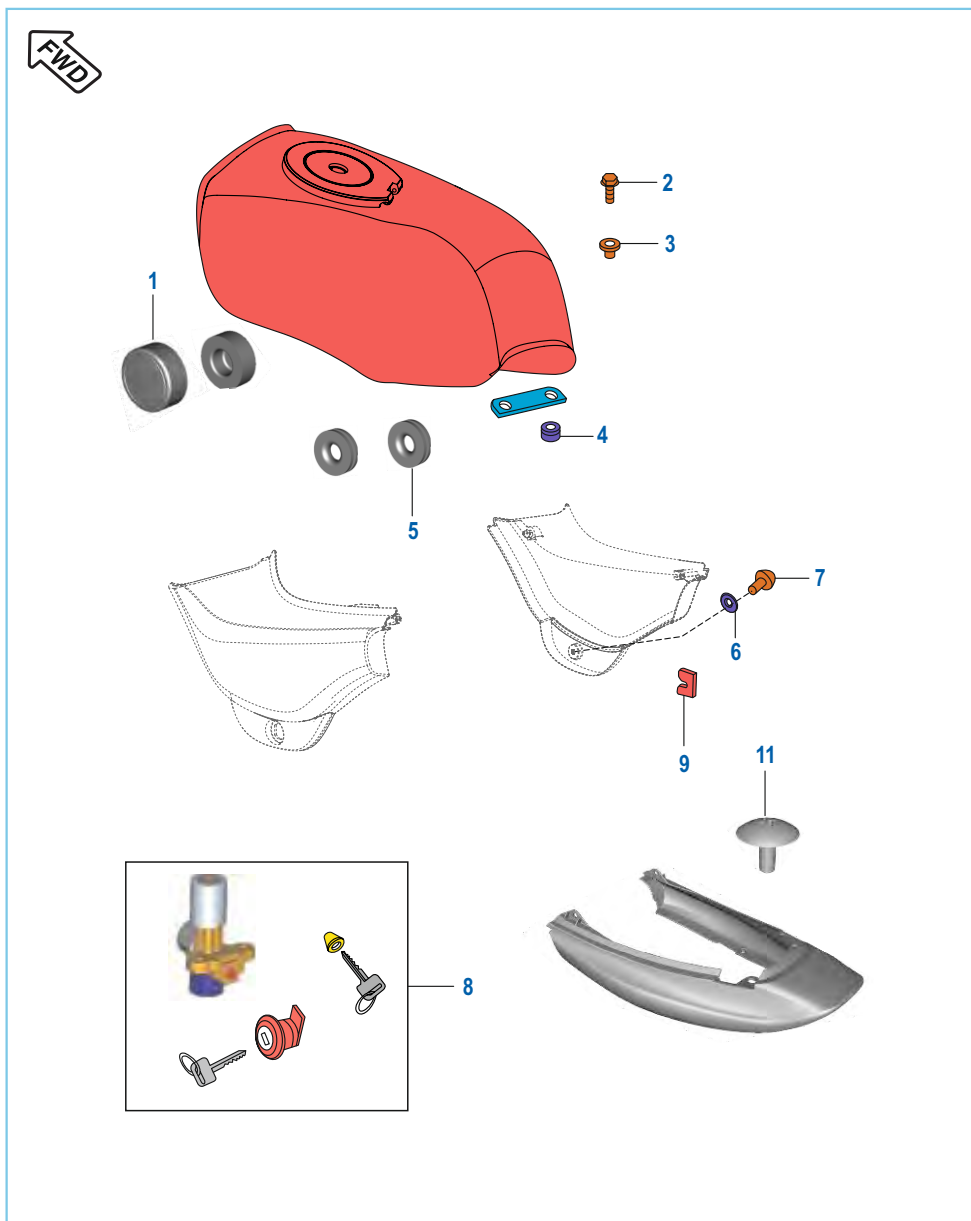
No.	Part No.	Description	CT 100B	Remarks
1	DM 1810 43	Assly Front Fork	1	
2	DD 1810 31	Pipe Left Outer	1	
3	DD 1810 34	Outer Pipe RH	1	
4	30 1810 25	Bolt Socket Head	2	
5	30 1810 26	Gasket	2	
6	DD 1810 11	Seal Dust	2	
7	DL 1810 80	Seal Oil	2	
8	30 1810 23	Ring -Snap: Endu Sys	2	
9	30 1810 53	Cylinder Complete Fork -Drum	2	Refer Page No. 99
10	DM 1810 36	Pipe Complete-Suspension - Inner	2	
11	DE 1810 31	Spring Main	2	
12	30 1810 29	'O' Ring	2	
13	DF 1810 85	Bolt Fork	2	
14	39 1813 04	Bolt	2	
15	DD 1812 07	Fork Under Bracket	1	
16	39 0789 12	Washer Spring	2	
17	39 1813 04	Bolt Hexagon Head M8X40	2	
18	FD 1810 12	Cap Nut Fork	1	
19	DF 1810 89	Washer - Plain	1	
20	DD 1812 05	Holder Fork Upper	1	
21	39 1943 04	Bolt Ignition Switch Mounting	2	
22	PF 2326 03	Lock set assly (3 in 1)	1	

Petrol Tank Cap & Fuel Cock



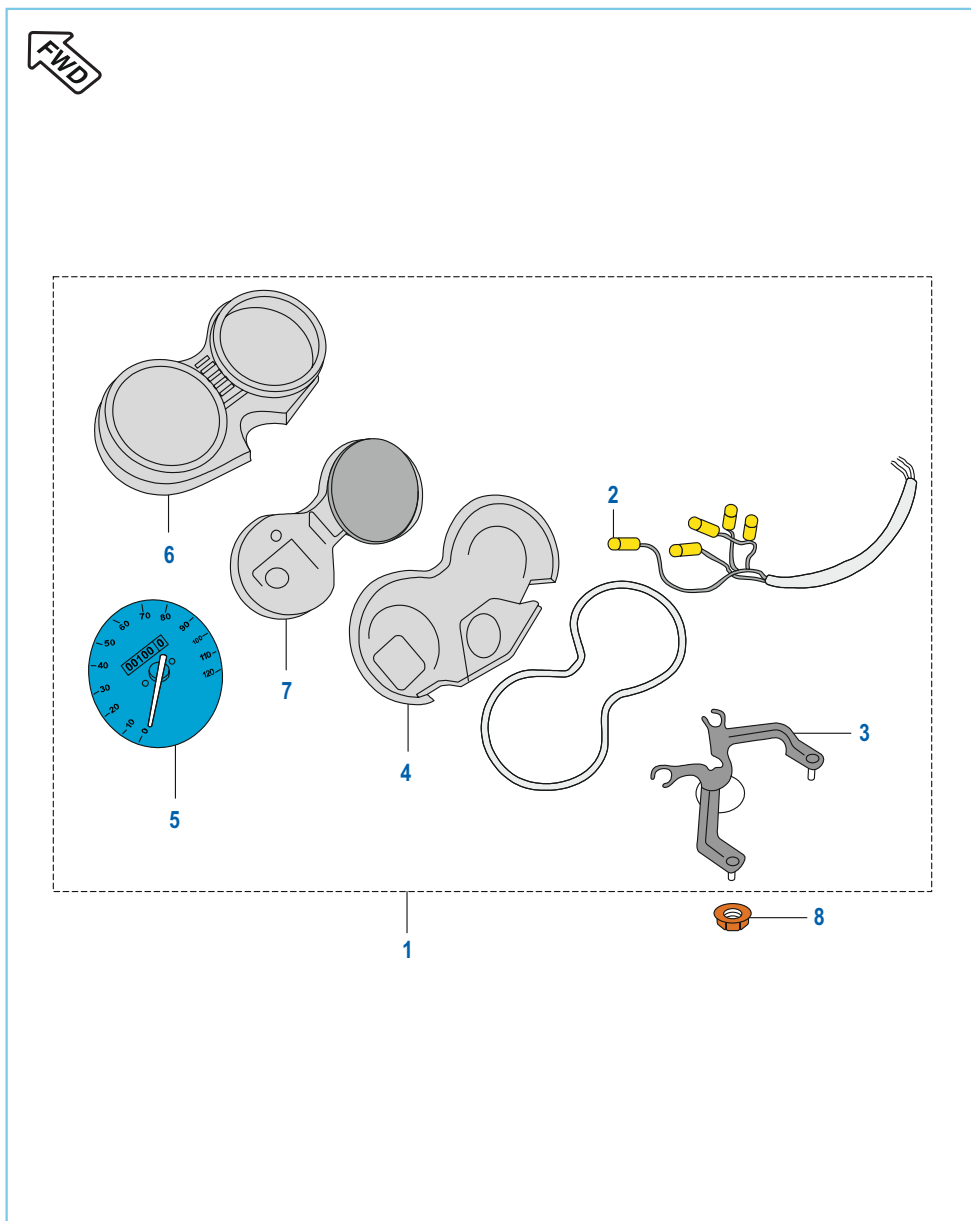
No.	Part No.	Description	CT 100B	Remarks
1	DF 1411 20	Cap Assly. Tank	1	
2	30 1410 52	Packing (For Cap)	1	
3	39 0761 01	Screw Pan Cross	2	
4	39 2179 24	Washer	2	
5	DU 1412 28	Fuel Cock Assembly	1	
6	30 1410 39	Packing For Tap	1	
7	DD 1412 27	Bolt Flanged	2	
8	39 0740 11	Washer Non Metallic	2	
9	33 1410 08	Clamp Tube	2	
10	PF 1718 03	Tube Fuel	1	
11	PF 2326 03	Lock Assly. 3 IN 1	1	
12	DZ 1410 75	Gasket 4 hole	1	

Fittings - Petrol Tank, Side Covers & Seat Cowl



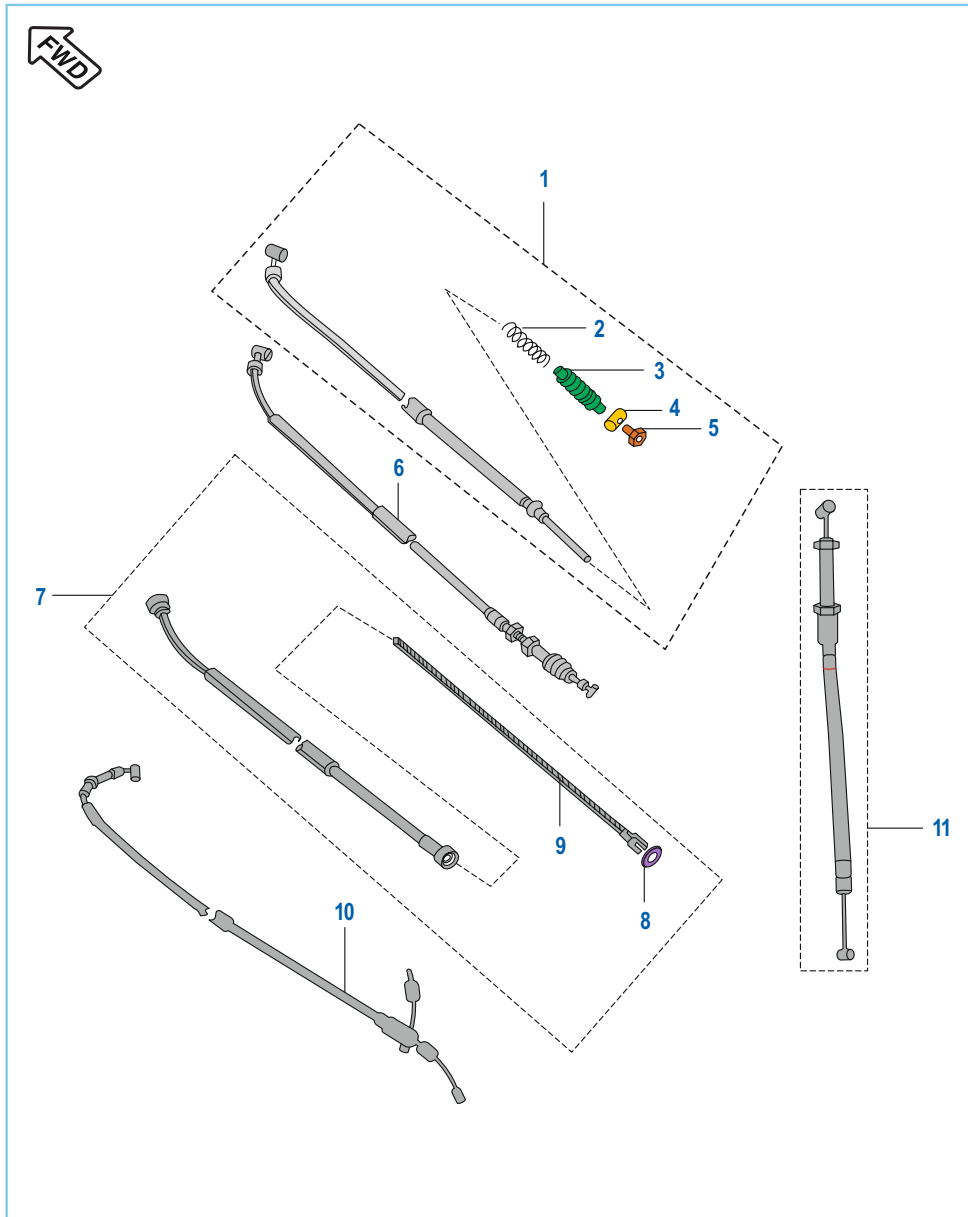
No.	Part No.	Description	CT 100B	Remarks
1	DF 1411 28	Damper Fuel Tank Mounting	2	
2	39 1553 04	Flange Bolt	2	
3	DU 1410 27	Collar Assly.	2	
4	DG 1410 19	Damper	2	
5	30 1611 69	Grommet	2	
6	39 1789 24	Washer Nylon	1	
7	30 1611 69	Screw	1	
8	PF 2326 03	Lock Assly. 3 IN 1	1	
9	DL 1610 17	Damper - cover side	2	

Meter Assembly



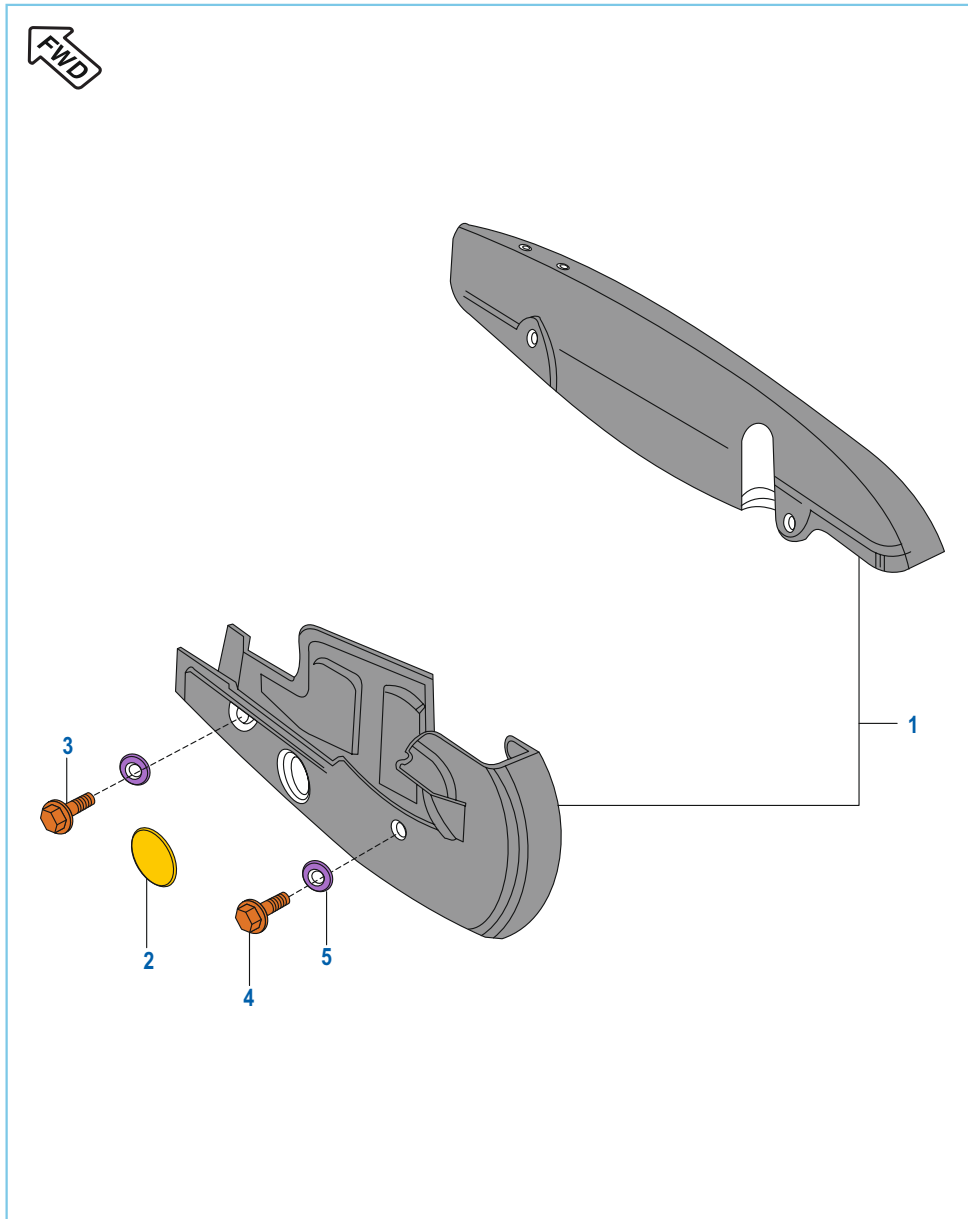
No.	Part No.	Description	CT 100B	Remarks
1	DM 1910 09	Speed Asy.+Lamp W/O Fuel G	1	
2	DH 1910 37	Lamp 12V 3W (W/O Cap)	5	
3	DU 1910 29	Bracket Speedo Mtg.	1	Make-JCPPL
4	DU 1910 23	Cover Meter Lower Black	1	Make-JCPPL
	YD U100 03	Cover Meter Lower Black	1	Make-Minda
5	DU 1910 25	Speedometer	1	Make-JCPPL
	YD U100 06	Speedometer with Dial	1	Make-Minda
6	YD U100 07	Cover case upper	1	Make-JCPPL
	YD U100 02	Speedo Top Cover with O-Ring	1	Make-Minda
7	DU 1910 24	Cover (white) W/o Support Plate	1	Make-JCPPL
	YD U100 04	Speedometer Housing	1	Make-Minda
8	39 0798 15	Hex. Nut / Flange	2	
9	YD U100 05	Speedometer Harness	1	Make-Minda
	YD U100 10	Speedometer Harness	1	Make-JCPPL

Control Cables



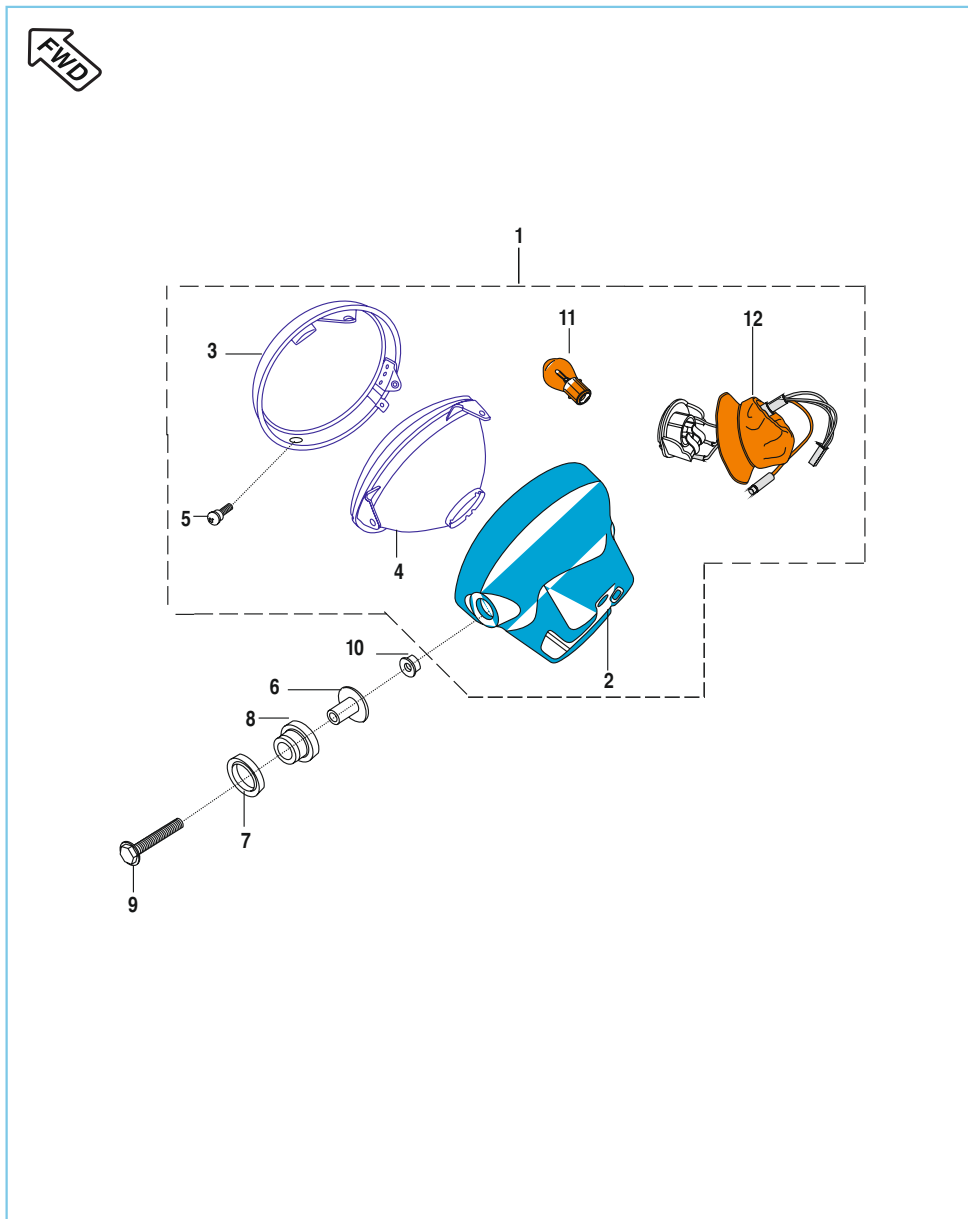
No.	Part No.	Description	CT 100B	Remarks
1	DU 1910 46	Cable Brake (FR)	1	Ser Bulletin 2015_33
2	30 19 1070	Spring	1	
3	30 19 1069	Dust Seal	1	
4	30 19 1071	Rod End	1	
5	30 19 1072	Adjusting Nut	1	
6	DU 1910 47	Cable Clutch	1	Ser Bulletin 2015_33
7	DZ 1910 14	Cable Speedometer	1	
8	30 1910 67	Oil Seal	1	
9	DZ 1910 19	Inner Cable Speedo	1	
10	DU 1910 48	Cable Throttle	1	
11	DM 1910 02	Cable starter	1	

Chain Case



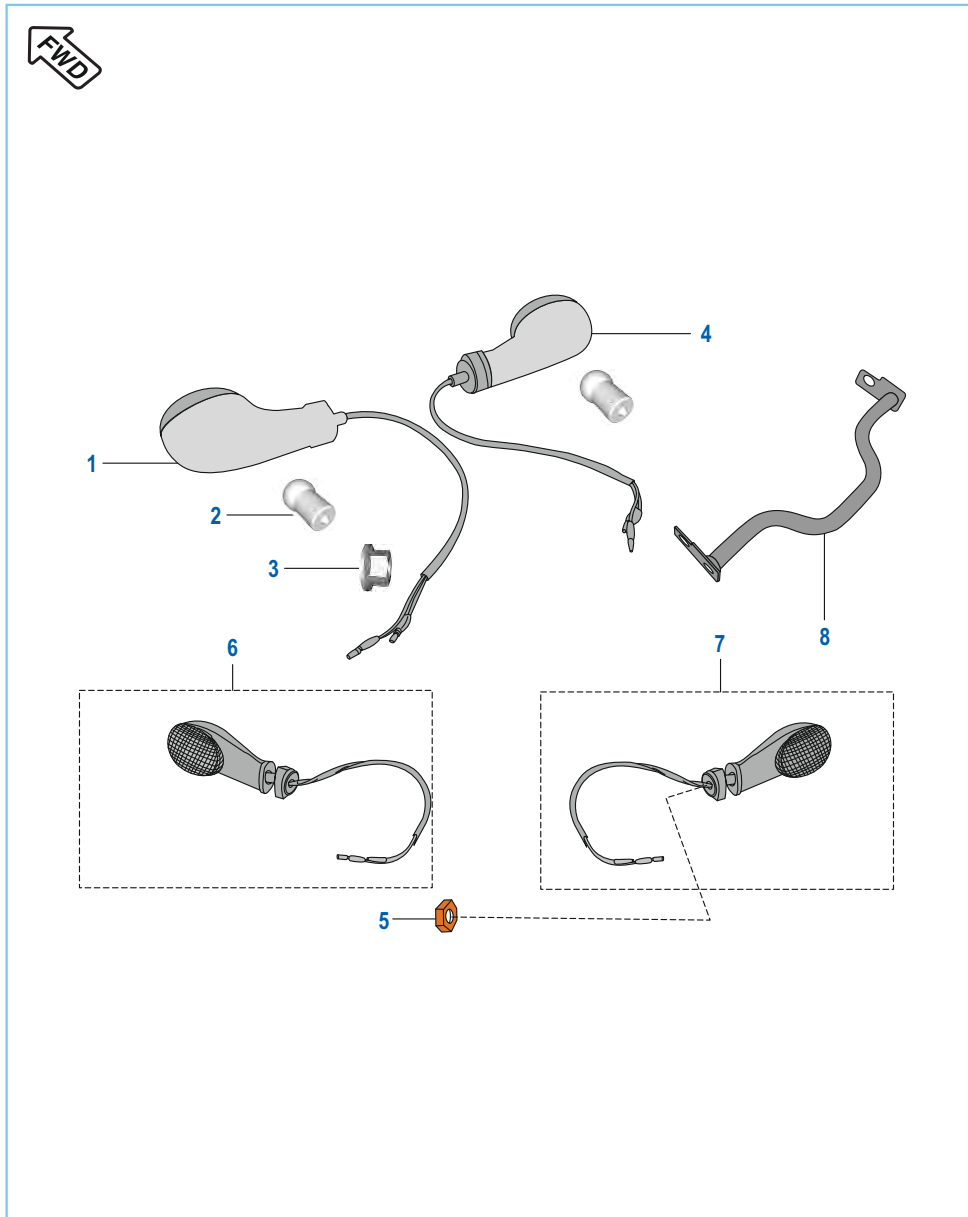
No.	Part No.	Description	CT 100B	Remarks
1	36 DU40 04	Case Chain Kit	1	
2	DF1614 16	Rubber Cap	1	
3	39 2475 04	Hex Head Bolt With Flanged	2	
4	39 2473 04	Bolt Hexagonal Flanged	2	
5	39 1211 11	Washer Plain	2	

Round Head Lamp



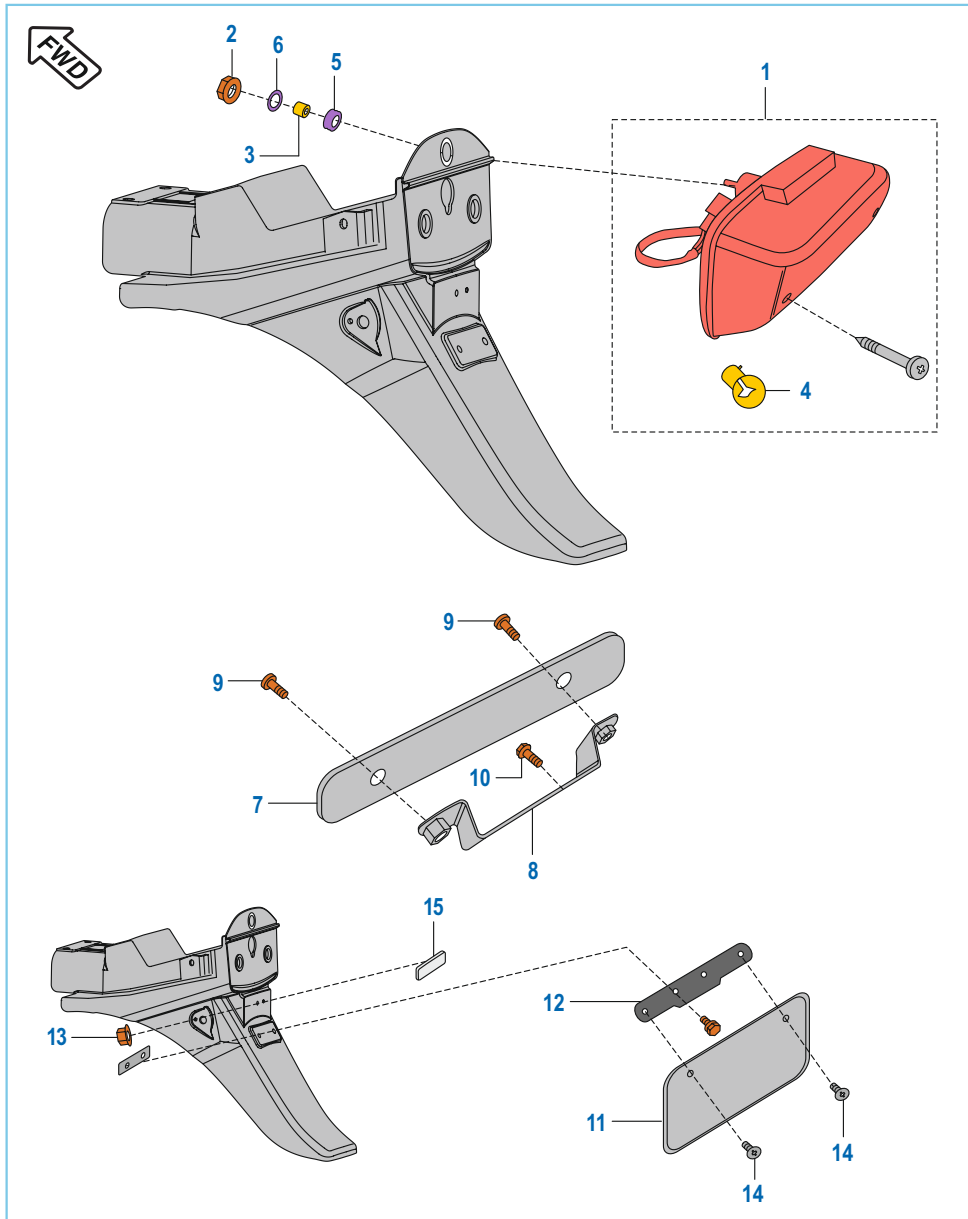
No.	Part No.	Description	CT 100B	Remarks
1	DM 2010 22	Head light assly with lamp	1	
2	DU 2010 57	Head Light Housing	1	
3	DJ 2010 46	Head Light Rim	1	
4	DJ 2010 51	Reflector with Lens	1	
5	DU 2010 29	Special Screw	2	
6	DU 2010 60	Collar	2	
7	DD 2010 10	Damper	2	
8	DD 2010 09	Damper	2	
9	39 1683 04	Flange Bolt	2	
10	39 1970 15	Flange Nut	2	
11	25 2010 09	Lamp 12 V 35/35 W	1	
12	DF 2010 58	Lamp Holder (Socket) Assly.	1	

Indicator Light Assembly



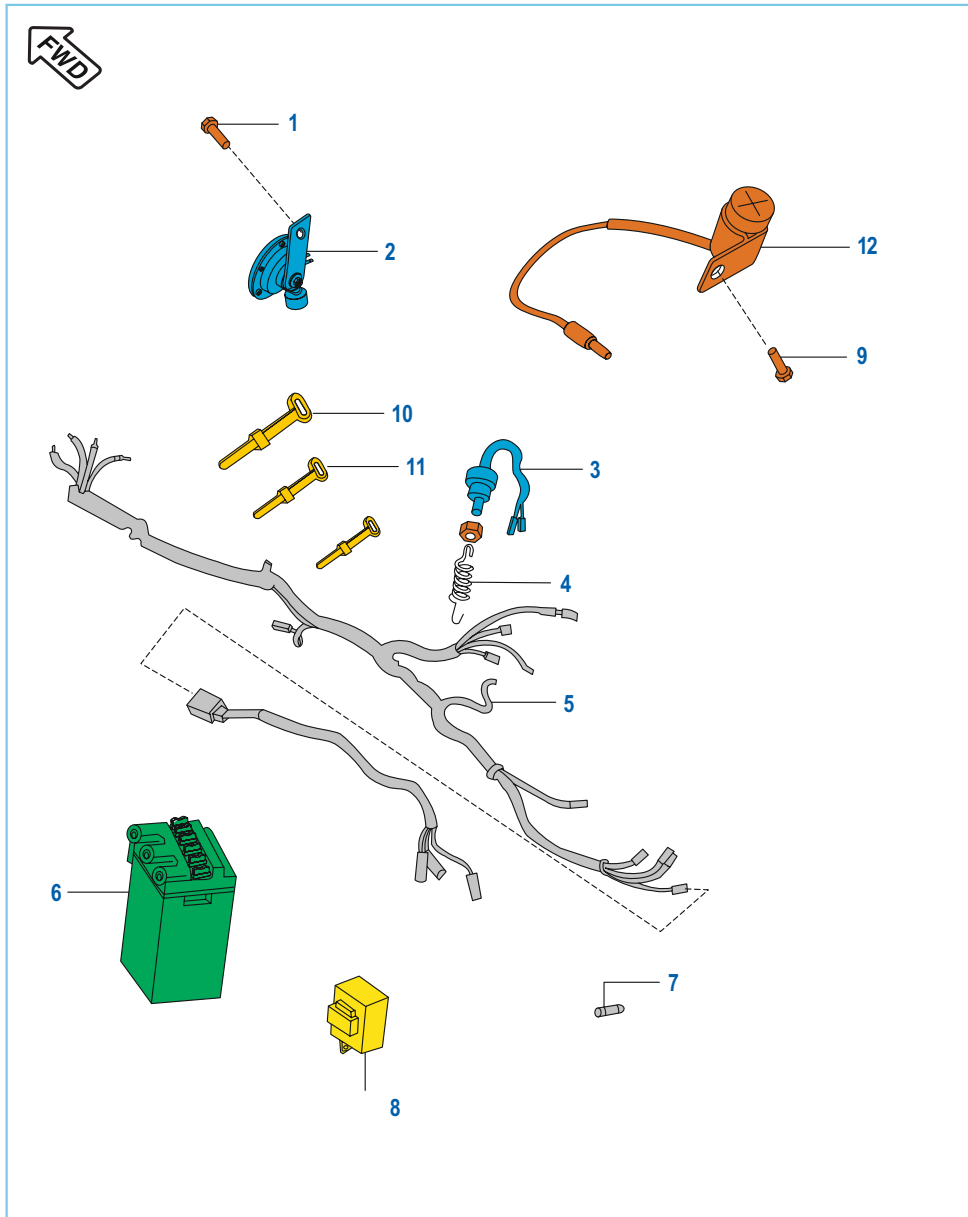
No.	Part No.	Description	CT 100B	Remarks
1	DZ 2010 25	FR LH Blinker	1	Front Indicator
2	06 2010 83	Lamp 12V-10W	4	
3	39 1225 15	Nut-Hex-Flanged	2	
4	DZ 2010 26	FR RH Blinker	1	
5	39 1225 15	Nut - Hex Flanged	2	
6	DZ 2010 27	RR LH Blinker	1	
7	DZ 2010 28	RR RH Blinker	1	

Tail Lamp Assly / Number Plate

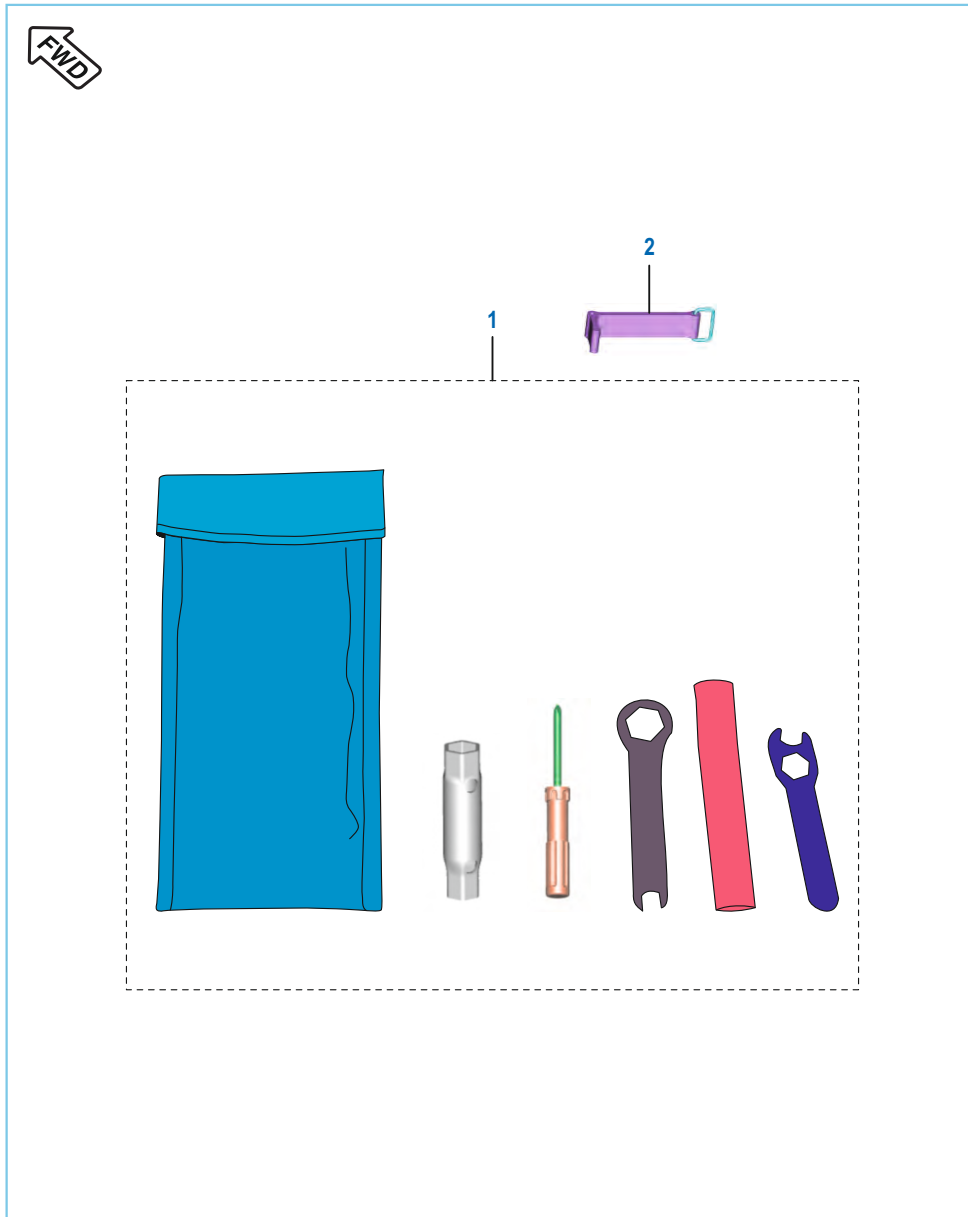


No.	Part No.	Description	CT 100B	Remarks
1	DF 2011 38	Tail Light Assly. with Bulb	1	
2	39 0817 15	Hex Nut / Flange	3	
3	31 2010 01	Collar	3	
4	31 2010 28	Lamp 12 V, 10/5W	1	
5	DD 2010 11	Damper	3	
6	39 0211 11	Plain Washer	3	
7	DP 1611 44	Front Number plate	1	
8	DD 1811 87	Bracket Front No. Plate	1	
9	39 1783 01	Truss Screw	2	
10	39 2473 04	Flanged bolt	2	
11	DP 1611 45	Number plate Rear	1	
12	DZ 1612 65	Bracket No. Plate	1	
13	KC GA05 05	Nut Hex Flanged	1	
14	39 2765 01	Truss Screw	2	
15	30 2010 69	Reflector Reflex	1	

Electrical Equipments



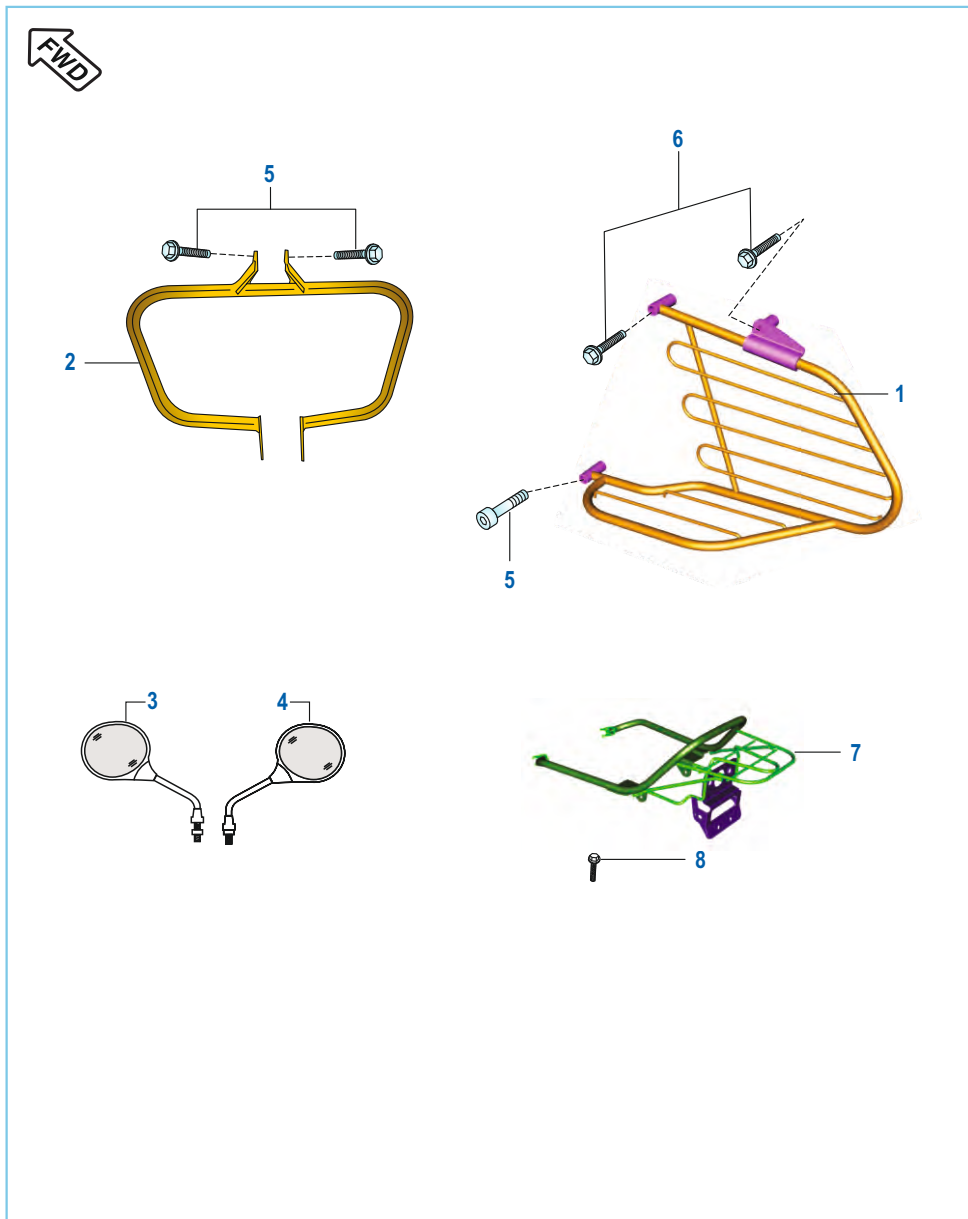
No.	Part No.	Description	CT 100B	Remarks
1	39 1940 04	Flanged Bolt	1	
2	DZ 2010 38	Horn	1	
3	31 2010 79	Switch Rear Brake	1	
4	30 2010 74	Spring Brake Switch	1	
5	DM 2010 37	Wiring Harness	1	
6	31 2010 27	Battery	1	
7	30 2010 85	Fuse, 15A	1	
8	DS 2010 25	Assy D C Flasher	1	
9	39 2473 04	Hex Head Bolt / Flange	1	
10	31 2010 09	Band	1	
11	30 2010 64	Band	4	
12	DU 2010 63	Capacitor	1	



Tool Kit

No.	Part No.	Description	CT 100B	Remarks
1	DM 2210 13	Tool Kit	1	
2	DM 2210 01	Band For Tool Kit	1	

Accessories / Grab Handle



No.	Part No.	Description	CT 100B	Remarks
1	DM 2210 17	Sari Guard	1	
2	DZ 2210 11	Leg Guard	1	
3	DF 2210 37	Mirror LH	1	
4	DF 2210 07	Mirror RH	1	
5	39 1814 04	Bolt - Flanged	1	
6	39 1608 04	Bolt- Hex. Socket Head M 10x1.5	2	
7	DM 2210 19	Grip Frame	1	
8	39 1940 04	Bolt Flanged	4	

Painted Parts and Decals (CT 100B)



No.	Part No.	Description	CT 100B	Remarks
1	52 DM03 10	Fuel Tank Eb Black W Red Dcl	1	
	52 DM03 11	Fuel Tank Flame Red W Dcl	1	
	52 DM03 12	Fuel Tank Electron Blue W Dcl	1	
	52 DM03 13	Fuel Tank Eb. Black W Blue Dcl	1	
2	52 DM02 97	Side Cove LH Blk Red Dcl	1	
	52 DM02 99	Side cover LH Flame Red Dcl	1	
	52 DM03 01	Side cover LH EI Blue Dcl	1	
	52 DM03 03	Side Cover LH Black Blue Dcl	1	
3	52 DM02 98	Side Cove RH Blk Red Dcl	1	
	52 DM03 00	Side cover RH Flame Red Dcl	1	
	52 DM03 02	Side cover RH EI Blue Dcl	1	
	52 DM03 04	Side Cover RH Black Blue Dcl	1	
4	DU 7307 X4	Front Fender Painted (new) Flame red	1	
	DU 7307 3E	Front Fender Painted Electron Blue	1	
	DU 7307 22	Assembly Fendor Jet Black	1	
5	36 DU40 65	Kit Tank Decal Black Red	1	
	36 DU40 66	Kit Tank Decal Flame Red	1	
	36 DU40 67	Kit Tank Decal EI Blue	1	
	36 DU40 68	Kit Tank Decal Black Blue	1	
6	36 DU40 69	Kit Side Cover Decal Black Red	1	
	36 DU40 70	Kit Side Cover Decal Flame Red	1	
	36 DU40 71	Kit Side Cover Decal EI Blue	1	
	36 DU40 72	Kit Side Cover Decal Black Blue	1	
7	DU 1012 32	Engine Decal	1	Common for all

Kit List

Sr No	Kit Part No.	Kit Description	Consisting of Following Parts		
			Part No.	Description	Qty/Kit
1	36DU4038	DCL Tank Bl-Red	DU141248	Tank Decal Upper LH Black Red	1
			DU141249	Tank Decal Upper RH Black Red	1
			DU141234	Tank Decal Lower LH Black Red	1
			DU141235	Tank Decal Lower RH Black Red	1
2	36DU4039	DCL Tank Fl-Red	DU141250	Tank Decal Upper LH Flame Red	1
			DU141251	Tank Decal Upper RH Flame Red	1
			DU141238	Tank Decal Lower LH Flame Red	1
			DU141239	Tank Decal Lower RH Flame Red	1
3	36DU4040	DCL Tank El-Blue	DU141252	Tank Decal Upper LH Electric Blue	1
			DU141253	Tank Decal Upper RH Electric Blue	1
			DU141242	Tank Decal Lower LH Electric Blue	1
			DU141243	Tank Decal Lower RH Electric Blue	1
4	36DU4051	Valve Repair	DD101440	Spring - Stiffer	2
			31101018	Retainer Valve Spring	2
			31101019	Collet	4
			31101045	Seat - Spring	2
5	36DF1701	Kit Bush Shocker	39255601	Screw Pan Cross - M6	2
			30171030	Bush - Rubber	4
			30171031	Bush - Inner	4
6	52DF0021	SF for Chain Adjuster RH	15151062	Adjuster - Chain :- Left Hand	1
			39029215	Nut - Hexagon :- M6 X 1	2
			39071111	Washer - Plain	1
7	52DF0020	SF for Chain Adjuster Sub-Assly(Lh)	15151061	Adjuster - Chain : Right Hand	1
			39029215	Nut - Hexagon :- M6 X 1	2
			39071111	Washer - Plain	1
			DD101350	Stud - M6	2
8	DU101208	Cylinder Head Assly	DU101192	Head Cylinder	1
			39102121	Ring - O	2
9	36DU4055	Primary Drive+Driven	DX101047	Gear Primary Helical	1
			DX101054	Housing Comp Clutch	1

Kit List

Sr No	Kit Part No.	Kit Description	Consisting of Following Parts		
			Part No.	Description	Qty/Kit
10	36DZ0008	Kit Gear Meter Screw Aw (Platina)	31151064	Gear - Speedometer	1
			30151041	Gear Meter Screw	1
11	DU181032	Lock Asy-Ve St.Cum Ign. Swtch-Pt	DU201056	Switch - Ignition	1
			DF201246	Key Set	1
			DU141026	Rotor (Falling Shutter Type)	1
			31161171	Lock For Side Cover	1
12	36314005	Kit Steering Cone	DH181026	Bearing Race	2
			DH181025	Bearing Cone	1
			DH181023	Bearing Cone (Fork)	1
			36001052	Grease Lithon Rr3	1
			36314002	Kit Ball Steel	1
13	30181053	Cylinder Complete Fork	30181018	Cylinder - Fork	1
			30181019	Cap Oil Lock	1
			30181020	Piston Ring	1
			30181021	Spring - Front Fork	1
14	36311028	Kit Valve Caliber	DD101134	Valve - Intake	1
			DD101135	Valve - Exhaust	1
15	36311006	Kit Chain Guide 4S	31101025	Guide - Chain	1
			31101026	Guide - Chain	1
16	DZ101047	Cover Clutch/Graphic	DU101209	Cover RH	1
			31101064	Plug	1
			DS101201	Bushing (PTFE) (SKF)	1
			DZ101046	Decal Label - Clutch Cover	1
17	36DU1007	Boss Kick Set - CT 100	30101233	Boss	1
			30101234	Spring	1
			30101236	Ball - Steel	1
			30101235	Pin	1
			39085517	Circlip : E-Type	1
18	36DZ0020	Kit Fork Oil Seal	DL181080	Seal-Oil:Fork+2Gartr Sprng,	1
			DD181011	Seal - Dust	1
19	DU101218	Assly Cyl Block & Piston	DX101009	Cyl. Block Comp (C.I)	1

Kit List

Sr No	Kit Part No.	Kit Description	Consisting of Following Parts		
			Part No.	Description	Qty/Kit
			DU101207	Piston Assy	1
20	36DD4008	Kit Plate Clutch	DD101480	Plate - Friction for 115cc Engine	5
21	36DU4017	Kit Ct100 Chain Sprocket (17-Modified)	DU151027	Sprocket Hub (42T)	1
			DF151023	Chain (112 Links)	1
			DX101052	Sprocket Output	1
22	36DU1004	Gear Lever Spring Kit	31101055	Spring	1
			31101054	Spring	1
			DU101084	Spring - Stopper Gear Shift	1
23	36DU1201	Air Filter Kit - CT 100	DM121007	Ring - O : Air Filter	1
			DM121004	Cap	1
			1110609	Washer - Plain	4
			39071111	Washer - Plain	1
24	36DU4061	DCL S CVR BL RED	DM161174	Cover Side Decal Lh BI Red	1
			DM161175	Cover Side Decal Rh BI Red	1
25	36DU4062	DCL S CVR FL RED	DM161176	Cover Side Decal Lh FI Red	1
			DM161177	Cover Side Decal Rh FI Red	1
26	36DU4063	DCL S CVR EL BLUE	DM161178	Cover Side Decal LH EI Blue	1
			DM161179	Cover Side Decal RH EI Blue	1
27	36DU4064	DCL S CVR BL BLUE	DM161180	Cover Side Decal Lh BI Blue	1
			DM161181	Cover Side Decal RH BI Blue	1

Kit List

Sr No	Kit Part No.	Kit Description	Consisting of Following Parts		
			Part No.	Description	Qty/Kit

Parts Index

Part Number	Figure No.	Page No.	Part Number	Figure No.	Page No.
01100610	3	10	30181026	5	64
01110609	11	50	30181029	12	64
01170110	7	18	30181053	9	64
01170111	6	18	30191031	7	60
01170111	2	20	30191035	8	60
06201083	2	78	30191036	13	60
14151021	19	56	30191037	12	60
16151066	1	54	30191038	4	60
22150241	7	24	30191048	19	62
22150435	12	50	30191067	8	72
25201009	11	76	30191069	3	72
28101107	16	10	30191070	2	72
28101214	9	30	30191071	4	72
30101096	7	30	30191072	5	72
30101142	6	26	30201064	11	82
30101154	5	24	30201069	16	50
30141039	6	66	30201069	15	80
30141052	2	66	30201074	4	82
30151005	23	58	30201085	7	82
30151038	12	56	31101006	3	2
30151038	17	58	31101014	2	36
30151069	16	56	31101019	2	4
30151069	13	58	31101033	8	6
30151095	14	60	31101038	11	24
30151118	22	56	31101039	10	24
30161157	5	52	31101040	16	24
30161158	4	52	31101041	8	24
30161169	7	68	31101051	2	14
30161169	10	68	31101056	9	20
30171018	9	46	31101061	4	28
30171022	20	48	31101062	2	28
30181023	8	64	31101067	4	26
30181025	4	64	31101104	4	4

Parts Index

Part Number	Figure No.	Page No.	Part Number	Figure No.	Page No.
31101108	10	16	31211004	2	40
31101109	11	16	33141008	9	66
31101113	5	28	36311006	9	6
31101137	2	30	36311028	7	4
31101148	13	30	36314005	6	44
31101173	4	10	39014708	2	34
31101175	16	2	39019811	2	60
31101191	1	14	39020111	8	46
31101192	5	14	39021111	6	80
31101216	13	12	39024211	24	56
31111056	17	38	39024811	6	46
31121029	4	34	39029215	14	46
31151004	3	56	39042215	2	52
31151011	14	56	39042215	18	62
31151014	21	56	39055302	18	46
31151018	9	58	39070201	5	4
31151018	12	58	39070201	8	20
31151021	10	58	39070815	10	60
31151024	16	58	39071111	13	46
31151026	24	58	39071111	6	50
31151028	26	58	39071215	1	46
31151029	3	58	39071411	3	46
31151037	18	58	39071411	21	58
31151060	17	56	39073712	2	46
31151060	14	58	39073817	14	24
31171012	16	46	39074011	8	66
31191002	3	44	39074501	13	38
31201001	3	80	39074601	5	16
31201009	10	82	39074801	6	6
31201027	6	82	39075301	2	22
31201028	4	80	39076101	3	66
31201079	3	82	39077504	9	56
31201081	10	20	39077504	19	58

Parts Index

Part Number	Figure No.	Page No.	Part Number	Figure No.	Page No.
39078408	14	48	39100320	5	38
39078708	7	52	39100820	7	20
39078912	11	60	39101321	5	22
39078912	16	64	39101321	18	56
39079415	4	58	39101721	14	2
39079708	6	60	39101921	3	28
39079815	15	56	39102304	13	26
39079815	27	58	39102821	6	38
39079815	8	70	39104119	5	26
39080511	2A	60	39104219	4	38
39080708	9	60	39104319	5	20
39080808	5	60	39105315	11	30
39081715	7	50	39105515	2	10
39081715	2	80	39106604	4	20
39083001	14	34	39107404	7	28
39083001	20	62	39107404	3	62
39084001	26	56	39107504	12	20
39090012	25	56	39107504	10	26
39097804	2	58	39107801	3	22
39098004	10	30	39108019	6	20
39098517	5	8	39118415	21	62
39098717	4	12	39121111	3	40
39098815	8	58	39121111	5	74
39099206	6	14	39122515	10	46
39099311	9	24	39122515	3	78
39099511	13	24	39122515	5	78
39099906	7	6	39128321	3	32
39099906	4	18	39130911	17	46
39099906	4	22	39136420	7B	58
39099906	3	26	39155304	9	38
39099906	8	28	39155304	2	68
39100006	12	2	39156121	27	56
39100006	3	8	39160804	6	86

Parts Index

Part Number	Figure No.	Page No.	Part Number	Figure No.	Page No.
39165911	7	38	39240701	9	34
39167304	4	2	39245504	3	42
39167304	10A	2	39247304	2	44
39168004	8	34	39247304	4	74
39168304	9	76	39247304	10	80
39169901	8	10	39247304	9	82
39178301	9	80	39247404	8	16
39178924	10	34	39247504	3	74
39178924	5	68	39248104	6	48
39179021	12	6	39248304	9	50
39180204	4	40	39248415	10	50
39181304	14	64	39248415	13	50
39181304	17	64	39260011	3	30
39181404	5	86	39268020	1	56
39186420	5	10	39268120	5	56
39186420	3	18	39270204	9	42
39194004	3	48	39270411	12	16
39194004	1	82	39272315	10	42
39194004	8	86	39275404	8	36
39194304	21	64	39276501	14	80
39197015	10	76	59040017	8	42
39198104	15	12	59040018	7	42
39199404	2	16	59110004	6	2
39204021	11	6	59150003	22	58
39213421	8	26	59150005	4	42
39214704	10	28	36DD4001	2	8
39217924	4	66	36DD4008	6	30
39219908	14	10	36DF1701	5	46
39220011	12	10	36DU1001	2	2
39222204	1	50	36DU1004	3	16
39224020	5	58	36DU1007	6	24
39236615	1A	46	36DU1202	7	32
39240320	12	30	36DU1203	8	32

Parts Index

Part Number	Figure No.	Page No.	Part Number	Figure No.	Page No.
36DU1204	5	32	52DU0555	11	46
36DU1205	6	32	BA102006	3	20
36DU1206	4	32	DD101007	4	8
36DU4004	1	74	DD101062	13	6
36DU4017	1	58	DD101106	7	16
36DU4051	6	4	DD101254	3	24
36DU4055	15	30	DD101264	2	24
36Du4065	5	88	DD101309	1	12
36Du4066	5	88	DD101318	3	38
36Du4067	5	88	DD101325	7	26
36Du4068	5	88	DD101343	13	2
36Du4069	6	88	DD101347	7	2
36Du4070	6	88	DD101349	9	2
36Du4071	6	88	DD101350	8	2
36Du4072	6	88	DD101366	7	36
36DZ0008	4	56	DD101407	10	6
52DD0253	10	2	DD101475	16	12
52DM0086	9	28	DD101481	15	2
52DM0297	2	88	DD101492	5	30
52DM0298	3	88	DD101493	8	30
52DM0299	2	88	DD101517	12	26
52DM0300	3	88	DD101521	5	2
52DM0301	2	88	DD111011	14	38
52DM0302	3	88	DD111012	16	38
52DM0303	2	88	DD111018	11	38
52DM0304	3	88	DD111048	15	38
52DM0310	1	88	DD121168	20	32
52DM0311	1	88	DD121171	11	32
52DM0312	1	88	DD141227	7	66
52DM0313	1	88	DD151008	10	56
52DU0104	6	16	DD151009	7	56
52DU0156	1	28	DD161051	8	50
52DU0197	1	26	DD161052	11	42

Parts Index

Part Number	Figure No.	Page No.	Part Number	Figure No.	Page No.
DD161053	1	42	DF181089	19	64
DD161078	1A	60	DF181090	4	44
DD181011	6	64	DF181091	14	62
DD181031	2	64	DF181092	15	62
DD181034	3	64	DF191026	7	62
DD181187	8	80	DF191027	10	62
DD181205	22	62	DF191066	8	62
DD181205	20	64	DF201058	12	76
DD181207	15	64	DF201138	1	80
DD201009	8	76	DF221007	4	86
DD201010	7	76	DF221037	3	86
DD201011	5	80	DG101498	9	18
DD201170	9	62	DG141019	4	68
DE181031	11	64	DG151022	8	54
DF111016	1	38	DG161124	8	52
DF111020	2	38	DH101066	13	10
DF121003	1	22	DH101067	15	10
DF121023	1	34	DH101195	9	10
DF141120	1	66	DH101607	5	36
DF141128	1	68	DH101784	11	20
DF151003	2	56	DH121038	15	34
DF151016	15	60	DH161194	8	48
DF161102	3	52	DH191037	2	70
DF161104	4	50	DJ181115	7	44
DF161159	15	50	DJ201046	3	76
DF161168	2	42	DJ201051	4	76
DF161245	14	50	DL161017	9	68
DF161413	2	48	DL161048	1	52
DF161416	2	74	DL181080	7	64
DF161425	1	48	DM101098	4	14
DF161426	6	34	DM101099	8	14
DF181052	5	44	DM101139	6	28
DF181085	13	64	DM101140	9	26

Parts Index

Part Number	Figure No.	Page No.	Part Number	Figure No.	Page No.
DM121004	13	34	DS201025	8	82
DM121007	5	34	DU101005	1	10
DM121010	11	34	DU101010	11	10
DM121014	12	34	DU101038	12	24
DM151027	6	54	DU101041	7	10
DM151029	4	54	DU101045	15	24
DM161009	5	50	DU101050	1	24
DM161158	1	44	DU101056	3	6
DM171027	4	46	DU101057	2	32
DM181036	10	64	DU101058	17	2
DM181043	1	64	DU101066	4	6
DM191002	11	72	DU101067	2	6
DM191009	1	70	DU101073	1	16
DM191014	11	62	DU101074	4	16
DM191015	12	62	DU101075	2	18
DM201022	1	76	DU101080	7	12
DM201036	4	62	DU101081	3	14
DM201037	5	82	DU101083	9	14
DM211024	1	40	DU101085	5	18
DM221001	7	34	DU101109	4	30
DM221001	2	84	DU101113	13	16
DM221013	1	84	DU101185	9	16
DM221017	1	86	DU101190	3	4
DM221019	7	86	DU101191	1	4
DP101168	14	12	DU101206	3	36
DP101340	7	14	DU101208	1	2
DP101452	8	18	DU101213	11	12
DP121025	14	20	DU101218	1	8
DP161144	7	80	DU101223	10	18
DP161145	11	80	DU101225	5	6
DP161163	19	48	DU101228	11	2
DP161170	17	48	DU101228	9	32
DS151051	5	54	DU101232	7	88

Parts Index

Part Number	Figure No.	Page No.	Part Number	Figure No.	Page No.
DU101245	1	18	DU191023	4	70
DU101278	6	12	DU191024	7	70
DU101279	2	12	DU191025	5	70
DU101280	1	20	DU191029	3	70
DU111006	8	38	DU191030	3	60
DU121005	11	26	DU191035	6	62
DU121008	3	34	DU191044	5	62
DU121009	1	32	DU191046	1	72
DU121013	19	32	DU191047	6	72
DU121015	21	32	DU191048	10	72
DU121017	12	32	DU191050	1	60
DU121018	18	32	DU201029	5	76
DU121021	17	32	DU201057	2	76
DU121022	16	32	DU201060	6	76
DU121028	10	32	DU201062	10	38
DU141014	5	40	DU201063	12	82
DU141027	3	68	DU730722	4	88
DU141228	5	66	DU73073E	4	88
DU151005	6	56	DU7307X4	4	88
DU151009	11	58	DX101035	14	30
DU151010	25	58	DX101046	10	12
DU151018	7	54	DX101048	3	12
DU151025	2	54	DX101049	5	12
DU151025	9	54	DX101050	9	12
DU151026	3	54	DX101051	8	12
DU151026	10	54	DX101052	12	12
DU151029	20	58	DX101053	10	10
DU151031	8	56	DX101055	1	30
DU161032	6	52	DX151081	6	58
DU161196	8	44	DZ101031	6	36
DU161266	4	48	DZ101034	13	20
DU161268	5	48	DZ101044	4	36
DU181107	1	62	DZ101046	2	26

Parts Index

Part Number	Figure No.	Page No.
DZ101075	1	6
DZ111012	12	38
DZ141075	12	66
DZ151012	11	56
DZ151027	13	56
DZ161265	12	80
DZ191014	7	72
DZ191019	9	72
DZ201025	1	78
DZ201026	4	78
DZ201027	6	78
DZ201028	7	78
DZ201038	2	82
DZ221011	2	86
FA101334	6	10
FD181012	18	64
FD181019	16	62
FD181020	17	62
FD181030	2	62
FD181031	13	62
JA131606	23	56
JA621206	4	24
JB131223	15	58
JK113008	18	48
JK122002	15	46
JK122004	12	46
KBCC0514	20	56
KCGA0505	13	80
KPBB6301	7A	58
LAD00026	14	6
LDA00012	7	46
PF171803	10	66
PF232603	22	64

Part Number	Figure No.	Page No.
PF232603	11	66
PF232603	8	68
YDM07001	1	36
YDU10002	6	70
YDU10003	4	70
YDU10004	7	70
YDU10005	9	70
YDU10006	5	70
YDU10007	6	70
YDU10010	9	70

Parts Index

Part Number	Figure No.	Page No.
-------------	------------	----------

Part Number	Figure No.	Page No.
-------------	------------	----------

Parts Index

Part Number	Figure No.	Page No.

Part Number	Figure No.	Page No.

Parts Index

Part Number	Figure No.	Page No.

Part Number	Figure No.	Page No.