

ROYAL ENFIELD trip[↑]

RETIRED
MODELS
PARTS
CATALOGUE /

FOREWORD

**ROYAL
ENFIELD**

We take pleasure in releasing this Combined Parts Catalogue for Royal Enfield Retired Model Motorcycles.

The illustrations of the various parts are not to scale and is intended to serve as a means of identification of the component for its shape and the relative location in its respective assembly.

The Catalogue has been specially designed for selection of correct part number to maintain the vehicle, for its optimum performance, longer life and for enjoying the best running condition.

The Royal Enfield Spares are manufactured under stringent quality control to ensure ultimate riding experience. It is therefore important to use only Royal Enfield Genuine Spares.

Due to continuous improvement on performance and efficiency of the vehicle since this catalogue was printed, it is possible some illustration, designs etc., found within this catalogue may differ from those found on the vehicle.

Such modification will be conveyed through our Technical Service Bulletins, you are requested to update with the correct part numbers in this catalogue.

The details of parts with respect to parts number, shapes, dimensions and materials are subject to change without any prior notice. While extreme care is taken in publishing this catalogue, we shall not be held responsible for loss of any nature due to errors if any or wrong interpretation.

“© Copyright 2011 Eicher Limited, Royal Enfield Unit. All Rights Reserved. No part of this Bike Electricals & Electronics Training Guide shall be copied, distributed or otherwise dealt without the express permission in written from the Eicher Motors Limited, Royal Enfield Unit who remains the sole owner of this manual .”

Updated Nov. 2011

Part No. 888038 / Qty. 300 / Nov. '11 / OMR / Revision 1.0

SERVICE HEADQUARTERS :

ROYAL ENFIELD

(Unit of Eicher Motors Limited)

Thiruvottiyur High Road, Thiruvottiyur,
Chennai - 600 019. India.

Tel : 044 - 4223 0400, Fax : 044 - 4201 1719

E-mail: customerservice@royalenfield.com

Website : www.royalenfield.com

Foreword.....	1
General Information	3
Group Index	7
Group Index - Pictorial	8
Part Numbers with illustration	16
Part Number Index.....	302

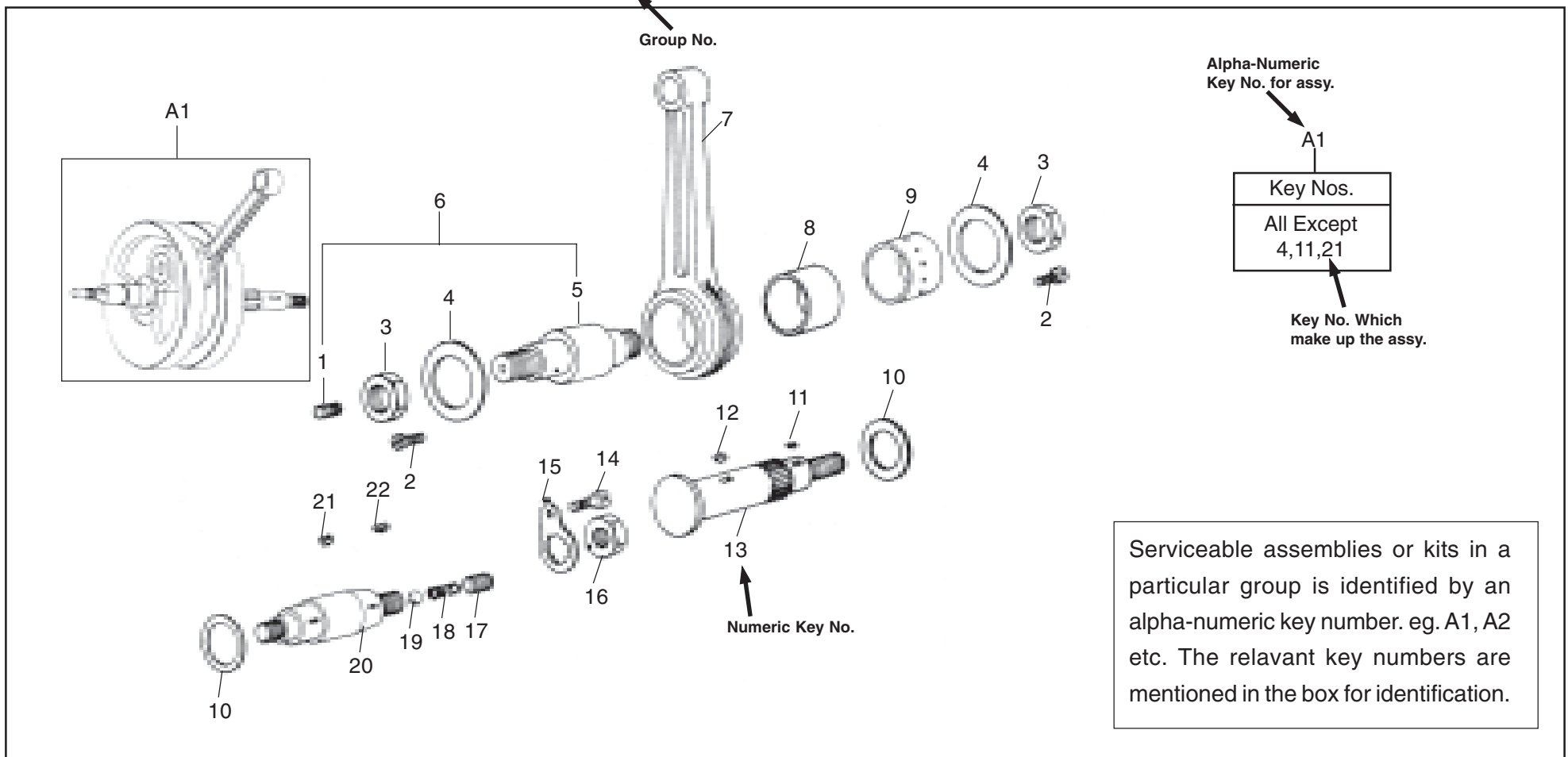
GENERAL INFORMATION

For easy reference and quick identification, the parts are grouped into relevant categories as shown. Details are given in the illustrated Group Index. Tips on usage of this Catalogue.

PICTORIAL ILLUSTRATION

Helps in identifying the shape of the part in its relative assembly.

02-25 CRANK SHAFT



PART NUMBER LIST

1	2		3	4	5										6	
Key No.	Part Numbers		Description	Qty.	Models										Remarks	
	New	Old														

1. KEY NUMBER (KEY NO.)

- The numeric key number is provided to serve as the identification of the part with its part numbers.
- Serviceable assemblies or kits in a particular group are identified by alpha-numeric key numbers. e.g. A1, A2 etc. In such cases, key numbers of individual items or group numbers which make up such assembly / kit are given in the illustration.

2. PART NUMBER

- The Part number of the individual item, kit OR assembly is given in this column for unique identification. The parts for which part numbers are not given, are not individually serviced. Wherever the part numbers has changed since the last reprint, the new number & old number is mentioned along side.

3. DESCRIPTION

- The description of the part assigned to the individual item / kit / assembly is mentioned in this column.

4. QUANTITY (QTY.)

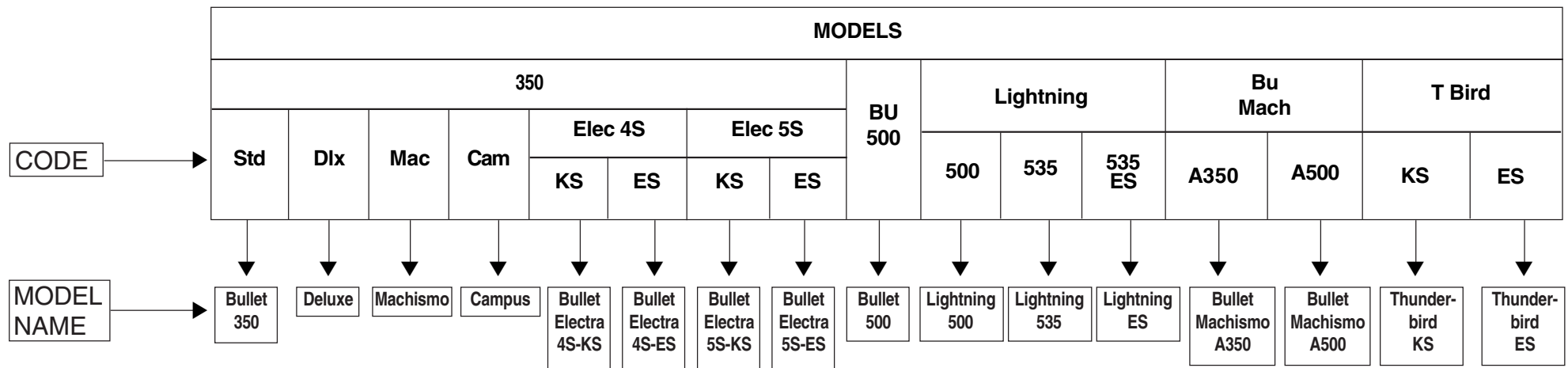
- The number of individual items, kit or assemblies required for one vehicle is mentioned here.
- Through quantity is indicated for oversize (O/S) or undersize (U/S) of some items, it is to be understood that for a vehicle any one of the sizes only is applicable, depending upon the repair / matching requirements.

PART NUMBER LIST

5. MODELS

- Models are codified as shown in the chart below. The '●' indicates the applicability of the part to the respective models.

MODEL CODE CHART



6. REMARKS

- The Month & Year in which a change is effected in the component is mentioned in this column for reference purpose.

Types of orders :

1. Stock order.
2. Vehicle off road (VOR) order.

STOCK ORDER

The Stock orders (MOS) may be sent to Royal Enfield Spare Parts Dept. (Manjambakkam) / Authorised Spare Parts Distributor in your area as applicable. The stock orders should have the following details.

1. Part Number, 2. Part Description, 3. Required Quantity, 4. NDP

VOR ORDER

This is to take care of emergency situations like vehicle “off-road” for want of a particular part. This should not be used for ordering parts for stock.

Printed form / specimen format is supplied by Royal Enfield as per the specimen along side.

VOR order may not be honoured for the following reasons :

- Non endorsement of engine and chassis number in the order form.
- Quantity ordered exceeds the quantity required for the Engine/ Chassis numbers mentioned in the order form.



VOR ORDER FORMAT

From: Date:
 Dealer Name:
 Dealer Address:
 Country:.....
 Phone Number:.....
 E Mail:.....

To,
 Royal Enfield
 (A Unit of Eicher Limited)
 Thiruvottiyur High Road,
 Thiruvottiyur, Chennai - 600 019.
 Ph: 044-4223 0400 Fax: 044-4201 1719
 E-mail: customerservice@royalenfield.com

ROYAL ENFIELD SPARE PARTS ORDER

Dear Sirs

Please arrange to supply the following parts to us.

Sl.No.	Part No.	Description	Qty.	Rate	Amount

Dealer Signature & Seal

GROUP INDEX

<i>Group No.</i>	<i>Description</i>	<i>Page No.</i>
01-10	General Kits I	17
01-15	General Kits II	19
01-20	Engine Kits	23
02-10	Engine	27
02-15	Crank Case	33
02-20	Crank Case Fittings	41
02-25	Crank Shaft	45
02-30	Piston & Rings	49
02-35	Barrel	53
02-40	Cylinder Head	59
02-45	Rocker Assembly	67
02-50	Timing Gears	71
02-55	Timing Cover	73
03-10	Distributor	81
04-10	Gear Case & Gears - 4 Speed	85
04-15	Gear Box End Cover - 4 Speed	89
04-20	Foot Control System - 4 Speed	93
04-25	Gear Box Casing - 5 Speed	97
04-30	Gears & Selector Forks - 5Speed	101
04-35	Carrier Plate & Gear Lever Shaft	103
04-40	End Cover - 5 Speed	107
04-45	Chaincase Inner	111
04-50	Drive Cover & Sprag Clutch Assembly	117
04-55	Clutch	119
04-60	Alternator	125
04-65	Chaincase Outer	129
05-10	Carburetor (VM 24 & VM 28)	133
05-20	Carburetor A-350 (Bink)	139
05-30	CV-Carburetor (BS 26 & BS 29)	141
06-10	Resonator	147
06-20	PAV and Breather Box	151
06-30	Air Filter Box Assembly	155
07-10	Silencer & Exhaust Pipe	161
08-10	Front Wheel & Hub	165

<i>Group No.</i>	<i>Description</i>	<i>Page No.</i>
08-20	Front Brake System	169
08-30	Master Cylinder Assembly	171
08-40	Caliper Assembly	173
08-50	Front Mudguard	175
09-10	Head Lamp Casing	179
09-20	Front Fork Assembly	185
09-30	Handlebar and Controls	193
09-40	Control Cables	199
10-10	Fuel Tank	201
10-20	Fuel Tap and Gauge Unit	211
11-10	Seat Assembly	213
12-10	Tool Box LH	219
12-20	Tool Box RH	223
12-30	Side Decor	227
13-10	Rear Wheel & Hub	229
13-20	Rear Brake System	233
13-30	Brake Pedal & Foot Rests (Front)	237
13-40	Rear Chain and Foot Rests (Rear)	241
13-50	Rear Mudguard	245
14-10	Chain Stay & Shock Assembly	251
14-20	Centre Stand & Side Stand	253
15-10	Frame Assembly	255
16-10	Head Lamp	261
16-20	Ammeter & Speedometer	265
16-30	Instrument Cluster	267
16-40	Trafficator Lights	269
16-50	Tail Lamp	271
17-10	Battery Carrier	275
17-20	Battery and Harness	279
17-30	Switches & Fitments	283
18-10	Tool Kit	289
19-10	Special Tools	291
20-10	Service publications List (Non UCE)	295
21-10	Part Number Index	302


GROUP INDEX - PICTORIAL

01-10 GENERAL KITS I



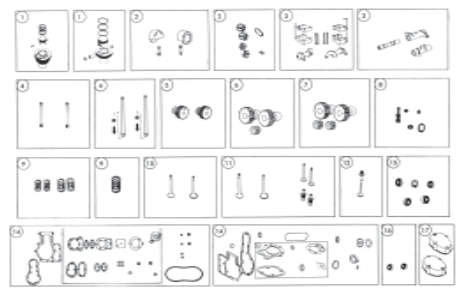
Page 16

01-15 GENERAL KITS II



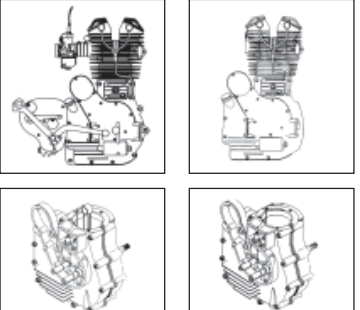
Page 18

01-20 ENGINE KITS



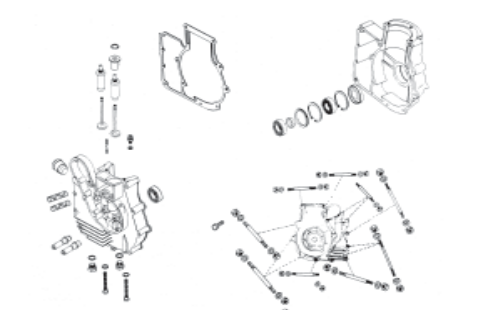
Page 22

02-10 ENGINE



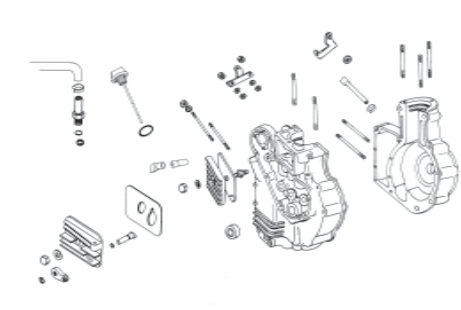
Page 26

02-15 CRANK CASE



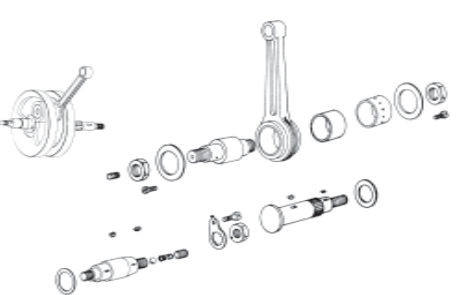
Page 32

02-20 CRANK CASE FITTINGS



Page 40

02-25 CRANK SHAFT



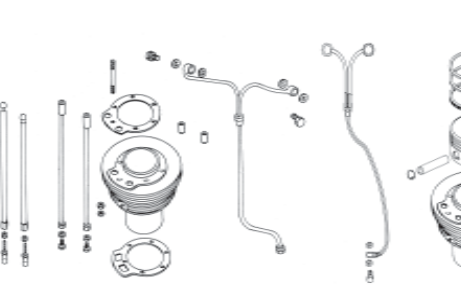
Page 44

02-30 PISTON & RINGS



Page 44

02-35 BARREL

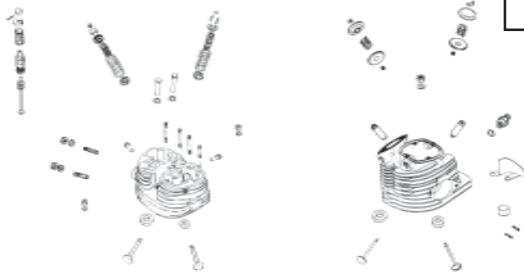


Page 52

GROUP INDEX - PICTORIAL

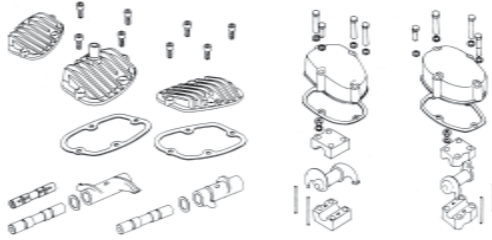
02-40 CYLINDER HEAD

Page
58



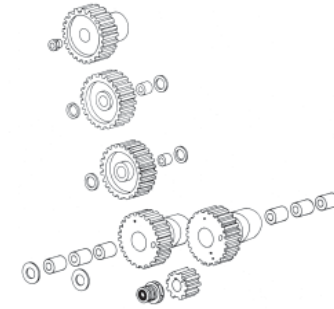
02-45 ROCKER ASSEMBLY

Page
66



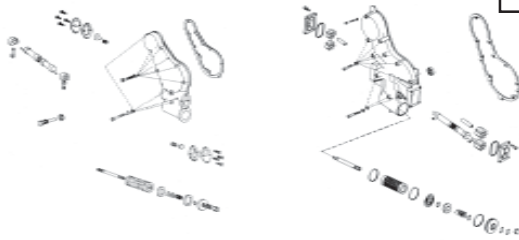
02-50 TIMING GEARS

Page
70



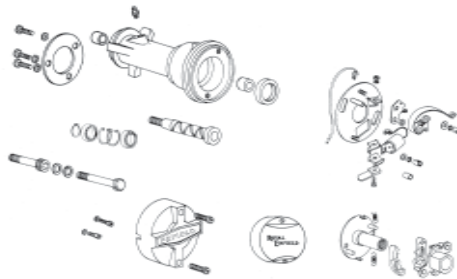
02-55 TIMING COVER

Page
72



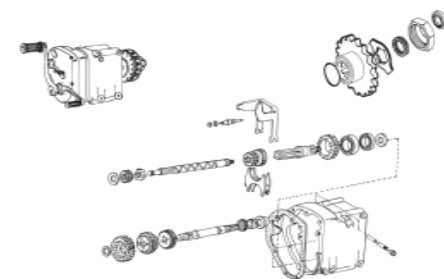
03-10 DISTRIBUTOR

Page
80



04-10 GEAR CASE & GEARS - 4S

Page
84



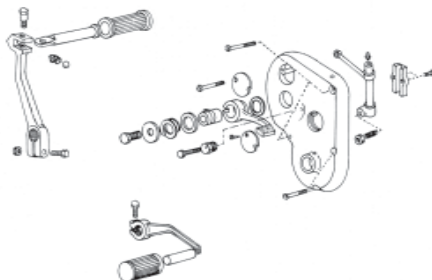
04-15 GEAR BOX END COVER- 4S

Page
88



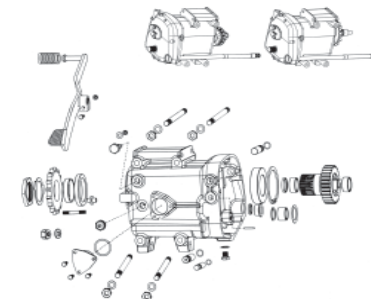
04-20 FOOT CONTROL SYSTEM

Page
92

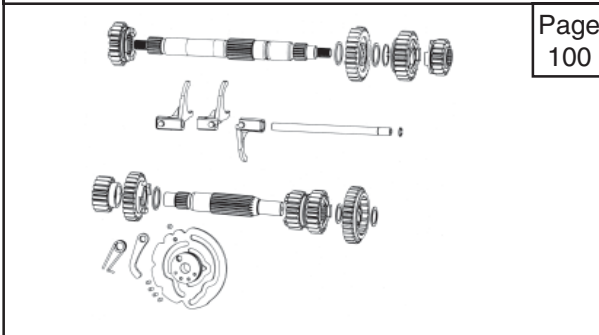


04-25 GEAR BOX CASING - 5 SPEED

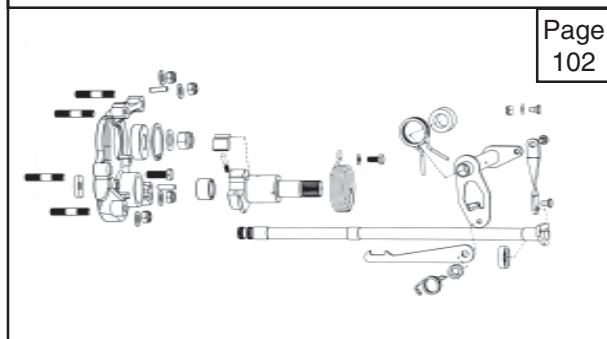
Page
96



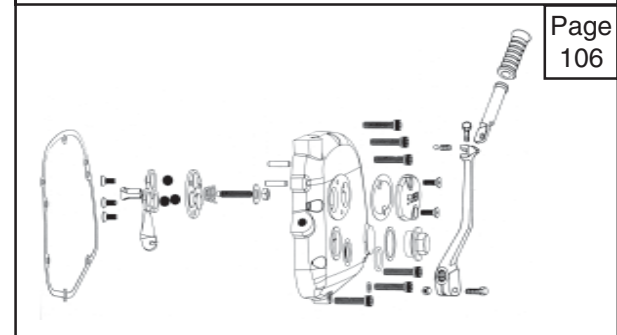
04-30 GEARS & SELECTORS FORKS - 5 SPEED



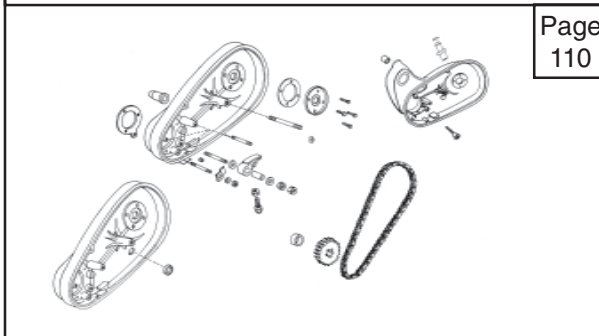
04-35 CARRIER PLATE & GEAR LEVER SHAFT - 5 SPEED



04-40 END COVER - 5 SPEED



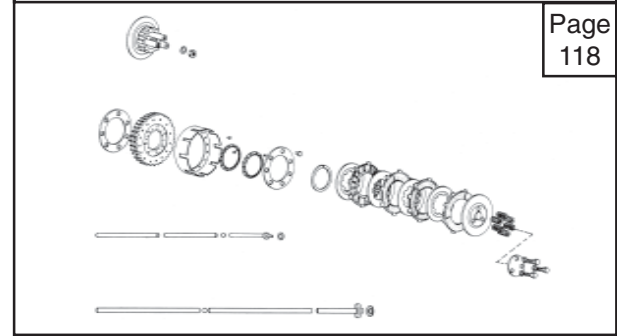
04-45 CHAINCASE INNER



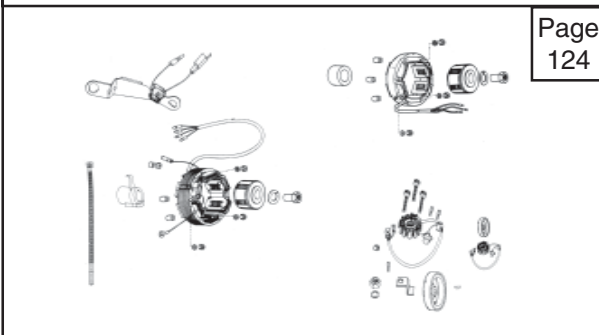
04-50 DRIVE COVER & SPRAG CLUTCH ASSY



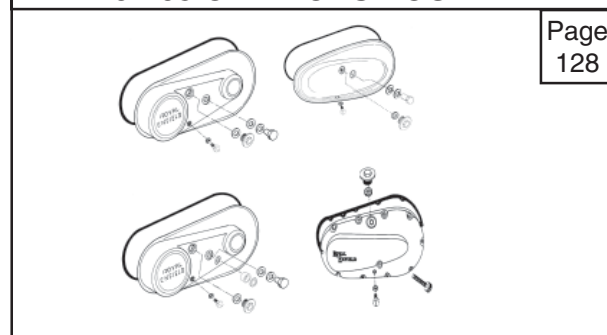
04-55 CLUTCH



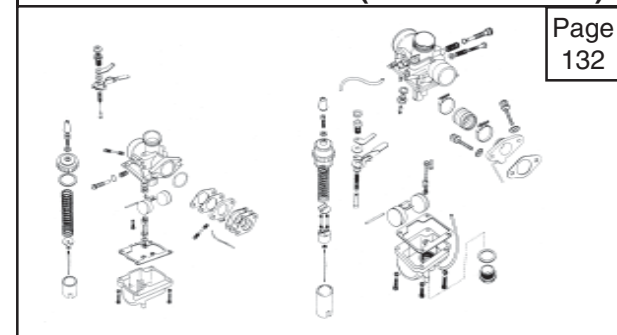
04-60 ALTERNATOR



04-65 CHAINCASE OUTER

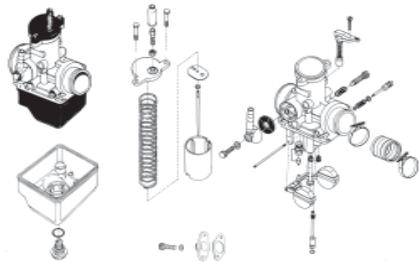


05-10 CARBURETOR (VM 24 & VM 28)



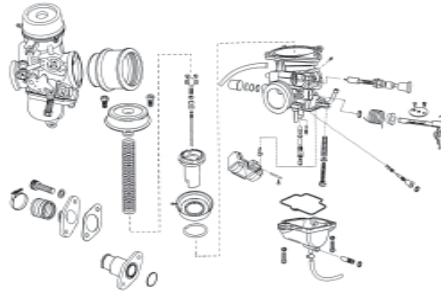
05-20 CARBURETOR A-350 (BINK)

Page
138



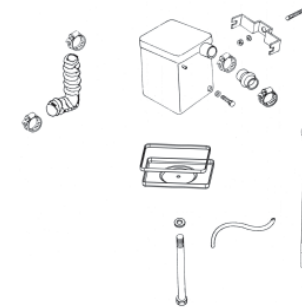
05-30 CV-CARBURETOR (BS 26 & BS 29)

Page
140



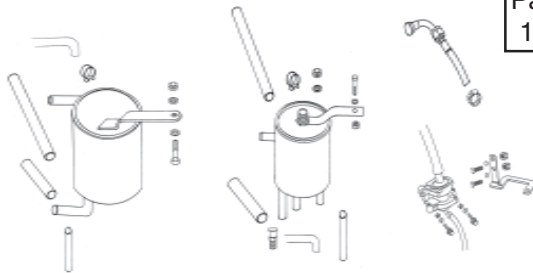
06-10 RESONATOR

Page
146



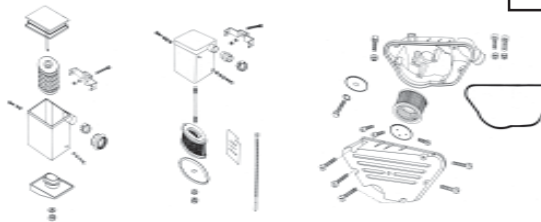
06-20 PAV AND BREATHER BOX

Page
150



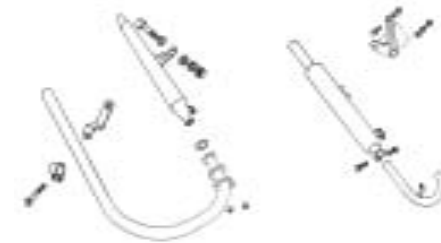
06-30 AIR FILTER BOX ASSEMBLY

Page
154



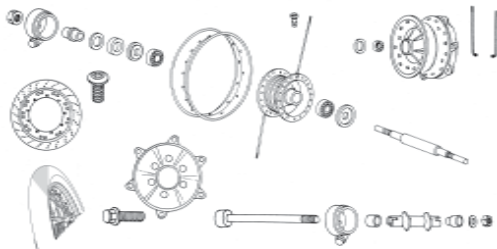
07-10 SILENCER & EXHAUST PIPE

Page
160



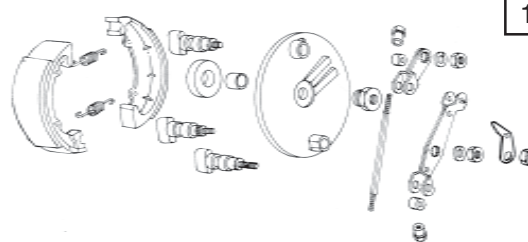
08-10 FRONT WHEEL & HUB

Page
164



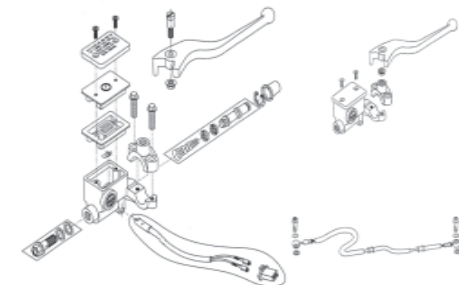
08-20 FRONT BRAKE SYSTEM

Page
168



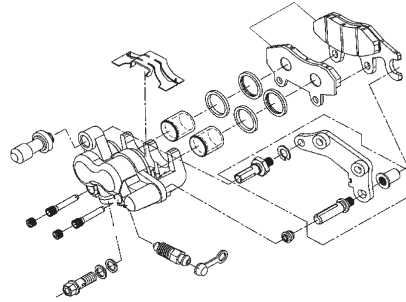
08-30 MASTER CYLINDER ASSY

Page
170



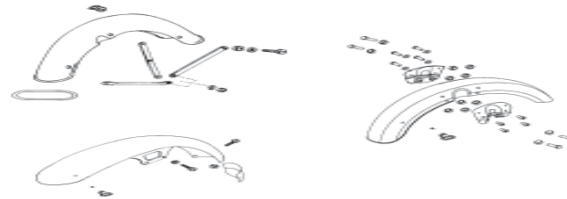
08-40 CALIPER ASSEMBLY

Page
172



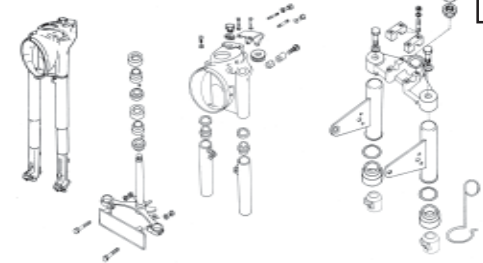
08-50 FRONT MUDGUARD

Page
174



09-10 HEAD LAMP CASING

Page
178



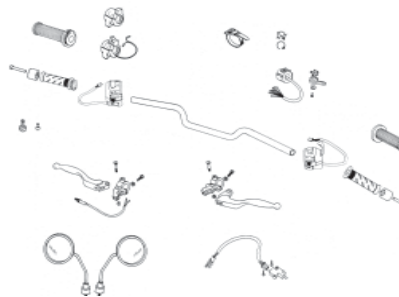
09-20 FRONT FORK ASSEMBLY

Page
184



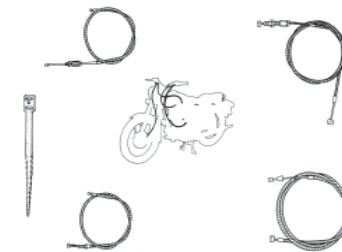
09-30 HANDLEBAR & CONTROLS

Page
192



09-40 CONTROL CABLES

Page
198



10-10 FUEL TANK

Page
200



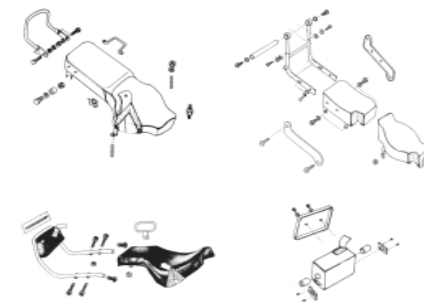
10-20 FUEL TAP & GAUGE UNIT

Page
210



11-10 SEAT ASSEMBLY

Page
212



12-10 TOOL BOX LH

Page 218

This diagram shows the exploded view of the left-hand tool box assembly. On the left, there are five model-specific logos: Thunderbird 300, 350, 400, 450, and 500. The main illustration shows the tool box lid, the base, and the mounting hardware, including bolts and brackets.

12-20 TOOL BOX RH

Page 222

This diagram shows the exploded view of the right-hand tool box assembly. On the left, there are five model-specific logos: Thunderbird 300, 350, 400, 450, and 500. The main illustration shows the tool box lid, the base, and the mounting hardware, including bolts and brackets.

12-30 SIDE DECOR

Page 226

This diagram shows the exploded view of side decor components. It includes three vertical trim pieces, a horizontal mounting bar, and several brackets and fasteners used for installation.

13-10 REAR WHEEL & HUB

Page 228

This diagram shows the exploded view of the rear wheel and hub assembly. It includes the wheel rim, hub, axle, and various bearings and seals.

13-20 REAR BRAKE SYSTEM

Page 232

This diagram shows the exploded view of the rear brake system. It includes the brake drum, brake shoes, brake pads, and the brake assembly hardware.

13-30 BRAKE PEDAL & FOOT RESTS

Page 236

This diagram shows the exploded view of the brake pedal and foot rests. It includes the brake pedal, foot rests, and the associated linkage and mounting hardware.

13-40 REAR CHAIN & FOOT RESTS

Page 240

This diagram shows the exploded view of the rear chain and foot rests. It includes the chain, foot rests, and the hardware for mounting them to the frame.

13-50 REAR MUDGUARD

Page 244

This diagram shows the exploded view of the rear mudguard. It includes the mudguard panels, mounting brackets, and fasteners.

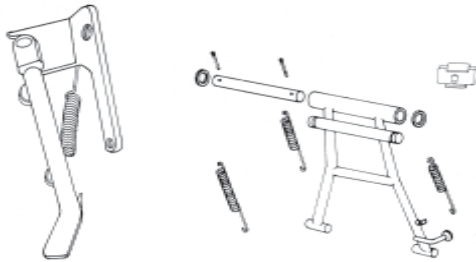
14-10 CHAIN STAY & SHOCK ASSY

Page 250

This diagram shows the exploded view of the chain stay and shock assembly. It includes the chain stay, shock absorbers, and the associated mounting hardware.

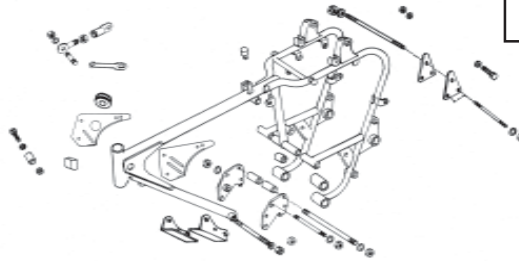
14-20 CENTRE STAND & SIDE STAND

Page
252



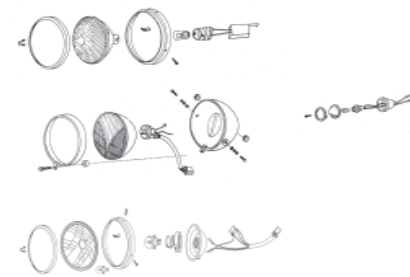
15-10 FRAME ASSEMBLY

Page
254



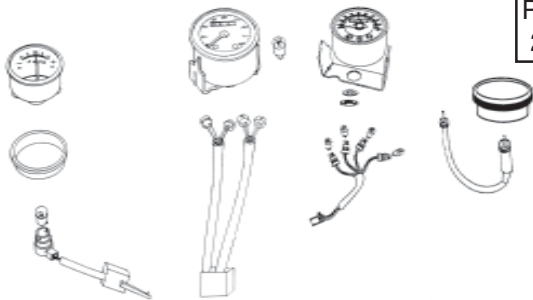
16-10 HEAD LAMP

Page
260



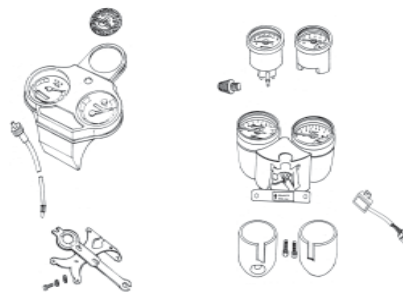
16-20 AMMETER & SPEEDOMETER

Page
264



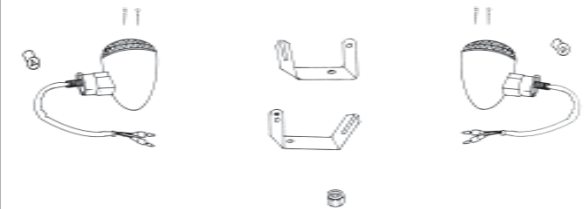
16-30 INSTRUMENT CLUSTER

Page
266



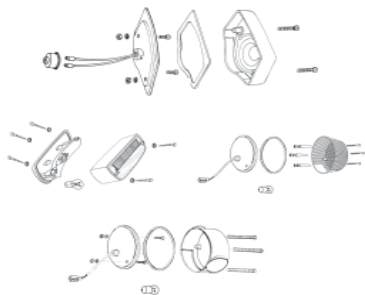
16-40 TRAFFICATOR LIGHTS

Page
268



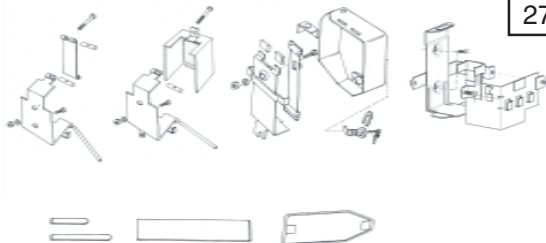
16-50 TAIL LAMP

Page
270



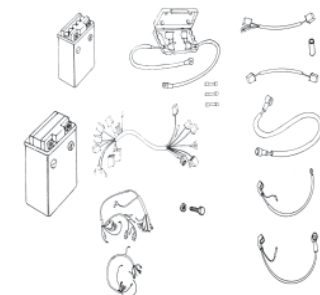
17-10 BATTERY CARRIER

Page
274

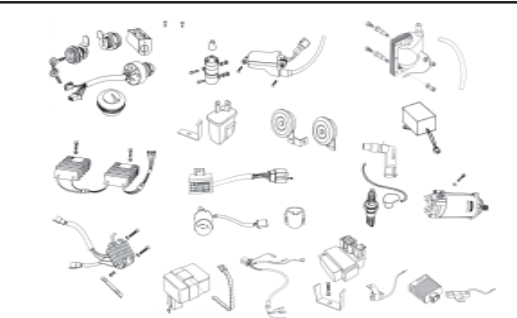


17-20 BATTERY AND HARNESS

Page
278

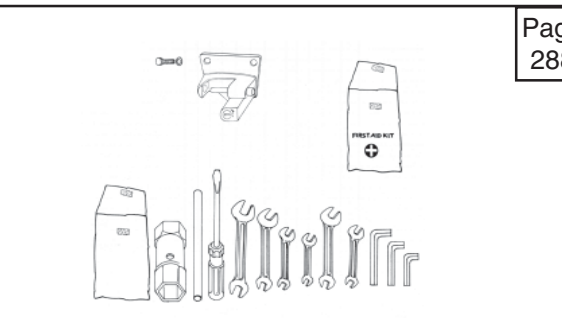


17-30 SWITCHES & FITMENTS



Page 282

18-10 TOOL KIT



Page 288

19-10 SPECIAL TOOLS



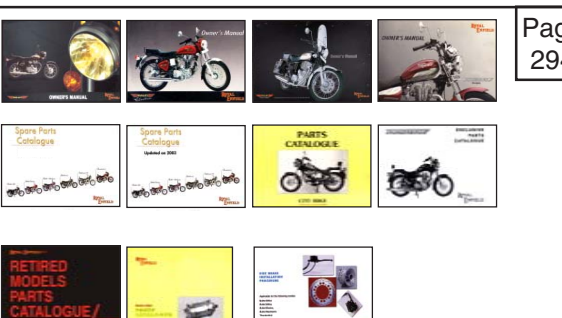
Page 290

19-10 SPECIAL TOOLS



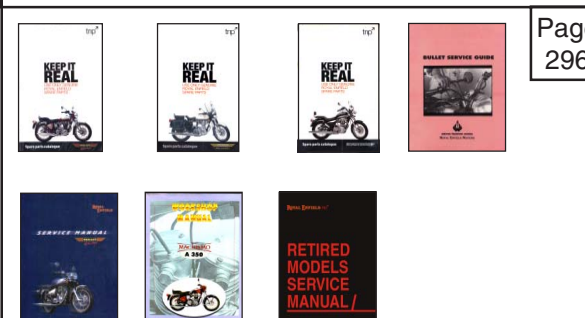
Page 292

20-10 ALL MODELS SERVICE PUBLICATION LIST



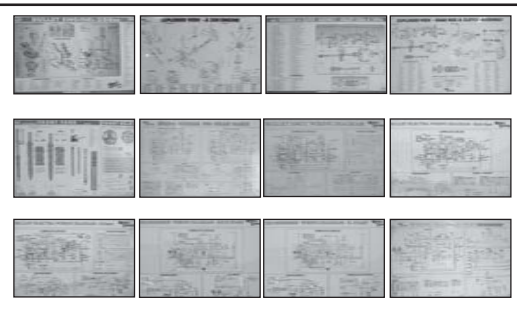
Page 294

20-10 ALL MODELS SERVICE PUBLICATION LIST



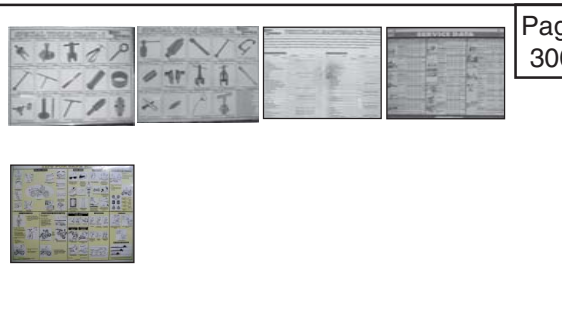
Page 296

20-10 ALL MODELS SERVICE PUBLICATION LIST



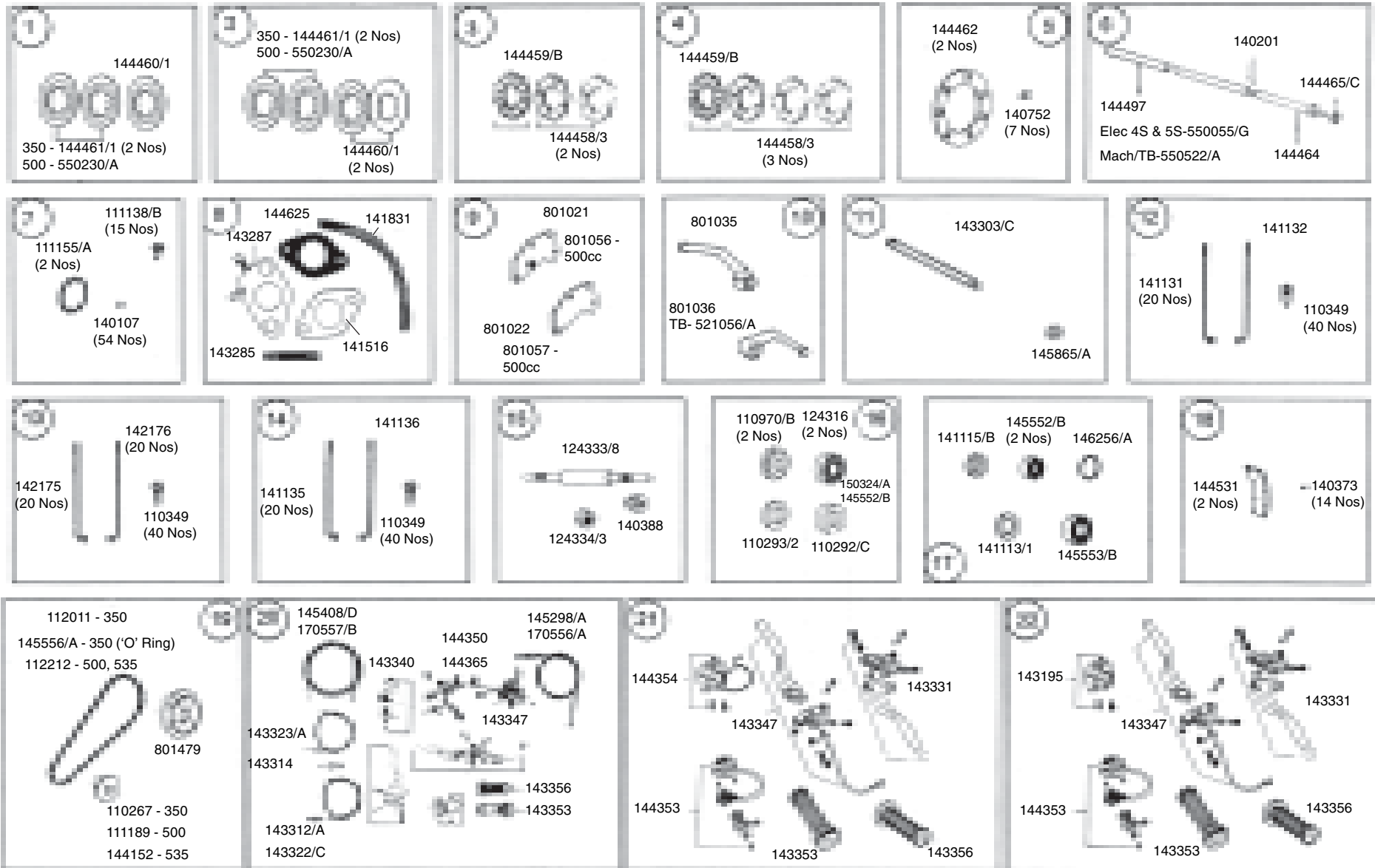
Page 298

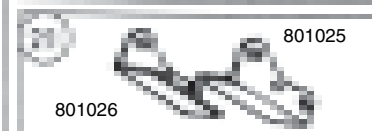
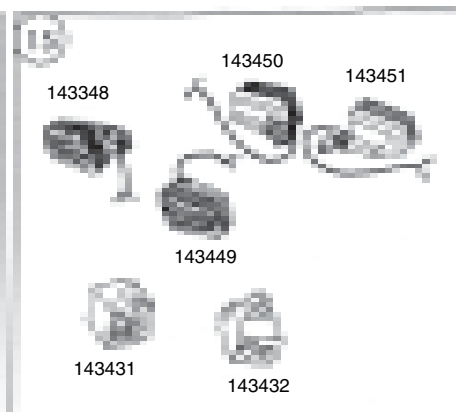
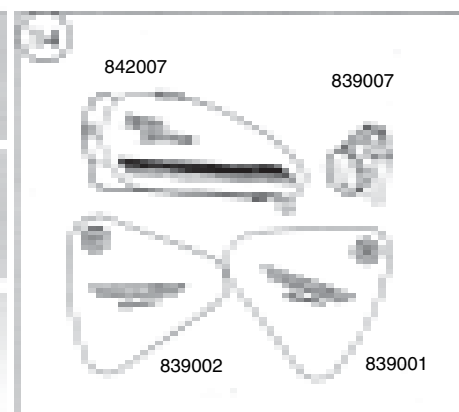
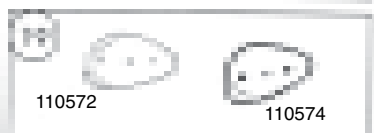
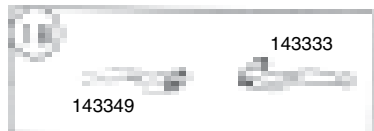
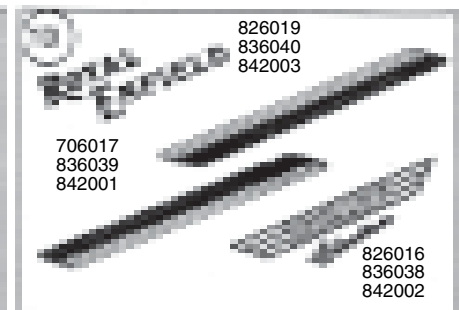
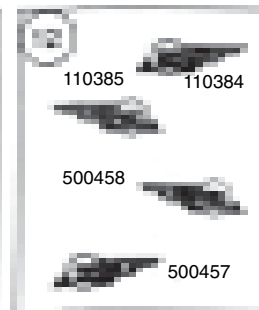
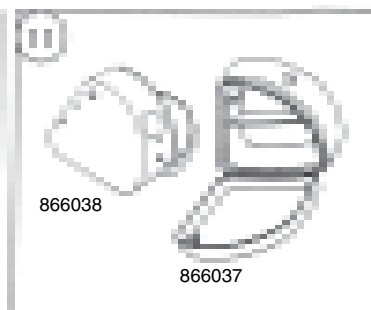
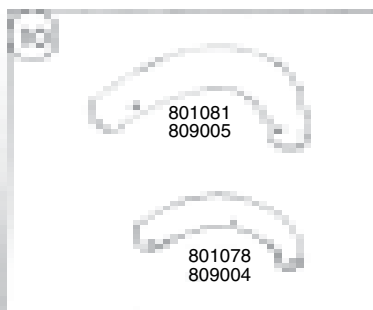
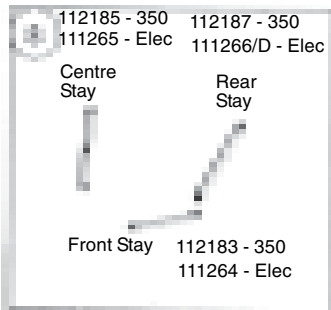
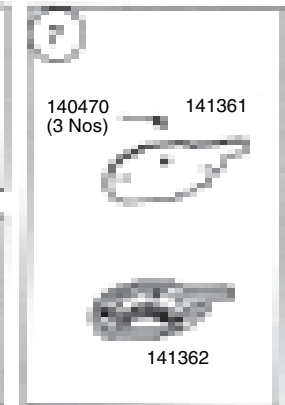
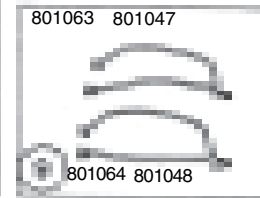
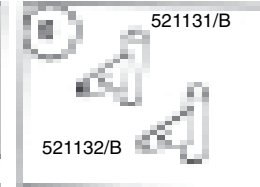
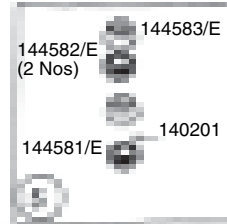
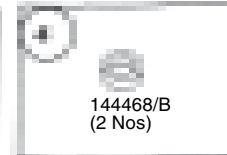
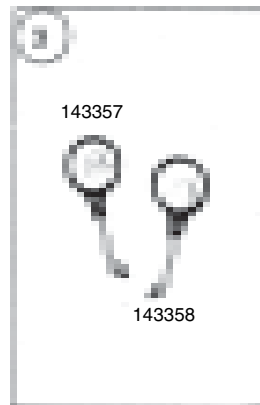
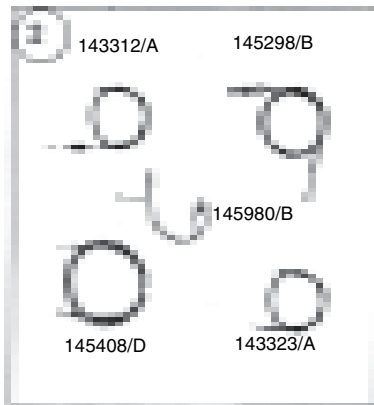
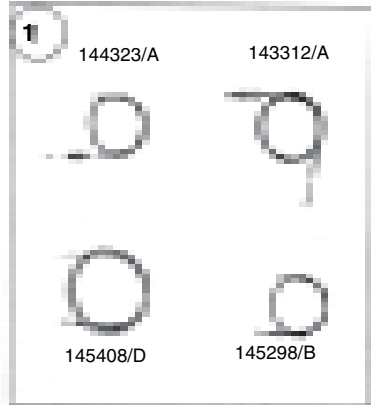
20-10 ALL MODELS SERVICE PUBLICATION LIST



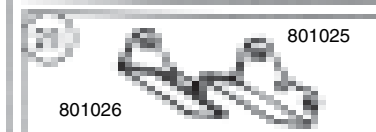
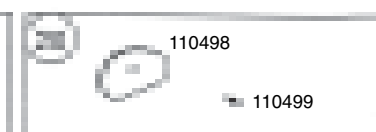
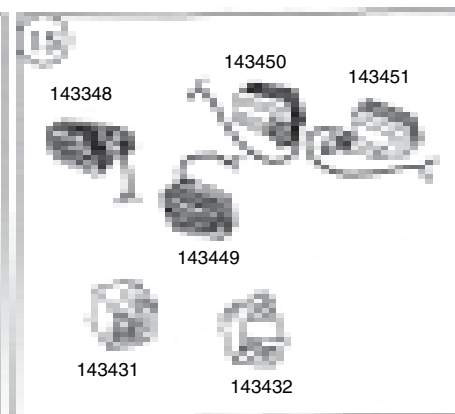
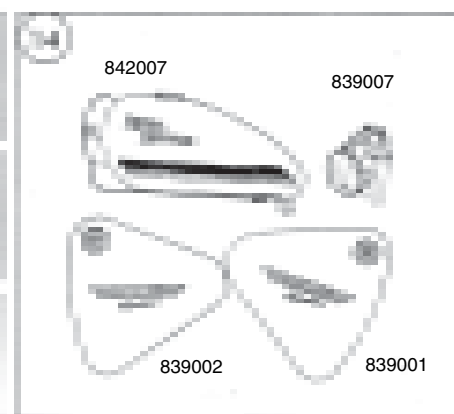
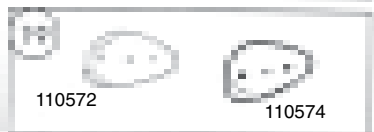
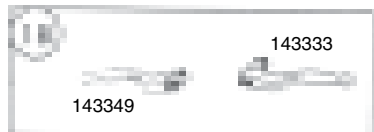
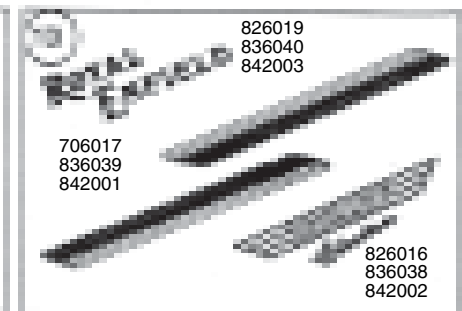
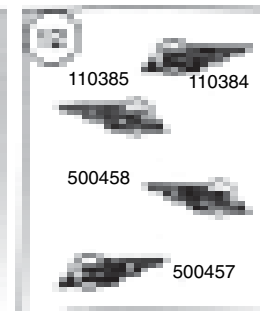
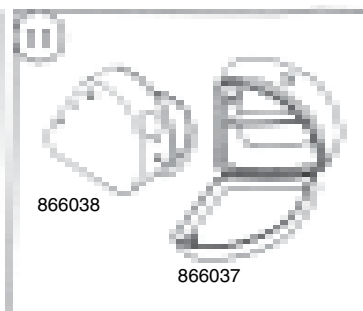
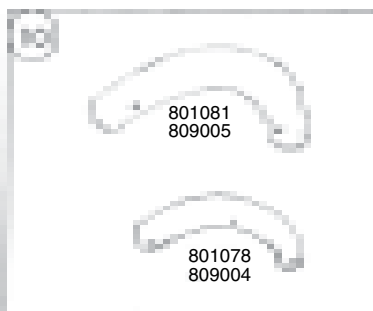
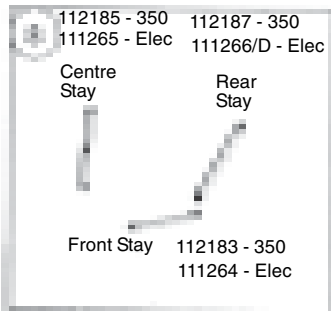
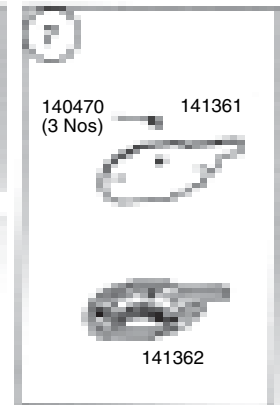
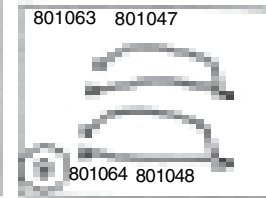
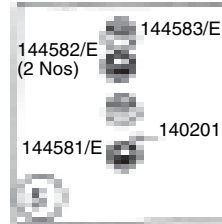
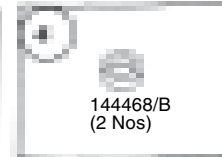
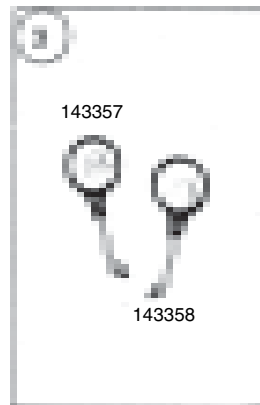
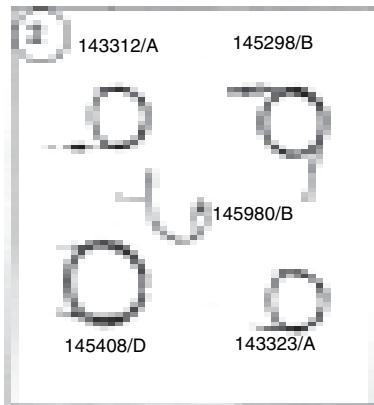
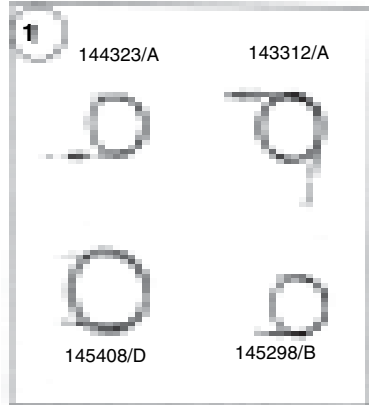
Page 300

01-10 GENERAL KITS I





01-15 GENERAL KITS II



01-20 ENGINE KITS

350 500,535

Mach 350-147236/A
Mach500-510241/A
TB-500241

170442
510241/A
805002
805004

805001

A350 / A500 TB

500202/1
510202/B
510113/H
510115/F

350, 500

140041/14 (350, 500)
144131 (535)
140042/C (350, 500)
144138 (535)

140043/A (350, 500)
144130 (535)
140044/A (350, 500)
144132 (535)

350, 500

500612/A (2 Nos)
500606/3
500605/1
500602
500601/A
500635/A (2 Nos)

350, 500

146683/A
140084
144441
140089
140088

A350

500313/D
500166/A (2 Nos)
500314/D

500,535

142619/A
142620/A
144526/A
144528/A

350

A350

500426/E
500427/E
140160
140160
500408/B
500408/B

A350

500428/E
500429/E
140114/C
140113/C

350,500,535

350, 500

140114/C
140113/C
141816

350, 500

140114/C
140113/C
141815
141816

A350

140027/3
144846/A (2 Nos)
144844
500619/A

500,535

142201/A
142202/A
140003/A (2 Nos)
140004/8 (2 Nos)

350

350

500300 (2 Nos)

350

145984/A
144499/2
500324/A
500325/A

500

350, 500

140061 (2 Nos)
144449/4
144448/3
144836/E (2 Nos)

350, 500

140062/B (2 Nos)
500404/D
500402/F
140061/C (2 Nos)

A350

350
500
535

A350

110050
110037/3 (2 Nos)
111865/3 (2 Nos)
111887
142497

350, 500

144618
350
144643
500
144047

(500, 535)
11009 (350)
112471
144625
144622 (350)
144619
144844
142617 (500, 535)
142628 (500, 535)
144621
140027
140593
144616 (4 Nos)
144633
140027
140771 (10 Nos)

144633
140027
144846 (2 Nos)
144844 (2 Nos)
140098
140097
140297 (2 Nos)

350, 500

500507
144042
500414
500502
140297
500119
500625 (4 Nos)
50043
500318 (2 Nos)
500326 (2 Nos)
140062 (2 Nos)
500619 (3 Nos)
500621 (2 Nos)

144624
111888
144621
142497

350,500

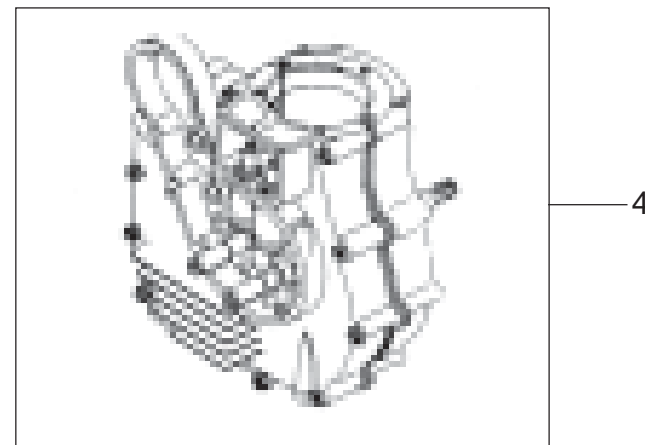
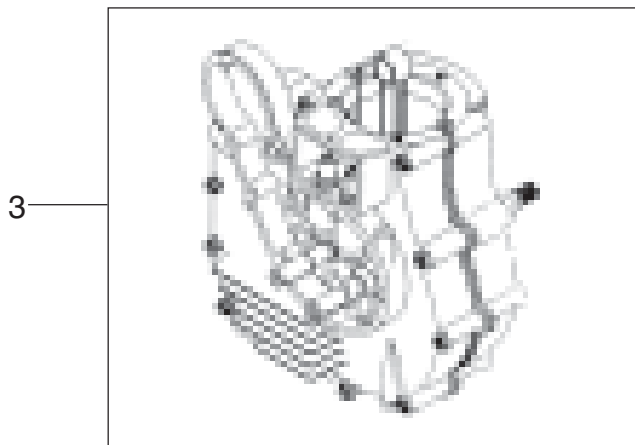
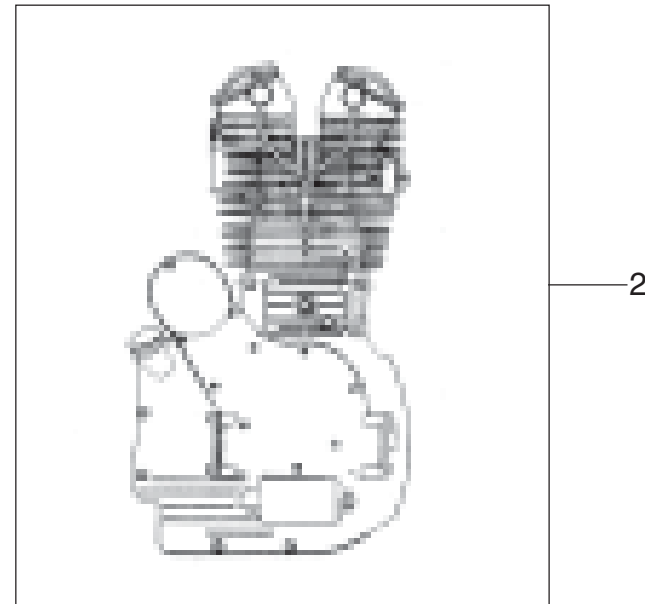
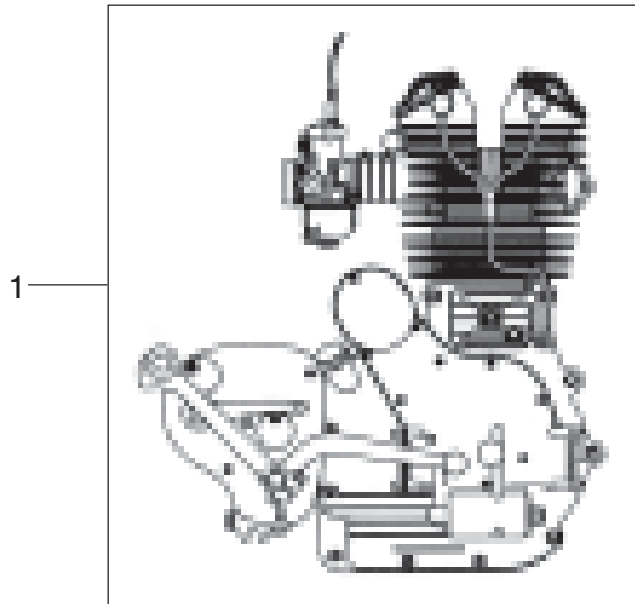
111887
142497

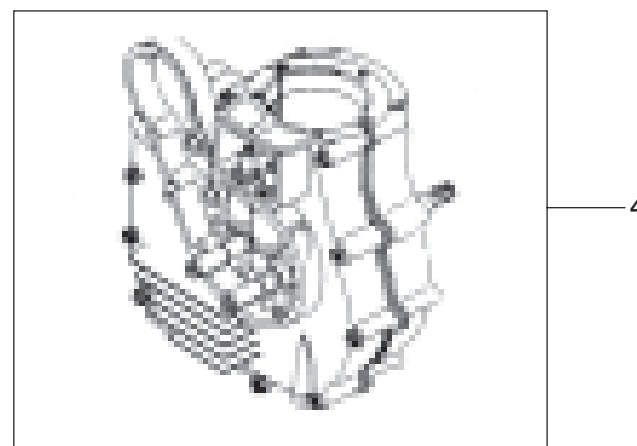
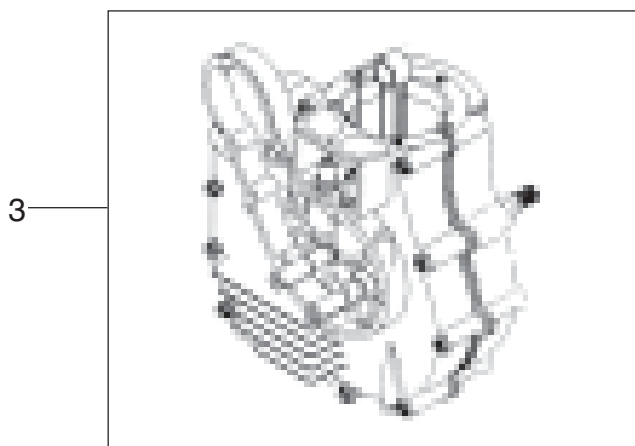
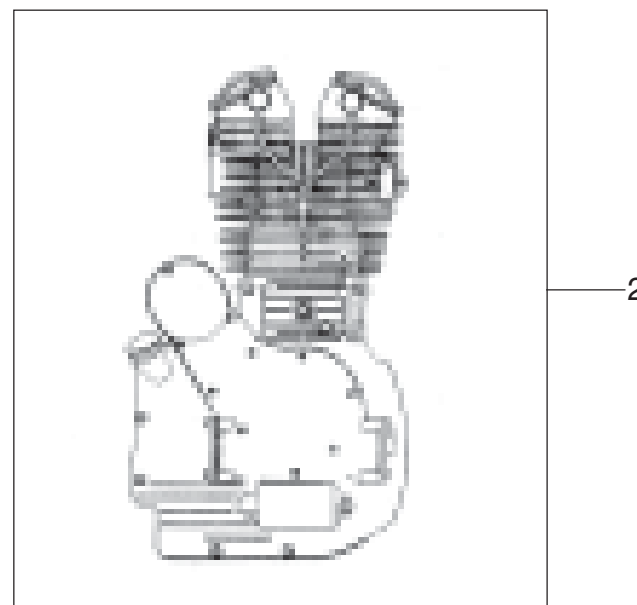
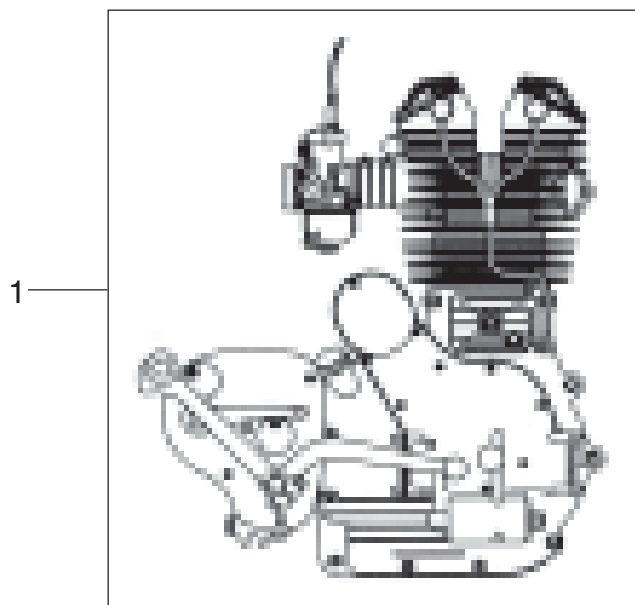
350,500

140568/3
140567/5

01-20 ENGINE KITS

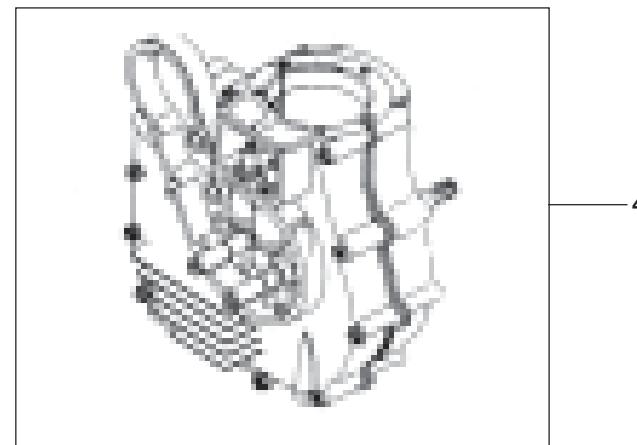
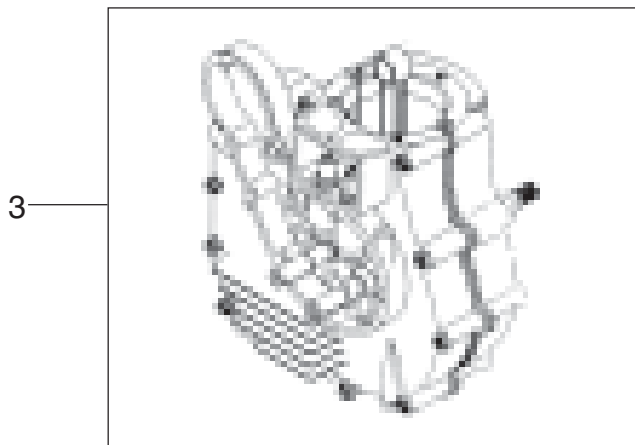
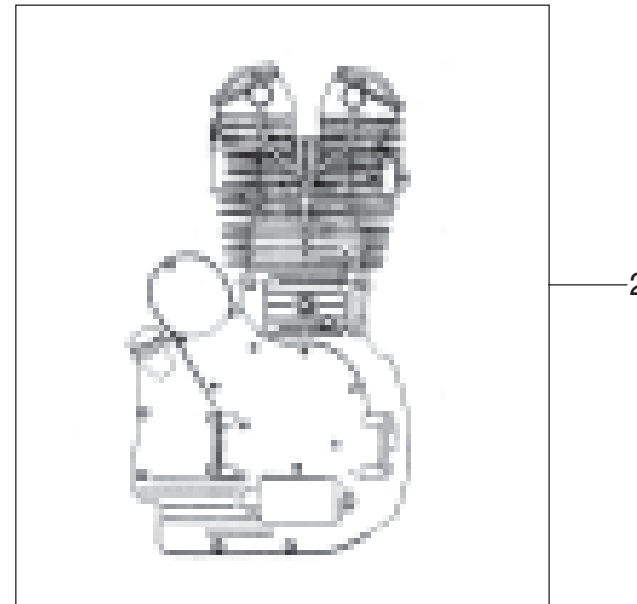
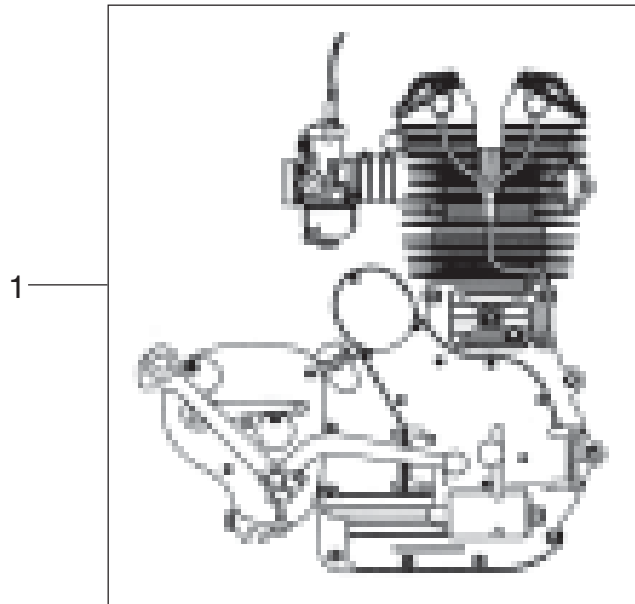
<p>350 500,535</p> <p>Mach 350-147236/A Mach500-510241/A TB-500241</p> <p>170442 510241/A</p> <p>805002 805004</p> <p>805001</p>	<p>A350 / A500 TB</p> <p>500202/1 510202/B 510113/H 510115/F</p>	<p>350, 500</p> <p>140041/14 (350, 500) 144131 (535)</p> <p>140042/C (350, 500) 144138 (535)</p> <p>140043/A (350, 500) 144130 (535)</p> <p>140044/A (350, 500) 144132 (535)</p>	<p>350, 500</p> <p>500612/A (2 Nos) 500606/3 500605/1 500602 500601/A 500635/A (2 Nos)</p>	<p>350, 500</p> <p>146683/A 140084 144441 140089 140088</p>	<p>A350</p> <p>500313/D 500166/A (2 Nos) 500314/D</p>								
<p>500,535</p> <p>142619/A 144526/A 144528/A</p> <p>142620/A</p> <p>350</p>	<p>A350</p> <p>500426/E 140160 500408/B</p> <p>500427/E 140160 500408/B</p>	<p>A350</p> <p>500428/E 140114/C 140113/C</p> <p>500429/E</p> <p>350,500,535</p>	<p>350, 500</p> <p>140114/C 141816 140113/C</p>	<p>350, 500</p> <p>140114/C 140113/C 141815 141816</p>	<p>A350</p> <p>140027/3 144846/A (2 Nos) 144844 500619/A</p>								
<p>500,535</p> <p>142201/A 140003/A (2 Nos) 140004/8 (2 Nos)</p> <p>142202/A</p> <p>350</p>	<p>350</p> <p>500300 (2 Nos)</p>	<p>350</p> <p>145984/A 500324/A</p> <p>144499/2 500325/A</p> <p>500</p>	<p>350, 500</p> <p>144449/4 144448/3 144836/E (2 Nos)</p> <p>140061 (2 Nos)</p>	<p>350, 500</p> <p>140062/B (2 Nos) 500404/D 500402/F 140061/C (2 Nos)</p> <p>A350</p> <p>350 500 535</p>	<p>A350</p> <p>110050 110037/3 (2 Nos) 111865/3 (2 Nos) 111887 142497</p>								
<table border="1"> <tr> <td data-bbox="197 1206 392 1465"> <p>144618 350 144643 500</p> </td> <td data-bbox="398 1206 817 1465"> <p>(500, 535) 11009 (350) 112471 144625 144622 (350) 144619 144844 142617 (500, 535) 142628 (500, 535) 144621 140593 144616 (4 Nos) 144633 140027 140297 (2 Nos) 144620 (2 Nos) 140771 (10 Nos)</p> </td> <td data-bbox="824 1206 1019 1465"> <p>144633 140098 140097 140027 144846 (2 Nos) 144844 (2 Nos) 140297 (2 Nos)</p> </td> <td data-bbox="1025 1206 1220 1465"> <p>500507 144042 500414</p> </td> <td data-bbox="1227 1206 1534 1465"> <p>500502 140297 500119 500625 (4 Nos) 50043 500318 (2 Nos) 500326 (2 Nos)</p> </td> <td data-bbox="1541 1206 1736 1465"> <p>144624 111888 144621 500619 (3 Nos) 500621 (2 Nos)</p> </td> <td data-bbox="1742 1206 1892 1465"> <p>350,500</p> <p>111887 142497</p> </td> <td data-bbox="1899 1206 2040 1465"> <p>140568/3 140567/5</p> </td> </tr> </table>						<p>144618 350 144643 500</p>	<p>(500, 535) 11009 (350) 112471 144625 144622 (350) 144619 144844 142617 (500, 535) 142628 (500, 535) 144621 140593 144616 (4 Nos) 144633 140027 140297 (2 Nos) 144620 (2 Nos) 140771 (10 Nos)</p>	<p>144633 140098 140097 140027 144846 (2 Nos) 144844 (2 Nos) 140297 (2 Nos)</p>	<p>500507 144042 500414</p>	<p>500502 140297 500119 500625 (4 Nos) 50043 500318 (2 Nos) 500326 (2 Nos)</p>	<p>144624 111888 144621 500619 (3 Nos) 500621 (2 Nos)</p>	<p>350,500</p> <p>111887 142497</p>	<p>140568/3 140567/5</p>
<p>144618 350 144643 500</p>	<p>(500, 535) 11009 (350) 112471 144625 144622 (350) 144619 144844 142617 (500, 535) 142628 (500, 535) 144621 140593 144616 (4 Nos) 144633 140027 140297 (2 Nos) 144620 (2 Nos) 140771 (10 Nos)</p>	<p>144633 140098 140097 140027 144846 (2 Nos) 144844 (2 Nos) 140297 (2 Nos)</p>	<p>500507 144042 500414</p>	<p>500502 140297 500119 500625 (4 Nos) 50043 500318 (2 Nos) 500326 (2 Nos)</p>	<p>144624 111888 144621 500619 (3 Nos) 500621 (2 Nos)</p>	<p>350,500</p> <p>111887 142497</p>	<p>140568/3 140567/5</p>						





02-10 ENGINE

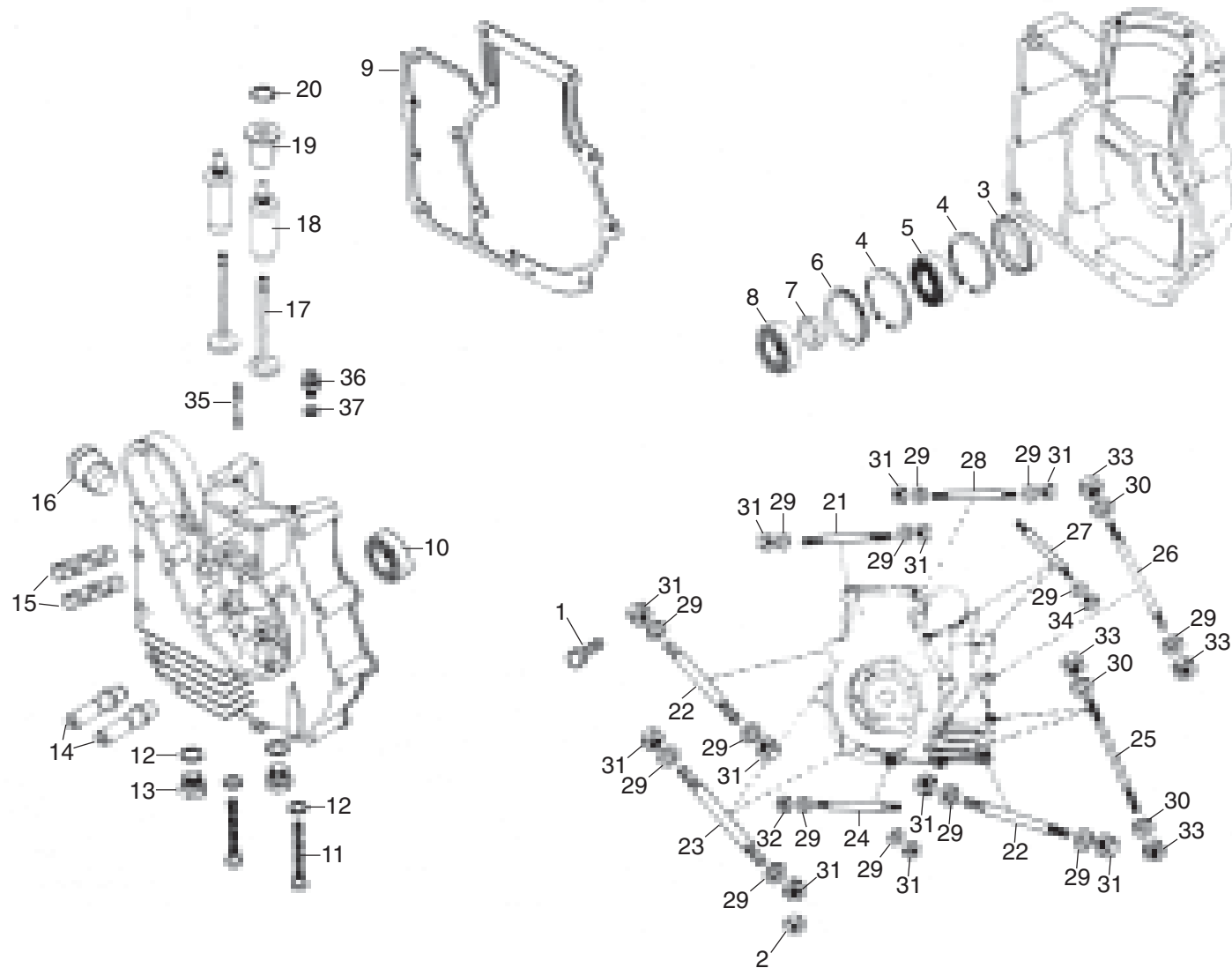
Key No.	Part Numbers		Description	Qty.	350								Lightning			Bu Mach		T Bird		Remarks	MOQ	
	New	Old			Std	Dlx	Mac	Cam	Elec 4S		Elec 5S		BU 500	500	535	535 ES	A350	A500	KS			ES
									KS	ES	KS	ES										
2	500138H		Engine (less Alternator, Dist.and Carb)	1																		
	500139		Engine (less Alternator, Dist.and Carb)	1																		
	510139	510250H	Engine (less Alternator, Dist.and Carb)	1																		
3	111859		Crank case with flywheel assy.(Inches)	1	●	●	●	●											After June 2001			
	145350		Crank case with flywheel assy.(Metric)	1	●	●	●	●														
	111859C		Crank case with flywheel assy	1					●										Before July 2002			
	560627/A		Crank case with flywheel assy	1						●												
	146786/A		Crank case with flywheel assy	1							●											
	560653/A		Crank case with flywheel assy	1								●										
	500141/A	500150	Crank case with flywheel assy (Inches, Old oil circuit)	1												●			After July 2002			
	500169		Crank case with flywheel assy (Metric, New oil circuit)	1												●						
	560668		Crank case with flywheel assy	1												●			LTD			
	560602/A		Crank case with flywheel assy	1													●		LTD			
	142964		Crank case with flywheel assy	1								●	●						LTD			
	142964W		Crank case with flywheel assy	1										●					LTD			
	144560EC		Crank case with flywheel assy	1															LTD			
	560628/A		Crank case with flywheel assy	1															●			
521281		Crank case with flywheel assy	1															●				
4	111858	144428	Crank case without flywheel assy.(Inches)	1	●	●	●	●											LTD			
	145351/B		Crank case without flywheel assy.(Metric)	1	●	●	●	●											After June 2001			
	145140/A		Crank case without flywheel assy	1					●													
	560202/B		Crank case without flywheel assy	1						●												
	146787/B		Crank case without flywheel assy	1							●											
	560654/B		Crank case without flywheel assy	1								●							LTD			
	500142/F		Crank case without flywheel assy.(Inches. Old oil circuit)	1												●			Before July 2002			
	500170/A		Crank case without flywheel assy.(Metric, New oil circuit)	1												●			After July 2002			



02-10 ENGINE

Key No.	Part Numbers		Description	Qty.	350								BU			Lightning			Bu Mach		T Bird		Remarks	MOQ		
	New	Old			Std	Dlx	Mac	Cam	Elec 4S		Elec 5S		500	500	535	535	A350	A500	KS	ES						
								KS	ES	KS	ES				ES											
	560669/A		Crank case without flywheel assy	1																					1	
	560041/C		Crank case without flywheel assy	1																					1	
	144487		Crank case without flywheel assy (Inches)	1									●	●											Before July 2002	1
	144560	144487	Crank case without flywheel assy (Inches)	1											●										Before July 2002	1
4	144946/4		Crank case without flywheel assy (Metric)	1									●	●	●										LTD	1
	144560EC		Crank case without flywheel assy (Inches)	1												●									LTD	1
	560122/A		Crank case without flywheel assy (Metric)	1												●									LTD	1
	560629/A		Crank case without flywheel assy	1																			●		LTD	1
	500155		Crank case without flywheel assy	1																		●				1

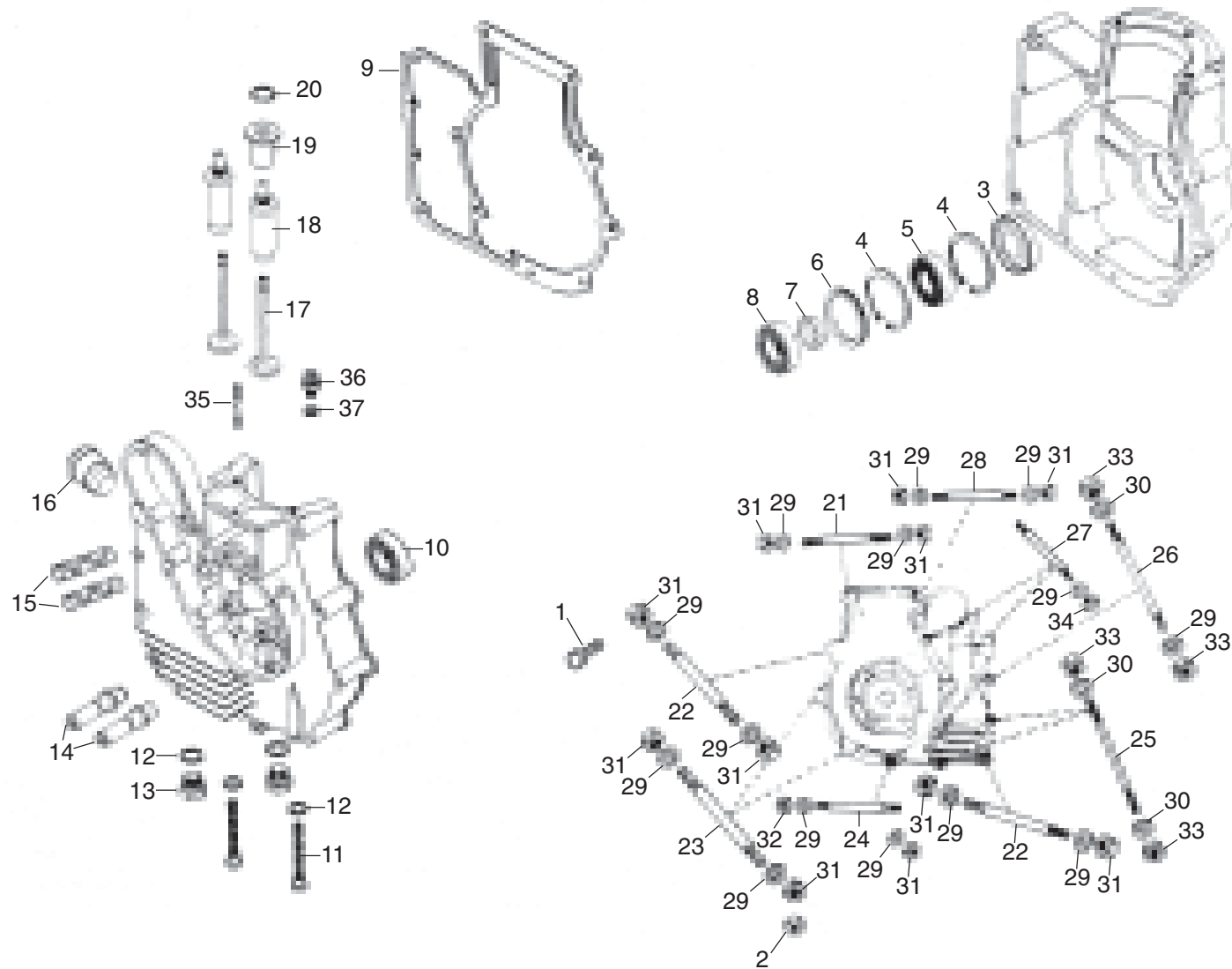
02-15 CRANK CASE RH & LH



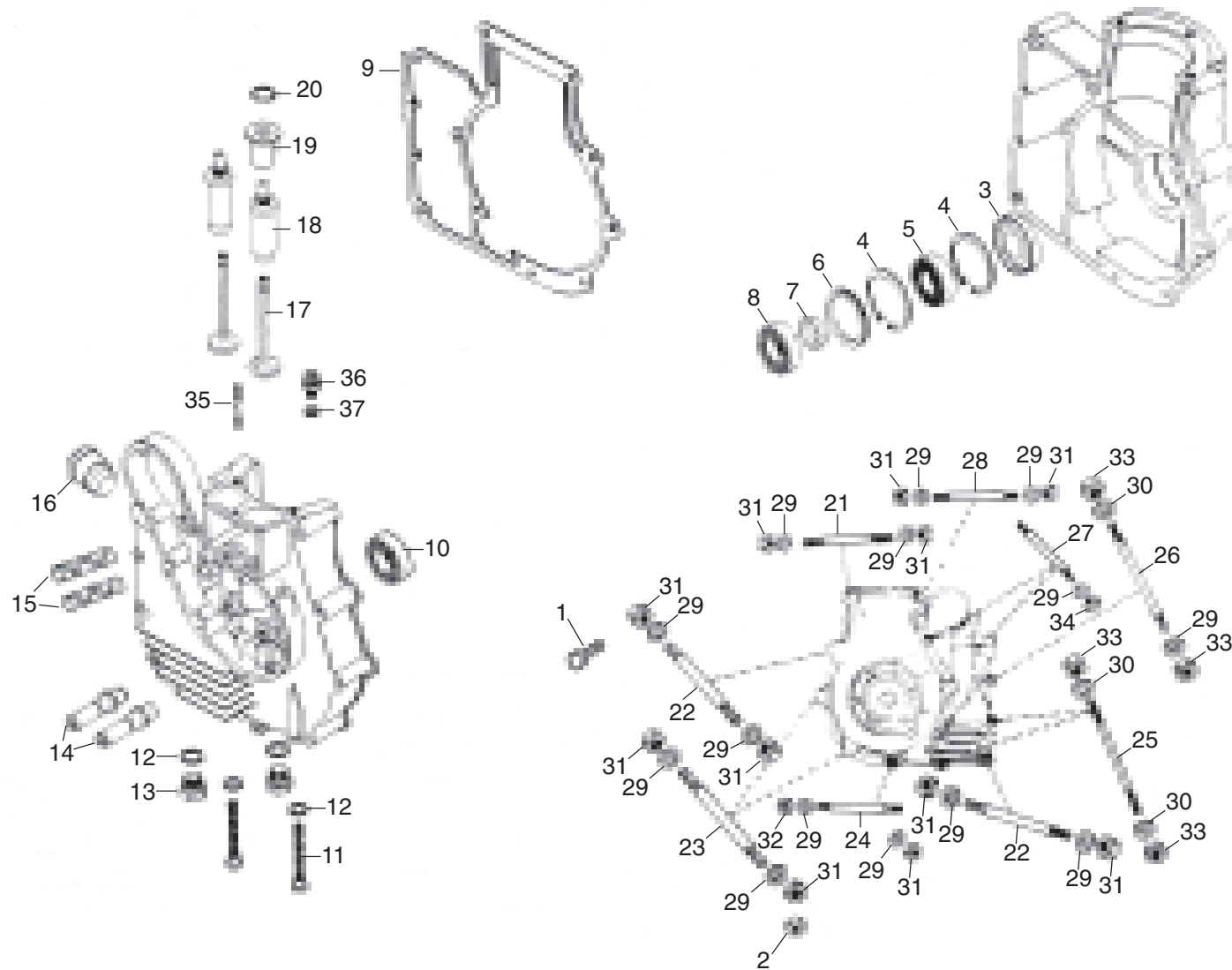
02-15 CRANK CASE RH & LH

Key No.	Part Numbers		Description	Qty.	350								Lightning			Bu Mach		T Bird		Remarks	MOQ	
	New	Old			Std	Dlx	Mac	Cam	Elec 4S		Elec 5S		BU 500	500	535	535 ES	A350	A500	KS			ES
1	560053		Hex bolt M8 x 110	3																Not Serviced	1	
	145772/A		Hex Head bolt M8 x 118	1																●	After Oct 2002	1
2	142182		Nut, Nylock	8																●	Before Oct 2002	30
	142182		Nut, Nylock	4																●	After Oct 2002	30
3	111865/3		Oil seal - Crank case	1	●	●	●	●	●	●	●	●	●	●	●	●	●	●	●			4
4	110037/3		Circlip	2	●	●	●	●	●	●	●	●	●	●	●	●	●	●	●			10
5	110050		Ball Bearing	1	●	●	●	●	●	●	●	●	●	●	●	●	●	●	●			1
6	110052/B		Distance piece, outer	1	●	●	●	●					●	●	●	●			●	●	Not Serviced	2
	146261/A		Distance piece, outer	1	●	●	●	●	●	●	●	●	●	●	●	●	●	●	●			1
7	110054/B		Distance piece, inner	1	●	●	●	●	●	●	●	●	●	●	●							1
	500947/B	500947	Distance piece, inner	1												●	●					1
	110056/B		Distance piece, inner	1														●	●			5
8	111887		Roller Bearing - NU 305	1	●	●	●	●	●	●	●	●	●	●	●	●	●	●	●			1
9	144618/C		Gasket	1	●	●	●	●												LTD		1
	146858/A		Gasket	1					●	●												1
	550242/A		Gasket	1						●	●				●	●	●	●				1
	144643/A		Gasket	1							●	●	●	●								1
	550154/B		Gasket	1																		1
10	142497		Bearing NU 205 R	1	●	●	●	●	●	●	●	●	●	●					●	●		1
	500121		Bearing NU 205 R C4 NA	1										●	●	●	●					1
11	140052		Strainer Assembly (Inches)	2	●	●	●	●	●	●	●	●	●	●	●				●	●	Not Serviced	4
	144944/A		Strainer Assembly (Metric)	2	●	●	●	●	●	●	●	●	●	●	●	●	●	●	●		After Jan 2001	1
12	144846/A	144844/A	Washer	3	●	●	●	●	●	●	●	●	●	●	●	●	●	●	●			14
13	500140		Drain Plug (Inches)	1	●	●	●	●					●	●	●	●			●		Not Serviced	1
	144943/B		Drain Plug (Metric)	1	●	●	●	●	●	●	●	●	●	●	●	●	●	●	●		After Dec 2001	10

02-15 CRANK CASE RH & LH



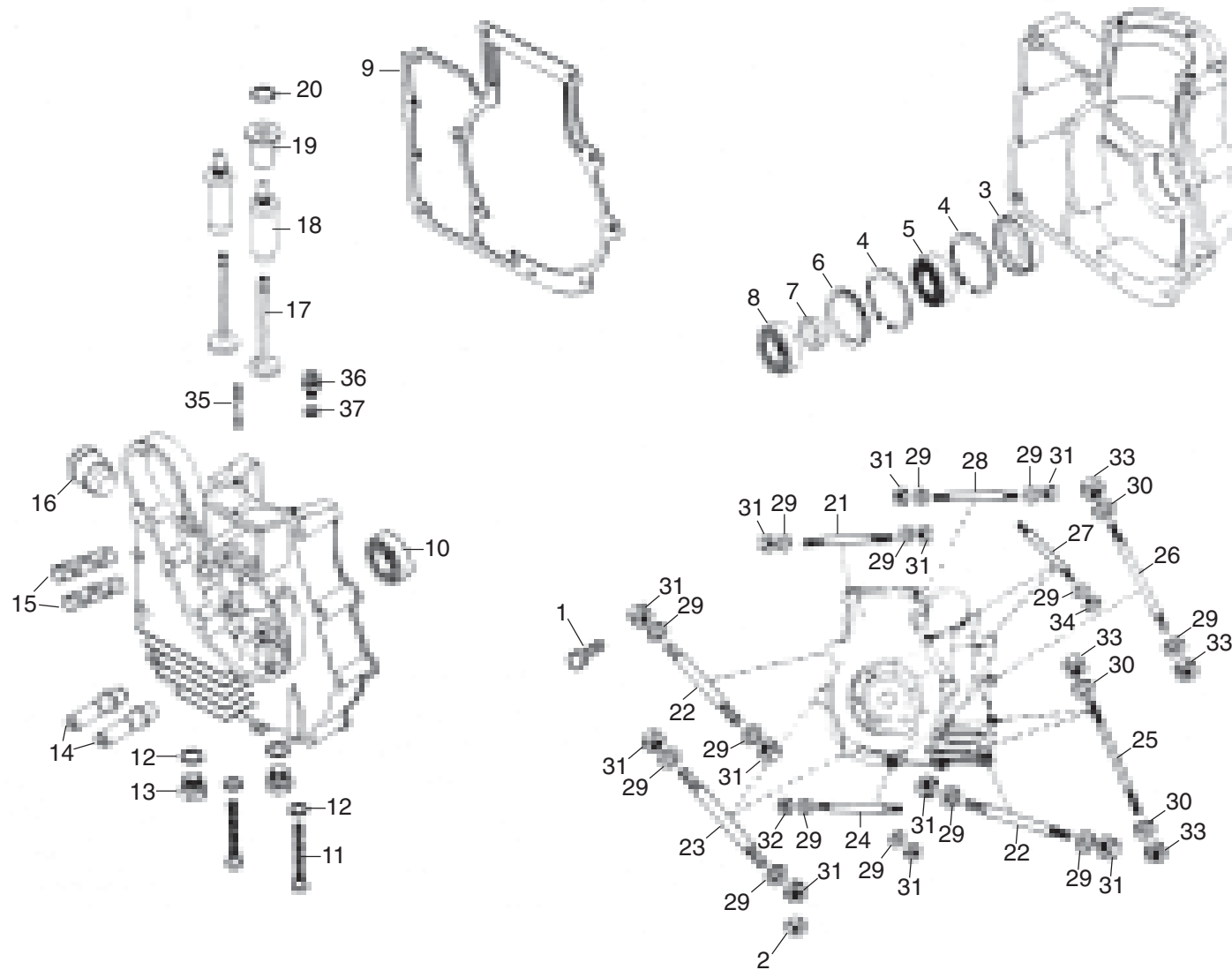
02-15 CRANK CASE RH & LH



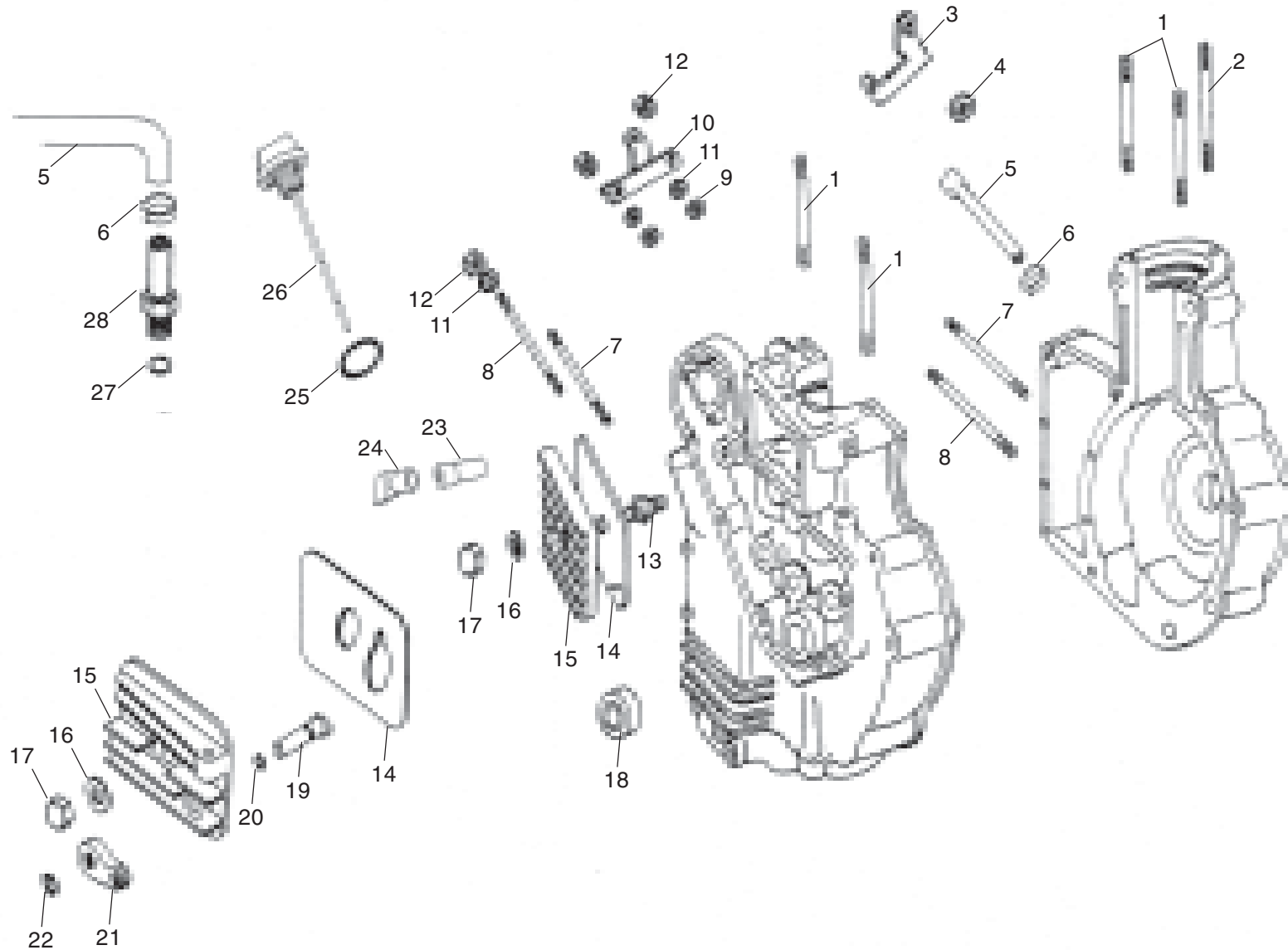
02-15 CRANK CASE RH & LH

Key No.	Part Numbers		Description	Qty.	350								BU 500	Lightning			Bu Mach		T Bird		Remarks	MOQ	
	New	Old			Std	Dlx	Mac	Cam	Elec 4S KS ES		Elec 5S KS ES			500	500	535	535 ES	A350	A500	KS			ES
22	141056/5		Stud	4	●	●	●	●					●	●	●	●					Not Serviced	10	
	145878/A		Flange bolt	2	●	●	●	●	●	●	●	●	●	●	●	●	●	●	●	●			5
23	141055/5		Stud	2															●		Not Serviced	10	
	145771/A		Hex Head bolt M8 x 113	2															●		Not Serviced	10	
	145879/A		Flange bolt	2					●	●	●	●				●	●	●	●			1	
24	111864/B		Stud, Dowel (Small)	1	●	●	●	●	●	●	●	●	●	●	●							1	
	500124/A		Stud, Dowel (Small)	1												●	●	●	●			1	
25	140081		Stud, Crank case joint (Inches)	2	●	●	●	●					●	●	●	●						Not Serviced	10
	145117/A		Stud, Crank case joint (Metric)	2	●	●	●	●	●	●	●	●	●	●	●	●	●	●	●	●	●	After July 2002	5
26	140082		Stud, Crank case joint (Inches)	1	●	●	●	●					●	●	●	●						LTD	10
	145118/A		Stud, Crank case joint (Metric)	1	●	●	●	●	●	●	●	●	●	●	●	●	●	●	●	●	●	After July 2002	5
27	140078		Stud, Crank case joint (Inches)	4	●	●	●	●					●	●	●	●	●					Not Serviced	10
	145116/A		Stud, Crank case joint (Metric)	4	●	●	●	●	●	●	●	●	●	●	●	●	●	●	●	●	●	After July 2002	5
28	111863/C		Stud, Dowel (big)	1	●	●	●	●	●		●		●	●	●	●							1
	560027/A		Stud	1					●		●												1
	500125/B		Stud, Dowel (big)	1												●	●	●	●			5	
29	140080/2		Washer	16	●	●	●	●	●	●	●	●	●	●	●	●	●	●	●	●	●		50
30	140080/2		Washer	3					●	●	●	●											50
	140083		Washer (Inches)	6	●	●	●	●					●	●	●	●	●					Before July 2002	50
	141061		Washer (Metric)	6	●	●	●	●					●	●	●	●	●					After July 2002	50
31	141051		Nut	12	●	●	●	●					●	●	●		●						40
	141051		Nut	4												●							40
	145867/A		Flange nut	5					●	●	●	●							●	●			30
	142182		Lock nut	4					●	●	●	●							●	●			30

02-15 CRANK CASE RH & LH



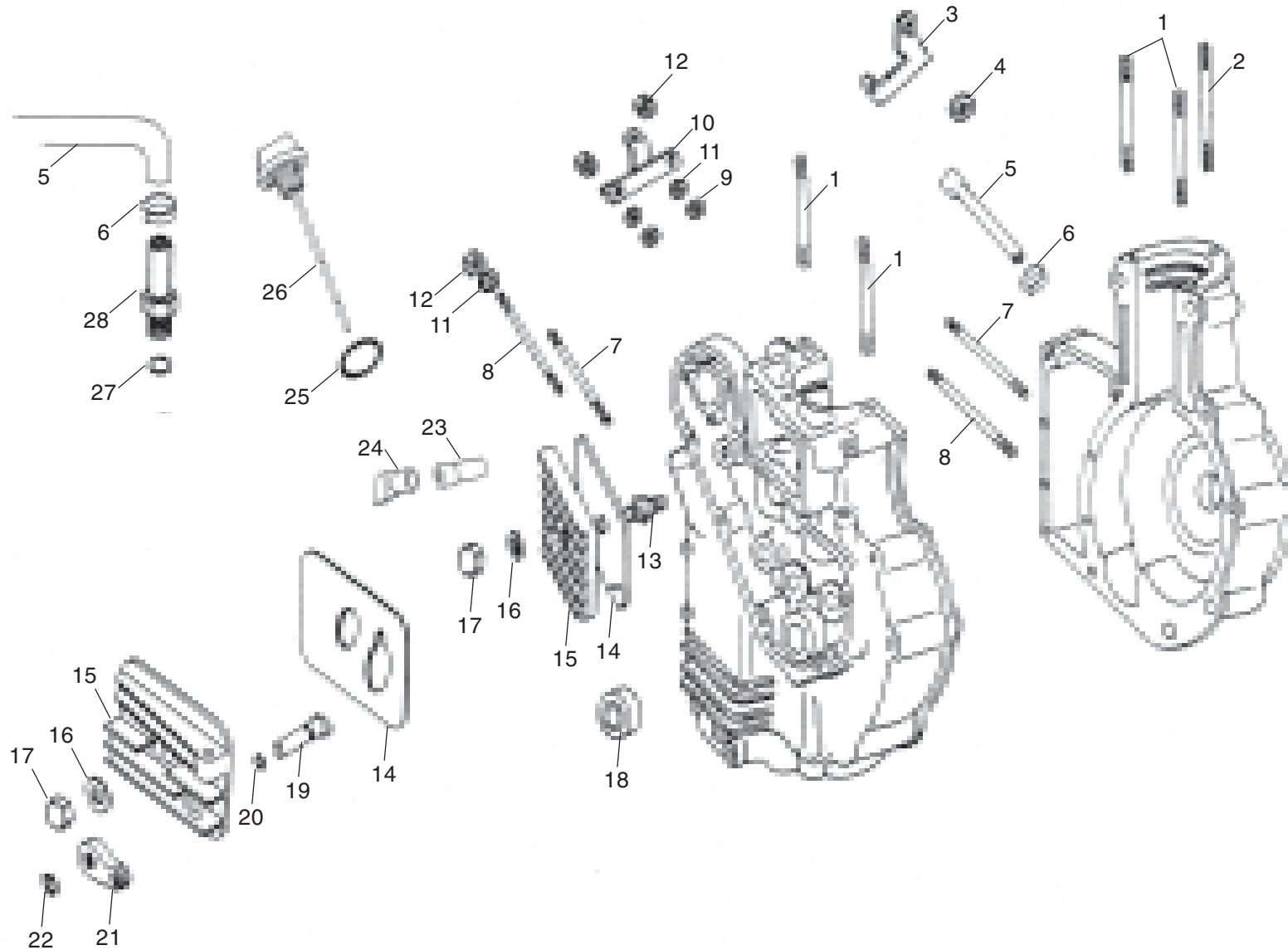
02-20 CRANK CASE FITTING



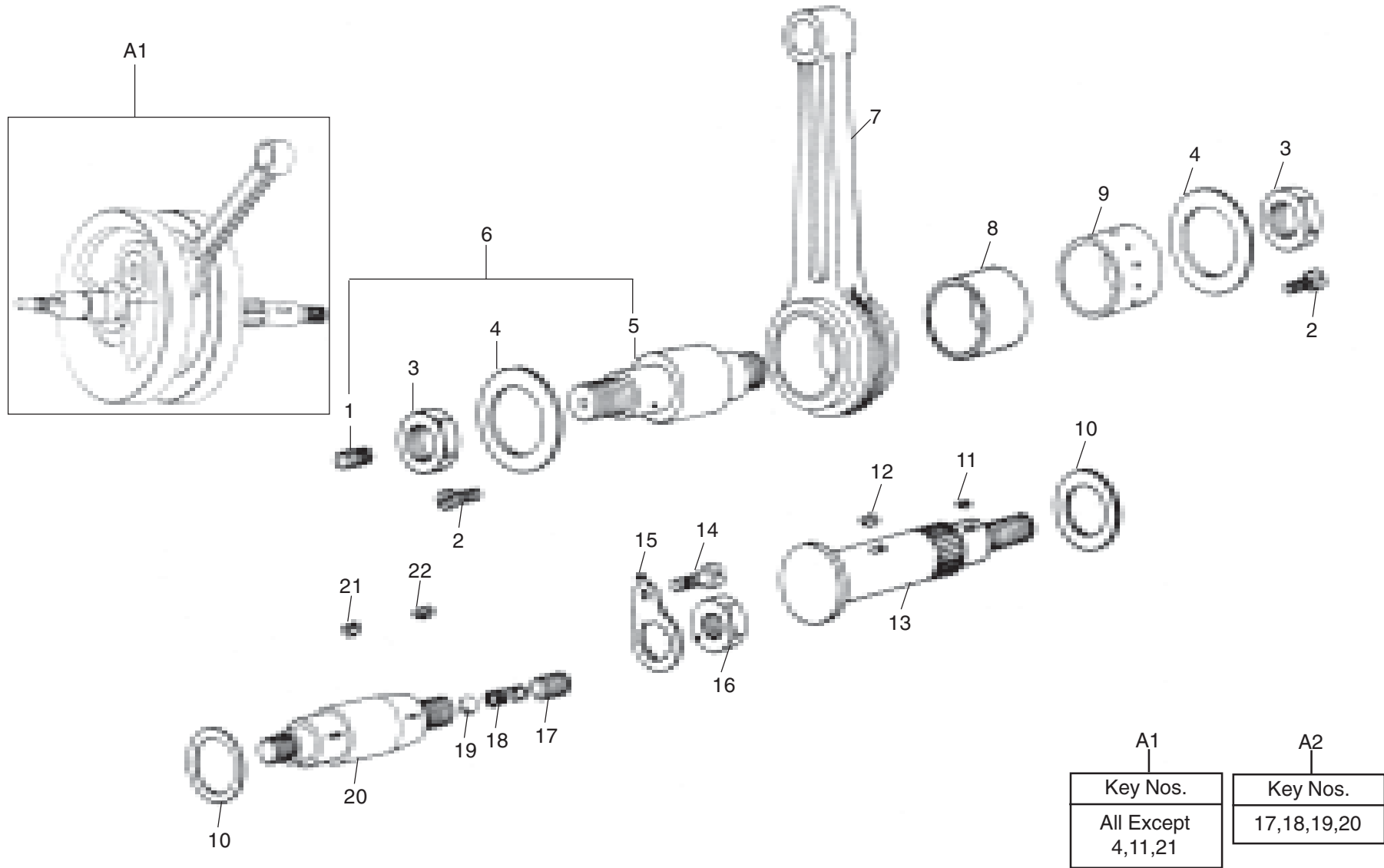
02-20 CRANK CASE FITTING

Key No.	Part Numbers		Description	Qty.	350								BU			Lightning				Bu Mach		T Bird		Remarks	MOQ
	New	Old			Std	Dlx	Mac	Cam	Elec 4S		Elec 5S		500	500	535	535 ES	A350	A500	KS	ES					
									KS	ES	KS	ES													
1	145125		Stud, Cylinder head (Inches)	4	●	●	●	●				●	●	●	●					Before July 2002	1				
	145105/A		Stud, Cylinder head M8 x 146	4	●	●	●	●	●	●	●	●	●	●						After July 2002	4				
	500104/B		Stud, Cylinder head	5											●	●	●	●			2				
2	141788		Stud, Cylinder head (Inches)	1	●	●	●	●				●	●	●	●					LTD	6				
	145108/A		Stud, Cylinder head (Metric)	1	●	●	●	●	●	●	●	●	●	●						After July 2002	6				
3	144012		Clamp, Breather pipe	1	●	●	●	●				●	●	●	●						1				
4	143843		Grommet, Breather pipe	1	●	●	●	●				●	●	●	●						20				
5	140167		Breather pipe	1	●	●	●	●				●	●	●	●					Before Sept 2001	10				
	560156/B	560156/A	Breather pipe (Noises Norms)	1	●	●	●	●	●	●	●	●	●	●						After Sept 2001	1				
	500127		Breather pipe (Old Oil circuit)	1											●					Before July 2002	1				
	500126/A		Breather pipe (Bend) (New Oil circuit)	1											●					After July 2002	1				
	500128/B		Breather pipe (Bend)	1											●	●	●	●			1				
6	140573/A	140573/B	Clip, Breather pipe	1	●	●	●	●	●	●	●	●	●	●	●			●	●		40				
	146927/A		Clip, Breather pipe	1											●	●					1				
7	110202/3		Stud, Gear box fixing top	2	●	●	●	●	●	●	●	●	●	●	●	●					8				
	110202		Stud, Gear box fixing top	4														●	●		8				
8	140291		Stud, Gear box fixing bottom	2	●	●	●	●	●	●		●	●	●	●						5				
9	140027	140027/3	Washer, Fiber	2	●	●	●	●	●	●	●	●	●	●	●				●		40				
10	801027		Bracket, Rear mudguard	1	●	●	●	●	●	●	●	●	●	●	●						1				
11	140293	140293/1	Washer, Plain	4	●	●	●	●	●	●	●	●	●	●	●				●		50				
12	140302/3		Nut	4	●	●	●	●	●	●	●	●	●	●	●				●		20				
13	144391		Stud, Tappet Cover (Metric)	1	●	●	●	●				●	●	●	●				●	After July 2002	5				
	145119/B	145119/A	Stud, Tappet Cover M8	1					●	●	●				●	●					5				
14	146845/B		Gasket, Tappet cover	1	●	●	●	●	●	●	●										5				
	500333/B	500333/A	Gasket, Tappet cover	1											●			●	●		5				
	510253/B		Gasket, Tappet cover	1												●					1				

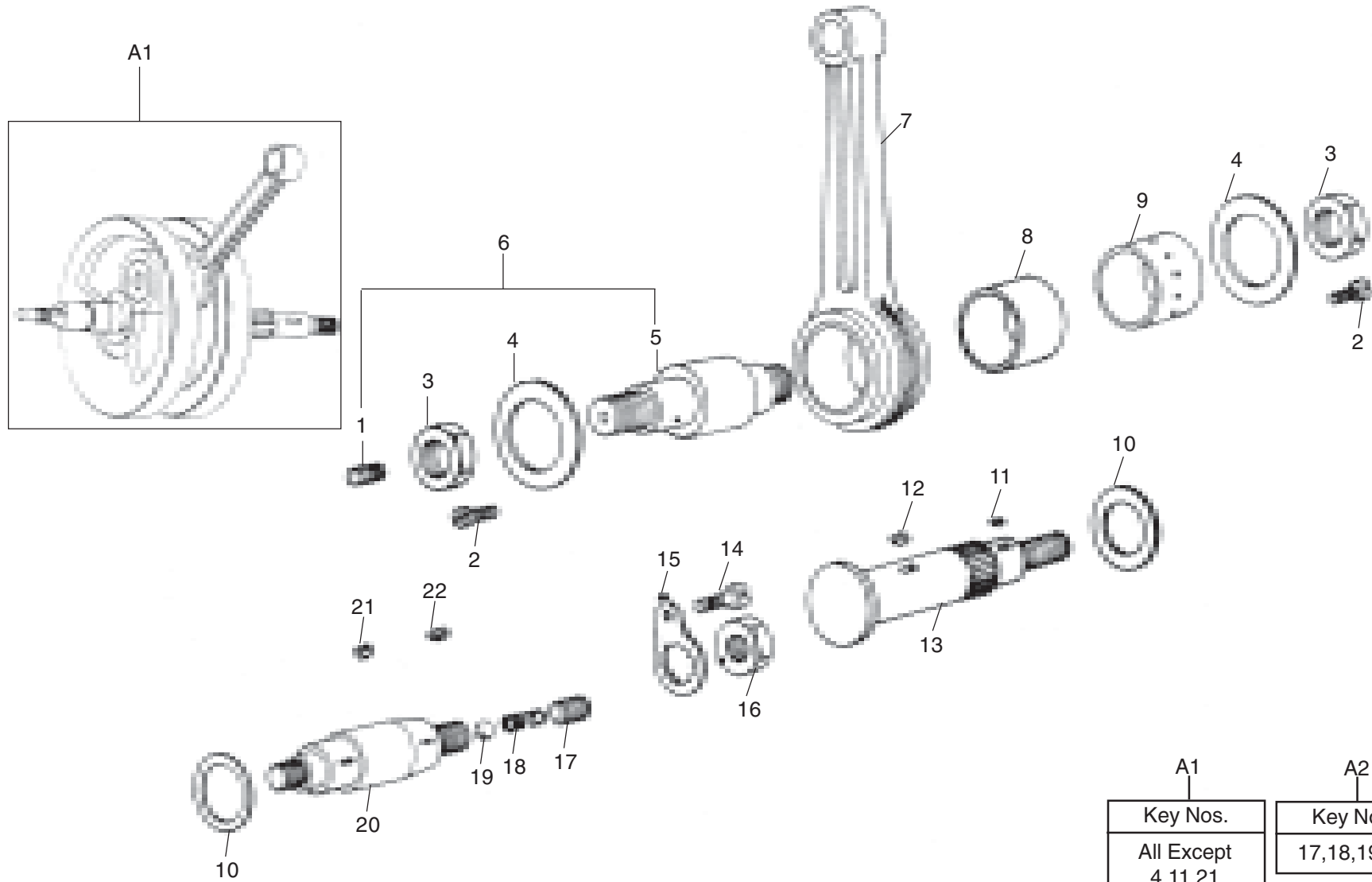
02-20 CRANK CASE FITTING



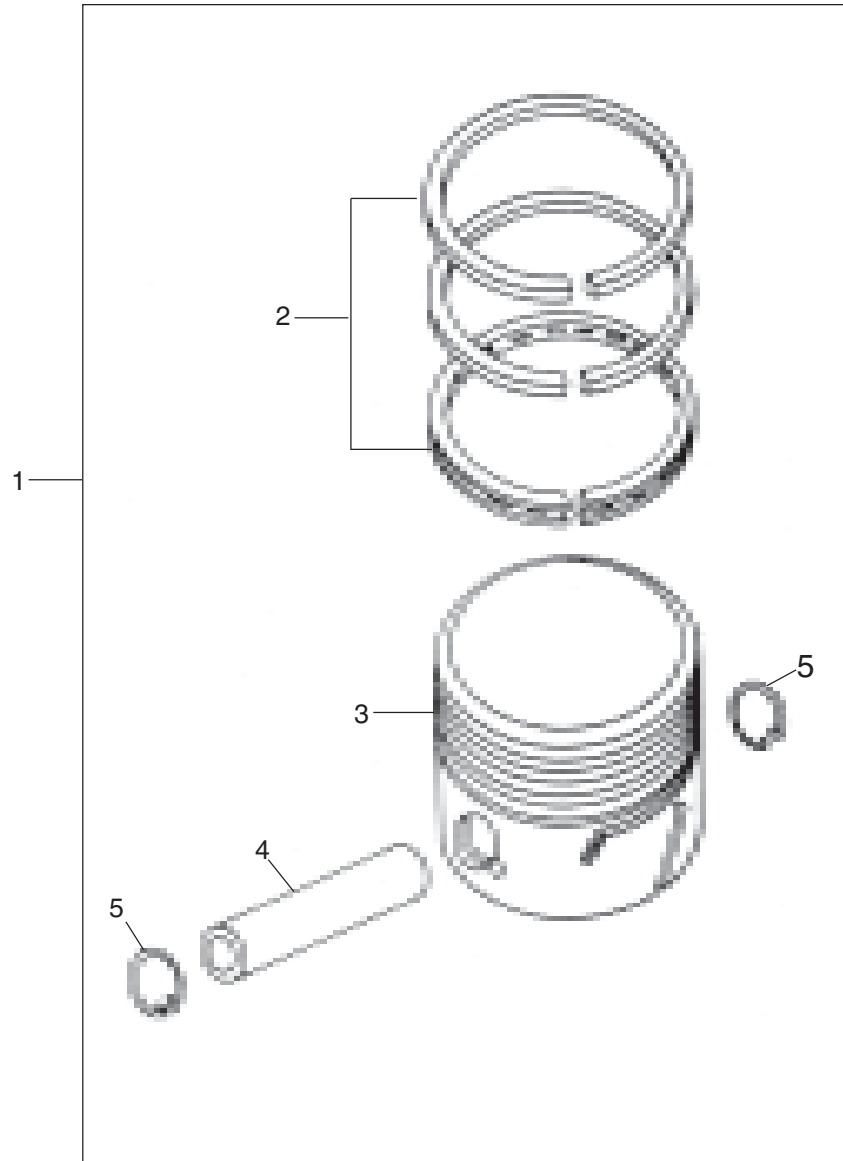
02-25 CRANK SHAFT



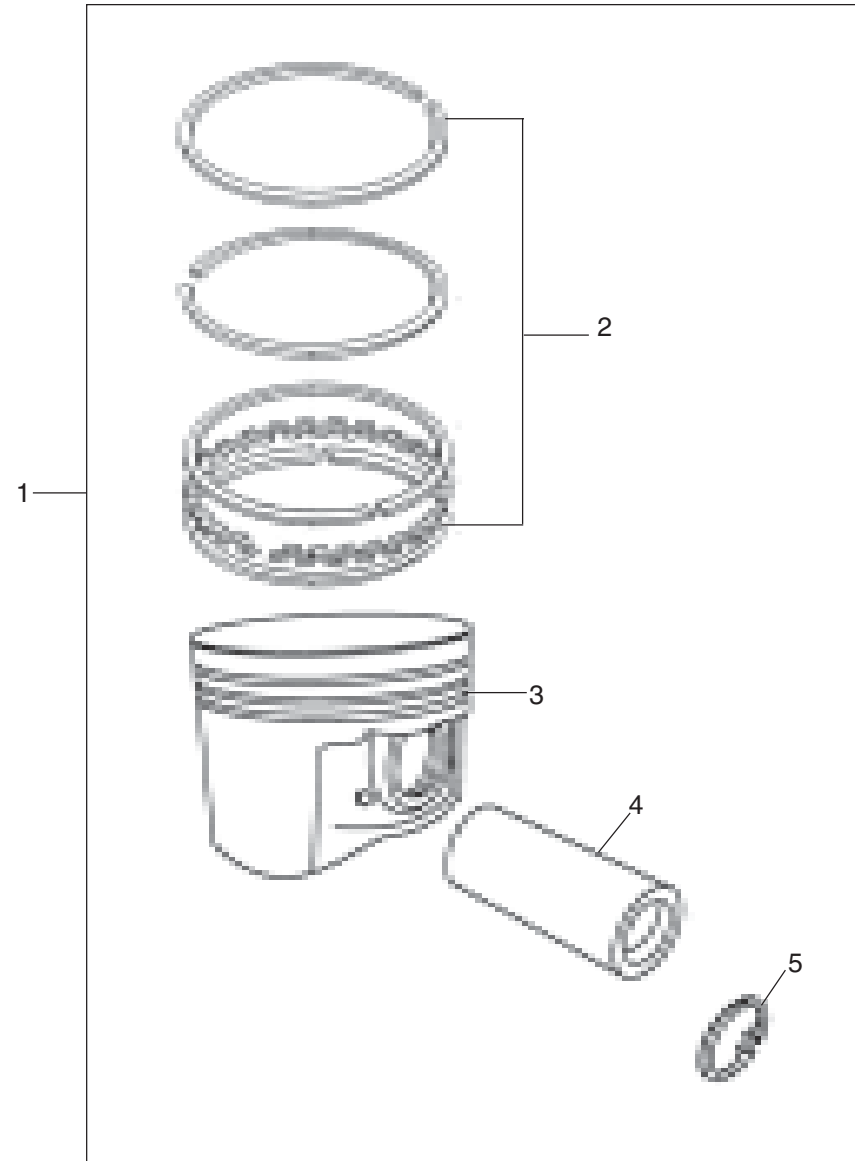
02-25 CRANK SHAFT



OLD TYPE



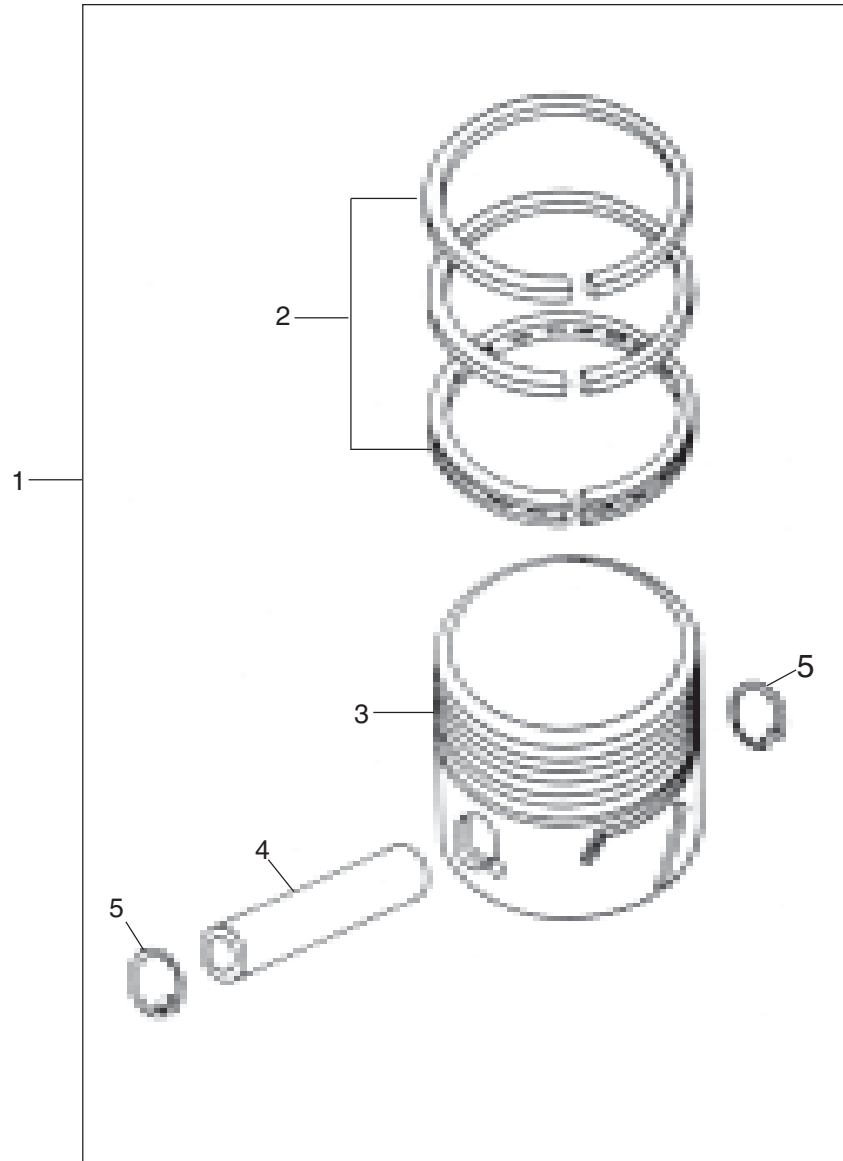
NEW TYPE



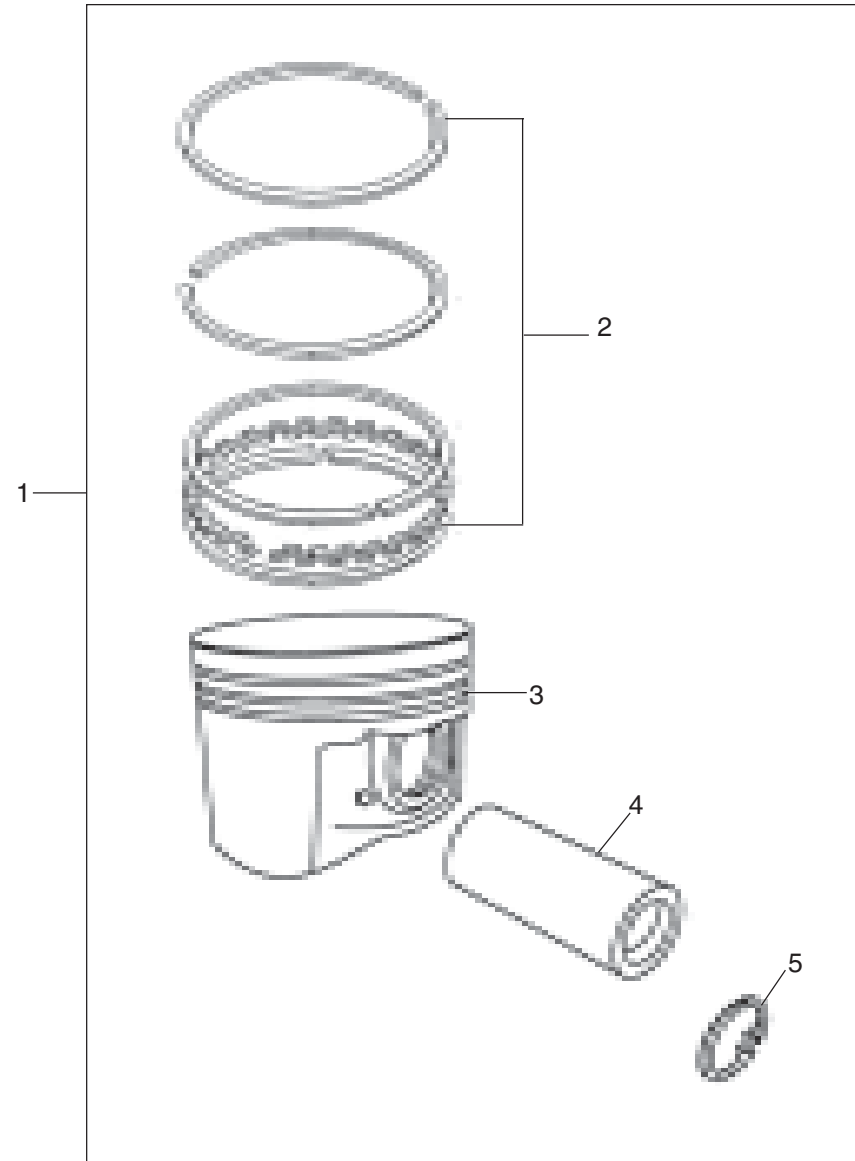
02-30 PISTON AND RINGS

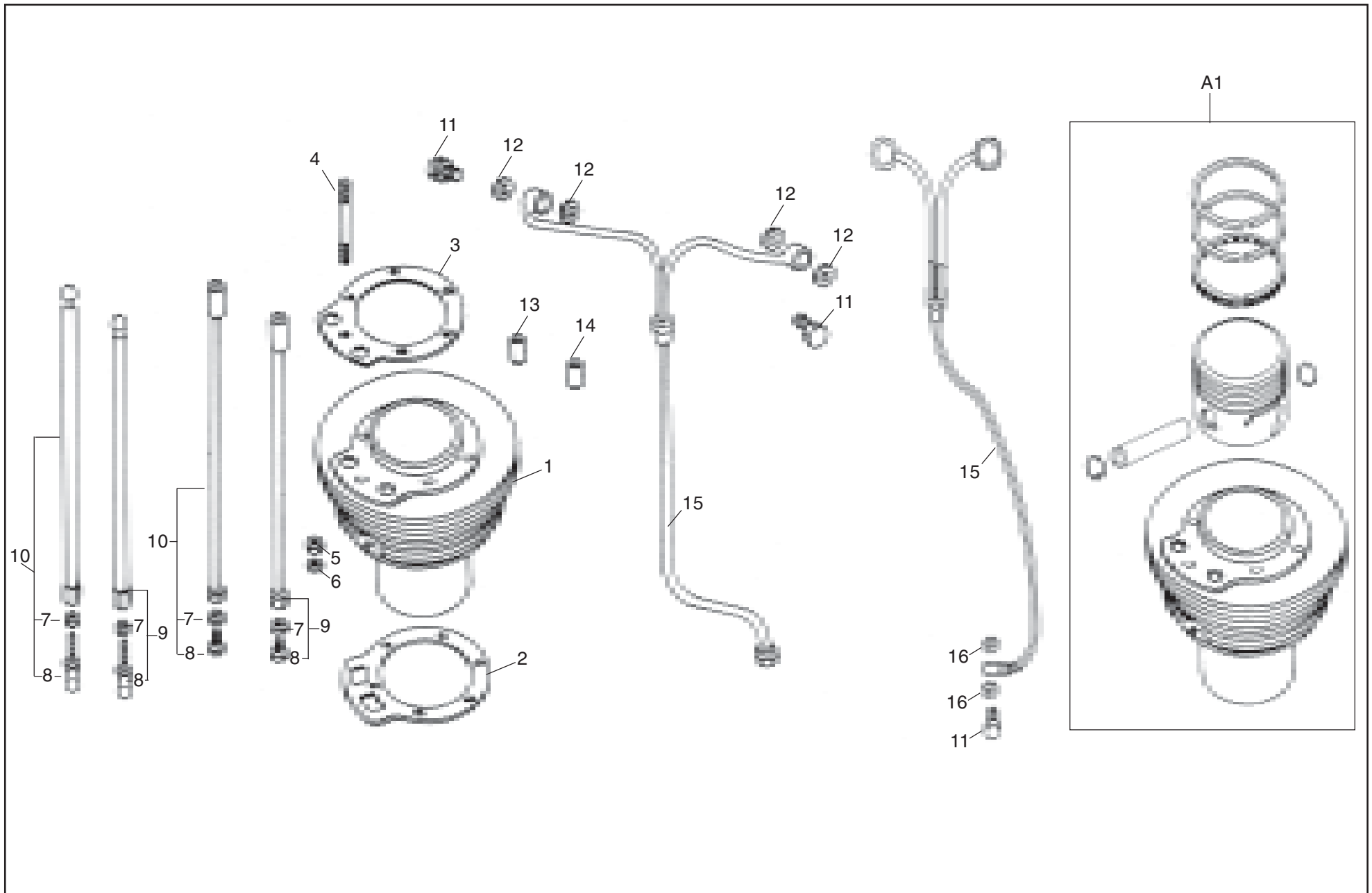
Key No.	Part Numbers		Description	Qty.	350								Lightning			Bu Mach		T Bird		Remarks	MOQ	
	New	Old			Std	Dlx	Mac	Cam	Elec 4S		Elec 5S		BU 500	500	535	535 ES	A350	A500	KS			ES
1	110085	110024	Piston assy with rings - Standard	1	●	●	●	●	●	●	●	●								For 535 engine, use Bullet 500 piston and barrel	1	
	500240/A	500240	Piston assy with rings	1											●			●	●		1	
	510240/A		Piston assy with rings													●					1	
	170442	142438	Piston assy with rings - Standard	1								●	●	●	●						1	
	111825		Piston assy with rings - .020" O/S	1	●	●	●	●	●	●	●	●									Not Serviced	1
	111826		Piston assy with rings - .040" O/S	1	●	●	●	●	●	●	●	●									Not Serviced	1
	142935		Piston assy with rings - .020" O/S	1								●	●	●	●						Not Serviced	1
2	147236/A		Piston ring set - Standard	1	●	●	●	●	●	●	●										1	
	142804		Piston ring set - Standard	1								●	●								1	
	144164/1		Piston ring set - Standard	1										●	●						1	
	500241/A		Piston ring set - Standard	1											●			●	●		1	
	510241/A		Piston ring set - Standard	1												●					1	
	112053		Piston ring set - .020" O/S	1	●	●	●	●	●	●	●	●									Not Serviced	1
	142805		Piston ring set - .020" O/S	1								●	●								LTD	1
112054		Piston ring set - .040" O/S	1	●	●	●	●													Not Serviced	1	
3	147192/A		Piston - Standard	1	●	●	●	●	●	●	●										1	
	170400		Piston - Standard	1								●	●								1	
	510202/B		Piston - Standard	1												●					1	
	500202/1		Piston - Standard	1											●			●	●		1	
	144162		Piston - Standard	1										●	●						LTD	1
	170406		Piston - .020" O/S	1								●	●								LTD	1
4	110090/B		Gudgeon pin	1	●	●	●	●	●	●	●										1	
	500206/A		Gudgeon pin	1											●			●	●		1	
	510206/B		Gudgeon pin	1												●					1	
	170401		Gudgeon pin	1								●	●								LTD	1
	144168		Gudgeon pin	1										●	●						Not Serviced	1

OLD TYPE



NEW TYPE

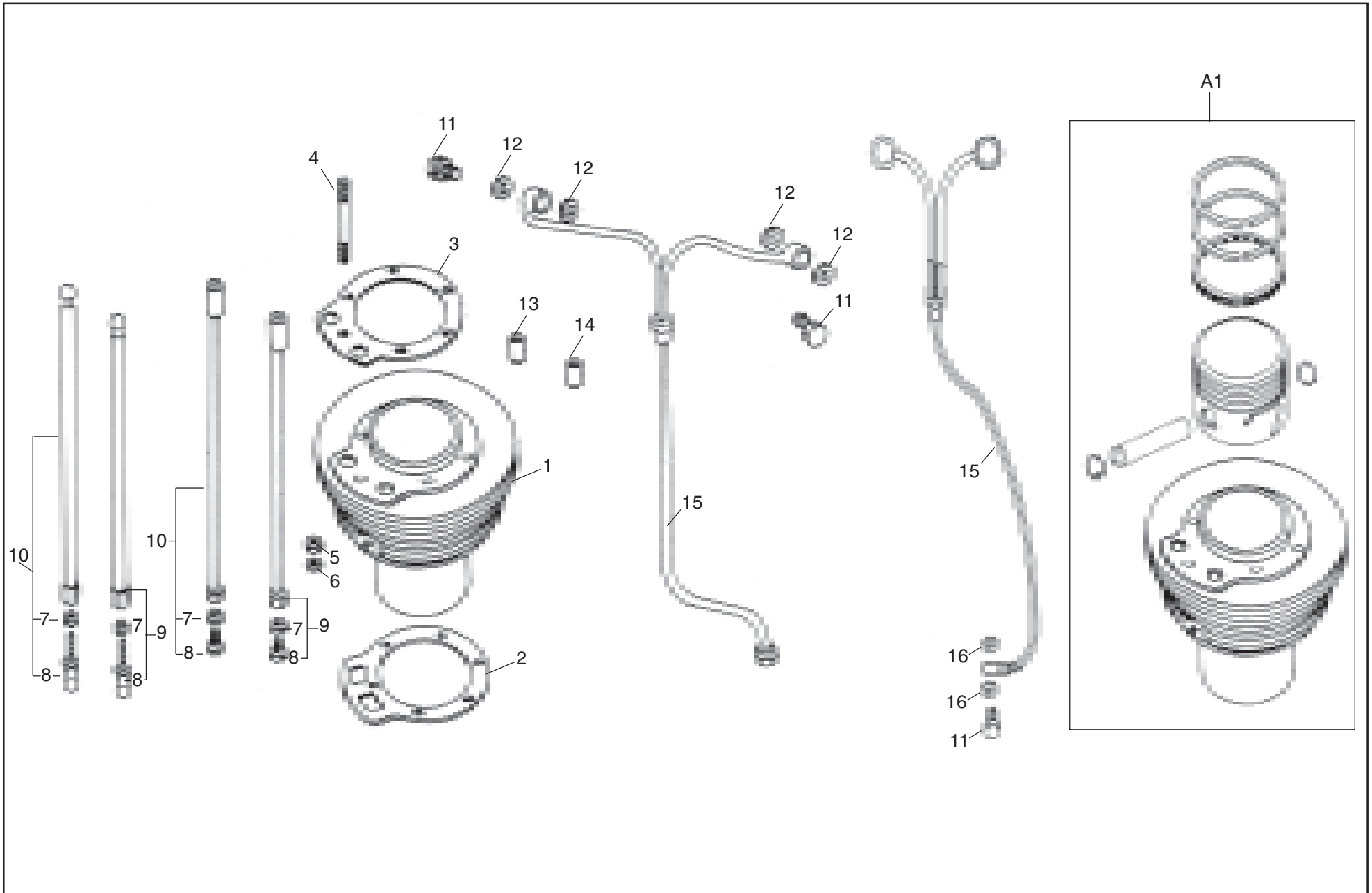




02-35 BARREL

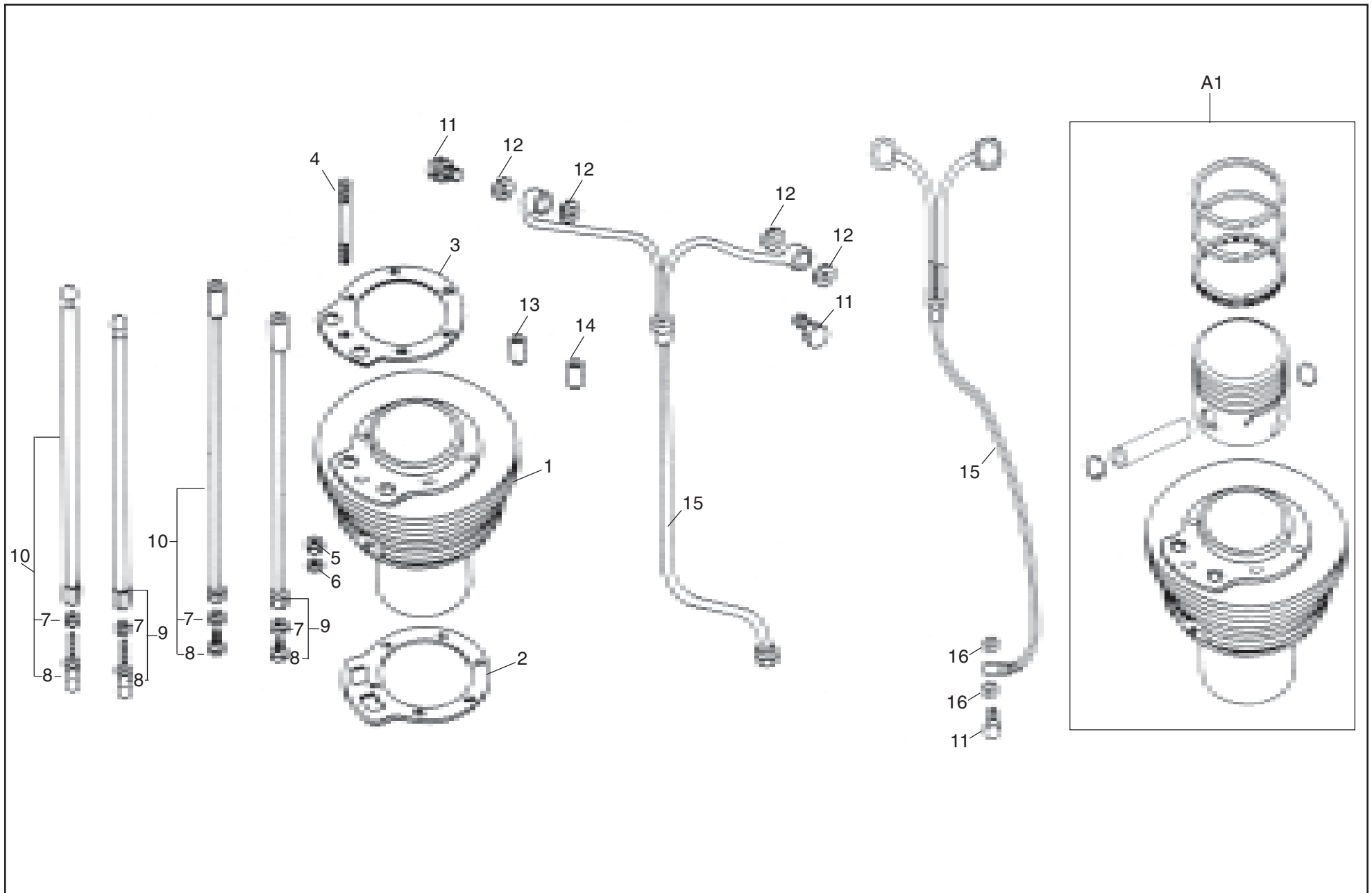
Key No.	Part Numbers		Description	Qty.	350								BU 500	Lightning			Bu Mach		T Bird		Remarks	MOQ	
	New	Old			Std	Dlx	Mac	Cam	Elec 4S		Elec 5S			500	500	535	535 ES	A350	A500	KS			ES
									KS	ES	KS	ES											
A1	144068		Cylinder barrel & Piston kit	1	●	●	●	●												1			
	146910		Cylinder barrel & Piston kit with gasket	1					●	●	●	●									1		
	597072		Cylinder barrel & Piston kit	1											●			●	●		1		
	597399		Cylinder barrel & Piston kit	1												●					1		
	597107		Cylinder barrel & Piston kit	1							●	●									1		
	579109		Cylinder barrel & Piston kit	1									●	●						Not Serviced .	1		
1	805001		Cyliner barrel (Inches) Black	1	●	●	●	●												Not Serviced	1		
	805009		Cyliner barrel (Metric) Black	1	●	●	●	●	●	●	●	●									LTD	1	
	805002		Cyliner barrel (Inches)	1							●	●									Not Serviced	1	
	805006		Cyliner barrel (Metric)	1							●	●									LTD	1	
	805004		Cyliner barrel (Inches)	1									●	●							Not Serviced	1	
	805007		Cyliner barrel (Metric)	1									●	●							LTD	1	
	510115/F		Cyliner barrel	1											●			●	●			1	
	510113/H		Cyliner barrel	1												●						1	
2	144622		Gasket - Barrel base	1	●	●	●	●														1	
	146545/B		Gasket - Barrel base	1	●	●	●	●	●	●	●	●										1	
	500119/A		Gasket - Barrel base	1											●							1	
	144628		Gasket - Barrel base	1								●	●	●	●							1	
	510252/B		Gasket - Barrel base	1												●						1	
	500332/B		Gasket - Barrel base	1											●			●	●			1	
3	110009		Gasket - Cylinder head	1	●	●	●	●													Not Serviced	1	
	146843/B		Gasket - Cylinder head	1	●	●	●	●	●	●	●	●										1	
	142617		Gasket - Cylinder head	1								●	●	●	●							1	
	500331/A		Gasket - Cylinder head	1											●			●	●			1	
	510331/A		Gasket - Cylinder head	1												●						1	

02-35 BARREL

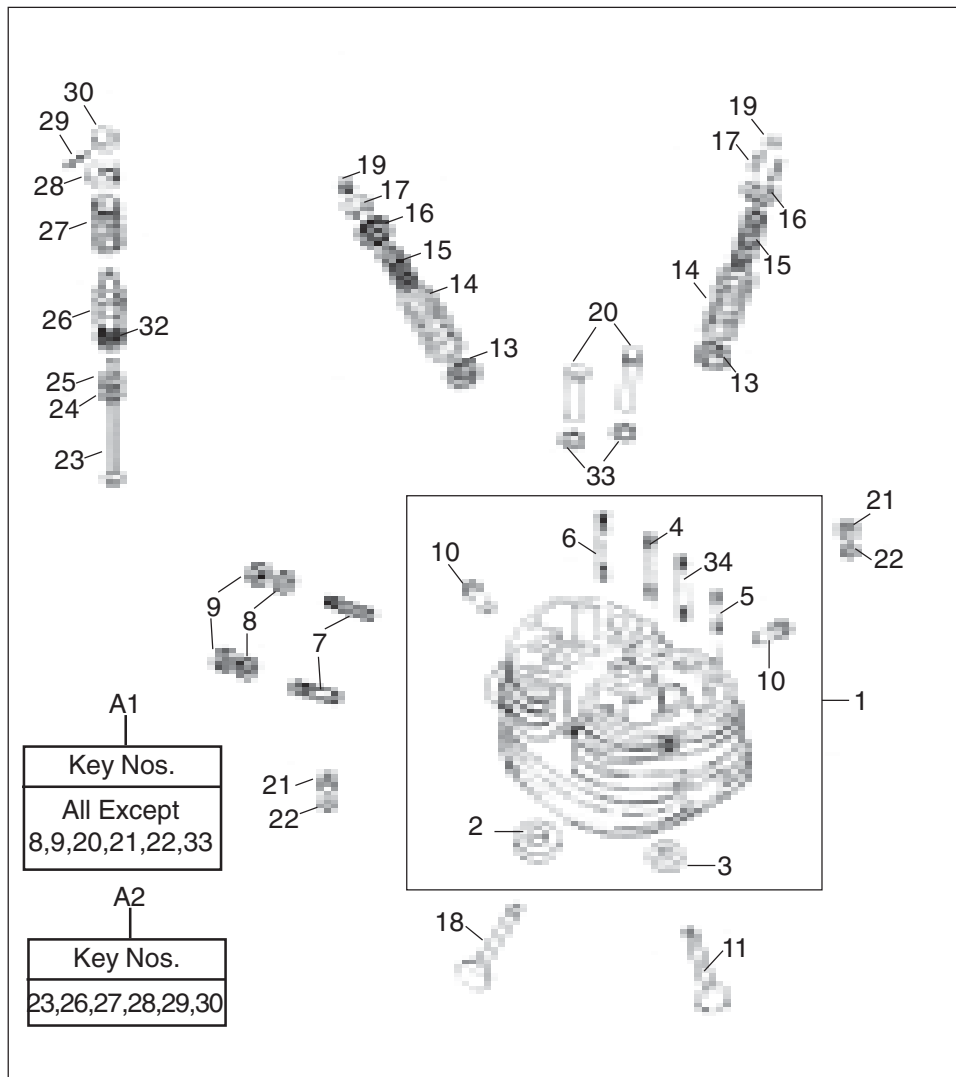


02-35 BARREL

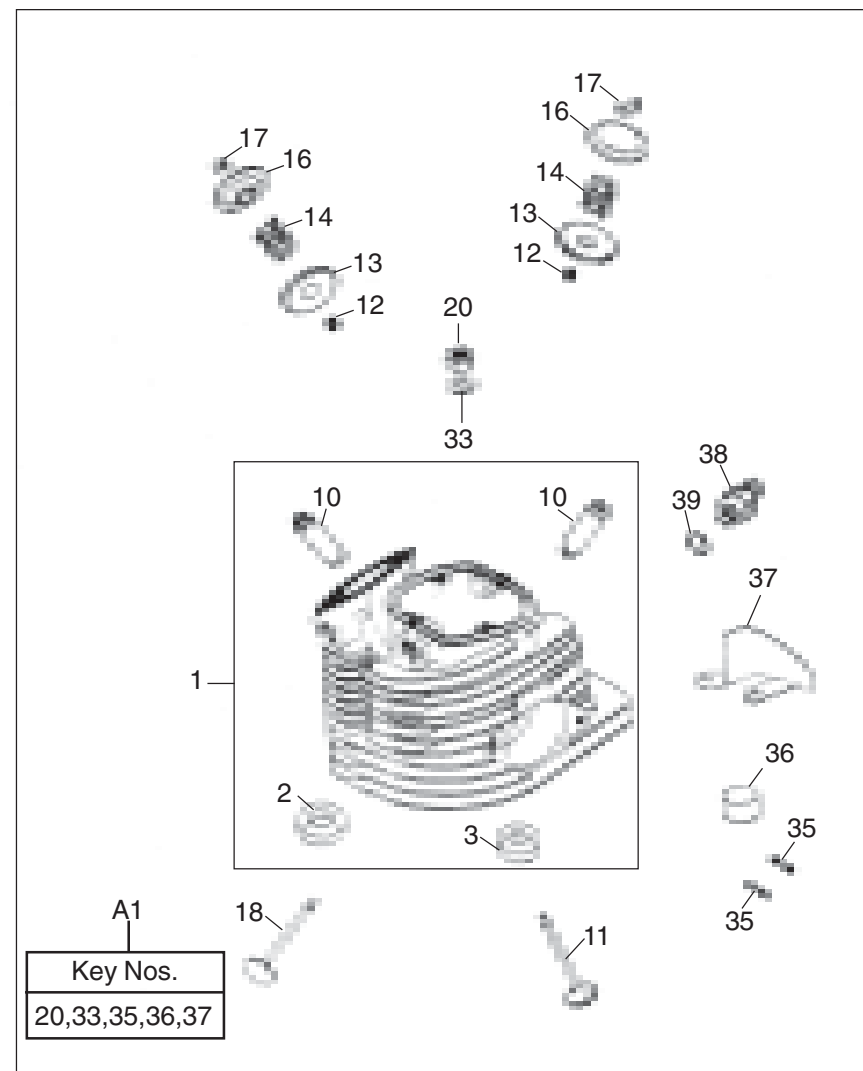
Key No.	Part Numbers		Description	Qty.	350								Lightning			Bu Mach		T Bird		Remarks	MOQ		
	New	Old			Std	Dlx	Mac	Cam	Elec 4S		Elec 5S		BU 500	500	535	535 ES	A350	A500	KS			ES	
4	110082/4		Stud - Cylinder (Inches)	1	●	●	●	●					●	●	●	●					Before July 2002	1	
	145109/C		Stud - Cylinder (Metric)	1	●	●	●	●	●	●	●	●	●	●	●	●						After July 2002	14
	500111/B		Stud - Cylinder	1													●	●	●	●			10
5	140126/3		Nut - Cylinder base (Inches)	1	●	●	●	●					●	●	●	●						Before July 2002	40
	141060		Nut - Cylinder base (Metric)	1	●	●	●	●	●	●	●	●	●	●	●	●						For 350,500&535 after July 2002	40
	145866/A		Flange Nut M6 x 1	3													●	●	●	●			20
6	140083/1		Washer (Inches)	1	●	●	●	●					●	●	●	●	●			●	●	Before July 2002	100
	141061/1		Washer (Metric)	1	●	●	●	●	●	●	●	●	●	●	●	●	●	●	●	●	●	For 350,500&535 after July 2002	50
7	140095		Nut - Push rod (Inches)	2	●	●	●	●					●	●	●	●							20
	141060		Nut - Push rod (Metric)	2	●	●	●	●	●	●	●	●	●	●	●	●							40
	500423/A		Nut - Push rod (Metric)	2													●	●	●	●			1
8	140094		Cup Screw (Inches)	2	●	●	●	●					●	●	●	●						LTD	4
	144933/C		Cup Screw (Metric)	2	●	●	●	●	●	●	●	●	●	●	●	●						LTD	1
	500408/B		Adjuster Screw	2													●		●	●			5
9	144528/A		Push rod assembly - Exhaust	1	●	●	●	●	●	●	●	●											1
	142620/A		Push rod assembly - Exhaust	1									●	●	●	●							1
	500427/E		Push rod assembly - Exhaust	1													●	●	●	●			1
10	144526/A		Push rod assembly - Inlet	1	●	●	●	●	●	●	●	●											1
	142619/A		Push rod assembly - Inlet	1									●	●	●	●							1
	500426/E		Push rod assembly - Inlet	1													●	●	●	●			1
11	144591		Banjo bolt	2	●	●	●	●	●		●		●	●	●								2
	560164/A		Pipe union bolt	3					●		●					●							4
	510639/A		Banjo bolt feed	3													●		●	●			5
	500624/B		Banjo bolt	2														●					4



02-40 CYLINDER HEAD

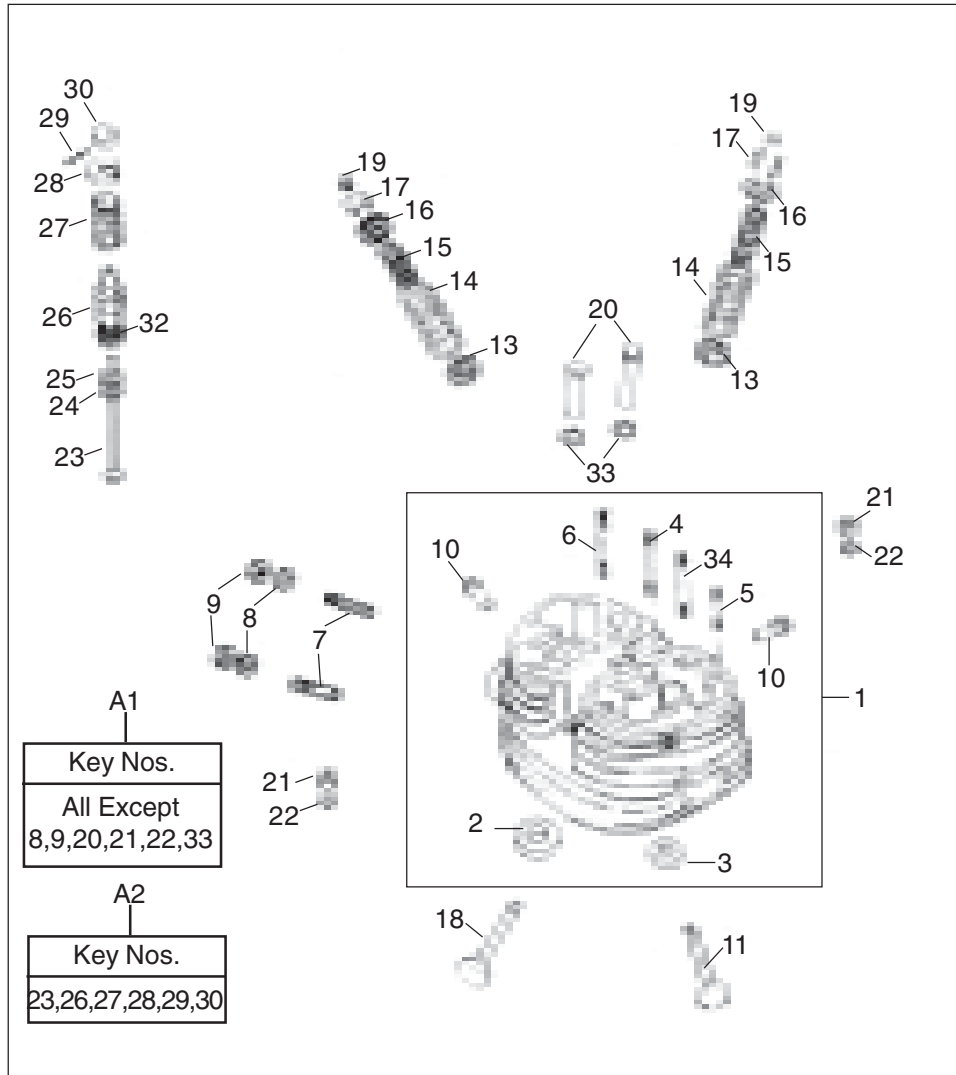


350, 500, 535

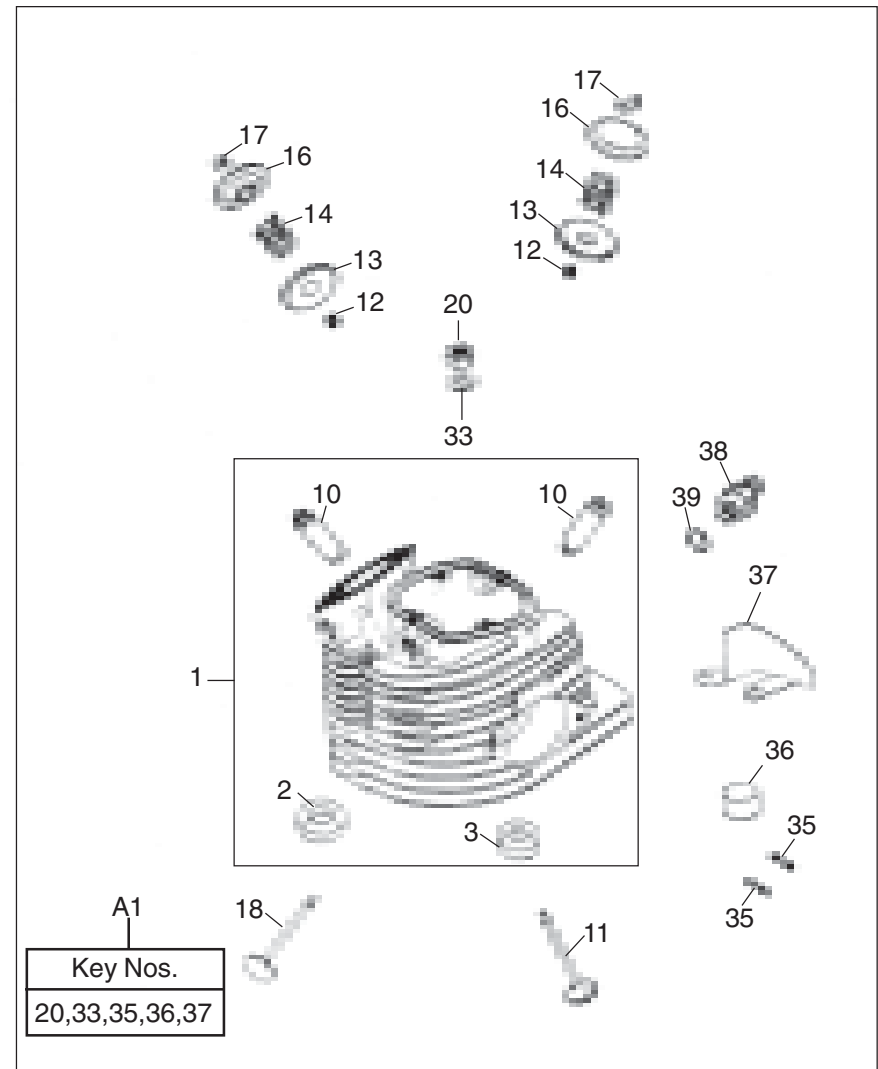


A350, A500, Thunderbird

02-40 CYLINDER HEAD



350, 500, 535

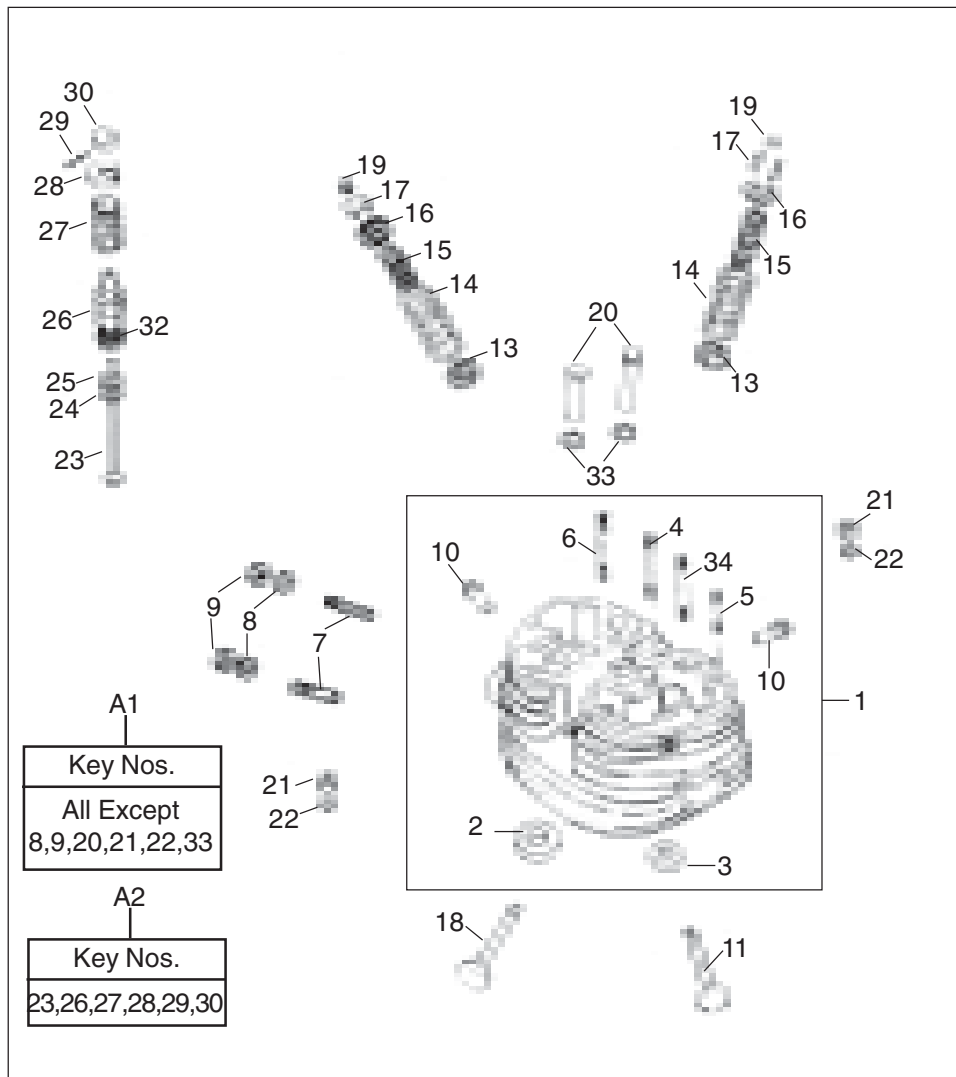


A350, A500, Thunderbird

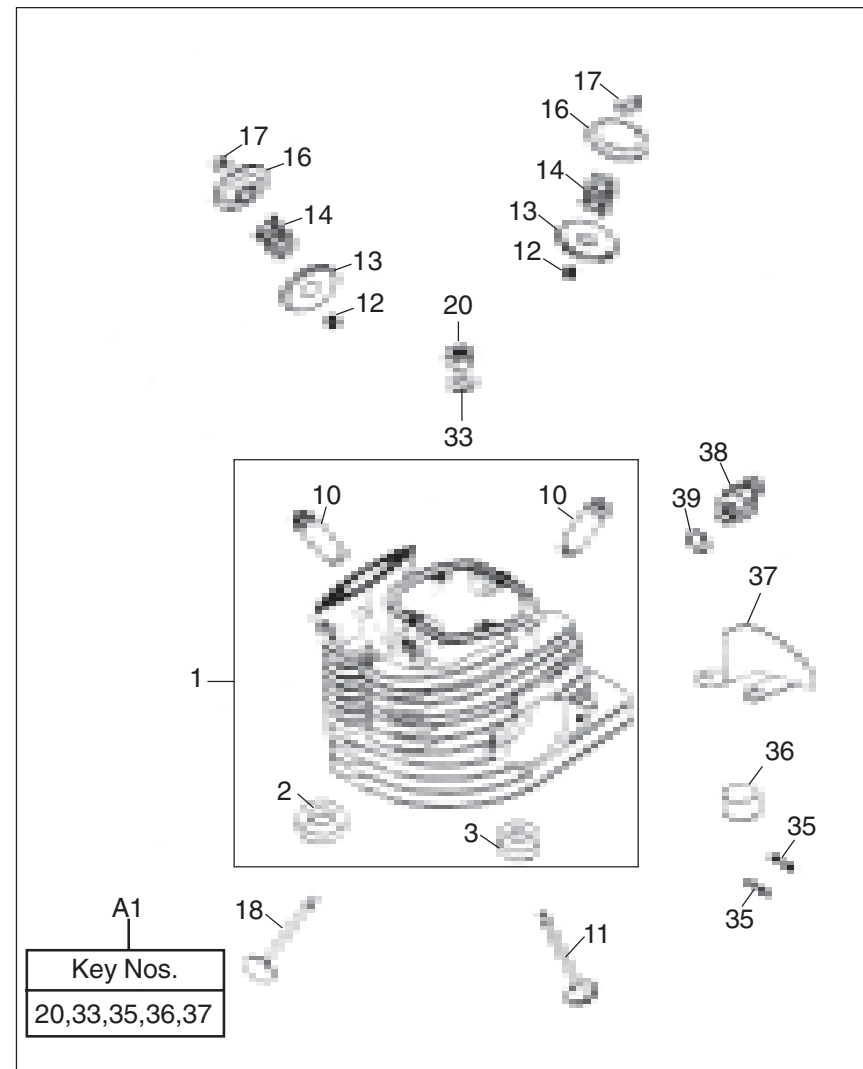
02-40 CYLINDER HEAD

Key No.	Part Numbers		Description	Qty.	350								BU 500	Lightning				Bu Mach		T Bird		Remarks	MOQ
	New	Old			Std	Dlx	Mac	Cam	Elec 4S		Elec 5S			500	500	535	535 ES	A350	A500	KS	ES		
									KS	ES	KS	ES											
5	140007		Stud - Short - Rocker box	6	●	●	●	●	●	●	●	●	●	●								40	
6	140566		Stud - Long - Rocker box	2	●	●	●	●	●	●	●	●	●	●									20
7	143285/2		Stud - Carburetor	2	●	●	●	●	●	●	●	●	●	●									1
8	144600/A		Wahser	2	●	●	●	●	●	●	●	●	●	●									1
9	140079/5		Nut - Carburetor stud	2	●	●	●	●	●	●	●	●	●	●									50
10	144836/E	140601	Valve guide - Std	2	●	●	●	●	●	●	●	●	●	●									1
	500304/B		Valve guide - Std	2											●	●	●	●					2
	140925		Valve Guide - 0.003" oversize	2	●	●	●	●				●	●	●	●								1
	144477		Valve Guide - 0.005" oversize	2	●	●	●	●				●	●	●	●							LTD	1
	146694/A		Valve Guide - 0.075mm oversize	2					●	●	●	●											2
	146695/A		Valve Guide - 0.125mm oversize	2					●	●	●	●											2
11	144449/4		Valve Exhaust	1	●	●	●	●														LTD	1
	146041/A		Valve Exhaust	1	●	●	●	●	●	●	●	●											1
	500325/A		Valve Exhaust	1											●			●	●				1
	510325/A		Valve Exhaust	1														●					1
	144498/3		Valve Exhaust	1								●	●	●	●								1
12	500322/A		Seal, valve stem	2											●	●	●	●					2
13	140001/C		Collar - Valve spring bottom	2	●	●	●	●	●	●	●	●	●	●									1
	500347/A		Seat, Spring	2											●	●	●	●					14
14	140004/8		Valve spring outer	2	●	●	●	●	●	●	●	●											4
	500309/B		Valve spring	2											●	●	●	●					2
	142202/A		Valve spring outer	2								●	●	●	●								2
15	140003/A		Valve spring inner	2	●	●	●	●	●	●	●	●											5
	142201/A	142201	Valve spring inner	2								●	●	●	●								10
16	144443/A	146421/A	Collar - Valve spring top	2	●	●	●	●	●	●	●	●	●	●									1
	500352/A		Retainer, valve spring	2											●	●	●	●					5

02-40 CYLINDER HEAD



350, 500, 535

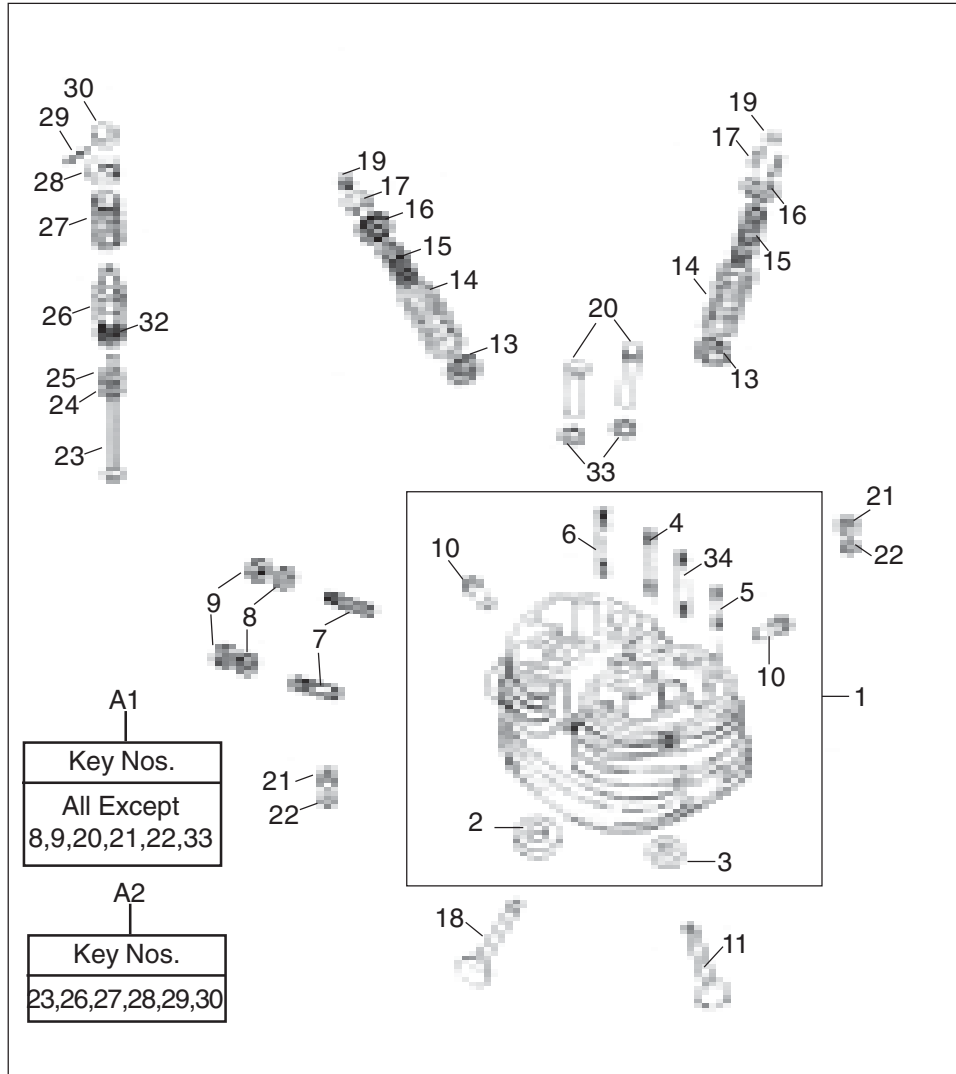


A350, A500, Thunderbird

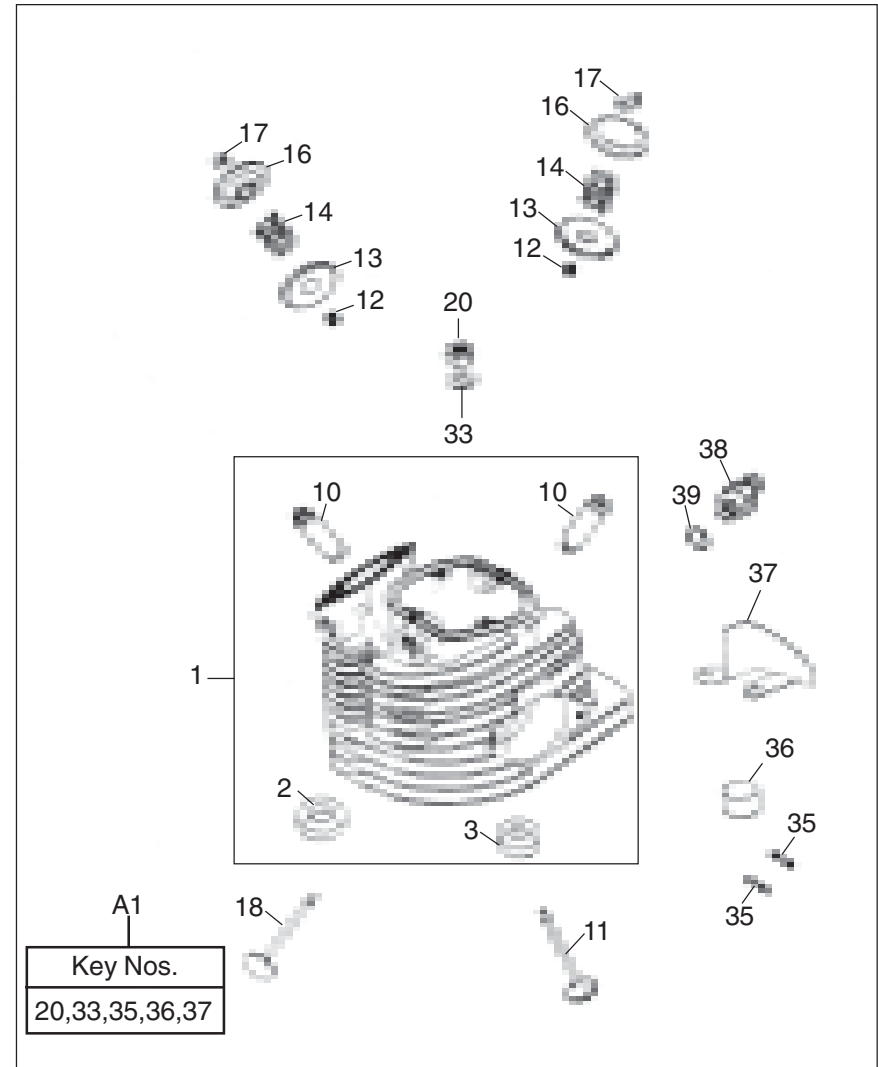
02-40 CYLINDER HEAD

Key No.	Part Numbers		Description	Qty.	350								BU 500	Lightning			Bu Mach		T Bird		Remarks	MOQ	
	New	Old			Std	Dlx	Mac	Cam	Elec 4S		Elec 5S			500	500	535	535 ES	A350	A500	KS			ES
									KS	ES	KS	ES											
17	140005/B		Split collar	4	●	●	●	●	●	●	●	●	●	●						30			
	500307/A		Split collar	4											●	●	●	●		20			
18	144448/3		Valve inlet	1	●	●	●	●											LTD	1			
	146040/A		Valve inlet	1	●	●	●	●	●	●										1			
	500324/A		Valve inlet	1											●			●	●	1			
	510324/A		Valve inlet	1												●				1			
	144499/2		Valve inlet	1							●	●	●	●						1			
19	140006/B		Valve stem cap	2	●	●	●	●			●	●	●	●						1			
20	110081		Nut, Cylinder head (Inches)	4	●	●	●	●	●										Before June 2002	1			
	145106/B		Nut, Cylinder head (Metric)	4	●	●	●	●	●	●									After June 2002	1			
	500320		Nut, Cylinder head	6											●				Not Serviced	1			
	142203		Nut, Cylinder head (Inches)	4							●	●	●	●					Not Serviced	10			
	145107/A		Nut, Cylinder head (Metric)	4							●	●	●	●					After July 2002	1			
	145867/A		Nut, Cylinder head	6											●	●	●	●		30			
21	140144/3		Nut, Cylinder head stud (Inches)	2	●	●	●	●	●		●	●	●	●					Before July 2002	20			
	145112/A		Nut, Cylinder head stud (Metric)	2	●	●	●	●	●	●	●	●	●	●					After July 2002	30			
22	144600		Wahser	2	●	●	●	●	●	●	●	●	●	●						50			
23	140099/A		Decompressor Valve	1	●	●	●	●	●	●	●	●	●	●						1			
24	140097/3		Wahser	1	●	●	●	●	●	●	●	●	●	●						1			
25	140098/1		Wahser	1	●	●	●	●	●	●	●	●	●	●						1			
26	140867/8		Decompressor body	1	●	●	●	●	●	●	●	●	●	●						1			
27	140100/A		Spring, Decompressor valve	1	●	●	●	●	●	●	●	●	●	●						40			
28	140101/B		Spring cap	1	●	●	●	●	●	●	●	●	●	●						1			
29	110320/3		Split pin	1	●	●	●	●	●	●	●	●	●	●						1			
30	140103/C		Cable block - Decompressor	1	●	●	●	●	●	●	●	●	●	●						1			

02-40 CYLINDER HEAD

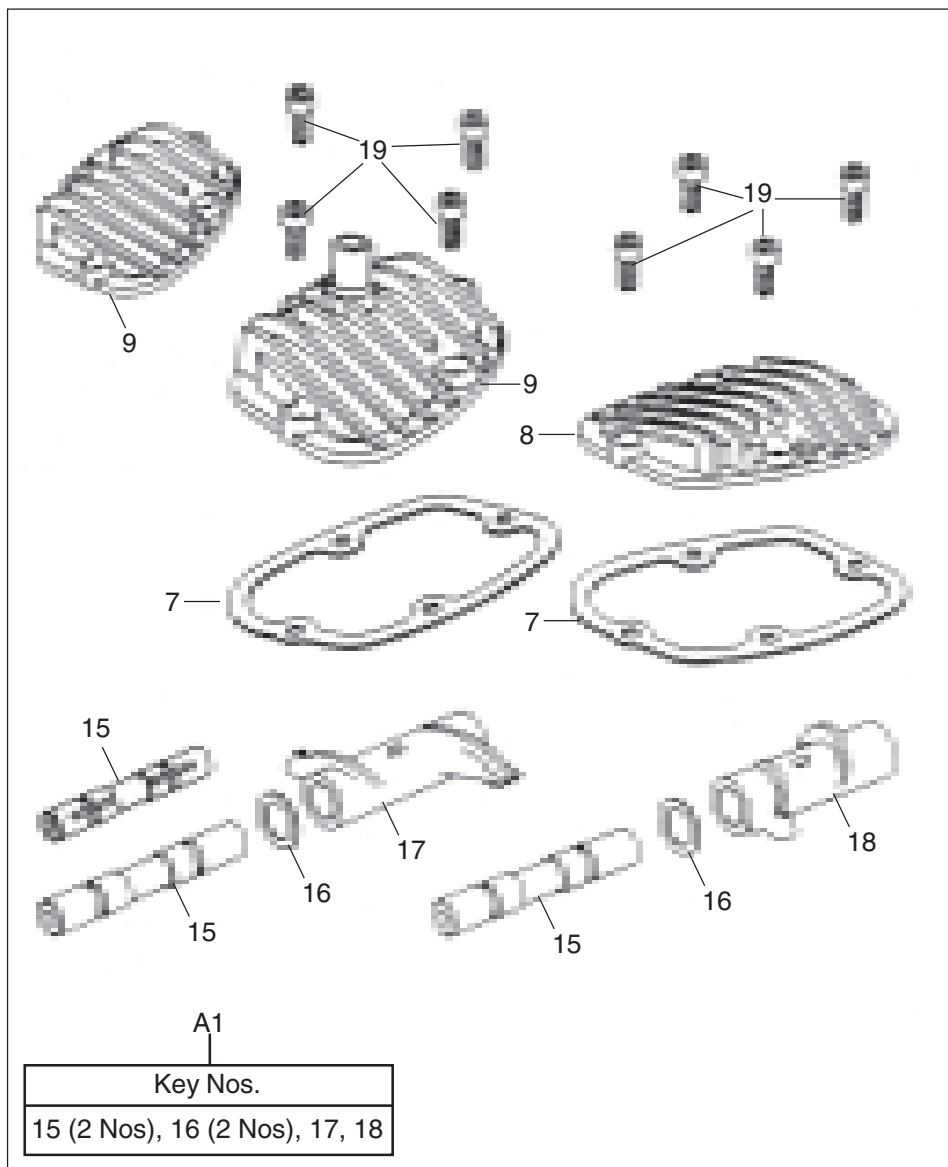


350, 500, 535

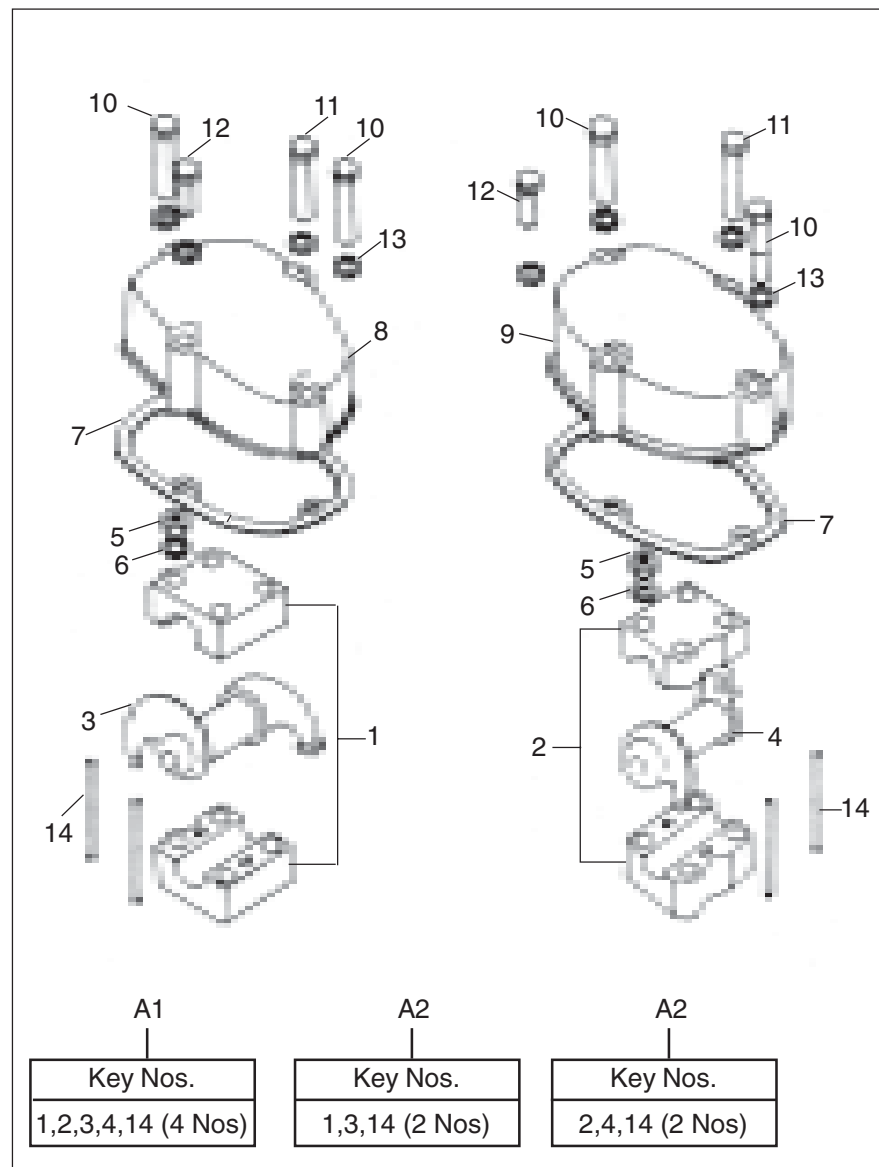


A350, A500, Thunderbird

02-45 ROCKER ASSEMBLY



A350, A500, Thunderbird

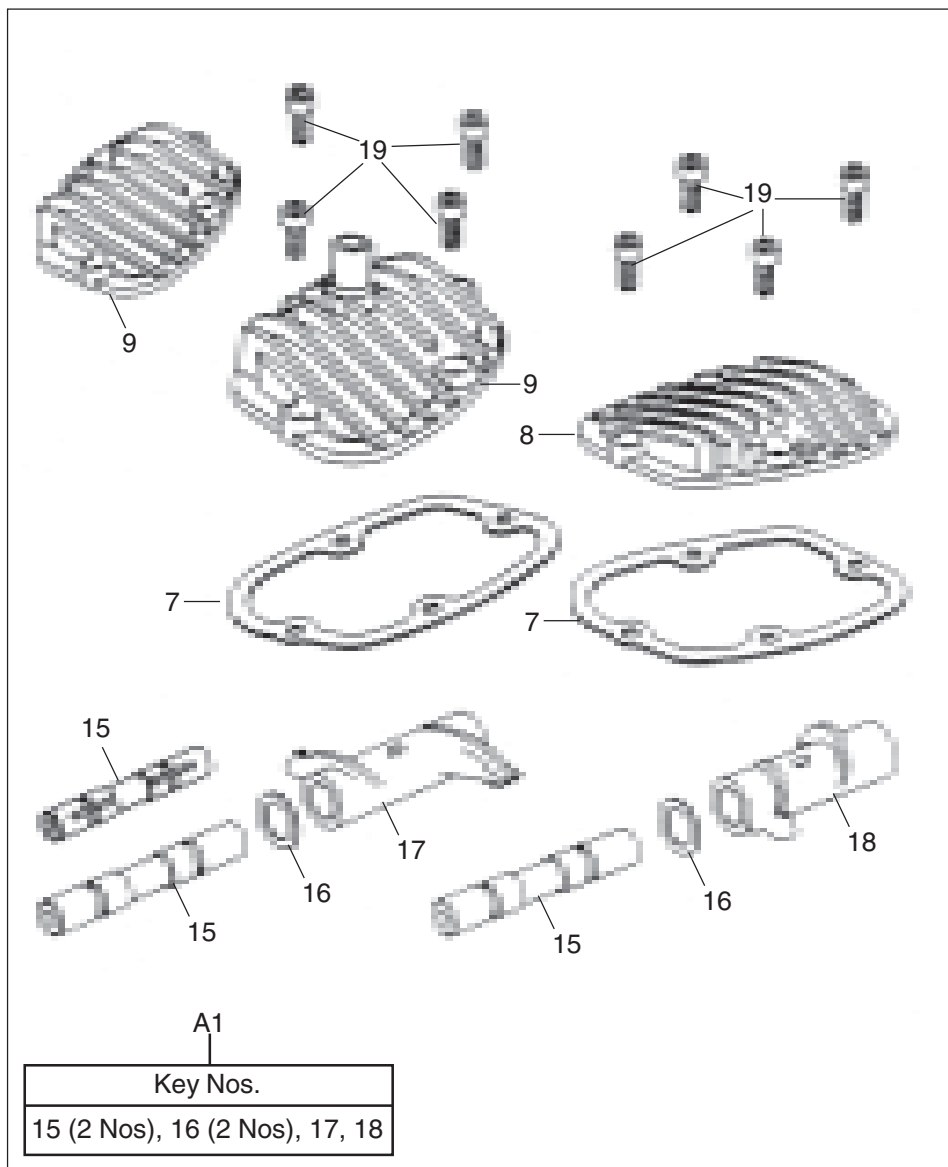


350, 500, 535

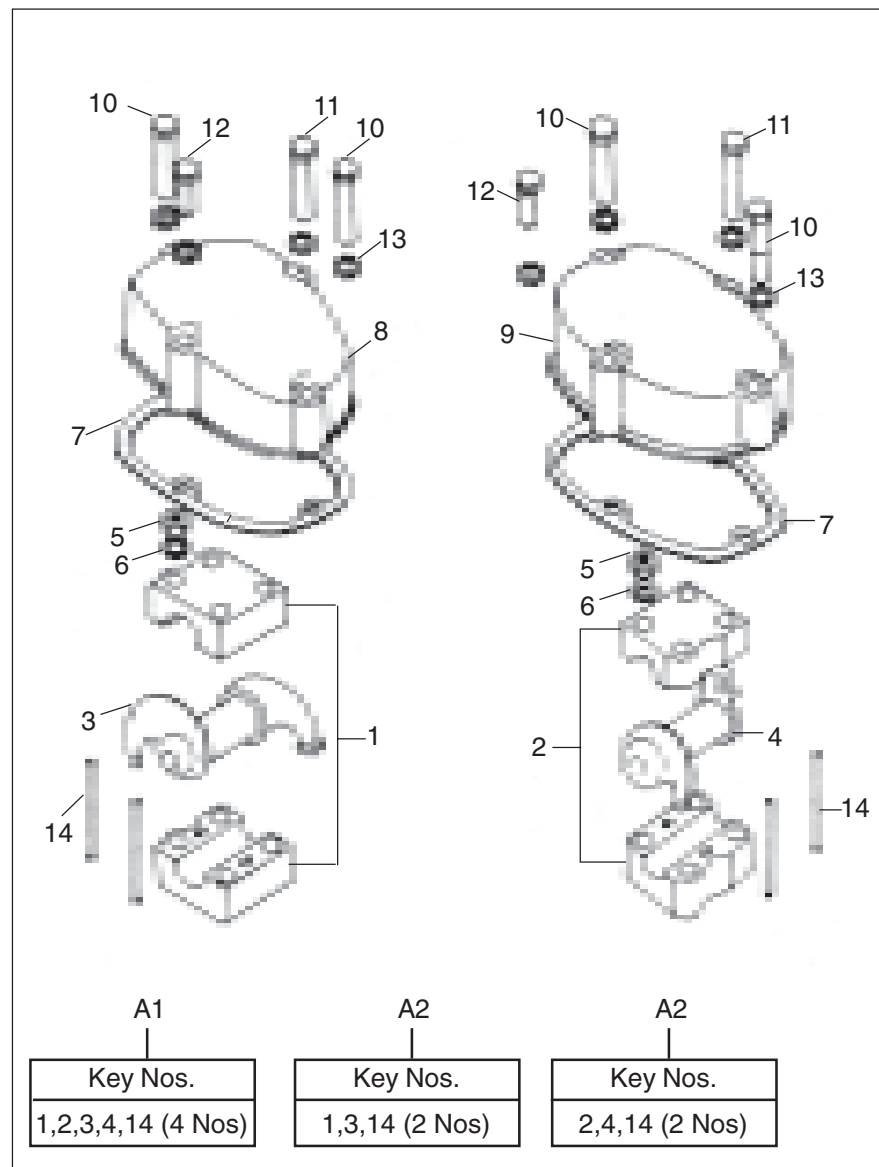
02-45 ROCKER ASSEMBLY

Key No.	Part Numbers		Description	Qty.	350								BU		Lightning				Bu Mach		T Bird		Remarks	MOQ
	New	Old			Std	Dlx	Mac	Cam	Elec 4S		Elec 5S		500	500	535	535 ES	A350	A500	KS	ES				
									KS	ES	KS	ES												
A1	141645		Rocker assy kit	1	●	●	●	●	●	●	●	●							Alternate No. 597439	1				
	597067		Rocker assy kit	1											●					1				
A2	141647		Rocker assy Exhaust	1	●	●	●	●	●	●	●	●								1				
A3	141646		Rocker assy Inlet	1	●	●	●	●	●	●	●	●								1				
1	140086		Rocker bearing set, Exhaust	1	●	●	●	●			●	●							Not Serviced	1				
	146683/A		Rocker bearing set, Exhaust	1	●	●	●	●	●	●	●	●								1				
	144437		Rocker bearing set, Exhaust	1									●	●					LTD	1				
2	140084		Rocker bearing, Inlet	1	●	●	●	●			●	●								1				
	146682/A		Rocker bearing set, Inlet	1	●	●	●	●	●	●	●	●								1				
	144436		Rocker bearing set, Inlet	1									●	●					LTD	1				
3	140089		Rocker arm, Exhaust	1	●	●	●	●			●	●							Not Serviced	1				
	146504/A		Rocker arm, Exhaust	1	●	●	●	●	●	●	●	●								1				
	144444		Rocker arm, Exhaust	1									●	●					Not Serviced	1				
4	140088		Rocker arm, Inlet	1	●	●	●	●			●	●							Not Serviced	1				
	146503/A		Rocker arm, Inlet	1	●	●	●	●	●	●	●	●								1				
	144445		Rocker arm, Inlet	1									●	●					Not Serviced	1				
5	140056/3		Nut	8	●	●	●	●			●	●	●	●						1				
6	140090/1		Washer	8	●	●	●	●	●	●	●	●	●	●						1				
7	144620		Gasket, Rocker cover	2	●	●	●	●			●	●	●	●					Not Serviced	6				
	146552/A		Gasket, Rocker cover	2	●	●	●	●	●	●	●	●	●	●						5				
	500330/A		Gasket, Rocker cover	2											●		●	●		5				
	510254/B		Gasket, Rocker cover	2												●				1				
	500318/A		Gasket, Rocker cover	2											●					1				
8	140568/2		Rocker cover, Exhaust	1	●	●	●	●	●	●	●	●	●	●						1				
	814010		Rocker cover, Exhaust	1											●					1				
	814003		Rocker cover, Exhaust	1											●	●	●	●		1				

02-45 ROCKER ASSEMBLY

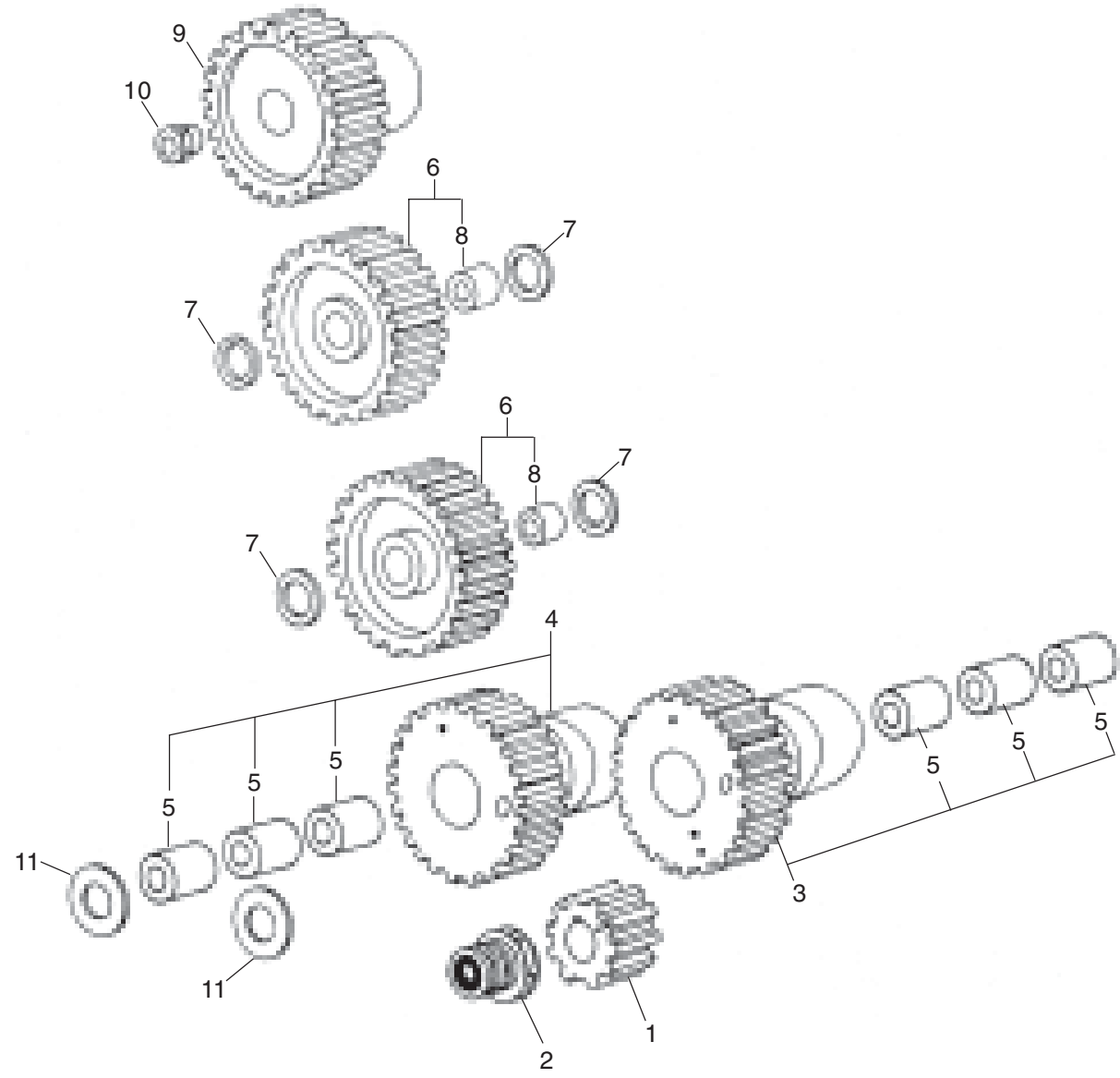


A350, A500, Thunderbird

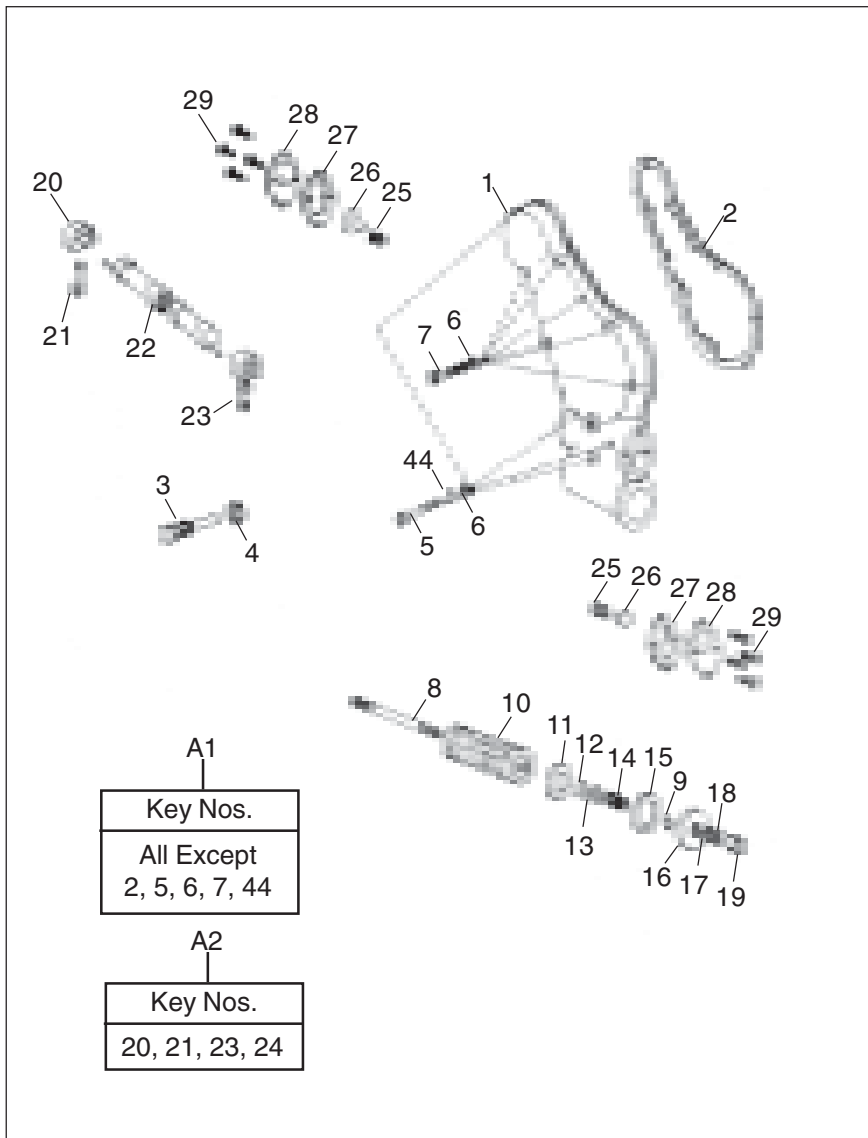


350, 500, 535

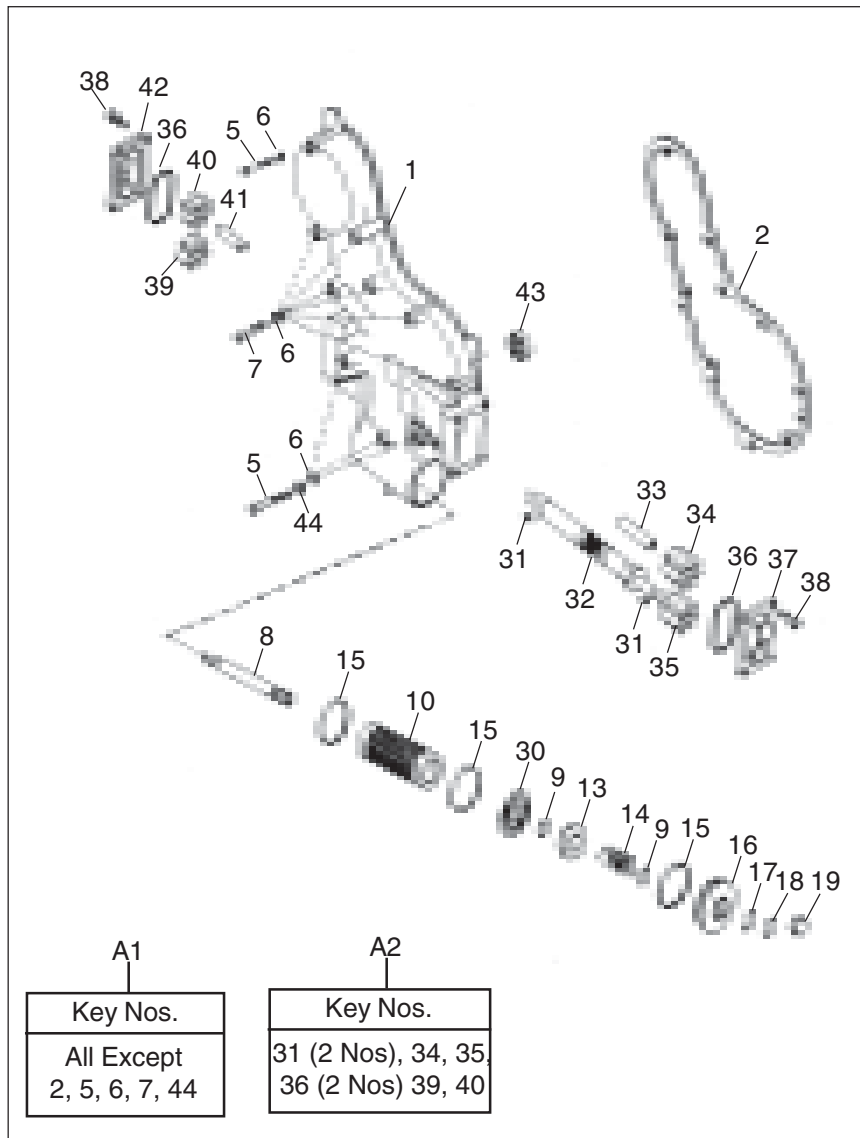
02-50 TIMING GEARS



02-55 TIMING COVER



350,500,535

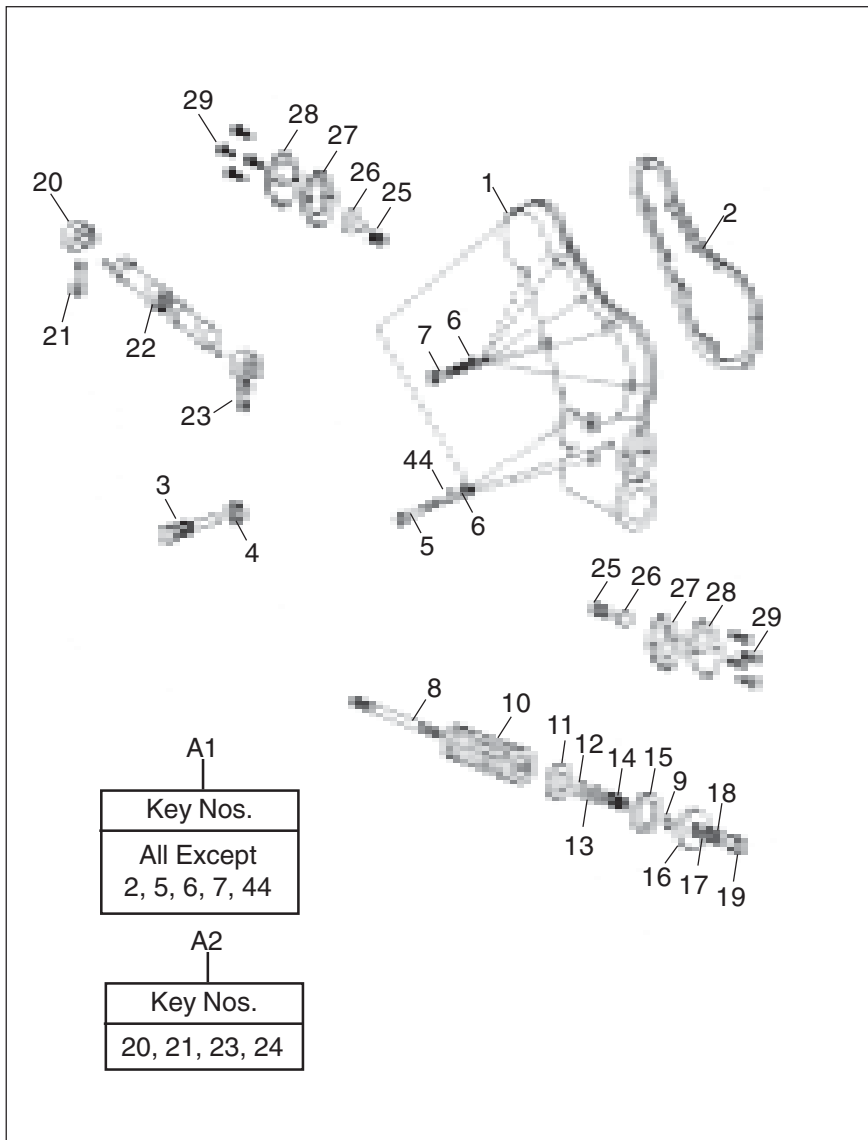


A350, A500, Thunderbird

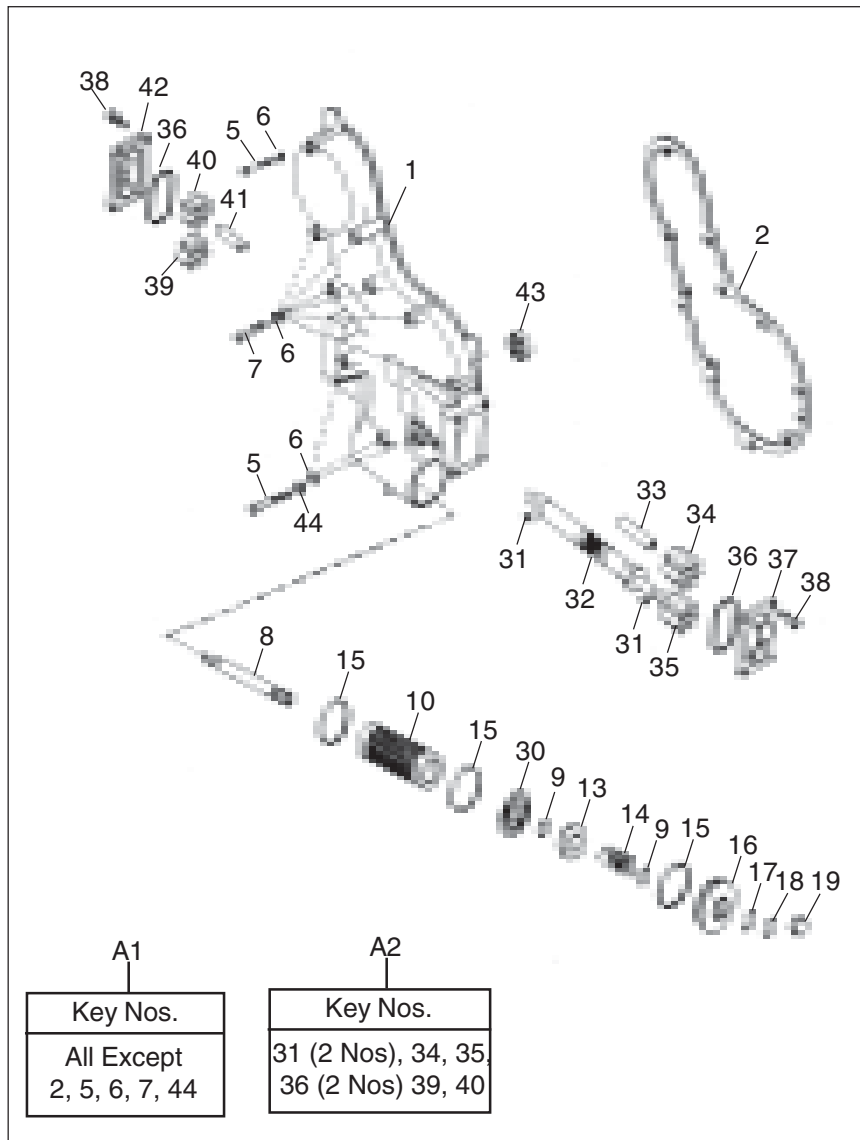
02-55 TIMING COVER

Key No.	Part Numbers		Description	Qty.	350								BU			Lightning			Bu Mach		T Bird		Remarks	MOQ
	New	Old			Std	Dlx	Mac	Cam	Elec 4S		Elec 5S		500	500	535	535 ES	A350	A500	KS	ES				
									KS	ES	KS	ES												
A1	146623/B		Timing cover assembly (Inches)	1	●	●	●	●				●	●						Not Serviced	1				
	500615		Timing cover assembly (Old oil circuit)	1											●				Not Serviced	1				
	500158/A		Timing cover assembly (New oil circuit)	1											●		●	●	For Mach, After July 2002	1				
	500512/B		Timing cover assembly	1											●	●				1				
	140779/W		Timing cover assembly	1									●	●					Not Serviced	1				
A2	112147		Oil pump kit	1	●	●	●	●	●	●	●	●	●							1				
	597066		Oil pump kit	1											●	●	●	●		1				
	597261		Oil pump kit	1									●	●					Not Serviced	1				
1	142123	144612/D	Timing cover (Inches)	1	●	●	●	●	●			●	●	●	●				Not Serviced	1				
	145047/B		Timing cover (Metric)	1	●	●	●	●	●			●	●	●	●				LTD	1				
	146623/B		Timing cover	1				●	●	●	●									1				
	500513/A		Timing cover	1											●	●	●	●	LTD	1				
	500416		Timing cover (Old oil Circuit)	1											●				Not Serviced	1				
	500159/A		Timing cover (New oil Circuit)	1											●		●	●	After July 2002	1				
2	144047		Gasket, Timing cover	1	●	●	●	●				●	●	●	●				Not Serviced	1				
	144617		Gasket, Timing cover	1	●	●	●	●				●	●	●	●				After Nov 2000	1				
	146846/A		Gasket, Timing cover	1	●	●	●	●	●	●	●	●	●	●	●	●	●	●		1				
	500414/D		Gasket, Timing cover	1											●					1				
	510251/B		Gasket, Timing cover	1												●				1				
3	140038		Oil feed plug (Inches)	1	●	●	●	●	●			●	●	●	●				Before July 2002	2				
	145020/C		Oil feed plug (Metric) M.16	1	●	●	●	●	●	●	●	●	●	●					After July 2002	2				
4	144844		Washer, Copper - Oil feed plug	1	●	●	●	●	●	●	●	●	●	●						1				
5	144841		Screw, Long (Inches)	4	●	●	●	●	●			●	●	●	●				Before July 2002	14				
	145061/C		Slotted head screw, Long (Metric)	4	●	●	●	●	●			●	●	●	●				Not Serviced	1				
	146428		Slotted head screw, long	4				●	●	●	●			●	●	●	●			20				

02-55 TIMING COVER



350,500,535

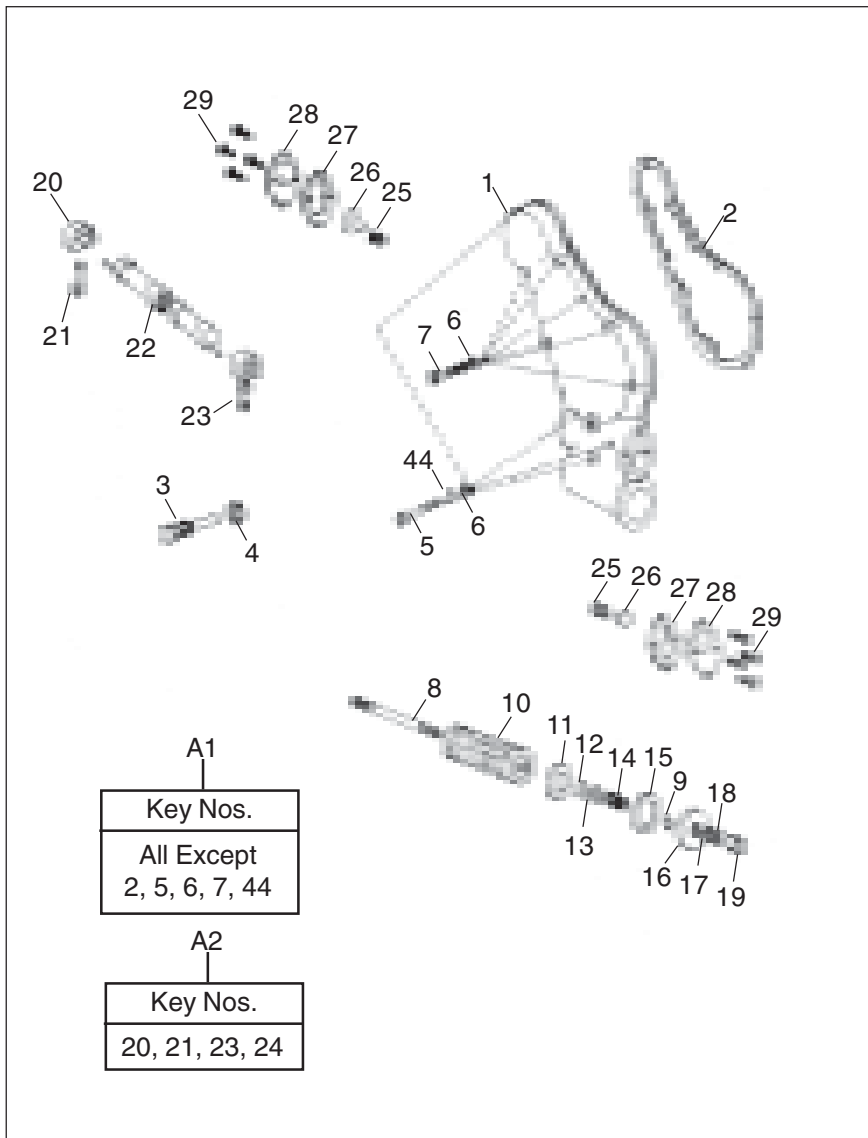


A350, A500, Thunderbird

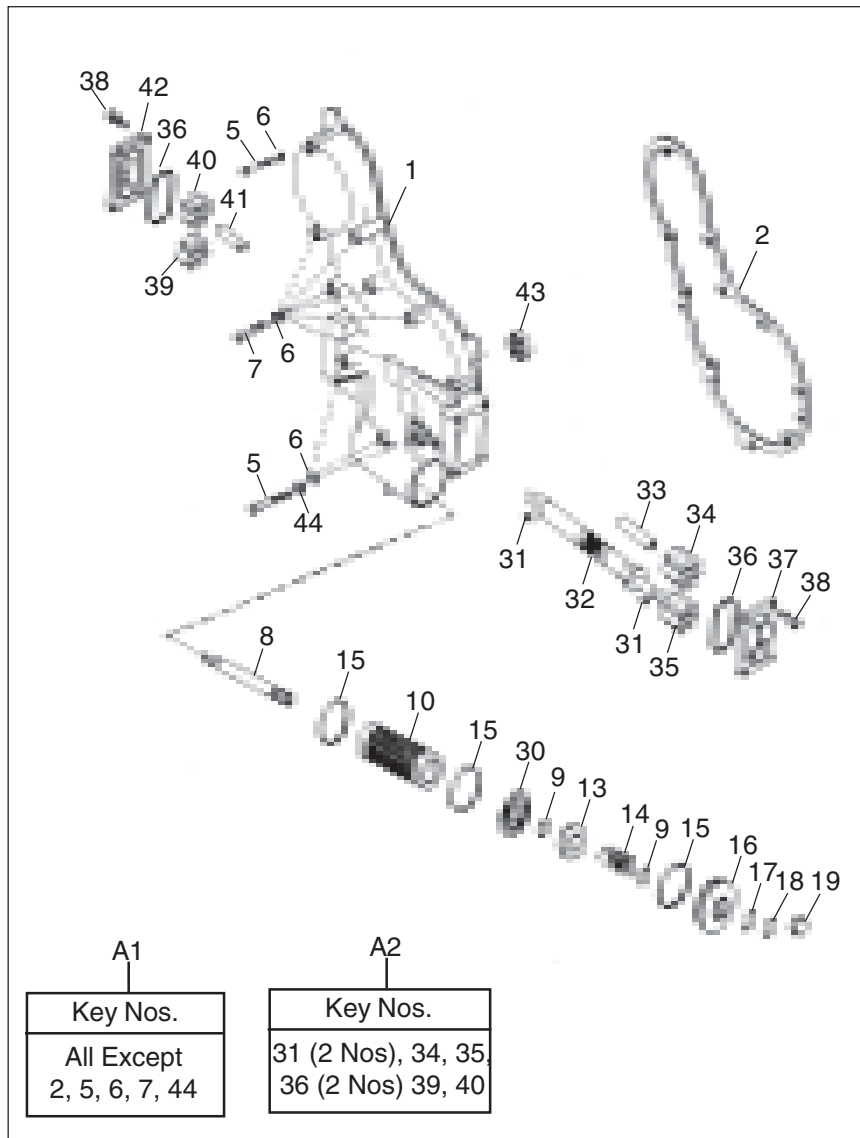
02-55 TIMING COVER

Key No.	Part Numbers		Description	Qty.	350								BU 500	Lightning			Bu Mach		T Bird		Remarks	MOQ
	New	Old			Std	Dlx	Mac	Cam	Elec 4S		Elec 5S			500	500	535	535 ES	A350	A500	KS		
6	144636/A		Sealing washer	10														•	•		20	
	145023		Sealing washer	10													•	•		LTD	1	
	140771		Fibre Washer	10	•	•	•	•	•			•	•	•	•	•					100	
7	144638		Screw, Short (Inches)	6	•	•	•	•	•			•	•	•	•					Not Serviced	20	
	145022/C		Screw, Short (Metric)	6	•	•	•	•	•			•	•	•	•					After July 2002	1	
	146429		Slotted ch hd screw	6					•	•	•	•				•	•	•	•	LTD	14	
8	144613		Stud - Oil filter (Inches)	1	•	•	•	•	•			•	•	•	•					Before July 2002	10	
	145025/C		Stud - Oil filter (Metric)	1	•	•	•	•	•	•	•	•	•	•	•					After July 2002	4	
	500614/B		Stud - Oil filter	1												•	•	•	•		5	
9	500621/A		"O" Ring - Oil filter stud	3	•	•	•	•	•	•	•	•	•	•	•	•	•				50	
10	140029/6		Oil filter element	1	•	•	•	•	•	•	•	•	•	•	•						1	
	500613/A		Oil filter element	1												•	•	•	•		1	
11	144614		Cup - Oil filter element	1	•	•	•	•	•	•	•	•	•	•	•						20	
	500616/A		Cup - Oil filter element	1												•	•	•	•		10	
12	144615/B		Felt washer - Oil filter stud	1	•	•	•	•	•	•	•	•	•	•	•						1	
13	500617/A		Washer - Oil filter	1	•	•	•	•	•	•	•	•	•	•	•	•	•				40	
14	144716/B		Spring - Oil filter	1	•	•	•	•					•	•	•	•					1	
	500637/B		Spring - Oil filter	1												•	•	•	•		40	
	140100/A		Spring - Oil filter	1					•	•	•	•									40	
15	500619/A		"O" Ring	1	•	•	•	•	•	•	•	•	•	•	•						40	
	146660/A		Gasket	1												•	•	•	•		20	
16	500618/C		Cap - Oil filter	1	•	•	•	•				•	•	•	•	•					1	
	145662/C		Cap - Oil filter	1					•	•	•	•							•	•	1	
17	146661/A		Copper washer	1					•	•	•	•				•	•	•	•		20	
	144600		Fiber washer	1	•	•	•	•				•	•	•	•						50	

02-55 TIMING COVER



350,500,535

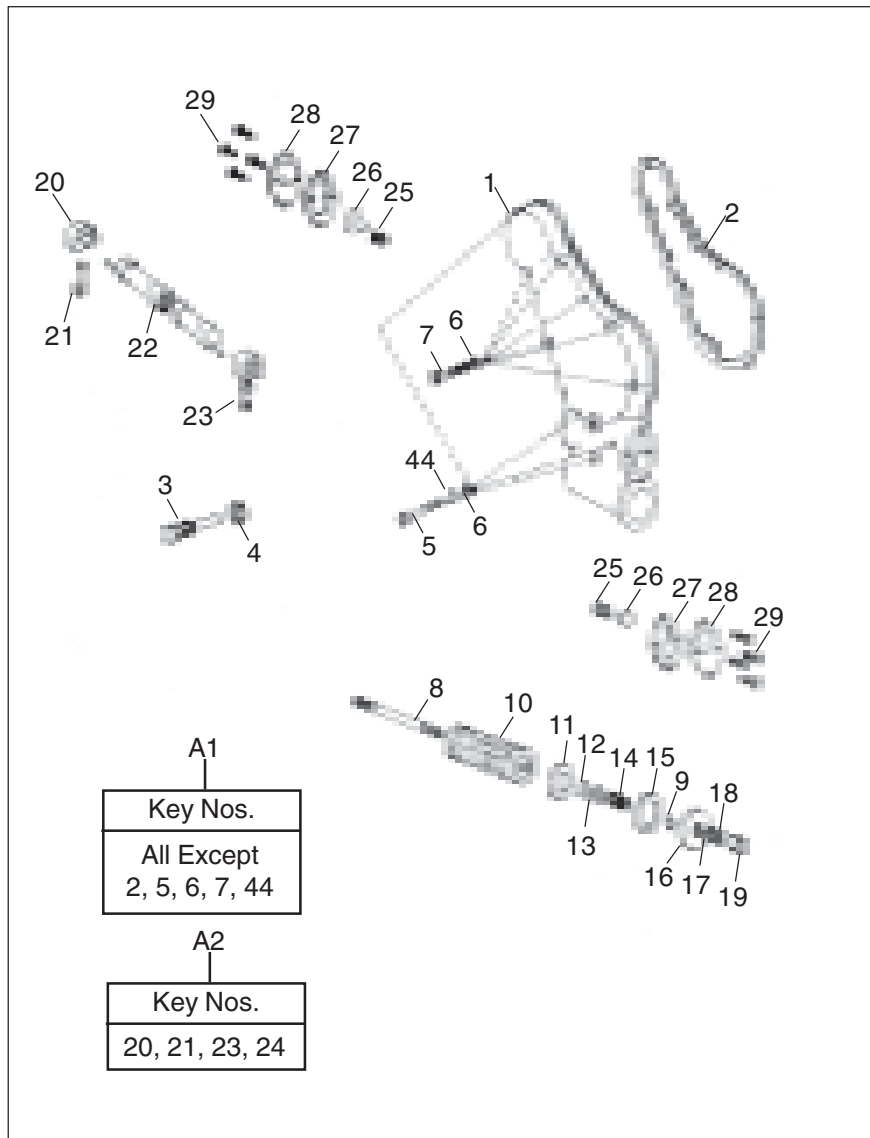


A350, A500, Thunderbird

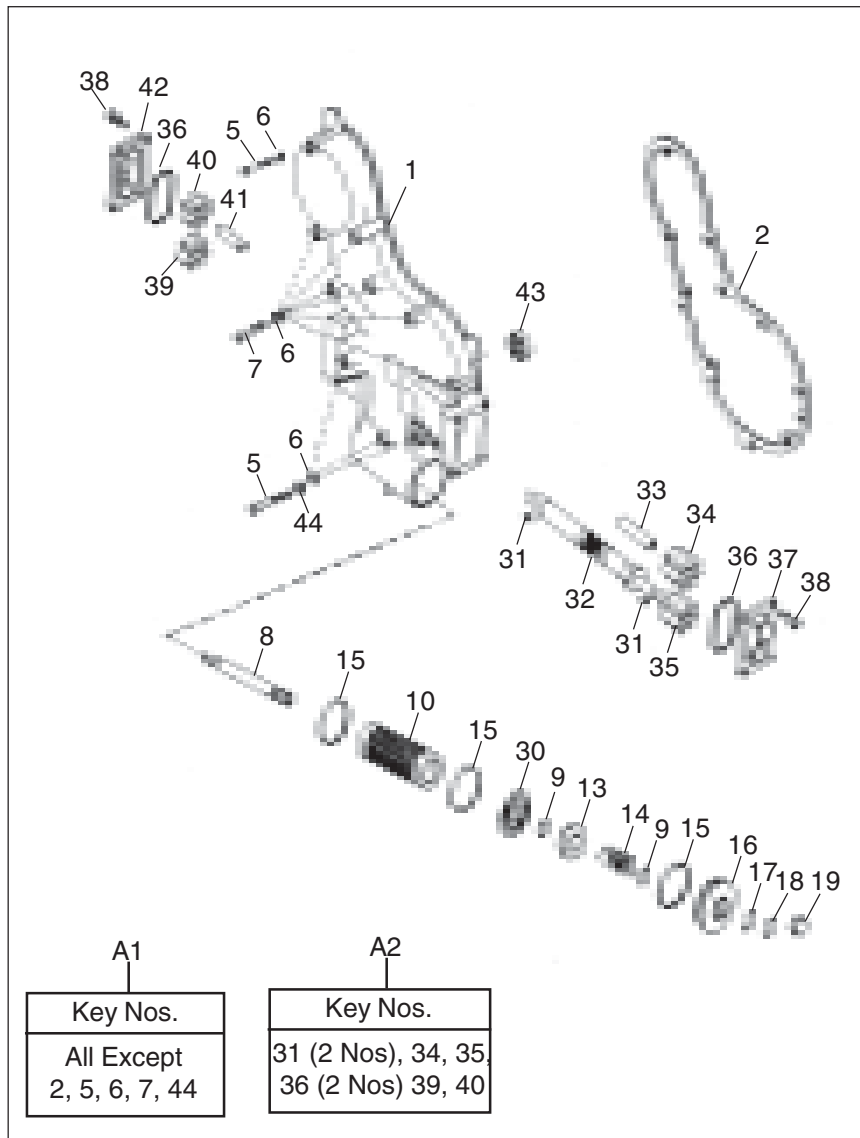
02-55 TIMING COVER

Key No.	Part Numbers		Description	Qty.	350								Lightning			Bu Mach		T Bird		Remarks	MOQ	
	New	Old			Std	Dlx	Mac	Cam	Elec 4S		Elec 5S		BU 500	500	535	535 ES	A350	A500	KS			ES
									KS	ES	KS	ES										
18	140293/1		Washer plain	1	●	●	●	●	●	●	●	●	●	●								
19	144392	145233	Dome nut, M8	1	●	●	●	●	●	●	●	●	●	●			●	●				
	500633/A		Dome nut, M8	1											●					Not Serviced		
20	140041/14		Disc - Feed pump	1	●	●	●	●	●	●	●	●										
	144131		Disc - Feed pump	1									●	●						LTD		
21	140043/A		Plunger - Feed pump	1	●	●	●	●	●	●	●	●										
	144130		Plunger - Feed pump	1									●	●						LTD		
22	500600/F		Oil pump spindle	1											●	●	●	●				
	140040/G		Oil pump spindle	1	●	●	●	●	●	●	●	●	●	●								
23	140044/A		Plunger - Return pump	1	●	●	●	●	●	●	●	●										
	144132		Plunger - Return pump	1									●	●						LTD		
24	140042/C		Disc - Return pump	1	●	●	●	●	●	●	●	●										
	144133		Disc - Return pump	1									●	●						LTD		
25	144134		Spring - Oil pump	2	●	●	●	●	●	●	●	●	●	●						LTD		
26	140049/B		Pad - Oil pump	2	●	●	●	●	●			●	●	●	●							
27	144616		Gasket - Cover oil pump	2	●	●	●	●	●			●	●	●	●							
	146660/A		Gasket - Cover oil pump	2					●	●	●	●										
28	140046/C		Cover plate - oil pump	2	●	●	●	●	●	●	●	●	●	●								
29	145232	144936	Socket head screw M5	8	●	●	●	●	●	●	●	●	●	●								
30	500616/A		Spring cap	1											●	●	●	●				
31	500635/A		Key oil pump shaft	2											●	●	●	●				
32	500600/F		Oil pump drive shaft(oil pump spindle)	1											●	●	●	●				
33	500608/B		Spindle, Driven gear scavenge pump	1											●	●	●	●				
34	500605/1	500605/A	Driven gear, Scavenge pump	1											●	●	●	●				
35	500606/3		Drive gear, Scavenge pump	1											●	●	●	●				
36	500612/A		"O" Ring - Oil pump	2											●	●	●	●				

02-55 TIMING COVER

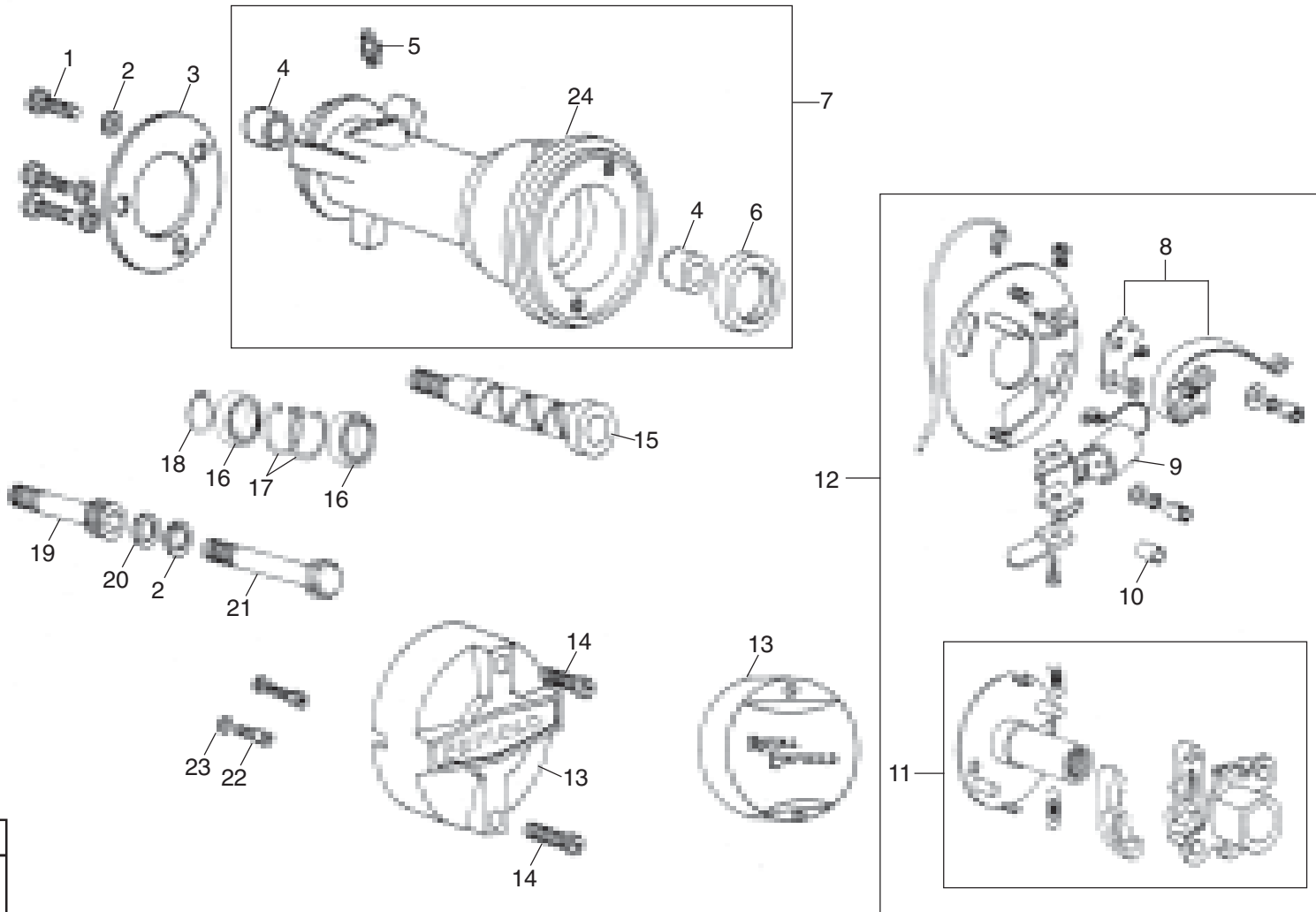


350,500,535



A350, A500, Thunderbird

03-10 DISTRIBUTOR



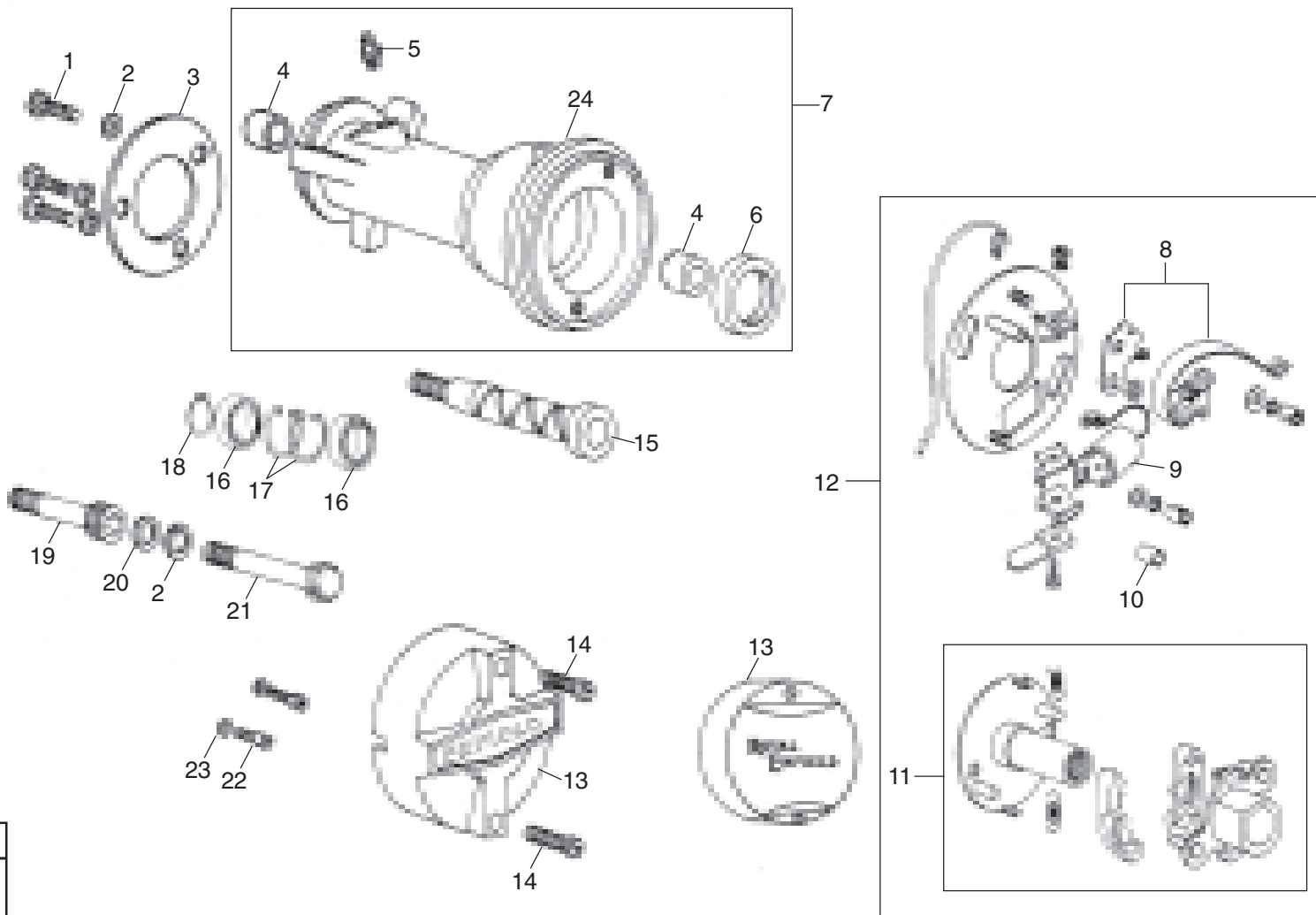
A1

Key Nos.
All Except: 1, 2, 3, 19

03-10 DISTRIBUTOR

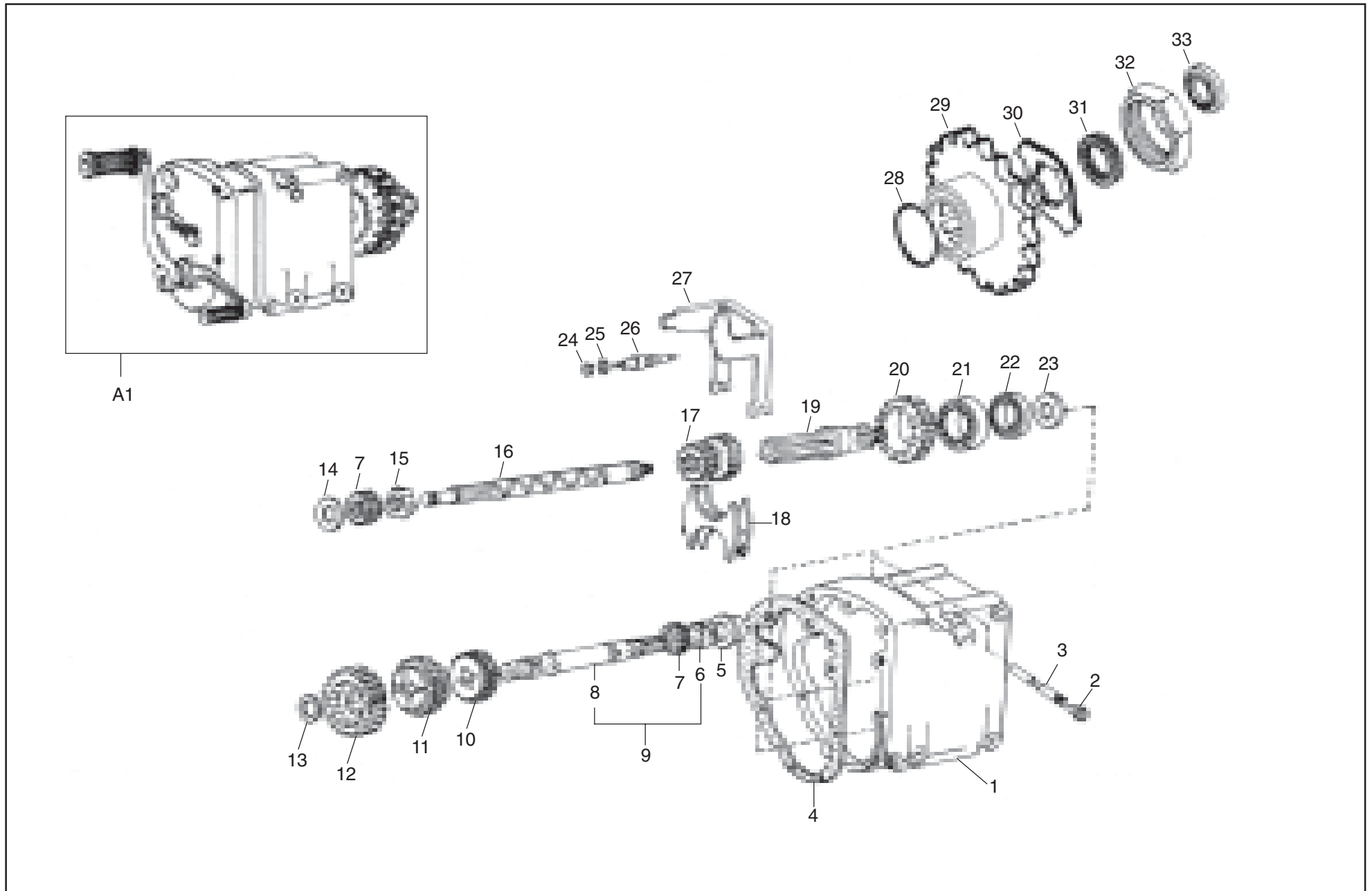
Key No.	Part Numbers		Description	Qty.	350								BU				Lightning		Bu Mach		T Bird		Remarks	MOQ
	New	Old			Std	Dlx	Mac	Cam	Elec 4S		Elec 5S		500	500	535	535	A350	A500	KS	ES				
								KS	ES	KS	ES				ES									
A1	144202		Distributor assembly	1	●	●	●	●																
	144478		Distributor assembly	1								●	●	●	●									
	140901		Distributor assembly - Army	1	●	●	●	●														Not Serviced		
1	140160/3	140160	Slotted raised screw CH.HD.Screw	3	●	●	●	●				●	●	●	●									
2	140129		Lock Washer Internal Teeth	4	●	●	●	●				●	●	●	●									
3	146848/A		Gasket distributor flange	1	●	●	●	●				●	●	●	●									
4	143630		Bush - Contact breaker shaft	2	●	●	●	●														Alternate No. 140905		
5	113049/2		Grease nipple	1	●	●	●	●				●	●	●	●									
6	150013		Oil seal - Contact breaker shaft	1	●	●	●	●																
	144483		Oil seal - Contact breaker shaft	1								●	●	●	●									
7	143872		Distributor body assembly	1	●	●	●	●																
	140903		Distributor body assembly - Army	1	●	●	●	●														Not Serviced		
8	140954		C.B Point set	1	●	●	●	●				●	●	●	●									
9	141812		Condenser	1	●	●	●	●				●	●	●	●									
10	140714		Snap on connector	1	●	●	●	●				●	●	●	●							LTD		
11	140915		Governor and cam set	1	●	●	●	●				●	●	●	●							Not Serviced		
12	141810		C.B Plate, Cam & Governor assembly	1	●	●	●	●																
	144146		C.B Plate, Cam & Governor assembly	1								●	●	●	●									
13	142476/A		C.B Cover ABS	1	●	●	●	●				●	●	●	●							Before Sept 2002		
	142746/B		C.B Cover Plated	1	●	●	●	●				●	●	●	●							After Sept 2002		
14	142121/A	142121	Screw - C.B. Cover	2	●	●	●	●				●	●	●	●									
15	141988/6		Shaft - Contact breaker	1	●	●	●	●																
	144480/5		Shaft - Contact breaker	1								●	●	●	●									
16	144481/2		CB Shaft bearing 6002	2								●	●	●	●									
17	143909		Circlip	2								●	●	●	●							LTD		
18	144482		Circlip	2								●	●	●	●							LTD		

03-10 DISTRIBUTOR



A1
Key Nos.
All Except: 1, 2, 3, 19

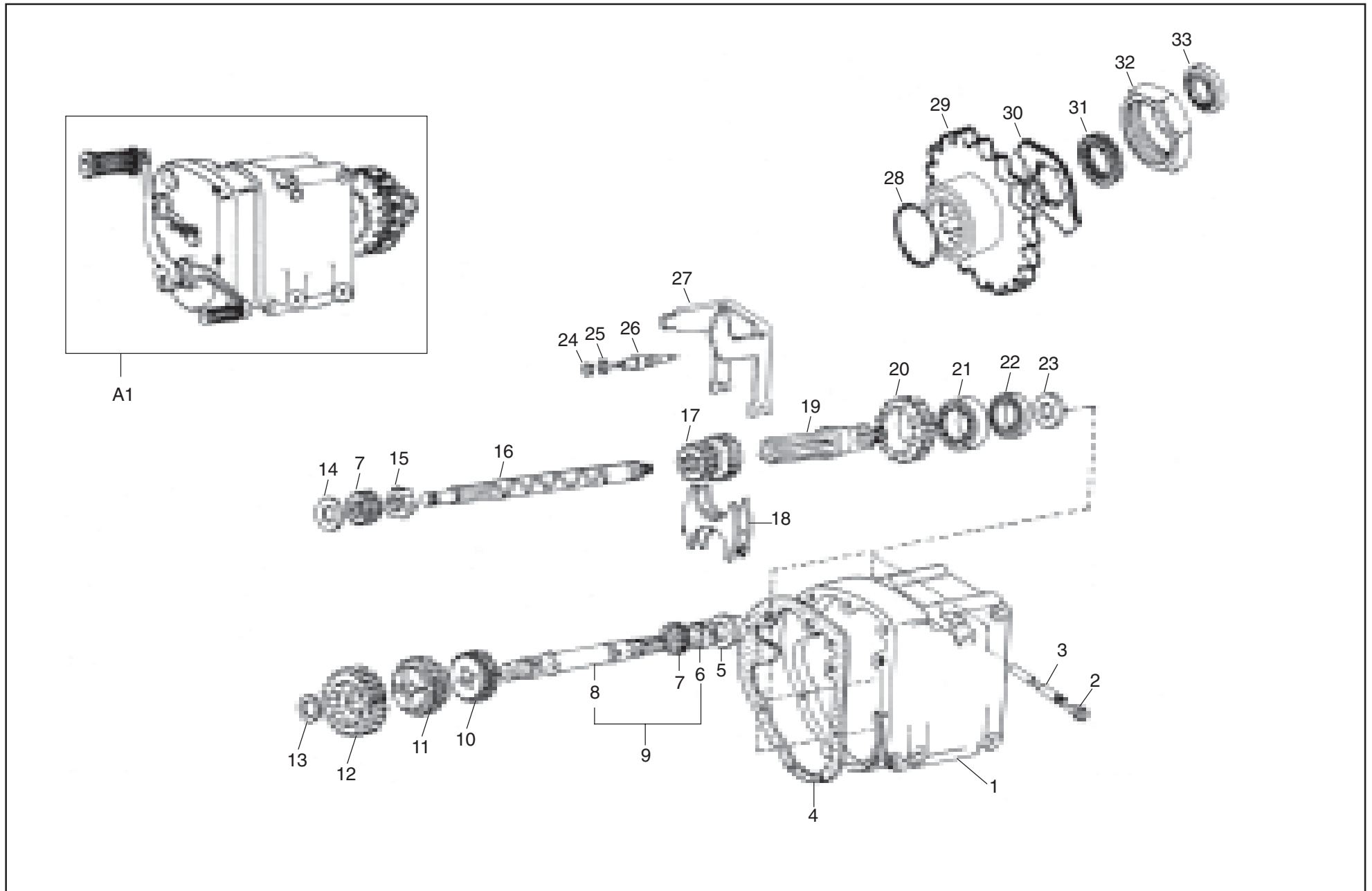
04-10 GEAR CASE AND GEARS - 4 SPEED



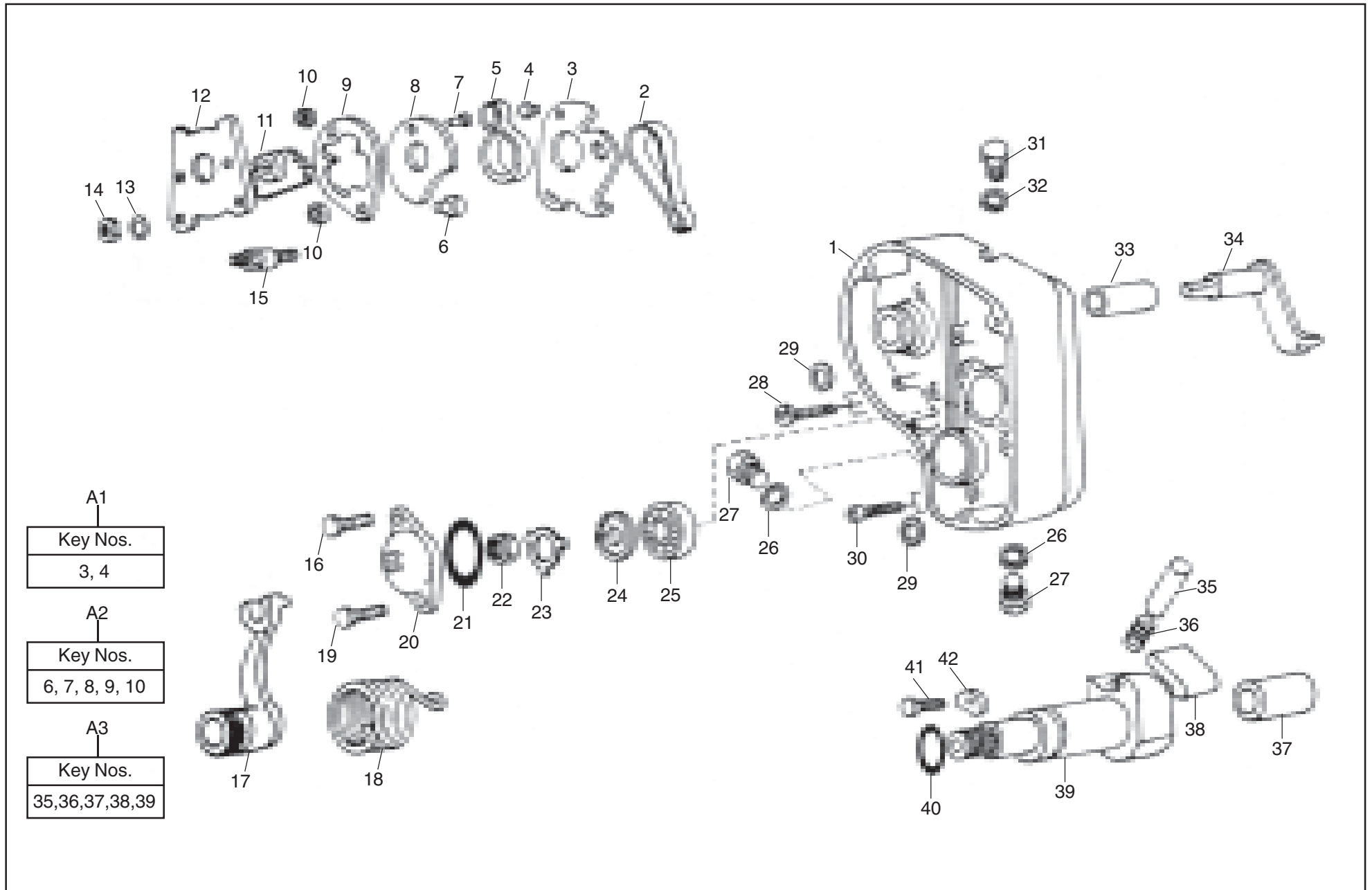
04-10 GEAR CASE AND GEARS - 4 SPEED

Key No.	Part Numbers		Description	Qty.	350								BU 500	Lightning				Bu Mach		T Bird		Remarks	MOQ
	New	Old			Std	Dlx	Mac	Cam	Elec 4S		Elec 5S			500	535	535 ES	A350	A500	KS	ES			
A1	597197/A		Gear box assy with clutch & 16T Spkt	1	●	●	●	●	●	●					●							1	
	142442		Gear box assy with clutch & 17T Spkt	1								●	●										1
	144702		Gear box assy with clutch & 18T Spkt	1									●	●									1
1	111050/11		Gear box case	1	●	●	●	●	●			●											1
	170177/3		Gear box case	1					●				●	●	●	●							1
2	111085/7		Bush - Gear operator pin	1	●	●	●	●	●	●		●	●	●	●	●							10
3	111084/14		Gear operator pin	1	●	●	●	●	●	●		●	●	●	●	●							10
4	146850/A		Gasket	1	●	●	●	●	●	●		●	●	●	●	●							5
5	111051/11		Layshaft bush - case end	1	●	●	●	●	●	●		●	●	●	●	●							1
6	111074/7		Bush - spindle - layshaft	1	●	●	●	●	●	●		●	●	●	●	●							1
7	111075/9		Main shaft gear pinion 15T	2	●	●	●	●	●	●		●	●	●	●	●							1
8	111073/D		Layshaft	1	●	●	●	●	●			●	●	●	●	●							1
9	111194/1		Layshaft Assy	1					●	●						●							1
10	111076/2		Layshaft II gear pinion 19T	1	●	●	●	●	●	●		●	●	●	●	●							1
11	111077/3		Layshaft III gear pinion 22T	1	●	●	●	●	●	●		●	●	●	●	●							1
12	111078/9		Layshaft ratchet pinion 25T	1	●	●	●	●	●	●		●	●	●	●	●							1
13	140334/A		Distance washer	1	●	●	●	●	●	●		●	●	●	●	●							20
14	111167/B		Oil thrower inner	1	●	●	●	●	●	●		●	●	●	●	●							5
15	111760/3		Top gear dog	1	●	●	●	●	●	●		●	●	●	●	●							1
16	111165/18		Main shaft	1	●	●	●	●	●	●		●	●	●	●	●							1
17	111069/9		Sliding gear 4 Speed 18T/21T	1	●	●	●	●	●	●		●	●	●	●	●							1
18	111079		Gear operator fork	1	●	●	●	●	●	●		●									Not Serviced		1
	170178/B		Gear operator fork	1	●	●	●	●	●	●		●	●	●	●	●							1
19	140335/C	140335/B	Sleeve, Main shaft	1	●	●	●	●	●	●		●	●	●	●	●							1
20	111070/7		Main shaft low gear pinion 25T	1	●	●	●	●	●	●		●	●	●	●	●							1
21	140753		Bearing 6206, Main shaft	1	●	●	●	●	●	●		●	●	●	●	●							1

04-10 GEAR CASE AND GEARS - 4 SPEED



04-15 GEAR BOX END COVER - 4 SPEED



A1

Key Nos.
3, 4

A2

Key Nos.
6, 7, 8, 9, 10

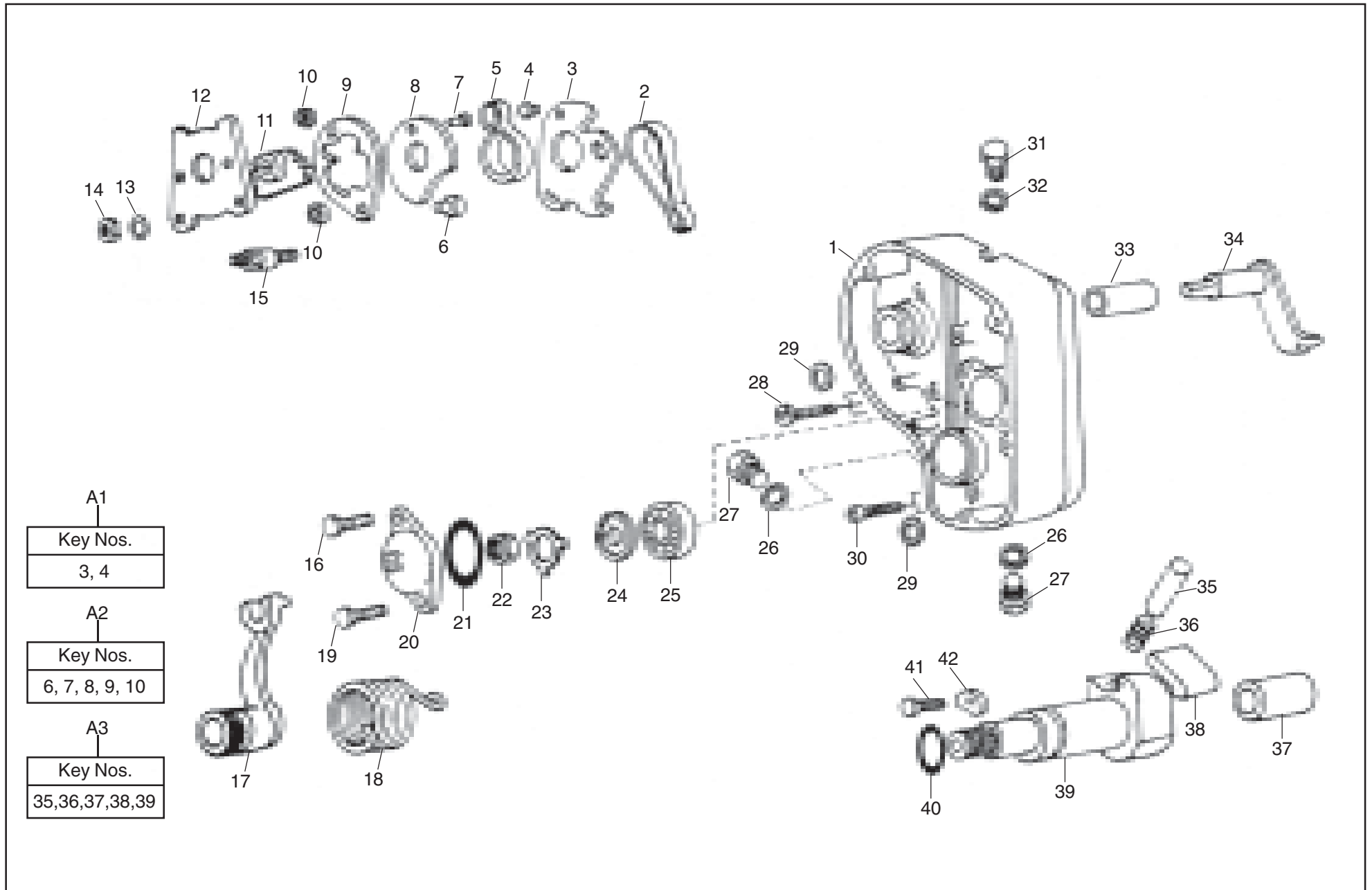
A3

Key Nos.
35,36,37,38,39

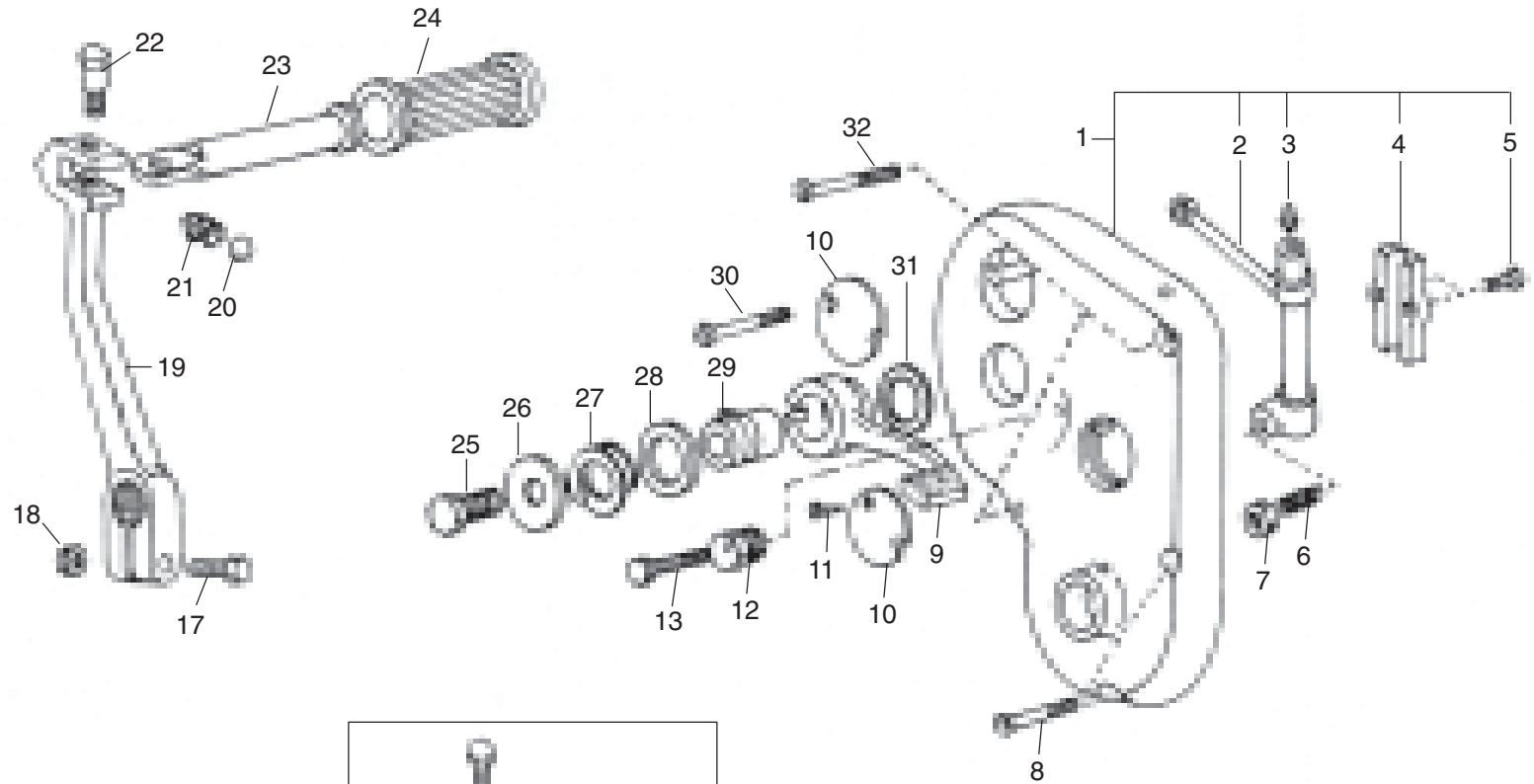
04-15 GEAR BOX END COVER - 4 SPEED

Key No.	Part Numbers		Description	Qty.	350								BU 500	Lightning				Bu Mach		T Bird		Remarks	MOQ
	New	Old			Std	Dlx	Mac	Cam	Elec 4S		Elec 5S			500	535	535 ES	A350	A500	KS	ES			
A1	111109/B		Adjuster plate assembly	1	●	●	●	●	●	●			●	●	●	●	●						
A2	111114/1		Ratchet outer assembly	1	●	●	●	●	●	●			●	●	●	●	●						
A3	111152/A	112024/B	Spindle assy, Foot starter	1	●	●	●	●	●	●			●	●	●	●	●						
1	144454		End cover, gear box	1	●	●	●	●	●	●			●	●	●	●	●			LTD			
2	140755/6		Spring, Foot control lever	1	●	●	●	●	●	●			●	●	●	●	●						
3	111108/2		Adjuster plate, Foot Control	1	●	●	●	●	●	●			●	●	●	●	●			Not Serviced			
4	111110/B		Pin, Spring stop	1	●	●	●	●	●	●			●	●	●	●	●			Not Serviced			
5	111113/B		Spring, Ratchet	1	●	●	●	●	●	●			●	●	●	●	●				10		
6	111119/B		Pin, Ratchet operating	1	●	●	●	●	●	●			●	●	●	●	●			Not Serviced			
7	111117/G		Pin, Spring stop	1	●	●	●	●	●	●			●	●	●	●	●				1		
8	111116/B		Plate, Foot control	1	●	●	●	●	●	●			●	●	●	●	●			Not Serviced			
9	111115/2		Ratchet outer	1	●	●	●	●	●	●			●	●	●	●	●			Not Serviced			
10	111118/B		Bush	2	●	●	●	●	●	●			●	●	●	●	●				1		
11	110253/A		Ratchet inner	1	●	●	●	●	●	●			●	●	●	●	●				1		
12	111120/2		Stop plate, Foot control	1	●	●	●	●	●	●			●	●	●	●	●				1		
13	150209		Washer	2	●	●	●	●	●	●			●	●	●	●	●				1		
14	140369/1		Nut	2	●	●	●	●	●	●			●	●	●	●	●				1		
15	111159/B		Pin, Adjuster plate	2	●	●	●	●	●	●			●	●	●	●	●				1		
16	111102		Bolt, Bearing cap	1	●	●	●	●	●	●			●	●	●	●	●				50		
17	110263/10		Foot control lever, Short	1	●	●	●	●	●	●			●	●	●	●	●				1		
18	146450/B		Spring, kicker shaft	1	●	●	●	●	●	●			●	●	●	●	●				1		
19	111103		Bolt, Bearing cap	1	●	●	●	●	●	●			●	●	●	●	●				50		
20	145148/C	145148/A	Cap, Ball bearing	1	●	●	●	●	●	●			●	●	●	●	●				1		
21	144981/B		O Ring	1	●	●	●	●	●	●			●	●	●	●	●				1		
22	111093/4		Nut, LH thread	1	●	●	●	●	●	●			●	●	●	●	●				1		
23	111092/C		Lock washer	1	●	●	●	●	●	●			●	●	●	●	●				1		

04-15 GEAR BOX END COVER - 4 SPEED

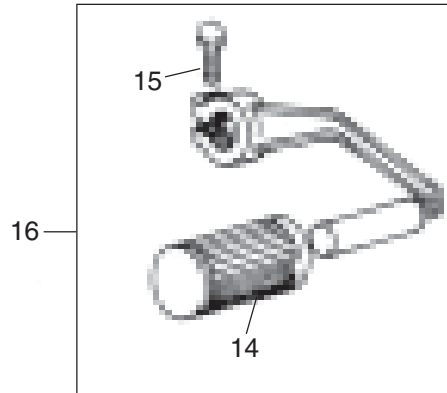


04-20 FOOT CONTROL SYSTEM - 4 SPEED



A1

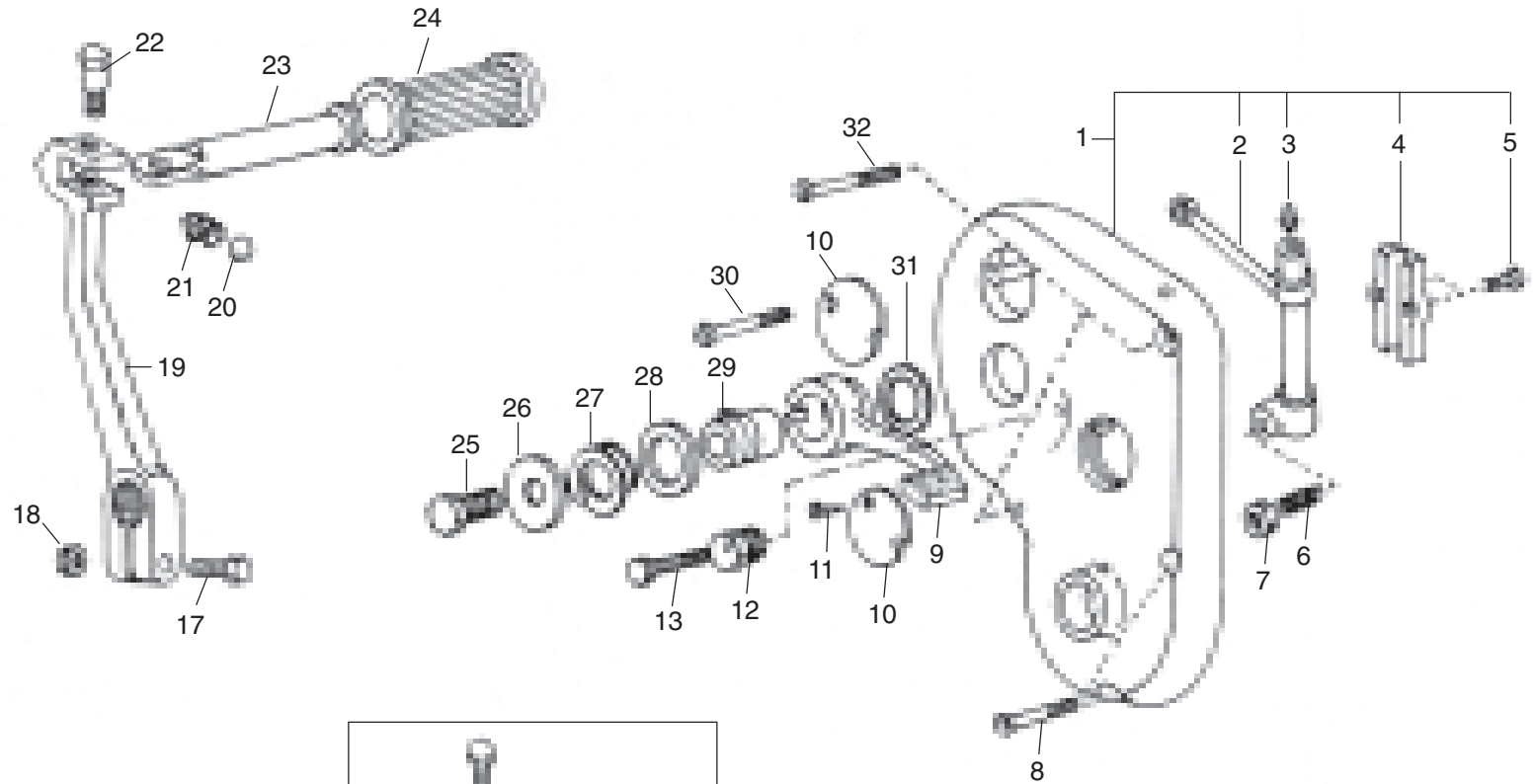
Key Nos.
17 to 24



04-20 FOOT CONTROL SYSTEM - 4 SPEED

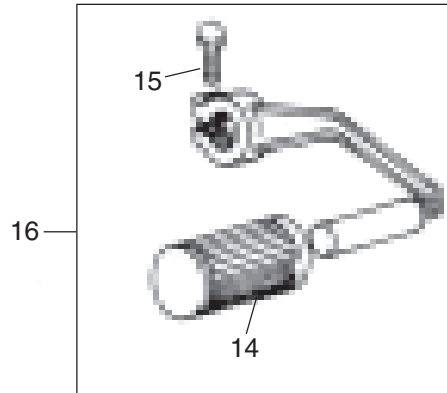
Key No.	Part Numbers		Description	Qty.	350								BU 500	Lightning				Bu Mach		T Bird		Remarks	MOQ
	New	Old			Std	Dlx	Mac	Cam	Elec 4S		Elec 5S			500	535	535 ES	A350	A500	KS	ES			
A1	112024/B		Kick starter lever assembly	1	●	●	●	●	●	●			●	●	●	●	●						
1	111122		Foot control cover assembly	1	●	●	●	●	●	●			●	●	●	●	●						
2	140336		Clutch lever	1	●	●	●	●	●	●			●	●	●	●	●						
3	113049/2		Grease nipple	1	●	●	●	●	●	●			●	●	●	●	●						
4	111124		Bearing cap, clutch lever	1	●	●	●	●	●	●			●	●	●	●	●						
5	111102		Bolt	2	●	●	●	●	●	●			●	●	●	●	●						
6	140330/6		Adjuster assembly	1	●	●	●	●	●	●			●	●	●	●	●						
7	150323/B		Lock Nut	1	●	●	●	●	●	●			●	●	●	●	●						
8	111054/3	111054	Screw, short	2	●	●	●	●	●	●			●	●	●	●	●						
9	110255/6		Netural lever	1	●	●	●	●	●	●			●	●	●	●	●						
10	111128/C		Inspection cap	2	●	●	●	●	●	●			●	●	●	●	●						
11	111129		Screw	1	●	●	●	●	●	●			●	●	●	●	●					LTD	
12	111107		Bush, Eccentric	1	●	●	●	●	●	●			●	●	●	●	●					Alternate No. 145245/1	
13	111103		HEX.BOLT, 1/4"BSW X 1"	1	●	●	●	●	●	●			●	●	●	●	●						
14	146640/A		Rubber sleeve, Gear lever	1	●	●	●	●	●	●			●	●	●	●	●					Before April 2000	
	550507/A		Rubber sleeve, Gear lever	1	●	●	●	●	●	●			●	●	●	●	●					After April 2000	
15	142291		Bolt	1	●	●	●	●	●	●			●	●	●	●	●						
16	143745/2		Foot change lever assembly	1	●	●	●	●	●	●			●	●	●	●	●						
17	111914		Bolt	1	●	●	●	●	●	●			●	●	●	●	●						
18	141051		Nut	1	●	●	●	●	●	●			●	●	●	●	●						
19	112024/B		Kick starter crank	1	●	●	●	●	●	●			●	●	●	●	●						
20	140201		Ball 1/4"	1	●	●	●	●	●	●			●	●	●	●	●					Not Serviced	
21	151592		Spring	1	●	●	●	●	●	●			●	●	●	●	●					LTD	
22	143199/B		Pivot pin	1	●	●	●	●	●	●			●	●	●	●	●					Not Serviced	
23	112020		Pedal, kick starter	1	●	●	●	●	●	●			●	●	●	●	●						

04-20 FOOT CONTROL SYSTEM - 4 SPEED

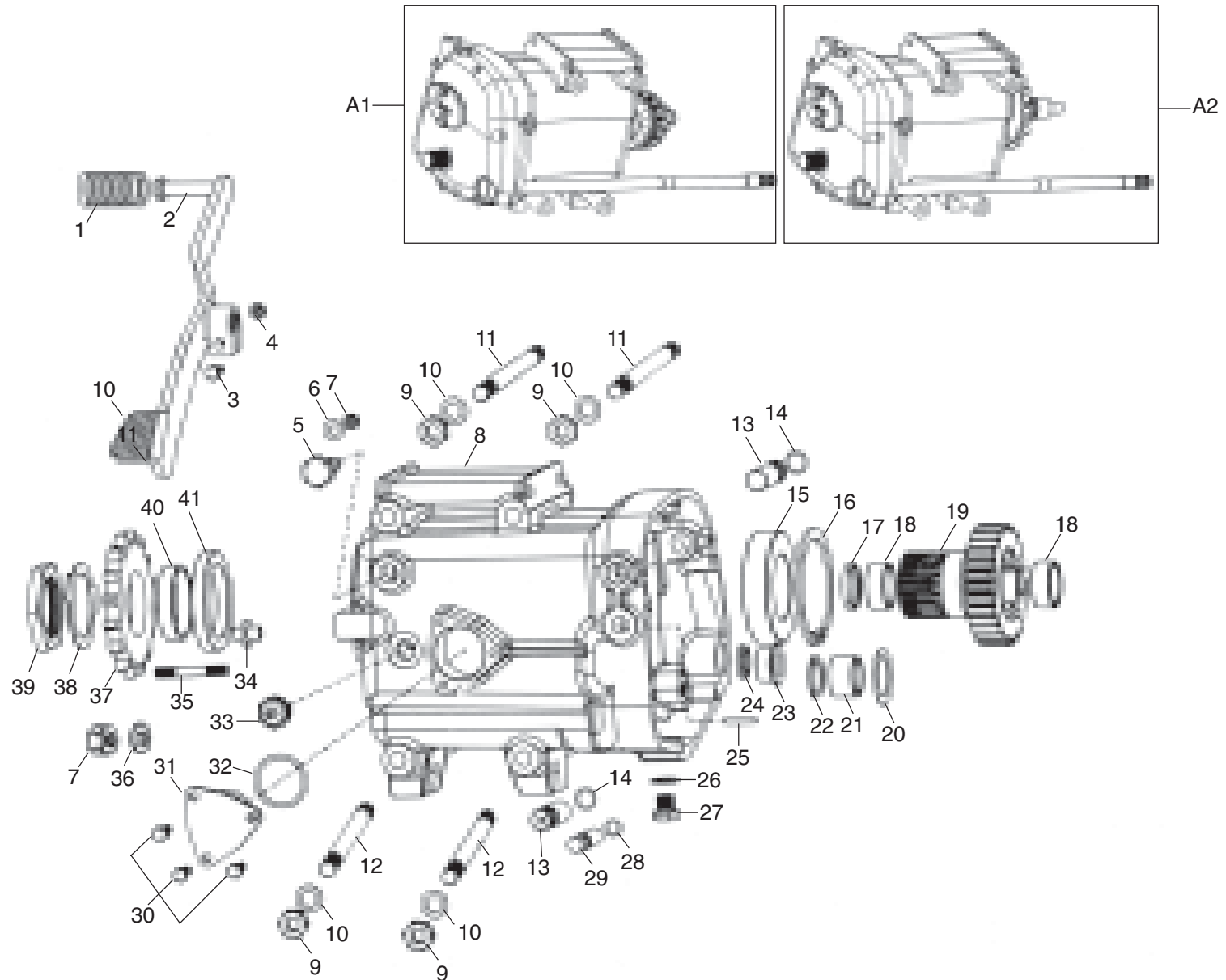


A1

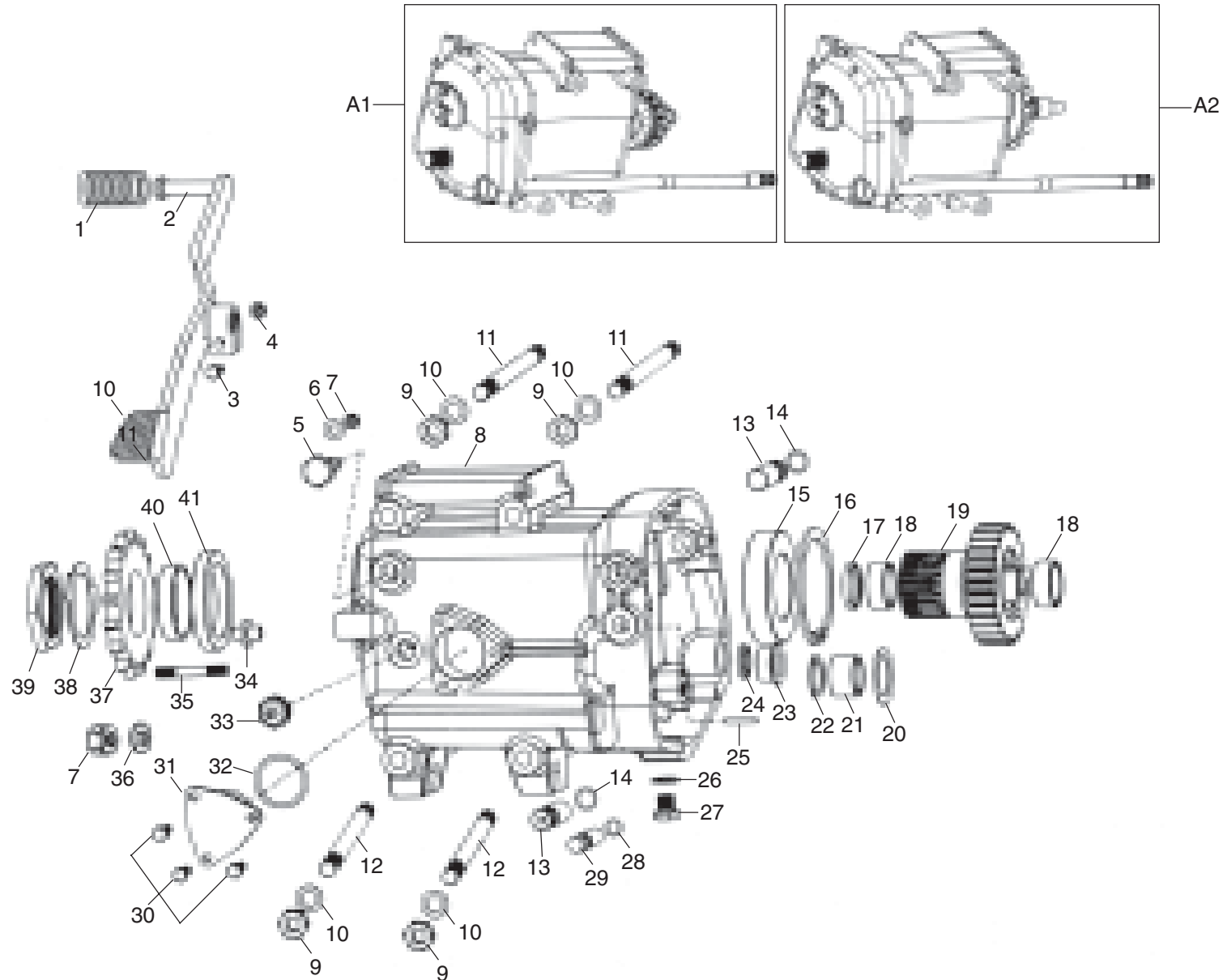
Key Nos.
17 to 24



04-25 GEAR BOX CASING - 5 SPEED



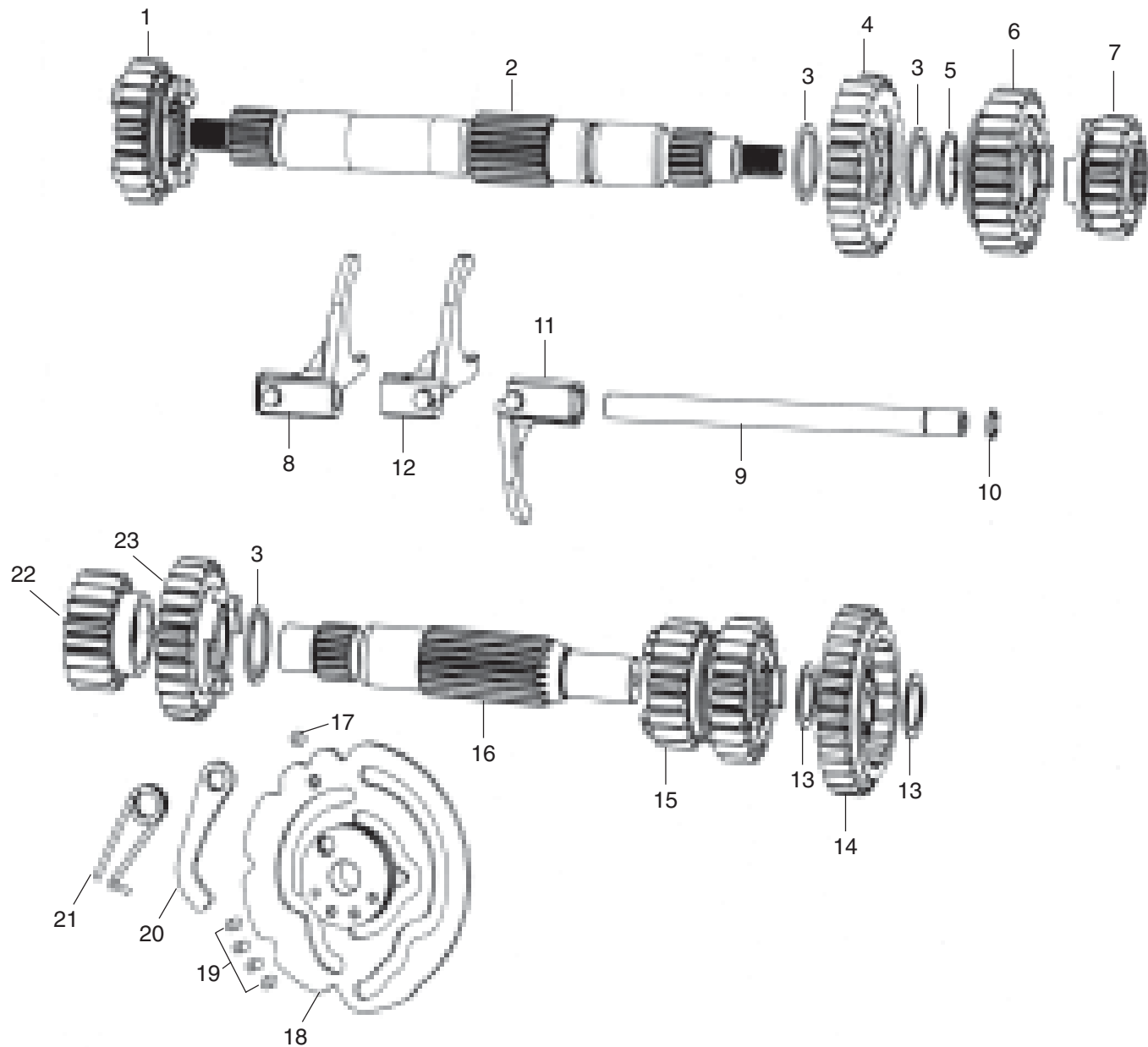
04-25 GEAR BOX CASING - 5 SPEED



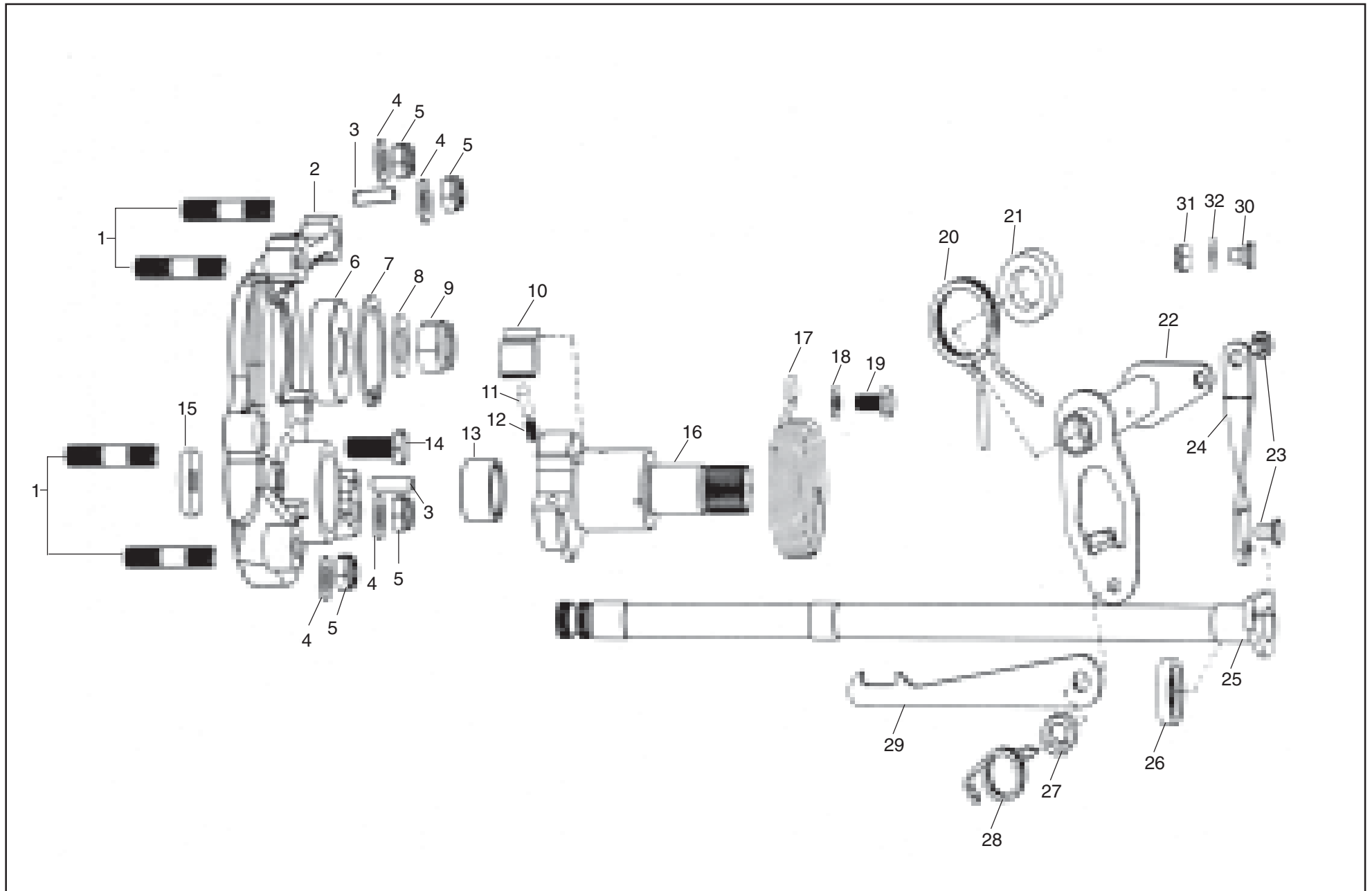
04-25 GEAR BOX CASING - 5 SPEED

Key No.	Part Numbers		Description	Qty.	350								BU 500	Lightning			Bu Mach		T Bird		Remarks	MOQ
	New	Old			Std	Dlx	Mac	Cam	Elec 4S KS ES	Elec 5S KS ES	500	500		535	535 ES	A350	A500	KS	ES			
22	550028		Circlip	1													•	•	•	•		10
23	550061/B		Bush	1													•	•	•	•		1
24	550102/A		Oil seal	1													•	•	•	•		1
25	550185		Cylindrical pin	1													•	•	•	•	LTD	50
26	550191/A		Washer, Aluminium	1													•	•	•	•	LTD	1
27	550089/E		Drain plug	1													•	•	•	•		10
28	550112		"O" Ring	1													•	•	•	•		50
29	550092/B	550237/B	Pin, Pivot	1													•	•	•	•	LTD	10
30	550139		Screw M5 x 15	3													•	•	•	•		50
31	550144/E		Pivot, Camplate	1													•	•	•	•		1
32	550140		"O" Ring	1													•	•	•	•		14
33	146351/B		Switch, Neutral indicator	1																		2
	170180/2		Switch, Neutral indicator	1													•	•				4
34	550123/A		Dowel	1													•	•	•	•	LTD	1
35	550122/A		Stud	1													•	•	•	•	LTD	14
36	144636/A		Copper washer	1													•	•	•	•		20
37	550126/C		Sprocket 16 T	1													•		•	•		1
	550128/C		Sprocket 18 T	1														•				1
38	550132/C		Tab washer	1													•	•	•	•		18
39	550131/A		Nut	1													•	•	•	•		5
40	550130/B		Distance piece	1													•	•	•	•		1
41	550137		Oil seal	1													•	•	•	•		5

04-30 GEARS & SELECTOR FORKS - 5 SPEED



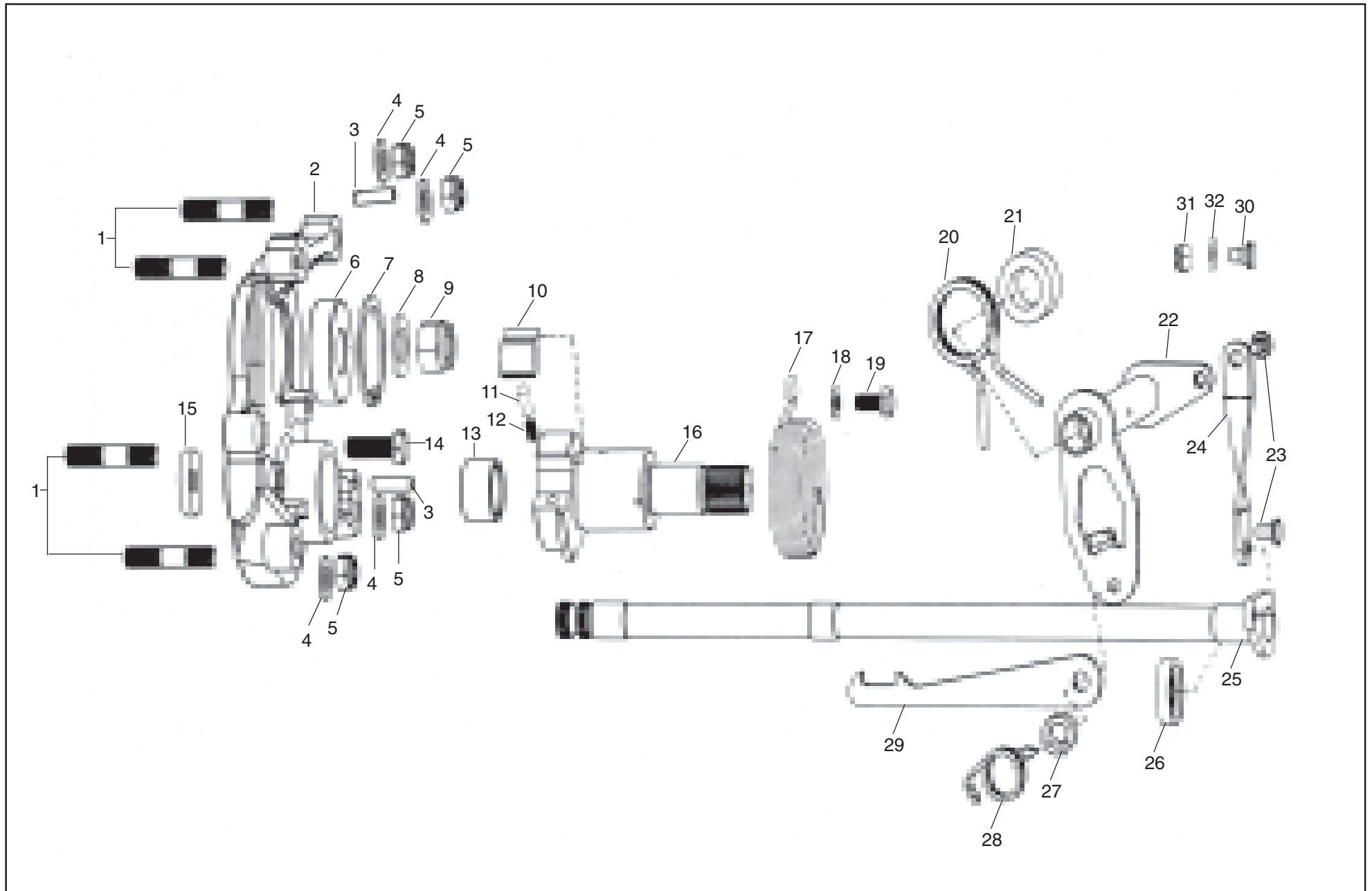
04-35 CARRIER PLATE & GEAR LEVER SHAFT - 5 SPEED



04-35 CARRIER PLATE & GEAR LEVER SHAFT - 5 SPEED

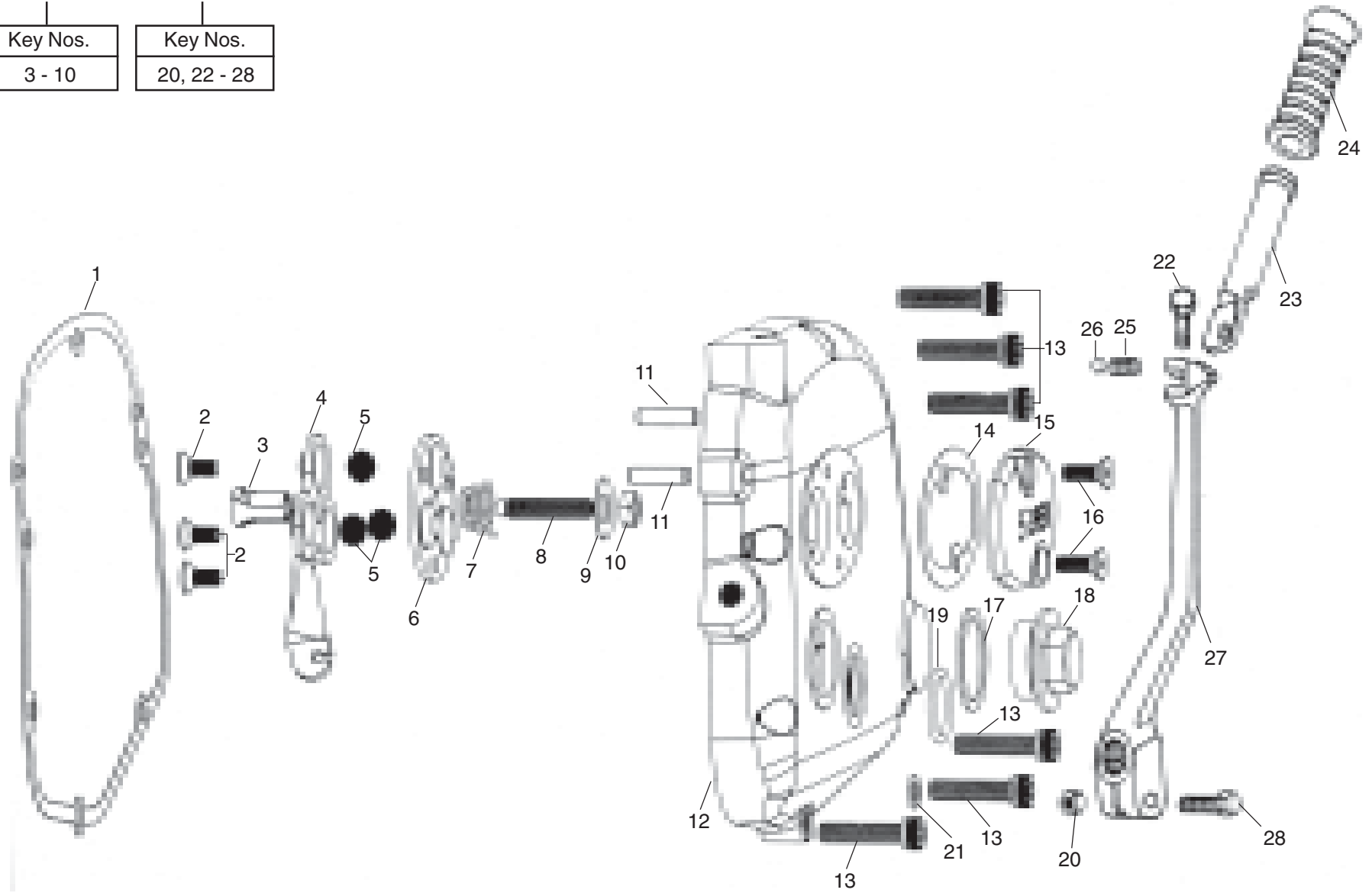
Key No.	Part Numbers		Description	Qty.	350								BU 500	Lightning			Bu Mach		T Bird		Remarks	MOQ
	New	Old			Std	Dlx	Mac	Cam	Elec 4S KS ES	Elec 5S KS ES	500	500		535	535 ES	A350	A500	KS	ES			
1	550042/B		Stud	4													●	●	●	●		1
2	550003/D		Carrier plate	1													●	●	●	●		1
3	550094/B	550094/A	Dowel	2													●	●	●	●		20
4	140080/2	550044	Plain Washer	4													●	●	●	●		50
5	550043		Nut Nylock	4													●	●			LTD	14
	142182		Nut Nylock	4															●	●		30
6	110965		Bearing 6203 C3	1													●	●	●	●		1
7	550037		Circlip, Internal	1													●	●	●	●		10
8	550026		Washer, Plain	1																		1
	145708/A		Washer, Plain 12MM	1													●	●				14
9	550025		Nut Nylock	1															●	●		10
	550524		Nut Nylock	1													●	●	●	●		10
10	140333/B		Pawl	1													●	●	●	●		1
11	140332/B	140332	Plunger	1													●	●	●	●		10
12	140331/A	140331	Spring, Plunger	1													●	●	●	●		100
13	550032/A	550032	Needle bearing	1													●	●	●	●		1
14	146714/A	146714/1	Screw M8 x 25	1													●	●	●	●		50
15	142257		Stop plate	1													●	●	●	●		5
16	550251/A		Kick starter shaft	1													●	●	●	●		1
17	146450/B		Spring, Kick starter	1													●	●	●	●		5
18	550087		Washer, Plain	1													●	●	●	●		1
19	145090		Hex screw M6	1													●	●	●	●		20
20	550072/B		Spring - Gear Rocker	1													●	●	●	●		10
21	550068/B		Spacer - Rocker	1													●	●	●	●		5
22	550067/E	550067/C	Rocket shaft assy	1													●	●	●	●		1
23	550071	550239/A	Pin, Pivot	2													●	●	●	●		10

04-35 CARRIER PLATE & GEAR LEVER SHAFT - 5 SPEED



04-40 END COVER - 5 SPEED

A1	A2
Key Nos.	Key Nos.
3 - 10	20, 22 - 28

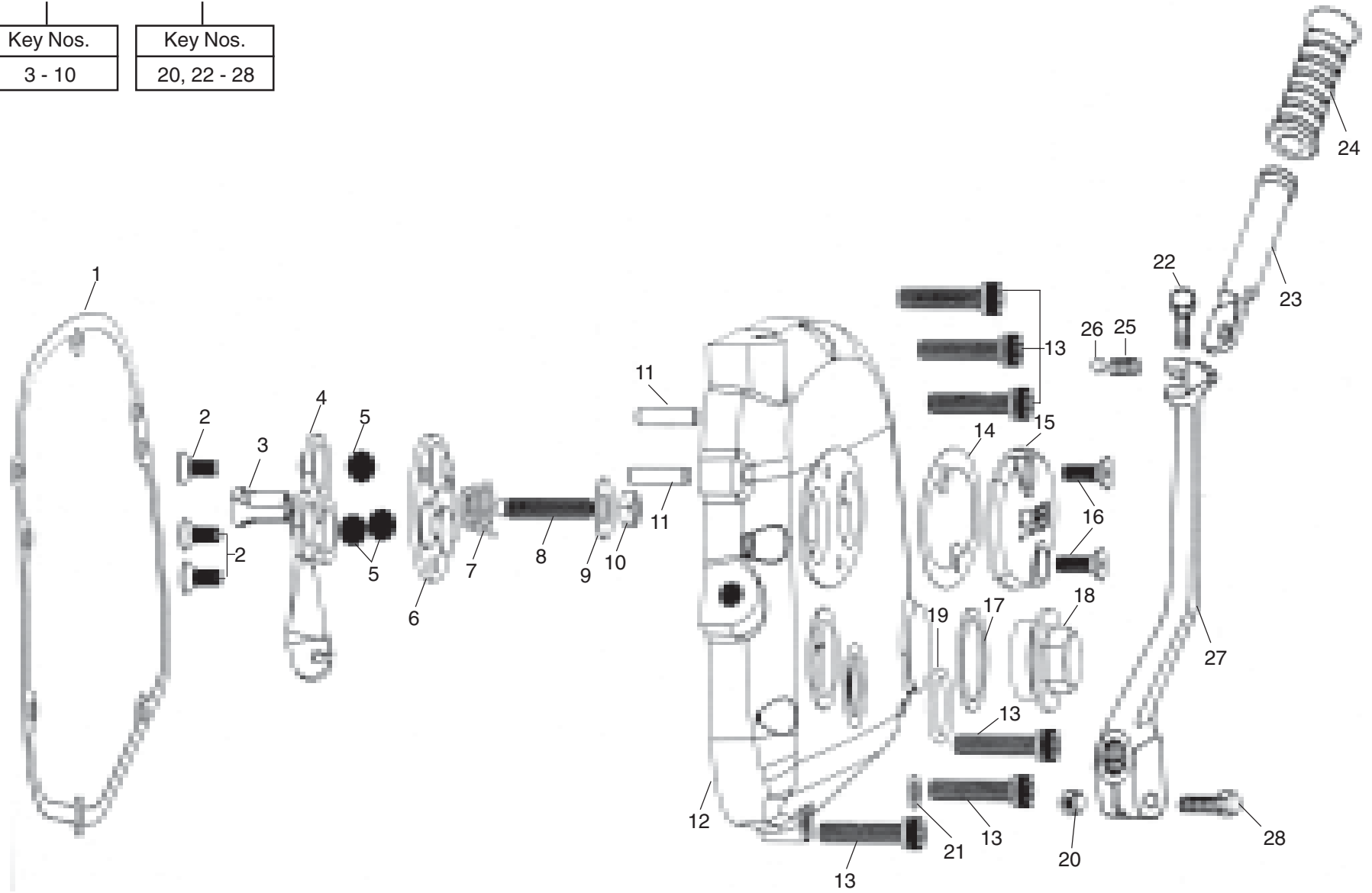


04-40 END COVER - 5 SPEED

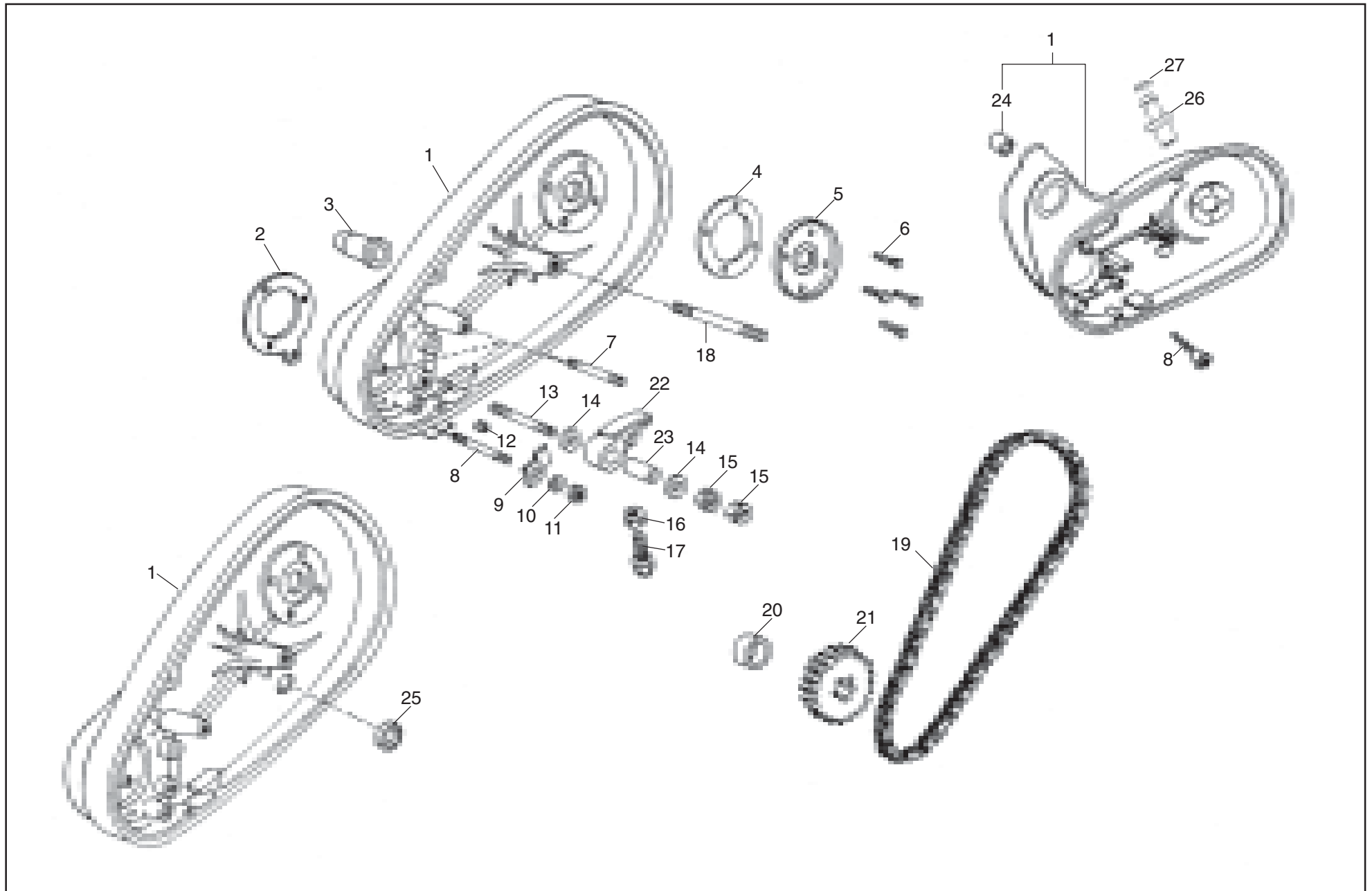
Key No.	Part Numbers		Description	Qty.	350								BU 500	Lightning			Bu Mach		T Bird		Remarks	MOQ
	New	Old			Std	Dlx	Mac	Cam	Elec 4S KS ES	Elec 5S KS ES	500	500		535	535 ES	A350	A500	KS	ES			
A1	550512/A		Assy., Clutch operating	1													●	●	●	●		1
A2	550252/A		Kick starter crank assy	1													●	●	●	●		1
1	550244/A		Gasket (gasket end cover)	1													●		●	●		5
	550233/A		Gasket (gasket end cover)	1														●				
2	550138		Socket head screw M5 x 12	3													●	●	●	●	LTD	10
3	550051/B		Sleeve	1													●	●	●	●		1
4	550187/B		Lever, Clutch operating	1															●	●	Not Serviced	1
5	550101		Ball 3/8"	3													●	●	●	●	Not Serviced	1
6	550046/C		Reation plate	1													●	●	●	●	Not Serviced	1
7	550050/B		Spring	1													●	●	●	●	LTD	1
8	550047/E		Pin, Thrust	1																		1
	550523/B	550523	Pin, Thrust	1													●	●	●	●		1
9	550049/B		Washer	1													●	●	●	●		1
10	550048/B	550048	Hex nut M6	1													●	●	●	●		1
11	550094/B	550094/A	Dowel	2													●	●	●	●		20
12	813025	550002	End cover	1													●	●	●	●	Alternate No. 550186/F	1
13	550095		Allen screw M6	5													●	●	●	●		10
14	550245/B	550245/A	Gasket	1															●	●		1
	550232/B		Gasket	1													●	●				1
15	813022		Cover, Inspection - GB Silver Ash	1															●	●		1
	550096/B		Cover, Inspection	1													●	●	●	●		1
16	550097		Socket head screw M5 x 15	2													●	●	●	●		10
17	144920/A		Washer, Fiber	1															●	●		40
	550181		Sealing washer, Aluminium	1													●	●	●	●	LTD	1
18	550194/C	550194/B	Plug	1													●	●	●	●		2
19	550031		"O" Ring	1													●	●	●	●		40

04-40 END COVER - 5 SPEED

A1	A2
Key Nos.	Key Nos.
3 - 10	20, 22 - 28



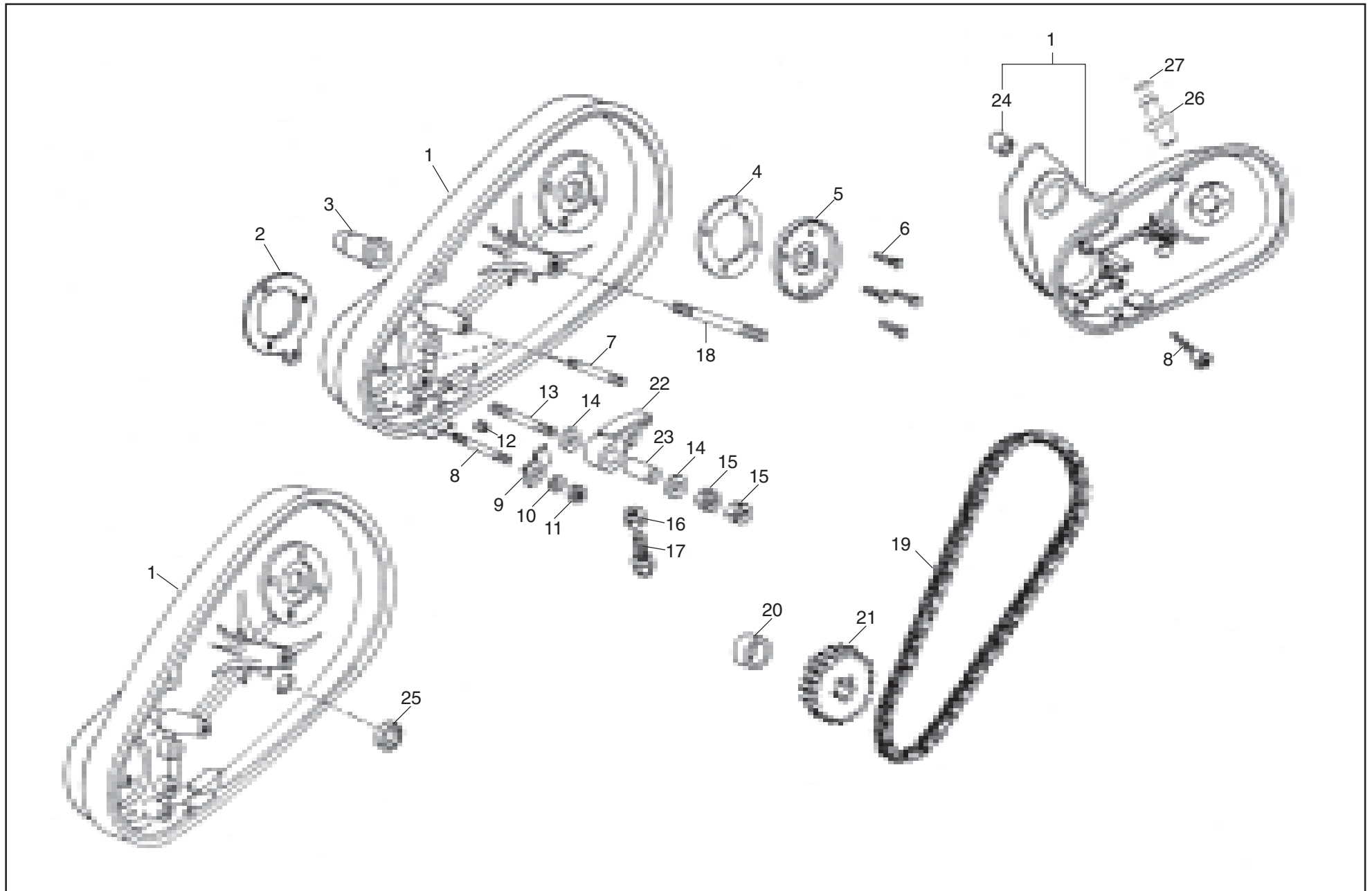
04-45 CHAINCASE INNER



04-45 CHAINCASE INNER

Key No.	Part Numbers		Description	Qty.	350								BU 500	Lightning			Bu Mach		T Bird		Remarks	MOQ
	New	Old			Std	Dlx	Mac	Cam	Elec 4S KS	ES	Elec 5S KS	ES		500	535	535 ES	A350	A500	KS	ES		
1	111889		Chain case inner (Inches)	1	●	●	●	●					●						Before Mar 2002	1		
	145166/2		Chain case inner (Metric)	2	●	●	●	●					●						After Mar 2002	1		
	502028/A		Chain case inner	1					●											1		
	502025/B		Chain case inner	1						●			●							1		
	502029/A		Chain case inner	1														●		1		
	502033/C		Chain case inner	1											●	●		●		1		
	502034		Chain case inner	1									●						Not Serviced	1		
	500918		Chain case inner	1											●				LTD	1		
	170289		Chain case inner (Inches)	1									●	●					Before Mar 2002	1		
	145167/1		Chain case inner (Metric)	1									●	●					After Mar 2002	1		
	560112/A		Chain case inner assy	1										●						1		
	510946/G		Chain case inner	1														●		1		
	2	144621/A	144621	Gasket, crankcase to chaincase	1	●	●	●	●					●	●	●					1	
146546/A			Gasket, crankcase to chaincase	1					●	●	●	●								4		
560052			Gasket, crankcase to chaincase	1										●			●	●	LTD	5		
146854/B			Gasket, crankcase to chaincase	1											●					5		
560615/B			Gasket, crankcase to chaincase	1												●				1		
3	144752/D		Grommet	1	●	●	●	●					●	●	●					1		
	500940/A	500940	Grommet	1					●							●		●	LTD	1		
4	144624		Gasket oil seal adaptor	1	●	●	●	●					●	●	●	●			Not Serviced	1		
	146844/A		Gasket oil seal adaptor	1					●	●	●	●								10		
	550190/C		Gasket oil seal adaptor	1														●		10		
	550243/A		Gasket oil seal adaptor	1											●		●	●		1		
	550234/B		Gasket oil seal adaptor	1												●				1		
5	111888/A		Oil seal adaptor	1	●	●	●	●					●	●	●					1		
	550116/A		Oil seal adaptor	1					●	●	●	●				●	●	●	●	14		

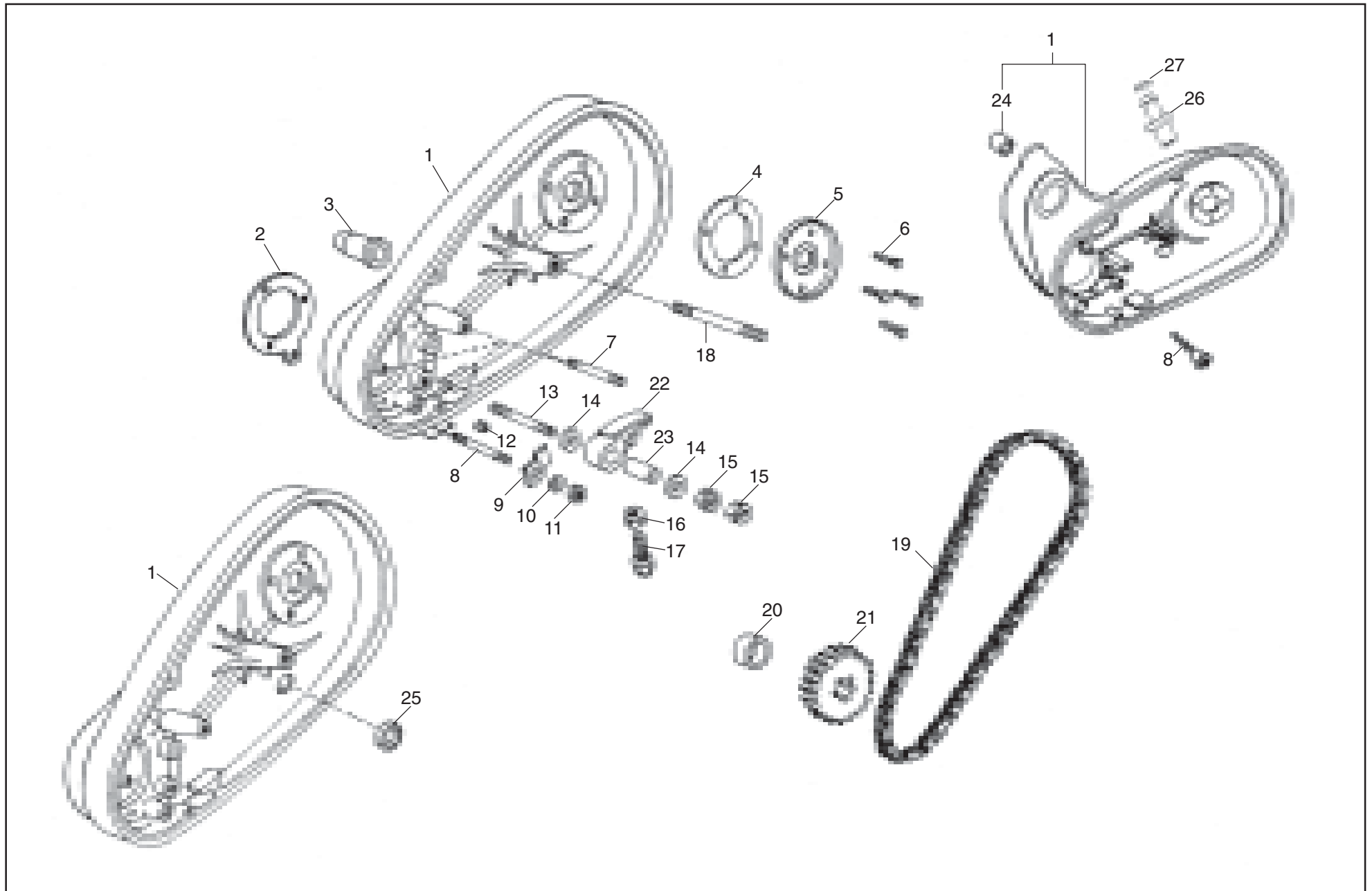
04-45 CHAINCASE INNER



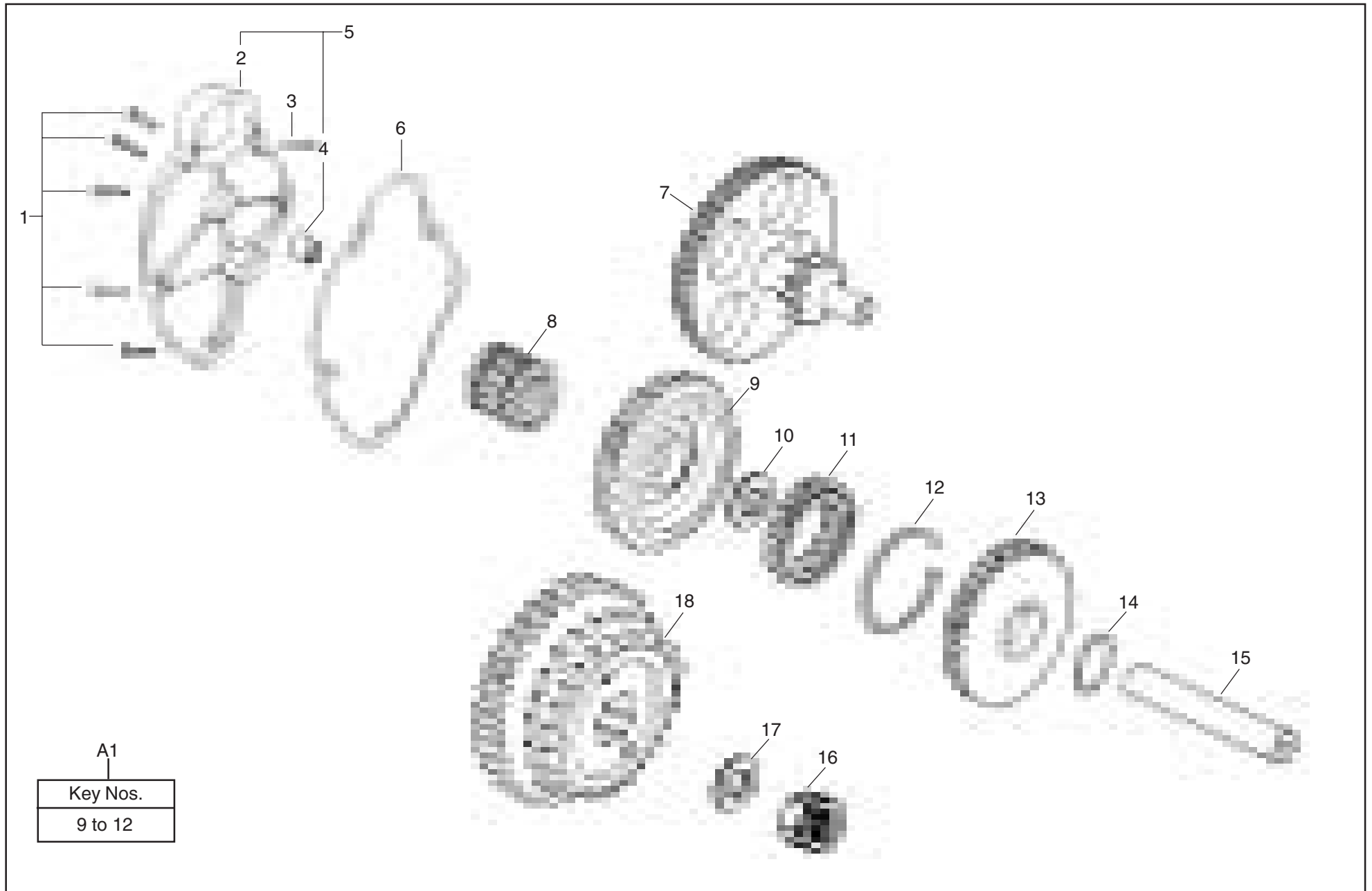
04-45 CHAINCASE INNER

Key No.	Part Numbers		Description	Qty.	350								BU 500	Lightning			Bu Mach		T Bird		Remarks	MOQ
	New	Old			Std	Dlx	Mac	Cam	Elec 4S KS	ES	Elec 5S KS	ES		500	535	535 ES	A350	A500	KS	ES		
6	140290/3		Screw - Oil seal adaptor	4	●	●	●	●					●	●	●	●	●					20
	145184/B		Screw - Oil seal adaptor	4					●	●	●	●					●	●	●	●		20
7	111334/6		Stud - Stator fixing	3	●	●	●	●					●	●	●	●						1
	500919/C		Stud - Stator fixing	3					●	●	●	●					●			●		1
8	140312		Stud - Chaicase fixing (Inches)	3	●	●	●	●	●				●	●	●		●			●	Not Serviced	1
	144286/A		Stud - Chaicase fixing (Metric)	3	●	●	●	●	●				●	●	●		●			●	After May 2000	14
	560019/A		Hex socket screw	3					●	●	●	●			●	●	●	●	●	●		5
9	111866/B		Retainer - Crankcase	3	●	●	●	●	●				●	●	●		●			●		40
10	140147		Washer - Shake proof	3	●	●	●	●	●				●	●	●		●			●		40
11	140079/5		Nut - Chaincase fixing (Inches)	3	●	●	●	●	●				●	●	●		●			●	Before May 2000	1
	141051		Nut - Chaincase fixing (Metric)	3	●	●	●	●	●				●	●	●		●			●	After May 2000	40
12	140278/A		Dowel pin, chain case	1	●	●	●	●	●	●	●	●	●	●	●	●	●	●		●		30
13	141245/1		Stud - Chain tensioner (Inches)	1	●	●	●	●					●	●	●	●					Before May 2000	10
	144287/A		Stud - Chain tensioner (Metric)	1	●	●	●	●					●	●	●	●					After May 2000	10
	500963/C		Stud - Chain tensioner	1					●	●	●	●					●	●	●	●		6
14	140437/1		Washer	2	●	●	●	●	●	●	●	●	●	●	●	●	●	●	●	●		100
15	140191/2		Nut (Inches)	2	●	●	●	●	●				●	●	●	●					Before May 2000	1
	141051		Nut (Metric)	2	●	●	●	●	●	●	●	●	●	●	●	●	●	●	●	●	After May 2000	40
16	120521		Nut	1	●	●	●	●	●	●	●	●	●	●	●	●	●	●	●	●		40
17	110201/B	110201/A	Screw - Adjusting	1	●	●	●	●	●	●	●	●	●	●	●	●	●	●	●	●		20
18	140277		Stud, chain case cover fixing (Inches)	1	●	●	●	●					●								Before Mar 2002	1
	145163/A		Stud, chain case cover fixing (Metric)	1	●	●	●	●					●								LTD	1
	170370		Stud, chain case cover fixing (Inches)	1					●				●	●	●	●				●	Not Serviced	1
	170548/A		Stud, chain case cover fixing (Metric)	1					●				●	●	●	●				●	LTD	5
19	113007		Chain Duplex	1	●	●	●	●	●	●	●	●	●	●	●	●	●	●	●	●		1
20	110056/B		Distance piece - Engine sprocket	1	●	●	●	●	●	●	●	●	●	●	●	●	●	●	●	●		5

04-45 CHAINCASE INNER

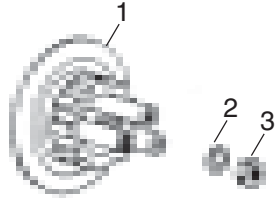


04-50 DRIVE COVER & SPRAG CLUTCH ASSEMBLY

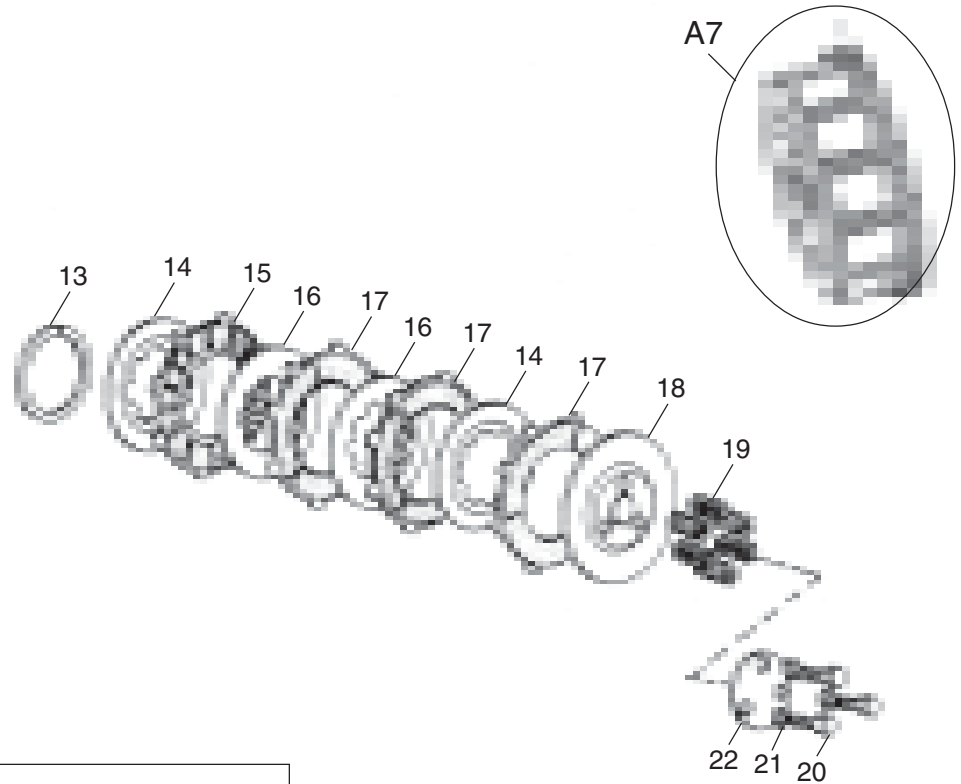
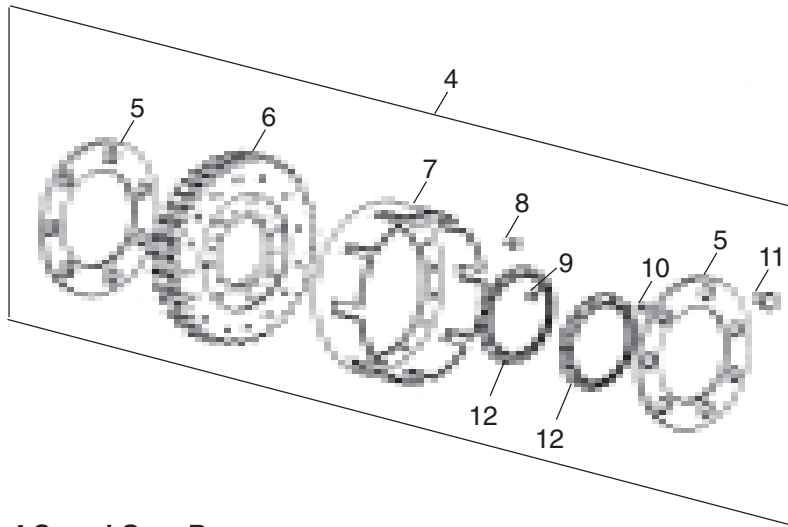


A1
Key Nos.
9 to 12

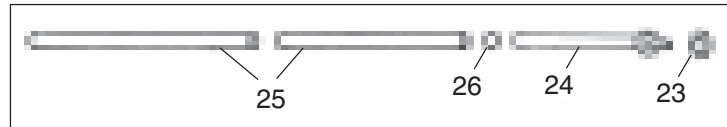
04-55 CLUTCH



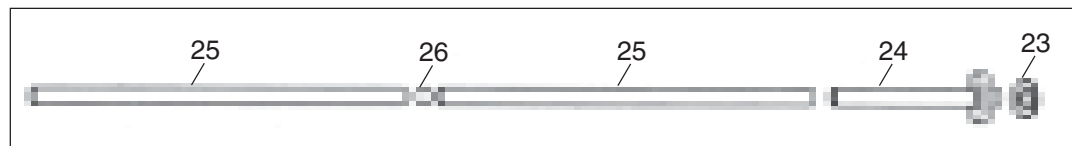
A1	A2	A3	A4	A5	A6
Key Nos.	Key Nos.	Key Nos.	Key Nos.	Key Nos.	Key Nos.
14 (2 Nos) 16 (2 Nos)	14 (2 Nos) 16 (1 Nos)	15, 17 (3 Nos)	15, 17 (2 Nos)	5 (2 Nos) 11 (7 Nos)	9 (54 Nos), 10 (15 Nos), 12 (2 Nos),



4 Speed Gear Box



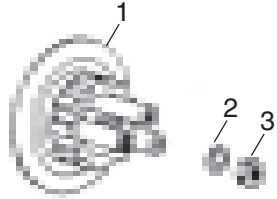
5 Speed Gear Box



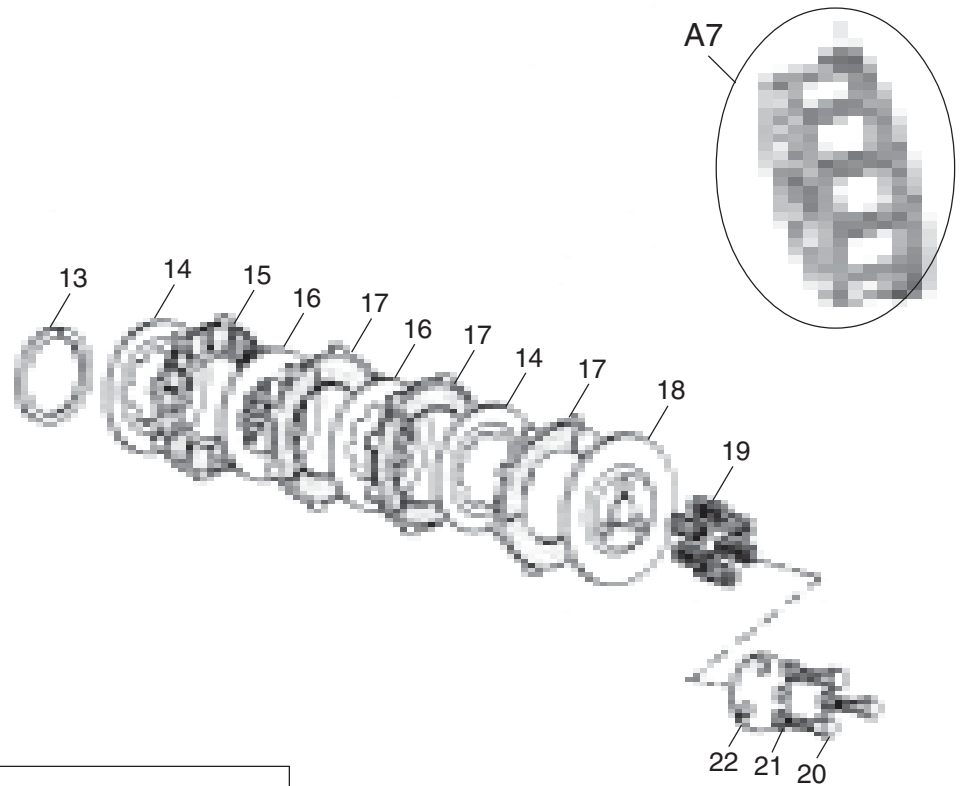
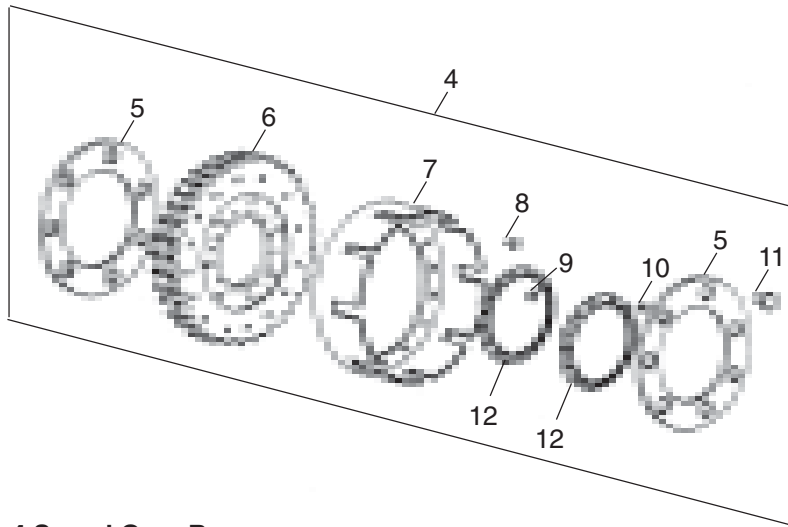
04-55 CLUTCH

Key No.	Part Numbers		Description	Qty.	350								BU				Lightning		Bu Mach		T Bird		Remarks	MOQ	
	New	Old			Std	Dlx	Mac	Cam	Elec 4S KS	ES	Elec 5S KS	ES	500	500	535	535 ES	A350	A500	KS	ES					
A1	597326		Clutch steel plate kit (Four piece)	1	●	●	●	●	●					●	●	●	●	●		●			1		
A2	597325		Clutch steel plate kit (Three piece)	1	●	●	●																1		
A3	597050		Clutch friction plate kit (Four piece)	1	●	●	●	●	●					●	●	●	●	●			●		1		
A4	141992		Clutch friction plate kit (Three piece)	1	●	●	●																1		
A5	597327		Clutch friction disc kit	1	●	●	●	●	●					●	●	●	●	●			●		1		
A6	597328		Clutch ball cage kit	1	●	●	●	●	●					●	●	●	●	●			●		1		
A7	145976/B		Clutch assembly - 4 Speed - 5 Splines	1	●	●	●	●	●	●													1		
	550502/B		Clutch assembly - 5 Speed	1							●	●	●	●	●	●	●		●	●			1		
	550504/B		Clutch assembly - 5 Speed - 5 Plate	1														●					LTD	1	
1	144496		Clutch centre and back plate assembly	1	●	●	●	●	●					●	●	●	●	●					Not Serviced	1	
	550501/A		Clutch centre and back plate assembly	1															●				Not Serviced	1	
	145780/B		Clutch centre and back plate assembly - Endurance	1	●	●	●	●	●	●														1	
	550503/A		Clutch centre and back plate assembly	1					●	●	●	●					●	●	●	●				1	
2	140346/3		Single coil spring coil washer	1	●	●	●	●	●	●				●	●	●	●							30	
	550026/C		Spring washer	1													●	●					Not Serviced	1	
	147108/A		Machined washer	1							●	●					●	●	●	●			LTD	20	
3	140769		Nut nylock - Main shaft	1	●	●	●	●	●	●				●	●	●	●							5	
	550025		Nut nylock - Main shaft	1													●	●						10	
	550524		Nut nylock - Main shaft 5 speed	1							●	●					●	●	●	●			Not Serviced	10	
4	144495/3		Sprocket & Drum assembly (4 plate clutch)	1	●	●	●	●	●	●	●	●	●	●	●	●	●	●	●	●	●			1	
	111134/1		Sprocket & Drum assembly (3 plate clutch)	1	●	●	●																	1	
5	144462		Friction Disc	2	●	●	●	●	●	●	●	●	●	●	●	●	●	●	●	●	●			Not Serviced	4
	140751/5		Friction Disc	2													●	●						2	
6	144456/C		Sprocket	1	●	●	●	●	●	●	●	●	●	●	●	●	●	●	●	●	●			1	
7	142195		Drum, 4 plate clutch	1	●	●	●	●	●					●	●	●	●	●						Not Serviced	1
	111154		Drum, 3 plate clutch	1	●	●	●																	LTD	1
	145978/A		Clutch sprocket drum	1	●	●	●	●	●	●	●	●	●	●	●	●	●	●	●	●	●			LTD	1

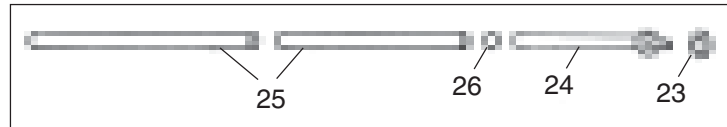
04-55 CLUTCH



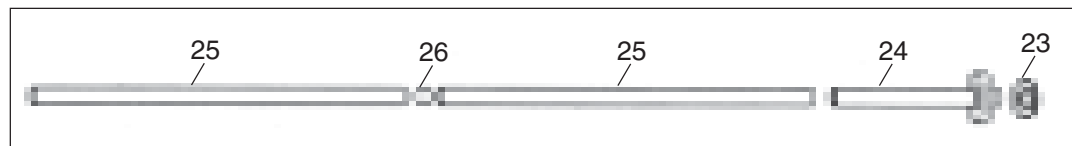
A1	A2	A3	A4	A5	A6
Key Nos.	Key Nos.	Key Nos.	Key Nos.	Key Nos.	Key Nos.
14 (2 Nos) 16 (2 Nos)	14 (2 Nos) 16 (1 Nos)	15, 17 (3 Nos)	15, 17 (2 Nos)	5 (2 Nos) 11 (7 Nos)	9 (54 Nos), 10 (15 Nos), 12 (2 Nos),



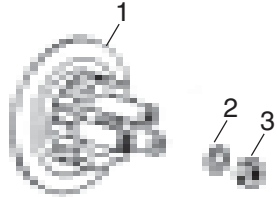
4 Speed Gear Box



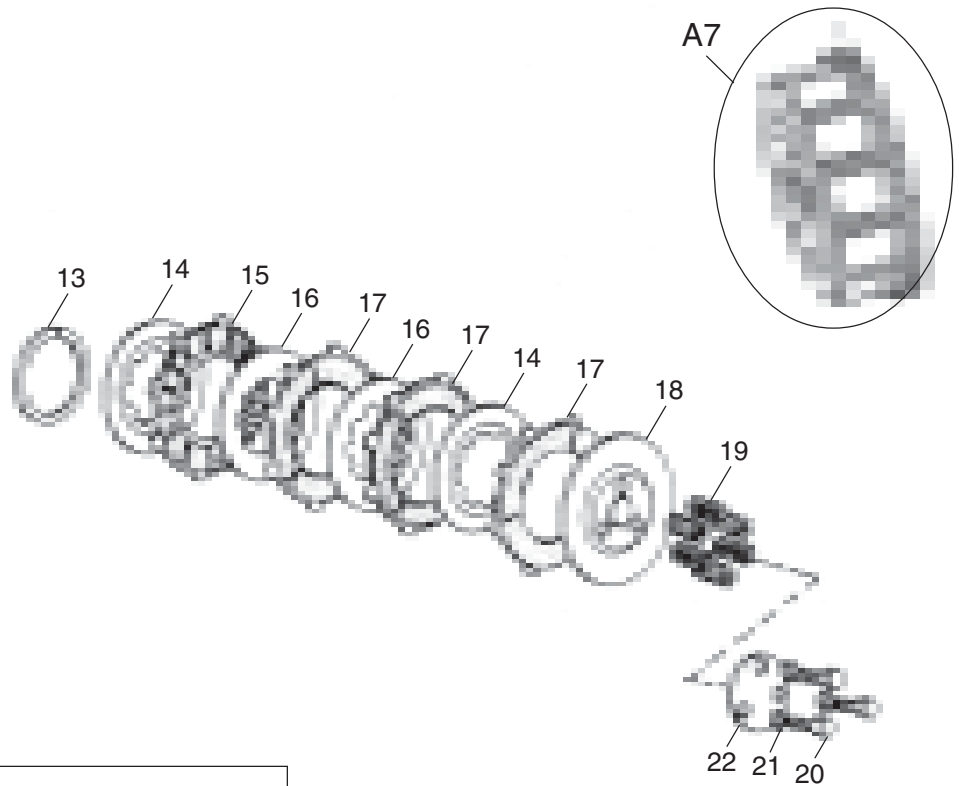
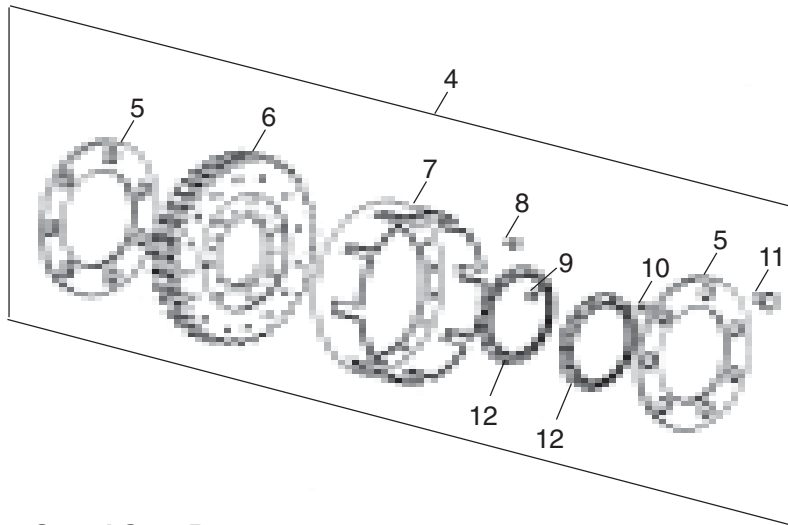
5 Speed Gear Box



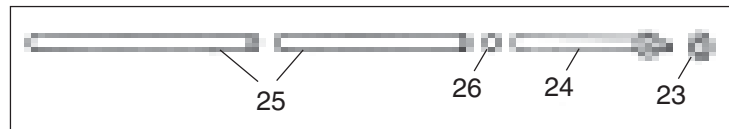
04-55 CLUTCH



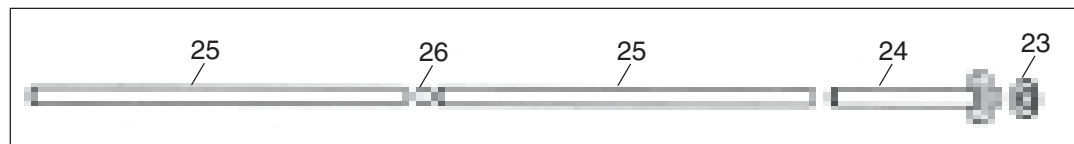
A1	A2	A3	A4	A5	A6
Key Nos.	Key Nos.	Key Nos.	Key Nos.	Key Nos.	Key Nos.
14 (2 Nos) 16 (2 Nos)	14 (2 Nos) 16 (1 Nos)	15, 17 (3 Nos)	15, 17 (2 Nos)	5 (2 Nos) 11 (7 Nos)	9 (54 Nos), 10 (15 Nos), 12 (2 Nos),



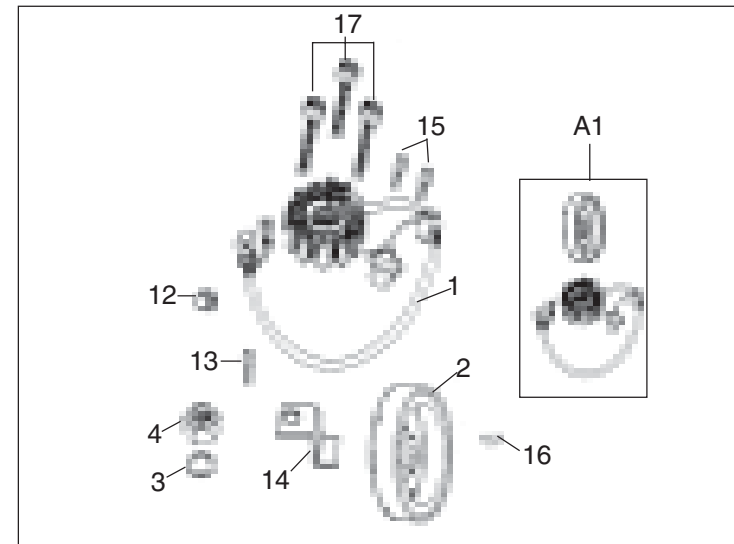
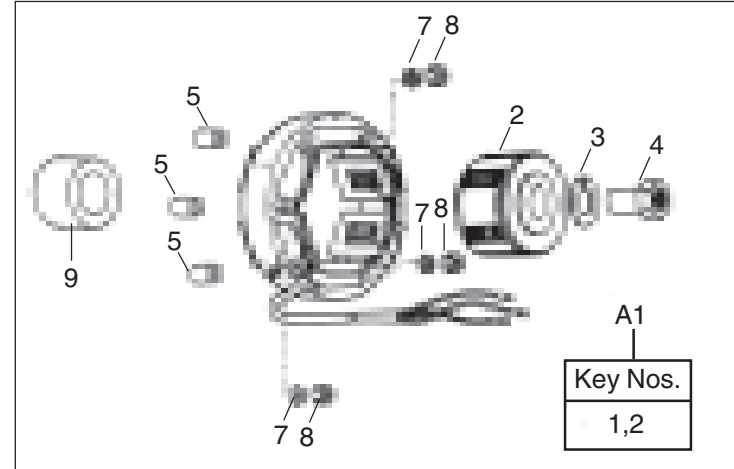
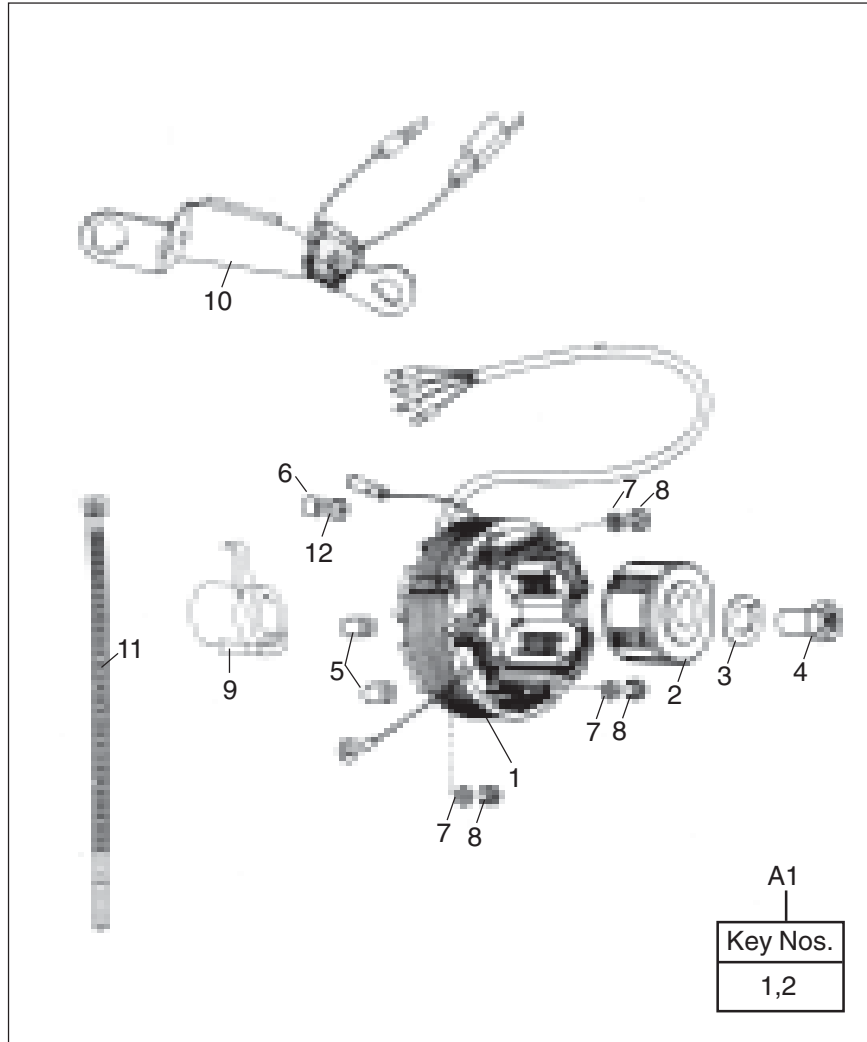
4 Speed Gear Box



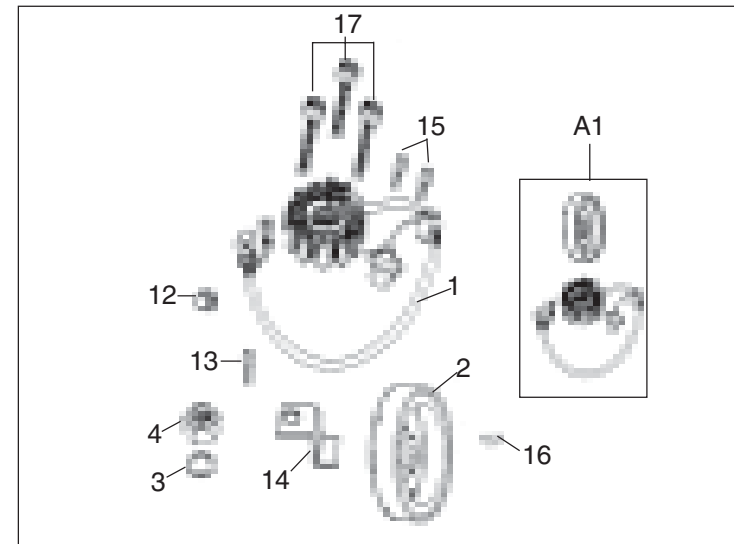
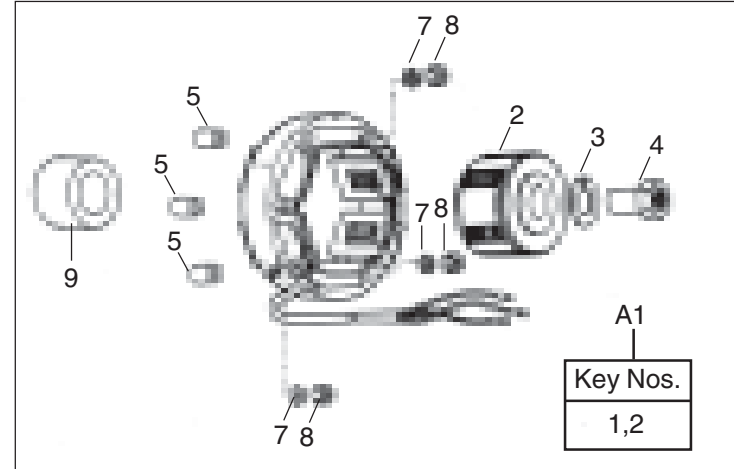
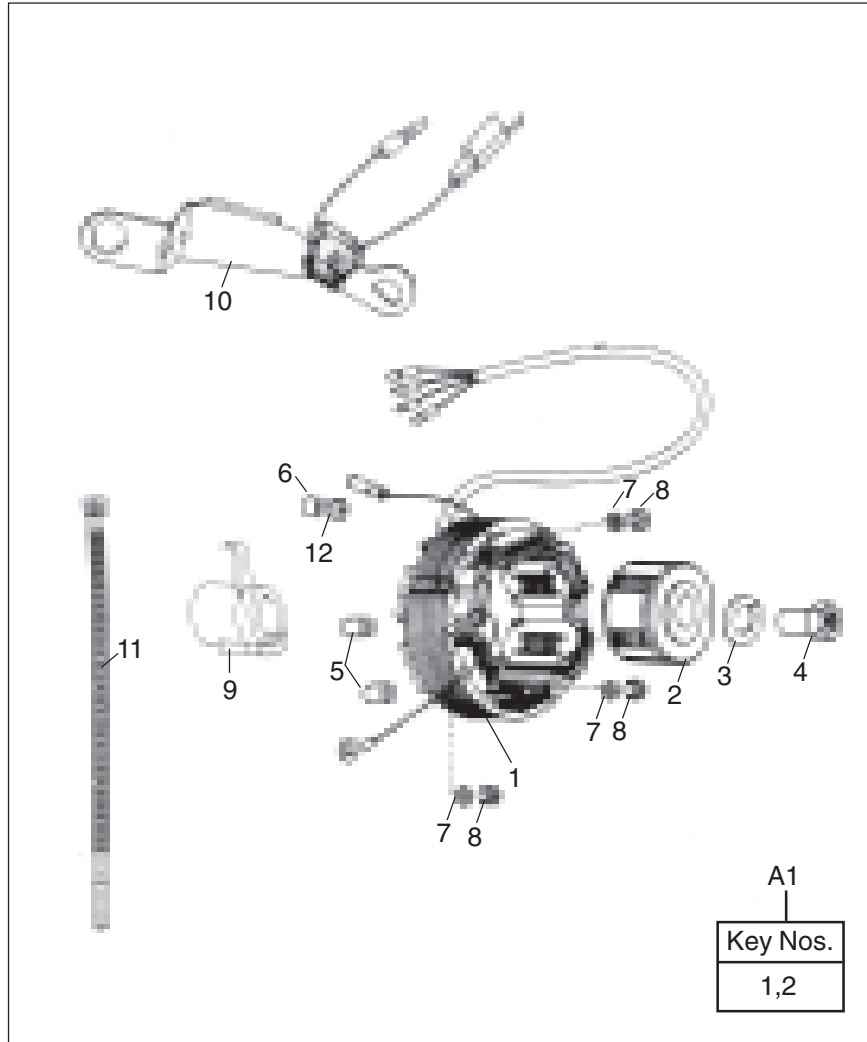
5 Speed Gear Box

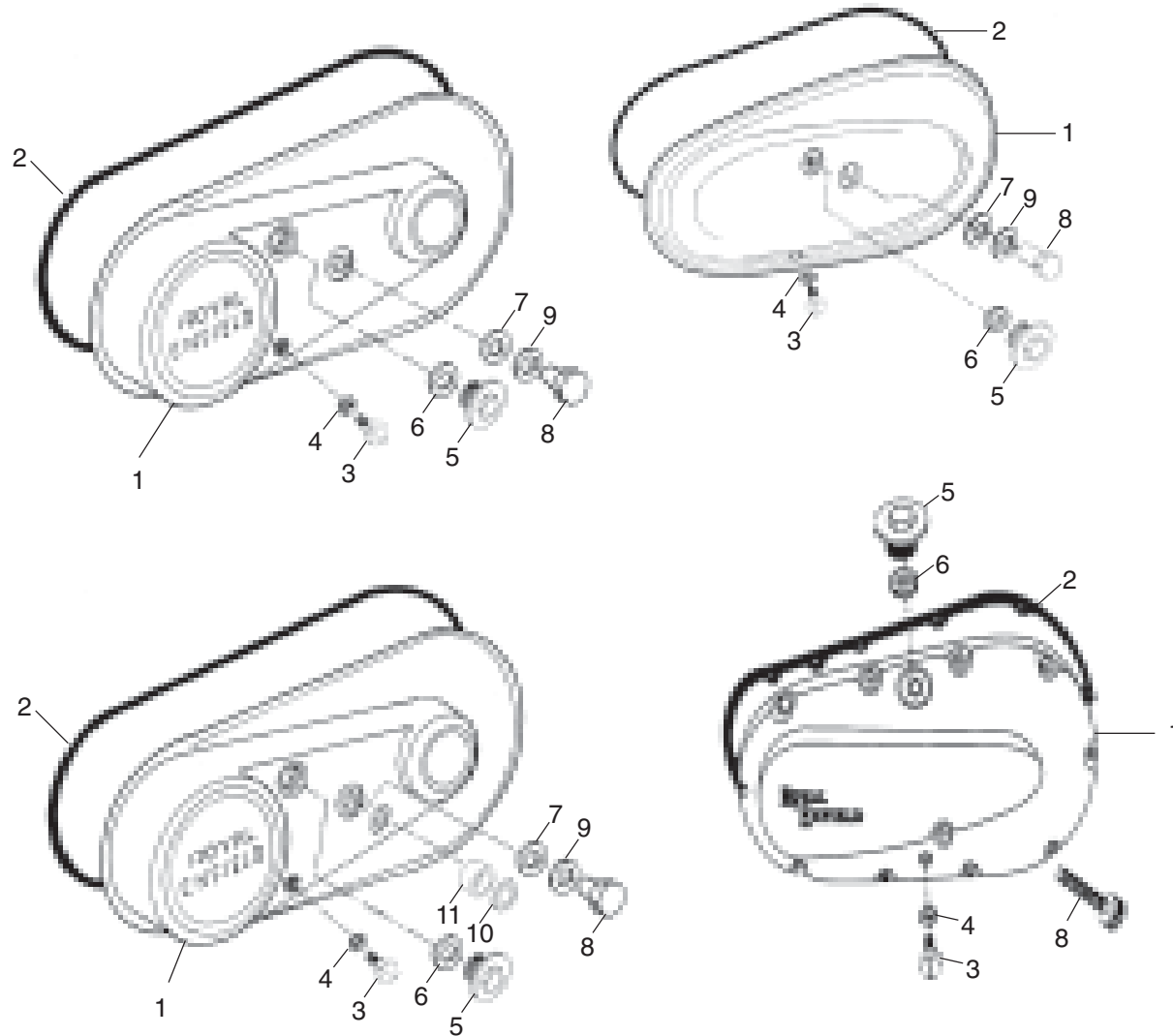


04-60 ALTERNATOR



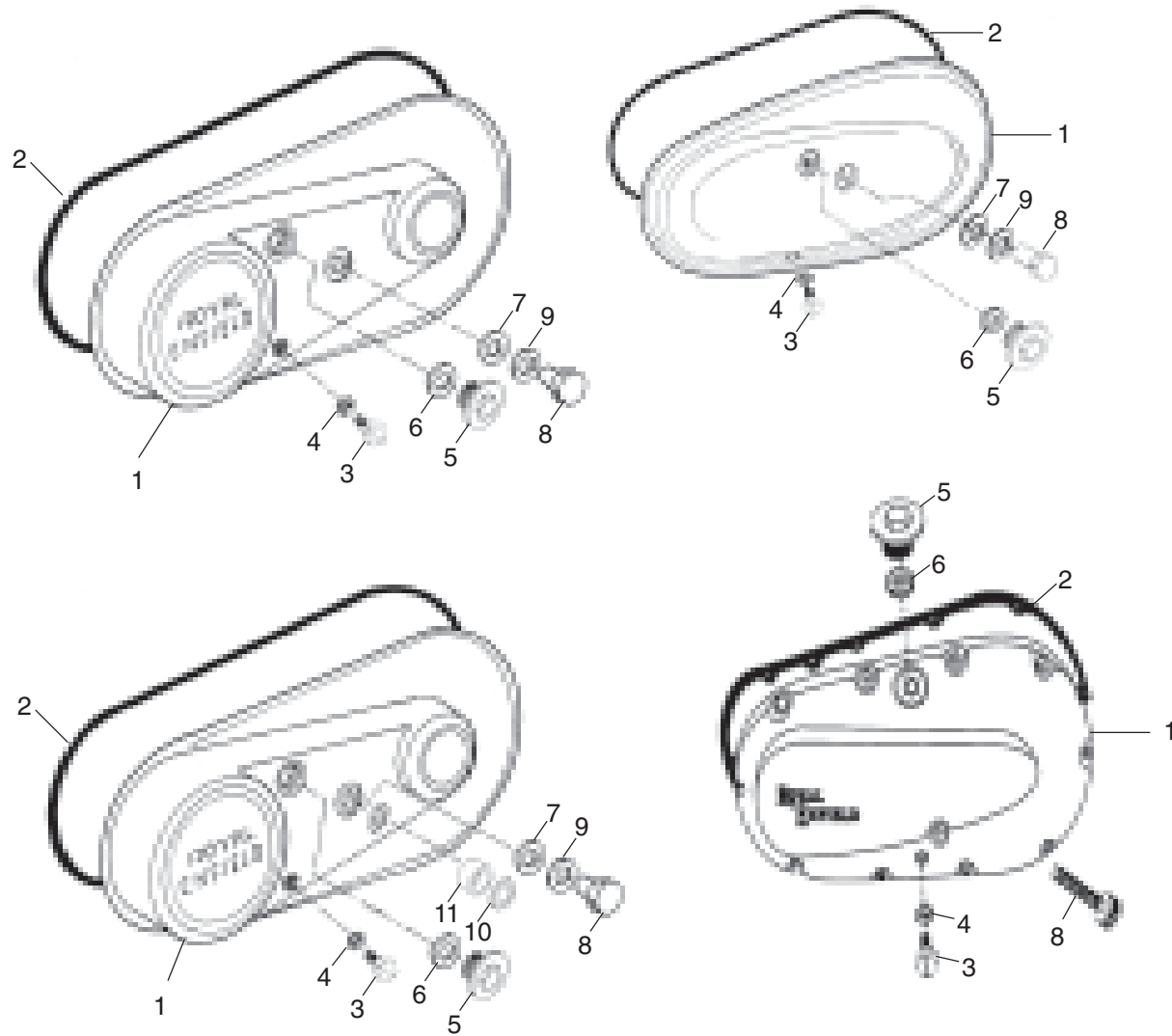
04-60 ALTERNATOR



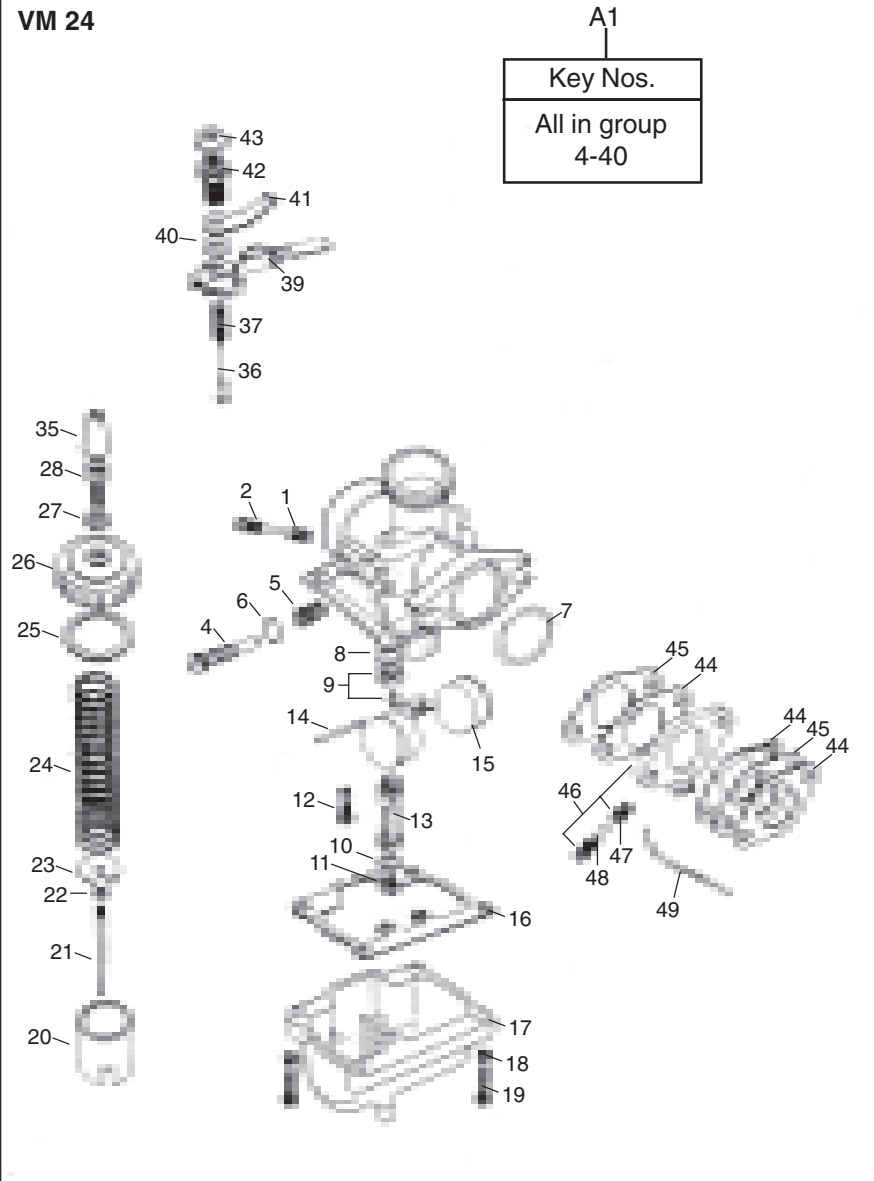


04-65 CHAINCASE OUTER

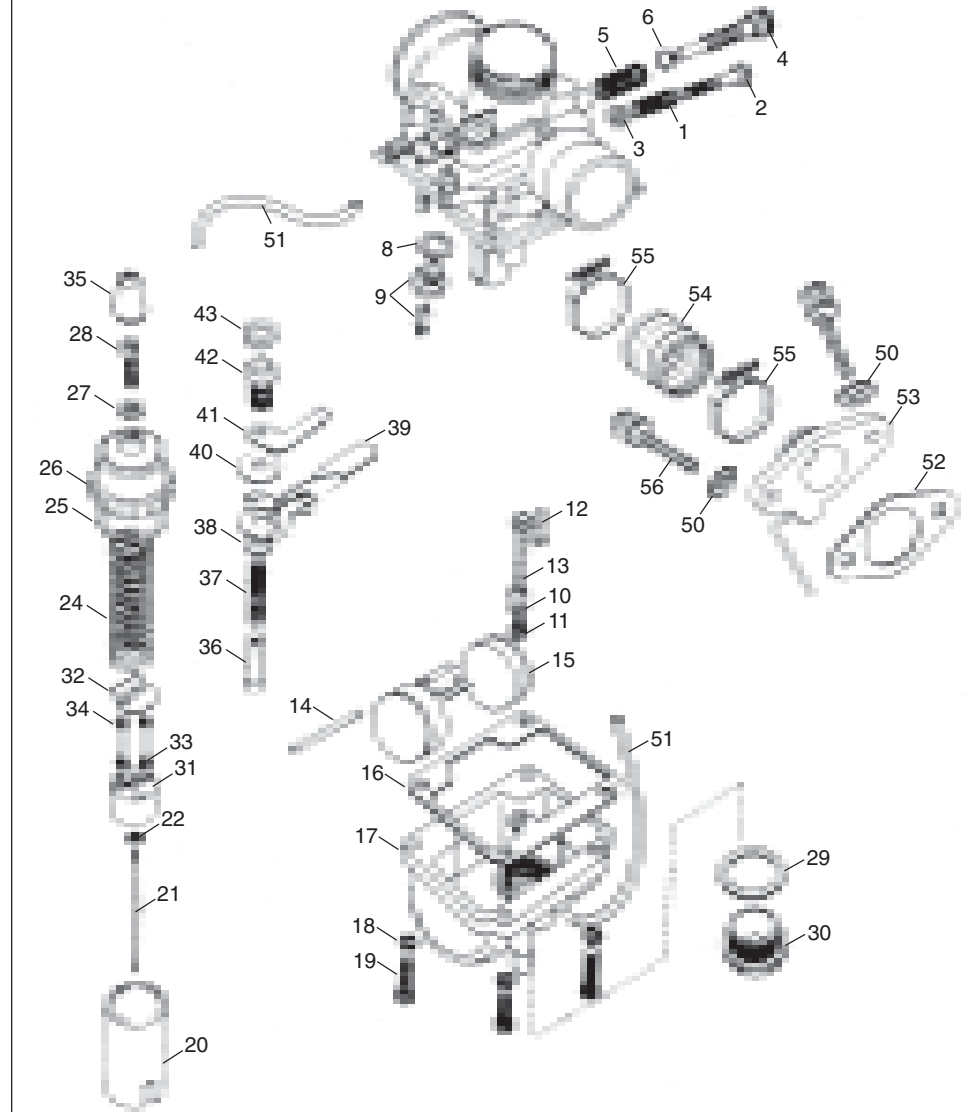
Key No.	Part Numbers		Description	Qty.	350								BU 500	Lightning			Bu Mach		T Bird		Remarks	MOQ
	New	Old			Std	Dlx	Mac	Cam	Elec 4S KS	Elec 5S ES	Elec 4S KS	Elec 5S ES		500	535	535 ES	A350	A500	KS	ES		
1	143907		Chaincase outer (Inches)	1	●	●	●	●					●							Before Mar 2002	1	
	144917/4		Chaincase outer (Metric)	1	●	●	●	●					●							After Mar 2002	1	
	145464/1		Chaincase outer CDI	1					●											Before Mar 2005	1	
	502010/B		Chain case front half	1					●	●										After April 2005	1	
	502075/B		Chain case front half	1							●	●				●	●	●	●	After April 2005	1	
	170102		Chaincase outer (Inches)	1										●	●	●	●			Not Serviced	1	
	144865/C		Chaincase outer (Metric)	1										●	●	●	●			Not Serviced	1	
	144864/G		Chaincase outer	1															●		1	
2	140297/C		Rubber seal - Chain case outer	1	●	●	●	●	●				●	●	●	●		●			1	
	502060/A		Gasket	1					●	●	●	●				●		●	●		1	
	502004/B		Gasket	1												●					1	
3	144635		Oil level plug (Inches)	1	●	●	●	●	●				●	●	●	●		●		Before Mar 2002	20	
	144921/B		Oil level plug (Metric)	1	●	●	●	●	●	●	●	●	●	●	●	●	●	●	●	After Mar 2002	10	
4	140299	144633	Fiber washer (Inches)	1	●	●	●	●	●	●	●	●	●	●	●	●		●		Before Sept 1998	40	
	144915/A		Fiber washer (Metric)	1	●	●	●	●	●	●	●	●	●	●	●	●	●	●	●	LTD	40	
5	140313		Inspection plug (Inches)	1	●	●	●	●	●				●	●	●	●		●		Before July 1999	2	
	144922/B		Inspection plug (Metric)	1	●	●	●	●	●				●	●	●	●		●		Before July 1999	2	
	502018/B		Oil filler plug	1					●	●	●	●						●	●		1	
6	140314		Fiber washer, Oil filler plug (Inches)	1	●	●	●	●	●				●	●	●	●		●		Before Mar 2002	50	
	144920/A		Fiber washer, Oil filler plug (Metric)	1	●	●	●	●	●				●	●	●	●		●		After Mar 2002	40	
	502019/A		"O" Ring (oil filler plug)	1					●	●	●	●				●	●	●	●		30	
7	144795		Fiber washer (Inches)	1	●	●	●	●	●				●	●	●	●		●		Before May 1999	20	
	145164/A		Fiber washer (Metric)	1	●	●	●	●	●				●	●	●	●		●		After May 1999	20	
8	140282		Dome nut (Inches)	1	●	●	●	●	●				●	●	●	●		●		Before Mar 2002	10	
	145165/B		Dome nut (Metric)	1	●	●	●	●	●				●	●	●	●		●		After Mar 2002	1	
	550095		Allen screw M6 x 30 (Chain case front half)	10					●	●	●	●				●	●	●	●		10	



VM 24



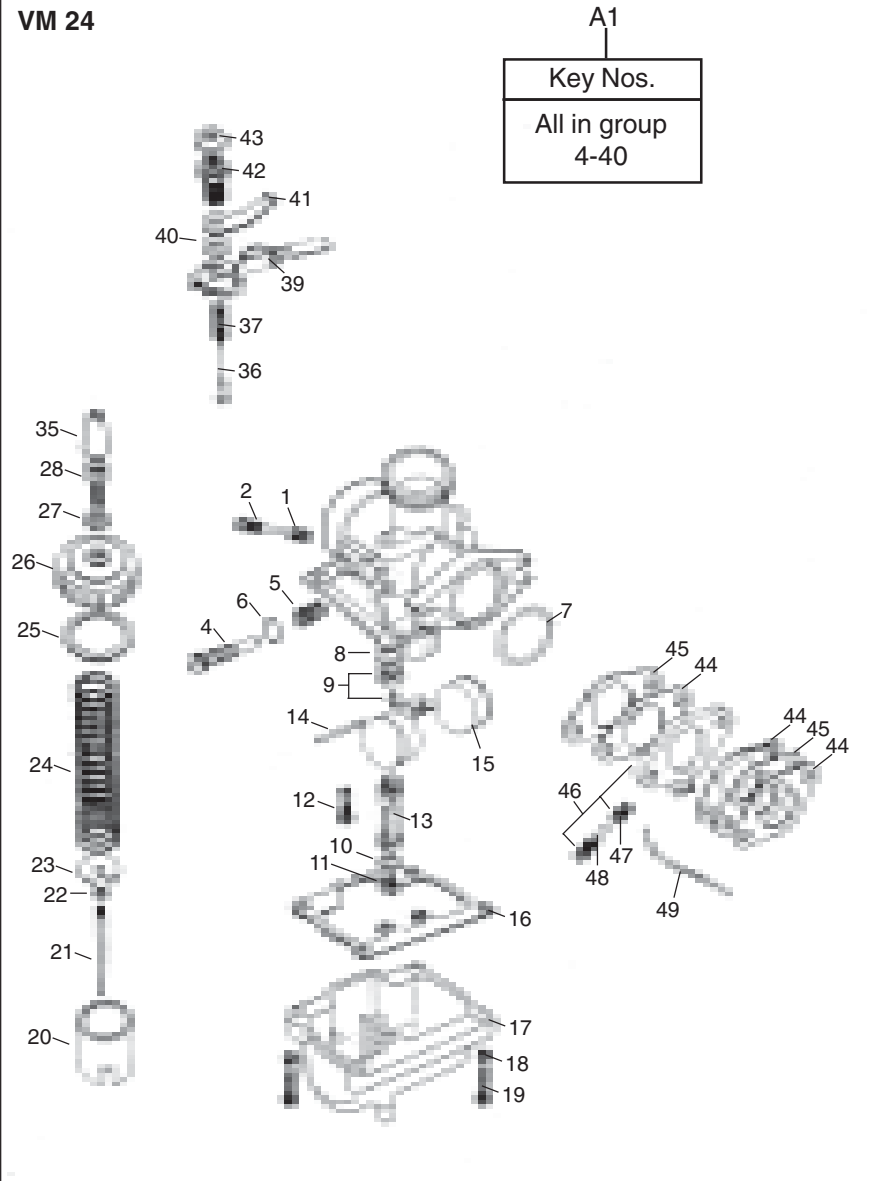
VM 28



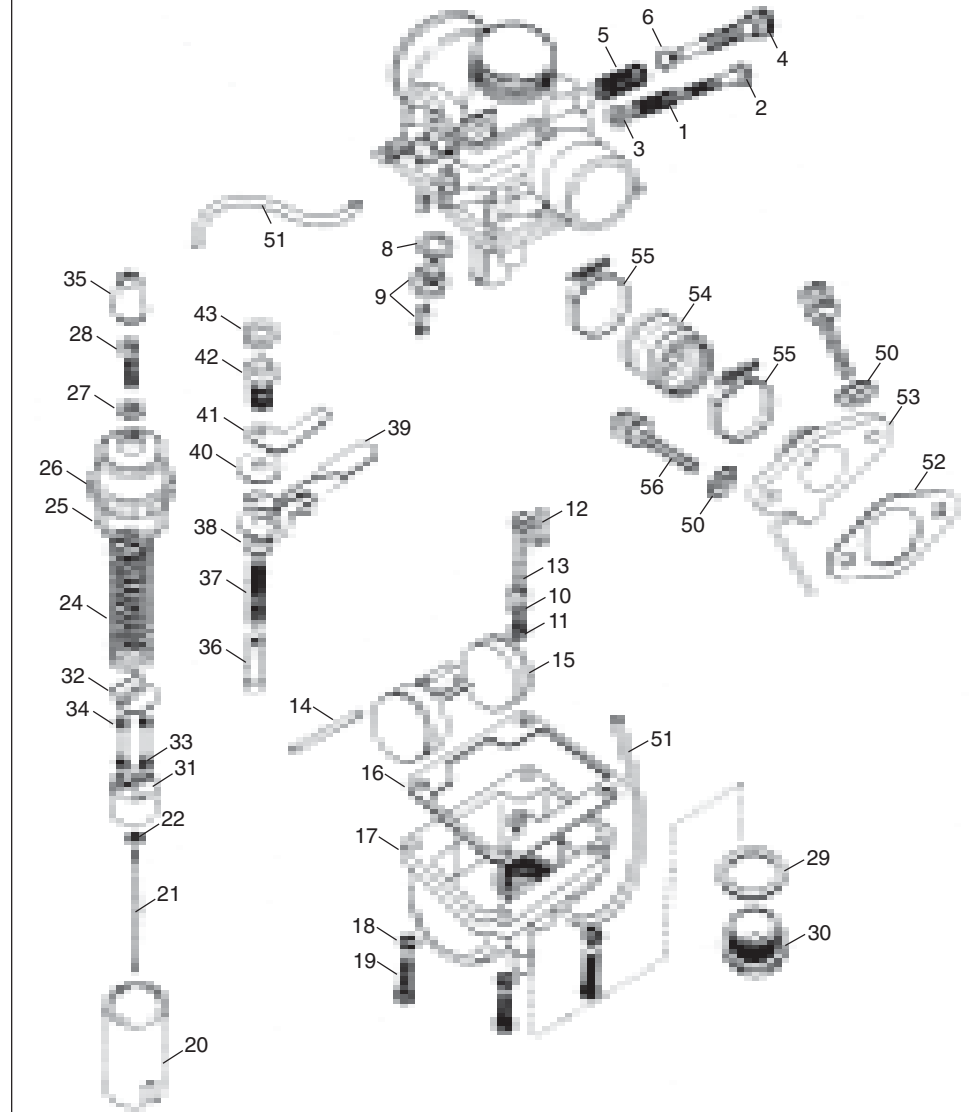
05-10 CARBURETOR - VM 24 & VM 28

Key No.	Part Numbers		Description	Qty.	350								BU 500	Lightning			Bu Mach		T Bird		Remarks	MOQ
	New	Old			Std	Dlx	Mac	Cam	Elec 4S		Elec 5S			500	535	535 ES	A350	A500	KS	ES		
A1	144732		Carburetor - Mikcarb VM 24	1	●	●	●	●	●	●	●	●									1	
	144135		Carburetor - Mikcarb VM 28	1									●	●								1
	144136		Carburetor - Mikcarb VM 28	1										●	●							1
1	141947		Spring - Air screw	1	●	●	●	●	●	●	●	●									LTD	1
2	141951		Air screw	1	●	●	●	●	●	●	●	●										10
	142970		Air screw - VM 28	1									●	●	●	●						6
3	142971		"O" Ring, Air screw										●	●	●	●						1
4	141958		Screw - Throttle adjuster	1	●	●	●	●	●	●	●	●										4
	142972		Screw - Throttle adjuster - VM 28	1									●	●	●	●					LTD	1
5	141952		Spring - Throttle adjuster	1	●	●	●	●	●	●	●	●										20
	142973		Spring - Throttle adjuster - VM 28	1									●	●	●	●					Not Serviced	1
6	141946		"O" Ring, Throttle screw	1	●	●	●	●	●	●	●	●										18
7	142981		"O" Ring - Carb Flange	1									●	●	●	●						20
8	141967		Washer - Valve seat packing	1	●	●	●	●	●	●	●	●	●	●	●	●						1
9	141969		Needle valve assembly	1	●	●	●	●	●	●	●	●										1
	142984		Needle valve assembly	1									●	●	●	●						1
10	141966		Washer , Main jet	1	●	●	●	●	●	●	●	●	●	●	●	●					LTD	1
11	141948		Main jet 90	1	●	●	●	●	●	●	●	●										2
	112180		Main jet 110	1									●	●							Not Serviced	1
	144335		Main jet 117.5											●	●							1
12	141977		Pilot jet	1	●	●	●	●	●	●	●	●	●	●	●	●						2
13	141978		Needle jet	1	●	●	●	●	●	●	●	●										1
	142992		Needle jet - VM 28	1									●	●	●							1
14	141950		Hinge pin	1	●	●	●	●	●	●	●	●	●	●	●	●						1
15	141970		Float assembly	1	●	●	●	●	●	●	●	●										1
	142996		Float assembly - VM 28	1									●	●	●	●						1

VM 24



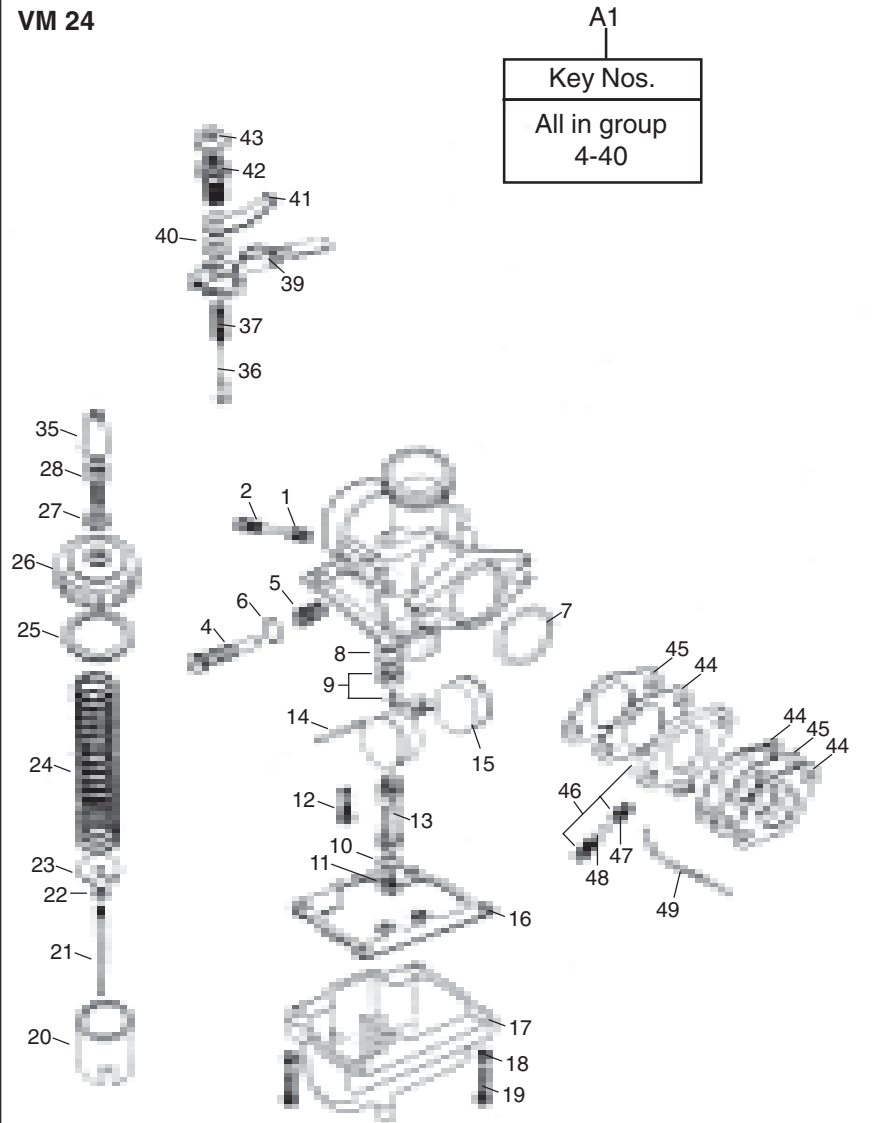
VM 28



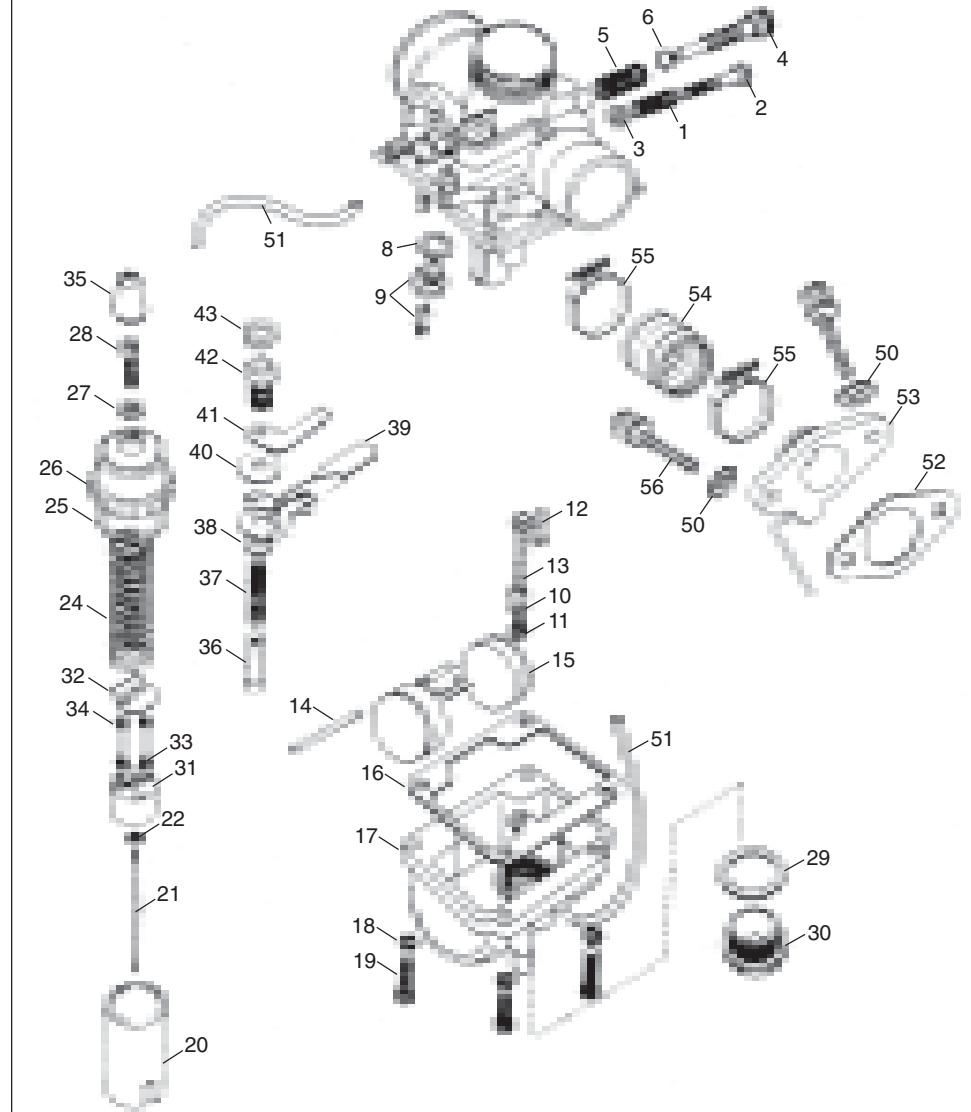
05-10 CARBURETOR - VM 24 & VM 28

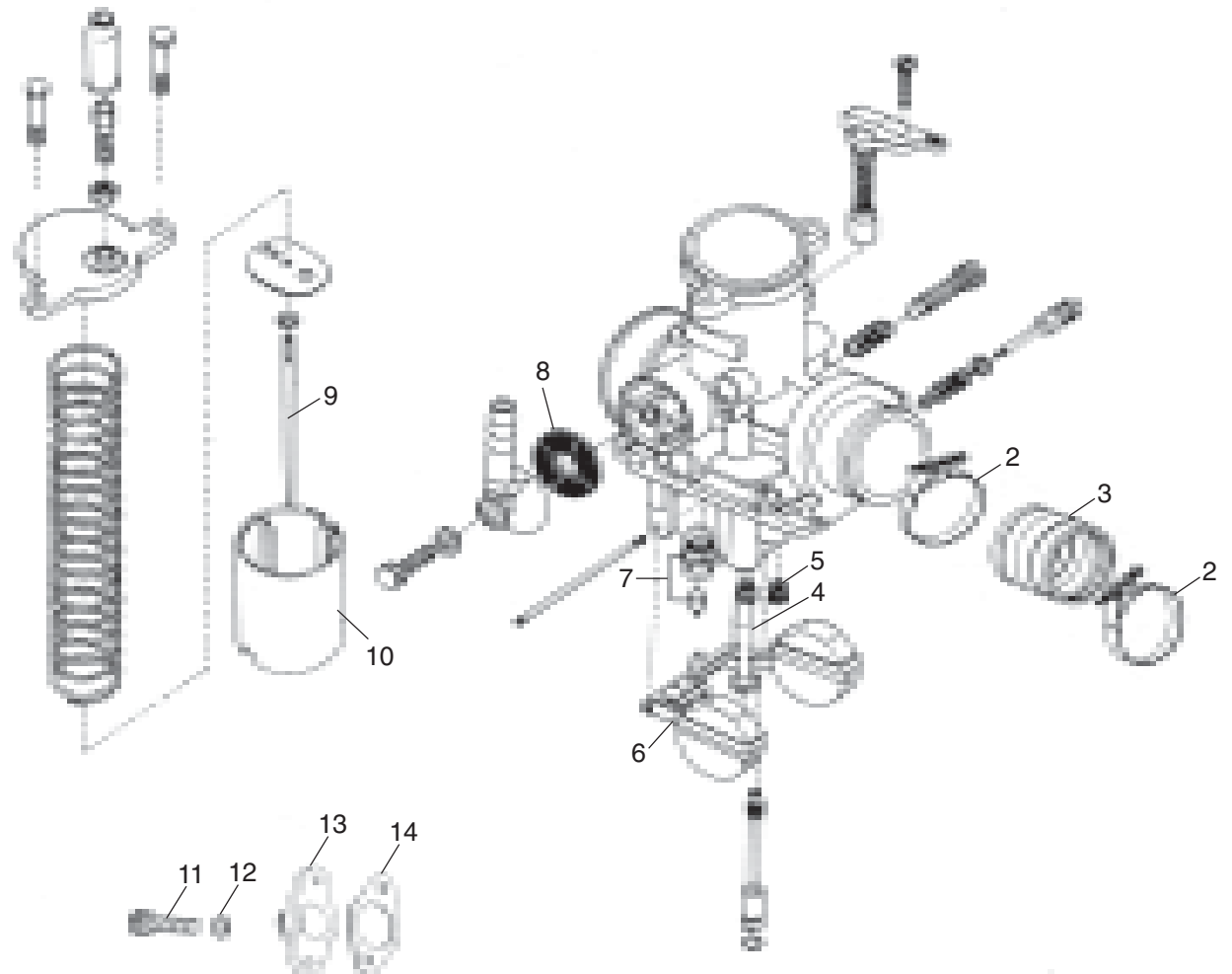
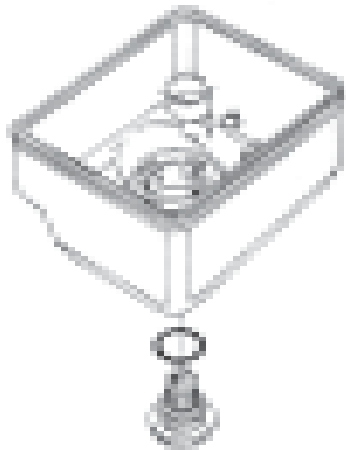
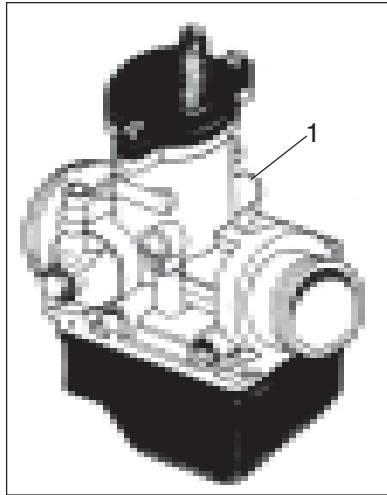
Key No.	Part Numbers		Description	Qty.	350								BU 500	Lightning			Bu Mach		T Bird		Remarks	MOQ
	New	Old			Std	Dlx	Mac	Cam	Elec 4S		Elec 5S			500	535	535 ES	A350	A500	KS	ES		
16	141953		Float chamber gasket	1	●	●	●	●	●	●	●	●									5	
	142974		Float chamber gasket	1									●	●	●	●						10
17	141968		Float chamber body	1	●	●	●	●	●	●	●	●										1
	142995		Float chamber body - VM 28	1									●	●	●	●						1
18	141963		Spring washer	4	●	●	●	●	●	●	●	●	●	●	●	●						1
19	141964		Screw - Float chamber	4	●	●	●	●	●	●	●	●	●	●	●	●						1
20	141957		Throttle valve	1	●	●	●	●	●	●	●	●										1
	142977		Throttle valve	1									●	●	●	●					LTD	1
21	141945		Jet needle	1	●	●	●	●	●	●	●	●	●	●	●	●						1
22	141965		Spring clip	1	●	●	●	●	●	●	●	●	●	●	●	●						5
23	141959		Spring plate	1	●	●	●	●	●	●	●	●										10
24	141954		Spring - Throttle valve	1	●	●	●	●	●	●	●	●										14
	142975		Spring - Throttle valve - VM 28	1									●	●	●	●						1
25	141974		Washer rubber - Mixing chamber cap	1	●	●	●	●	●	●	●	●										1
	142986		Washer rubber - Mixing chamber cap - VM 28	1									●	●	●	●						1
26	141973		Mixing chamber cap	1	●	●	●	●	●	●	●	●										1
	142994		Mixing chamber cap - VM 28	1									●	●	●	●						1
27	141975		Lock nut - Throttle cable adjuster	1	●	●	●	●	●	●	●	●	●	●	●	●						1
28	141976		Adjuster - Throttle cable	1	●	●	●	●	●	●	●	●	●	●	●	●						10
29	142991		Washer fiber	1									●	●	●	●						30
30	142990		Plug drain	1									●	●	●	●						1
31	142978		Connector block	1									●	●	●	●					LTD	1
32	142973		Plate block	1									●	●	●	●						1
33	142983		Washer	2									●	●	●	●						1
34	142980		Screw - Throttle valve	2									●	●	●	●						1

VM 24

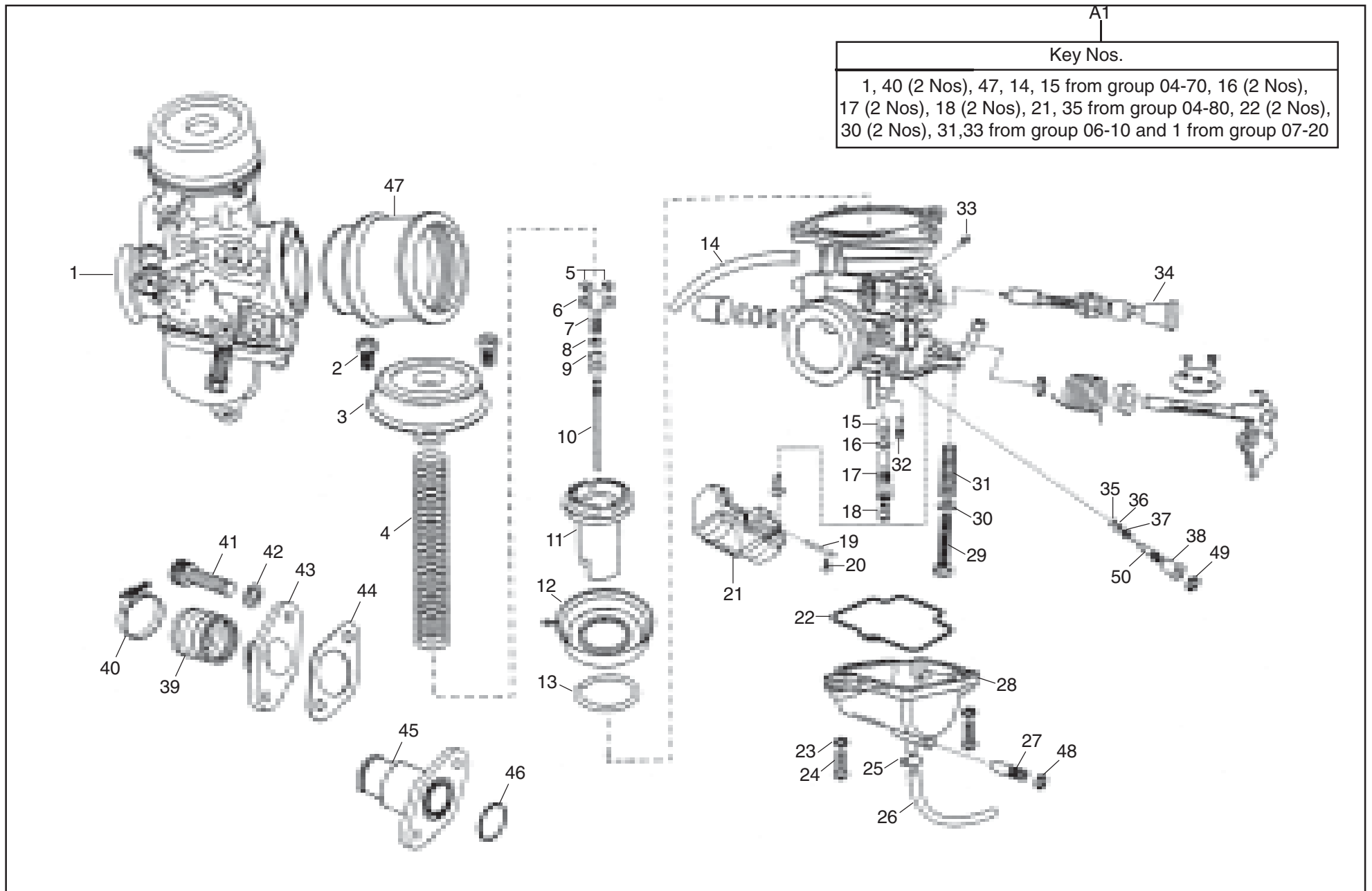


VM 28

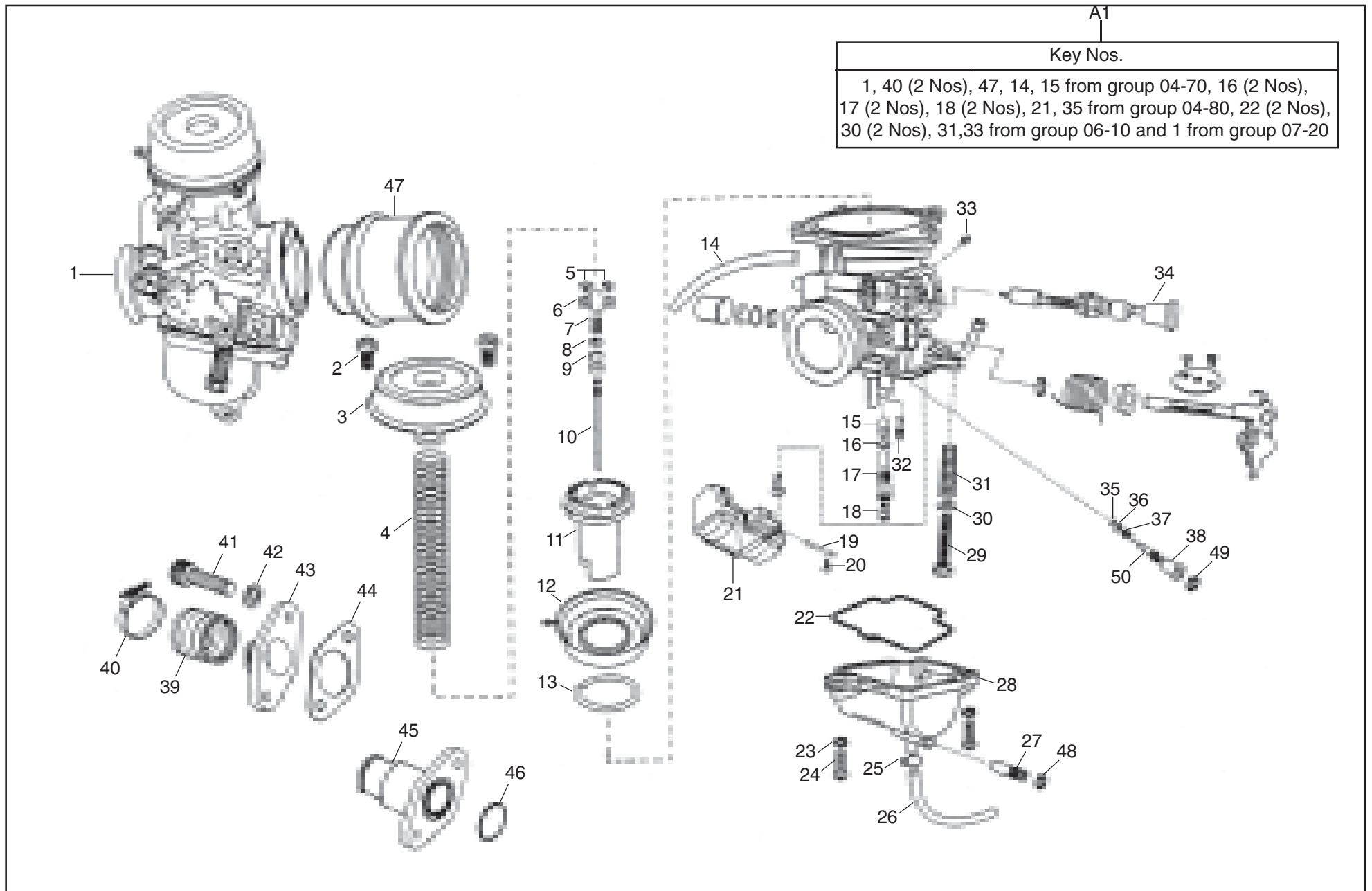




05-30 CV CARBURETOR - BS 26 & BS 29



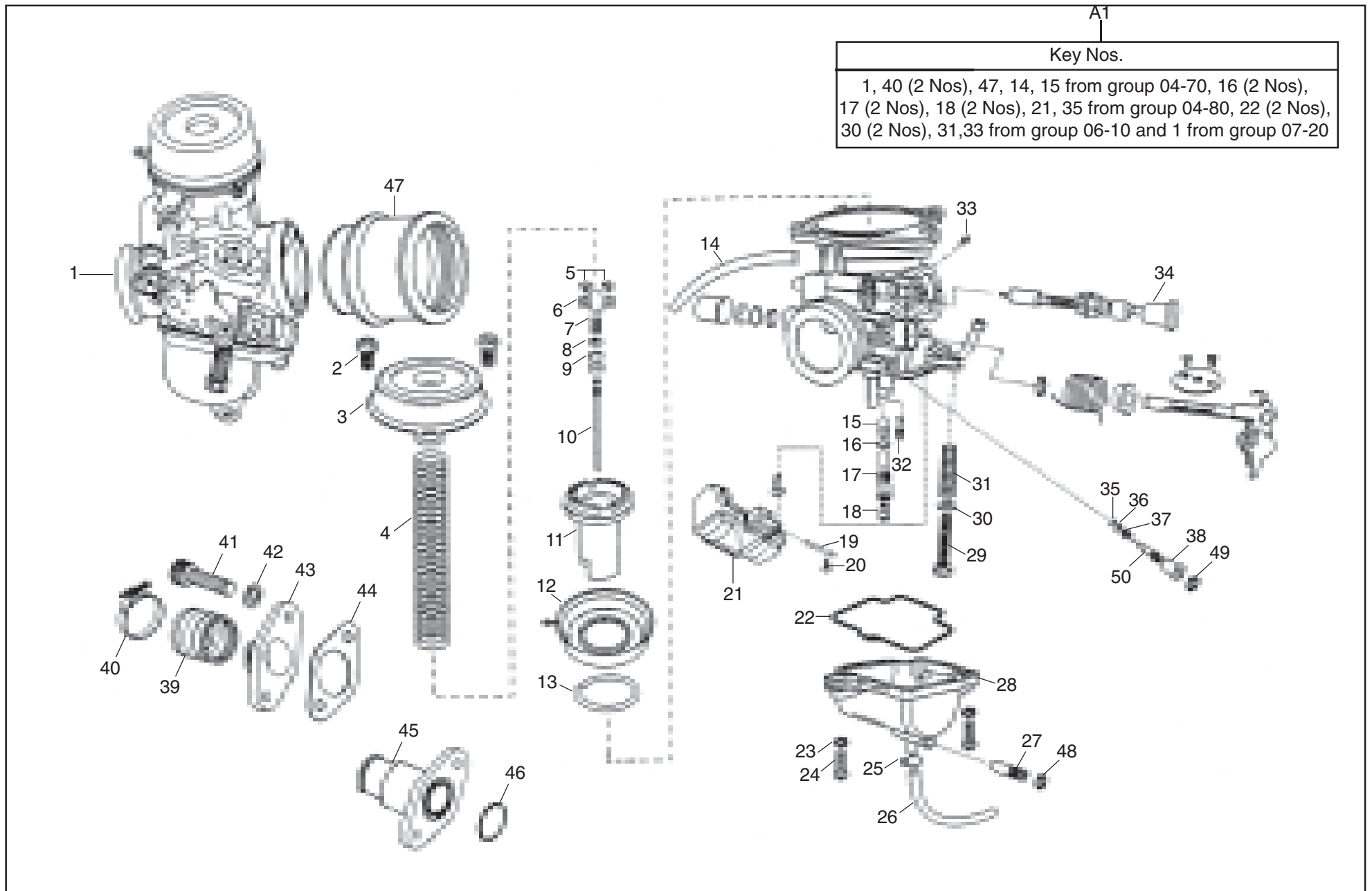
05-30 CV CARBURETOR - BS 26 & BS 29



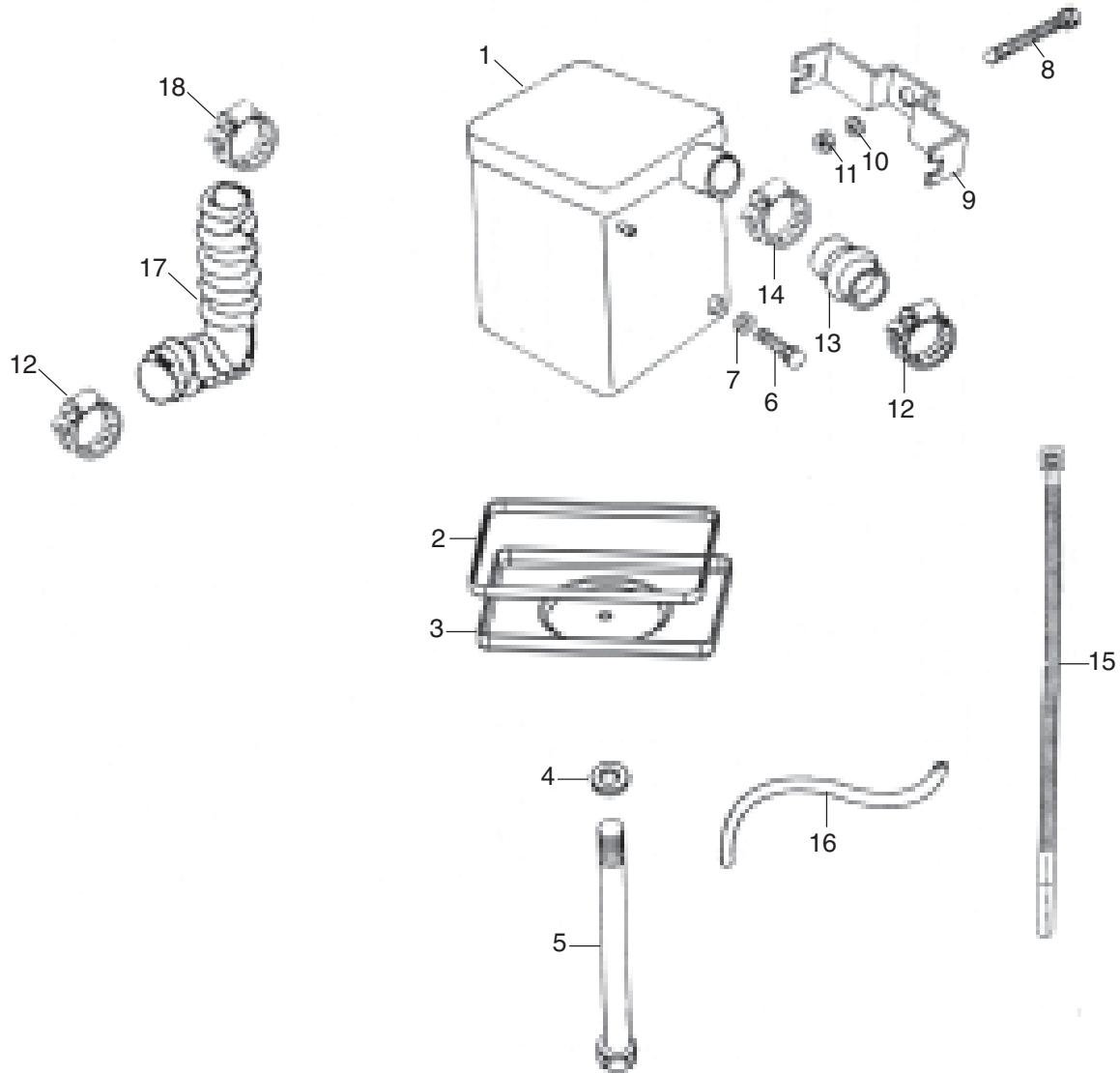
05-30 CV CARBURETOR - BS 26 & BS 29

Key No.	Part Numbers		Description	Qty.	350								BU 500	Lightning			Bu Mach		T Bird		Remarks	MOQ
	New	Old			Std	Dlx	Mac	Cam	Elec 4S		Elec 5S			500	535	535 ES	A350	A500	KS	ES		
								KS	ES	KS	ES											
18	500863		Main jet	1															●	●		5
19	500846		Float pin	1															●	●		10
20	500847		Float pin fixing screw	1															●	●		1
21	500843		Float assembly	1															●	●		1
22	500841		"O" Ring, Float chamber cover	1															●	●		1
23	141963		Spring Washer	2															●	●		1
24	500842		Screw	2															●	●		1
25	500874		Clip	1															●	●		1
26	500853		Hose, Drain	1															●	●		1
27	500871		Screw	1															●	●		1
28	500860		Float body assembly	1															●	●		1
29	500857		Idle adjuster screw	1															●	●		1
30	500856	500820/A	Packing, Idle adjuster screw	1															●	●		1
31	500855		Spring, Idle adjuster screw	1															●	●		1
32	500866		Pilot jet	1															●	●		1
33	500867		Pilot air jet	1															●	●		1
34	500849		Plunger assembly	1															●	●		1
35	500870		"O" Ring, Pilot screw	1															●	●		30
36	500869		Washer, Pilot screw	1															●	●		30
37	500862		Spring, Pilot screw	1														●	●		20	
	510862		Spring, Pilot screw	1															●			1
38	500873		Cap	1															●	●		1
39	500822/A		Hose carburetor to engine	1															●	●	Before Dec 2002	6
40	143144/2		Clip hose	2															●	●	Before Dec 2002	10
41	500355		Hex socket head screw M6 x 16	2															●	●		10
42	144636/A		Sealing washer	2															●	●		20

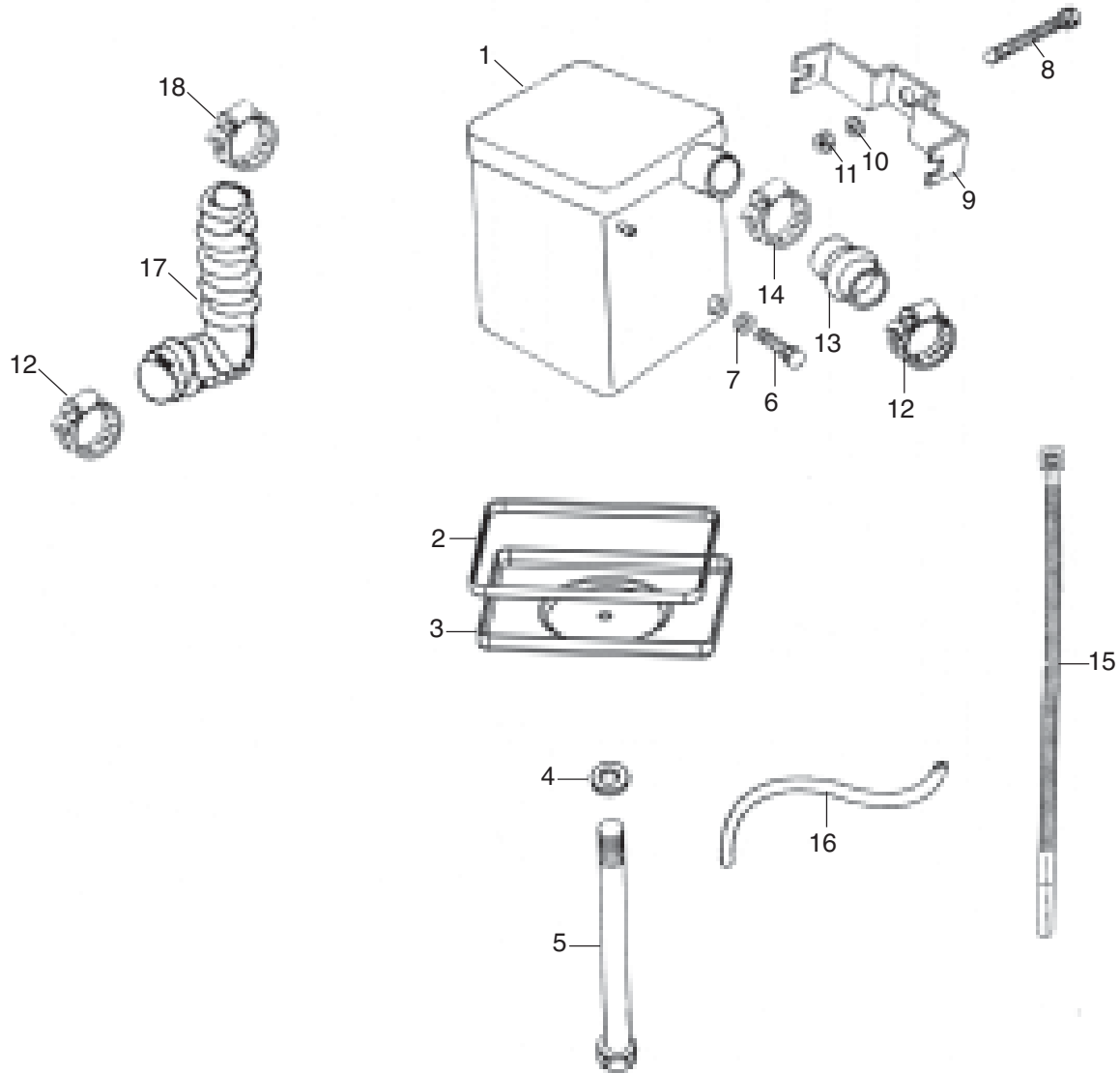
05-30 CV CARBURETOR - BS 26 & BS 29

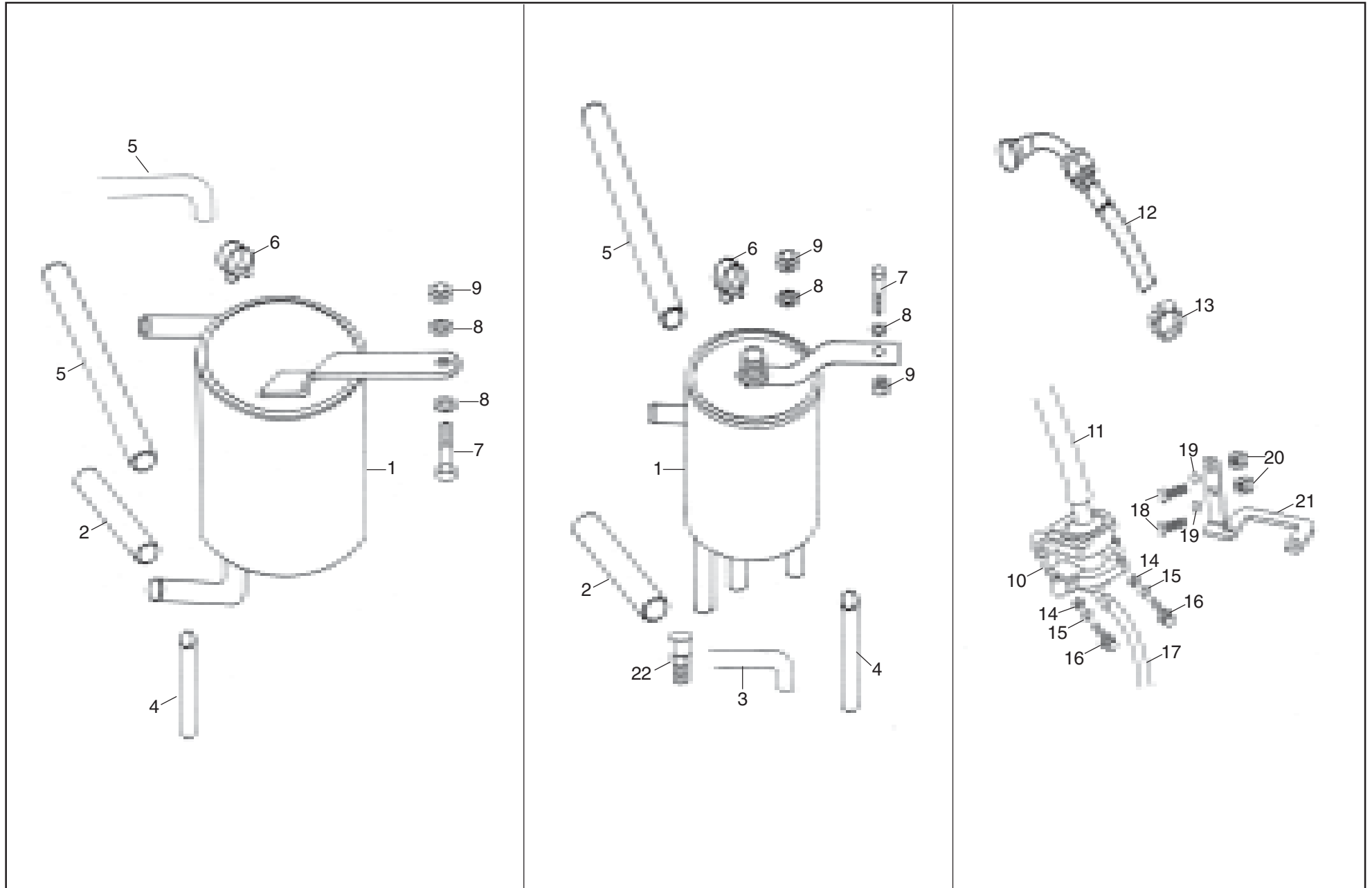


06-10 RESONATOR



06-10 RESONATOR

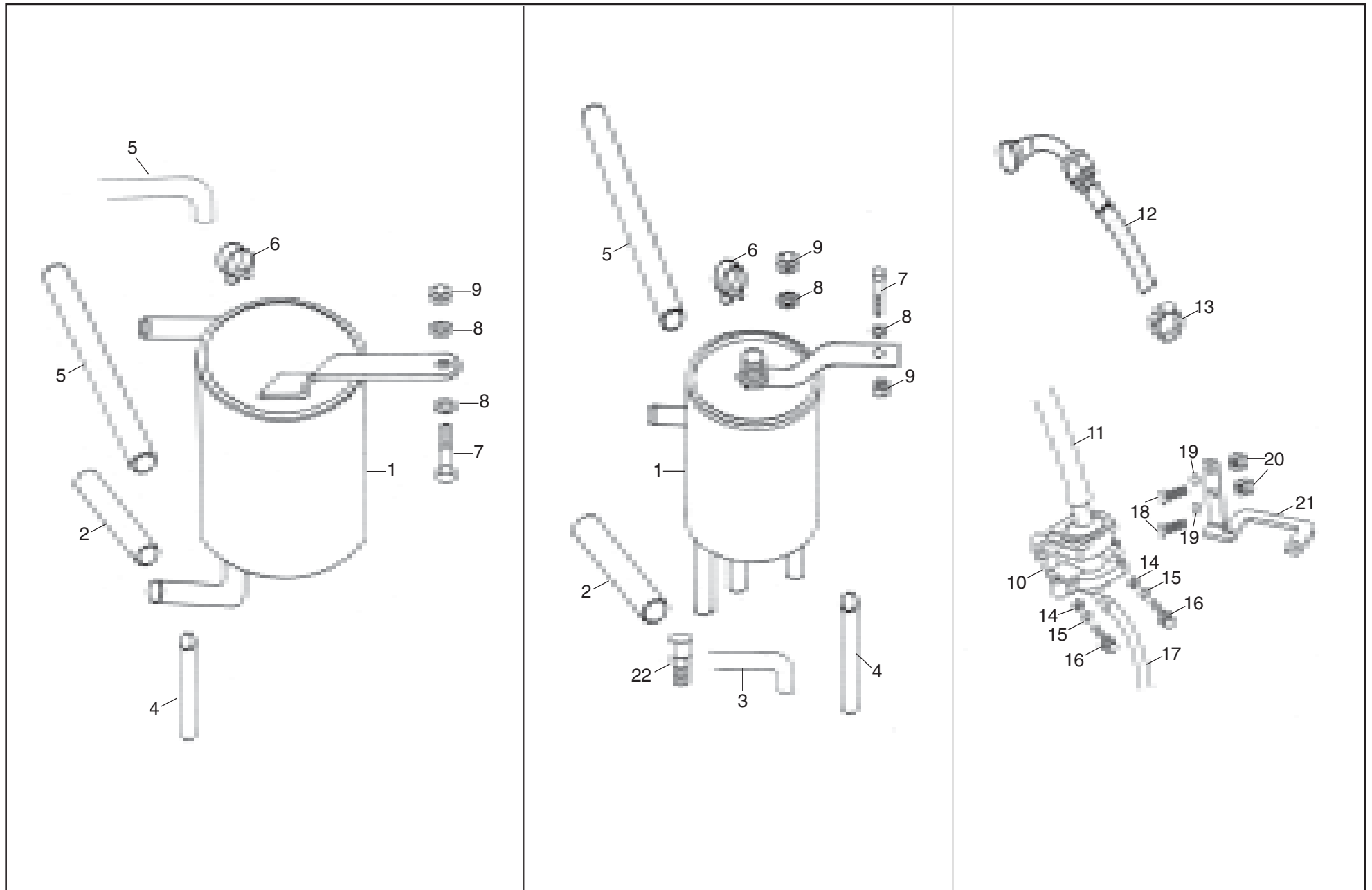


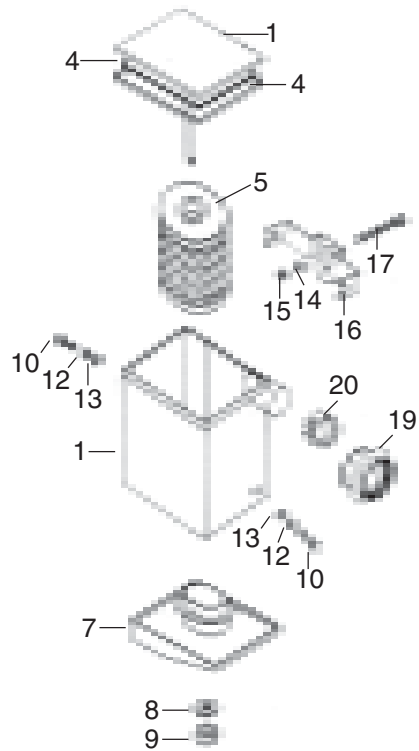


06-20 PULSE AIR VALVE AND BREATHER BOX

Key No.	Part Numbers		Description	Qty.	350								BU 500	Lightning			Bu Mach		T Bird		Remarks	MOQ
	New	Old			Std	Dlx	Mac	Cam	Elec 4S		Elec 5S			500	535	535 ES	A350	A500	KS	ES		
1	560151/B	560151/A	Breather box assy	1	●	●	●	●					●	●	●	●	●			Alternate No. 146274/A	1	
	500444	500454	Breather box assy	1													●			Not Serviced	1	
	521171/A		Breather box assy	1															●		1	
	146025/A		Breather box assy	1					●	●	●	●									1	
	146529/A		Breather box assy	1													●				1	
	521240/C		Breather box assy	1														●	●	●	1	
	560158		Breather box	1	●	●	●	●	●				●	●	●	●	●		●	●	For Mach, After July 2002	1
2	145455/B		Breather return tube	1	●	●	●	●	●	●	●	●	●	●	●			●	●		5	
	500108/A		Breather return tube	1													●				10	
	521161/B		Breather return tube	1														●			1	
	510194/b		Breather return tube	1													●	●			1	
3	143484/B		Breather pipe	1					●	●	●	●									10	
	500128/B	500128/A	Breather pipe	1													●	●	●	●	1	
4	146172/C	146172/B	Breather pipe chain case	1					●	●	●	●					●	●	●	●	2	
5	560156/B	560156/A	Breather pipe - B.box to A/F	1	●	●	●	●	●	●	●	●	●	●	●	●			●	●	1	
	500127		Breather pipe, Long (Old oil circuit)	1													●				Before July 2002	1
	500126/B	500126/A	Breather pipe, Long (New oil circuit)	1													●				After July 2002	1
	581084/A		Breather pipe - B.box to A/F	1													●	●			1	
	510193/A		Breather pipe - B.box to A/F	1															●	●	LTD	1
6	140573/B		Clip, Hose	3	●	●	●	●	●	●	●	●	●	●	●	●			●	●	1	
7	141093		Hex screw	1	●	●	●	●	●	●	●	●	●	●	●	●	●	●	●	●		50
8	143496/A	143496	Washer	2	●	●	●	●	●	●	●	●	●	●	●	●	●	●	●	●		30
9	141060		Hex nut M6	1	●	●	●	●	●	●	●	●	●	●	●	●	●	●	●	●		40
10	510187/A		PAV Unit	1					●	●	●	●	●	●	●		●	●	●	●	LTD	1
11	146748/A		PAV Tube - A/F to PAV Unit	1					●	●	●	●	●	●								1
	510191/B		PAV Tube - A/F to PAV Unit	1													●	●	●	●		1

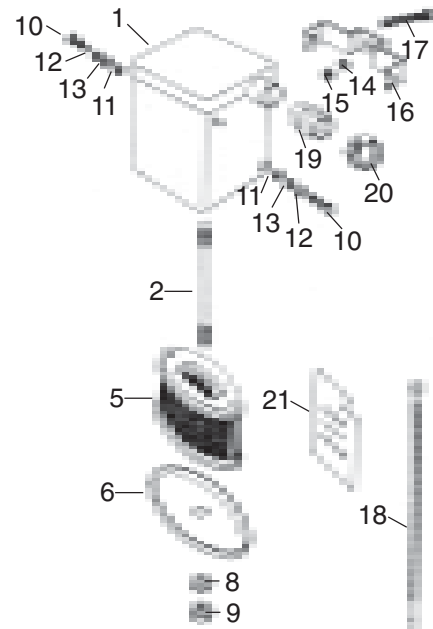
06-20 PULSE AIR VALVE AND BREATHER BOX





A1 - A350

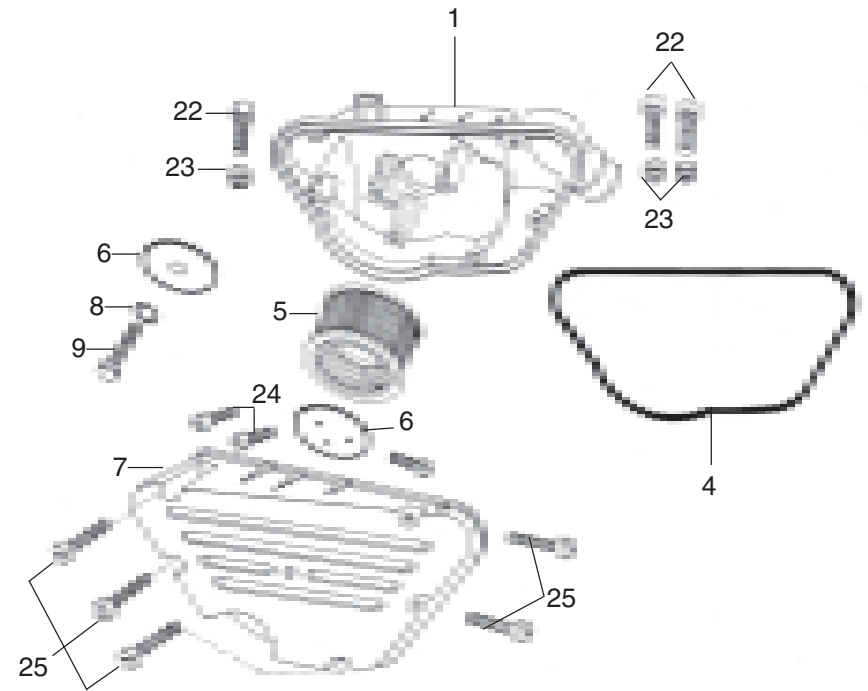
Key Nos.
1,3,4,5,7,8,9



A1 - 350, 500, 535

Key Nos.
1,2,5,6,8,9,21

THUNDERBIRD

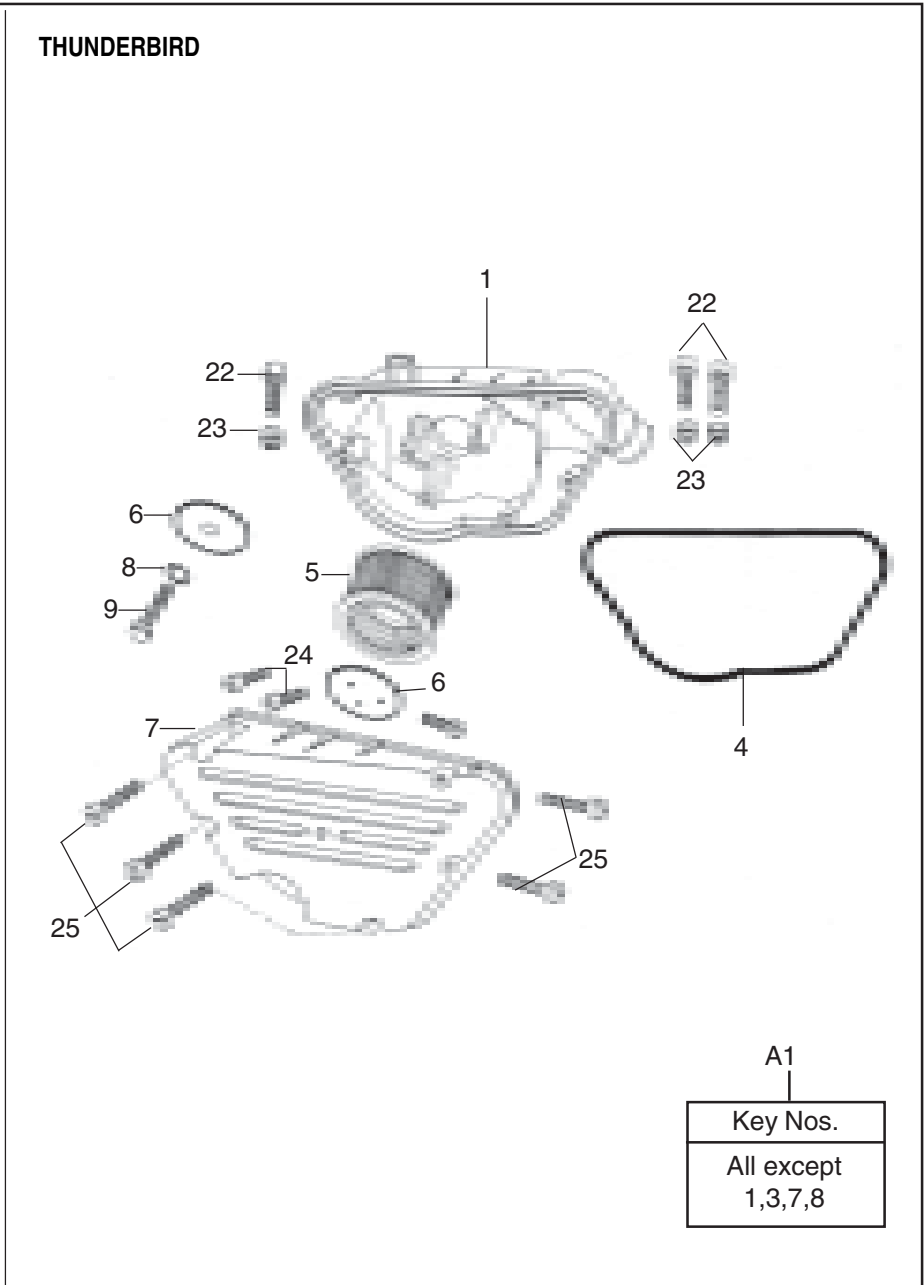
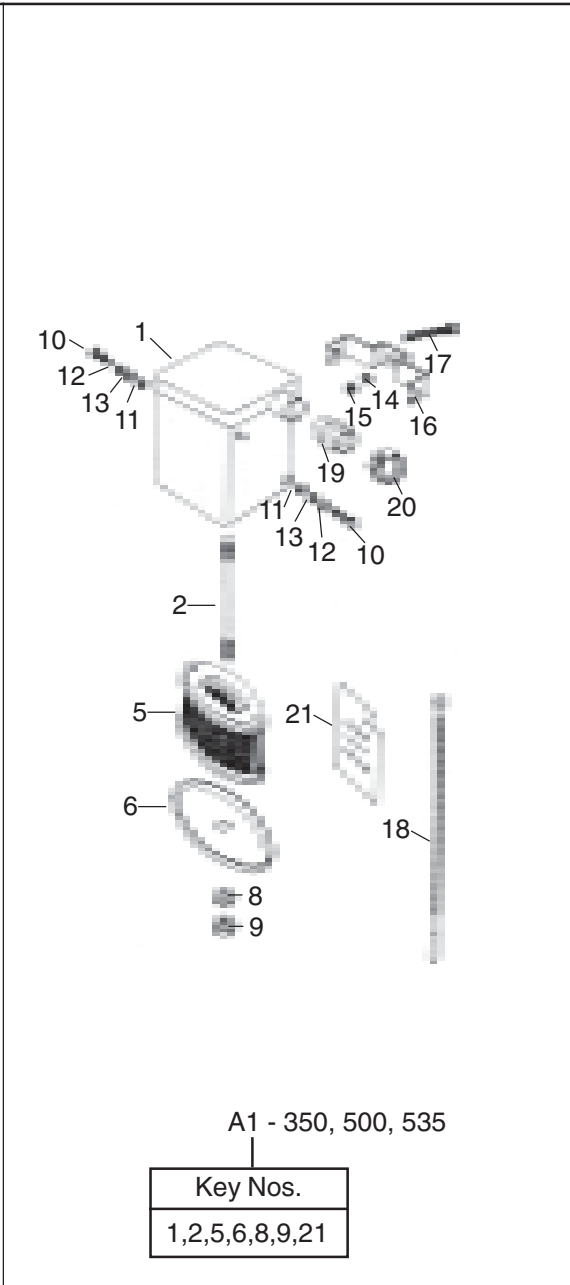
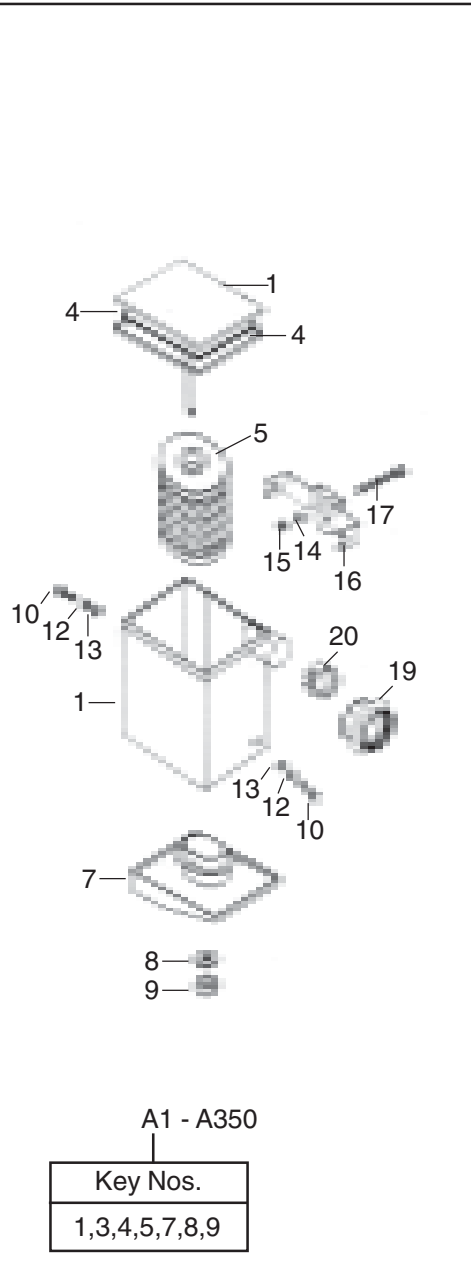


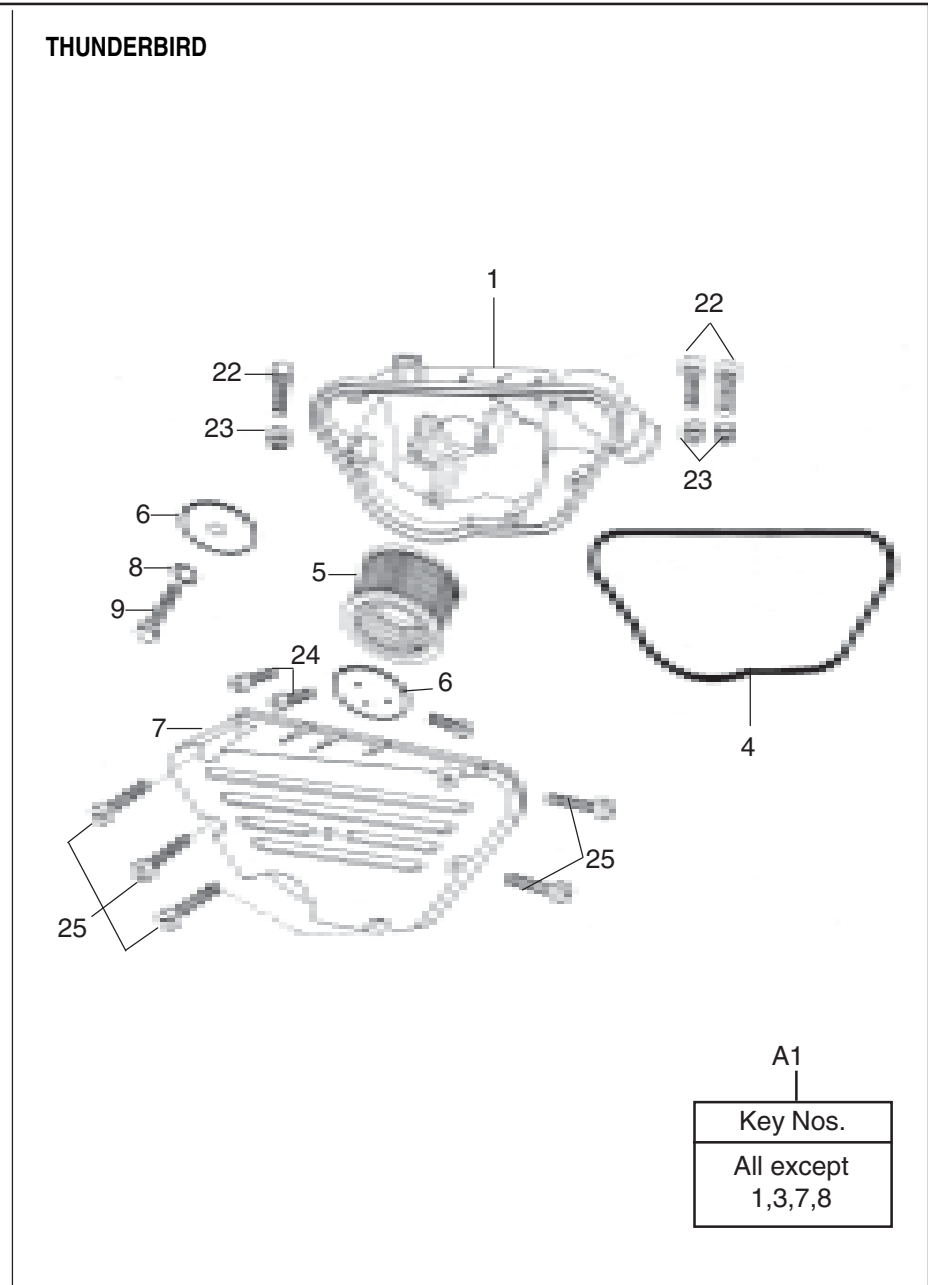
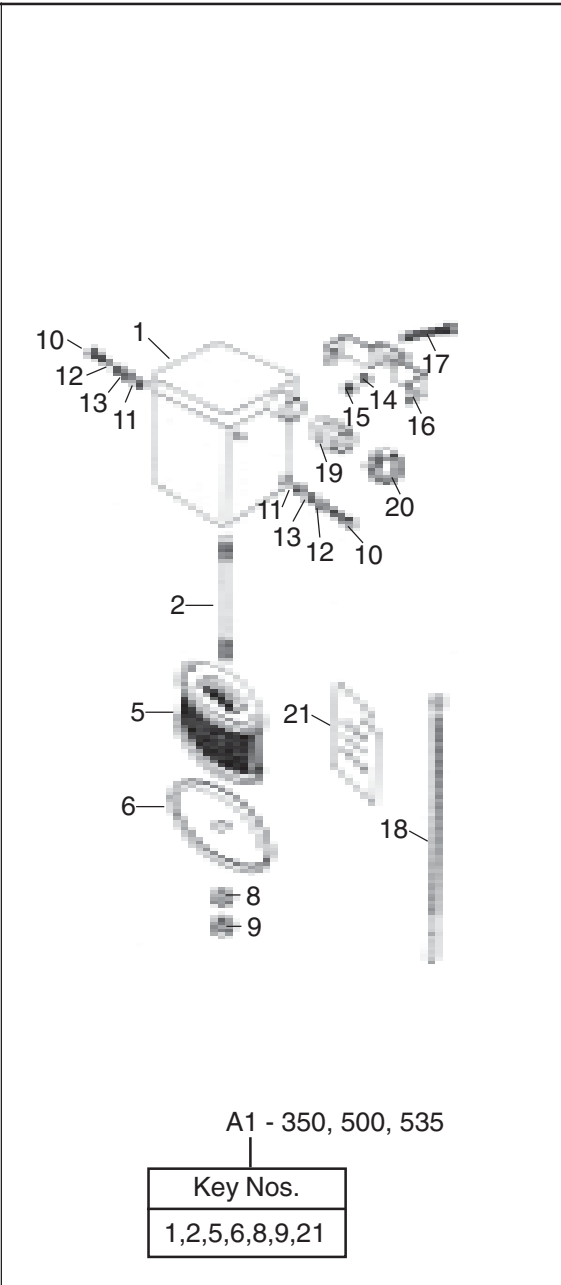
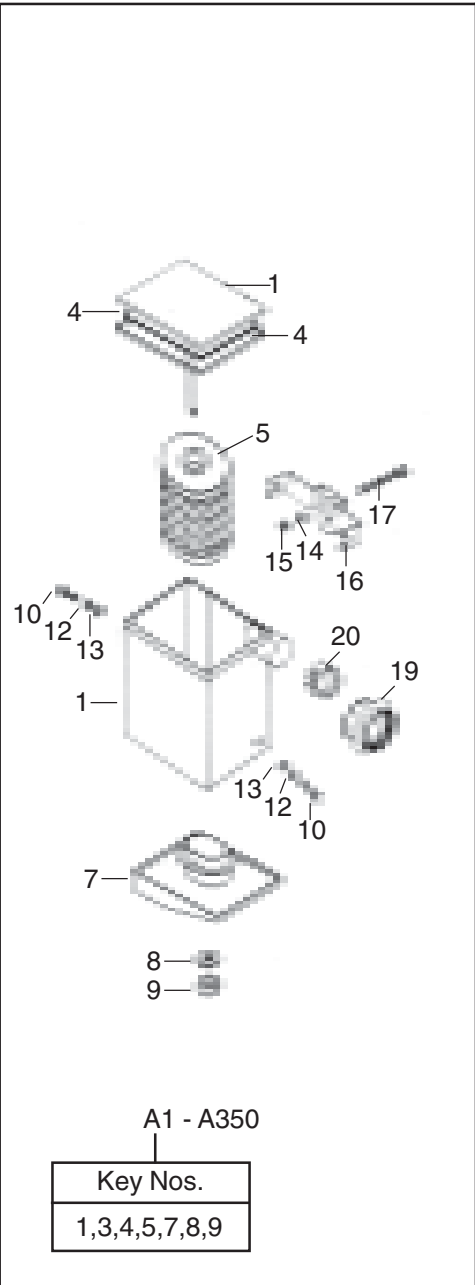
A1

Key Nos.
All except 1,3,7,8

06-30 AIR FILTER ASSEMBLY

Key No.	Part Numbers		Description	Qty.	350								BU 500	Lightning			Bu Mach		T Bird		Remarks	MOQ	
	New	Old			Std	Dlx	Mac	Cam	Elec 4S		Elec 5S			500	500	535	535 ES	A350	A500	KS			ES
									KS	ES	KS	ES											
A1	112057		Air filter assembly	1			•		•	•	•	•									1		
	500727		Air filter assembly	1											•							1	
	170462		Air filter assembly, Plated	1								•	•	•								1	
	801131		Air filter assembly, Black	1	•	•																1	
	802020		Air filter assembly, P.O.Red	1		•																1	
	803013		Air filter assembly, Peacock Blue	1		•																1	
	806050		Air filter assembly, Athena Grey	1							•											1	
	521096		Air filter assembly	1															•			1	
	521237		Air filter assembly	1															•	•		1	
1	801002		Air filter body, Black	1	•	•															1		
	802001		Air filter body, P.O.Red	1		•																1	
	803001		Air filter body, Peacock Blue	1		•																1	
	806001		Air filter body, Athena Grey	1							•											1	
	112058		Air filter body, Plated	1			•		•	•	•	•										1	
	500728		Air filter body, Plated	1											•							1	
	170461		Air filter body, Plated	1								•	•	•								1	
	521091		Air filter body	1															•			1	
	521238/B		Air filter body	1															•	•		1	
2	110671		Stud - Air filter	1	•	•	•	•	•	•	•	•	•	•	•	•	•	•				10	
3	500729		Cover, Air filter	1											•							1	
4	500741		Gasket, Air filter cover	2											•							1	
	521129/A		"O" Ring	1															•	•		1	
5	121161		Air filter element	1	•	•	•	•	•	•	•	•	•	•	•	•	•	•				1	
	500702		Air filter element	1											•							1	
	143548/A		Air filter element	1	•	•	•	•	•			•	•	•	•	•						1	
	521172/A		Air filter element	1															•	•		1	

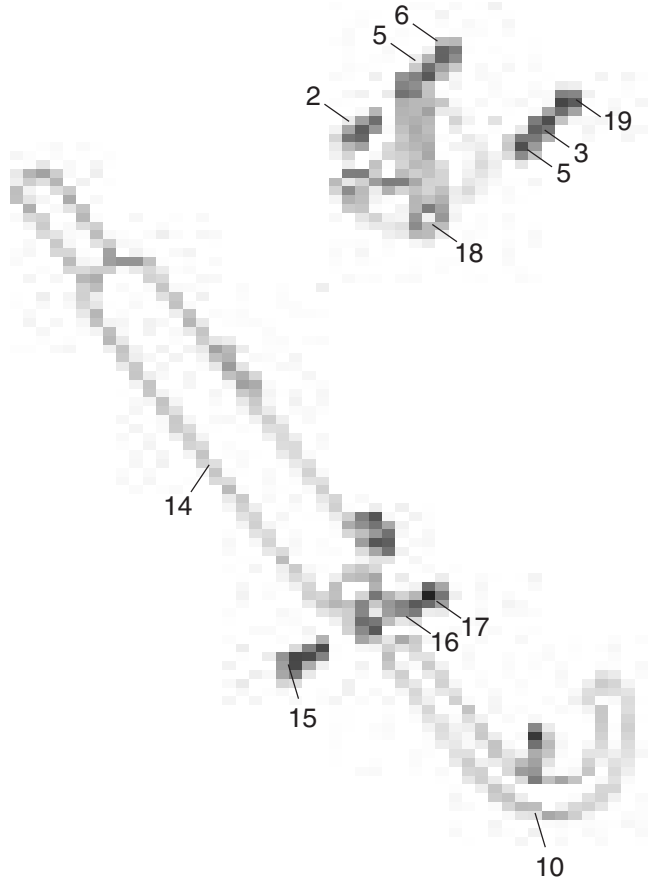
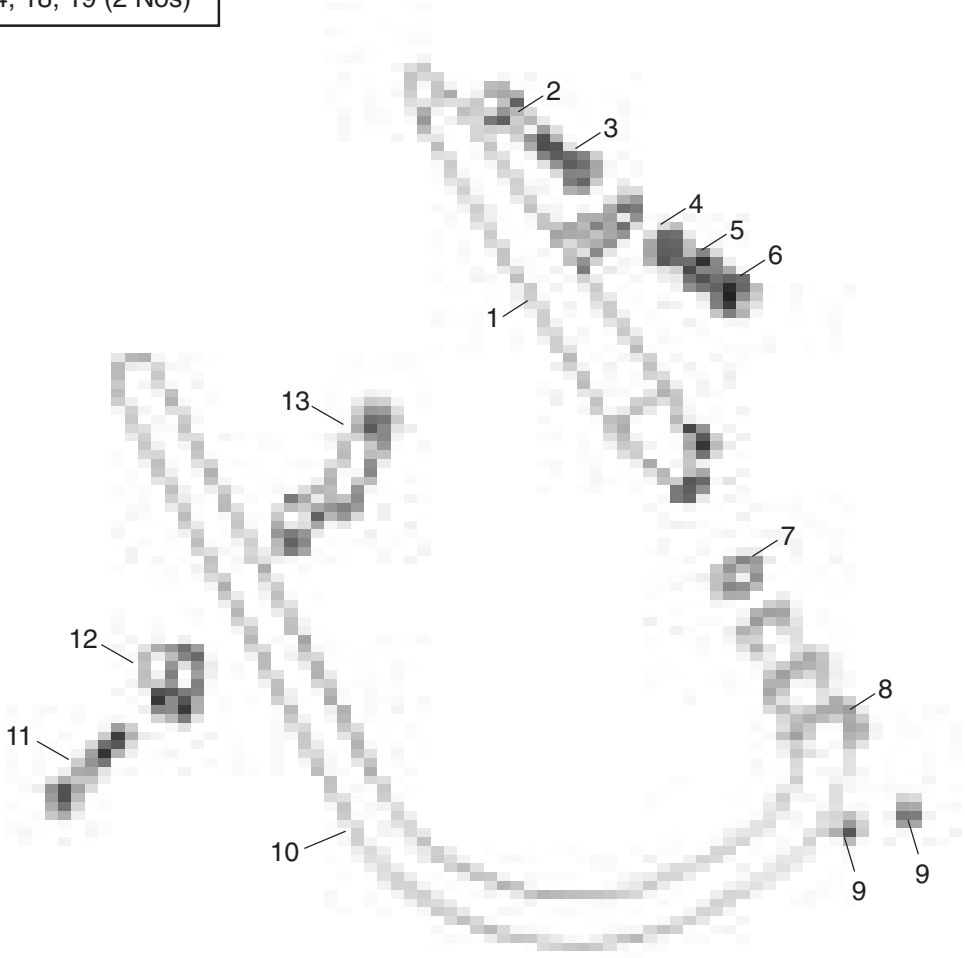




07-10 SILENCER AND EXHAUST PIPE

A1

Key Nos.
5 (2 Nos), 3 (2Nos), 14, 18, 19 (2 Nos)



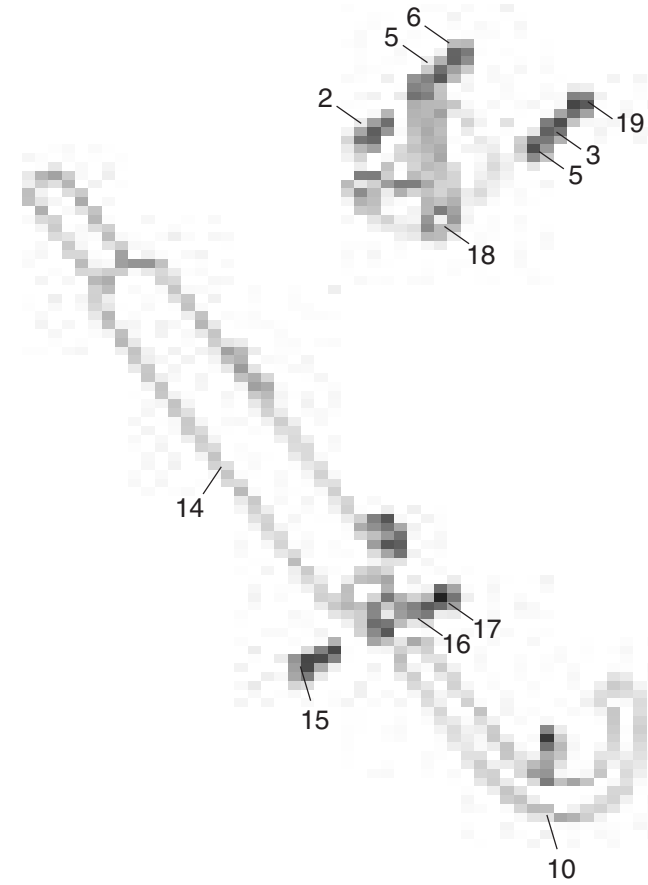
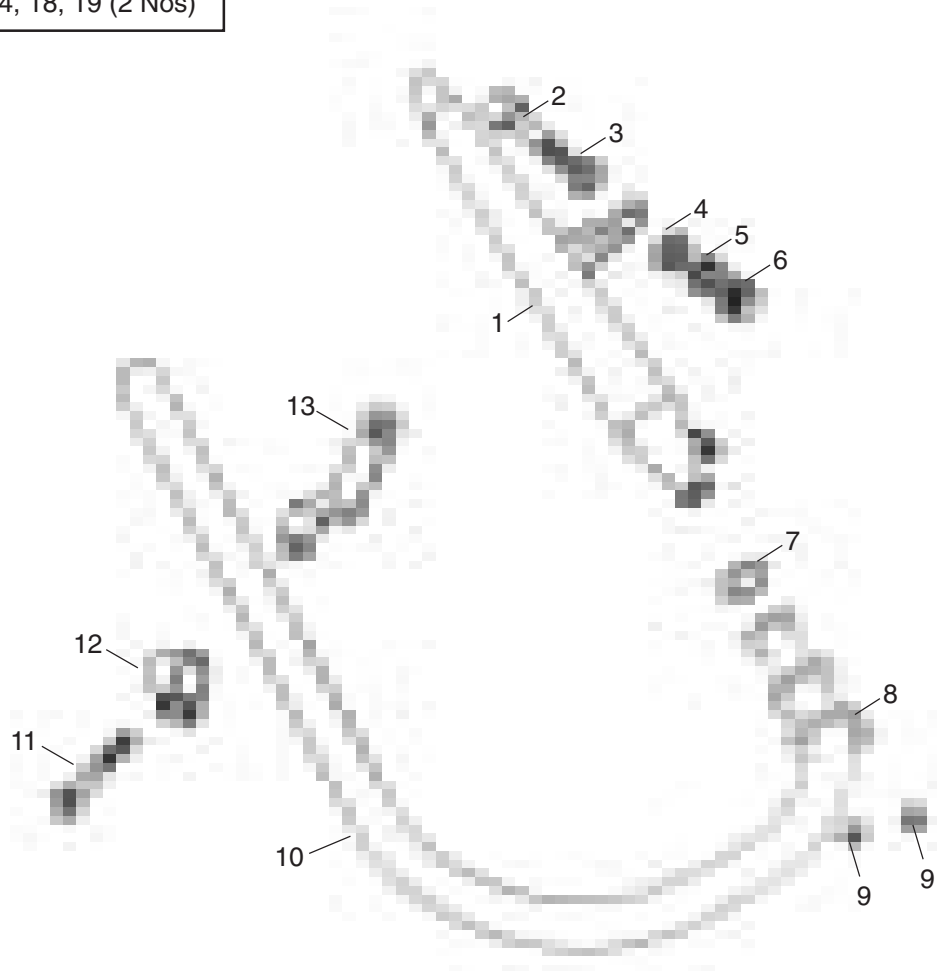
07-10 SILENCER AND EXHAUST PIPE

Key No.	Part Numbers		Description	Qty.	350								BU 500	Lightning			Bu Mach		T Bird		Remarks	MOQ
	New	Old			Std	Dlx	Mac	Cam	Elec 4S KS	Elec 5S ES	KS	ES		500	535	535 ES	A350	A500	KS	ES		
A1	112162		Silencer assy with bracket	1	●	●		●	●							●			Not Serviced	1		
	112101		Silencer assy with bracket	1			●									●			LTD	1		
	142901		Silencer assy with bracket	1							●	●	●	●					Not Serviced	1		
	145434/A		Silencer assy with bracket	1	●	●	●	●	●		●	●	●	●	●	●			After Nov 2002	1		
1	521084/I	521084/H	Silencer assy	1													●	●		1		
2	142258		Bolt	1	●	●	●	●	●	●	●	●	●	●	●					40		
	145861/A		Flange Screw M6 x 20	1											●	●	●	●		10		
3	140080/2		Plain washer	2	●	●	●	●	●	●	●	●	●	●				●	●	50		
4	521151/B		Spacer	1													●	●	LTD	20		
5	140147		Washer shake proof	3	●	●	●	●	●	●	●	●	●	●				●	●	40		
6	141051		Nut	1	●	●	●	●	●	●	●	●	●	●	●					40		
	142182		Nylock nut	1													●	●		30		
7	500804/A		Gasket ring, Exhaust	1												●		●		10		
	500334/A		Gasket ring, Exhaust	1												●		●		10		
	510804/A		Gasket ring, Exhaust	1												●				30		
8	500802		Flange, Exhaust	1											●	●	●	●	Not Serviced	5		
9	500803		Nut	2														●	LTD	1		
	145867/A		Flange, Nut	2											●	●	●	●		30		
10	144123/A		Exhaust pipe	1	●	●	●	●	●										Alternate No. 144055	1		
	145150		Exhaust pipe	1								●	●	●					LTD	1		
	521098/A		Exhaust pipe	1											●				Not Serviced	1		
	521137/A		Exhaust pipe	1														●		1		
	521261/B		Exhaust pipe	1											●		●	●	Alternate No. 144125	1		
	510807/E		Exhaust pipe	1												●			Alternate No. 521137/A	1		
	147220/A		Exhaust pipe	1				●	●	●	●									1		
11	111914		Bolt	1											●				Before Nov 2001	50		

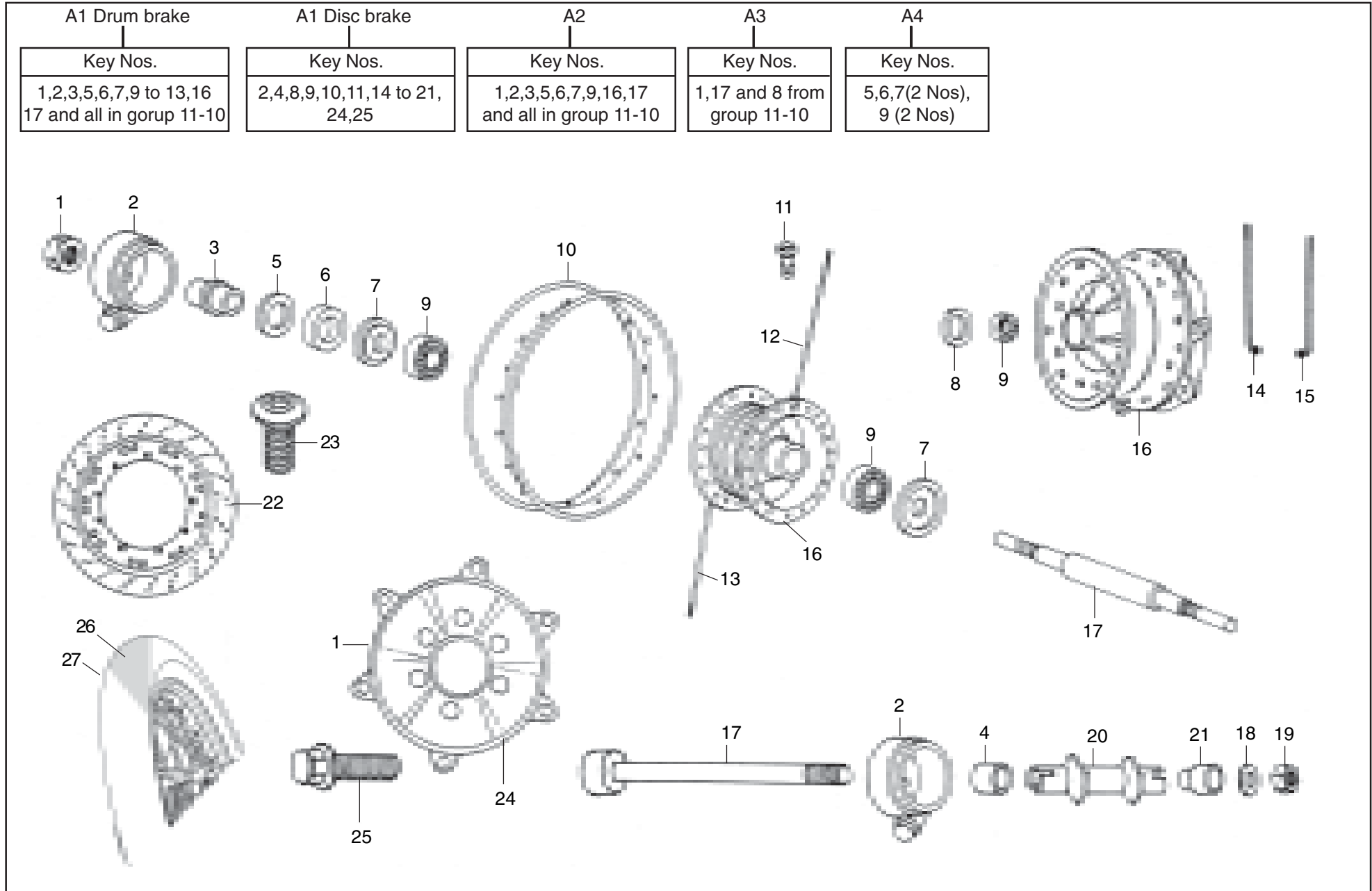
07-10 SILENCER AND EXHAUST PIPE

A1

Key Nos.
5 (2 Nos), 3 (2Nos), 14, 18, 19 (2 Nos)



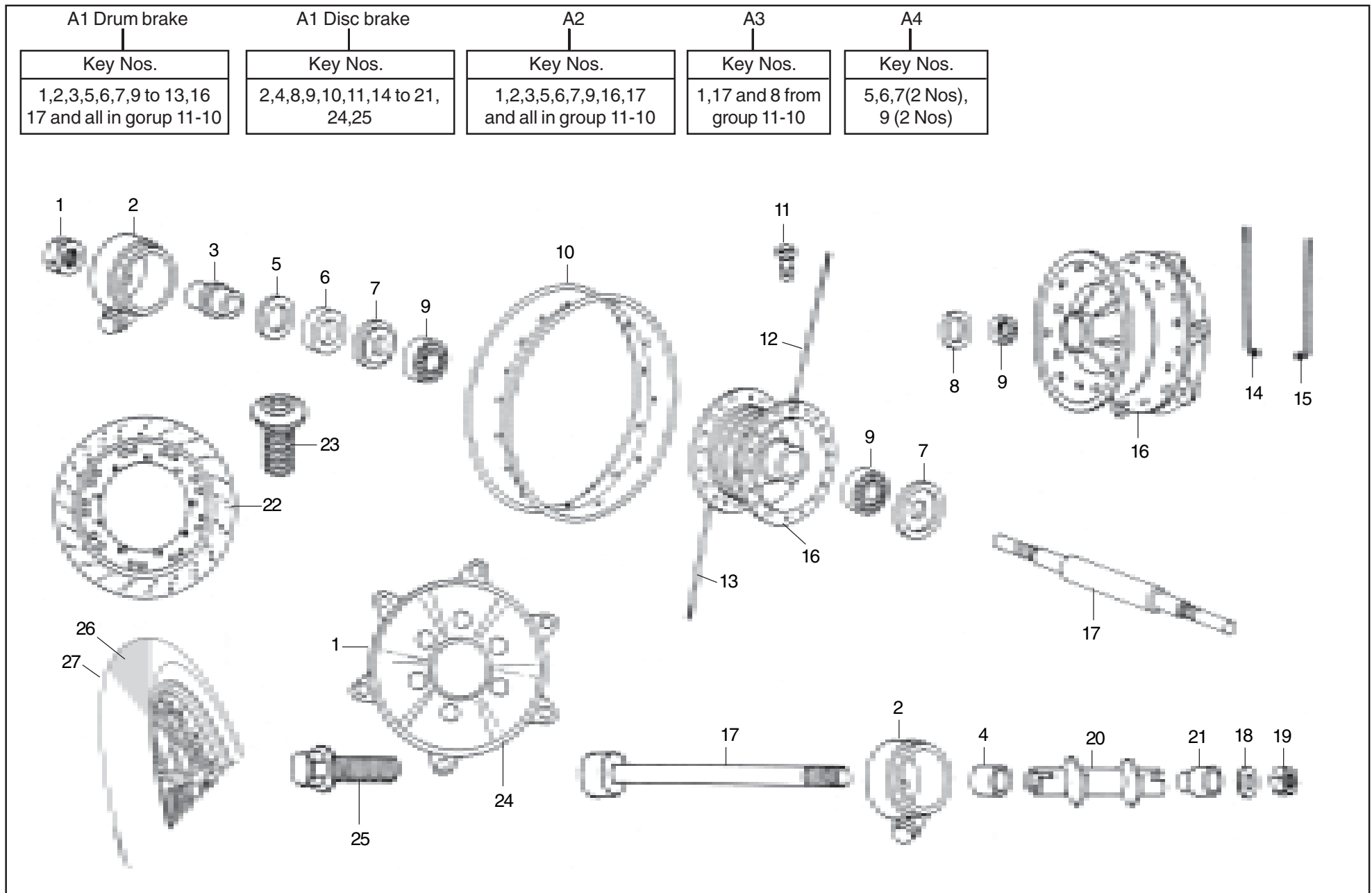
08-10 FRONT WHEEL & HUB

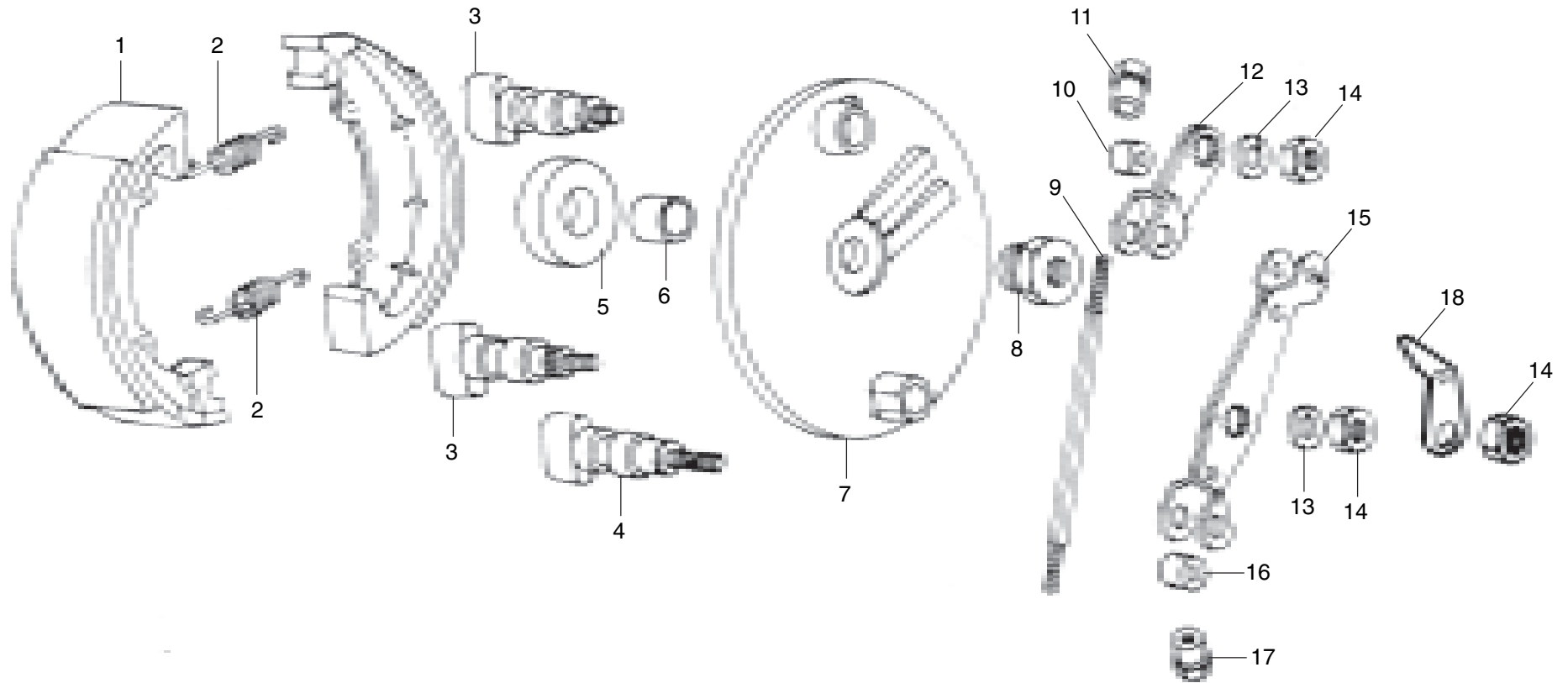


08-10 FRONT WHEEL & HUB

Key No.	Part Numbers		Description	Qty.	350								BU	Lightning			Bu Mach		T Bird		Remarks	MOQ		
	New	Old			Std	Dlx	Mac	Cam	Elec 4S		Elec 5S			500	500	535	535 ES	A350	A500	KS			ES	
								KS	ES	KS	ES													
A1	143966		Front wheel assembly (Drum)	1	●	●	●	●					●				●					Wheel rim 1.5 mm thickness	1	
	170395		Front wheel assembly	1					●	●	●	●		●	●	●				●	●		Not Serviced	1
	560526		Front wheel assembly (For disc brake bikes)	1					●	●	●	●					●			●	●			1
	147360		Front wheel assembly	1													●	●					Not Serviced	1
A2	143967		Front hub assembly	1	●	●	●	●	●	●	●	●	●	●	●	●				●	●		LTD	1
A3	144293		Front spindle kit	1	●	●	●	●	●	●	●	●	●	●	●	●				●	●			1
A4	144295		Front wheel bearing kit	1	●	●	●	●	●	●	●	●	●	●	●	●				●	●			1
1	124334/3		Nut	1	●	●	●	●	●	●	●	●	●	●	●	●				●	●			10
2	144571/B		Speedo hub drive assembly	1	●	●	●	●	●	●	●	●	●	●	●	●				●	●			1
	560524/B		Speedo hub drive assy - Disc Brake	1					●	●	●	●					●	●		●	●			1
3	110334/D		Collar, Speedo drive	1	●	●	●	●	●	●	●	●	●	●	●				●	●				6
4	560523/E		Spacer (For disc brake bikes)	1					●	●	●	●					●	●		●	●			1
5	110293/2		Retainer	1	●	●	●	●	●	●	●	●	●	●	●				●	●				10
6	110292/C		Felt washer	1	●	●	●	●	●	●	●	●	●	●	●				●	●				20
7	110970/B		Retainer	2	●	●	●	●	●	●	●	●	●	●	●				●	●				30
8	141109/1		Grease seal (For disc brake bikes)	2					●	●	●	●					●	●		●	●			5
9	150324/A		Bearing 6203.2 Z R - C3 (For drum brake bikes)	2	●	●	●	●					●	●	●								Before July 2002	1
	145552/B		Bearing, Rubber seal 6203 RS1-C3 (For drum brake bikes)	2	●	●	●	●	●	●	●	●	●	●	●	●	●	●	●	●	●	●		Alternate No. 150324/A
10	141133/A		Wheel rim WM 2-19	1	●	●	●	●	●	●	●	●	●	●	●	●	●	●	●	●	●		Alternate No. 145507/B	1
11	110349		Spoke nipples	40	●	●	●	●	●	●	●	●	●	●	●				●	●				1
12	142176		Spokes, Outer	20	●	●	●	●	●	●	●	●	●	●	●				●	●				20
13	142175/3		Spokes, Inner	20	●	●	●	●	●	●	●	●	●	●	●				●	●				1
14	560502/D		Spokes, Long (For disc brake bikes)	20					●	●	●	●					●	●		●	●			20
15	560519/D		Spokes, Short (For disc brake bikes)	20					●	●	●	●					●	●		●	●			20

08-10 FRONT WHEEL & HUB





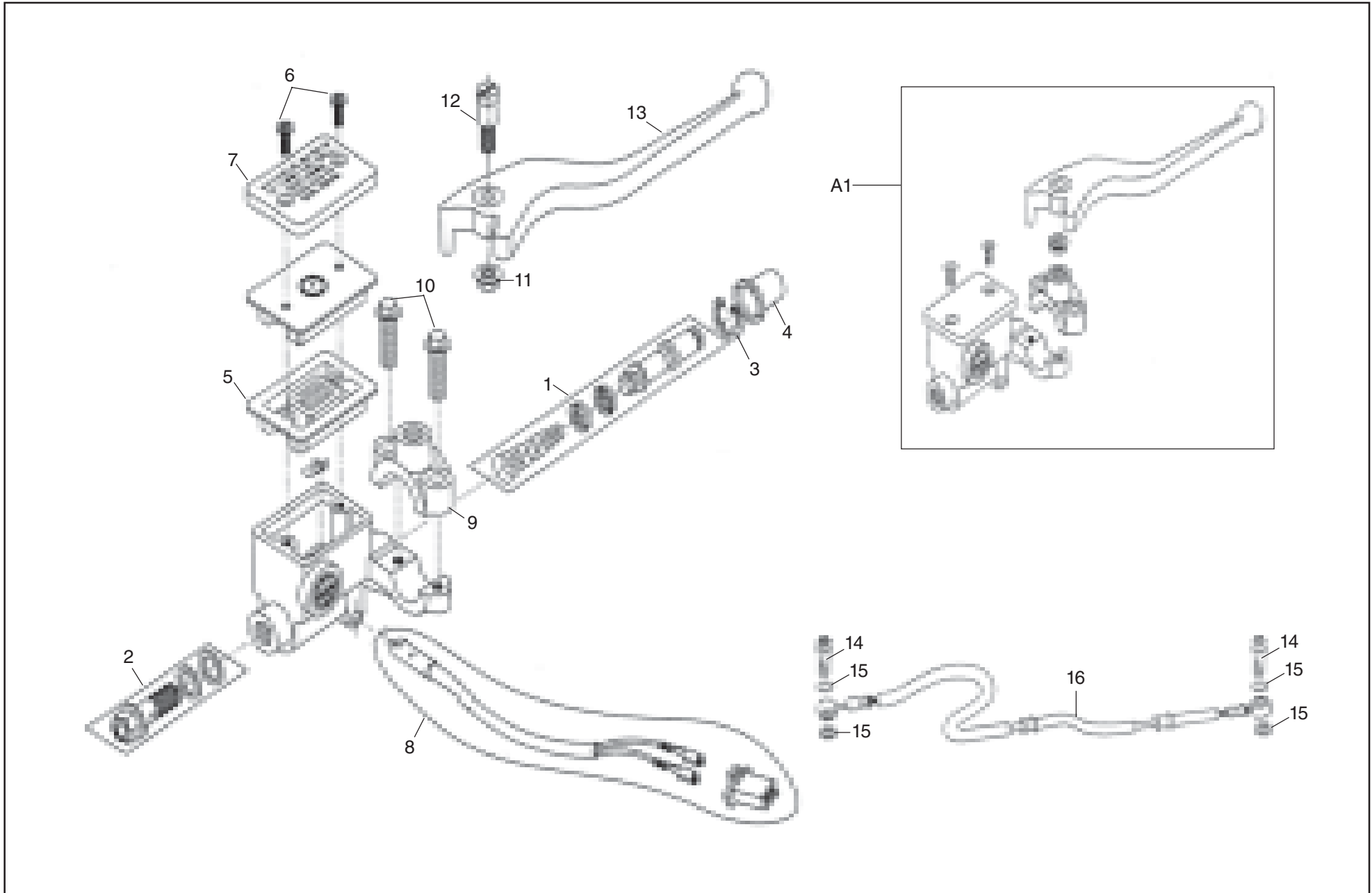
A2

Key Nos.
1 (2 Nos), 2 (2 Nos), 3(2 Nos), 7,9,10,11,12,12 (2 Nos), 14 (2 Nos), 15,16,17

A2

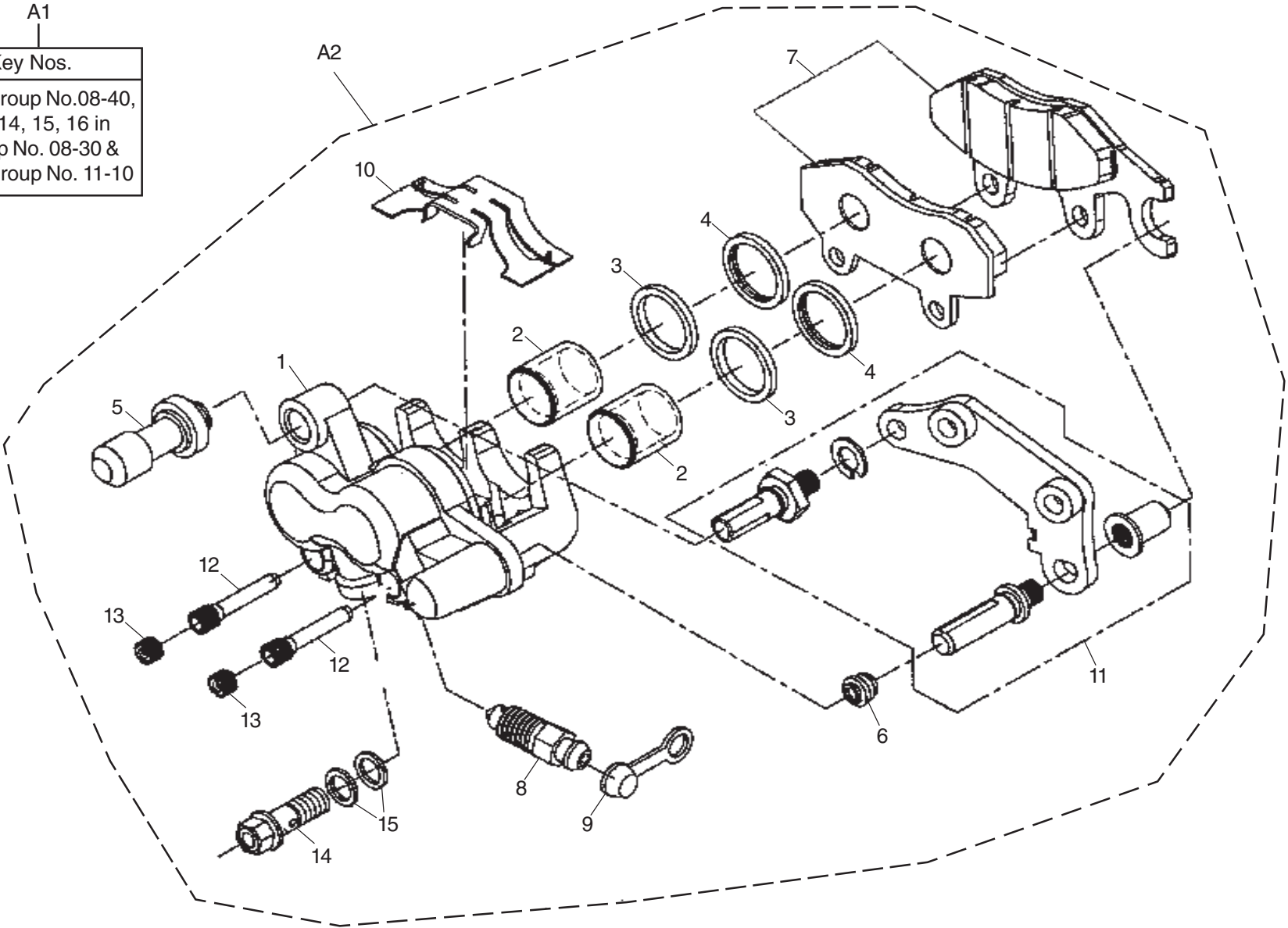
Key Nos.
1 (2 Nos), 2 (2 Nos), 3,4,7,9 10,11,12,13 (2 Nos), 14 (2 Nos), 15,16,17,18

08-30 MASTER CYLINDER ASSEMBLY



08-40 CALIPER ASSEMBLY

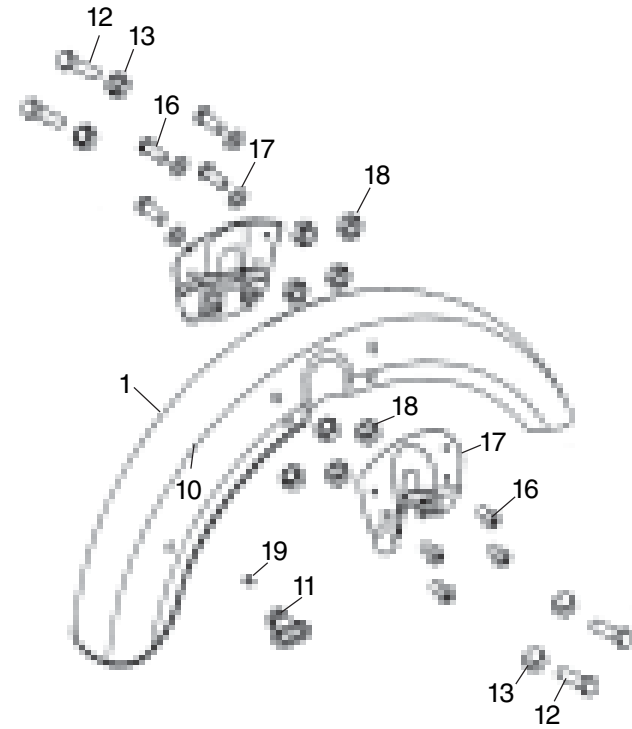
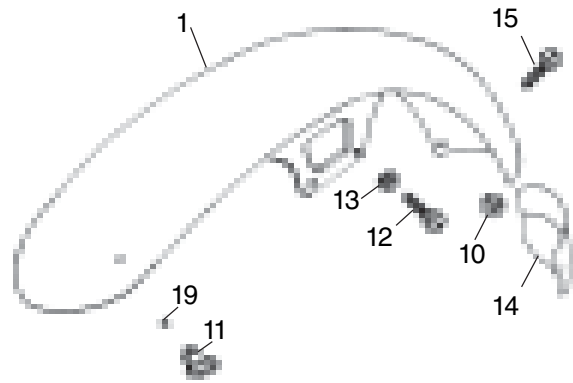
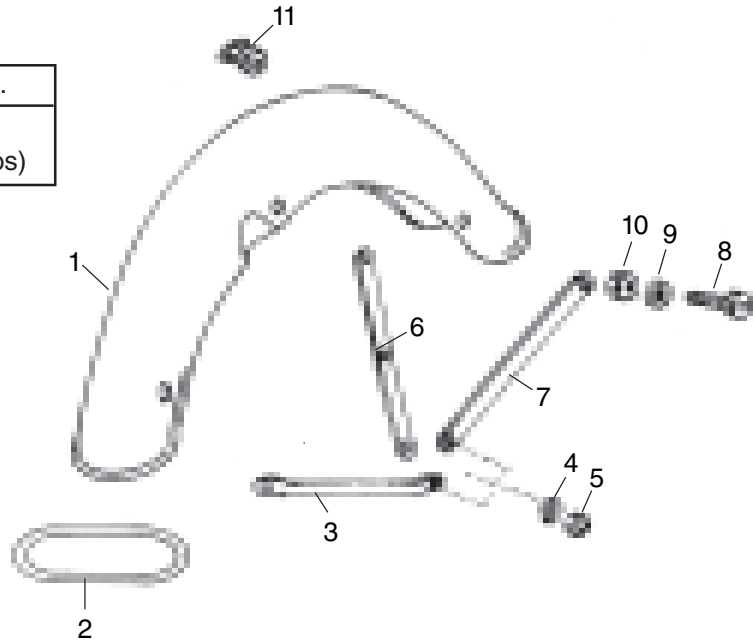
A1
Key Nos.
A2 in Group No.08-40,
A1, 14, 15, 16 in
Group No. 08-30 &
22 in Group No. 11-10



08-50 FRONT MUDGUARD

A1

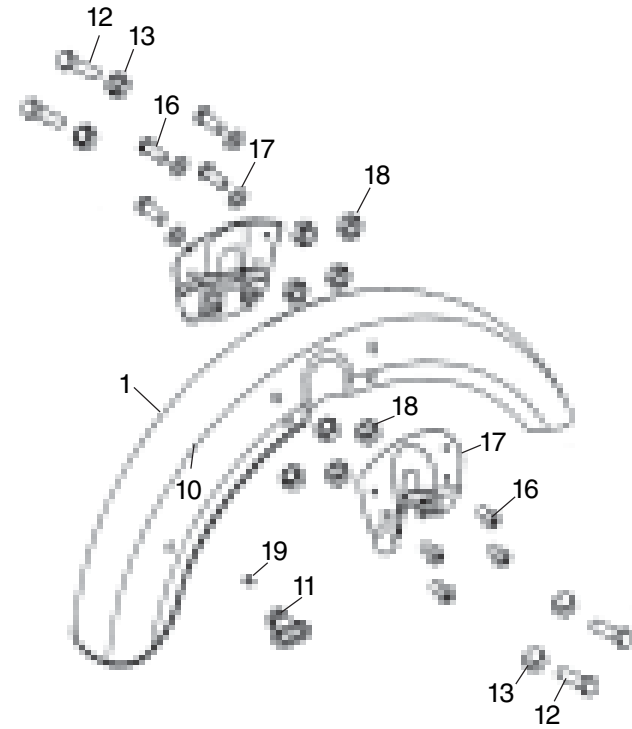
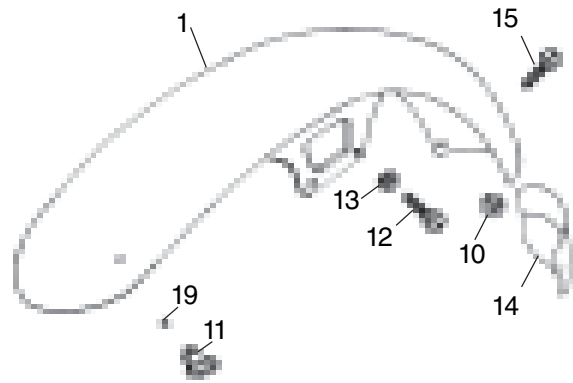
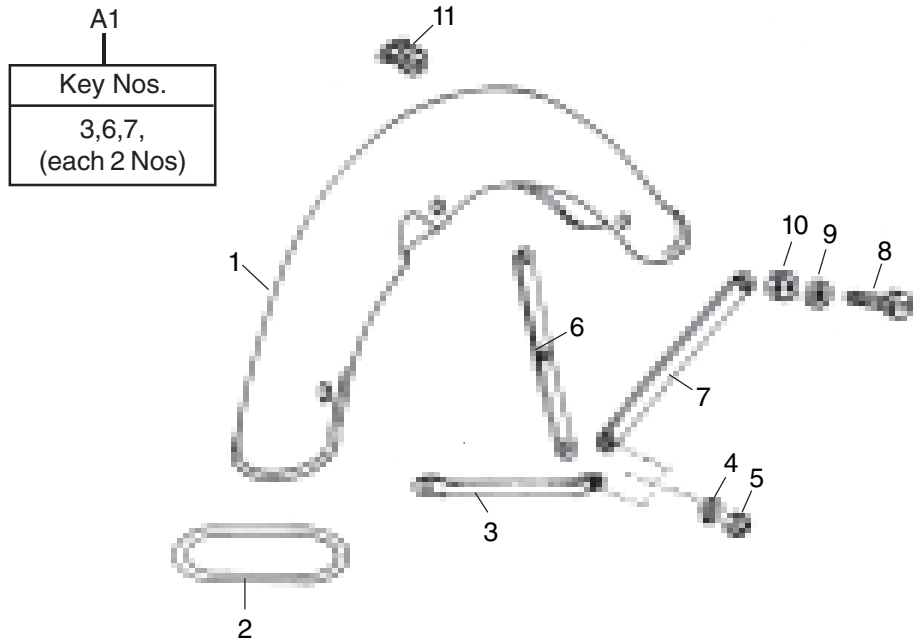
Key Nos.
3,6,7, (each 2 Nos)



08-50 FRONT MUDGUARD

Key No.	Part Numbers		Description	Qty.	350								BU 500	Lightning			Bu Mach		T Bird		Remarks	MOQ
	New	Old			Std	Dlx	Mac	Cam	Elec 4S		Elec 5S			500	535	535 ES	A350	A500	KS	ES		
									KS	ES	KS	ES										
A1	597097		Front mudguard stay kit, Black	1	●															1		
	597104		Front mudguard stay kit, Plated	1		●	●														1	
	597163		Front mudguard stay kit, Plated	1				●				●	●	●	●					Not Serviced	1	
	597102		Front mudguard stay kit, Athena Gray	1							●										1	
1	801046		Fr Mudguard, Black	1	●																1	
	143098		Fr Mudguard, Plated	1		●	●														1	
	111263		Fr Mudguard, Plated	1				●													1	
	580730/A		Fr Mudguard, Plated (For disc brake bike)	1				●	●	●	●										1	
	806007		Fr Mudguard, Athena Gray	1							●										1	
	801078		Fr. Mudguard with stickers, Black/Red	1								●	●	●						LTD	1	
	807004		Fr. Mudguard with stickers, Purple/Grey	1								●	●	●						Not Serviced	1	
	808004		Fr. Mudguard with stickers, Cognac/S.Wood	1								●	●	●						Not Serviced	1	
	809004		Fr. Mudguard with stickers, Burgundy/S.wood	1								●	●	●						Not Serviced	1	
	810004		Fr. Mudguard with stickers, Grey/Black	1								●	●	●							1	
	836011		Fr. Mudguard with stickers, Riv.Red/S.Wood	1										●						Not Serviced	1	
	837011		Fr. Mudguard with stickers, Gold/Black	1										●						Not Serviced	1	
	540011/B		Fr Mudguard, Plated	1											●	●					1	
	836049		Fr Mudguard, Riv Red	1													●	●			1	
	844001		Fr Mudguard, Ocean Black	1													●	●		LTD	1	
	2	170483		Stricker, Black/Red	1								●	●	●						Not Serviced	1
170484			Stricker, Purple/Grey	1								●	●	●						Not Serviced	1	
170485			Stricker, Burgundy/Sandalwood	1								●	●	●						Not Serviced	1	
170498			Stricker, Grey/Black	1								●	●	●						Not Serviced	1	
3	801043		Stay front, Black	2	●																4	
	112183		Stay front, Plated	2		●	●														2	
	111264		Stay front, Plated - CR Plated	2				●				●	●	●							1	
	806020		Stay front, Athena Grey	2							●									Not Serviced	1	

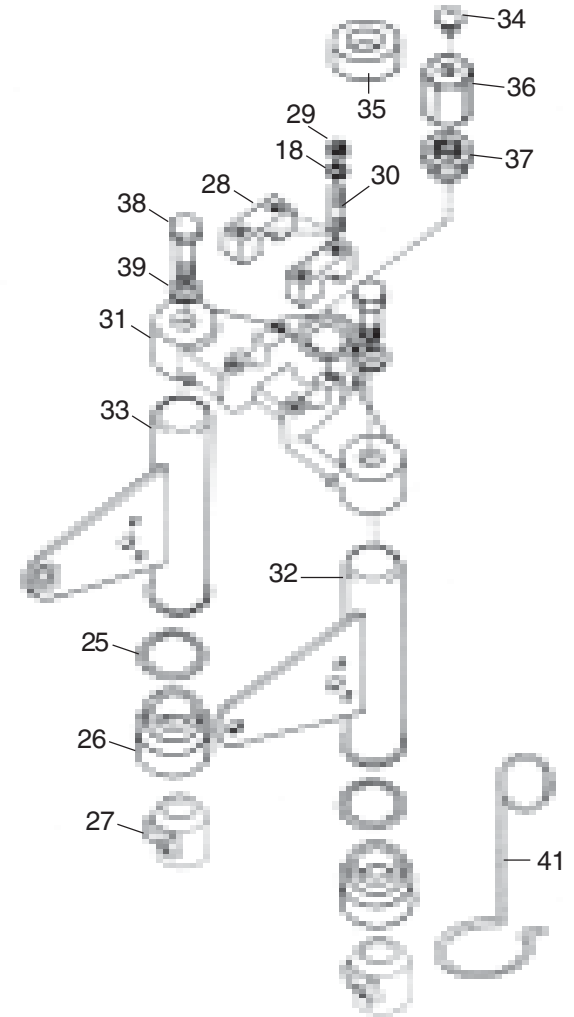
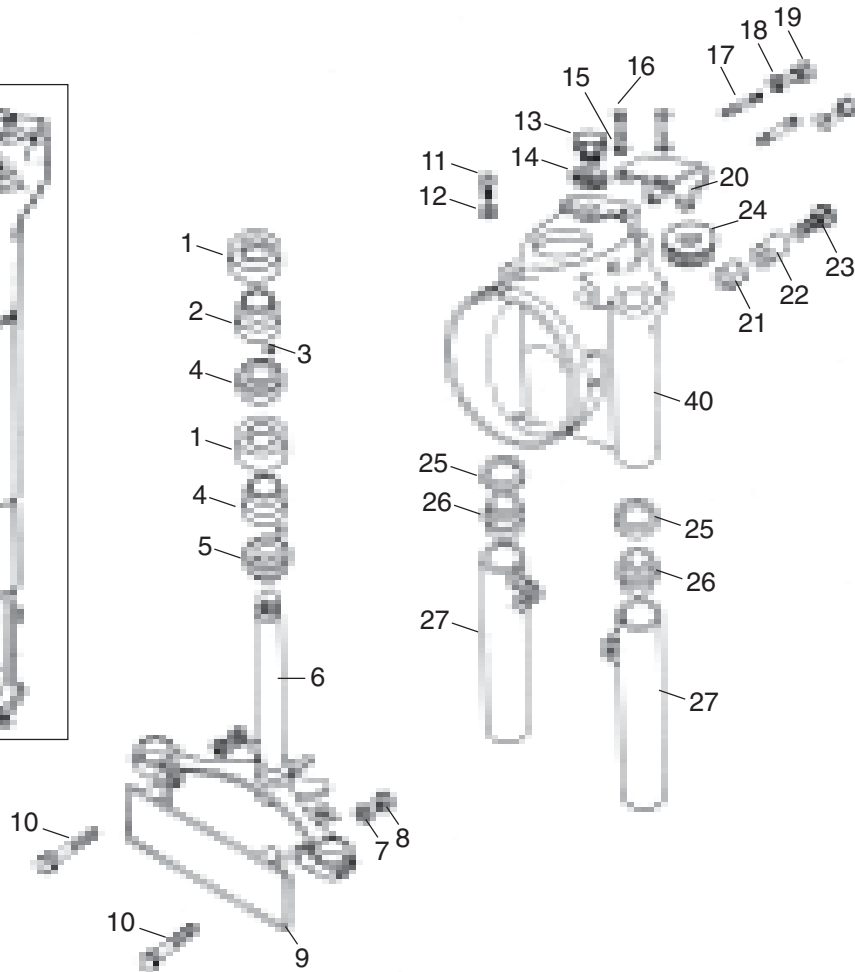
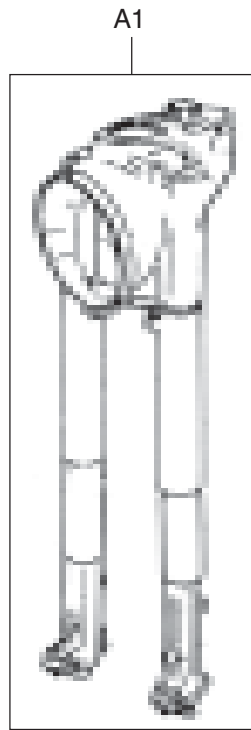
08-50 FRONT MUDGUARD



08-50 FRONT MUDGUARD

Key No.	Part Numbers		Description	Qty.	350								Lightning				Bu Mach		T Bird		Remarks	MOQ
	New	Old			Std	Dlx	Mac	Cam	Elec 4S		Elec 5S		BU	500	535	535	A350	A500	KS	ES		
							KS		ES		500	500	535	535								
4	140147		Lock washer	6	●	●	●	●				●	●	●	●						40	
5	140191		Hex nut	6	●	●	●					●									1	
	144863/A		Domed cap nut	6				●					●	●	●						10	
6	801044		Stay center, Black	1	●																4	
	112185		Stay center, Plated	2		●	●														2	
	111265		Stay center, Plated	2				●					●	●	●						1	
	806021		Stay center, Athena Grey	1								●									1	
7	801045		Stay Rear, Black	1	●																5	
	112187		Stay Rear, Plated	2		●	●														2	
	111266		Stay Rear, Plated	2				●					●	●	●						1	
	806022		Stay Rear, Athena Grey	1								●									1	
8	153355/4		Screw	6	●	●	●	●				●	●	●	●						1	
9	140129		Lock washer	6	●	●	●														50	
10	140056/3		Hex nut	6	●	●	●	●	●	●	●	●	●	●	●	●	●	●	●	●	Alternate No. 141306/2	40
11	142532/B		Cable guide	1	●	●	●	●	●	●	●	●	●	●	●				●	●	20	
12	145862/A		Flange Hex screw M8 x 16	4				●	●	●	●							●	●		10	
	142258		Hex Screw	4												●	●					
13	210026	143270	Spring washer	4				●	●	●	●					●	●				1	
14	146797	521069/B	Fr. Mudguard extension	1				●	●	●	●							●	●		1	
15	145882/A		Pan head screw M6x14	2				●	●	●	●							●	●			
16	145883		Pan head screw M6x15	8												●	●			Alternate No. 142274		
17	540023		Bracket LH	1												●	●					
	540024		Bracket RH	1												●	●					
18	141306/2		Nut Nyloc, M6	8												●	●					
19	146381		Pin	1												●	●					

09-10 HEADLAMP CASING



A2

Key Nos.
2,3 (38 Nos), 4 (2 Nos), 5

A3

Key Nos.
1,2,3(38 Nos), 4(2 Nos), 5

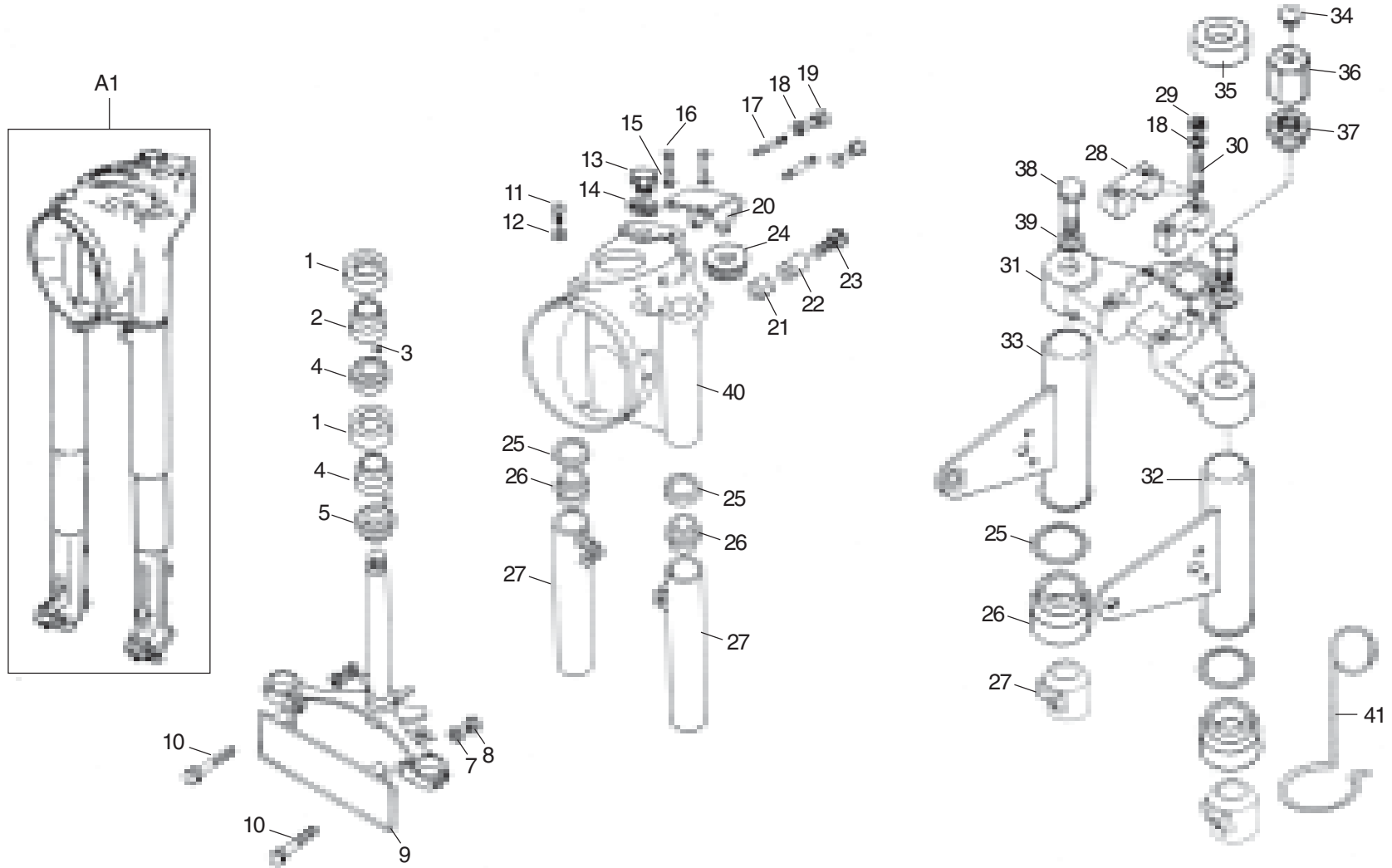
A4

Key Nos.
32, 33

09-10 HEADLAMP CASING

Key No.	Part Numbers		Description	Qty.	350										BU			Lightning			Bu Mach		T Bird		Remarks	MOQ
	New	Old			Std	Dlx	Mac	Cam	Elec 4S		Elec 5S		500	500	535	535 ES	A350	A500	KS	ES						
									KS	ES	KS	ES														
A1	141690		Fork and casing assembly	1	●	●	●	●					●					●					LTD	1		
A2	597010		Ball race kit	1	●	●	●	●	●	●	●	●	●	●	●	●	●	●	●	●	●	●		1		
A3	597204		Ball race kit with cover	2	●	●	●	●	●	●	●	●	●	●	●	●	●	●	●	●	●	●		1		
A4	597119		Head lamp holder kit	1										●	●	●								1		
1	144603		Cover	1	●	●	●	●					●	●	●	●							Not Serviced	14		
	145446/A		Cover	1	●	●	●	●	●	●	●	●	●	●	●	●	●	●	●	●	●	●	After May 2001	20		
2	144583/E		Ball race, Head lamp casing	1	●	●	●	●	●	●	●	●	●	●	●	●	●	●	●	●	●	●		1		
3	140201		Ball 1/4"	38	●	●	●	●	●	●	●	●	●	●	●	●	●	●	●	●	●	●		50		
4	144582/E	144582	Ball race, Frame	2	●	●	●	●	●	●	●	●	●	●	●	●	●	●	●	●	●	●		1		
5	144581/E		Ball race	1	●	●	●	●	●	●	●	●	●	●	●	●	●	●	●	●	●	●		2		
6	801275	801005	Steering stem	1	●	●	●	●	●	●	●	●	●					●	●					1		
	801067		Steering stem	1										●	●									1		
	801269		Steering stem	1														●					LTD	1		
	804024		Steering stem	1																	●	●		1		
7	140080/2	140080/2	Washer	2	●	●	●	●					●	●	●	●	●	●	●	●	●	●		1		
8	142182		Nut	2	●	●	●	●					●	●	●	●	●	●	●	●				40		
	145867/A		Nut M8	2					●	●	●	●									●	●		30		
9	845001	801008	Number plate, Front	1	●	●	●	●					●	●	●	●	●	●	●	●	●	●		1		
	143808		Number plate, Front	1					●	●	●	●												1		
10	591462/A		Hex screw	2	●	●	●	●					●	●	●	●								20		
	145863/A		Flange bolt (M8 x 70)	2					●	●	●	●						●	●	●	●	●		10		
11	140553		Plug Screw	2	●	●	●						●										LTD	6		
	140558/B		Plug Screw	2				●	●	●	●	●						●	●					1		
12	150254/B		"O" Ring	2	●	●	●	●	●	●	●	●	●					●	●					50		
13	110116/B	110116	Lock nut	1	●	●	●	●	●	●	●	●	●					●	●					1		
14	140189/3	140189/B	Washer	1	●	●	●	●	●	●	●	●	●					●	●					10		

09-10 HEADLAMP CASING



A2

Key Nos.
2,3 (38 Nos), 4 (2 Nos), 5

A3

Key Nos.
1,2,3(38 Nos), 4(2 Nos), 5

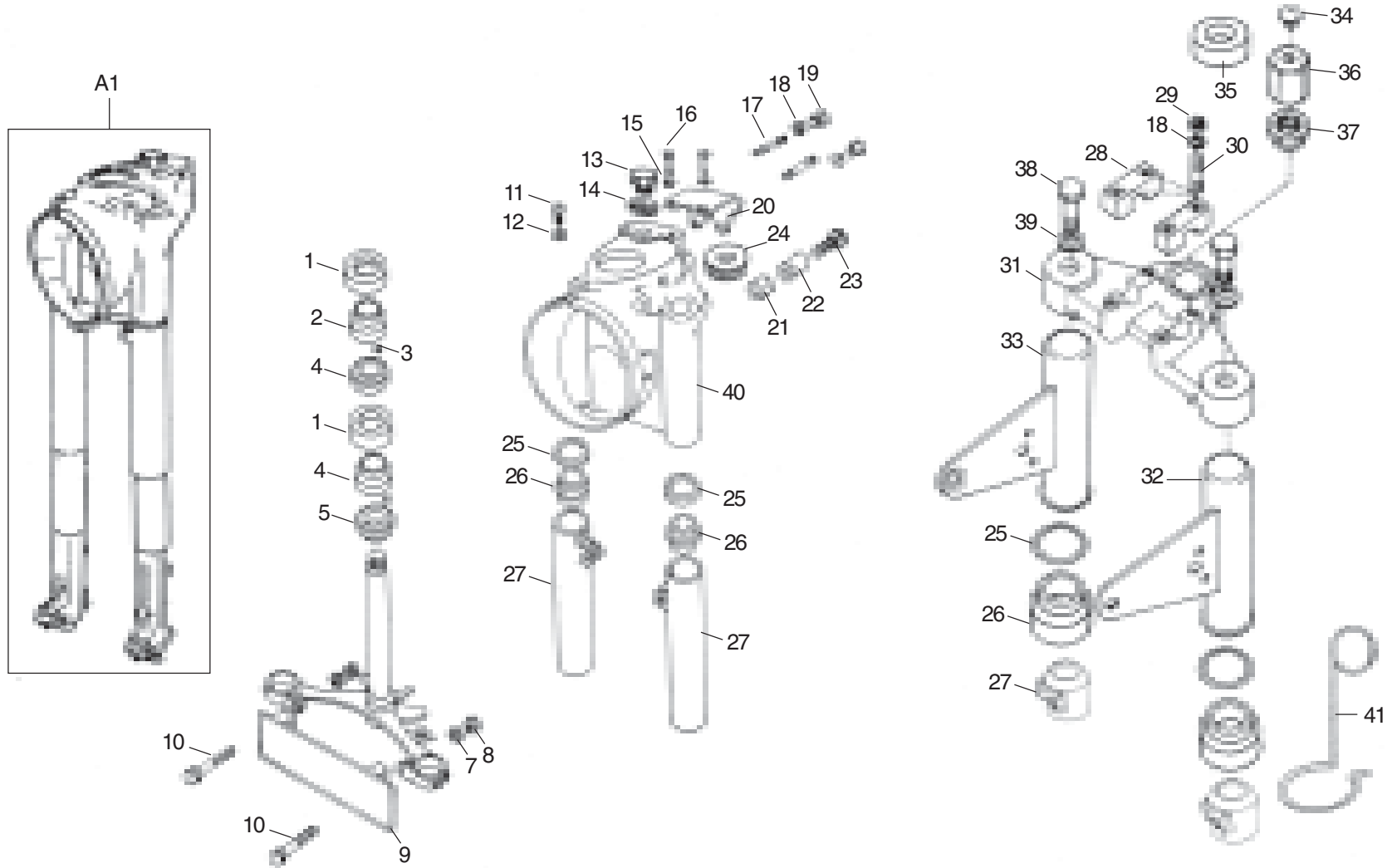
A4

Key Nos.
32, 33

09-10 HEADLAMP CASING

Key No.	Part Numbers		Description	Qty.	350								BU 500	Lightning			Bu Mach		T Bird		Remarks	MOQ
	New	Old			Std	Dlx	Mac	Cam	Elec 4S		Elec 5S			500	535	535 ES	A350	A500	KS	ES		
									KS	ES	KS	ES										
15	140206/5		Washer	2	●	●	●	●	●	●	●				●	●				50		
16	143823		Screw	2	●	●	●	●			●									5		
	146032/A		Hex Bolt	2				●	●	●	●				●	●				2		
17	143818/1		Stud	2	●	●	●	●	●	●	●				●	●				10		
18	146610/A		Washer	2	●	●	●	●	●	●	●				●	●				20		
19	143825/1		Nut	2	●	●	●	●	●	●	●				●	●				10		
20	140202/C		Clip, Handle bar	1	●	●	●	●	●	●	●				●	●				1		
21	140195	140195/C	Sleeve, Threaded	1	●	●	●	●	●	●	●				●	●			Alternate No. 147651/A	10		
22	140196/D	140196/C	Sleeve, Plain	1	●	●	●	●	●	●	●				●	●				1		
23	140194	140194/5	Allen bolt	1	●	●	●	●	●	●	●				●	●				2		
24	500809/C	500809	Adaptor	1	●	●	●	●	●		●				●				Not Serviced	1		
	146762/A		Adaptor	1	●	●	●	●	●	●	●				●	●			LTD	1		
25	140193/B	140193	Rubber spacer	2	●	●	●	●		●	●			●	●	●			After Oct 2002	14		
26	143906/B	143906	Bush	2	●	●	●	●		●	●	●	●	●	●	●	●			4		
	124564		Bush	2			●	●				●	●	●					LTD	1		
27	866013		Cover tube, Black	2	●	●	●													1		
	836095		Cover tube, Rivera Red	2		●														1		
	803002		Cover tube, Peacock Blue	2		●													Not Serviced	1		
	806002		Cover tube, Athena Grey	2							●								Not Serviced	1		
	170346/B		Cover tube, Short	2			●			●	●	●	●	●	●	●			Not Serviced	1		
	521067/B		Cover tube, Short	2													●	●		1		
28	124168		Clamp	2								●	●	●			●	●		1		
29	141051		Nut	4								●	●	●			●	●		40		
30	124169		Stud	4								●	●	●			●	●		1		
31	801100		Head bracket	1								●	●	●						1		
	804023		Head bracket	1													●	●		1		

09-10 HEADLAMP CASING



A2

Key Nos.
2,3 (38 Nos), 4 (2 Nos), 5

A3

Key Nos.
1,2,3(38 Nos), 4(2 Nos), 5

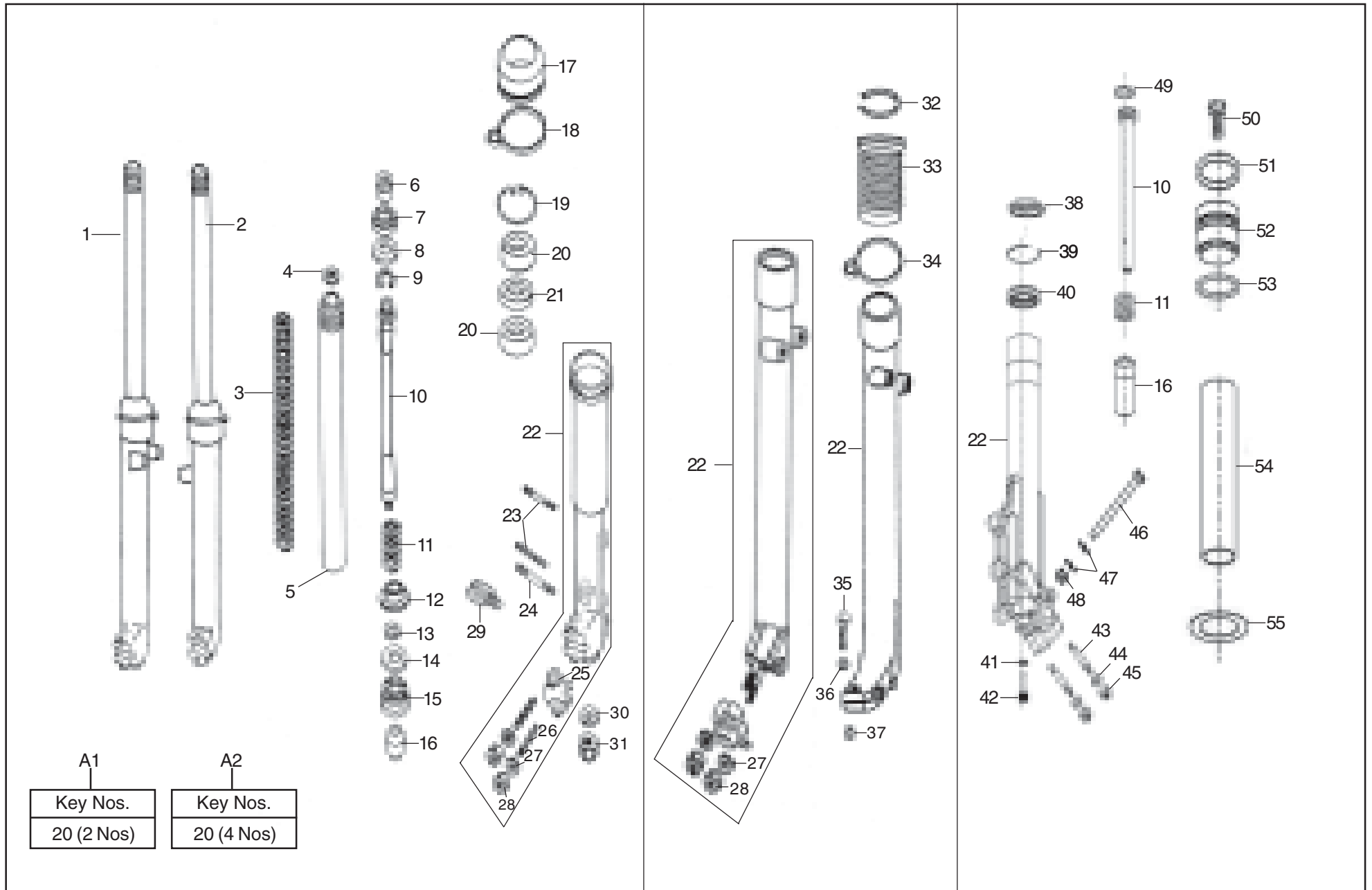
A4

Key Nos.
32, 33

09-10 HEADLAMP CASING

Key No.	Part Numbers		Description	Qty.	350								BU 500	Lightning			Bu Mach		T Bird		Remarks	MOQ
	New	Old			Std	Dlx	Mac	Cam	Elec 4S		Elec 5S			500	535	535 ES	A350	A500	KS	ES		
									KS	ES	KS	ES										
32	521131/B		Head lamp holder LH	1								●	●	●			●	●		1		
33	521132/B		Head lamp holder RH	1								●	●	●			●	●		1		
34	170299		Grommet	1								●	●	●						1		
35	521162/A		Cup	1													●	●		1		
36	170215		Lock nut	1								●	●	●					Not Serviced	1		
	521134/A		Lock nut	1								●	●	●			●	●		1		
37	170214		Taper lock nut	1								●	●	●					LTD	4		
	521133/A		Taper lock nut	1								●	●	●			●	●		1		
38	111251		Hex Screw	2								●	●	●			●	●		1		
39	111252		Washer	2								●	●	●			●	●	LTD	1		
40	801604		Head lamp casing - Black	1	●	●	●													1		
	843089		Head lamp casing - Magic Black	1											●	●			Not Serviced	1		
	850055		Head lamp casing - Deep Silver	1											●	●				1		
	836126		Head lamp casing - Rivera Red	1	●															1		
	803012		Head lamp casing - Peacock Blue	1	●														Not Serviced	1		
	839007		Head lamp casing - Amazon Blue	1					●										Not Serviced	1		
	838007		Head lamp casing - TSA Silver	1					●										LTD	1		
	843001		Head lamp casing - Artic Black	1					●	●	●	●							LTD	1		
	836116		Head lamp casing - Rivera Red	1					●	●	●	●								1		
	812005		Head lamp casing - Metallic Maroon	1											●					1		
	827002		Head lamp casing - Wine Red	1											●				Not Serviced	1		
	830002		Head lamp casing - Green	1											●				Not Serviced	1		
	806013		Head lamp casing - Athena Grey	1								●							Not Serviced	1		
851006		Head lamp casing - Deep silver	1					●	●	●	●								1			
41	560516/A		Clamp hose (For disc brake bikes)	1					●	●	●	●				●	●	●	●		20	

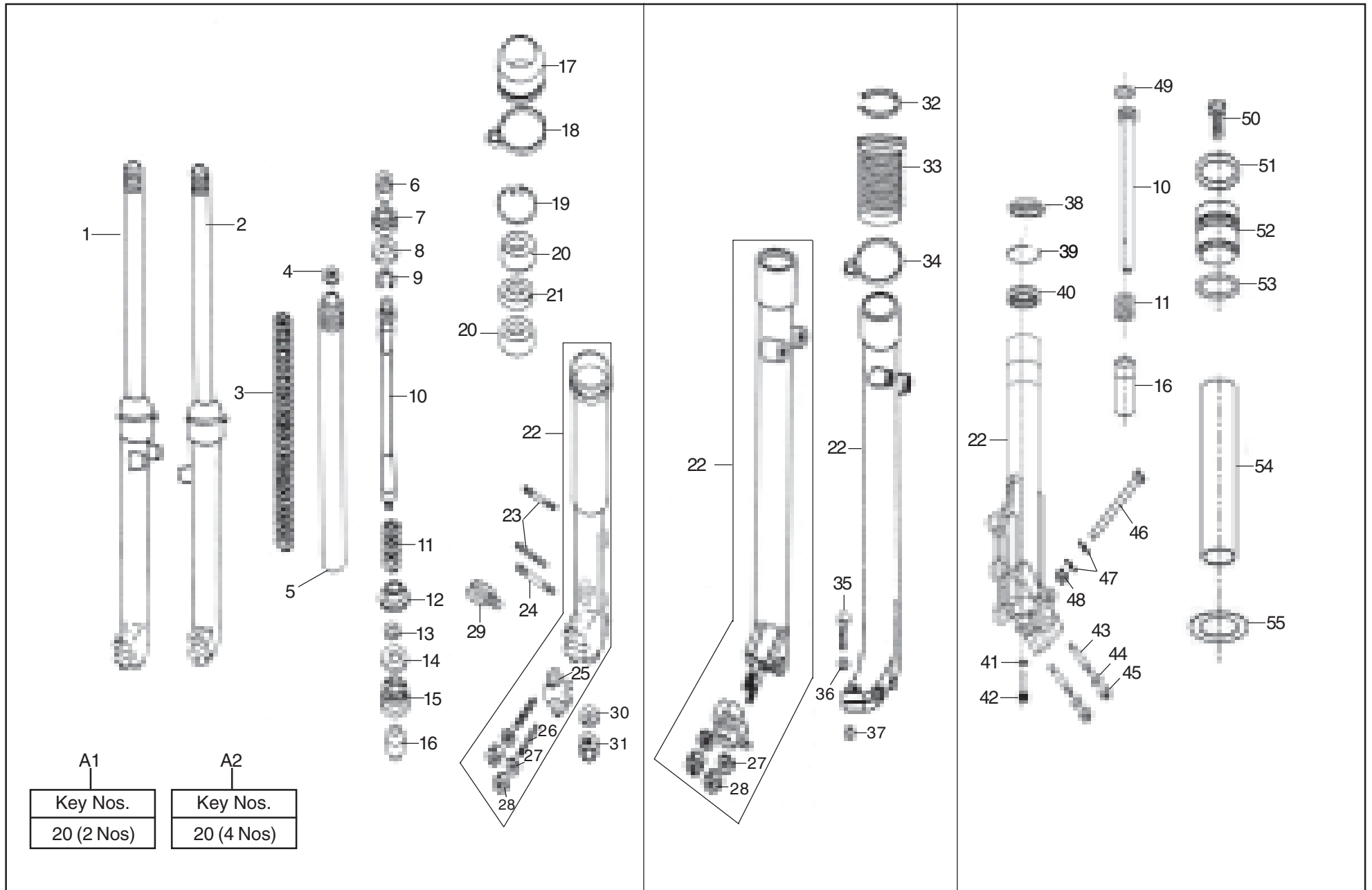
09-20 FRONT FORK ASSEMBLY



09-20 FRONT FORK ASSEMBLY

Key No.	Part Numbers		Description	Qty.	350								BU 500	Lightning			Bu Mach		T Bird		Remarks	MOQ	
	New	Old			Std	Dlx	Mac	Cam	Elec 4S		Elec 5S			500	535	535 ES	A350	A500	KS	ES			
									KS	ES	KS	ES											
A1	144294		Oil seal kit	1	●	●	●	●	●	●	●	●	●	●	●						1		
A2	597203		Oil seal kit	2	●	●	●	●	●	●	●	●	●	●	●	●						1	
1	141681		Fork end RH assy	1	●	●	●				●										Before Oct 1999	1	
	144420		Fork end RH assy	1	●	●	●				●											After Oct 1999	1
	170363		Fork end RH assy	1				●			●	●			●							LTD	1
	146708/2		Fork end RH assy (Drum)	1				●	●	●	●												1
	146706/A		Fork endRH assy (For disc brake bikes)	1				●	●	●	●				●			●					1
	560527		Fork end RH assy	1											●	●						LTD	1
	145943		Fork end RH assy	1														●	●			LTD	1
	145940/B		Fork endRH assy (For disc brake bikes)	1														●	●				1
	521155		Fork end RH assy	1													●					1	
2	141682		Fork end LH assy	1	●	●	●				●											Before Oct 1999	1
	144421		Fork end LH assy	1	●	●	●				●											After Oct 1999	1
	170362		Fork end LH assy	1				●			●	●			●								1
	146707/A		Fork end LH assy (Drum)	1				●	●	●	●												1
	146705/A		Fork end LH assy (For disc brake bikes)	1				●	●	●	●				●			●					1
	560528		Fork end LH assy	1											●	●						LTD	1
	145944		Fork end LH assy	1														●	●			LTD	1
		145941/B		Fork end LH assy (For disc brake bikes)	1													●	●				1
	521154		Fork end LH assy	1													●					1	
3	143899		Spring,Long Drum	2	●	●	●	●	●	●	●				●							Before Oct 1999	1
	144219		Spring,Long - Disc	2	●	●	●	●	●	●	●				●							Not Serviced	1
	142867/3	142867	Spring,Long	2							●	●	●	●	●	●							1
4	140338/B		"O" Ring	2	●	●	●	●	●	●	●	●	●	●	●	●							1
5	144472/C		Main tube	2							●	●	●	●		●							1
	144467		Main tube	2	●	●	●	●	●	●	●				●								1
	146214		Main tube	2														●	●				1

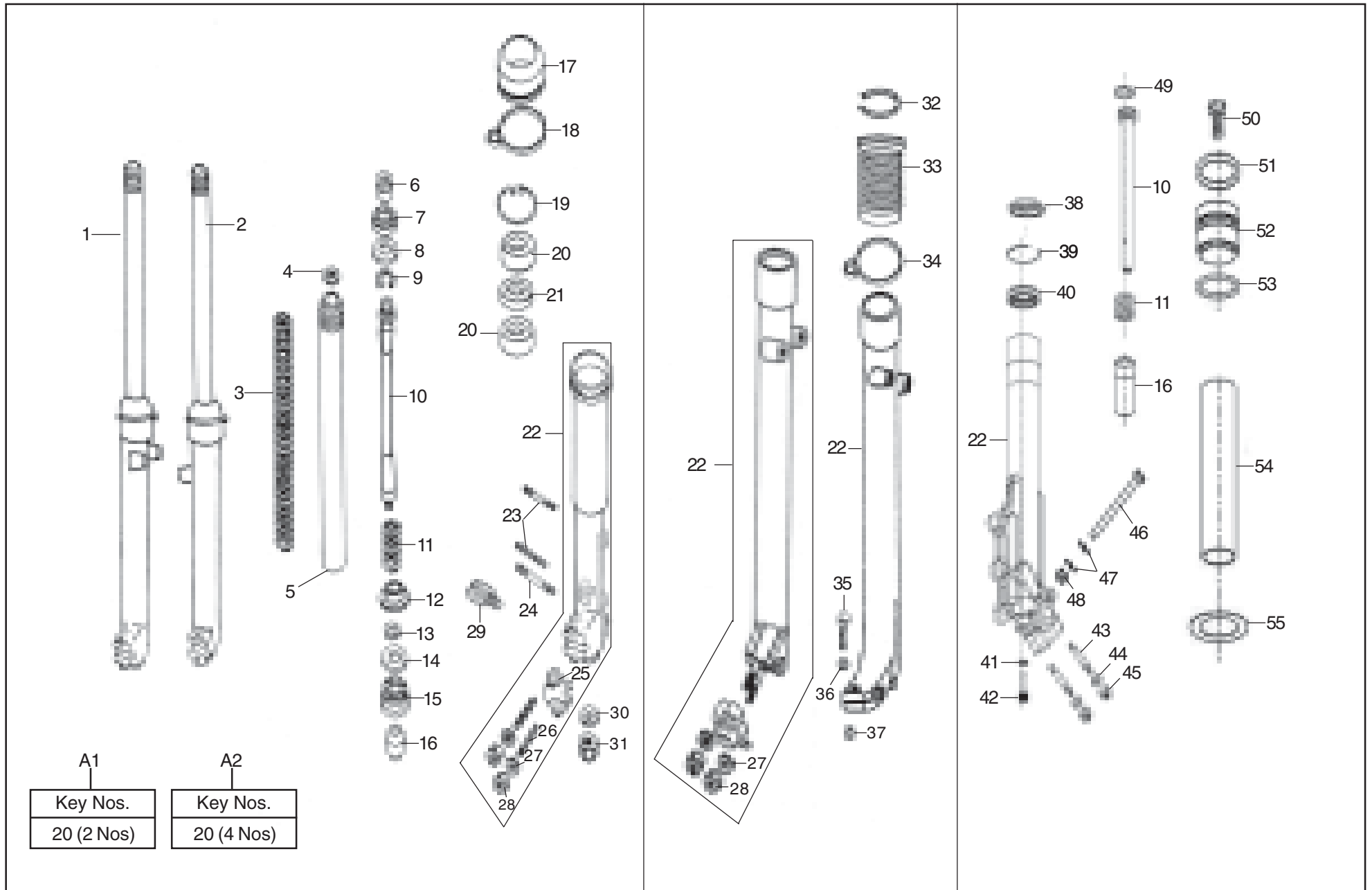
09-20 FRONT FORK ASSEMBLY



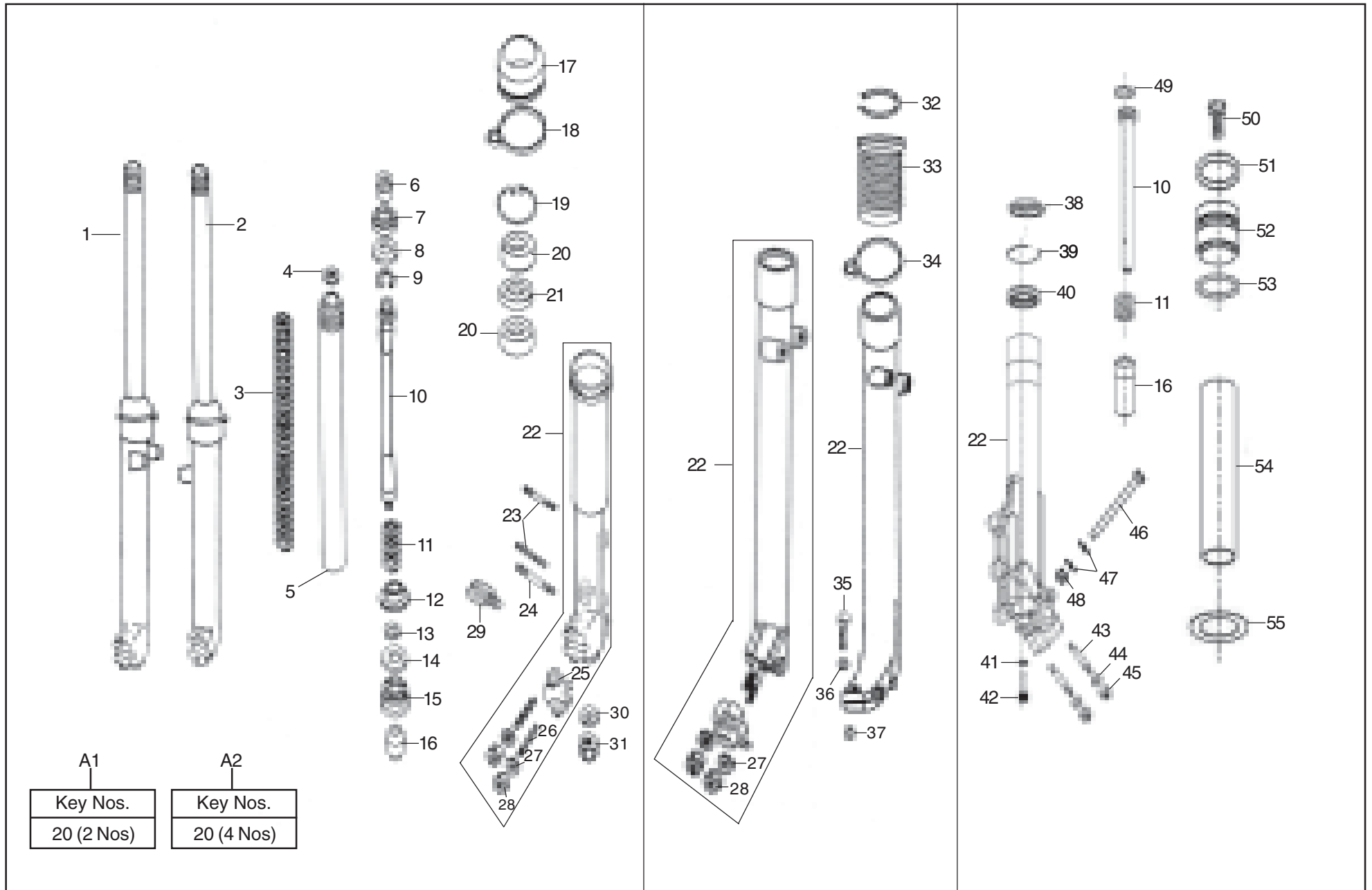
09-20 FRONT FORK ASSEMBLY

Key No.	Part Numbers		Description	Qty.	350								BU 500	Lightning			Bu Mach		T Bird		Remarks	MOQ
	New	Old			Std	Dlx	Mac	Cam	Elec 4S		Elec 5S			500	535	535 ES	A350	A500	KS	ES		
6	141414/A		Nut, Spring guide	2	●	●	●	●	●	●	●	●	●	●	●	●	●	●				
7	110143		Spring guide	2	●	●	●	●	●	●	●											
	142868		Spring guide	2								●	●	●	●	●	●	●				
8	140184/B		Valve plate	2	●	●	●	●	●	●	●	●	●	●	●	●	●	●				
9	140185/B		Circlip	2	●	●	●	●	●	●	●	●	●	●	●	●	●	●				
10	141428		Stud, Front fork spring	2	●	●	●	●	●	●	●	●	●	●	●	●	●	●				
	146215		Stud, Front fork spring	2															●	●		
11	143898		Spring, Short	2	●	●	●	●	●	●	●	●										
	146216		Spring, Short	2															●	●		20
12	142239/C		Spacer	2	●	●	●	●	●	●	●	●										10
13	141417/A		Circlip	2	●	●	●	●	●	●	●	●	●	●	●	●	●	●				
14	140219		Valve plate	2	●	●	●	●	●	●	●	●	●	●	●	●	●	●				
15	124346		Valve port	2	●	●	●	●	●	●	●	●	●	●	●	●	●	●				
16	141421		Oil control collar	2	●	●	●	●	●	●	●	●	●	●	●	●	●					
	146220		Oil control collar	2															●	●	Not Serviced	2
17	170121/B		Gaiter	2				●	●	●	●	●		●	●	●				●		2
18	170122/A		Ring clamp	2				●	●	●	●	●		●	●	●				●		1
	560518/A		Ring clamp LH (For disc brake bikes)	1																●		1
19	124342/A		Circlip	2	●	●	●	●	●	●	●	●	●	●	●	●	●	●				50
20	144468/B		Oil seal	4	●	●	●	●	●	●	●	●	●	●	●	●	●	●				2
21	144469/A	140895/2	Spacer	2	●	●	●	●	●	●	●	●	●	●	●	●	●	●				1
22	124339		Fork end RH	1	●	●	●						●									1
	170119		Fork end RH	1				●					●	●	●							1
	521065/1	521065	Fork end RH	1					●	●	●	●								●		1
	560508/D		Fork end RH (For disc brake bikes)	1					●	●	●	●					●	●	●			1
	146210		Fork end RH	1															●	●		1

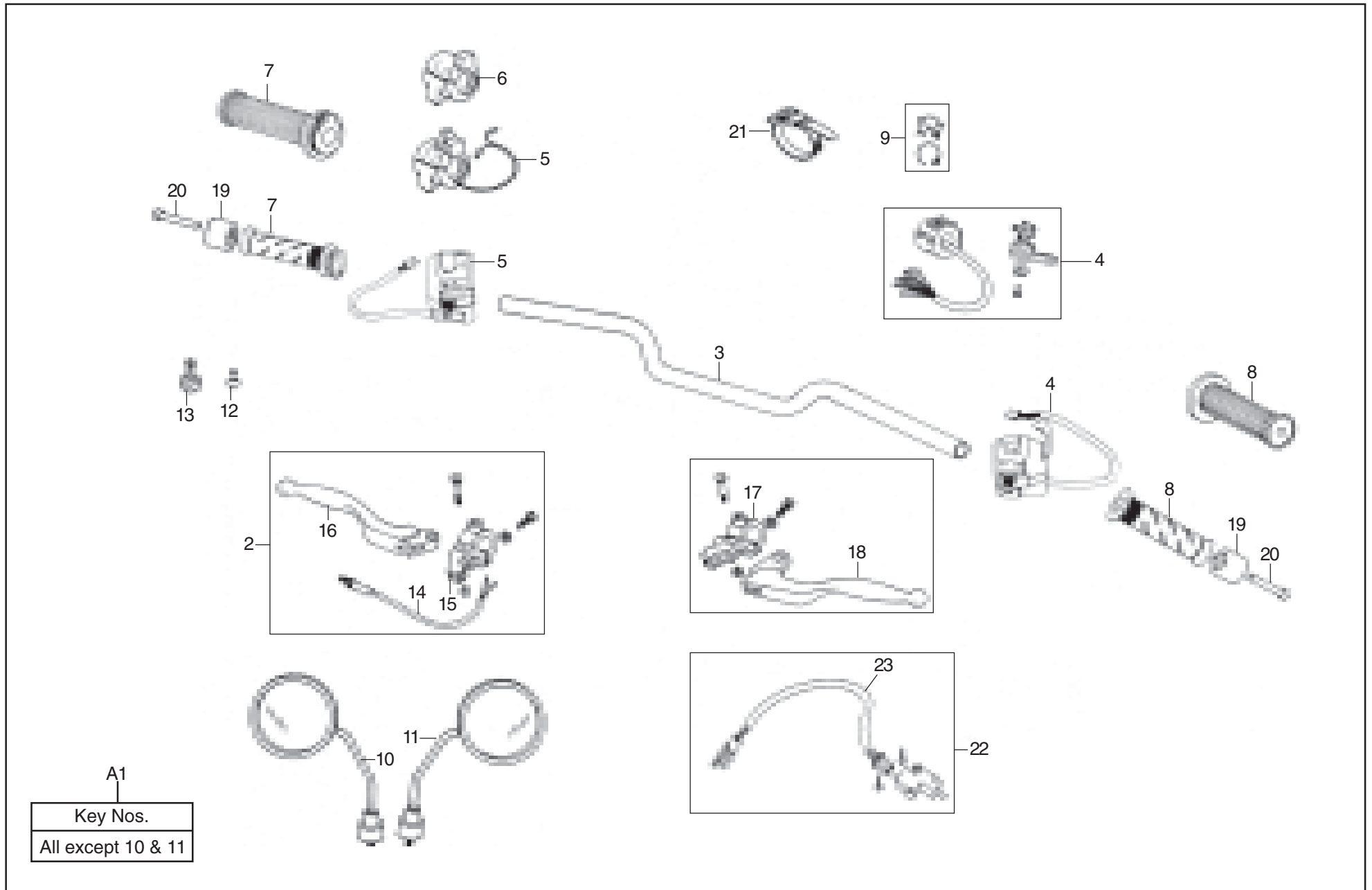
09-20 FRONT FORK ASSEMBLY



09-20 FRONT FORK ASSEMBLY



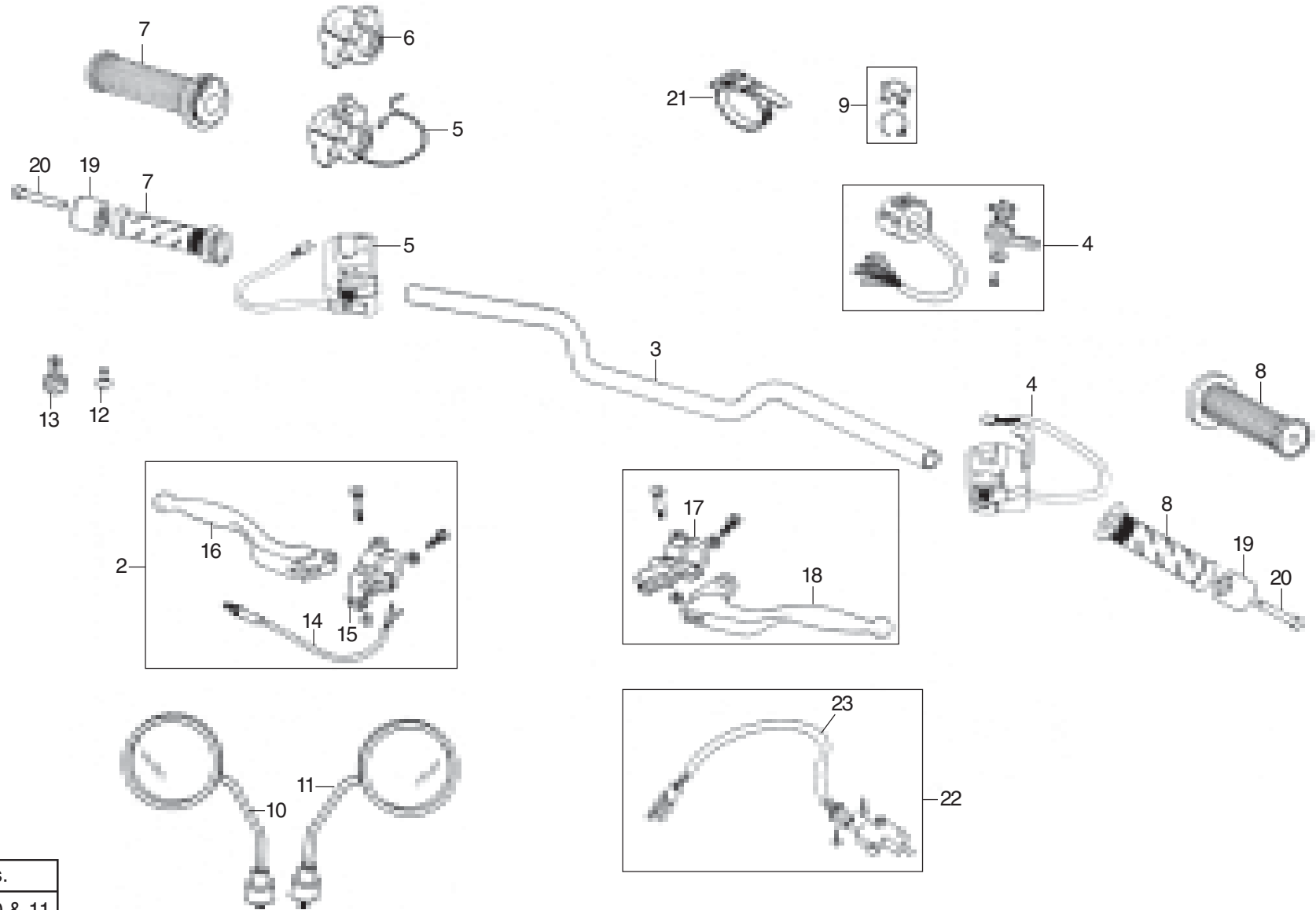
09-30 HANDLE BAR AND CONTROLS



09-30 HANDLE BAR AND CONTROLS

Key No.	Part Numbers		Description	Qty.	350								BU 500	Lightning			Bu Mach		T Bird		Remarks	MOQ
	New	Old			Std	Dlx	Mac	Cam	Elec 4S		Elec 5S			500	535	535 ES	A350	A500	KS	ES		
									KS	ES	KS	ES										
A1	146865/C	146865/A	Handle bar assembly - Drum	1						•		•						LTD	1			
	146867/B		Handle bar assembly - Drum	1							•							LTD	1			
	146769/B		Handle bar assembly - Disc	1					•		•							LTD	1			
	146866/B		Handle bar assembly - Disc	1						•									1			
	521270/A		Handle bar assembly - Disc	1													•		1			
	521271/A		Handle bar assembly - Drum	1													•		1			
	521251/A		Handle bar assembly - Disc	1													•		1			
	521269/A		Handle bar assembly - Drum	1													•		1			
	510277/A		Handle bar assembly	1												•	•		LTD	1		
1	145410/A	143331	Lever assembly LH	1	•	•	•	•				•				•		LTD	1			
	146875/A		Lever assembly LH	1					•	•	•	•					•	•	with clutch cut off switch	1		
	146197/C		Lever assembly LH	1											•	•			1			
	170565/A	170108	Lever assembly LH	1								•	•						1			
	560147		Lever assembly LH	1									•						1			
	521152/A		Lever assembly LH	1													•		1			
	560558	560548	Lever assembly LH (For disc brake bikes)	1													•		1			
	560543		Lever assembly LH (For disc brake bikes)	1											•				LTD	1		
2	145422/A		Lever assembly RH	1	•	•	•	•	•			•				•		Alternate No. 145920/A	1			
	146070		Lever assembly RH - Drum	1					•	•	•	•							1			
	560545/A		Lever assembly RH - Disc	1					•	•	•	•							5			
	521276/A		Lever assembly RH	1													•	with brake light switch	1			
	170566/A		Lever assembly RH	1								•	•						1			
	560163/A		Lever assembly RH	1									•						1			
	521158/A		Lever assembly RH	1													•		1			

09-30 HANDLE BAR AND CONTROLS

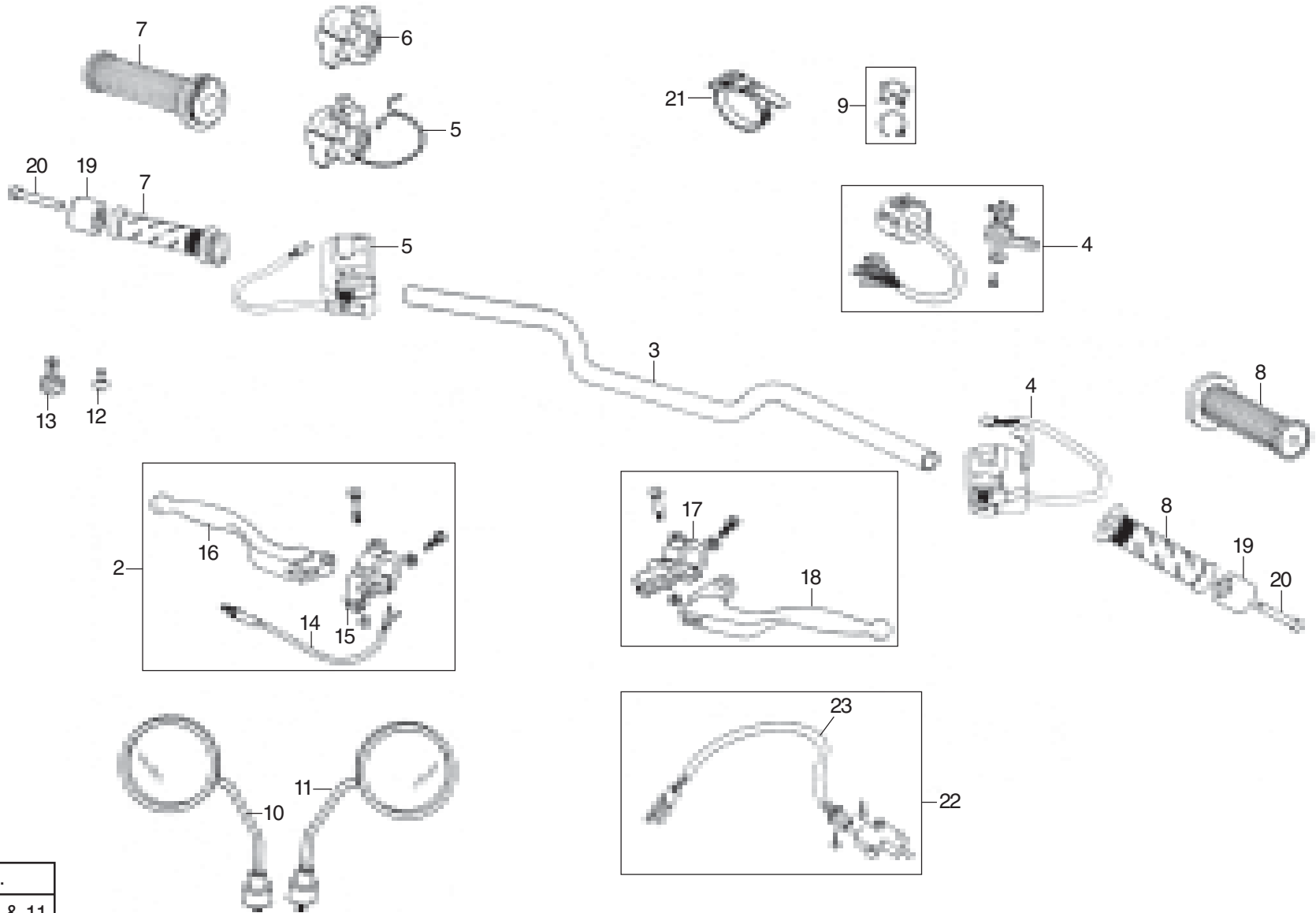


A1
Key Nos.
All except 10 & 11

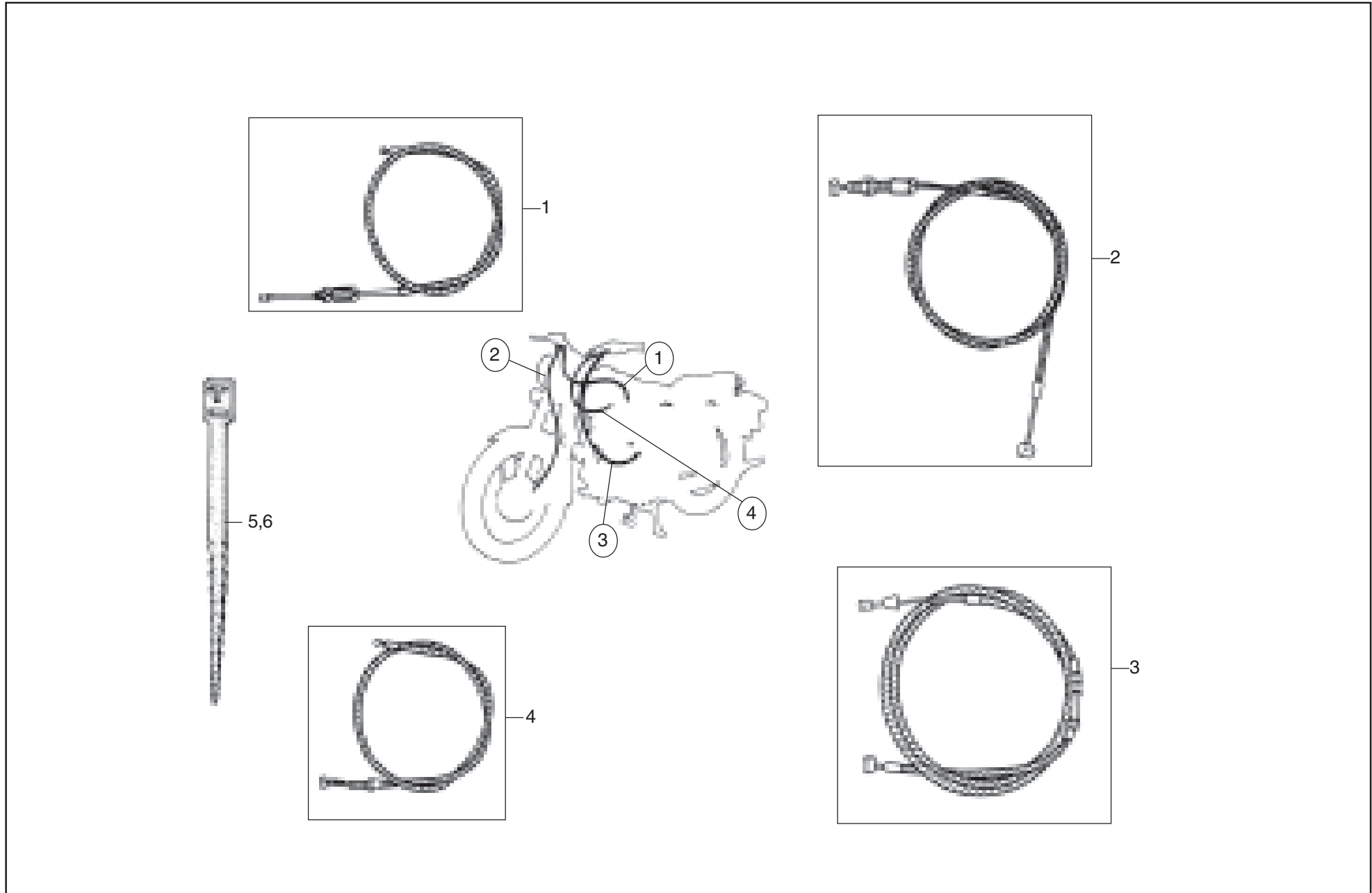
09-30 HANDLE BAR AND CONTROLS

Key No.	Part Numbers		Description	Qty.	350								BU 500	Lightning			Bu Mach		T Bird		Remarks	MOQ
	New	Old			Std	Dlx	Mac	Cam	Elec 4S		Elec 5S			500	535	535 ES	A350	A500	KS	ES		
									KS	ES	KS	ES										
3	110119/2		Handle bar	1	●	●												Alternate No. 147177/A	1			
	123790/B		Handle bar	1			●	●			●				●			Before/After Feb 2003 145919/A	1			
	146768/B		Handle bar	1				●	●	●	●				●	●			1			
	560539/C	560539/A	Handle bar	1												●	●	Before Dec 2002	1			
	170202		Handle bar	1								●	●	●				LTD	1			
	170203/B		Handle bar	1												●		LTD	1			
4	144353		Switch assembly LH	1	●	●	●	●			●				●				1			
	170277		Switch assembly LH	1								●	●						1			
	560114/A		Switch assembly LH	1				●	●				●						1			
	560194		Switch module LH	1												●	●		1			
	580252/A		Switch assembly LH	1					●	●					●	●			1			
5	170359		Switch assembly RH	1								●	●						1			
	560115		Switch assembly RH	1				●	●				●						1			
	146045/A		Switch assembly RH	1				●	●										1			
	560195/A		Switch module RH	1													●		1			
	521277/A		Switch module RH	1												●			1			
	521023/B	521023	Switch assembly RH	1												●			1			
	560115		Switch assembly RH	1											●	●			1			
6	210776		Rotor body assembly	1	●	●	●	●			●				●				1			
7	145193	145523/A	Rotor assembly	1	●	●	●	●			●				●		●	For Bul 350, After Sept 2002	1			
	170131		Rotor assembly	1								●	●						1			
	560104/A		Rotor assembly	1				●	●	●	●			●	●			LTD	1			
	521185/A		Rotor assembly	1												●		After Dec 2002	1			
	146044/A		Rotor assembly	1												●	●		1			
8	145192	145522/A	Dummy grip	1	●	●	●	●			●				●			For Bul 350, Before Feb 2002	1			
	170130		Dummy grip	1								●	●	●					1			
	521186/A		Hand grip, LH	1				●	●	●	●				●	●	●	After Dec 2002	1			

09-30 HANDLE BAR AND CONTROLS



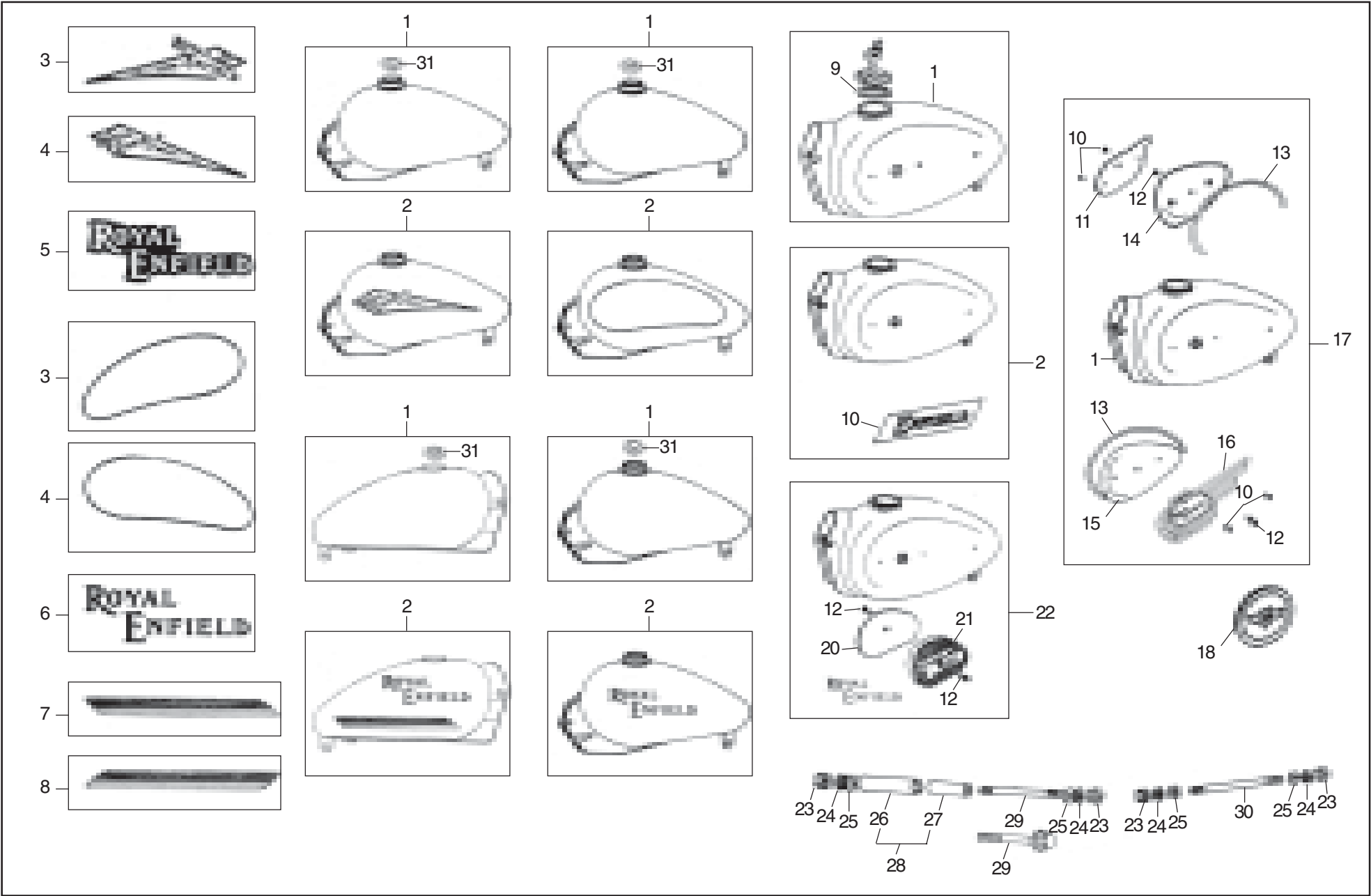
A1
Key Nos.
All except 10 & 11



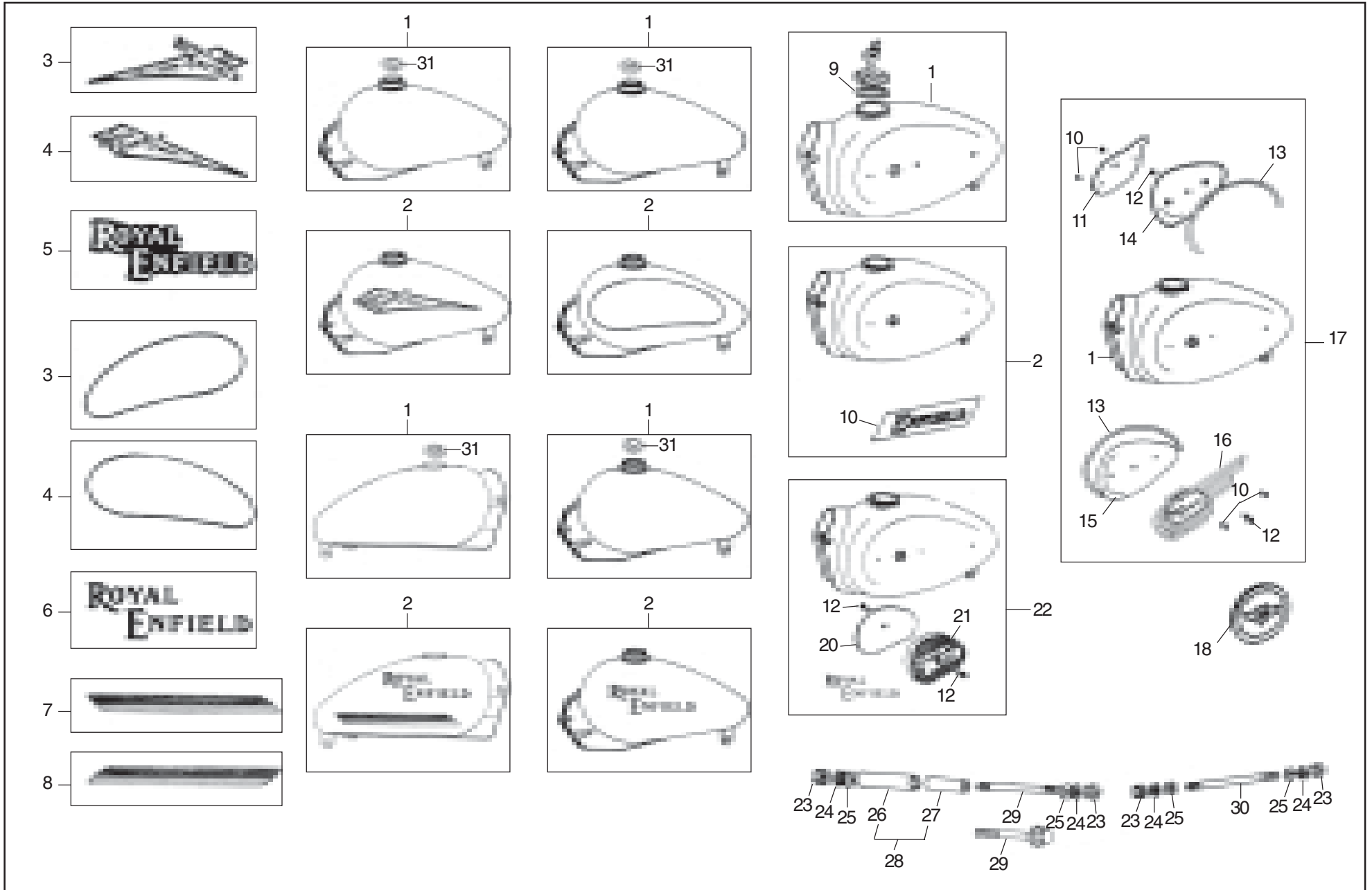
09-40 CONTROL CABLES

Key No.	Part Numbers		Description	Qty.	350								BU 500	Lightning			Bu Mach		T Bird		Remarks	MOQ
	New	Old			Std	Dlx	Mac	Cam	Elec 4S		Elec 5S			500	535	535 ES	A350	A500	KS	ES		
									KS	ES	KS	ES										
1	143312/A		Throttle cable	1	•	•	•	•												1		
	145713/B		Throttle cable	1				•	•	•	•										1	
	143322/B		Throttle cable	1								•								LTD	1	
	170273		Throttle cable	1								•	•	•						LTD	1	
	500707		Throttle cable	1											•						1	
	540069/B		Throttle cable	1											•	•					1	
	521272/B		Throttle cable	1													•	•			1	
2	145298/A		Front brake cable - Disc	1	•	•	•	•	•	•	•				•						1	
	147107/A		Front brake cable - Drum	1				•	•	•	•										1	
	170556/A		Front brake cable	1								•	•	•						LTD	1	
	170271		Front brake cable	1													•				1	
	146248/A		Front brake cable - Drum	1													•	•			1	
3	145408/D	145408/A	Clutch cable	1	•	•	•	•				•			•						1	
	145782/A		Clutch cable	1				•	•												1	
	170557/B	170274	Clutch cable	1								•	•	•						LTD	1	
	550520/A		Clutch cable	1				•	•						•	•					1	
	550518/A		Clutch cable	1													•	•			1	
4	143323/A		Decompression cable	1	•	•	•	•			•	•	•								1	
	560214/B		Decompression cable	1				•	•												1	
	170272		Decompression cable	1								•	•							LTD	1	
	560125/A		Decompression cable	1										•							1	
	500506/B		Decompression cable	1								•	•	•	•	•				Alternate No. 500506/A	1	
	147362/A		Decompression cable	1											•	•				Not Serviced	1	
	521010		Decompression cable	1													•				1	
	521273/A		Decompression cable	1													•	•			1	
5	141161/C		Cable strap, Small 6"	7	•	•	•	•	•	•	•	•	•	•	•	•	•	•			40	
6	141162/C		Cable strap, Long 8"	5	•	•	•	•	•	•	•	•	•	•	•	•	•	•			40	

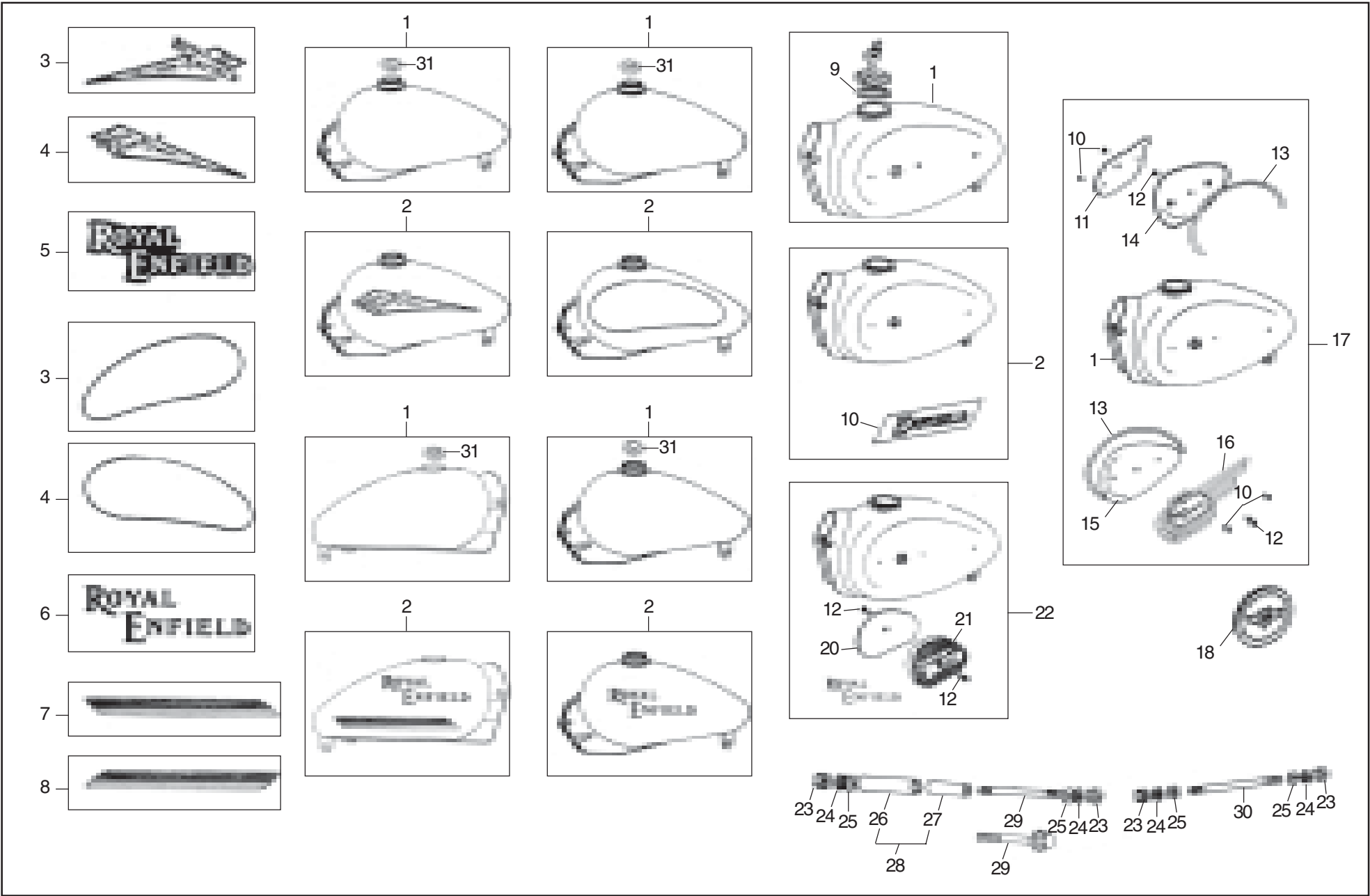
10-10 FUEL TANK



10-10 FUEL TANK



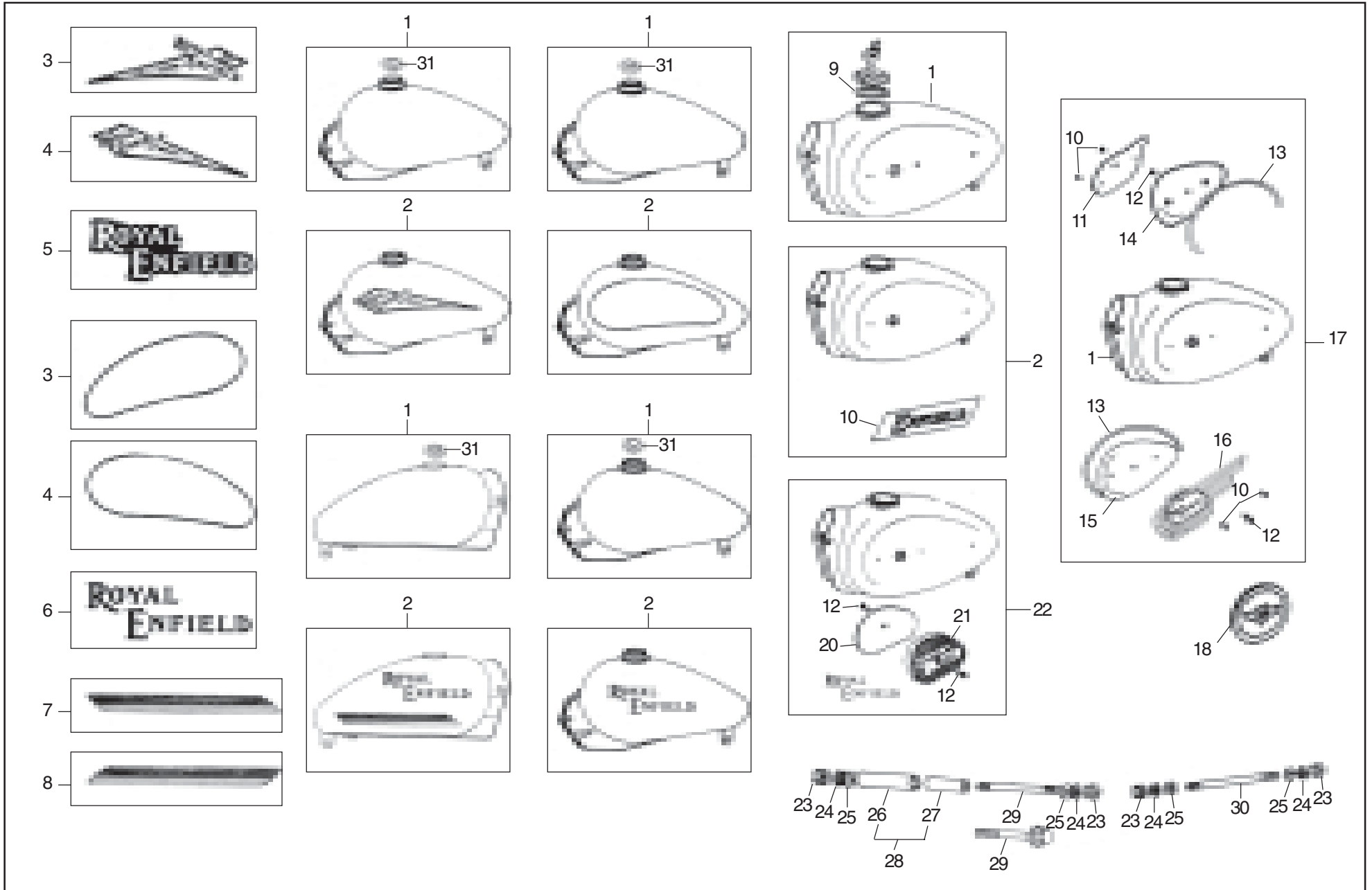
10-10 FUEL TANK



10-10 FUEL TANK

Key No.	Part Numbers		Description	Qty.	350								BU			Lightning			Bu Mach		T Bird		Remarks	MOQ
	New	Old			Std	Dlx	Mac	Cam	Elec 4S		Elec 5S		500	500	535	535	A350	A500	KS	ES				
									KS	ES	KS	ES												
3	836058		Sticker RH, Rivera Red	1														●	LTD	1				
	839027		Sticker RH, Purplish Blue	1														●		1				
	844010		Sticker RH, Ocean Black	1														●	LTD	1				
	838038		Sticker RH, Metallic Silver	1														●	LTD	1				
4	170492		Sticker LH, Grey Black	1							●	●	●						Not Serviced	1				
	170474		Sticker LH, Black Red	1							●	●	●						Not Serviced	1				
	170476		Sticker LH, Burgundy/Sandalwood	1							●	●	●						Not Serviced	1				
	836057		Sticker LH, Rivera Red	1														●		1				
	839026		Sticker LH, Purplish Blue	1														●		1				
	844009		Sticker LH, Ocean Black	1														●	LTD	1				
	838037		Sticker LH, Metallic Silver	1														●		1				
5	521121		Sticker, Top	1														●	Not Serviced	1				
6	146042/A	540074	Sticker DG Gold	2				●	●	●	●				●	●				1				
	146152/A		Sticker DG chrome - D.Blue / D.Silver	2				●	●	●	●									1				
	842003		Sticker, (Royal Enfield), Silver	2				●											LTD	1				
	826018		Sticker, (Royal Enfield), Blue	2				●											LTD	1				
	836040		Sticker, (Royal Enfield), Rivera Red	2				●											LTD	1				
	843009		Sticker, (Royal Enfield), Black	2				●											LTD	1				
	801300		Sticker, (Royal Enfield), Wine Red/Green	2											●				Not Serviced	1				
	810038		Sticker, (Royal Enfield), Black	2											●				Not Serviced	1				
	146043/A		Sticker Tool Box	2				●	●	●	●							● ●	Not Serviced	1				
7	842001		Stripes, RH Silver	1				●											Not Serviced	1				
	826016		Stripes, RH Blue	1				●											LTD	1				
	836038		Stripes, RH Gold	1				●											LTD	1				
8	842002		Stripes, LH Silver	1				●											Not Serviced	1				
	826017		Stripes, LH Blue	1				●											LTD	1				
	836039		Stripes, LH Gold	1				●											LTD	1				

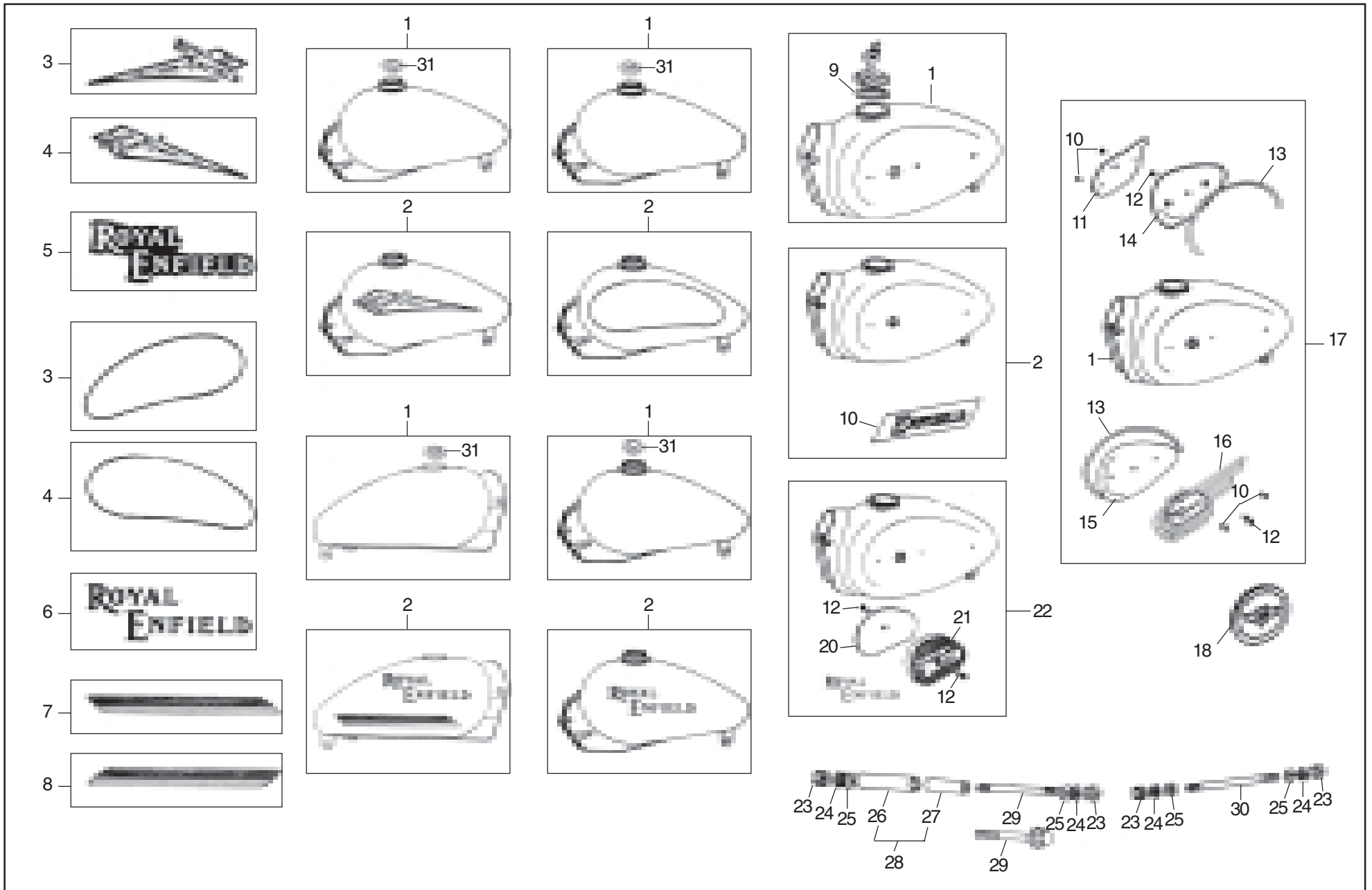
10-10 FUEL TANK



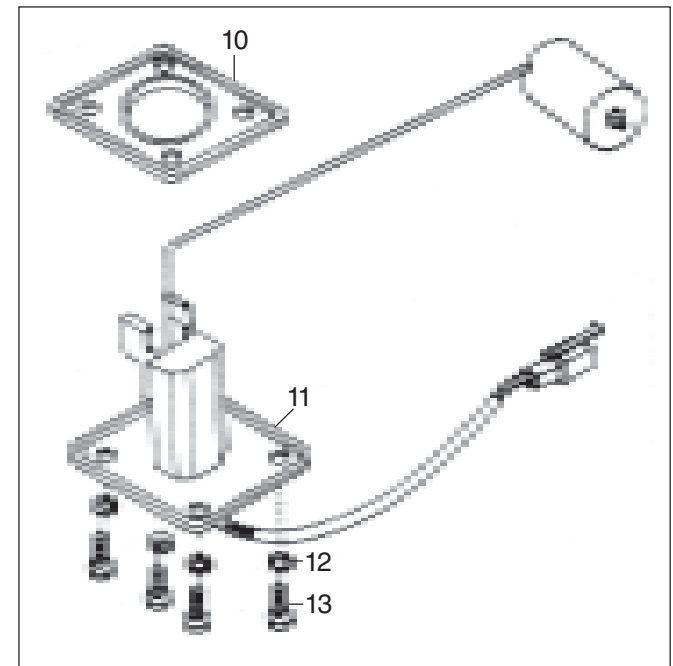
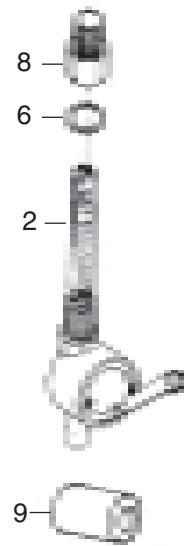
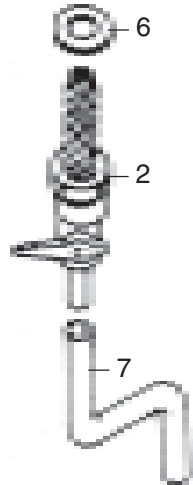
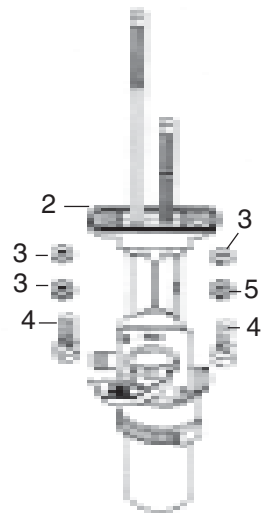
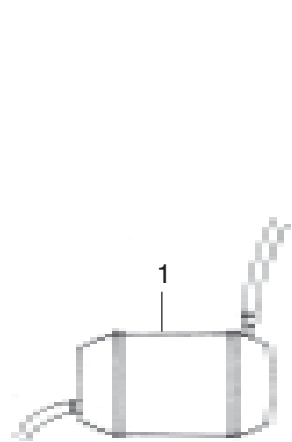
10-10 FUEL TANK

Key No.	Part Numbers		Description	Qty.	350								BU 500	Lightning			Bu Mach		T Bird		Remarks	MOQ
	New	Old			Std	Dlx	Mac	Cam	Elec 4S		Elec 5S			500	535	535 ES	A350	A500	KS	ES		
9	140536		Washer - Petrol tank filler cap	1	●	●	●	●	●				●	●	●	●		●	●	LTD	1	
10	140470		Screw, Motif	4	●	●															50	
11	141361		Petrol tank Motif - RH	1	●	●														Not Serviced	1	
	145793/A		Petrol tank Motif - RH	1	●	●														After Sept 2002	1	
12	110452		Screw	2		●	●										●				1	
13	123781		Beading	2		●															1	
14	110572		Panel RH	1		●														Not Serviced	1	
15	110574		Panel LH	1		●														Before Sept 2002	1	
16	141362		Petrol tank Motif - LH	1	●	●														After Sept 2002	1	
	145794/A		Petrol tank Motif - LH	1	●	●															1	
	144339		Petrol tank Motif - LH & RH Kit	1	●	●															1	
17	597000		Fuel tank with pannels, Black	1		●														Not Serviced	1	
	597001		Fuel tank with pannels, P.O.Red	1		●														Not Serviced	1	
	597002		Fuel tank with pannels, Peacock Blue	1		●														Not Serviced	1	
18	170256		Monogram	2									●	●	●						1	
19	142643		Sticker, (Enfield)	2									●								1	
20	110498		Knee grip RH	1			●										●				1	
21	110499		Knee grip LH	1			●										●				1	
22	597003		Fuel tank with knee grips, Black	1			●													Not Serviced	1	
	597004		Fuel tank with knee grips, P.O.Red	1			●													Not Serviced	1	
23	145868/A		Flanged hex nut M10 x 1.25	2				●	●	●	●						●	●			5	
	140302		Nut	4	●	●	●	●					●	●	●	●	●		●	●	Not Serviced	1
24	140303		Lock Washer	4	●	●	●	●					●	●	●	●	●		●	●	1	
	140304		Lock Washer	2				●	●	●	●										Not Serviced	1
	140541		Lock Washer	2													●	●			1	
25	140308		Plain Washer	4	●	●	●	●					●	●	●	●	●		●	●	1	
	140383		Plain Washer	2				●	●	●	●						●	●			Not Serviced	1

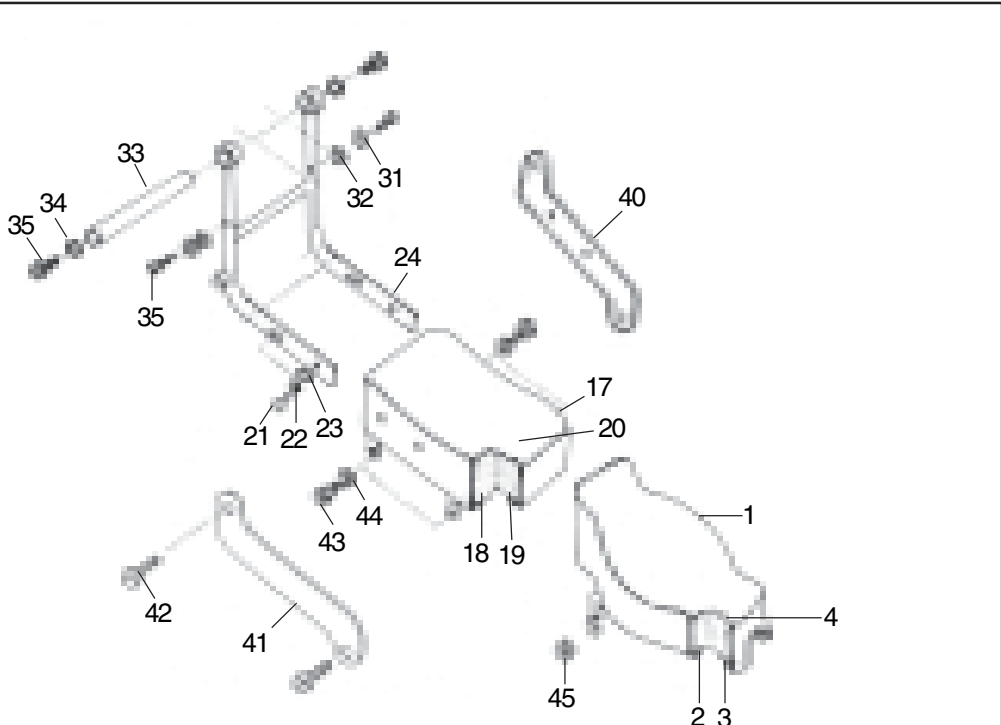
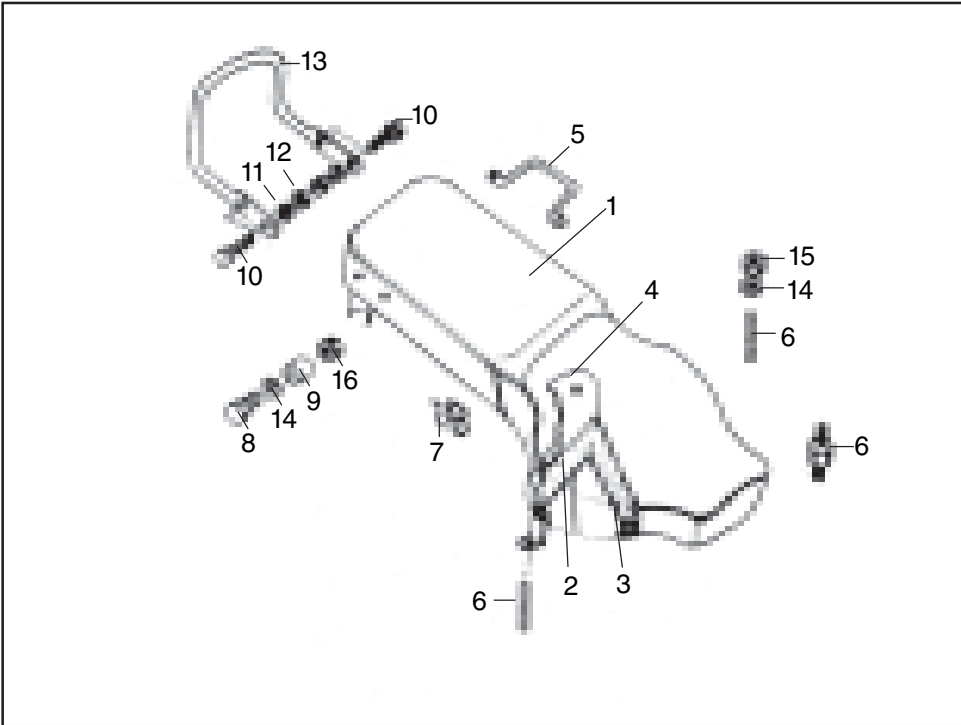
10-10 FUEL TANK



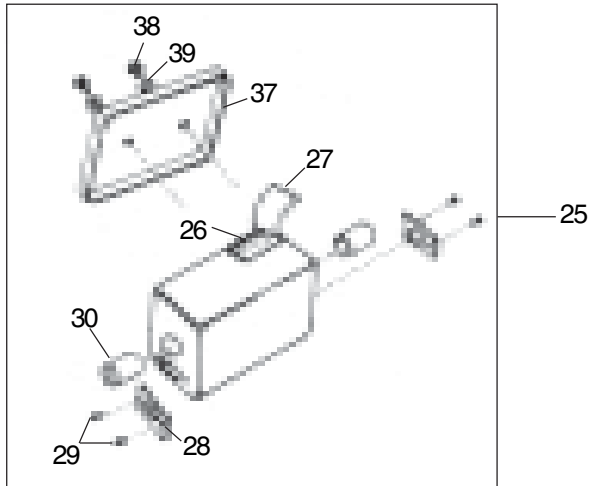
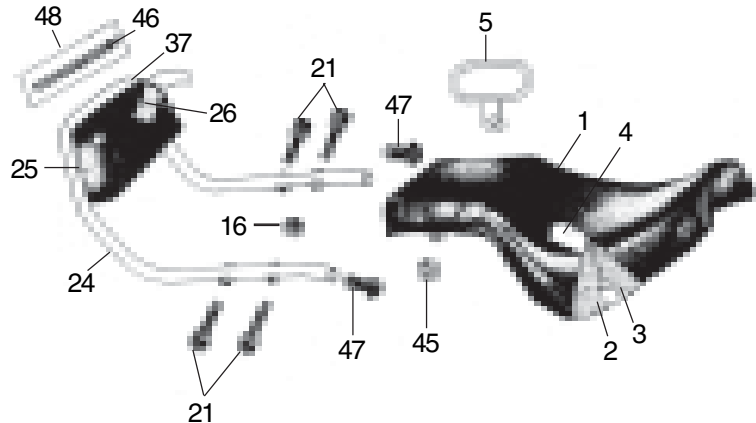
10-20 FUEL TAP & GAUGE UNIT



11-10 SEAT ASSEMBLY



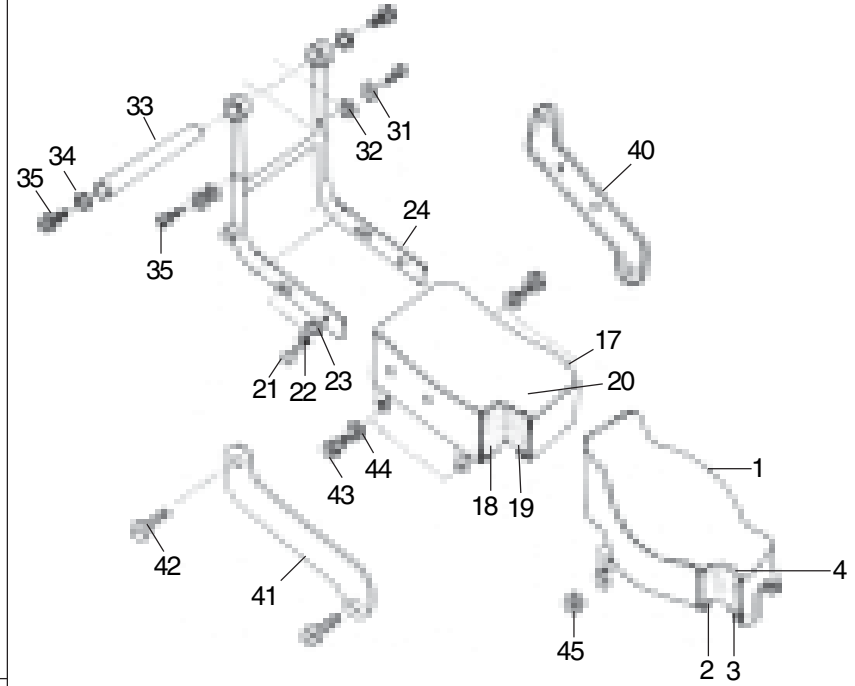
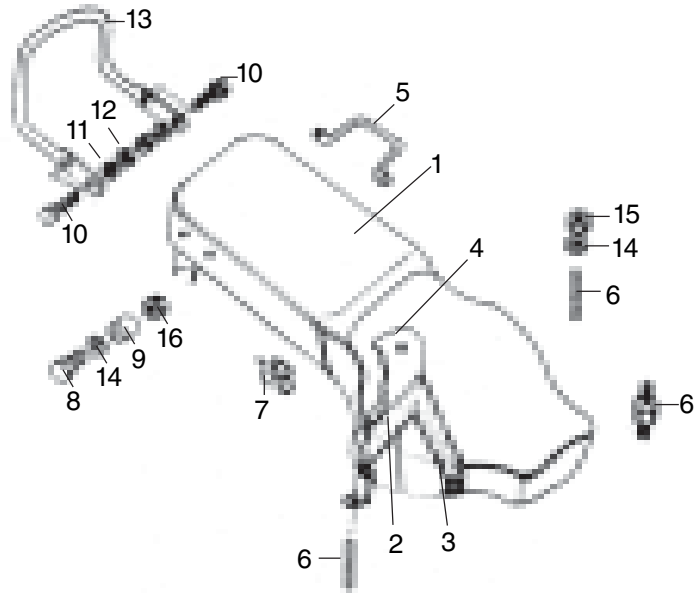
THUNDERBIRD



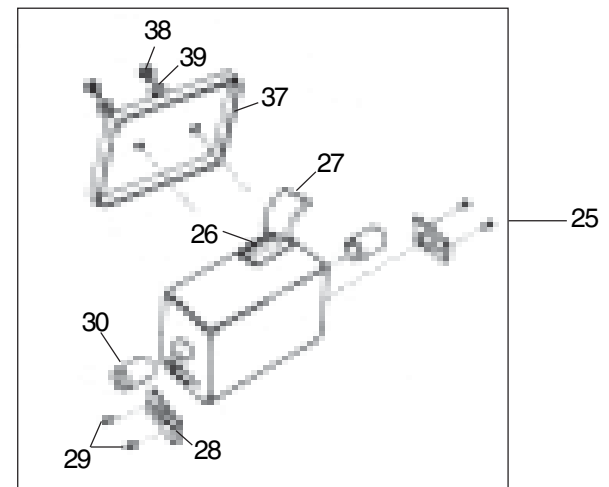
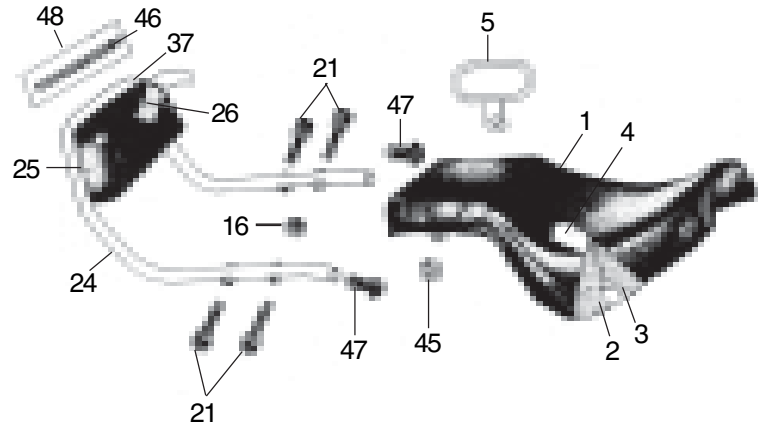
11-10 SEAT ASSEMBLY

Key No.	Part Numbers		Description	Qty.	350										Lightning			Bu Mach		T Bird		Remarks	MOQ
	New	Old			Std	Dlx	Mac	Cam	Elec 4S		Elec 5S		BU 500	500	535	535 ES	A350	A500	KS	ES			
									KS	ES	KS	ES											
1	142130	801132	Seat assembly	1	●	●													Not Serviced	1			
	142503/B	142503/A	Seat assembly	1	●	●	●	●	●	●	●				●	●					1		
	801137		Seat assembly, Rider - Black	1								●	●	●						Alternate No. 521113/C	1		
	810007		Seat assembly, Rider - Grey	1								●	●	●						Not Serviced	1		
	817001		Seat assembly, Rider - Maroon	1								●	●	●						Not Serviced	1		
	521113/C	801290	Seat assembly	1								●	●	●			●	●			1		
2	801016		Seat pan assembly	1	●	●													Not Serviced	1			
	801055		Seat pan assembly	1	●	●	●	●	●	●	●										1		
	801071		Seat pan assembly, Rider	1								●	●	●						Alternate No. 521081/H	1		
	521081/H		Seat pan assembly	1								●	●	●			●	●			1		
3	140587		Seat cushion	1	●	●													Not Serviced	1			
	142509		Seat cushion	1			●	●	●		●				●				Not Serviced	1			
	146078/B		Seat cushion	1	●	●	●	●	●	●	●										1		
	170193		Seat cushion, Rider	1								●	●	●						Alternate No. 521082/B	1		
	521082/B		Seat cushion	1								●	●	●			●	●			1		
4	143576		Seat cover	1	●	●													Not Serviced	1			
	142516/B		Seat cover	1	●	●	●	●	●	●	●				●	●					1		
	107293		Seat cover, Rider	1								●	●	●						Alternate No. 521157	1		
	521157		Seat cover	1								●	●	●			●	●			1		
5	111686/A		Side handle	1	●	●	●	●	●	●	●				●	●					2		
	521107/C	521107/B	Side handle	1													●	●			1		
6	142138		Stud, Seat Adjuster	2	●	●	●														6		
	141507/2		Stud	2			●				●	●	●	●	●	●					1		
	140436/3		Stud	2				●	●	●	●										1		
7	141444		Clip	24	●	●	●	●			●				●						1		
8	142761		Hex screw M8 x 20	2	●	●	●	●	●	●	●				●	●					50		

11-10 SEAT ASSEMBLY



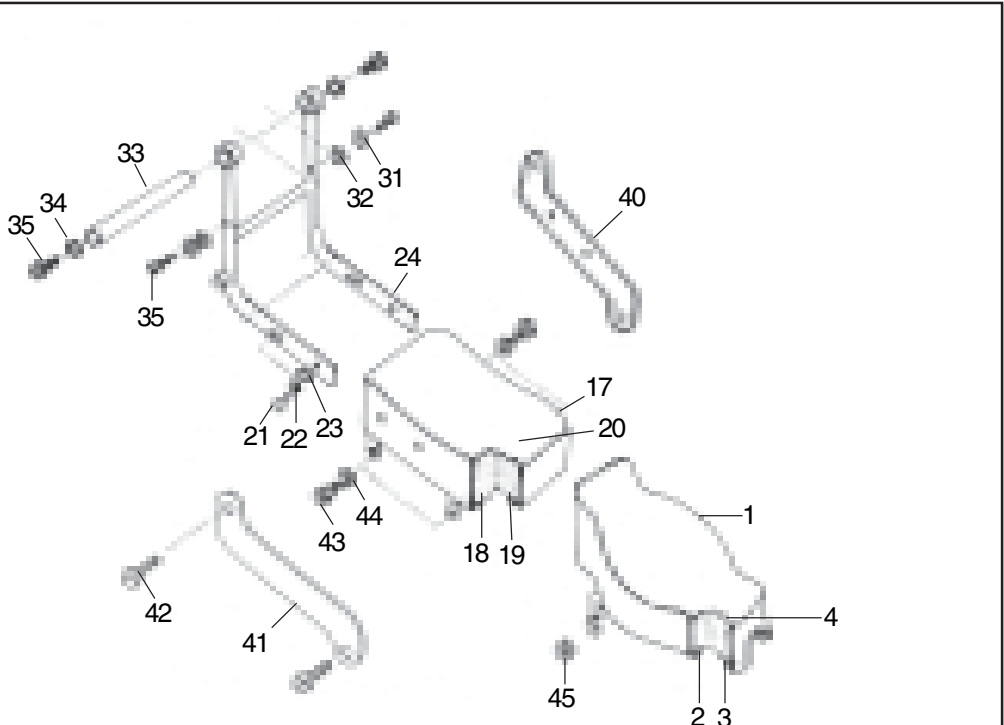
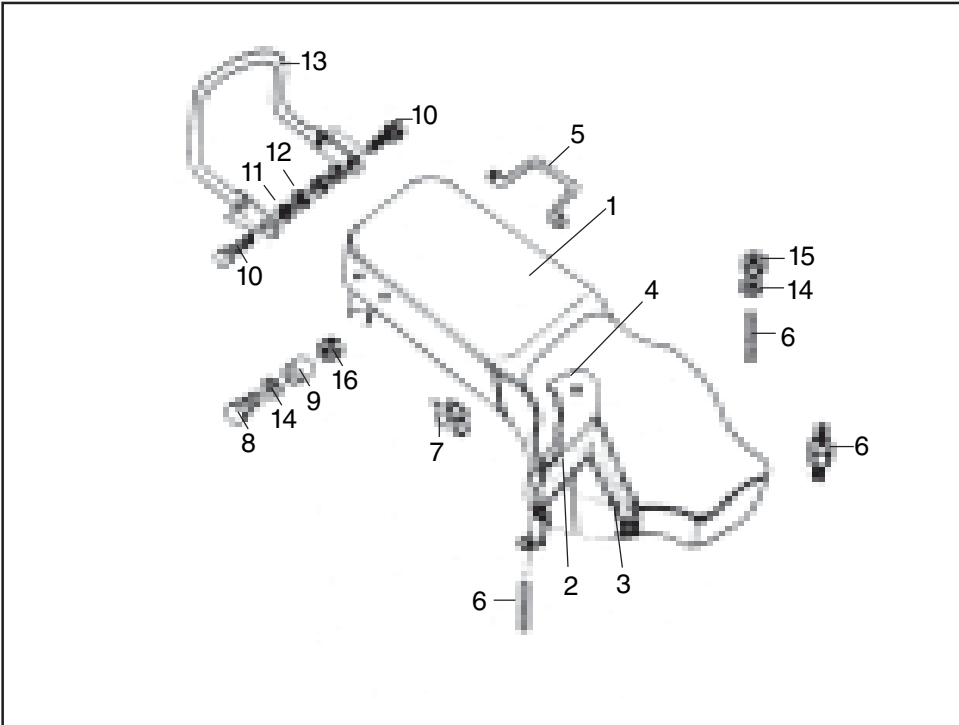
THUNDERBIRD



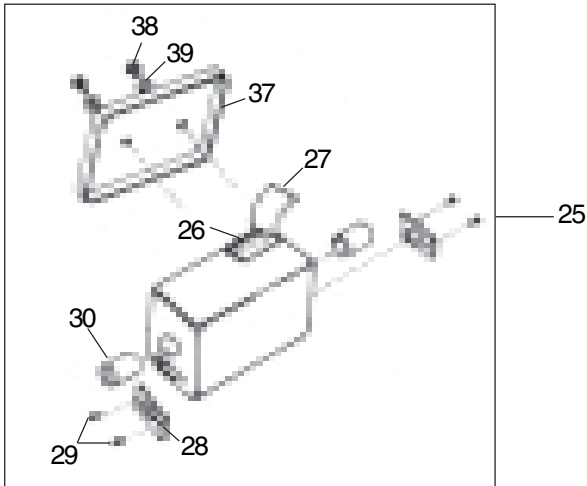
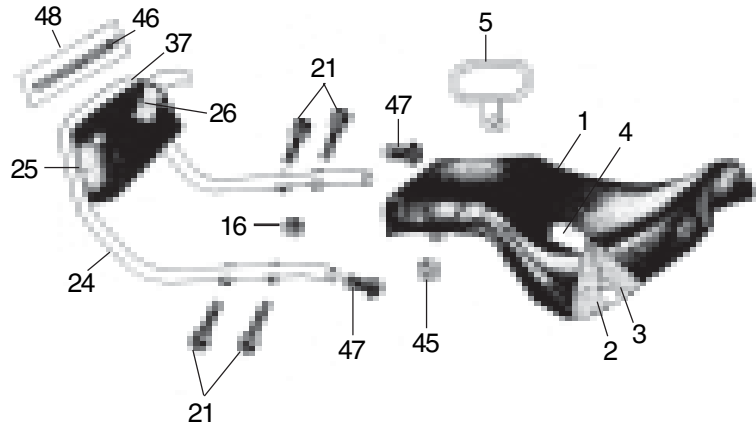
11-10 SEAT ASSEMBLY

Key No.	Part Numbers		Description	Qty.	350								BU 500	Lightning			Bu Mach		T Bird		Remarks	MOQ
	New	Old			Std	Dlx	Mac	Cam	Elec 4S		Elec 5S			500	535	535 ES	A350	A500	KS	ES		
									KS	ES	KS	ES										
9	143712		Distance tube	2	●	●														1		
10	142274		Hex screw	2	●	●	●	●	●	●	●				●	●			Not Serviced	40		
	145862/A		Flanged hex bolt M6 X 20	4				●	●	●	●				●	●				10		
11	141061		Washer	4	●	●	●	●	●	●	●				●	●				1		
12	142182/2		Hex Nylock nut	4	●	●	●	●	●	●	●				●	●				40		
13	141654/1		Pillion handle	1	●	●	●	●	●	●	●				●	●				1		
14	140437/1		Plain Washer	4	●	●	●	●	●	●	●				●	●				1		
15	140079/5		Hex Nut 5/16 CEI	2	●	●	●	●			●				●					50		
16	141051		Hex nut	2			●				●				●		●	●		40		
17	801138		Seat assy., Pillion, Black	1								●	●	●					Not Serviced	1		
	810008		Seat assy., Pillion, Grey	2								●	●	●					Not Serviced	1		
	817002		Seat assy., Pillion, Maroon	3								●	●	●					Not Serviced	1		
18	801072		Seat pan assy., Pillion	1								●	●	●					Not Serviced	1		
19	170194		Seat cushion, Pillion	1								●	●	●					Not Serviced	1		
20	170296		Seat cover, Pillion	1								●	●	●					Not Serviced	1		
21	142761		Hex screw M8 x 20	4								●	●	●					Not Serviced	50		
	521127		Hex socket head cap screw M8 x 40	4													●	●		10		
22	140747		Lock washer	4								●	●	●					Not Serviced	1		
23	140080/2		Plain washer	4								●	●	●					Not Serviced	1		
24	170173		Tube assy.	1								●	●	●					Not Serviced	1		
	521072/C	521072/B	Tube - Back rest	1													●	●	Before/After Feb 2003	1		
25	801139		Back rest assembly, Black	1								●	●	●					Not Serviced	1		
	810009		Back rest assembly, Grey	1								●	●	●					Not Serviced	1		
	817003		Back rest assembly, Maroon	1								●	●	●					Not Serviced	1		
	521085/B	521085/A	Back rest assembly	1													●	●	Before/After Feb 2003	1		

11-10 SEAT ASSEMBLY

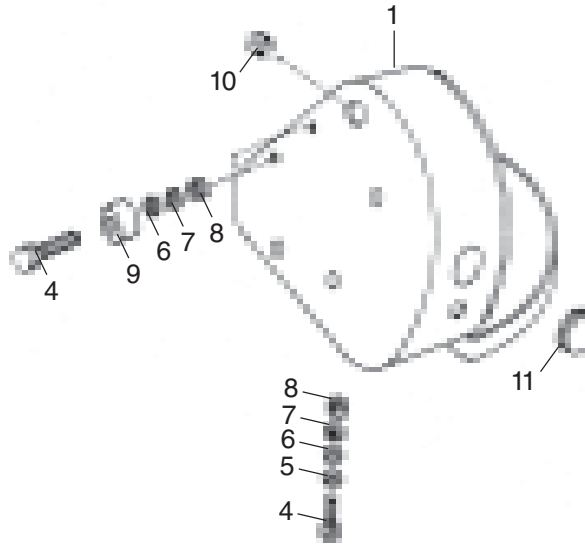
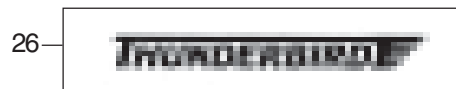
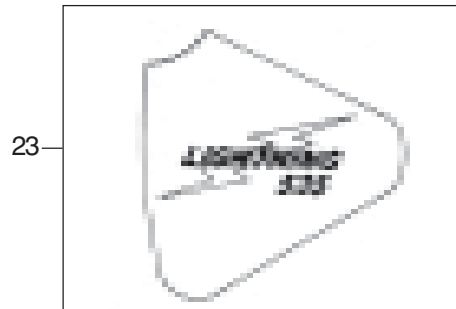
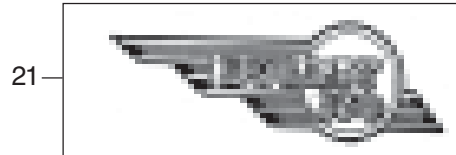


THUNDERBIRD

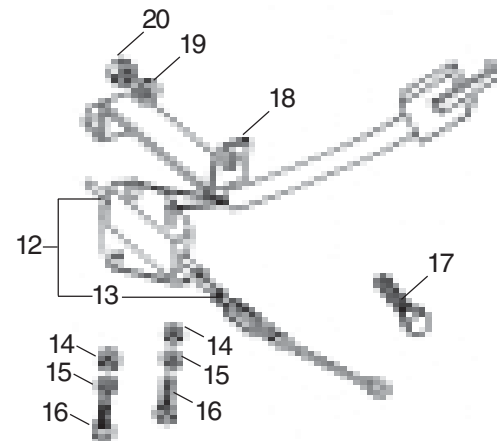
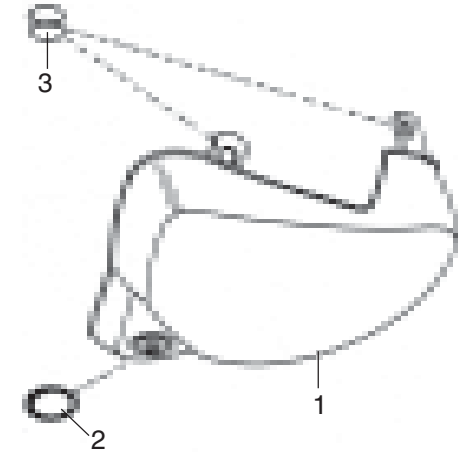


11-10 SEAT ASSEMBLY

Key No.	Part Numbers		Description	Qty.	350								BU 500	Lightning			Bu Mach		T Bird		Remarks	MOQ
	New	Old			Std	Dlx	Mac	Cam	Elec 4S		Elec 5S			500	535	535 ES	A350	A500	KS	ES		
									KS	ES	KS	ES										
26	170260		Cushion, Back rest	1								●	●	●					Not Serviced	1		
	521074/A		Cushion, Back rest	1													●	●		1		
27	170297		Cover, Back rest	1								●	●	●					Not Serviced	1		
	521126		Cover, Back rest	1													●	●		1		
28	170198		Stopper, Back rest	1								●	●	●					Not Serviced	1		
29	170218		Tapping screw	4								●	●	●					Not Serviced	1		
30	170199		Guide bush	2								●	●	●					Not Serviced	1		
31	143409		Plain washer	2								●	●	●					Not Serviced	100		
32	170267		Undulated washer	2								●	●	●					Not Serviced	1		
33	170192		Pivot rod	1								●	●	●					Not Serviced	1		
34	170219		Plain washer	2								●	●	●					Not Serviced	1		
35	170190		Stopper pin	2								●	●	●					Not Serviced	1		
36	170294		Allen screw	2								●	●	●					Not Serviced	1		
37	170217	170405	Cover plate, Back rest	1								●	●	●					Not Serviced	1		
	521073/A		Cover plate, Back rest	1													●	●		1		
38	124539		Slotted cheese head screw M5 x 10	2								●	●	●					Not Serviced	1		
39	142023		Washer	2								●	●	●					Not Serviced	1		
40	170211		Side décor LH	1								●	●	●					Not Serviced	1		
41	170212		Side décor RH	1								●	●	●					Not Serviced	1		
42	142894		Slotted cheese head screw M6 x 10	4								●	●	●					Not Serviced	1		
43	142258		Hex screw M8 x 16	4								●	●	●					Not Serviced	40		
44	140080/2		Washer	4								●	●	●					Not Serviced	1		
45	140302/3		Nut	2	●	●	●	●	●			●	●	●	●			●	●		20	
46	521086/A		Monogram, Back rest	1													●	●		1		
47	521116/D		Plug	2													●	●	LTD	30		
48	521169/B		Back rest with monogram	1													●	●		1		

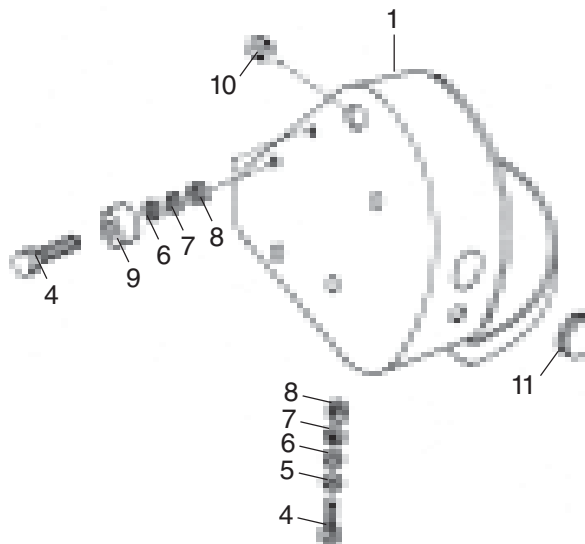
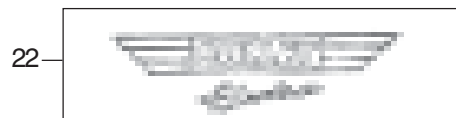
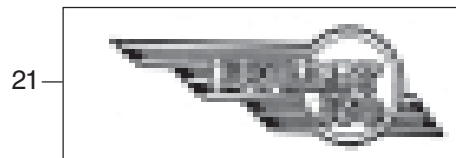


THUNDERBIRD

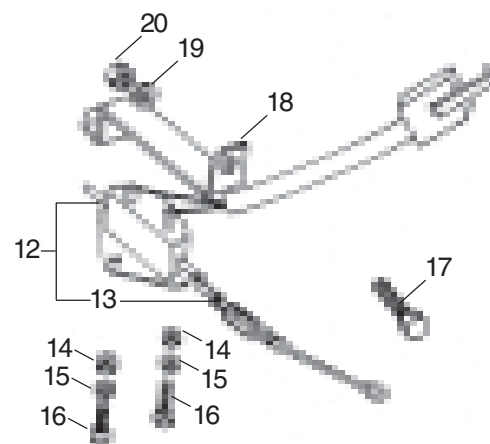
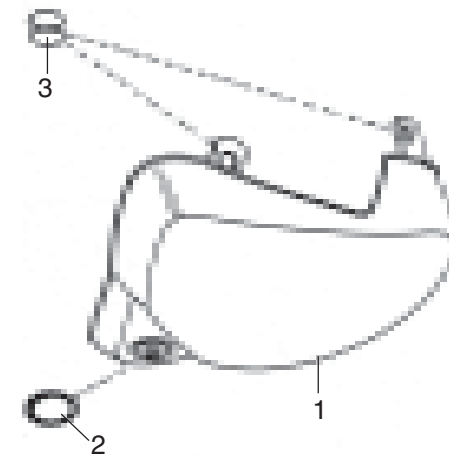


12-10 TOOL BOX LH

Key No.	Part Numbers		Description	Qty.	350								BU 500	Lightning			Bu Mach		T Bird		Remarks	MOQ
	New	Old			Std	Dlx	Mac	Cam	Elec 4S		Elec 5S			500	535	535 ES	A350	A500	KS	ES		
									KS	ES	KS	ES										
1	801315		Tool box assy LH with sticker, Black	1	●	●	●												Alternate No. 866037	1		
	843095		Tool box assy LH with sticker, Black	1				●	●	●	●										1	
	850054		Tool box assy LH with sticker, Silver	1				●	●	●	●										1	
	836134		Tool box assy LH with sticker, Rivera Red	1				●	●	●	●										1	
	836110		Tool box assy LH with sticker, Rivera Red	1				●	●	●	●									LTD	1	
	843067		Tool box assy LH with sticker, Black	1				●	●	●	●									LTD	1	
	806005		Tool box assy LH, Grey	1								●									1	
	810003		Tool box assy LH with sticker, Grey/Black	1									●	●	●					Not Serviced	1	
	801070		Tool box assy LH with sticker, Black/Red	1									●	●	●					LTD	1	
	809003		Tool box assy LH with sticker, Burg/S.wood	1									●	●	●					Not Serviced	1	
	810045		Tool box assy LH with sticker, Black	1											●					Alternate No. 147274/A		
	810047		Tool box assy LH with sticker, Black	1												●				Alternate No. 510273/A		
	847037		Tool box assy LH with sticker, Alberto Green	1											●					Not Serviced		
	847039		Tool box assy LH with sticker, Alberto Green	1												●						
	836113		Side panel LH, Rivera Red	1													●	●		Alternate No. 521102/C	1	
843070		Side panel LH, Ocean Black	1													●	●		Alternate No. 521079/D	1		
2	521066/A		Side pannel boot	1													●	●		1		
3	521112/A		Grommet	2													●	●		1		
4	142274/A		Bolt	1	●	●	●	●	●	●	●	●	●	●	●	●	●	●			40	
5	140383/3		Washer	1	●	●	●	●	●	●	●	●	●	●	●	●	●	●			1	
6	141061/1		Washer	3	●	●	●	●	●	●	●	●	●	●	●	●	●	●			1	
7	140129		Lock washer	3	●	●	●	●	●	●	●	●	●	●	●	●	●	●			50	
8	141060		Nut	3	●	●	●	●	●	●	●	●	●	●	●	●	●	●			40	
9	143541/B		Spacer, Tool box	2	●	●	●	●	●	●	●	●	●	●	●	●	●	●		Not Serviced	1	
10	110161		Grommet, Tool box	1	●	●	●	●	●	●	●	●				●	●				1	
	170242/A		Grommet, Tool box	1									●	●	●						1	

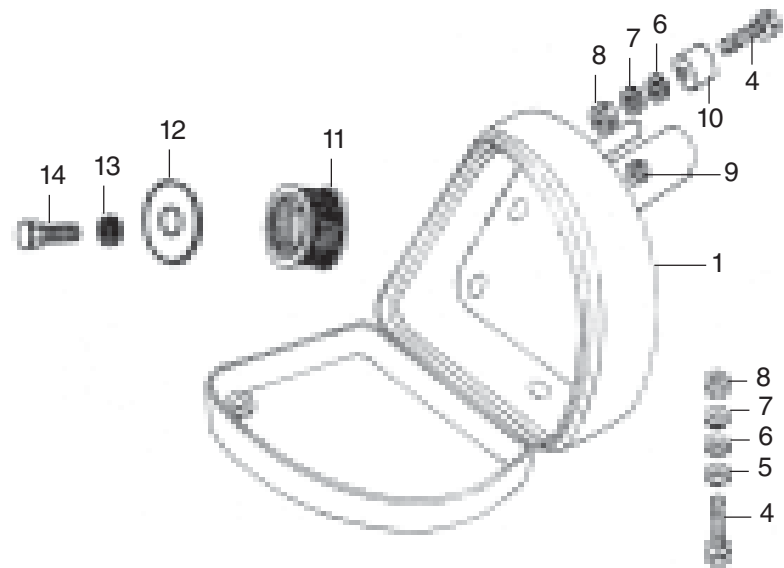
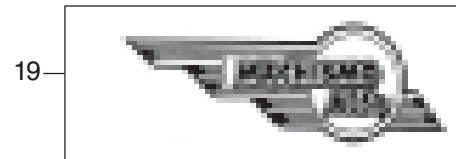


THUNDERBIRD

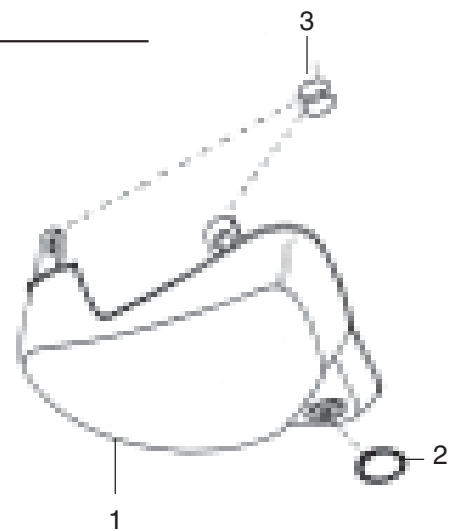


12-10 TOOL BOX LH

Key No.	Part Numbers		Description	Qty.	350								BU 500	Lightning			Bu Mach		T Bird		Remarks	MOQ
	New	Old			Std	Dlx	Mac	Cam	Elec 4S		Elec 5S			500	535	535 ES	A350	A500	KS	ES		
									KS	ES	KS	ES										
11	143843/C	110160	Grommet	1	●	●	●	●	●	●	●	●	●	●	●						1	
12	144351		Switch, Brake light	1	●	●	●	●			●	●	●								1	
	540075/A		Switch, Brake light	1				●	●	●	●				●	●					1	
13	153404		Spring, Brake light switch	1	●	●	●	●	●		●	●	●	●	●					LTD	1	
14	140540		Nut, Stop light switch M4	2	●	●	●	●	●	●	●	●	●	●	●						50	
15	140541	140308	Washer	2	●	●	●	●	●		●	●	●	●	●					Not Serviced	1	
16	140542		Screw, Stop light switch	2	●	●	●	●	●	●	●	●	●	●	●	●					50	
17	110158		Screw	1	●	●	●	●	●	●	●	●	●	●	●	●					1	
18	801015		Shield	1	●	●	●	●			●	●	●						LTD	5		
	801160		Shield	1				●	●	●	●				●	●				Not Serviced	1	
19	140244		Lock washer	1	●	●	●	●	●	●	●	●	●	●	●	●				Not Serviced	1	
20	140243		Nut	1	●	●	●	●	●	●	●	●	●	●	●	●					100	
21	801302		Transfer, Tool box	1	●	●	●													Before Nov 2001	1	
22	801302		Sticker	1	●																4	
	146153/A		Sticker, Black	1				●	●	●	●										1	
	146043/A		Sticker, Rivera Red	1				●	●	●	●										1	
	146154/A		Sticker, Silver	1				●	●	●	●										1	
23	842004		Sticker, Silver	1				●	●	●	●								LTD	1		
24	810017		Sticker, Grey/Black	1								●	●	●							1	
	809048		Sticker, Burgundy/S.Wood	1								●	●	●							1	
	801232		Sticker, Black/Red	1								●	●	●							1	
25	500458		Transfer, Tool box	1											●				Before Nov 2001	1		
26	801516		Sticker, Black/Gold	2											●					Not Serviced	1	
	801515		Sticker, Black/Gold	2												●			LTD	1		
	810044		Sticker, Mettalic Grey/Gold	2											●					1		
	810043		Sticker, Mettalic Grey/Gold	2												●			LTD	1		
27	521142/A	521142/A	Side panel monogram	1													●	●			1	

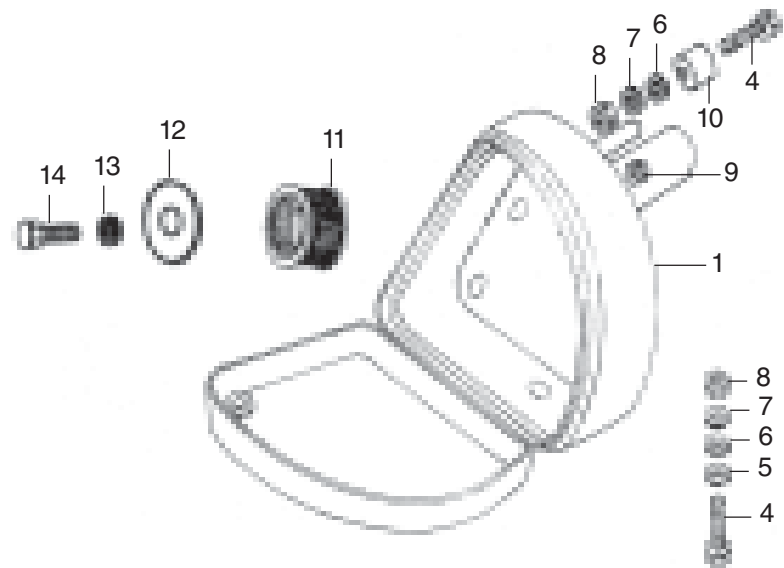
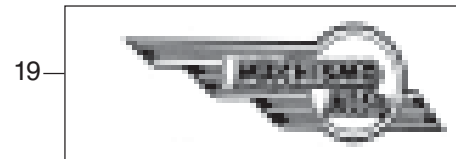
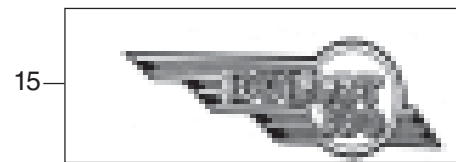


THUNDERBIRD

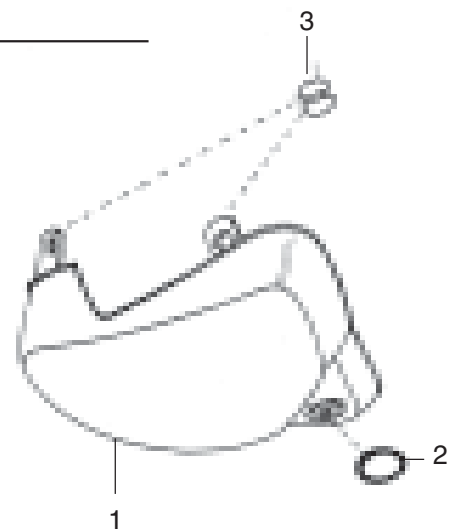


12-20 TOOL BOX RH

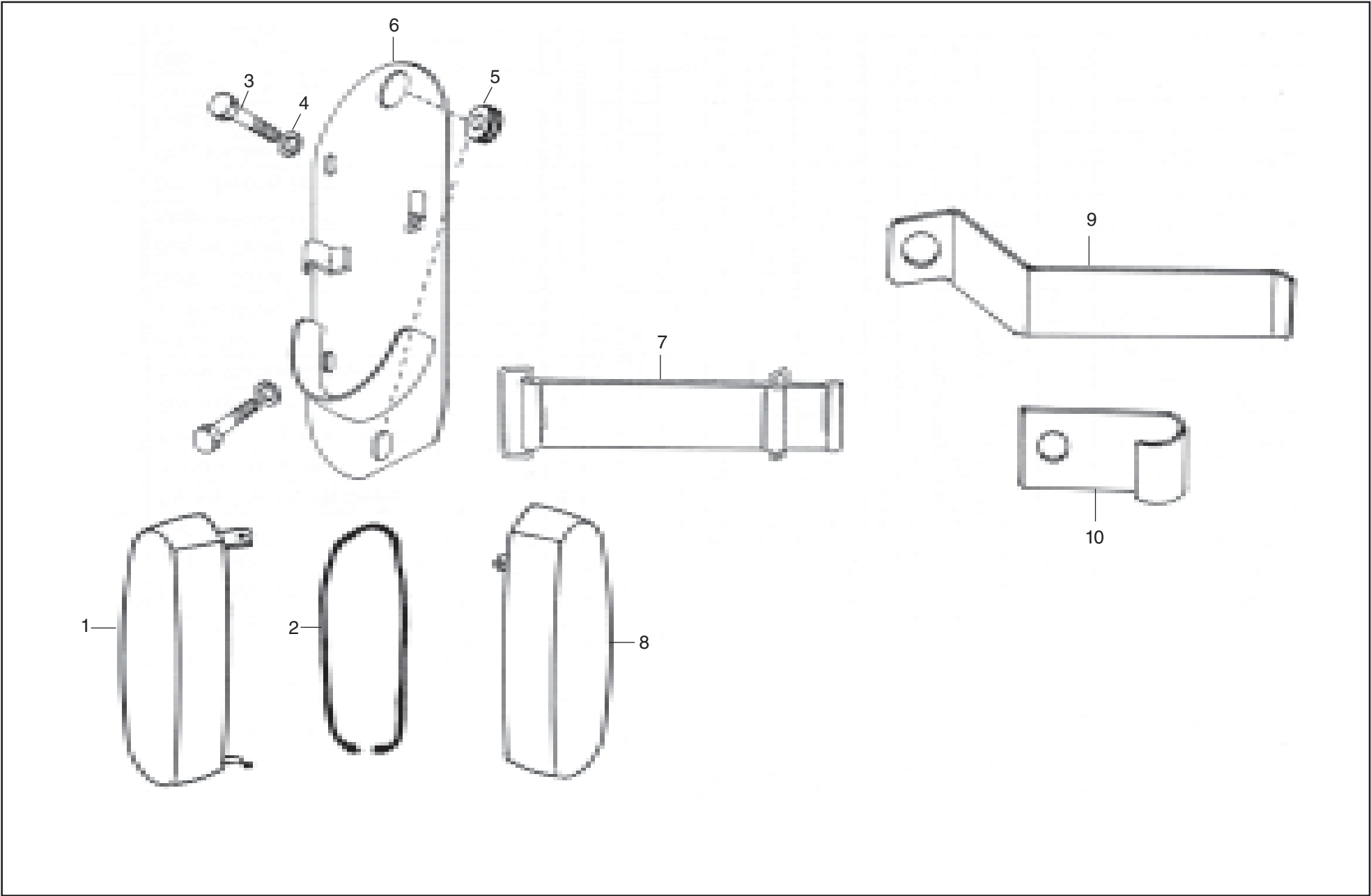
Key No.	Part Numbers		Description	Qty.	350								BU 500	Lightning			Bu Mach		T Bird		Remarks	MOQ
	New	Old			Std	Dlx	Mac	Cam	Elec 4S		Elec 5S			500	535	535 ES	A350	A500	KS	ES		
									KS	ES	KS	ES										
1	801316		Filter box complete with sticker, Black	1	●	●	●	●											Alternate No. 866038	1		
	867009		Filter box complete with sticker, Black	1					●	●	●	●									1	
	850056		Filter box complete with sticker, Silver	1					●	●	●	●									1	
	836133		Filter box complete with sticker, Rivera Red	1					●	●	●	●									1	
	836111		Filter box complete with sticker, Rivera Red	1					●	●	●	●								Not Serviced	1	
	843068		Filter box complete with sticker, Black	1					●	●	●	●								LTD	1	
	806048		Filter box complete, Grey	1								●								Not Serviced	1	
	810010		Filter box complete with sticker, Grey/Black	1									●	●	●						1	
	801069		Filter box complete with sticker, Black/Red	1									●	●	●					LTD	1	
	809002		Filter box complete with sticker, Burg/S.wood	1									●	●	●					LTD	1	
	810046		Tool box complete with sticker, Black	1											●					Alternate No. 142275/A	1	
	810048		Tool box complete with sticker, Black	1												●				Alternate No. 510274/A	1	
	847038		Tool box complete with sticker, Alberto Green	1											●						1	
	847040		Tool box complete with sticker, Alberto Green	1												●					1	
	836114		Side panel RH, Rivera Red	1													●	●		Alternate No. 521174/A	1	
843071		Side panel RH, Ocean Black	1													●	●		Alternate No. 521080/E	1		
2	521066/A		Side panel boot	1													●	●		1		
3	521112/B	521112/A	Grommet	2													●	●		1		
4	142274		Bolt	1	●	●	●	●	●	●	●	●	●	●	●	●	●	●			40	
5	140383		Washer	1	●	●	●	●	●	●	●	●	●	●	●	●	●	●			1	
6	141061/1		Washer	3	●	●	●	●	●	●	●	●	●	●	●	●	●	●			1	
7	140129		Lock washer	3	●	●	●	●	●	●	●	●	●	●	●	●	●	●			50	
8	141060		Nut	3	●	●	●	●	●	●	●	●	●	●	●	●	●	●			40	
9	143843/C		Grommet	1	●	●	●	●	●	●	●	●	●	●	●	●	●	●			1	
10	143540/B		Spacer	2	●	●	●	●	●	●	●	●	●	●	●	●	●	●			1	
11	143548/A		Air filter element	1					●	●	●	●				●	●			1		



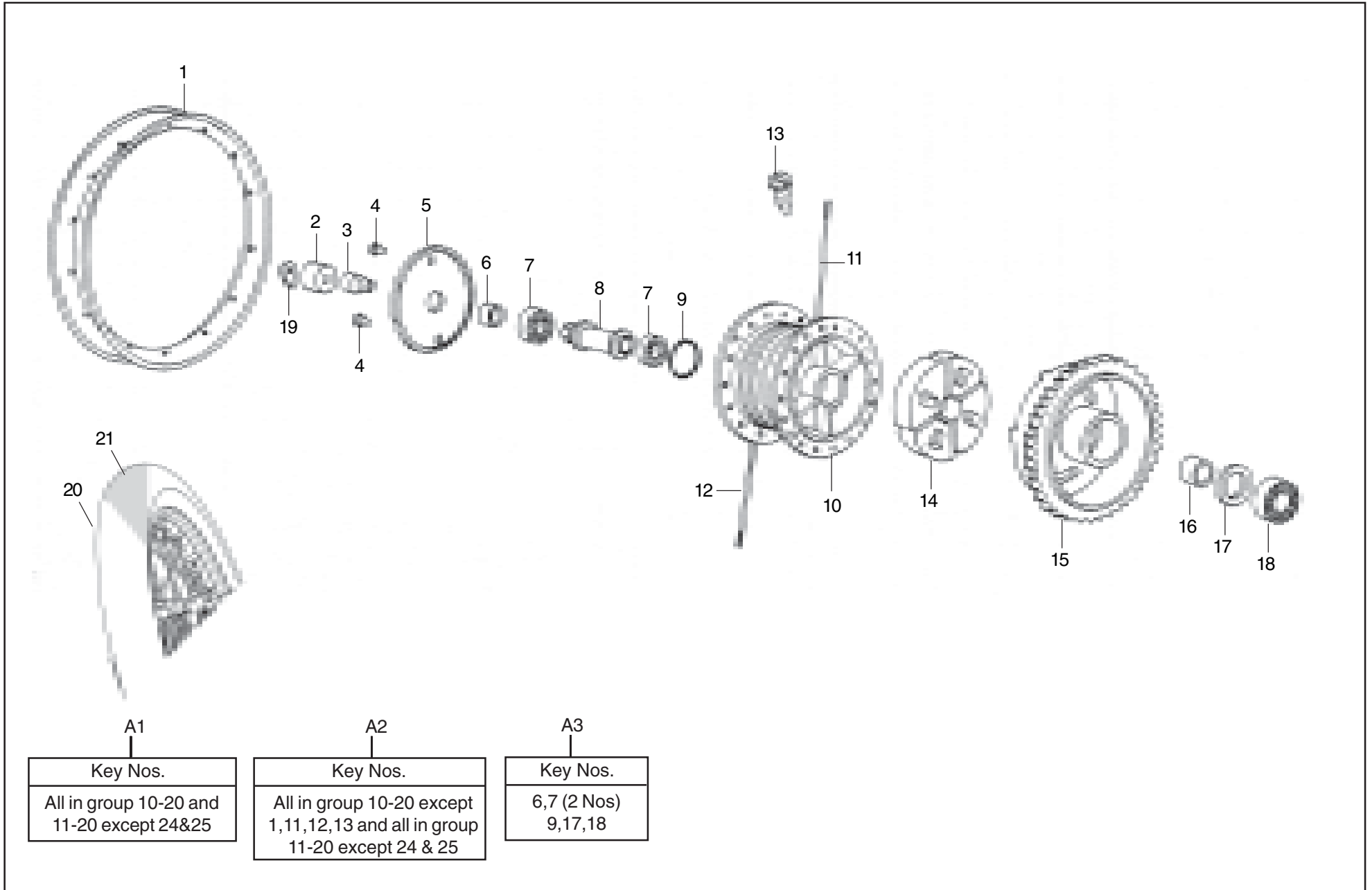
THUNDERBIRD



12-30 SIDE DECOR



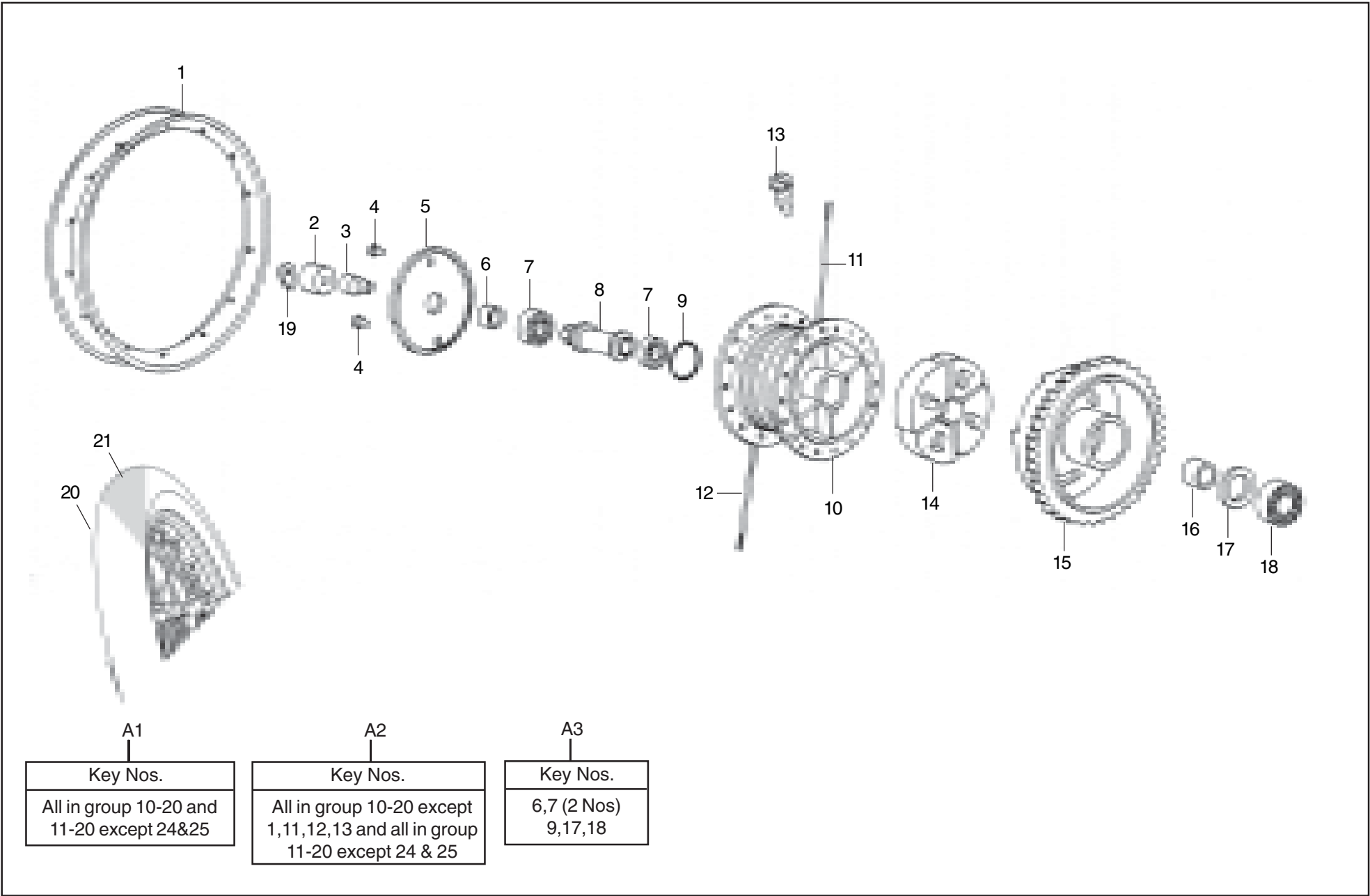
13-10 REAR WHEEL & HUB



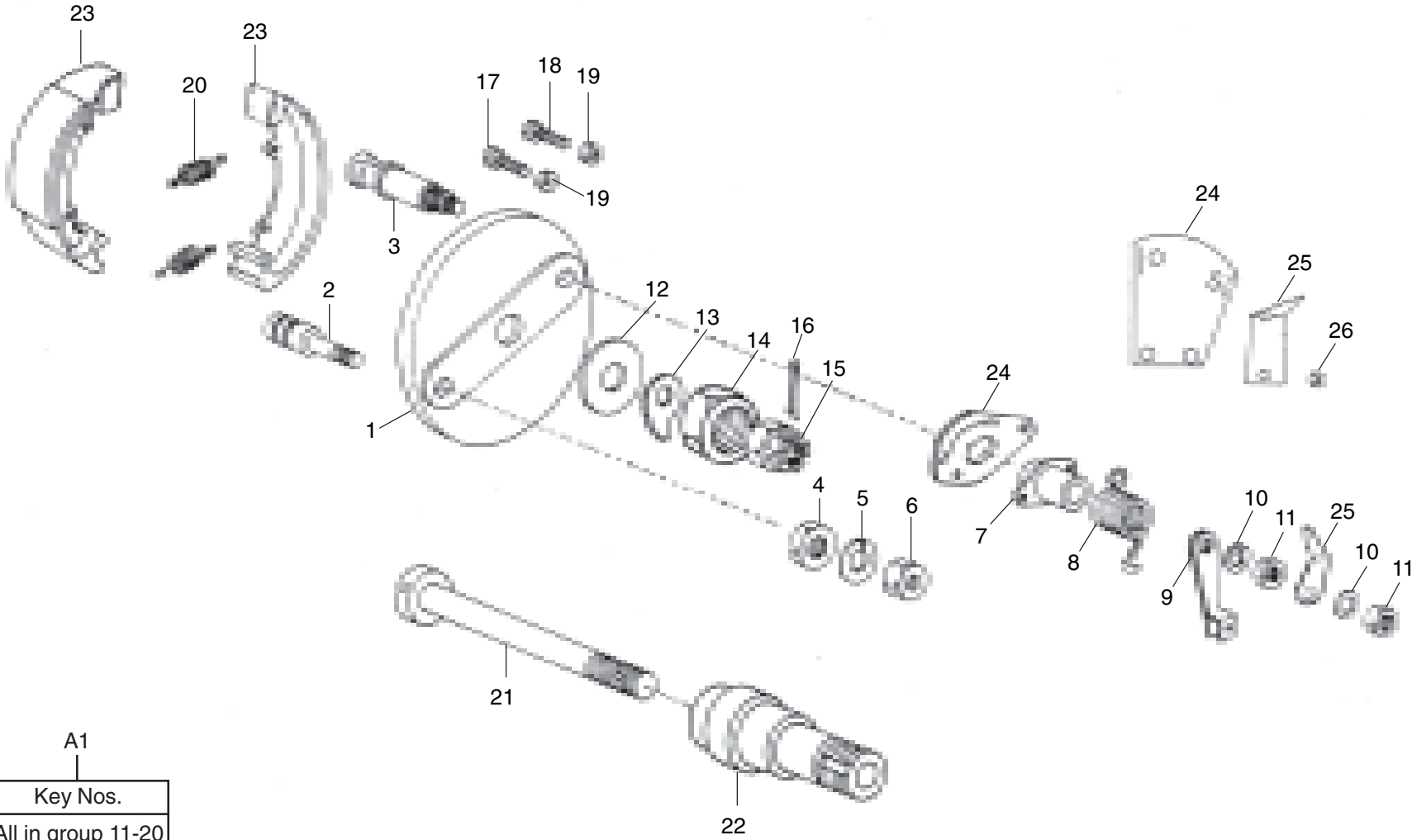
13-10 REAR WHEEL & HUB

Key No.	Part Numbers		Description	Qty.	350										Lightning			Bu Mach		T Bird		Remarks	MOQ		
	New	Old			Std	Dlx	Mac	Cam	Elec 4S		Elec 5S		BU 500	500	535	535 ES	A350	A500	KS	ES					
									KS	ES	KS	ES													
A1	141101		Wheel assembly, Rear	1	●	●	●	●					●												1
	170397		Rear wheel assembly	1					●	●	●	●										●	●		1
	141468		Rear wheel assembly	1													●	●							1
A2	142347		Hub assembly, Rear	1	●	●	●	●					●											LTD	1
	170386		Rear heb assy. W/o rim & sprocket	1					●	●	●	●										●	●		1
	145141/2		Rear heb assy. W/o rim & sprocket	1													●	●							1
A3	144296		Bearing kit, Rear wheel	1	●	●	●	●					●	●	●	●									1
1	147507/B		Wheel rim VM 2-19	1	●	●	●	●	●	●	●	●	●	●	●	●	●	●	●	●	●	●	●		1
2	141121/B		Distance piece - Rear hub	1	●	●	●	●	●	●	●	●	●	●	●	●	●	●	●	●	●	●	●		2
3	141119/B		Distance piece - Rear hub	1	●	●	●	●	●	●	●	●	●	●	●	●	●	●	●	●	●	●	●		5
4	124539/1		Screw, Rear hub cover	2	●	●	●	●	●	●	●	●	●	●	●	●	●	●	●	●	●	●	●		100
5	804005		Cover, Rear hub	1	●	●	●	●	●	●	●	●	●	●	●	●	●	●	●	●	●	●	●		1
6	141109/1		Grease seal	1	●	●	●	●	●	●	●	●	●	●	●	●	●	●	●	●	●	●	●		5
7	124316		Bearing 6203.2 Z R - C3	2	●	●	●	●					●	●	●	●	●	●						Not Serviced	1
	145552/B		Bearing, Rubber seal 6203 RS1-C3	2	●	●	●	●	●	●	●	●	●	●	●	●	●	●	●	●	●	●	●	Alternate No. 150324/A	1
8	146799/A		Rear hub spacer assembly	1	●	●	●	●	●	●	●	●	●	●	●	●	●	●	●	●	●	●	●		1
9	146256/A		"O" Ring Rear hub	1	●	●	●	●	●	●	●	●	●	●	●	●	●	●	●	●	●	●	●		40
10	804006		Hub rear	1	●	●	●	●	●	●	●	●	●	●	●	●	●	●	●	●	●	●	●		1
11	141135		Spokes, Inner	20	●	●	●	●	●	●	●	●	●	●	●	●	●	●	●	●	●	●	●		20
12	141136		Spokes, Outer	20	●	●	●	●	●	●	●	●	●	●	●	●	●	●	●	●	●	●	●		20
13	110349		Nipple	40	●	●	●	●	●	●	●	●	●	●	●	●	●	●	●	●	●	●	●		1
14	144471/A		Cush rubber	4	●	●	●	●	●	●	●	●	●	●	●	●	●	●	●	●	●	●	●		4
15	801479		Sprocket drum	1	●	●	●	●	●	●	●	●	●	●	●	●						●	●		1
16	141115/B		Distance collar	1	●	●	●	●	●	●	●	●	●	●	●	●	●	●	●	●	●	●	●		5
17	141113/1		Grease seal	1	●	●	●	●	●	●	●	●	●	●	●	●	●	●	●	●	●	●	●		10

13-10 REAR WHEEL & HUB

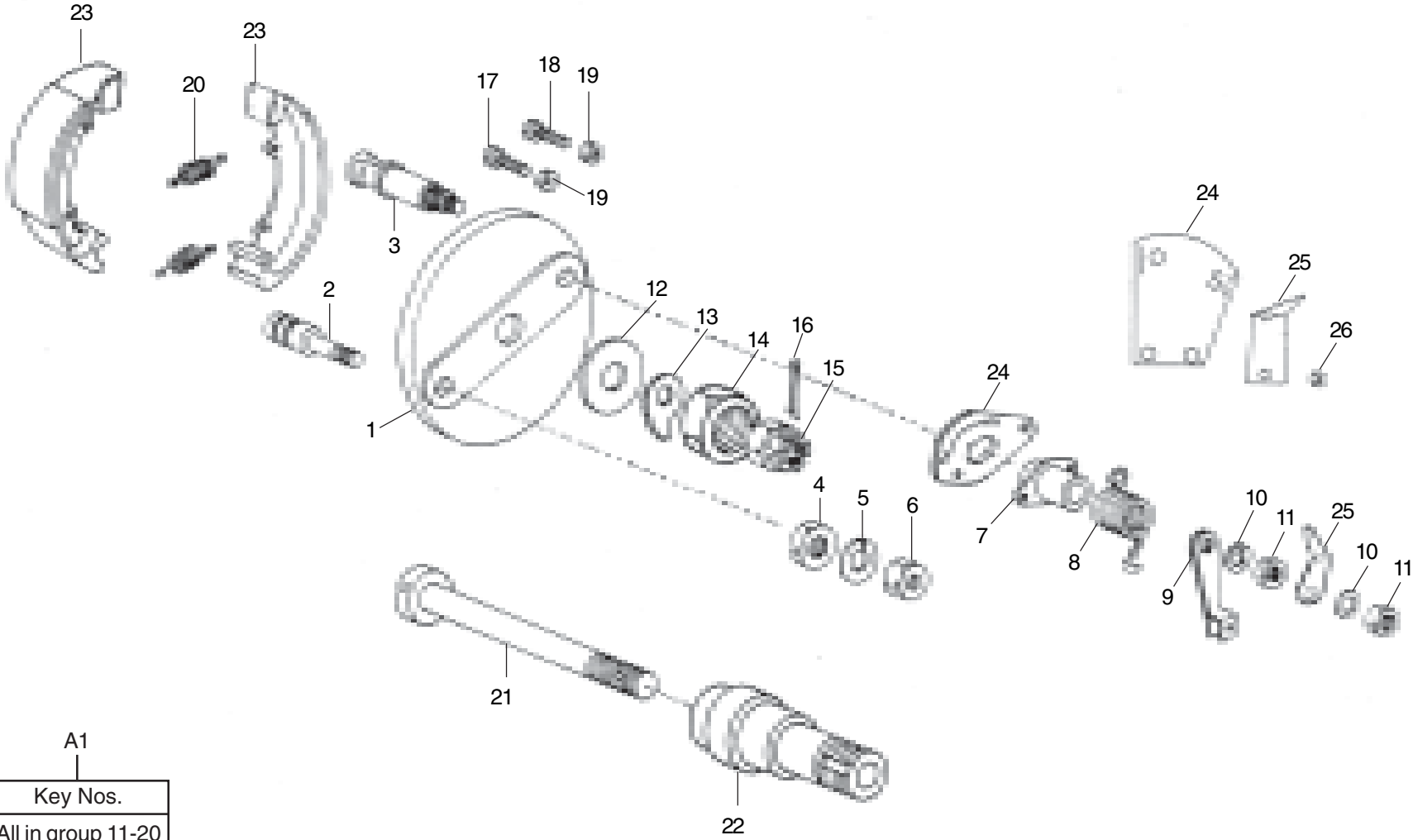


13-20 REAR BRAKE SYSTEM



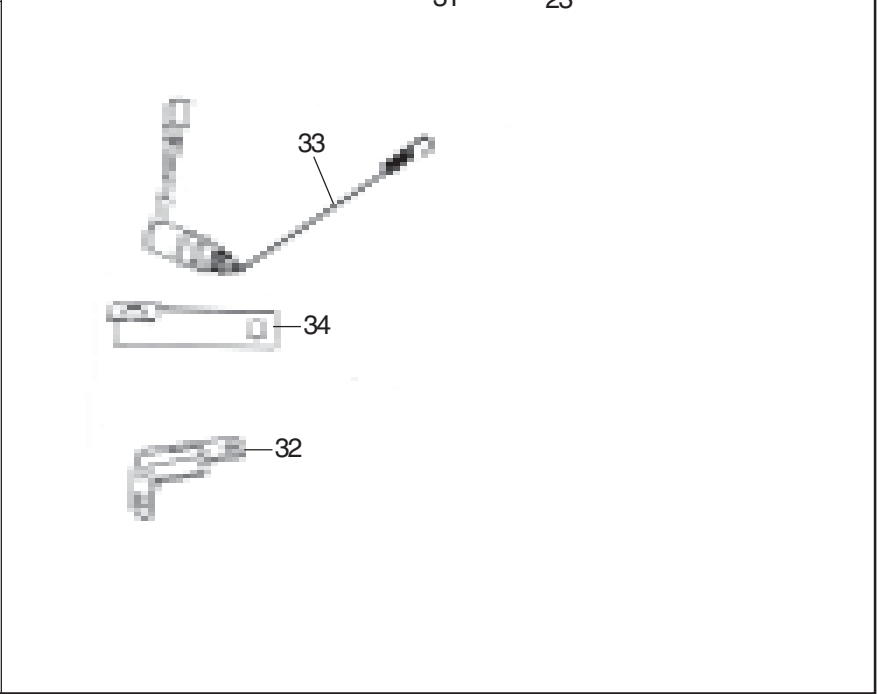
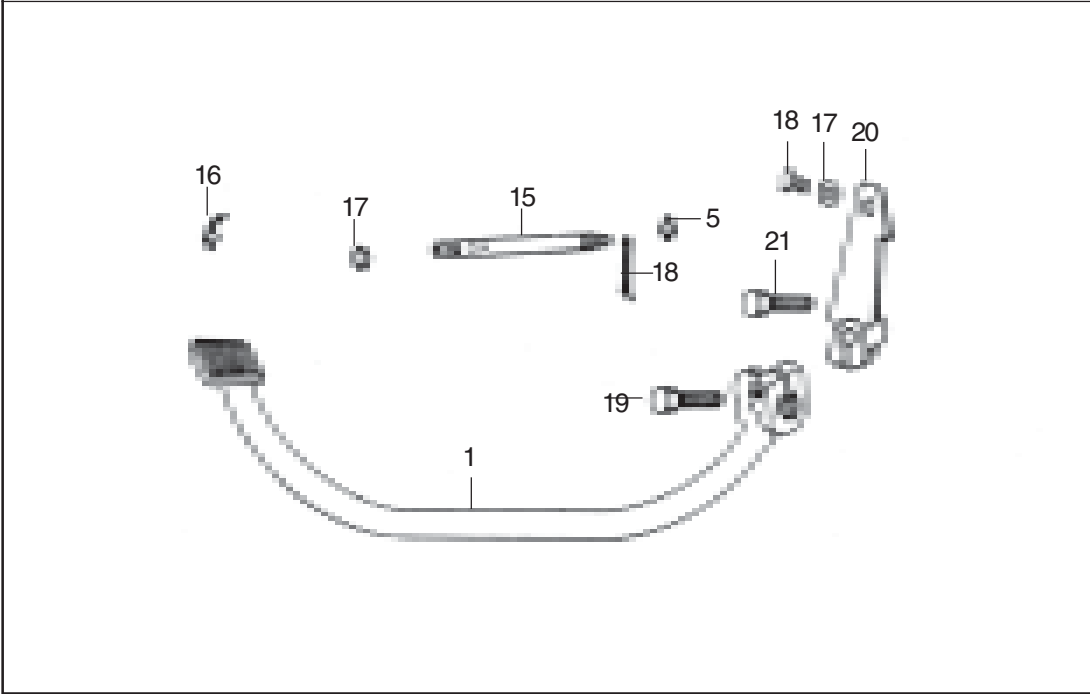
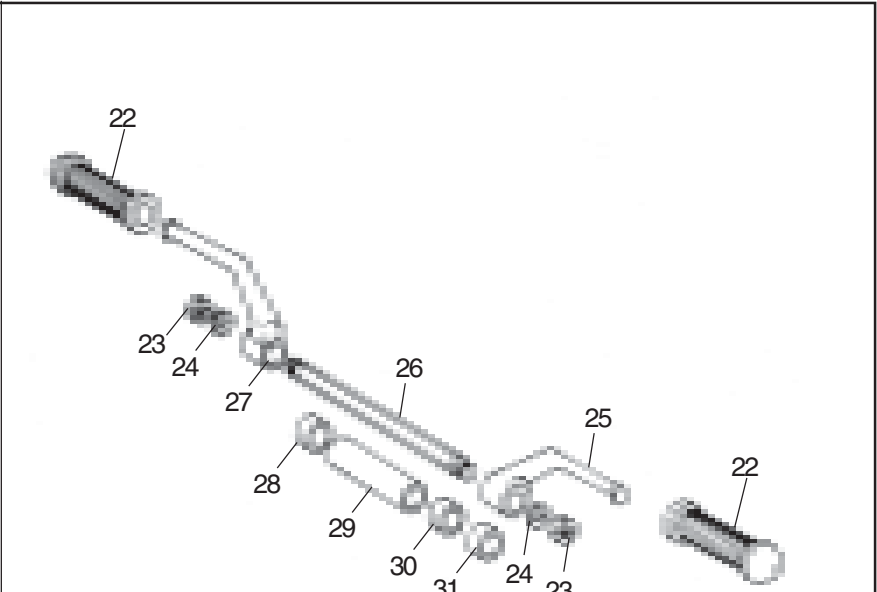
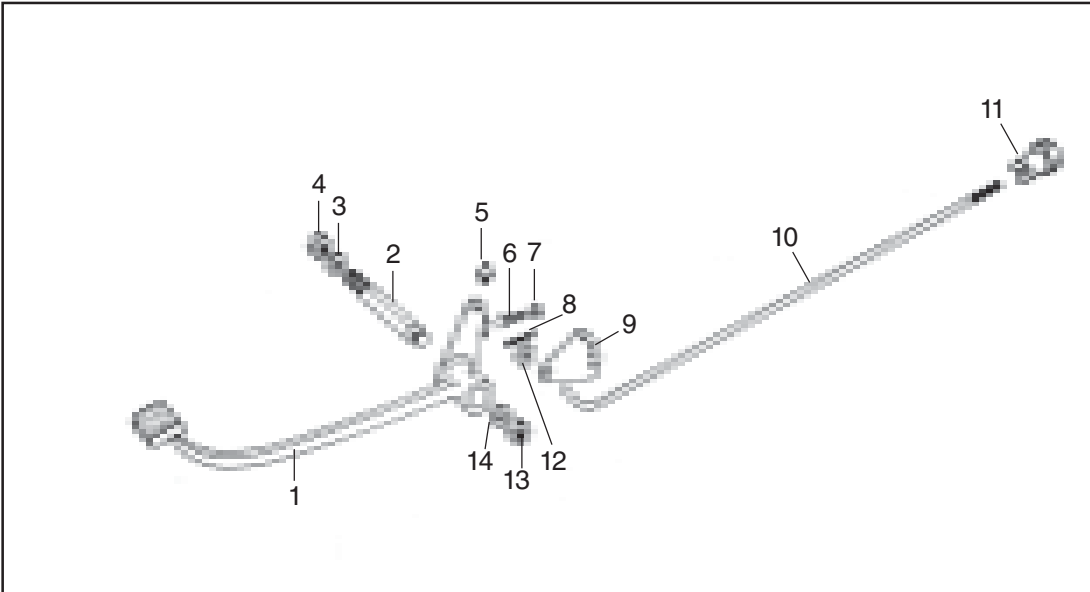
A1
Key Nos.
All in group 11-20
except 21 & 22

13-20 REAR BRAKE SYSTEM



A1
Key Nos.
All in group 11-20
except 21 & 22

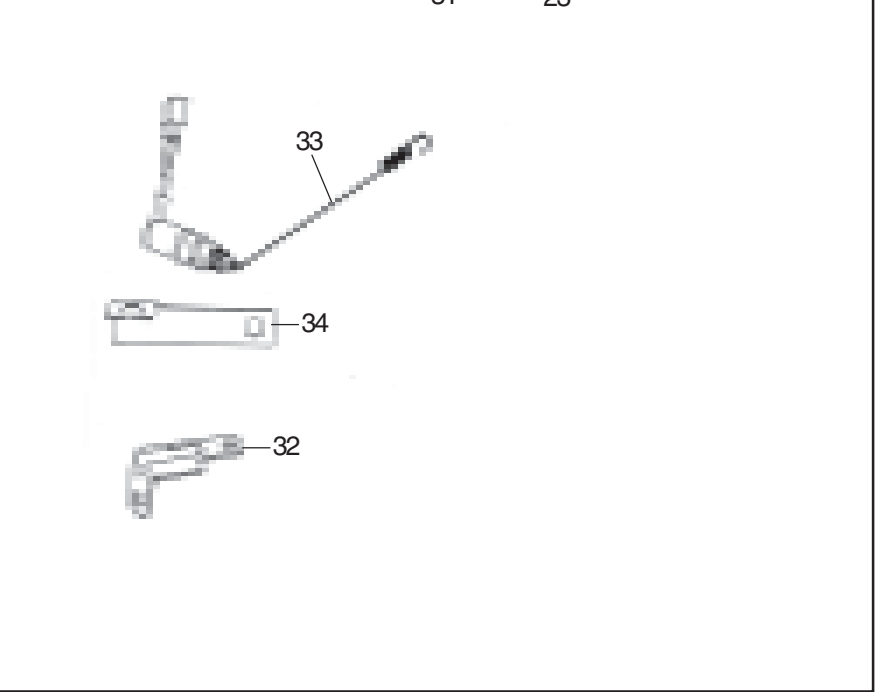
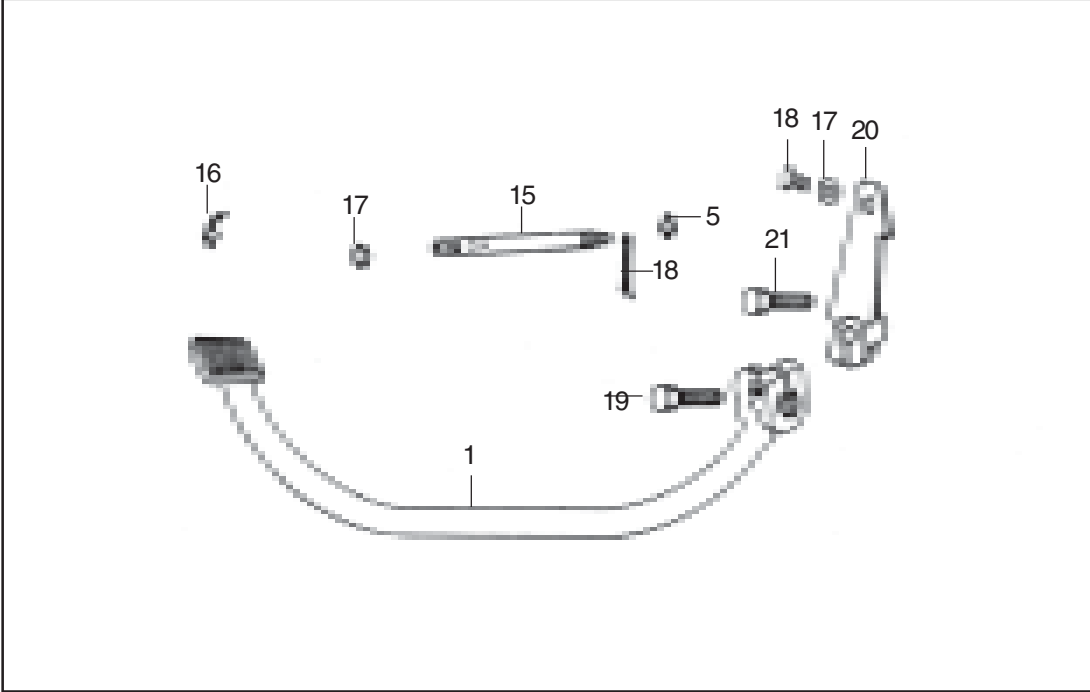
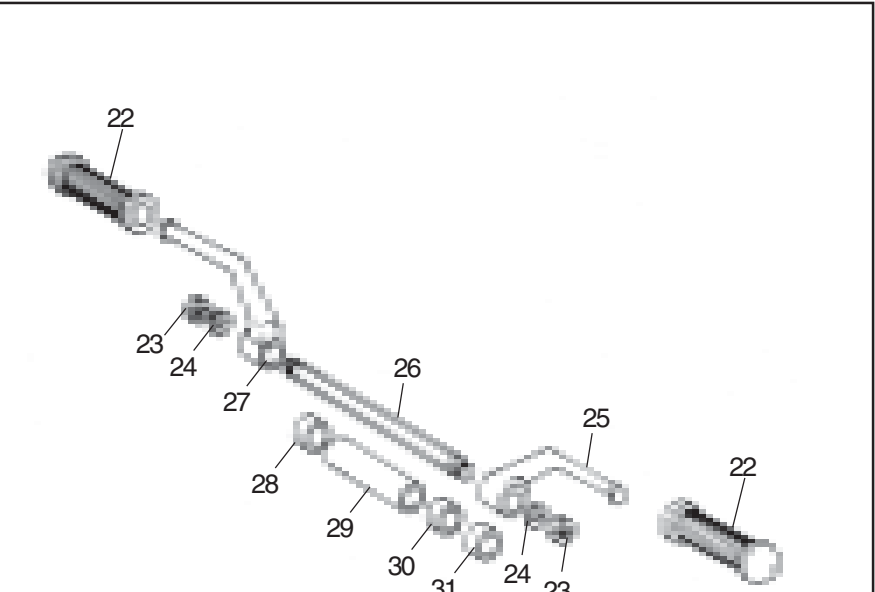
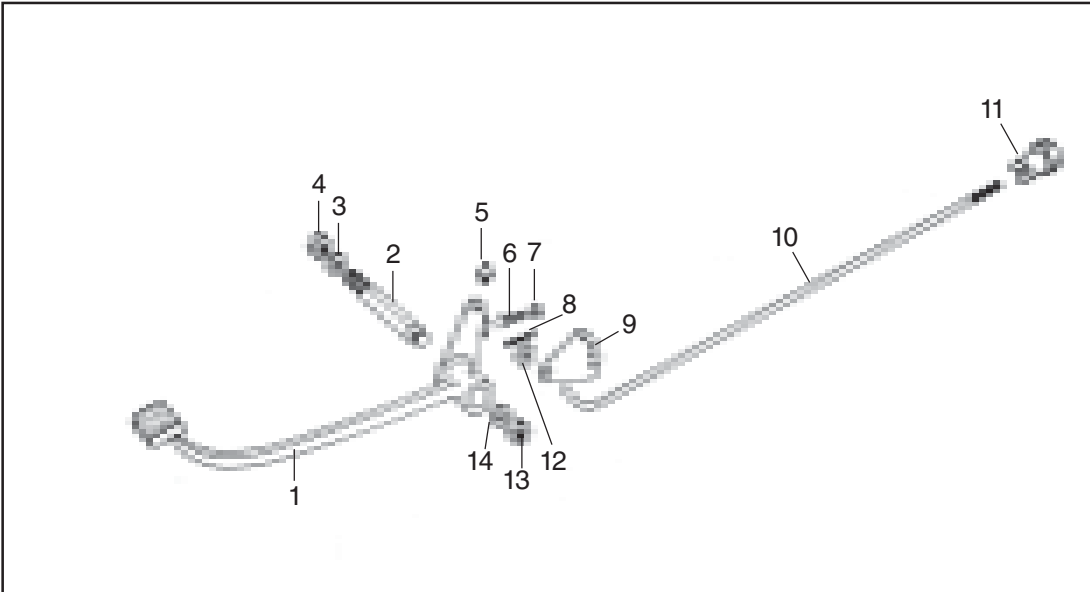
13-30 BRAKE PEDAL AND FOOT RESTS (FRONT)



13-30 BRAKE PEDAL AND FOOT RESTS (FRONT)

Key No.	Part Numbers		Description	Qty.	350								BU 500	Lightning			Bu Mach		T Bird		Remarks	MOQ
	New	Old			Std	Dlx	Mac	Cam	Elec 4S		Elec 5S			500	535	535 ES	A350	A500	KS	ES		
1	801031		Brake pedal	1	●	●							●								1	
	111375		Brake pedal	1			●	●	●	●				●	●	●	●					1
	521130/C	521130/A	Brake pedal - Plated	1							●	●				●	●	●	●			1
2	110300		Stud brake pedal fulcrum	1	●	●	●	●	●	●			●	●	●	●	●					4
3	140305		Washer	1	●	●	●	●	●	●			●	●	●	●	●					50
4	140384		Nut	1	●	●	●	●	●	●			●	●	●	●	●					14
5	113049/2	113049	Grease nipple AM 6 x 1	2	●	●	●	●	●	●			●	●	●	●	●	●	●			1
6	111846		Screw, Pedal height adjusting	1	●	●	●	●	●	●			●	●	●	●			●	LTD		50
	143657		Screw, Pedal height adjusting	1												●	●					40
7	141060		Nut	1	●	●	●	●	●	●			●	●	●	●	●	●				40
8	110298/2	110298	Split pin	1	●	●	●	●	●	●			●	●	●	●	●	●	●			50
9	110170		Tag plate	1	●	●	●	●	●	●			●	●	●	●						1
10	144008/C		Brake rod	1	●	●	●	●	●	●			●	●	●	●						1
	521166/A		Brake rod	1														●	●	LTD		2
	540112/A		Brake rod	1							●	●				●	●					2
11	144009/C	140544	Nut, Rear brake adjuster	1	●	●	●	●	●	●			●	●	●	●	●	●	●			10
12	140206/5	140206	Washer	1	●	●	●	●	●	●			●	●	●	●	●	●	●			50
13	140302		Nut	1	●	●	●	●	●	●			●	●	●	●						1
14	140293		Washer 3/8"	1	●	●	●	●	●	●			●	●	●	●						1
15	113027/B	113027	Brake spindle	1							●	●				●	●	●	●			1
16	113072/A	113072	Grease nipple BM 6 x 1	1							●	●				●	●	●	●			20
17	113028		Plain washer	1							●	●				●	●	●	●			1
18	113030/5	113030	Split pin 1.6 x 25	1							●	●				●	●	●	●			1
19	143657		Hex screw M6 x 25	1							●	●				●	●	●	●			40
20	113089/C		Lever assy	1							●	●				●	●	●	●			1
21	113086		Hex screw M8 x 25	1							●	●				●	●	●	●			1

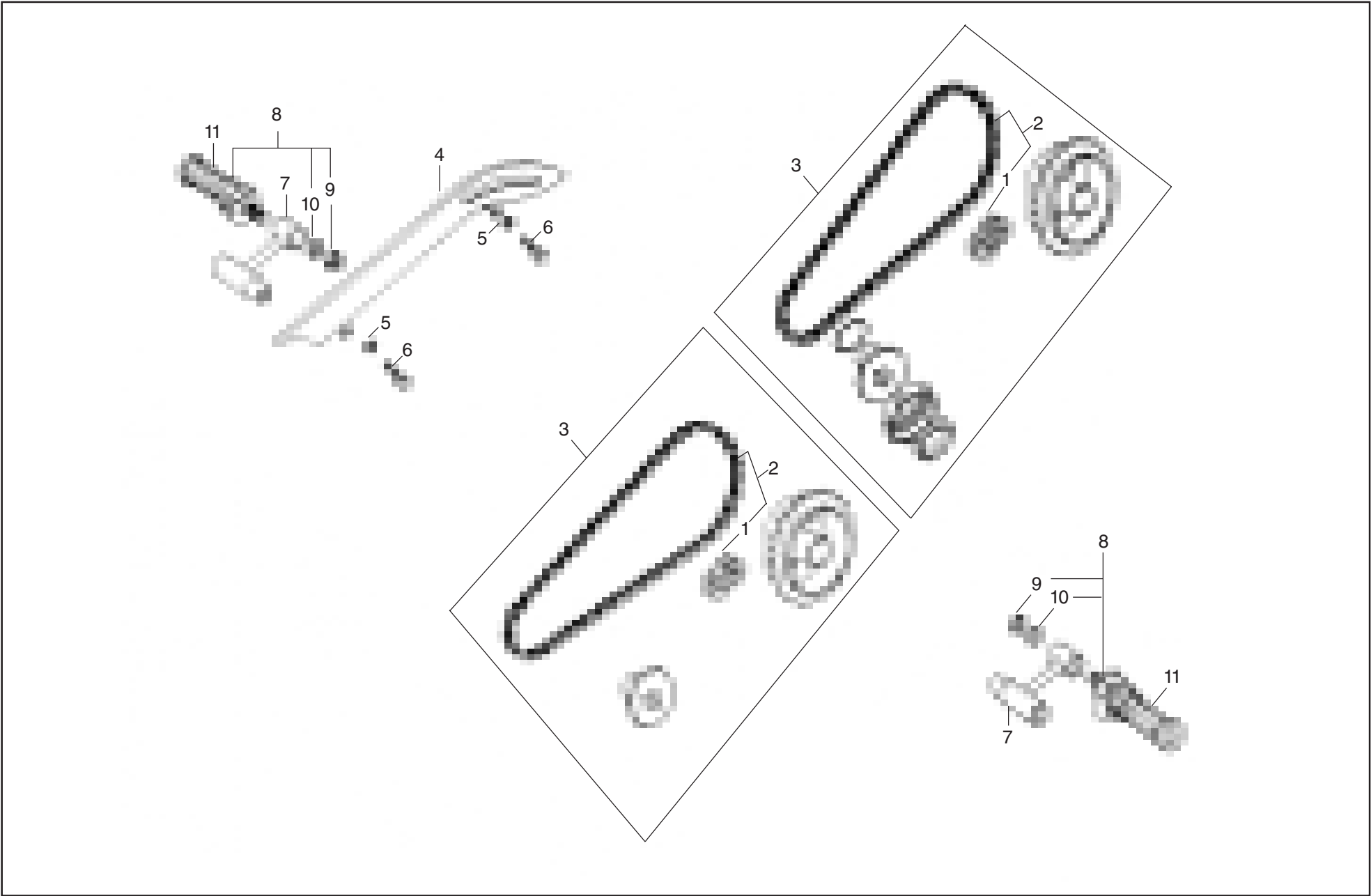
13-30 BRAKE PEDAL AND FOOT RESTS (FRONT)



13-30 BRAKE PEDAL AND FOOT RESTS (FRONT)

Key No.	Part Numbers		Description	Qty.	350								BU 500	Lightning			Bu Mach		T Bird		Remarks	MOQ	
	New	Old			Std	Dlx	Mac	Cam	Elec 4S		Elec 5S			500	535	535 ES	A350	A500	KS	ES			
22	140947		Sleeve, Footrest	2	●	●	●	●	●	●			●	●	●	●					Not Serviced	2	
	145156/B	145156/A	Sleeve, Footrest	2	●	●	●	●	●	●			●	●	●	●					LTD	1	
	146543/A		Sleeve, Footrest	2					●	●	●	●									Not Serviced	4	
	146641/A		Sleeve, Footrest	2	●	●	●	●	●	●	●	●	●	●	●	●	●	●	●	●		1	
23	142114		Nut	2	●	●	●	●	●				●	●	●	●					Not Serviced	50	
	145865/A		Flange nut	2	●	●	●	●	●	●	●	●	●	●	●	●	●	●	●	●		10	
24	143409		Washer	2	●	●	●	●	●				●	●	●	●					Not Serviced	100	
25	801036		Footrest arm - Front LH	1	●	●	●	●	●	●	●	●	●	●	●	●	●	●				1	
	521056/A	521056	Footrest arm - Front LH	1					●	●	●	●							●	●	LTD	1	
	145917/A		Footrest arm - Front LH	1													●	●			Not Serviced	1	
26	145417/A	110210	Footrest bar	1	●	●	●	●	●	●			●	●	●	●					LTD	4	
	146058/A		Footrest bar	1					●	●	●	●					●	●	●	●		1	
27	801035		Footrest arm - Front RH	1	●	●	●	●	●	●	●	●	●	●	●	●	●	●	●	●		1	
	145916/D		Footrest arm - Front RH	1													●	●				1	
28	801032		Distance tube RH	1	●	●	●	●	●	●			●	●	●	●	●	●	●	●		14	
29	801034		Distance tube centre	1	●	●	●	●	●	●			●	●	●	●	●	●	●	●		1	
30	145484/A		Boss, Front Side stand	1	●	●	●	●	●	●			●	●	●	●				●	●	5	
	801437		Boss, Front Side stand	1													●	●			Not Serviced	1	
31	145485/A		Boss, Side stand	1	●	●	●	●	●	●			●	●	●	●				●	●	Not Serviced	1
32	801296		Bracket, Brake light switch	1															●			1	
	521114/B		Bracket, Brake light switch	1															●	●	LTD	10	
33	521078/A		Brake light switch with lead	1															●	●		1	
	540075/A		Brake light switch	1					●	●	●	●										1	
34	801297		Bracket, Brake light switch	1															●		Not Serviced	1	
	521115/B		Bracket, Brake light switch	1															●	●		5	

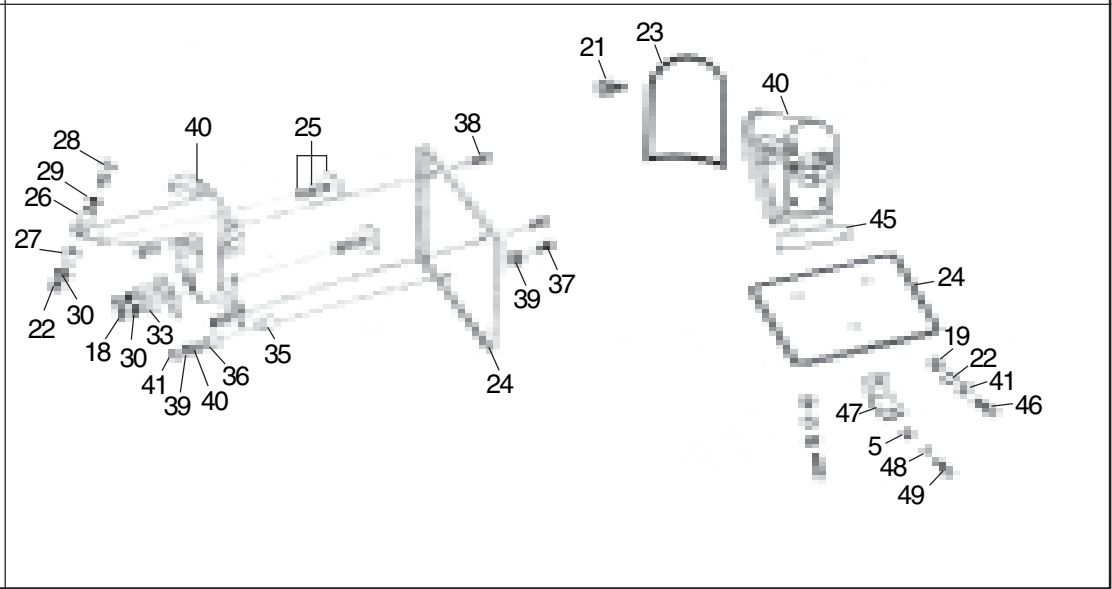
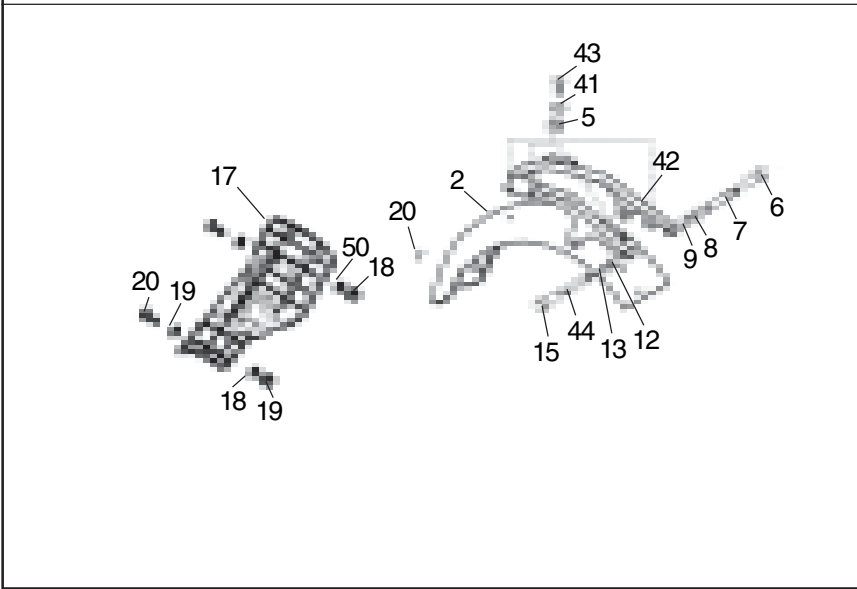
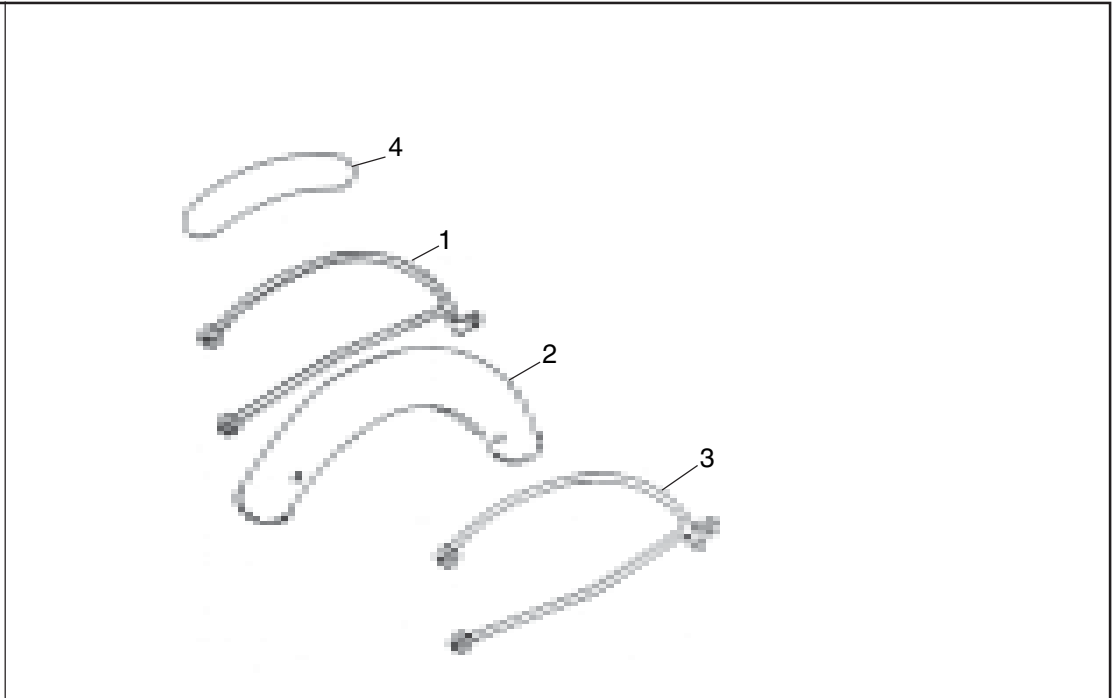
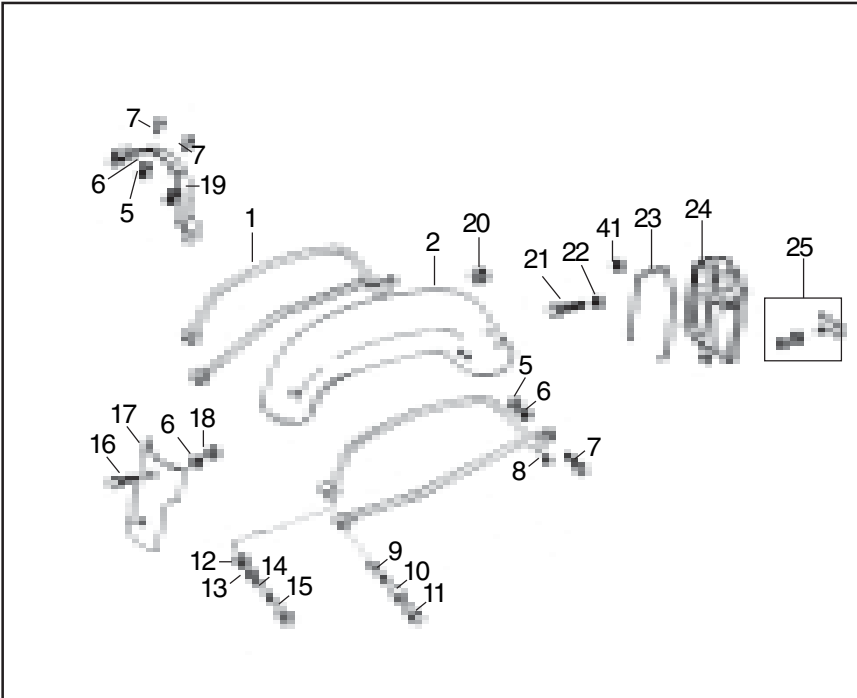
13-40 REAR CHAIN AND FOOTRESTS (REAR)



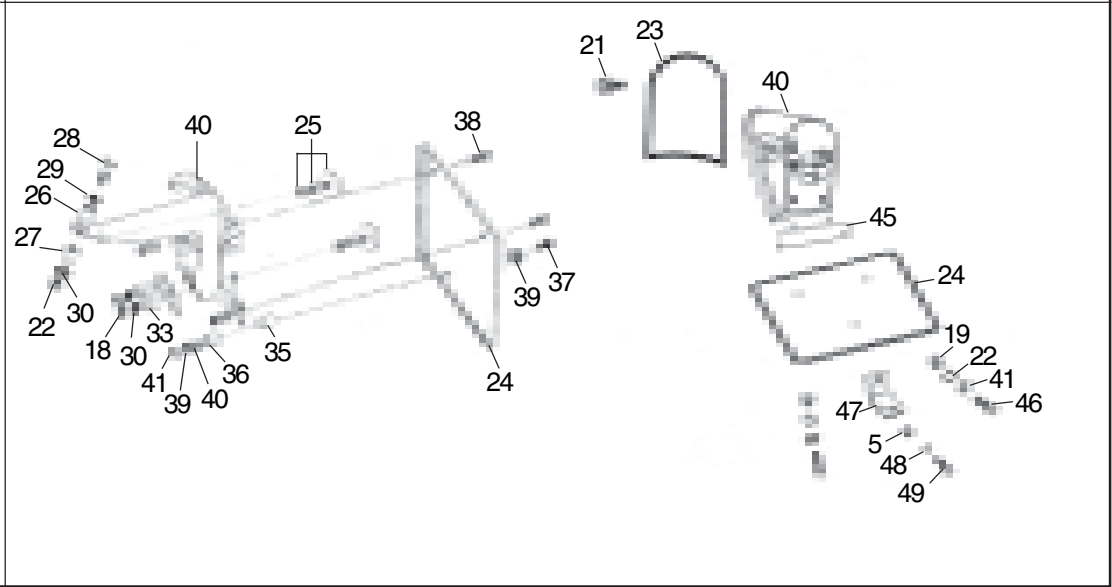
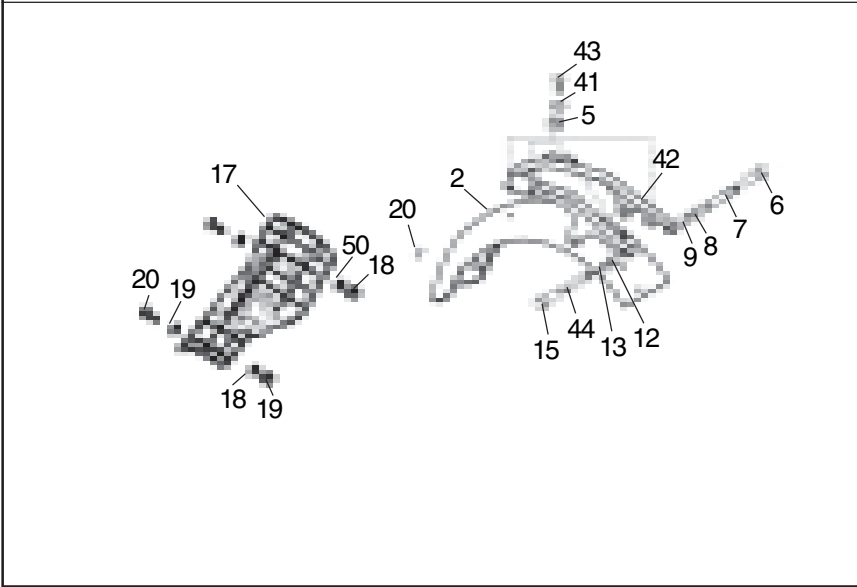
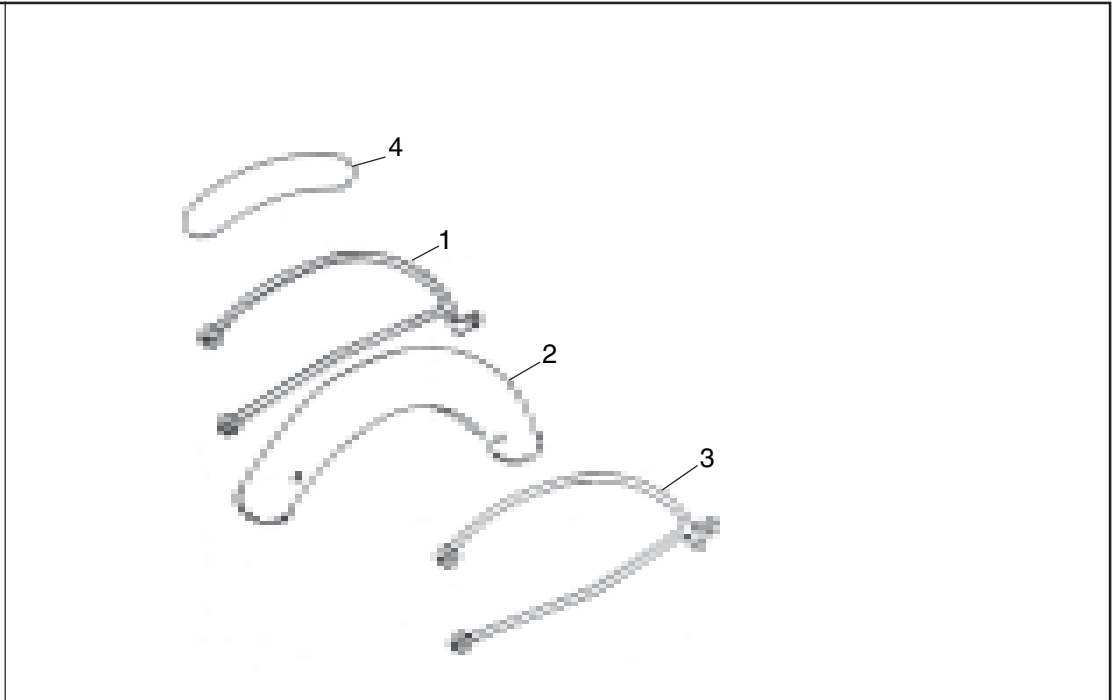
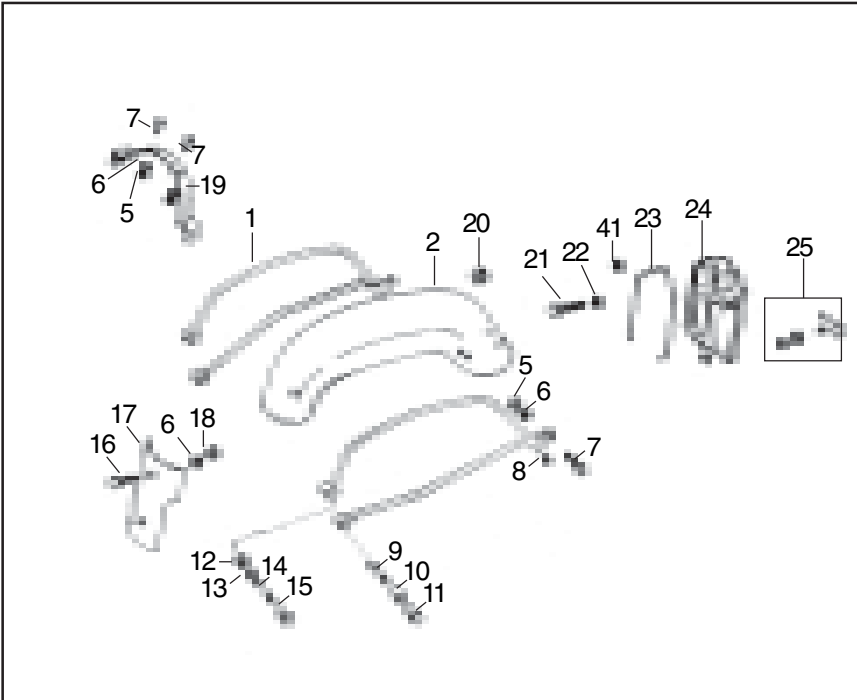
13-40 REAR CHAIN AND FOOTRESTS (REAR)

Key No.	Part Numbers		Description	Qty.	350								BU 500	Lightning			Bu Mach		T Bird		Remarks	MOQ
	New	Old			Std	Dlx	Mac	Cam	Elec 4S		Elec 5S			500	535	535 ES	A350	A500	KS	ES		
1	110333		Connecting link	1	●	●										●	●				6	
	145854		Connecting link ("O" Ring chain)	1	●	●	●	●	●	●	●							●	●			1
2	112011		Drive chain	1	●	●	●	●													Before May 2002	1
	145556/A		Drive chain ("O" Ring chain)	1	●	●	●	●	●	●	●					●		●	●		After May 2002	1
	112212		Drive chain	1								●	●	●		●						1
3	112146		Chain and sprocket kit (16T)	1	●	●	●	●	●	●	●											1
	597237		Chain and sprocket kit ("O" Ring F.D Sprocket) (16T)	1	●	●	●	●	●	●	●											1
	597275		Chain and sprocket kit ("O" Ring Chain) (16T)	1	●	●	●	●	●	●	●											1
	597162		Chain and sprocket kit (17T)	1								●	●									1
	597156		Chain and sprocket kit (18T)	1									●	●								1
4	801029	111713	Chain guard (Black)	1	●	●	●	●	●	●	●	●						●	●			1
	111712		Chain guard (Plated)	1									●	●	●	●	●					1
5	140147		Lock washer	2	●	●	●	●	●	●	●	●	●	●								40
6	111715		Bolt	2	●	●	●	●				●	●	●								50
	145872/B		Bolt	2					●	●	●	●			●	●	●	●				10
7	521279/A		Pillion foot rest.	2					●	●	●	●			●	●	●	●				1
	801062		Foot rest support	2			●	●				●	●	●								1
8	142502		Foot rest assy.	2			●	●	●	●	●	●	●	●			●		LTD		1	
	145160/A		Foot rest assy.	2	●	●	●	●	●			●	●	●			●		For 350 After Sept 2002		1	
	146542/A		Pillion foot rest assembly	2													●	●			1	
	147135/A		Foot rest assy.	2	●	●	●	●	●	●	●	●	●	●	●	●	●	●				1
9	142114		Nut	2	●	●	●	●				●	●	●			●		For 350 After Sept 2002		50	
	145865/A		Nut, Flanged (M10 x 1.5)	2					●	●	●	●			●	●					10	
10	143407		Washer	2	●	●	●	●				●	●	●	●	●	●	●		For 350 After Sept 2002	50	
11	145159/C	145159/A	Sleeve, Pillion foot rest	2	●	●	●	●				●	●	●						For 350 After Sept 2002	1	
	146641/A		Sleeve, Pillion foot rest	2					●	●	●	●					●	●			1	
	146543/A		Sleeve, Pillion foot rest	2	●	●	●	●	●	●	●	●	●	●	●	●	●	●	●	LTD		4

13-50 REAR MUDGUARD



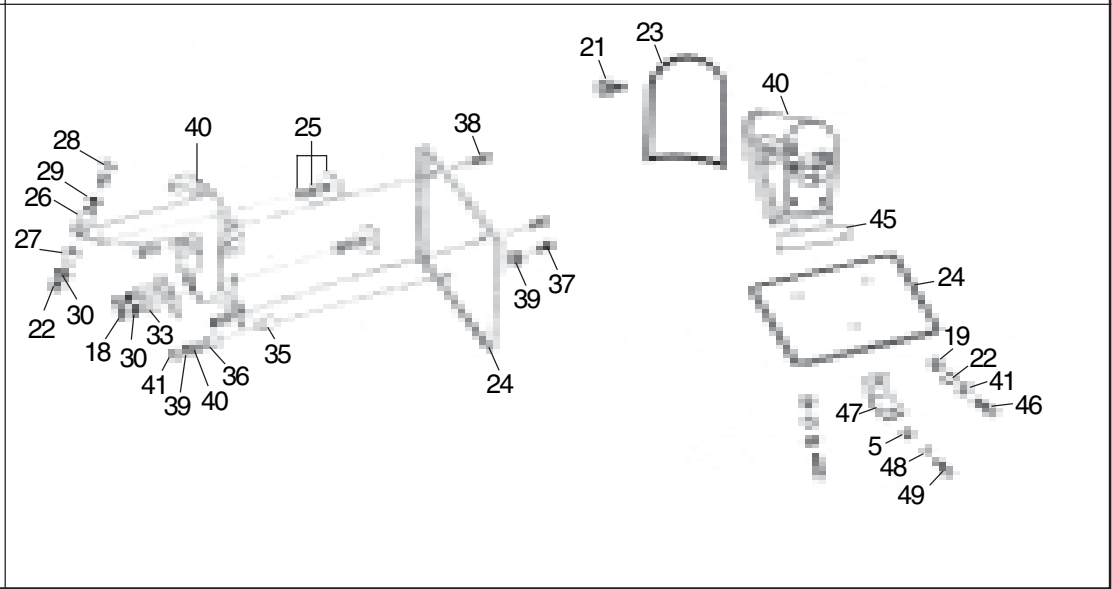
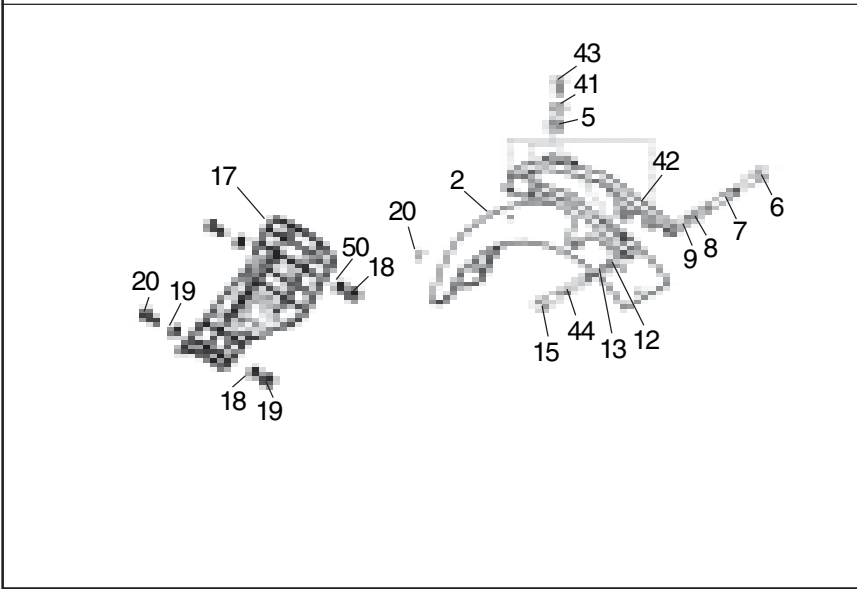
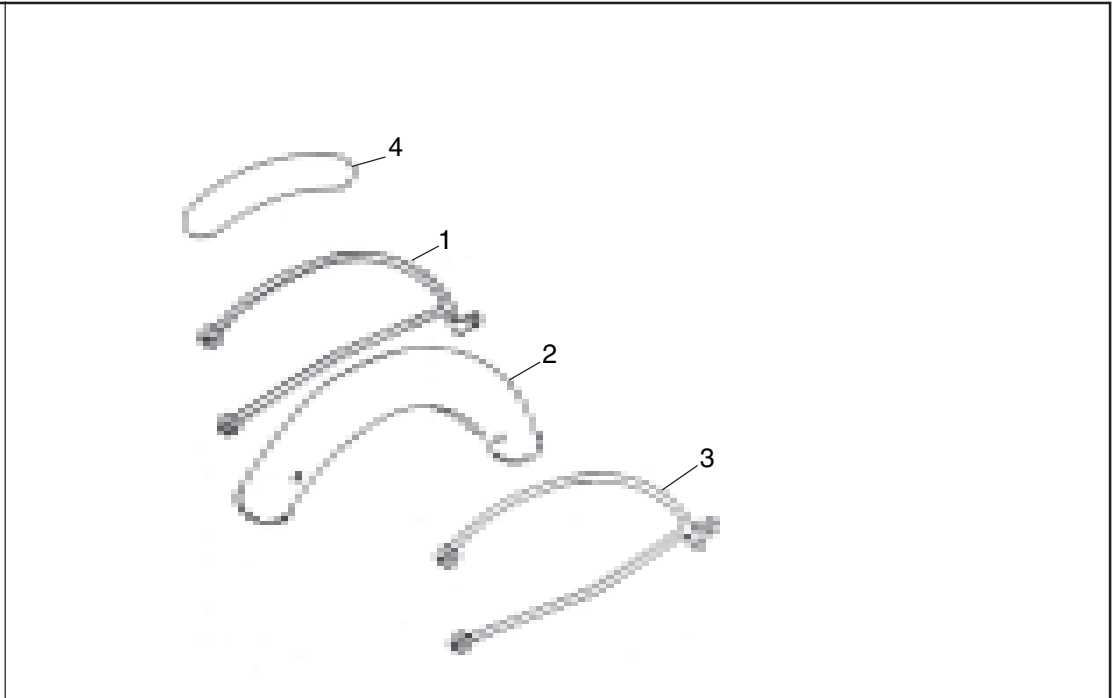
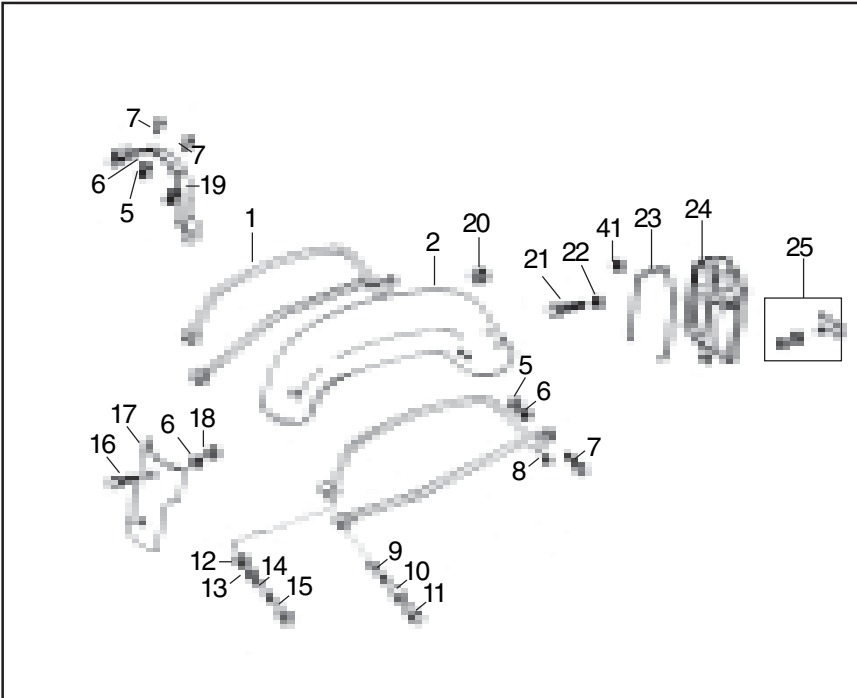
13-50 REAR MUDGUARD



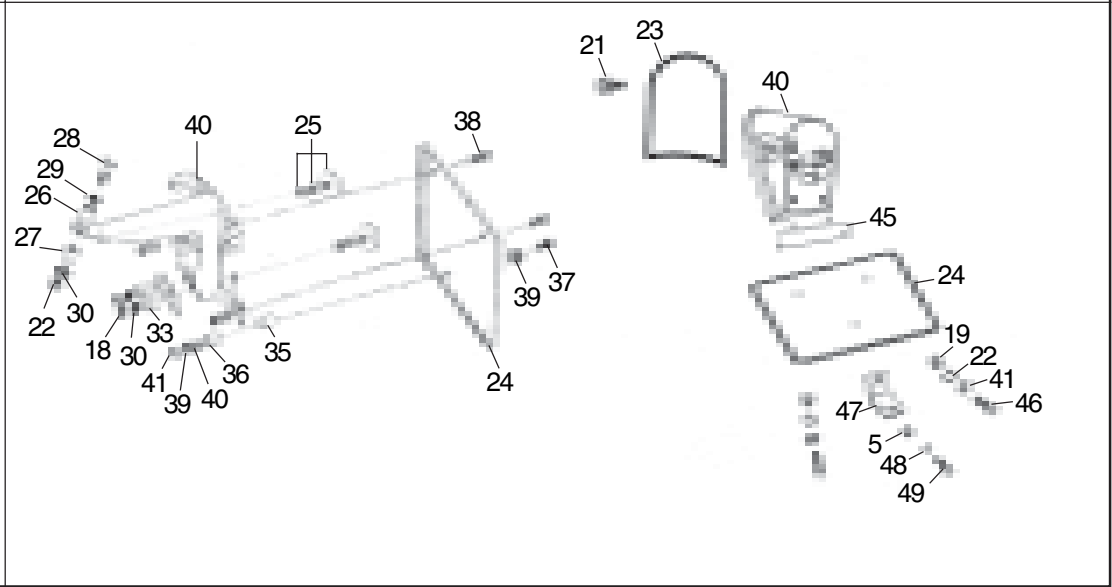
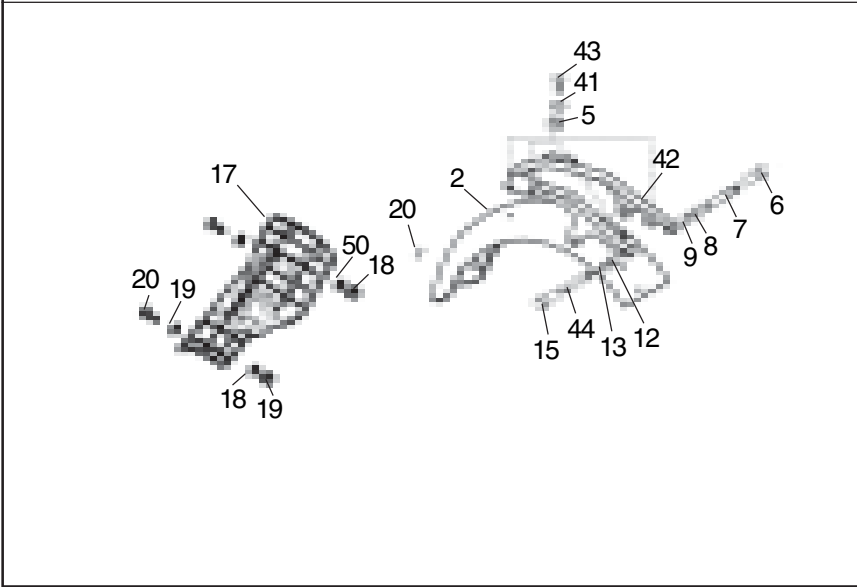
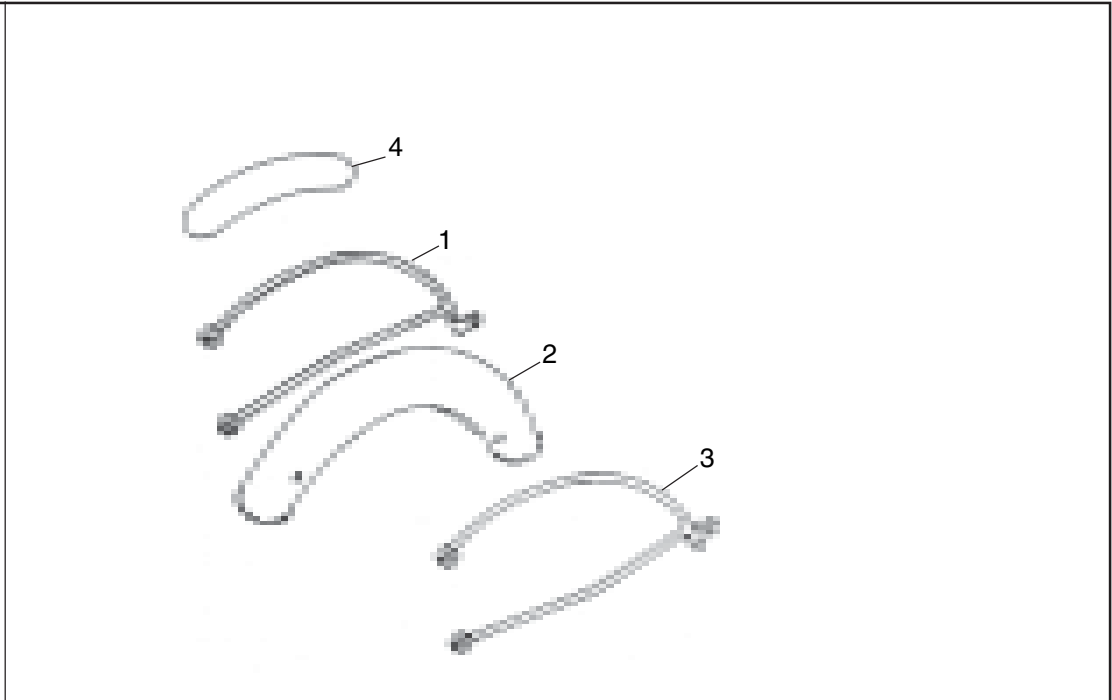
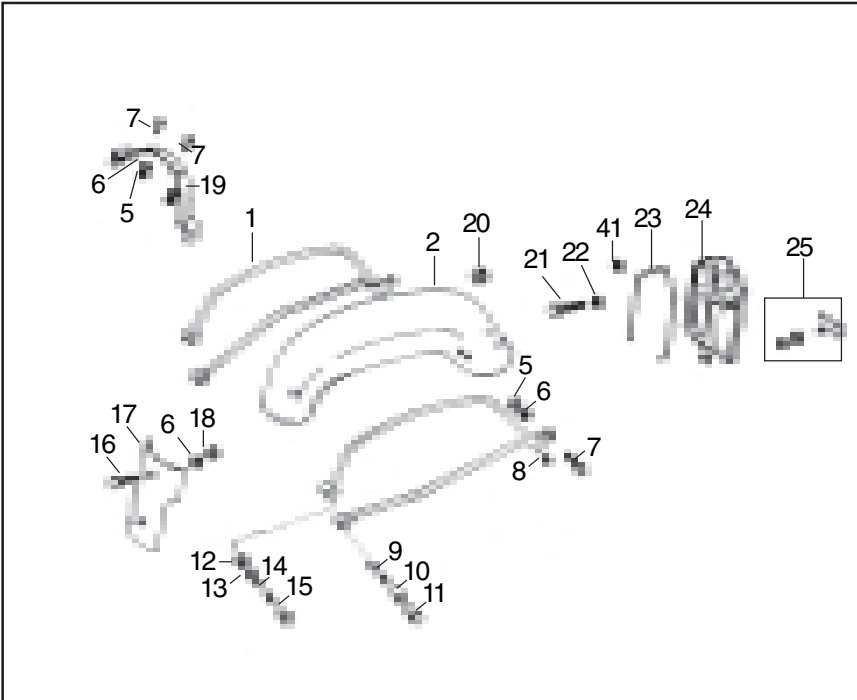
13-50 REAR MUDGUARD

Key No.	Part Numbers		Description	Qty.	350								BU 500	Lightning			Bu Mach		T Bird		Remarks	MOQ
	New	Old			Std	Dlx	Mac	Cam	Elec 4S		Elec 5S			500	535	535 ES	A350	A500	KS	ES		
4	143257		Sticker	1															LTD	10		
	170480		Sticker, Black/Red & Cognac/S.Wood	1									●	●	●					1		
	170481		Sticker, Purple/Grey	1									●	●	●				Not Serviced	1		
	170482		Sticker, Burgundy/S.wood	1									●	●	●					1		
	170496		Sticker, Grey/Black	1									●	●	●					1		
5	141306/2		Hex nut with nylock insert	5	●	●	●	●	●	●	●	●	●	●	●	●	●			40		
6	140129		Lock washer	6	●	●	●	●	●	●	●	●	●	●	●	●	●			50		
7	145882/A		Pan head screw M6 x 14	4	●	●	●	●	●	●	●	●	●	●	●	●	●			20		
8	110163/B		Plug	2	●	●	●	●	●	●	●	●	●	●	●				Alternate No. 592030/A	30		
9	110694/5		Stud	2	●	●	●	●	●	●	●	●	●	●	●				Alternate No. 145543/A	1		
10	110695		Distance piece	2	●	●	●	●				●	●	●	●				Alternate No. 140402/C	1		
11	110353/4		Nut	2	●	●	●	●	●	●	●	●	●	●	●	●	●			10		
12	140302/3		Nut	2	●	●	●	●	●	●	●	●	●	●	●	●	●	●		20		
13	140293/1		Washer	2	●	●	●	●	●	●	●	●	●	●	●	●	●	●		50		
14	110351/5		Stud	2	●	●	●	●	●	●	●	●	●	●	●	●	●			10		
	170249		Stud	2									●	●	●				LTD	10		
15	140402/C		Nut	2	●	●	●	●	●	●	●	●	●	●	●	●	●	●		14		
16	142274		Screw	2	●	●	●	●	●	●	●	●	●	●	●	●	●	●		40		
17	146797/A		Mudguard, Front extension	1	●	●	●	●	●	●	●	●	●	●	●	●	●		Alternate No. 591556	1		
	145901/B		Mudguard, Front extension	1					●	●	●	●							Not Serviced	1		
	521083		Piece mudguard	1														●	LTD	1		
18	141060		Hex Nut M6	2	●	●	●	●	●	●	●	●	●	●	●	●	●	●		40		
19	801050		Bridge plate	1	●	●														1		
	801065		Bridge plate	1			●	●	●	●	●	●	●	●	●	●	●		Alternate No. 142890	1		

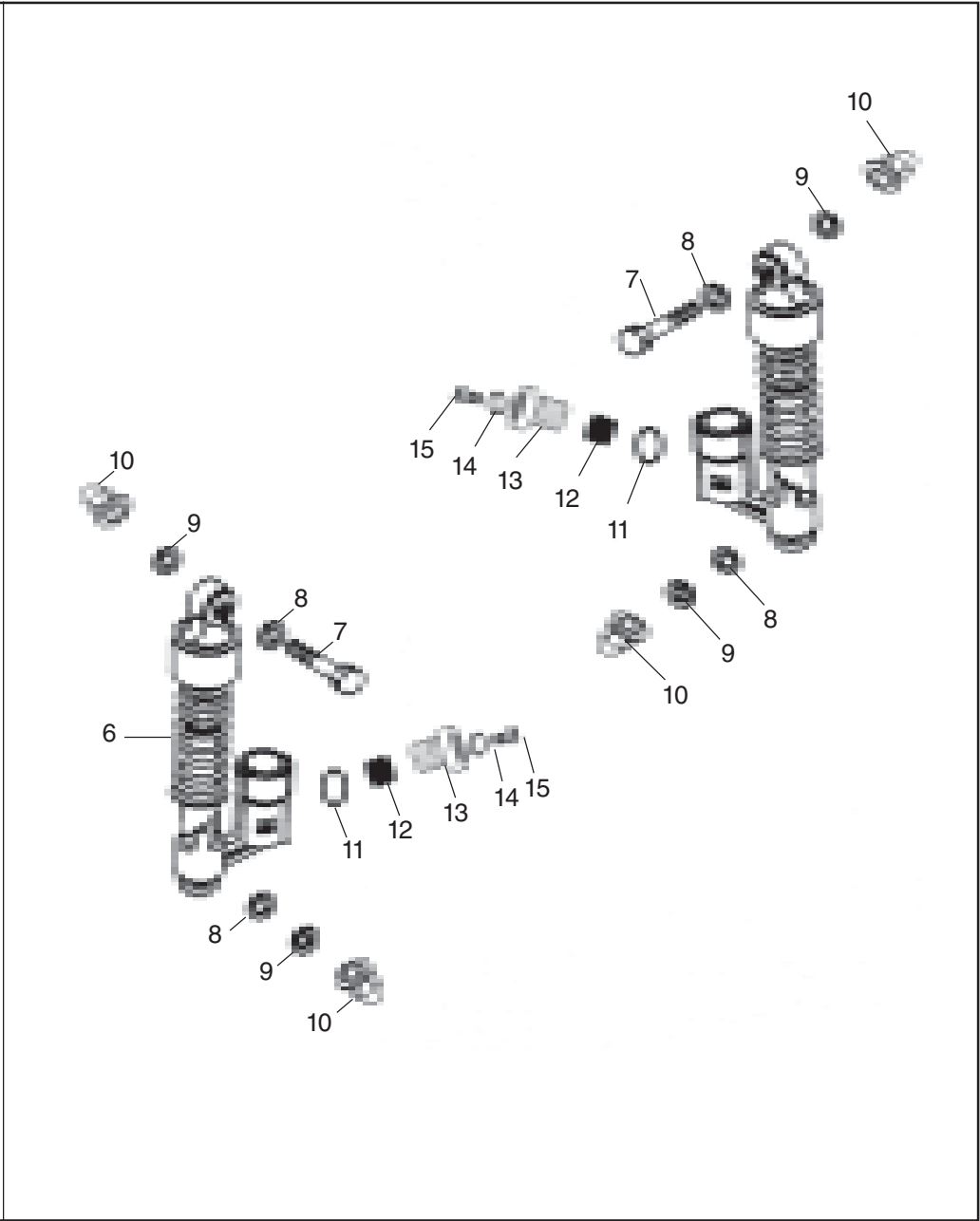
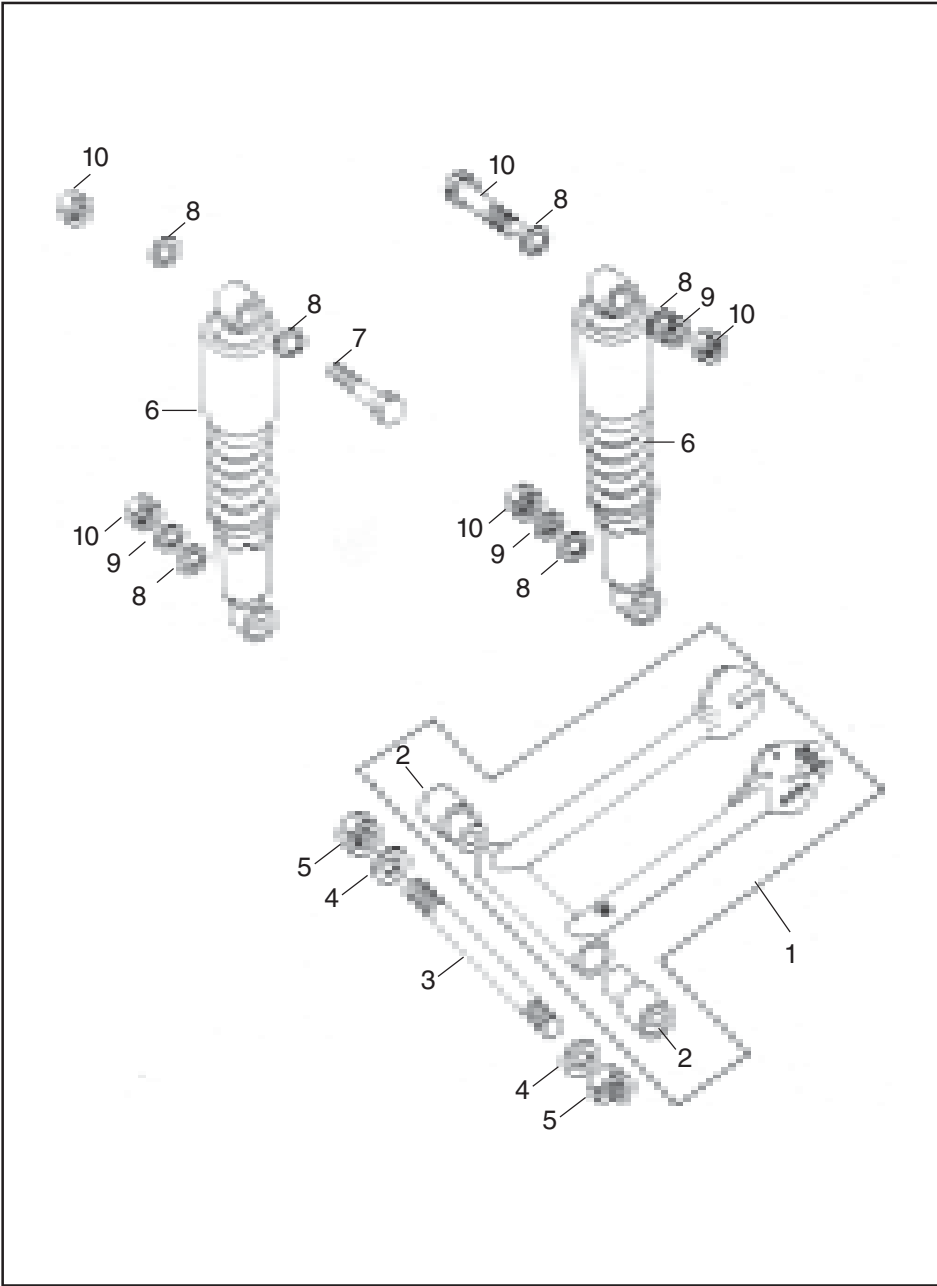
13-50 REAR MUDGUARD



13-50 REAR MUDGUARD

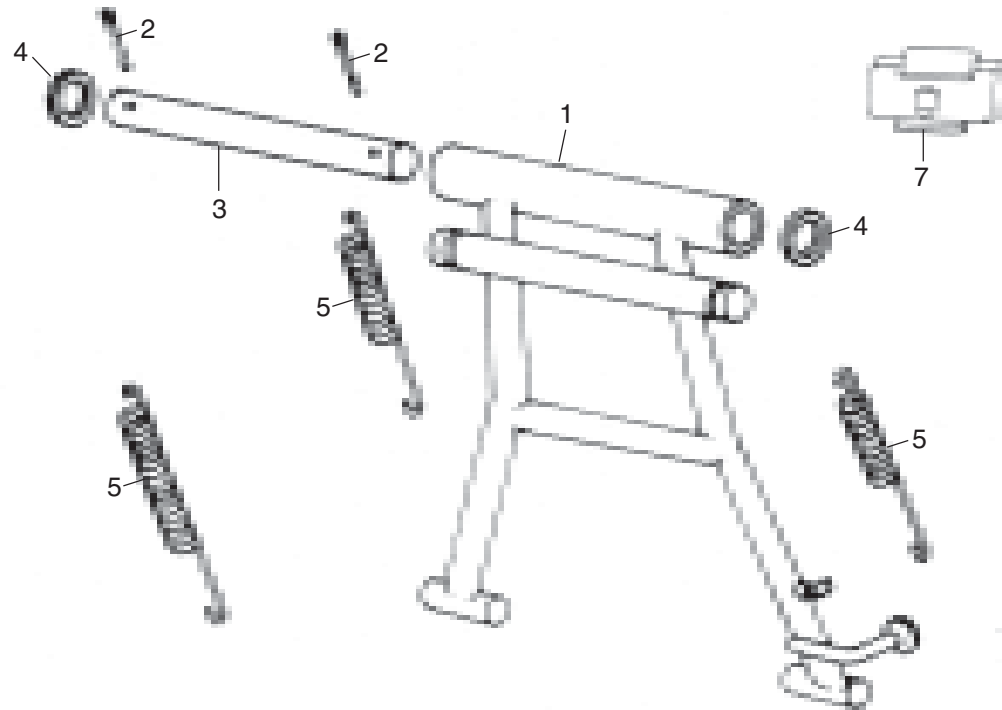
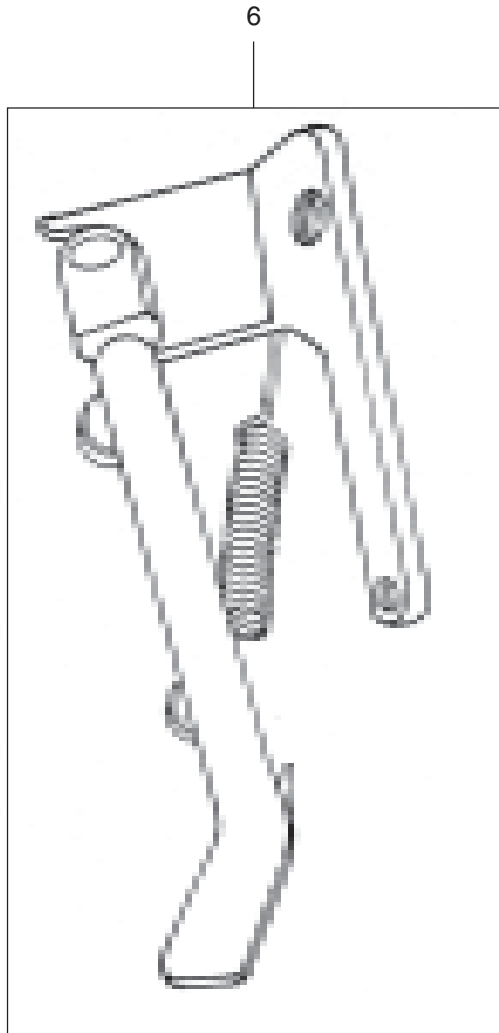


14-10 CHAIN STAY AND SHOCK ASSEMBLY

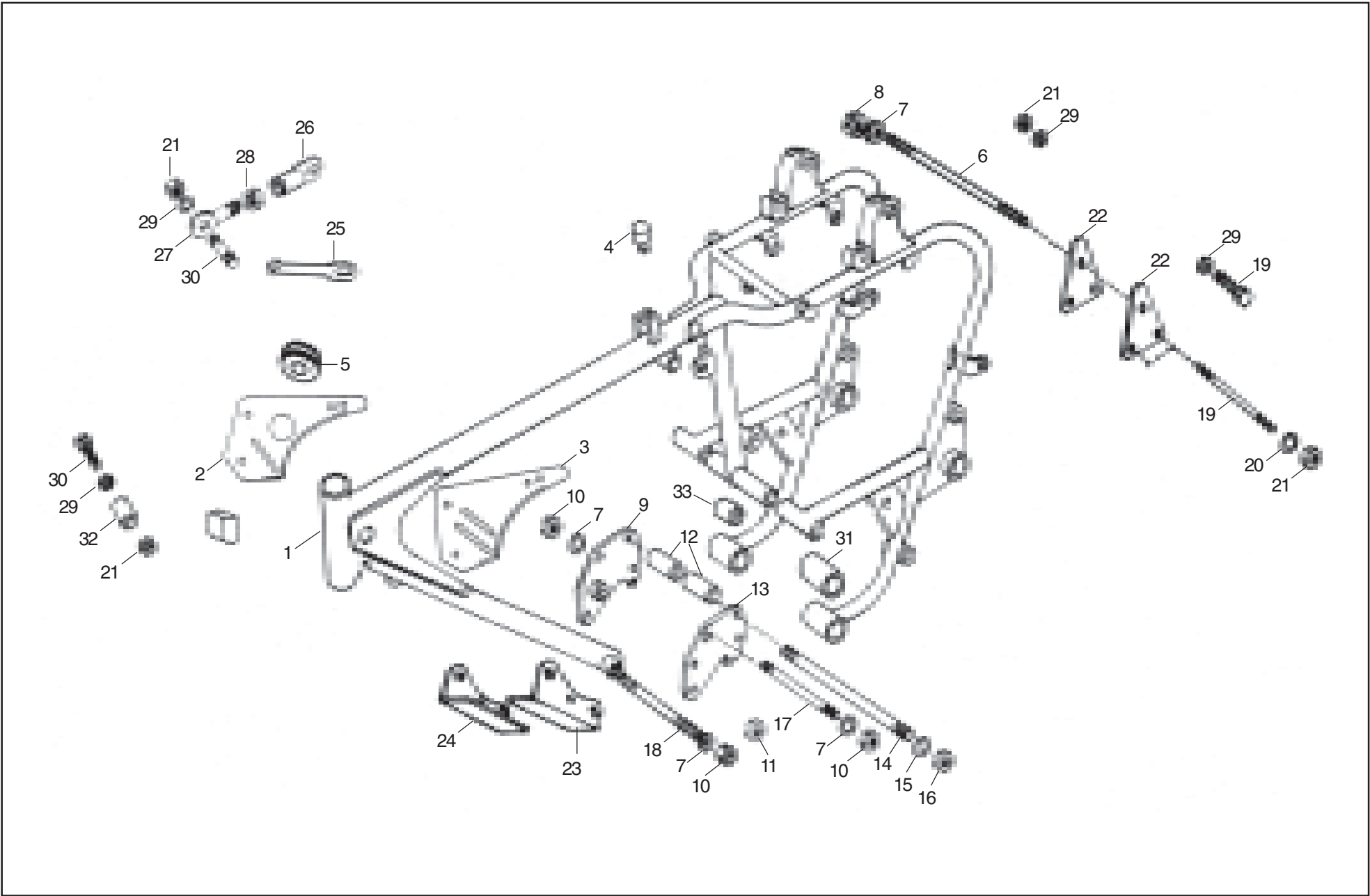


14-10 CHAIN STAY AND SHOCK ASSEMBLY

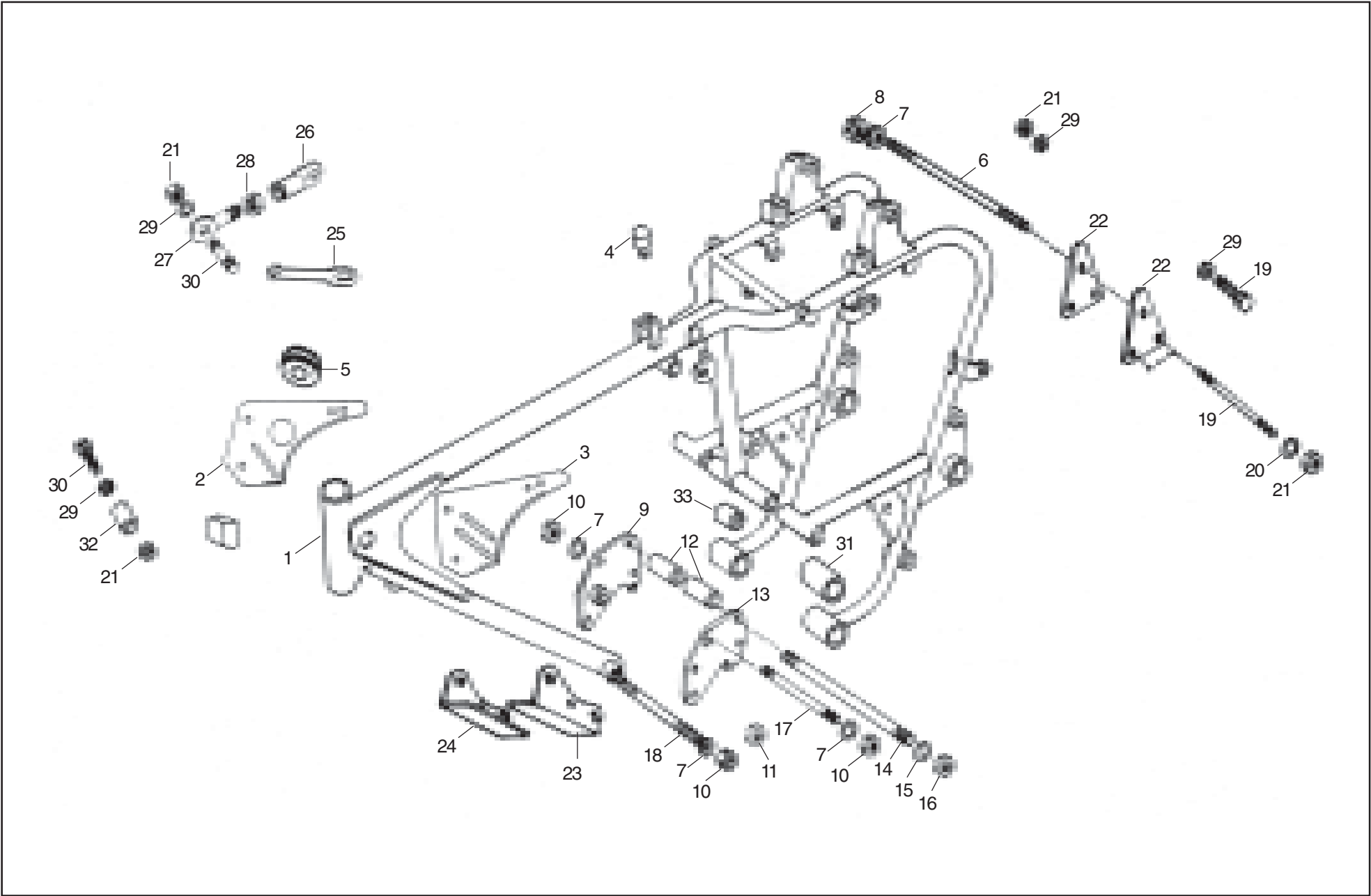
Key No.	Part Numbers		Description	Qty.	350								BU 500	Lightning			Bu Mach		T Bird		Remarks	MOQ
	New	Old			Std	Dlx	Mac	Cam	Elec 4S		Elec 5S			500	535	535 ES	A350	A500	KS	ES		
1	111721		Chain stay complete with bush	1	●	●	●	●	●	●	●	●	●	●	●	●	●	●	●		1	
	145135/B		Chain stay complete with bush	1												●	●			Not Serviced	1	
2	110643/7		Bush	2	●	●	●	●	●	●	●	●	●	●	●	●	●	●	●		2	
3	111201		Stud, Chain stay bearing	1	●	●	●	●	●				●	●	●	●		●		Not Serviced	2	
	145859/A		Flange bolt, Chain stay bearing	1	●	●	●	●	●	●	●	●	●	●	●	●	●	●	●		1	
4	140306		Lock Washer, Internal teeth	2	●	●	●	●					●	●	●					Before April 2003	50	
	145708/A		Washer, shake proof	1	●	●	●	●	●	●	●	●	●	●	●	●	●	●	●		14	
5	111810	110220	Nut	2	●	●	●	●					●	●	●					Not Serviced	1	
	142232		Nylock nut	1	●	●	●	●	●	●	●	●	●	●	●	●	●	●	●		10	
6	142800/B	142800/11	Shock absorber	2	●	●	●	●	●				●	●	●					Alternate No. 146347/B	1	
	170290		Shock absorber	2									●	●	●					Not Serviced	1	
	521061/B		Shock absorber	2														●	LTD	1		
	146064/A		Shock absorber (Gas Filled)	2					●	●	●	●				●	●	●	●		1	
7	111696/1		Hex Bolt 3/8" X 45 (RH Side Only)	2	●	●	●					●									1	
	170399/A		Hex Bolt 3/8" X 45 (LH Side Only)	2				●	●	●	●		●	●	●	●	●	●	●		5	
8	140304/1		Plain Washer	6	●	●	●	●	●	●	●	●	●	●	●	●	●	●	●		50	
9	140303		Lock Washer Internal teeth	4	●	●	●	●	●	●	●	●	●	●	●	●	●	●	●		1	
10	142181		Nyloc nut	4	●	●	●					●									20	
	170352/A		Dome nut	4				●	●	●	●		●	●	●	●	●	●	●		6	
11	146202		"O" Ring big	1					●	●	●	●				●	●	●	●	Not Serviced	1	
12	146201		Air hose valve	1					●	●	●	●				●	●	●	●	Not Serviced	20	
13	146203		Screw for air valve	1					●	●	●	●				●	●	●	●	Not Serviced	1	
14	146204		"O" Ring small	1					●	●	●	●				●	●	●	●	Not Serviced	1	
15	146205		Screw small	1					●	●	●	●				●	●	●	●	LTD	1	



15-10 FRAME ASSEMBLY



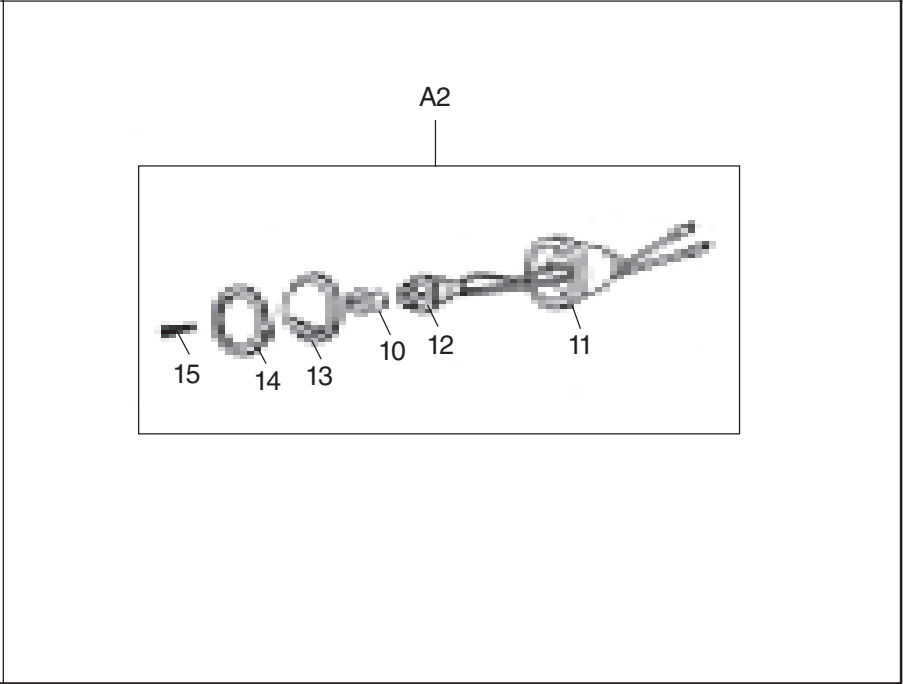
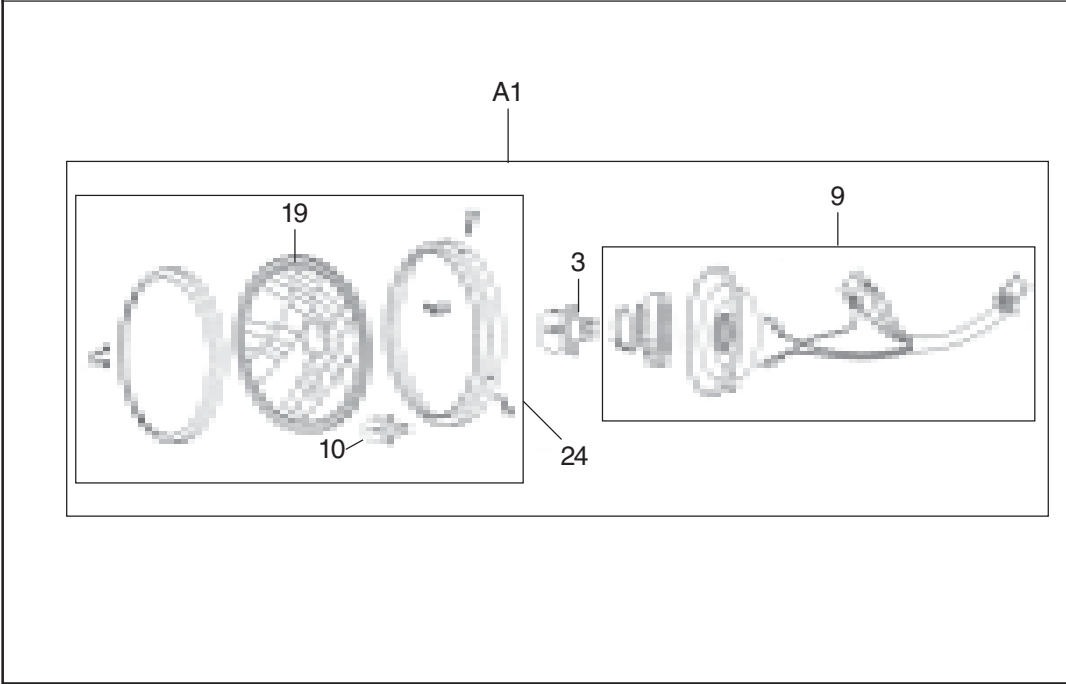
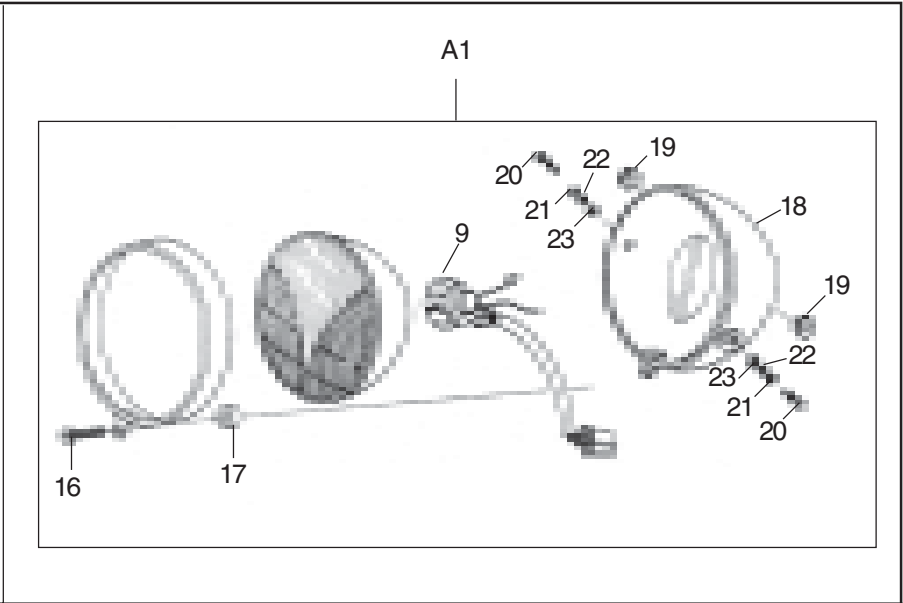
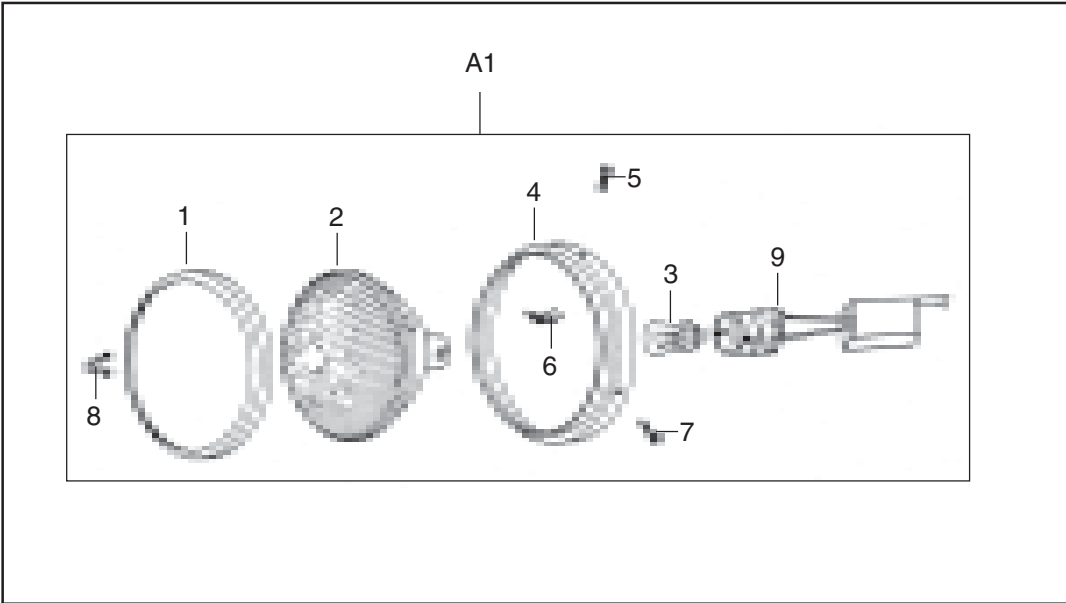
15-10 FRAME ASSEMBLY



15-10 FRAME ASSEMBLY

Key No.	Part Numbers		Description	Qty.	350								BU 500	Lightning			Bu Mach		T Bird		Remarks	MOQ
	New	Old			Std	Dlx	Mac	Cam	Elec 4S		Elec 5S			500	535	535 ES	A350	A500	KS	ES		
									KS	ES	KS	ES										
11	142232		Hex nylock nut	1					•	•	•	•										10
	142232		Nylock nut	2			•	•	•	•	•	•	•	•		•		•				10
12	801019		Spacer, Centre stand	2	•	•	•	•	•	•	•	•	•	•	•	•	•	•	•	•	Alternate No. 110200/B	1
13	144835/B	801022	Engine plate LH	1	•	•	•	•	•	•	•	•	•	•	•	•	•	•	•	•		1
14	110210		Engine plate stud	1	•	•	•	•	•				•	•	•	•	•				LTD	5
	145417/B		Engine plate stud	1	•	•	•	•	•				•	•	•	•	•				Not Serviced	5
	145884/A		Stud M10	1					•	•	•	•									Not Serviced	
	145855/B	145855/A	Stud	1	•	•	•	•	•	•	•	•	•	•	•	•	•	•	•	•		
15	140293/1		Washer	2	•	•	•	•	•				•	•	•	•	•					50
16	145871/A		Flanged hex serrated nut	2					•	•	•	•							•	•	Not Serviced	10
	140302		Hex nut	2	•	•	•	•	•	•	•	•	•	•	•	•	•	•	•	•		20
17	145857/A		Flanged hex bolt 1/2" x 130	1	•	•	•	•	•	•	•	•	•	•	•	•	•	•	•	•		1
	110215		Stud, Engine plate	1	•	•	•	•	•				•	•	•	•	•				LTD	5
18	110214		Stud, Front engine plate	1	•	•													•	•	LTD	10
	145856/A		Hex bolt.	1													•	•	•			2
	142240		Stud, Front engine plate	1			•	•					•	•	•	•					LTD	5
	560092/A		Hex bolt, Front engine plate	1											•						Not Serviced	
	145879/A		Flanged Hex bolt	1	•	•	•	•	•	•	•	•	•	•	•	•	•	•	•	•		1
19	141057		Stud, Gear box top	2	•	•	•	•					•	•	•	•	•				For T'Bird, Before Oct 2002	20
	145856/A		Flanged hex bolt(M8 x1.25x120)	2					•	•	•	•										2
	145878/A		Flanged hex bolt(M8 x1.25x120)	2												•	•	•	•			5
20	140147		Lock washer	4	•	•	•	•	•				•	•	•	•	•				For T'Bird, Before Oct 2002	40
21	141051		Nut	6	•	•	•	•					•	•	•	•	•				For T'Bird, Before Oct 2002	40
	142182		Nut, Nylock	3															•	•	Not Serviced	30
	145867/A		Flanged hex nut (M8 x 1.25)	2	•	•	•	•	•	•	•	•	•	•	•	•	•	•	•	•	Not Serviced	30
	142182		Nut, Nylock	1												•	•	•	•		Not Serviced	30

16-10 HEAD LAMP

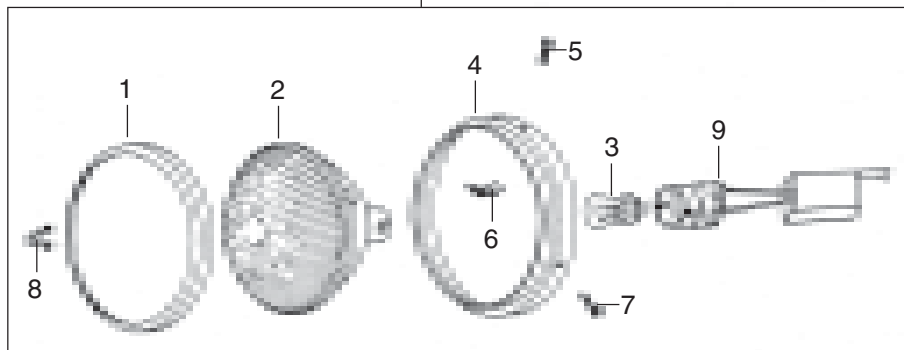


16-10 HEAD LAMP

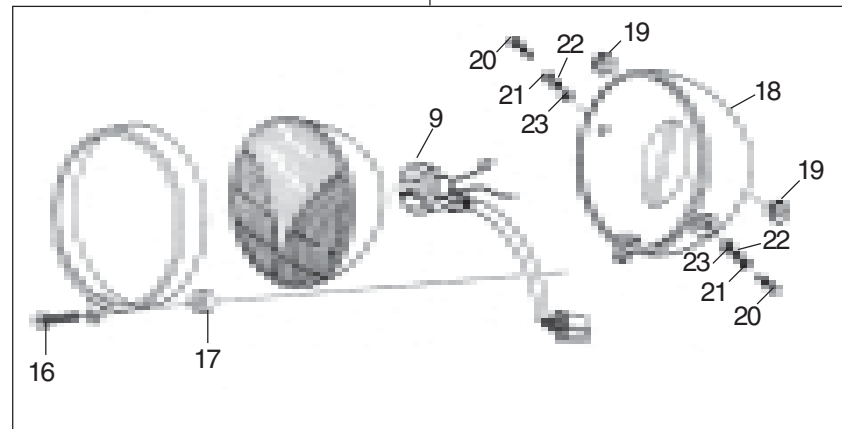
Key No.	Part Numbers		Description	Qty.	350										Lightning			Bu Mach		T Bird		Remarks	MOQ
	New	Old			Std	Dlx	Mac	Cam	Elec 4S		Elec 5S		BU 500	500	535	535 ES	A350	A500	KS	ES			
									KS	ES	KS	ES											
A1	144358/B		Head lamp assembly with bulb	1	●	●	●	●											LTD	1			
	146767/B	146767/A	Head lamp assembly with bulb	1					●	●	●	●				●	●		LTD	1			
	146779/b		Head lamp assembly with bulb	1								●	●	●				●	●				
	141886		Head lamp assembly without bulb	1	●	●	●	●				●								Not Serviced	1		
	170291		Head lamp assembly without bulb	1								●	●	●						LTD	1		
A2	140871		Pilot lamp assembly without bulb	2	●	●	●	●				●								Not Serviced	1		
	144378		Pilot lamp assembly without bulb	2					●	●	●	●								Not Serviced	1		
	144372/D	144372/B	Pilot lamp assembly with bulb	2	●	●	●	●	●	●	●	●			●	●					1		
1	141632		Front Rim, Head lamp	1	●	●	●	●	●	●	●				●	●				Not Serviced	1		
2	140270		Head Lamp unit without bulb	1	●	●	●	●				●									1		
	146833/A		Head lamp unit with bulb	1					●	●	●	●			●	●					1		
	145981/C		Head Lamp unit without bulb	1											●	●				LTD			
	146838/A		Head lamp unit with bulb	1													●	●		LTD			
3	142301		Bulb 12V - 50 / 40 W	1	●	●	●	●				●									1		
	146835/A	146835	Bulb 12V - 35/35w (head lamp)	1					●	●	●	●					●	●		Alternate No. 580580	1		
	142759	170403	Bulb 12V	1								●	●	●						LTD	1		
	147248		Bulb 12V - 45/40w (Halogen head lamp)	1											●	●				Alternate No. 580580			
4	141634		Rim Fixing (Head lamp fixing rim)	1	●	●	●	●	●	●	●	●			●	●					1		
5	141635		Screw	1	●	●	●	●	●	●	●	●									20		
6	141636		Plate	1	●	●	●	●	●	●	●	●									20		
7	140247/1		Screw, Rim fixing	2	●	●	●	●	●	●	●	●									1		
8	141649		Clip, Head lamp unit	6	●	●	●	●	●	●	●	●								Not Serviced	30		
9	141637		Bulb holder	1	●	●	●	●				●								Alternate No. 146386/A	1		
	146836/A		Bulb holder	1	●	●	●	●	●	●	●	●			●	●					1		
	170438		Bulb holder	1								●	●	●						Alternate No. 500584	1		
	144568		Addon lead (Bulb 12v ba9s)	1											●	●				Not Serviced			
	146837/A		Bulb holder	1													●	●		Alternate No. 580584			

16-10 HEAD LAMP

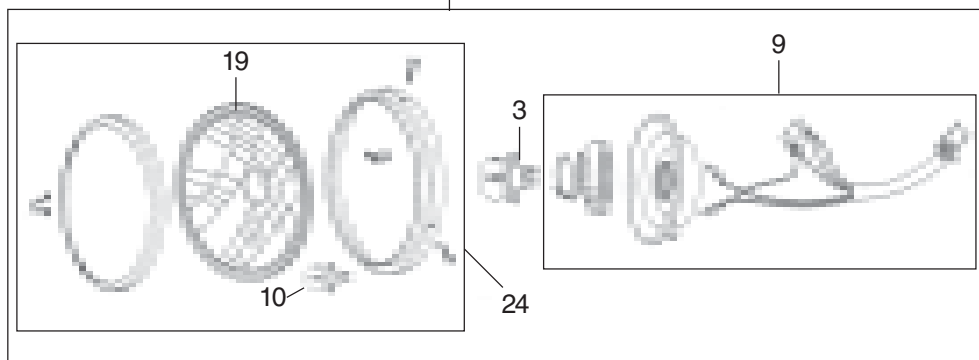
A1



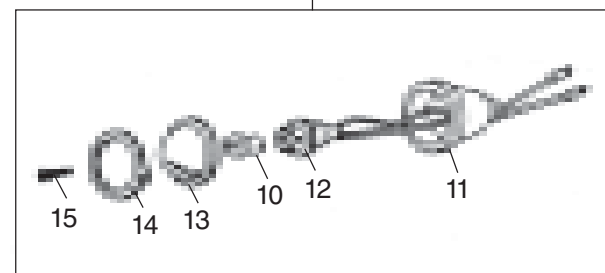
A1



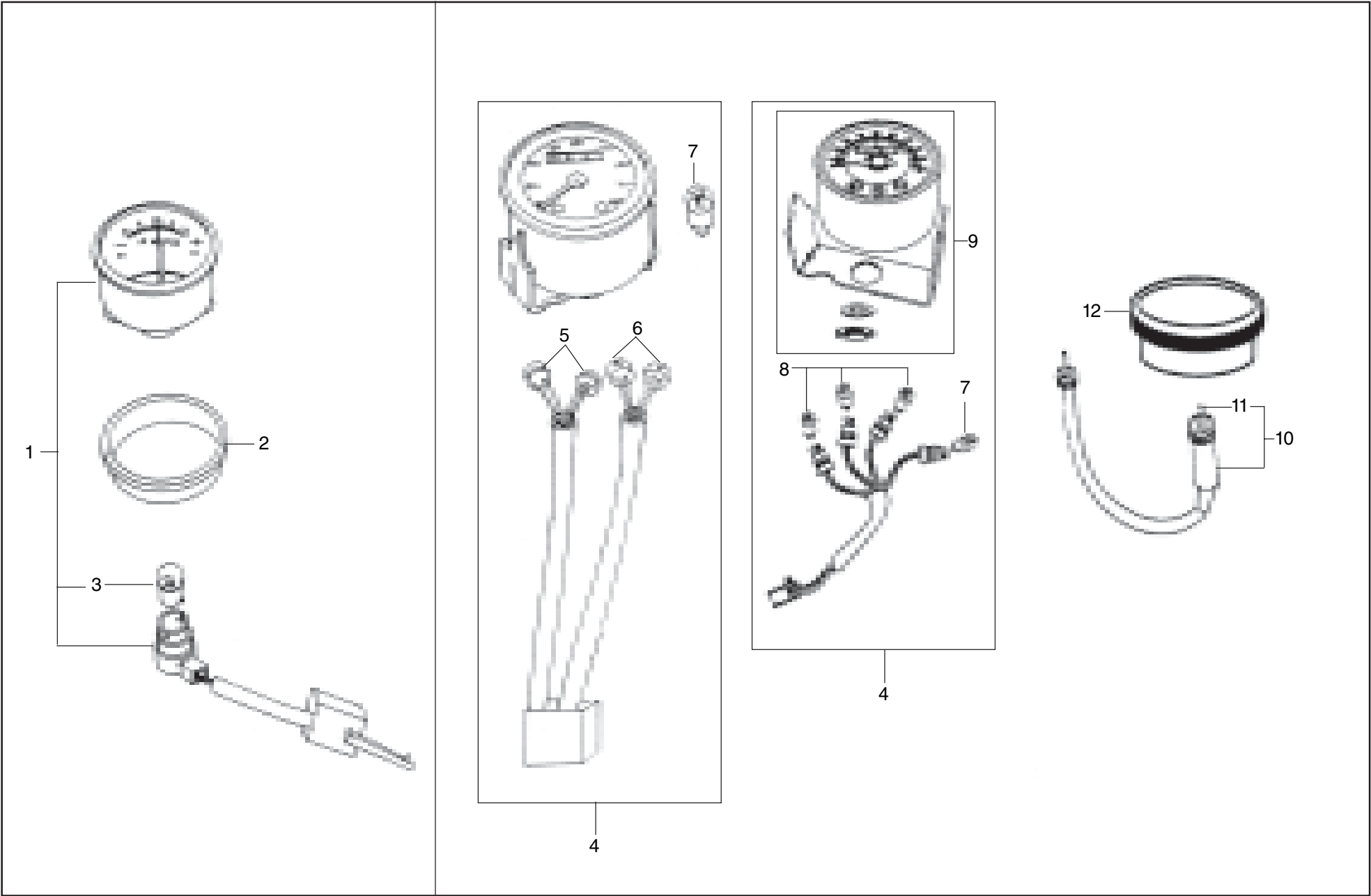
A1



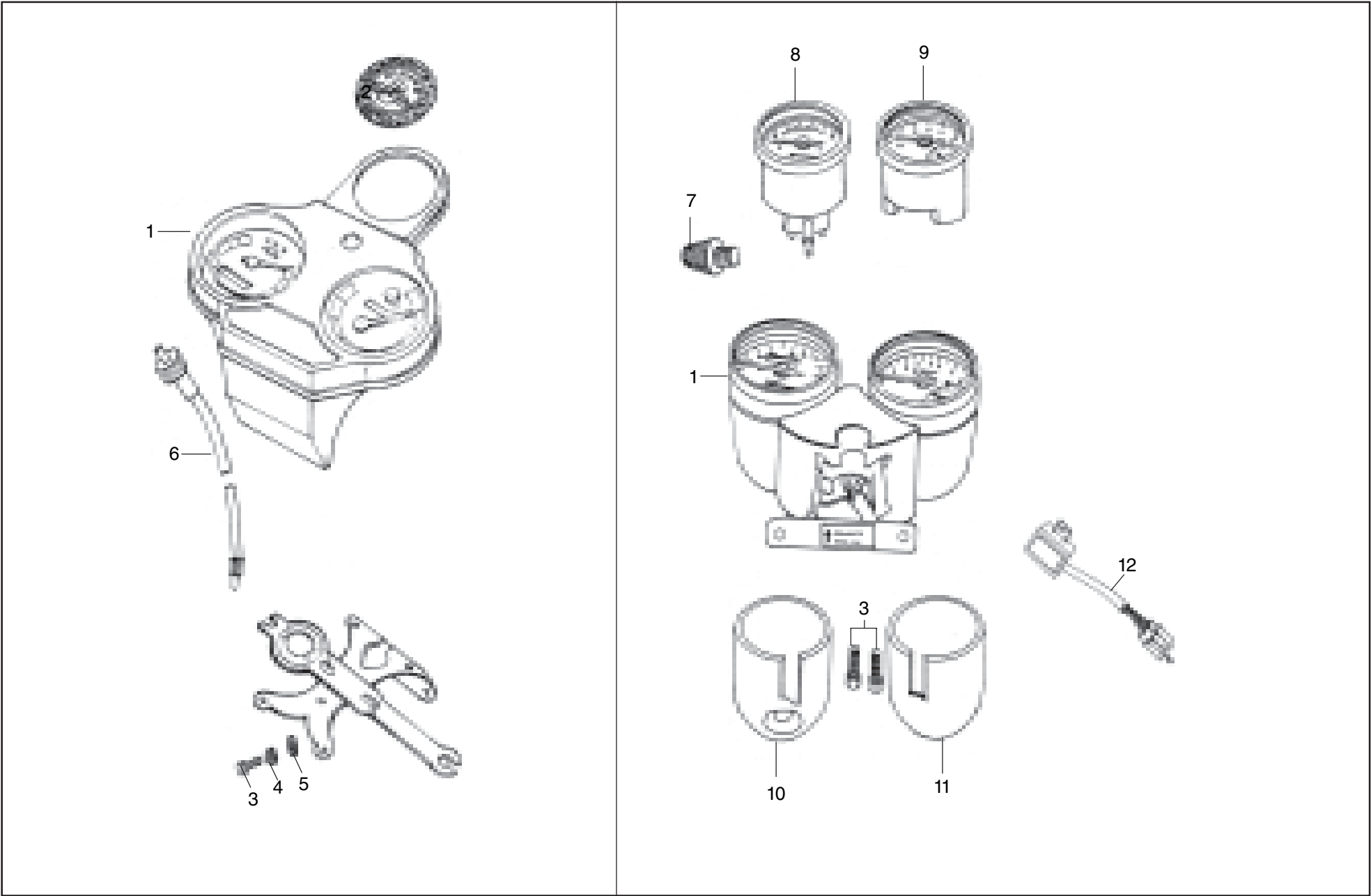
A2



16-20 AMMETER AND SPEEDOMETER



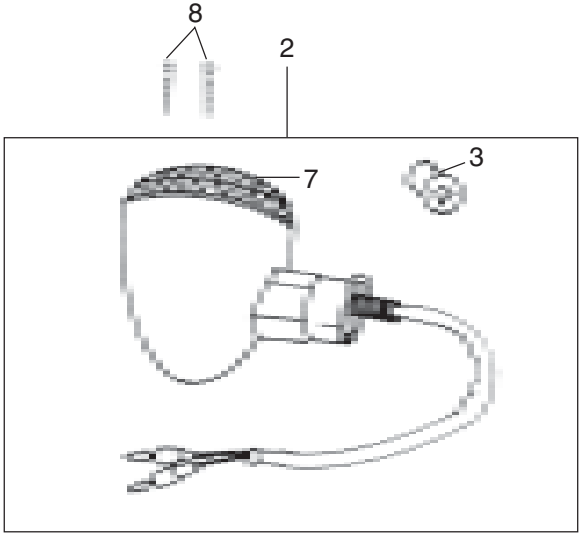
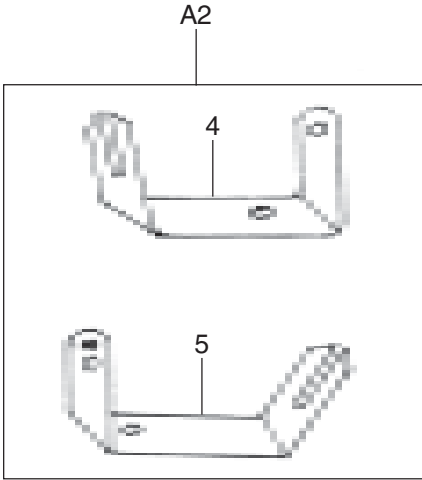
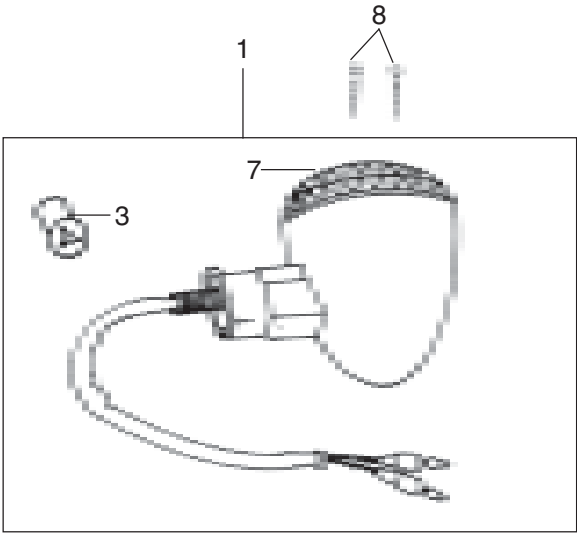
16-30 INSTRUMENT CLUSTER



16-40 TRAFFICATOR LIGHTS

A1

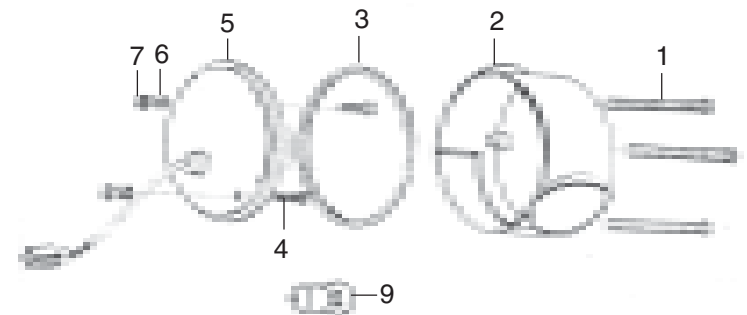
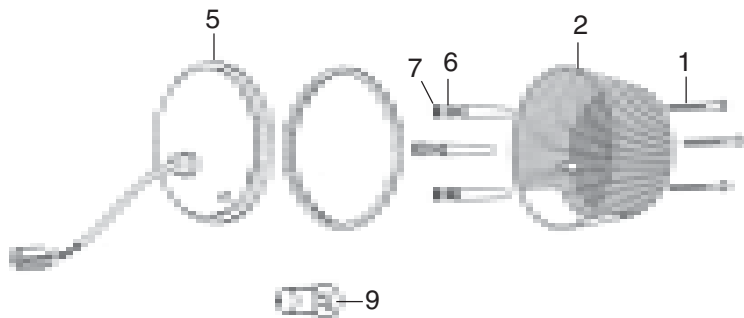
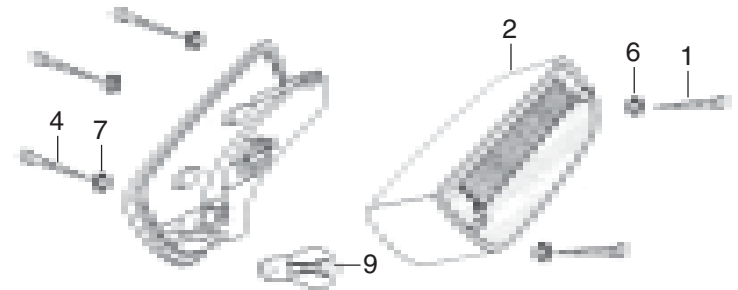
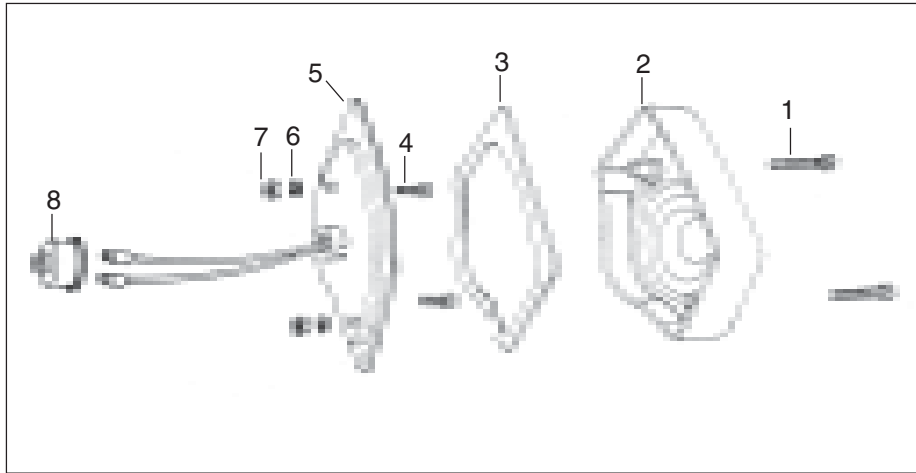
Key Nos.
1, 2



16-40 TRAFFICATOR LIGHTS

Key No.	Part Numbers		Description	Qty.	350								BU 500	Lightning			Bu Mach		T Bird		Remarks	MOQ	
	New	Old			Std	Dlx	Mac	Cam	Elec 4S		Elec 5S			500	535	535 ES	A350	A500	KS	ES			
A1	597076		Trafficator Kit	1	●	●	●	●					●									1	
	597349		Trafficator Kit	1					●	●	●	●											1
	597381		Trafficator Kit	1															●	●			1
A2	597118		Bracket set, Trafficator	1	●	●	●	●	●	●	●	●	●				●	●					1
1	144552/2		Trafficator assy, RH	2	●	●	●	●					●									LTD	1
	170187		Trafficator assy, RH	2										●	●	●							1
	146067/c		Trafficator assy RH Front	1	●	●	●	●	●	●							●	●					1
	146773/B		Trafficator assy RH Front	1							●	●		●	●	●				●	●		1
	146157/c		Trafficator assy RH Rear	1	●	●	●	●	●	●							●	●				LTD	1
	146775/B		Trafficator assy RH Rear	1							●	●		●	●	●				●	●		1
2	144553/2		Trafficator assy, LH	2	●	●	●	●					●									LTD	1
	170186		Trafficator assy, LH	2										●	●	●						LTD	1
	146066/C		Trafficator assy, LH Front	1	●	●	●	●	●	●							●	●					1
	146772/B		Trafficator assy, LH Front	1							●	●		●	●	●				●	●		1
	146156/c		Trafficator assy, LH Rear	1	●	●	●	●	●	●							●	●					1
	146774/B		Trafficator assy, LH Rear	1							●	●		●	●	●				●	●		1
3	142721		Bulb 12V 10W	4	●	●	●	●					●	●	●	●							5
	146348		Bulb 12V 10W	4					●	●	●	●					●	●					1
	521219		Bulb 12V 10W	4															●	●			1
4	145373/A	143981	Bracket LH, Front	1	●	●	●	●					●										10
	540097/B		Bracket LH, Front	1					●	●	●	●					●	●					1
5	145374/A	143982	Bracket RH, Front	1	●	●	●	●					●										1
	540098/B		Bracket RH, Front	1					●	●	●	●					●	●					1
6	142182		Nut, Nylock	2	●	●	●	●	●	●	●	●	●	●	●	●	●	●	●	●	●		30
7	146917		Lens (Clear)	4					●	●	●	●								●	●		1
8	146918		Ph. Pan head screw	8					●	●	●	●								●	●		1

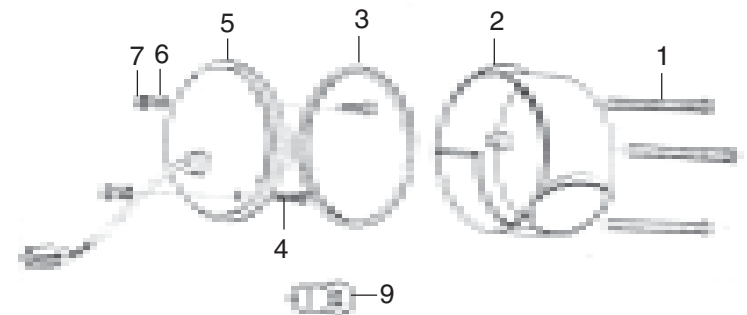
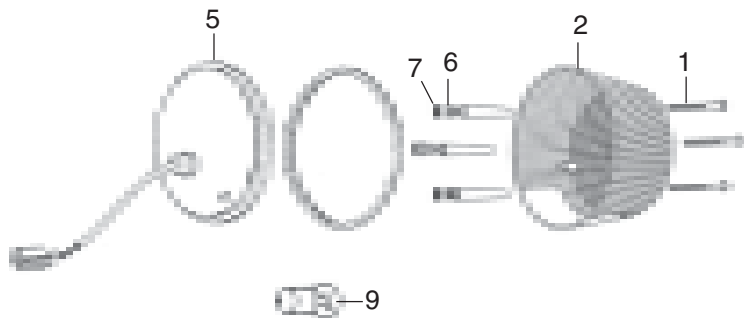
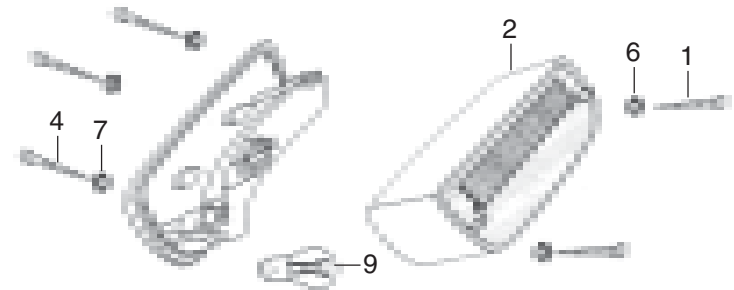
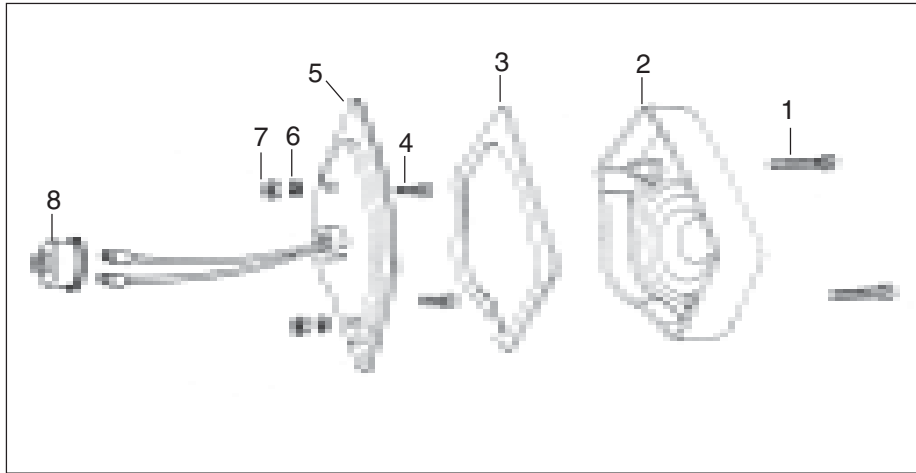
16-50 TAIL LAMP



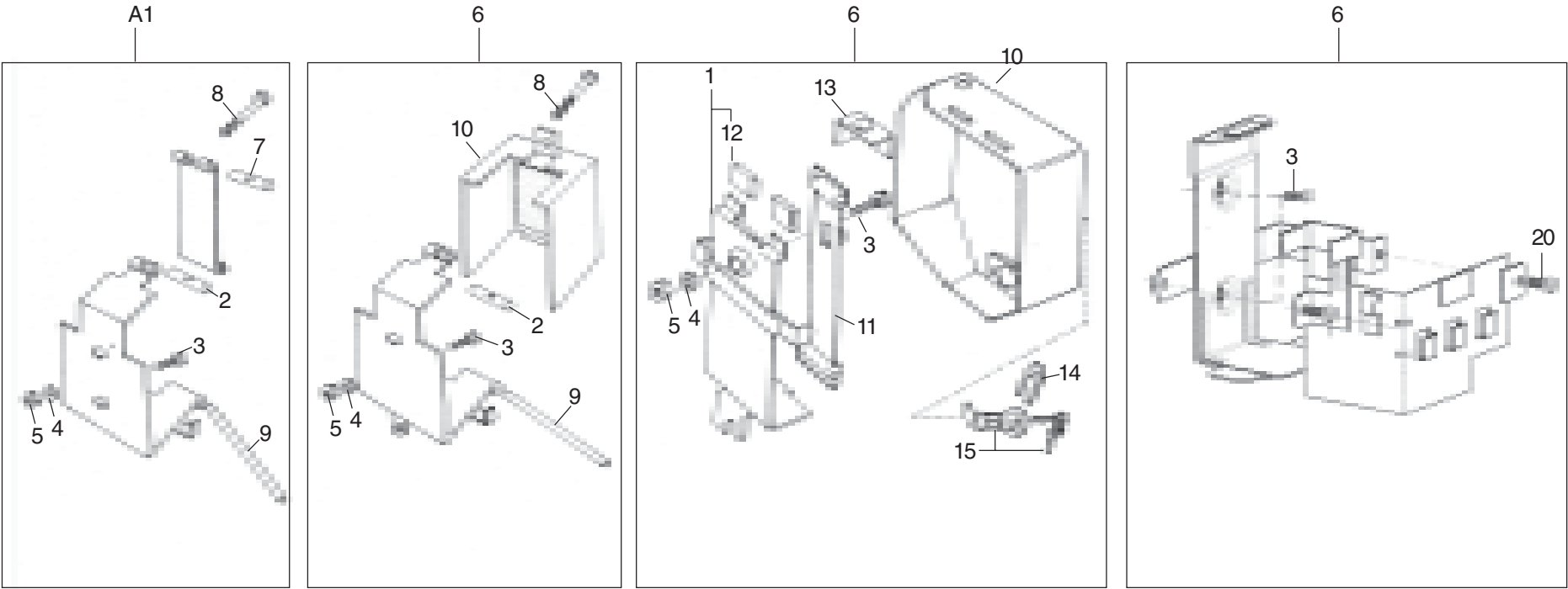
16-50 TAIL LAMP

Key No.	Part Numbers		Description	Qty.	350								BU 500	Lightning			Bu Mach		T Bird		Remarks	MOQ
	New	Old			Std	Dlx	Mac	Cam	Elec 4S		Elec 5S			500	535	535 ES	A350	A500	KS	ES		
									KS	ES	KS	ES										
A1	144357/D		Tail lamp assembly with bulb	1	•	•	•	•	•	•	•									1		
	146771/B		Tail lamp assembly with bulb	1						•	•									1		
	170276		Tail lamp assembly with bulb	1								•	•	•						Not Serviced	1	
	146780/B		Tail lamp assembly with bulb	1								•	•	•	•	•	•	•		1		
A2	146921		Tail lamp assembly without bulb	1				•	•	•	•									Not Serviced	1	
	146912		Tail lamp assembly without bulb	1										•	•	•	•			1		
1	141800		Screw, Tail lamp lens	2	•	•	•	•			•									LTD		
	140986		Screw, Tail lamp lens	2				•	•	•	•											
	170448		Screw, Tail lamp lens	3								•	•	•	•	•	•					
2	140987		Lens, Tail lamp	1	•	•	•	•			•											
	146922		Lens, Tail lamp	1				•	•	•	•										2	
	170447		Lens, Tail lamp	1								•	•	•						Not Serviced	2	
	146915		Lens, Tail lamp	1								•	•	•	•	•	•				2	
3	140988		Gasket	1	•	•	•	•			•											
	170453		Gasket	1								•	•	•						Not Serviced		
4	140829		Bolt	2	•	•	•	•			•									LTD		
	146923		Screw	3				•	•	•	•											
	124539/1		Bolt	3								•	•	•							1	
5	140989		Base assembly, Tail lamp	1	•	•	•	•			•										1	
	170454		Base assembly, Tail lamp	1								•	•	•						Not Serviced	1	
	146914		Base assembly, Tail lamp	1								•	•	•	•	•	•				1	
6	141809		Washer	2	•	•	•	•			•										100	
	141801		Washer	3				•	•	•	•				•	•	•	•			100	
	142606		Washer	3								•	•	•						Not Serviced	100	

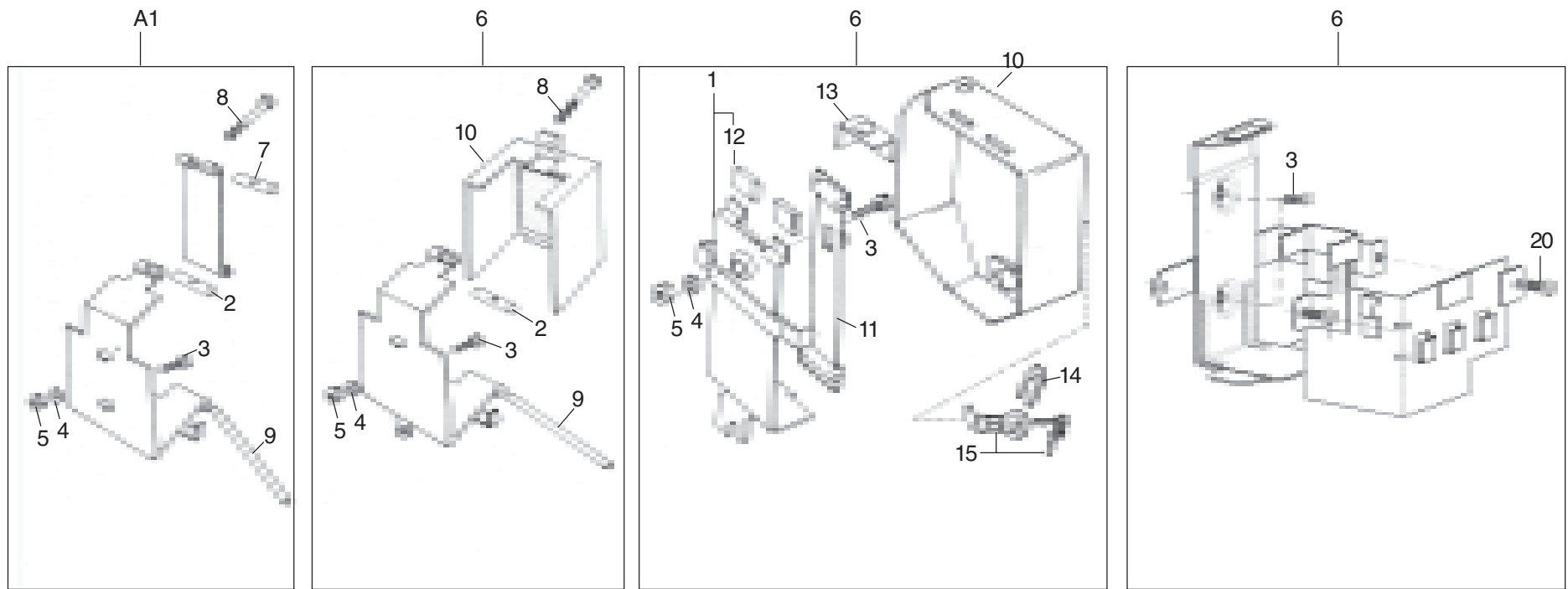
16-50 TAIL LAMP



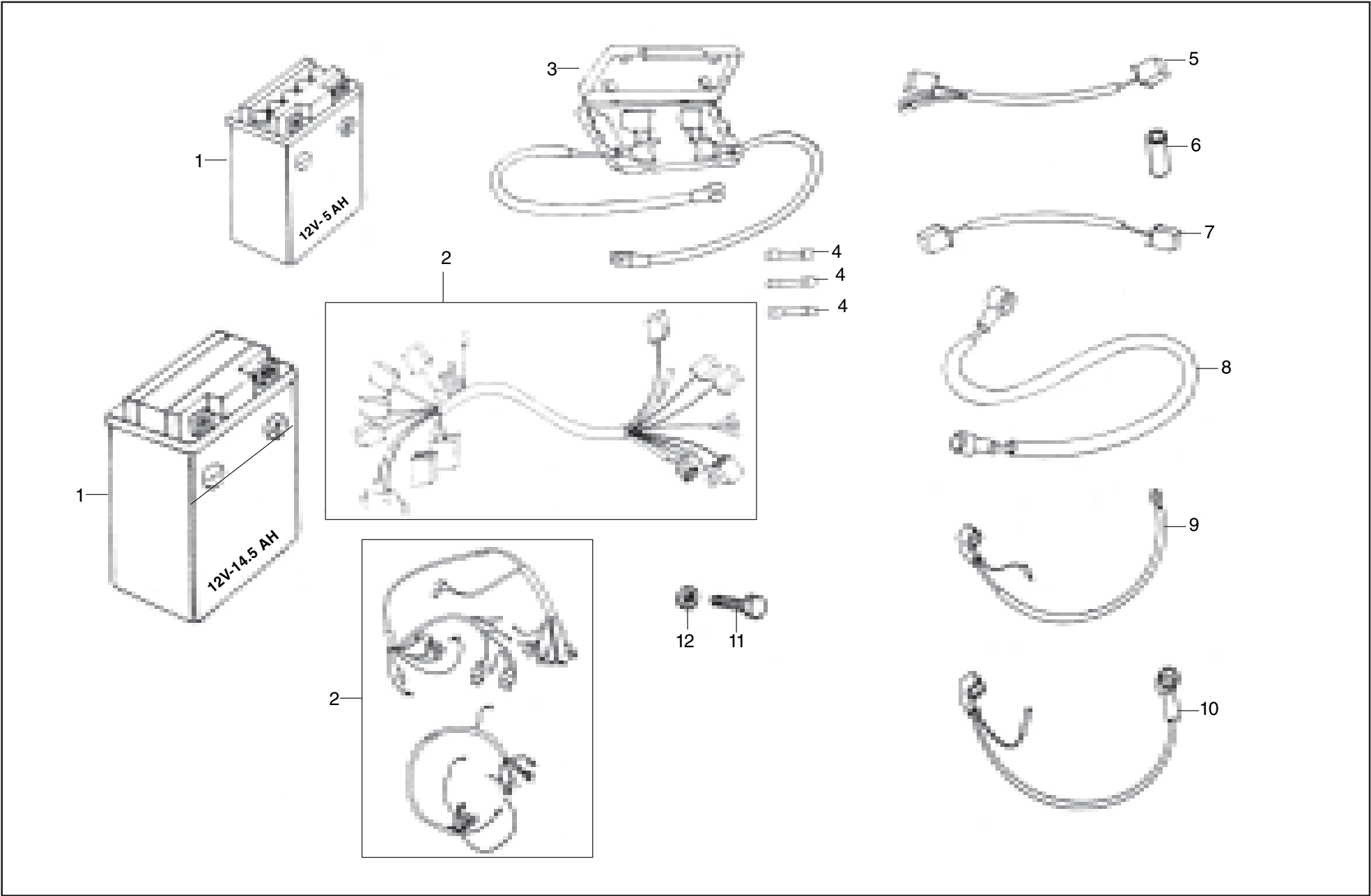
17-10 BATTERY CARRIER



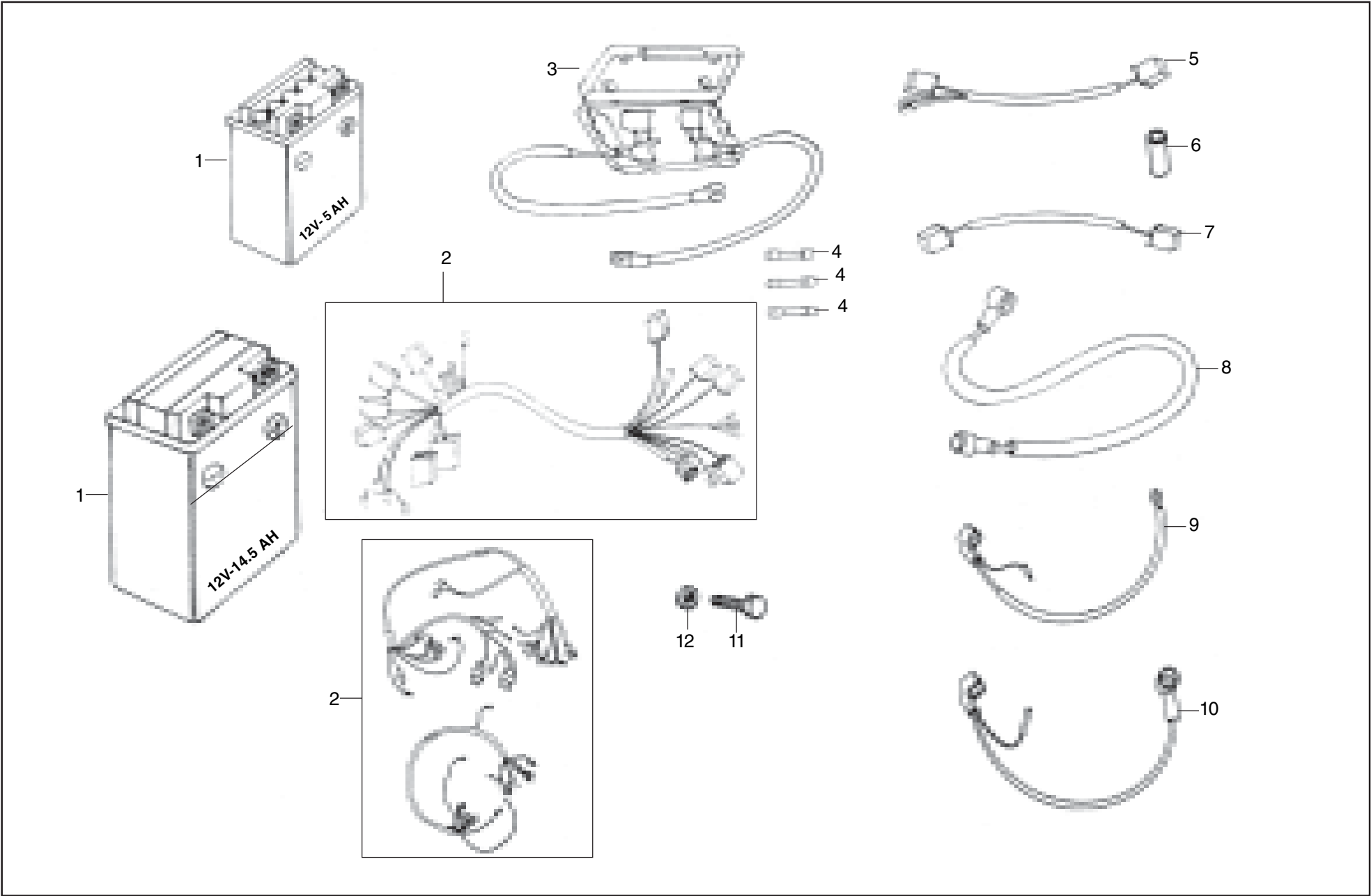
17-10 BATTERY CARRIER

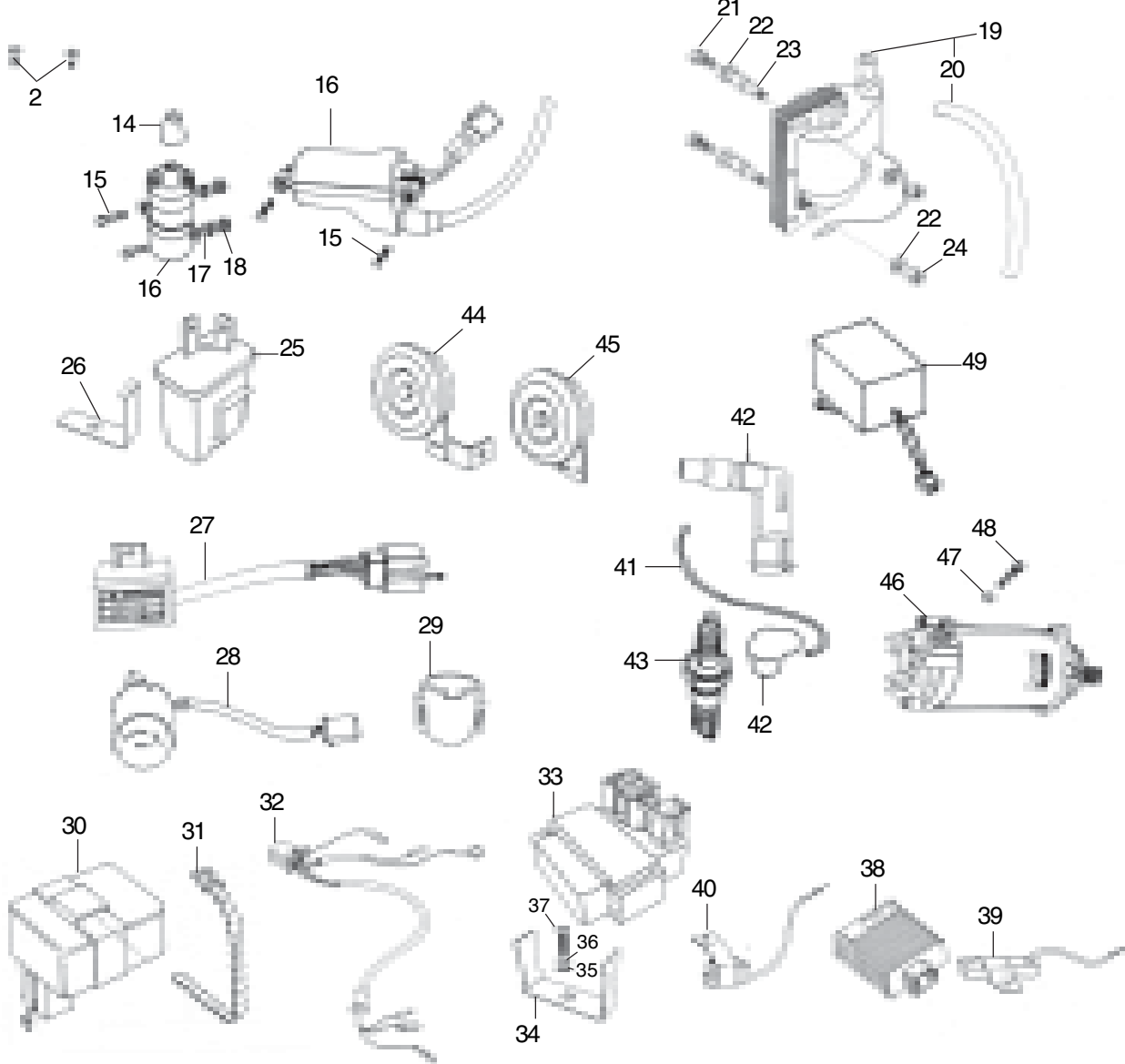
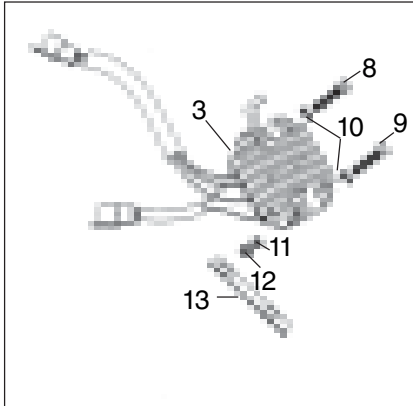
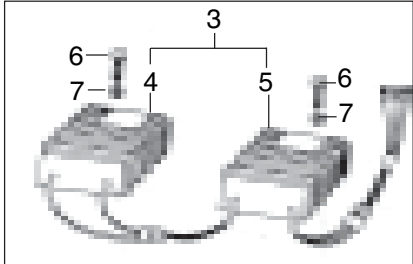
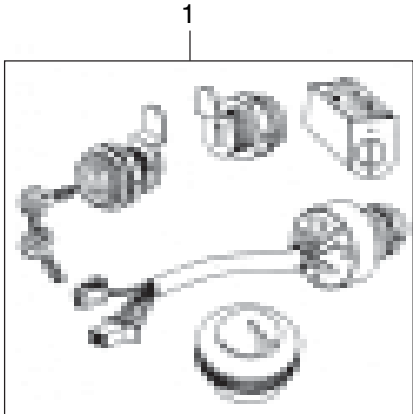


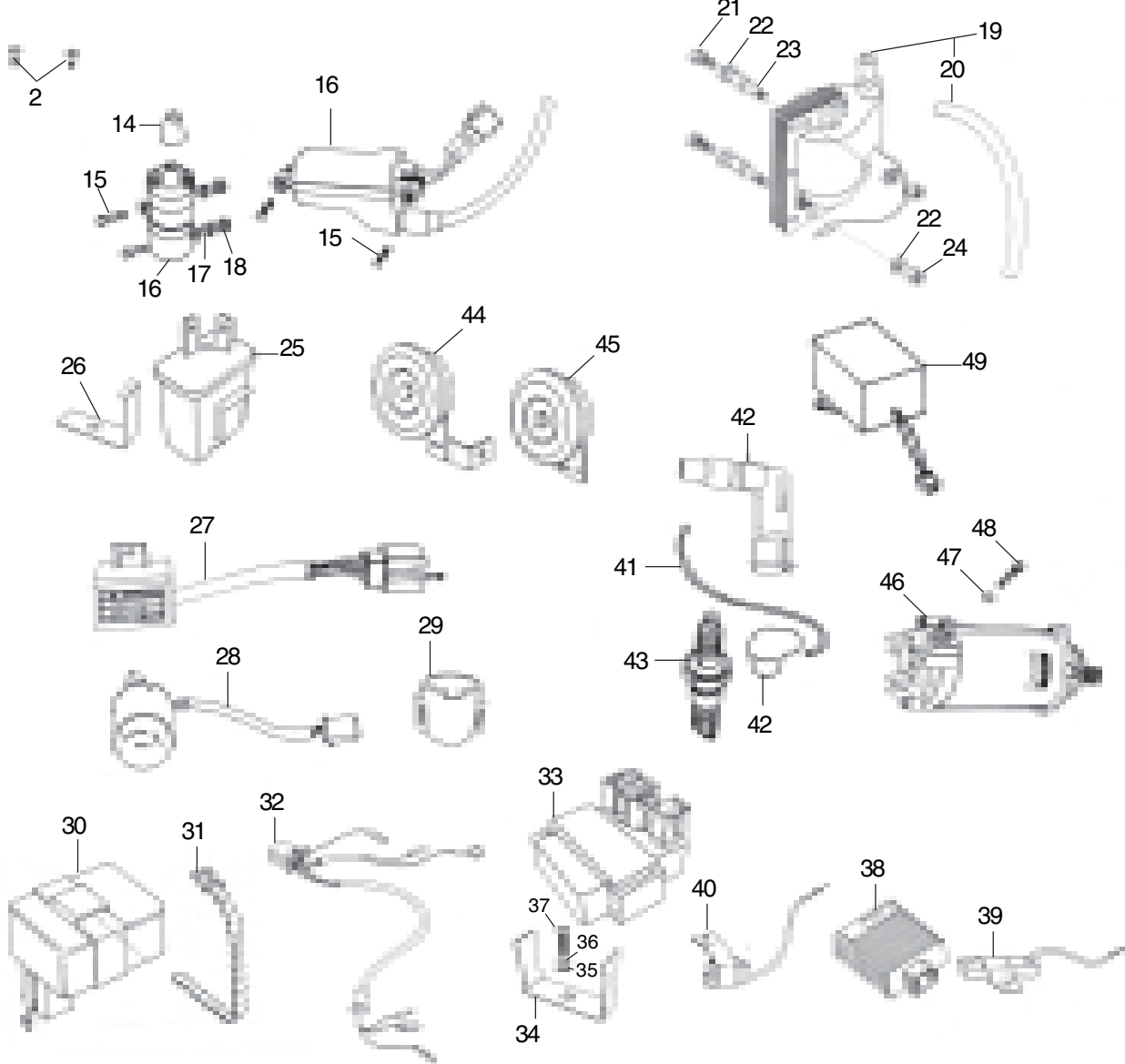
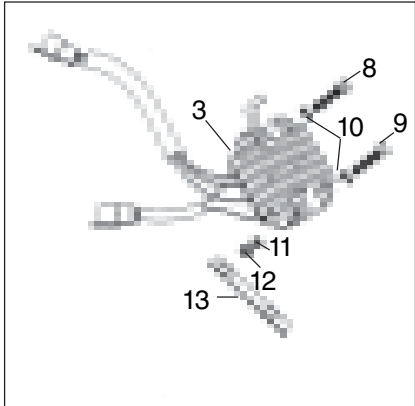
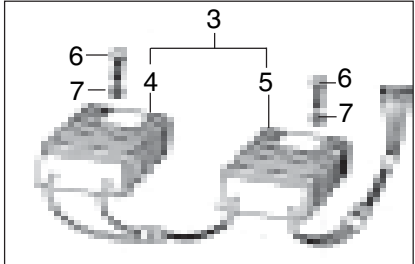
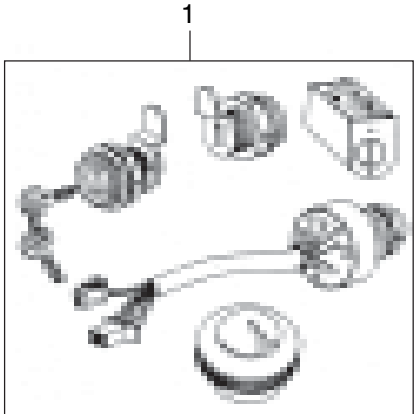
17-20 BATTERY AND HARNESS

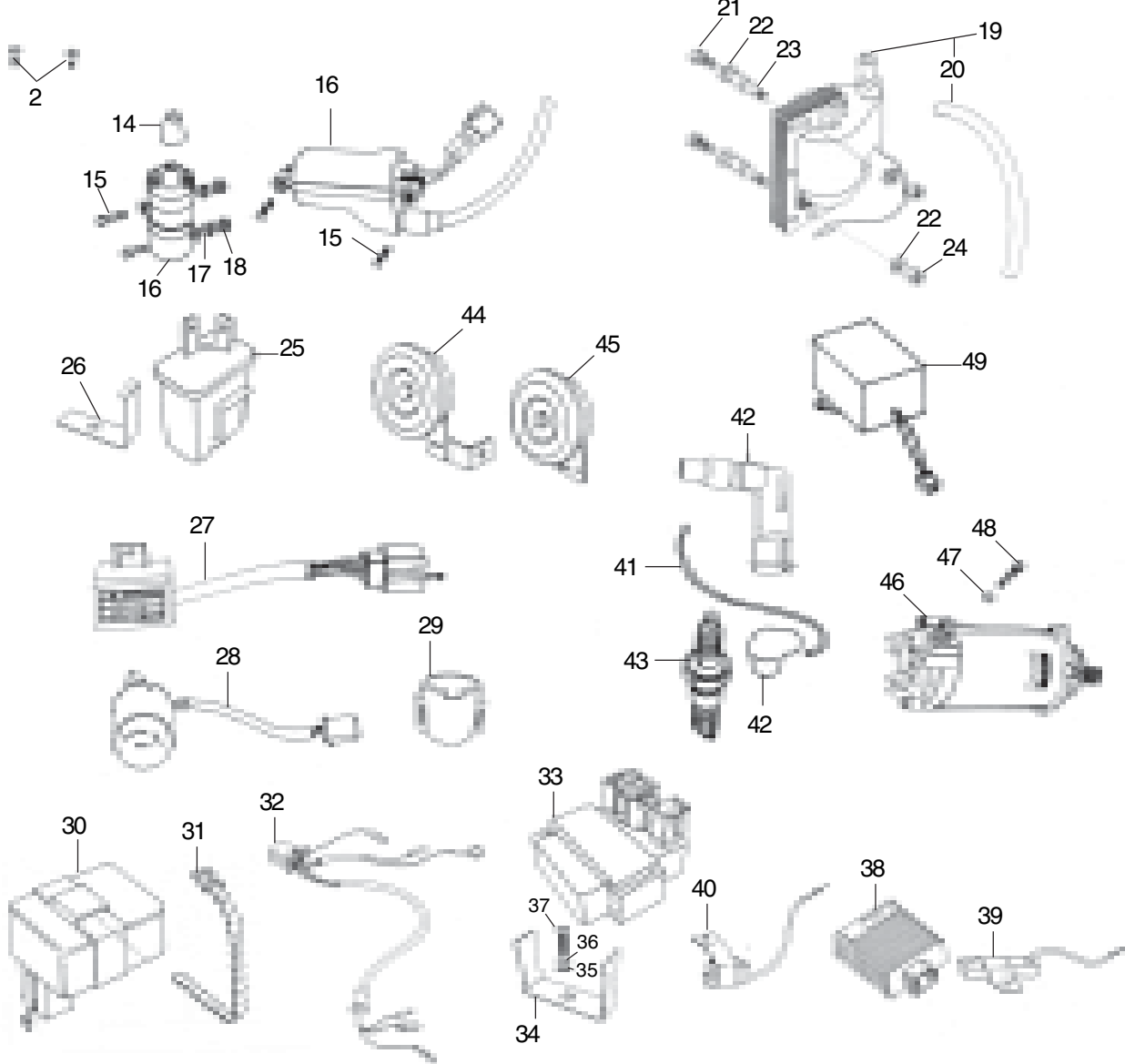
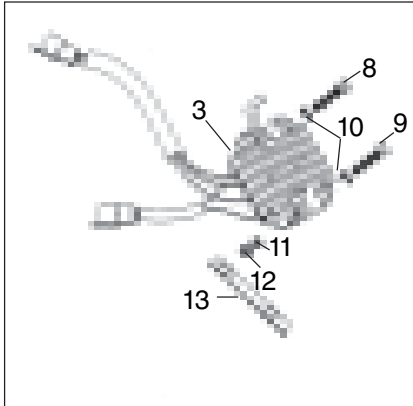
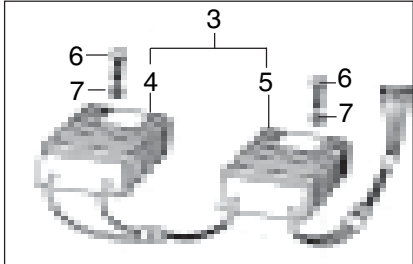
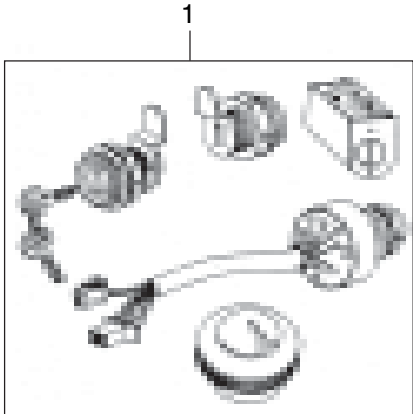


17-20 BATTERY AND HARNESS









17-30 SWITCHES AND FITMENTS

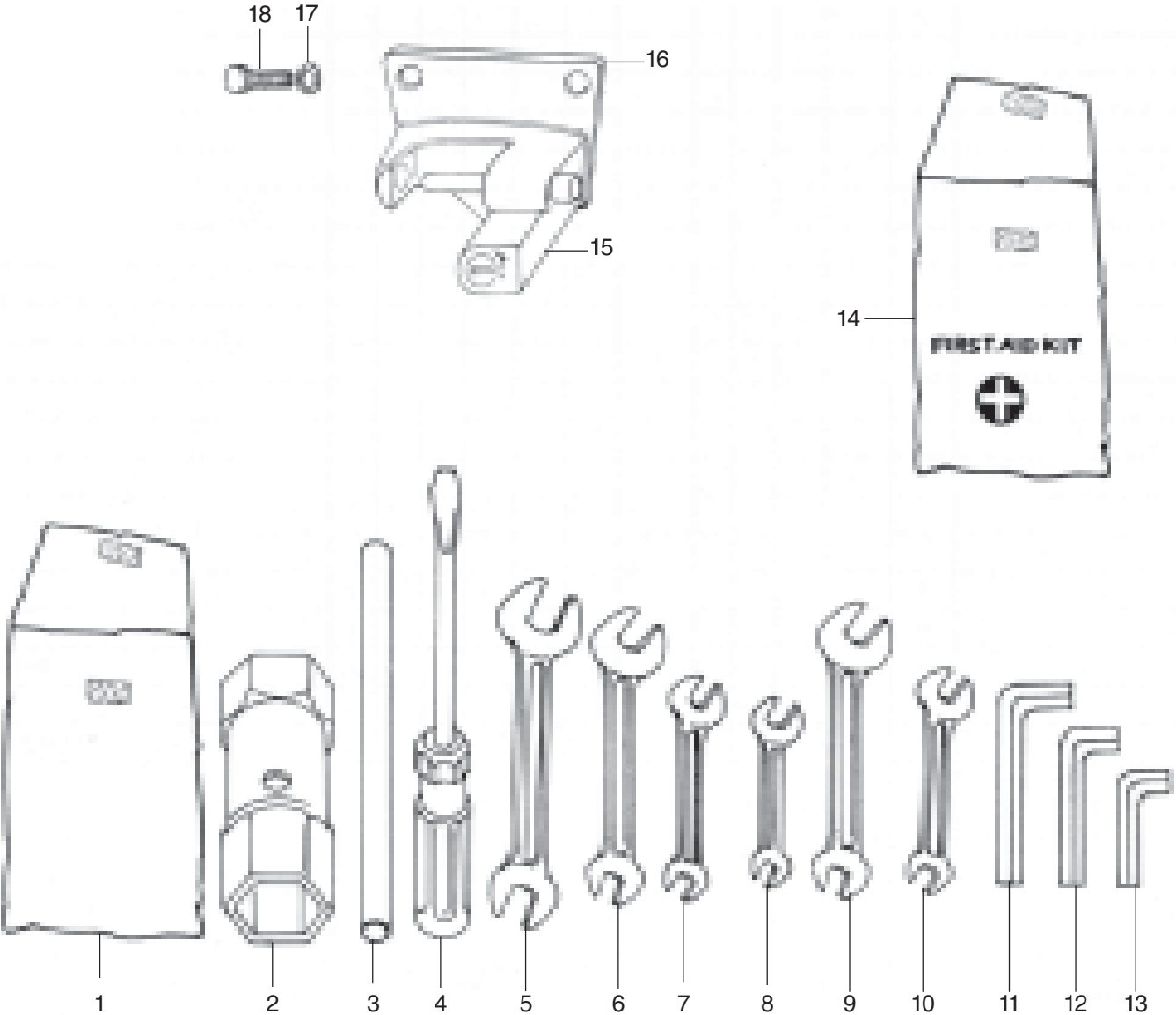
Key No.	Part Numbers		Description	Qty.	350								BU 500	Lightning			Bu Mach		T Bird		Remarks	MOQ
	New	Old			Std	Dlx	Mac	Cam	Elec 4S		Elec 5S			500	535	535 ES	A350	A500	KS	ES		
									KS	ES	KS	ES										
39	500975/A		Capacitor	1																		
40	500974/B		Resistor	1																		
41	140149/2		H.T Lead	1	•	•	•	•			•	•	•	•								
42	144059		Cap, Spark plug M10.W145Z1	1	•	•	•	•			•	•	•	•								
	500905/C		Cap, Suppressor, Spark plug	1					•	•	•	•			•	•	•	•				
43	141148		Spark plug	1	•	•	•	•	•	•	•	•	•									
	142475		Spark plug	1							•								LTD			
	500904/4	500904	Spark plug	1											•		•	•				
	510904/A		Spark plug	1												•						
	144607/A		Spark plug	1							•	•	•	•								
	142773		Spark plug	1									•	•					LTD			
44	141732/C	145912/A	Horn, High tone	1	•	•	•	•				•			•				LTD			
	142309		Horn	1								•	•	•					Not Serviced			
	146168/B		Horn	1	•	•	•	•	•	•	•	•	•	•	•	•	•	•	Alternate No. 580407/B			
	146071/A		Horn	1					•										Not Serviced			
	521117/A		Horn, High tone	1															Not Serviced			
45	141733/B	145913/A	Horn, Low tone	1			•	•							•				LTD			
	521120/A		Horn, Low tone	1													•		Not Serviced			
46	560013/A		Starter motor assembly - 750W	1										•		•						
	560599/A		Starter motor assembly - 900W	1					•		•				•			•	Alternate No. 146982/B			
47	140083		Plain washer	2										•								
	141061/1		Plain washer	2					•		•							•				
48	560023		Screw	2					•		•				•				LTD			
	570423/A		Screw	2					•		•				•			•				
49	143777/3		AC Regulator	1	•	•	•	•	•			•	•	•	•			•				

18-10 TOOL KIT

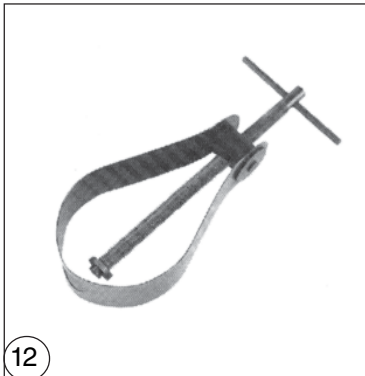
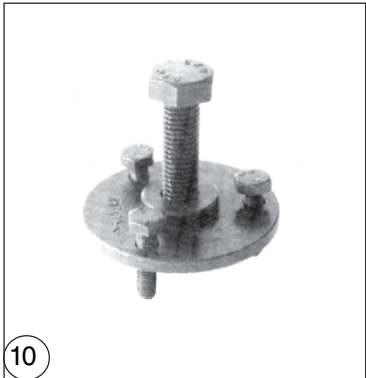
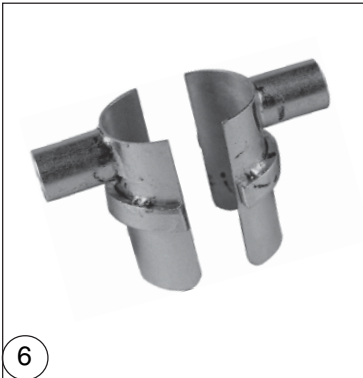
A1
Key Nos.
1,3,4,5,7,10

A2
Key Nos.
1,3 to 9, 11,12

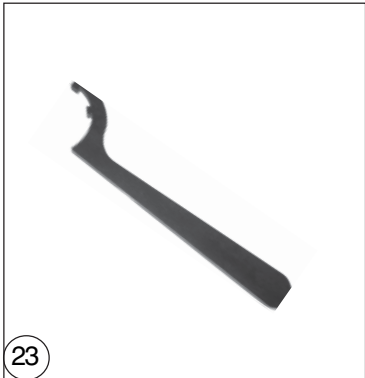
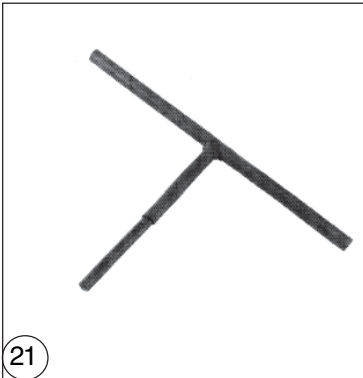
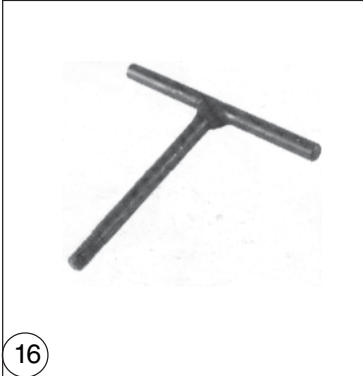
A3
Key Nos.
All except 6,8,9



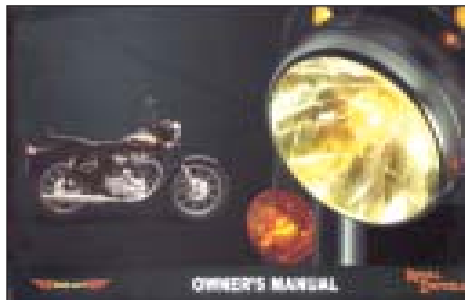
19-10 SPECIAL TOOLS LIST



19-10 SPECIAL TOOLS LIST



20-10 SERVICE PUBLICATIONS LIST (NON UCE)



1



2



3



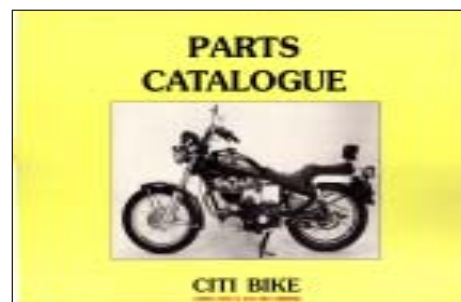
4



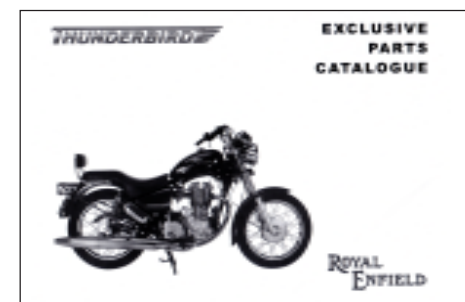
5



6



7



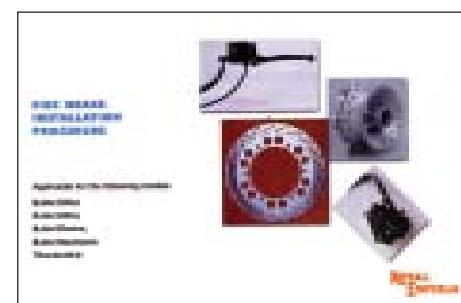
8



9

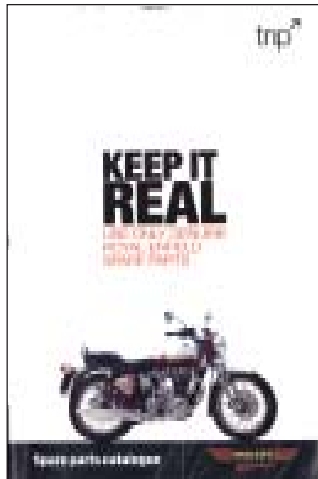


10

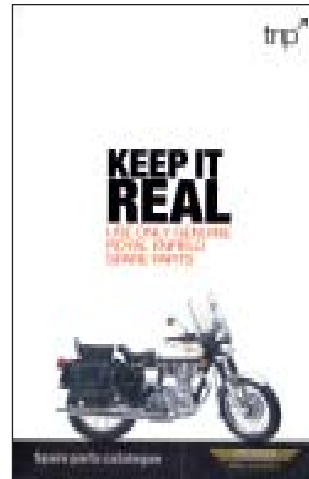


11

20-10 SERVICE PUBLICATIONS LIST (NON UCE)



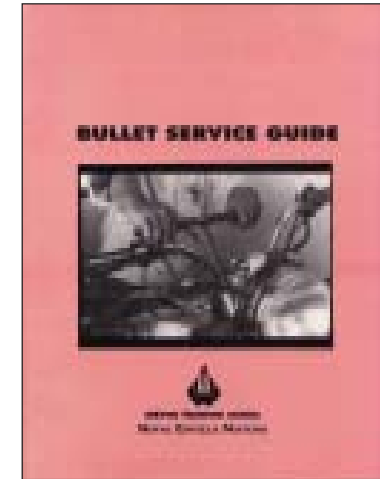
12



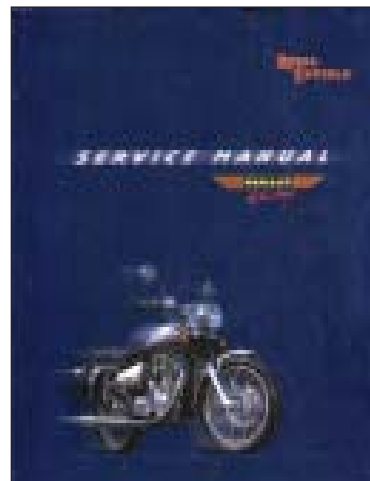
13



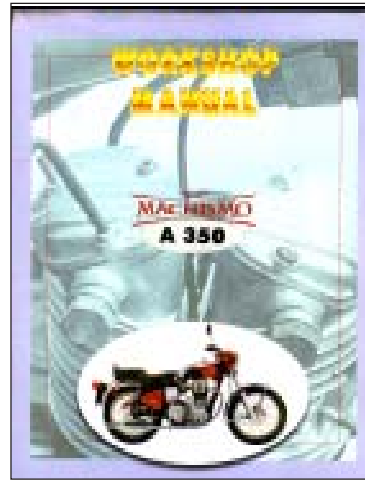
14



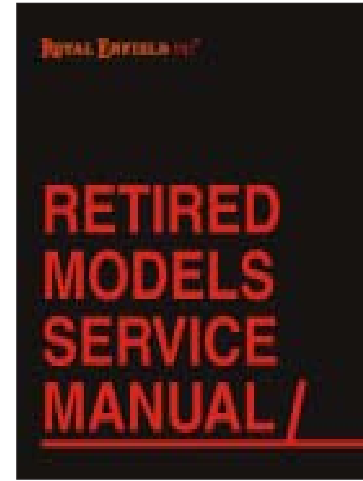
15



16

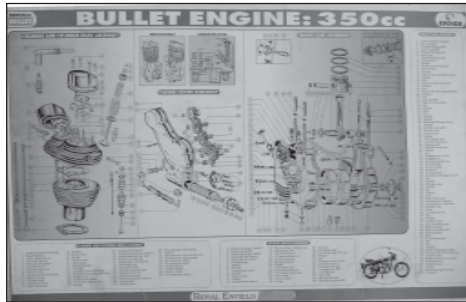


17

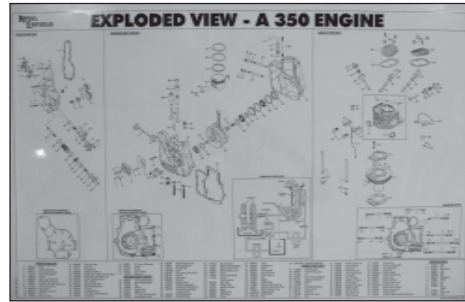


18

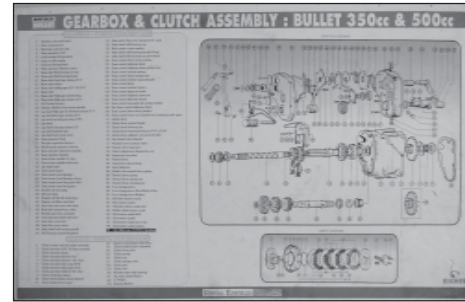
20-10 SERVICE PUBLICATIONS LIST (NON UCE)



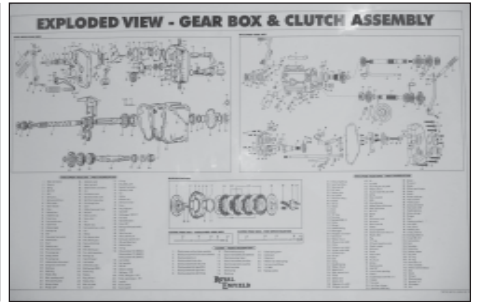
1



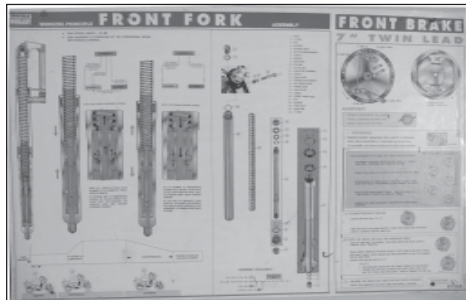
2



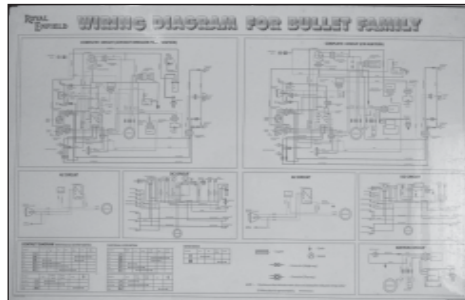
3



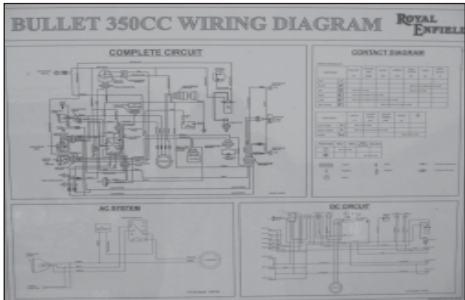
4



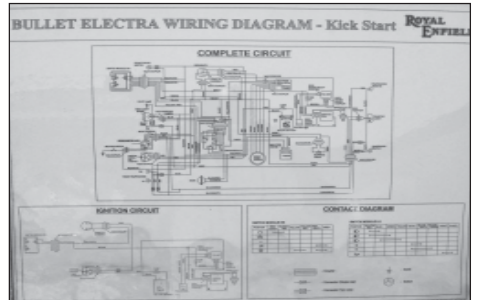
5



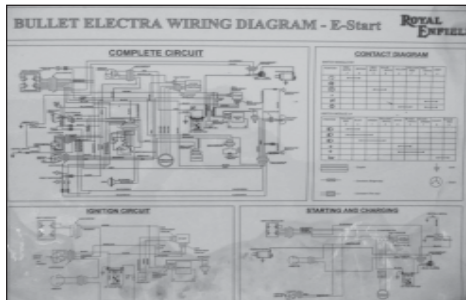
6



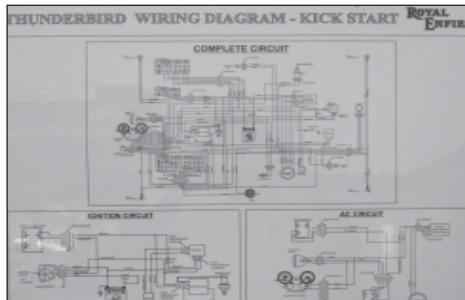
7



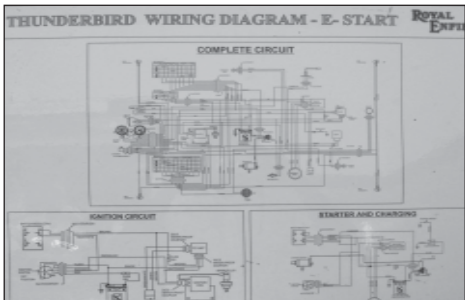
8



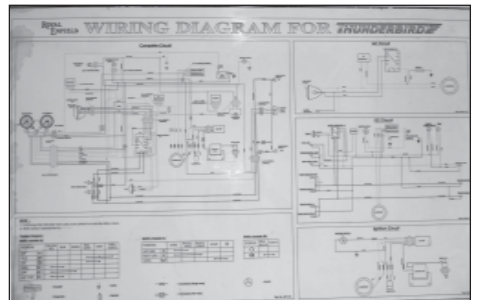
9



10



11



12

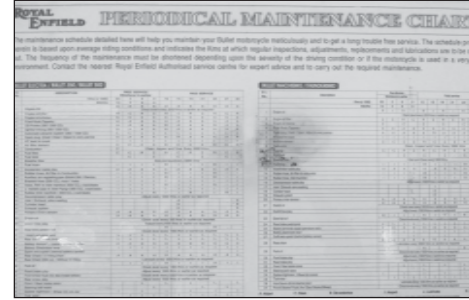
20-10 SERVICE PUBLICATIONS LIST (NON UCE)



13



14



15



16



17

PART NUMBER INDEX

New Part No.	Old Part No.	Page No.	Key No.
107293		213	4
110009		53	3
110018		51	5
110050		33	5
110058		27	2
110081		63	20
110085	110024	49	1
110121		189	25
110143		187	7
110158		221	17
110161		219	10
110161		247	20
110170		237	9
110202		41	7
110210		257	14
110214		257	18
110215		257	17
110267		87	29
110278		167	27
110279		231	20
110280		167	26
110280		231	21
110284		233	4
110300		237	2
110308		233	8
110333		241	1
110349		165	11
110349		229	13
110364		247	23
110384		225	16
110405		209	27
110414		157	21
110422		209	28
110452		207	12
110490		295	5
110490		295	6
110498		207	20
110499		207	21
110572		207	14
110574		207	15

New Part No.	Old Part No.	Page No.	Key No.
110656		157	8
110663		157	9
110671		155	2
110695		245	10
110734		275	9
110965		103	6
111054	111054/I	91	28
111079		85	18
111086		87	31
111102		89	16
111102		93	5
111103		89	19
111103		93	13
111107		93	12
111122		93	1
111124		93	4
111129		93	11
111132		95	32
111154		119	7
111160		87	32
111166		91	25
111178	144722	59	1
111189		87	29
111201		251	3
111251		183	38
111252		183	39
111257		263	18
111263		175	1
111264		175	3
111265		177	6
111266		177	7
111375		237	1
111712		241	4
111715		163	19
111715		241	6
111721		251	1
111798		17	18
111810	110220	251	5
111825		49	1
111826		49	1

New Part No.	Old Part No.	Page No.	Key No.
111846		153	16
111846		237	6
111858	144428	29	4
111859		29	3
111867		45	A1
111869	111195	47	13
111887		33	8
111889		111	1
111914		93	17
111914	550193	109	28
111914		161	11
112011		241	2
112020		93	23
112029		91	37
112049		25	13
112050		25	14
112053		49	2
112054		49	2
112055		17	1
112056		23	9
112057		155	A1
112058		155	1
112075		23	10
112089		17	8
112101		161	A1
112146		17	19
112146		241	3
112147		23	2
112147		73	A2
112153	597236	17	14
112154	597235	17	13
112162		161	A1
112163		163	14
112171		27	1
112180		133	11
112183		175	3
112185		177	6
112187		177	7
112212		241	2
112241		283	5

New Part No.	Old Part No.	Page No.	Key No.
112242		283	4
113007		113	19
113028		237	17
113086		237	21
120332		255	8
120332		255	10
120521		113	16
121161		155	5
123781		207	13
124160		263	21
124168		181	28
124169		181	30
124267		265	11
124316		229	7
124339		187	22
124341		189	22
124346		187	15
124539		217	38
124564		181	26
140007		61	5
140015		45	2
140020		45	9
140023		45	4
140024		45	3
140027	140027/3	41	9
140038		73	3
140052		33	11
140063		33	14
140078		37	27
140081		37	25
140082		37	26
140083		37	30
140083		287	47
140084		67	2
140086		67	1
140088		67	4
140089		67	3
140094		55	8
140095		55	7
140107		121	9

New Part No.	Old Part No.	Page No.	Key No.
140115		71	1
140129		81	2
140129		121	21
140129		147	7
140129		153	15
140129		153	19
140129		157	13
140129		177	9
140129		219	7
140129		223	7
140129		245	6
140129		247	22
140129		283	7
140129		283	11
140129		285	17
140129		285	22
140129		285	36
140129		289	17
140147		113	10
140147		137	50
140147		147	10
140147		157	14
140147		161	5
140147		177	4
140147		189	27
140147		241	5
140147		257	20
140147		263	22
140166		71	10
140167		41	5
140191		177	5
140194	140194/5	181	23
140195	140195/C	181	21
140201		93	20
140201		109	26
140201		123	26
140201		179	3
140219		187	14
140226		263	13
140243		221	20

PART NUMBER INDEX

New Part No.	Old Part No.	Page No.	Key No.
140244		221	19
140270		261	2
140277		113	18
140282		129	8
140291		41	8
140293	140293/1	41	11
140293		237	14
140299	144633	129	4
140302		207	23
140302		237	13
140302		257	16
140302		259	28
140303		207	24
140303		251	9
140304		207	24
140305		237	3
140306		251	4
140306		255	7
140306		255	7
140308		207	25
140312		113	8
140313		129	5
140314		129	6
140317		125	4
140318		125	3
140336		93	2
140337		91	39
140369		235	19
140383		207	25
140383		223	5
140383		249	50
140384		233	6
140384		233	11
140384		237	4
140388		169	8
140403		189	23
140404		189	24
140435		259	27
140438		283	14
140441		259	26

New Part No.	Old Part No.	Page No.	Key No.
140453		289	2
140466		211	6
140470		207	10
140471		209	29
140472		209	30
140500		289	7
140501		289	6
140502		289	8
140503		289	5
140536		207	9
140540		221	14
140541		207	24
140541	140308	221	15
140542		221	16
140542		267	3
140543		289	4
140553		179	11
140566		61	6
140587		213	3
140613		45	8
140702		273	7
140705		273	8
140714		81	10
140714		279	6
140732		263	14
140733		263	12
140734		263	11
140747		215	22
140753		85	21
140769		119	3
140771		75	6
140778		59	A1
140791	144850	45	5
140829		271	4
140871		261	A2
140901		81	A1
140903		81	7
140915		81	11
140921		45	6
140922		33	14

New Part No.	Old Part No.	Page No.	Key No.
140923		35	15
140924		35	18
140925		61	10
140947		239	22
140949		35	14
140954		81	8
140986		271	1
140987		271	2
140988		271	3
140989		271	5
141044		163	15
141051		37	31
141051		37	31
141051		39	34
141051		93	18
141051		109	20
141051		113	11
141051		113	15
141051		147	11
141051		157	15
141051		159	23
141051		161	6
141051		181	29
141051		215	16
141051		257	21
141051		263	23
141054		35	21
141057		257	18
141060		39	33
141060		55	5
141060		55	7
141060		97	4
141060		151	9
141060		153	14
141060		157	11
141060		163	17
141060		219	8
141060		223	8
141060		237	7
141060		245	18

New Part No.	Old Part No.	Page No.	Key No.
141060		283	12
141060		285	18
141060		285	24
141061		37	30
141061		157	12
141061		211	12
141061		215	11
141093		151	7
141093		211	13
141093		249	46
141093		283	15
141093		285	21
141093		289	18
141101		229	A1
141112		231	18
141127		235	14
141135		229	11
141136		229	12
141148		287	43
141192		189	29
141207		59	A2
141234		253	4
141361		207	11
141362		207	16
141421		187	16
141428		187	10
141433		279	1
141439		275	6
141444		213	7
141454	144149/B	211	7
141468		229	A1
141545		43	18
141548		45	A1
141632		261	1
141634		261	4
141635		261	5
141636		261	6
141637		261	9
141639		273	9
141645		23	3

New Part No.	Old Part No.	Page No.	Key No.
141645		67	A1
141646		67	A3
141647		67	A2
141649		261	8
141655		157	20
141681		185	1
141682		185	2
141690		179	A1
141715		263	10
141715		263	10
141715		265	3
141722		125	6
141755		273	9
141773		243	2
141788		41	2
141800		271	1
141801		271	6
141809		271	6
141810		81	12
141812		81	9
141815		71	1
141816		71	1
141829		147	13
141829		157	19
141831		137	49
141844		247	23
141862		153	20
141862		247	33
141862		273	7
141886		261	A1
141923		35	15
141945		135	21
141946		133	6
141947		133	1
141948		133	11
141949		137	40
141950		133	14
141951		133	2
141952		133	5
141953		135	16

PART NUMBER INDEX

New Part No.	Old Part No.	Page No.	Key No.
141954		135	24
141955		137	41
141956		137	35
141957		135	20
141958		133	4
141959		135	23
141960		137	37
141961		137	43
141962		137	42
141963		135	18
141963		143	23
141964		135	19
141965		135	22
141966		133	10
141967		133	8
141968		135	17
141969		133	9
141970		133	15
141971		137	39
141972		137	36
141973		135	26
141974		135	25
141975		135	27
141976		135	28
141977		133	12
141978		133	13
141990		23	4
141991		23	5
141992		17	3
141992		119	A4
142023		217	39
142023		247	34
142095		159	24
142095		249	38
142114		239	23
142114		241	9
142119		83	23
142119		247	35
142123	144612/D	73	1
142130	801132	213	1

New Part No.	Old Part No.	Page No.	Key No.
142138		213	5
142176		165	12
142179		149	18
142181		251	10
142182		33	2
142182		33	2
142182		37	31
142182		103	5
142182		161	6
142182		179	8
142182		257	21
142182		257	21
142182		269	6
142182		275	5
142185		27	2
142195		119	7
142203		63	20
142232		251	5
142232		255	8
142232		257	11
142232		257	11
142237		277	20
142240		257	18
142242		255	6
142257		103	15
142258		157	22
142258		161	2
142258		177	12
142258		217	43
142258		275	3
142258		275	3
142274		147	6
142274		157	10
142274		215	10
142274		223	4
142274		227	3
142274		245	16
142274		267	3
142274		283	6
142274		283	8

New Part No.	Old Part No.	Page No.	Key No.
142274		285	37
142282		95	30
142291		93	15
142301		261	3
142309		287	44
142347		229	A2
142442		85	A1
142471		137	52
142475		287	43
142497		33	10
142502		241	8
142509		213	3
142528		153	18
142598		83	19
142603		247	26
142604		127	7
142606		271	6
142617		53	3
142631		289	2
142632		289	3
142643		207	19
142672		263	20
142721		269	3
142761		213	8
142761		215	21
142761		247	21
142773		287	43
142804		49	2
142805		49	2
142835		167	18
142860		169	17
142861		169	11
142862		169	9
142863		169	16
142864		169	10
142868		187	7
142894		217	42
142900		169	9
142901		161	A1
142930		279	3

New Part No.	Old Part No.	Page No.	Key No.
142933		279	4
142935		49	1
142964		29	3
142970		133	2
142971		133	3
142972		133	4
142973		133	5
142973		135	32
142974		135	16
142975		135	24
142977		135	20
142978		135	31
142979		137	38
142980		135	34
142981		133	7
142982		137	51
142983		135	33
142984		133	9
142985		137	39
142986		135	25
142987		137	42
142988		137	37
142989		137	36
142990		135	30
142991		135	29
142992		133	13
142994		135	26
142995		135	17
142996		133	15
143023		275	10
143037		169	4
143042		233	3
143091		23	9
143092		23	4
143093		23	10
143098		175	1
143135		91	41
143139		233	9
143143		137	54
143146		137	56

New Part No.	Old Part No.	Page No.	Key No.
143160		21	15
143238		191	48
143254		275	8
143257		245	4
143275		247	25
143287		137	46
143314		197	12
143332		197	17
143333		197	18
143348		197	15
143349		197	16
143350		197	14
143357		197	10
143358		197	11
143407		169	13
143407		241	10
143409		217	31
143409		239	24
143422		17	20
143423		17	20
143496		211	3
143498		211	4
143498		247	30
143498		283	9
143541		147	5
143576		213	4
143628		265	6
143629		265	5
143630		81	4
143633	170536	125	1
143633	560047	125	1
143657		147	8
143657		237	6
143657		237	19
143657		249	49
143712		215	9
143808		179	9
143823		181	16
143843		41	4
143872		81	7

PART NUMBER INDEX

New Part No.	Old Part No.	Page No.	Key No.
143881		279	7
143898		187	11
143899		185	3
143907		129	1
143909		81	17
143966		165	A1
143967		165	A2
143969		167	16
144012		41	3
144020		267	5
144039		25	13
144040		25	14
144047		73	2
144059		287	42
144068		23	1
144068		53	A1
144083		137	53
144096		253	6
144129		211	8
144130		77	21
144131		77	20
144132		77	23
144133		77	24
144134		77	25
144135		133	A1
144136		133	A1
144138		121	19
144145		51	5
144146		81	12
144152		87	29
144155		45	A1
144159		59	1
144162		49	3
144168		49	4
144192		163	14
144193		163	14
144202		81	A1
144219		185	3
144231		27	1
144293		17	15

New Part No.	Old Part No.	Page No.	Key No.
144293		165	A3
144294		19	4
144294		185	A1
144295		17	16
144295		165	A4
144296		17	17
144296		229	A3
144297		25	12
144298		23	8
144335		133	11
144339		19	7
144339		207	16
144351		221	12
144353		195	4
144355		265	1
144378		261	A2
144391		41	13
144392	145233	77	19
144420		185	1
144421		185	2
144432		45	7
144436		67	2
144437		67	1
144440		59	4
144440		65	34
144444		67	3
144445		67	4
144454		89	1
144462		119	5
144464	144464/c	123	24
144467		185	5
144477		61	10
144478		81	A1
144479		83	24
144482		81	18
144483		81	6
144487		31	4
144490		45	7
144496		119	1
144497		123	25

New Part No.	Old Part No.	Page No.	Key No.
144500		59	A1
144514		265	7
144514		265	7
144560	144487	31	4
144568		261	9
144591		55	11
144593		57	12
144594		57	15
144600	140155/1	43	16
144600		63	22
144600		75	17
144601		189	30
144603		179	1
144613		75	8
144614		75	11
144616		77	27
144617		73	2
144620		67	7
144622		53	2
144624		111	4
144628		53	2
144635		129	3
144638		75	7
144702		85	A1
144705		169	A1
144732		133	A1
144775		59	2
144776		59	3
144795		129	7
144841		73	5
144844		73	4
144850	140022	45	1
145015		27	2
145023		75	6
145081		83	20
145090		103	19
145091		235	19
145125		41	1
145143		283	2
145149		233	5

New Part No.	Old Part No.	Page No.	Key No.
145150		161	10
145171		131	9
145192	145522/A	195	8
145193	145523/A	195	7
145224		289	14
145232	144936	77	29
145233	144392	43	17
145268		279	4
145274		147	6
145350		29	3
145546		289	A3
145854		241	1
145883		177	16
145943		185	1
145944		185	2
146070		193	2
146086		27	1
146201		251	12
146202		251	11
146203		251	13
146204		251	14
146205		251	15
146210		187	22
146214		185	5
146215		187	10
146216		187	11
146217		189	40
146218		189	39
146219		189	38
146220		187	16
146221		189	41
146222		189	42
146224		191	53
146225		191	52
146226		191	49
146228		191	55
146229		191	54
146230		191	51
146231		191	50
146232		191	43

New Part No.	Old Part No.	Page No.	Key No.
146233		191	44
146234		191	45
146236		191	46
146237		191	47
146244		277	19
146328		289	A3
146334		171	6
146335		171	7
146336		171	9
146337		171	10
146348		269	3
146381		177	19
146418		279	4
146428		73	5
146429		75	7
146431		169	14
146434		235	26
146451		279	4
146452		265	8
146476		59	1
146522		265	9
146540		27	1
146586		171	13
146586		197	16
146776		27	1
146777		27	1
146797	521069/B	177	14
146910		23	1
146910		53	A1
146912		271	A2
146914		271	5
146915		271	2
146917		269	7
146918		269	8
146921		271	A2
146922		271	2
146923		271	4
146924		295	2
147248		261	3
147306		295	3

PART NUMBER INDEX

New Part No.	Old Part No.	Page No.	Key No.
147360		165	A1
150013		81	6
150209		89	13
151592		93	21
151592		109	25
151910		127	8
153404		221	13
170102		129	1
170104		233	1
170119		187	22
170120		189	22
170130		195	8
170131		195	7
170144		247	28
170145		249	37
170146		247	31
170148		247	27
170173		215	24
170186		269	2
170187		269	1
170190		217	35
170192		217	33
170193		213	3
170194		215	19
170198		217	28
170199		217	30
170202		195	3
170211		217	40
170212		217	41
170214		183	37
170215		183	36
170217	170405	217	37
170218		217	29
170219		217	34
170249		245	14
170256		207	18
170256		267	2
170260		217	26
170267		217	32
170271		199	2

New Part No.	Old Part No.	Page No.	Key No.
170272		199	4
170273		199	1
170276		271	A1
170277		195	4
170288		131	9
170289		111	1
170290		251	6
170291		261	A1
170294		217	36
170296		215	20
170297		217	27
170299		183	34
170351		247	32
170359		195	5
170362		185	2
170363		185	1
170370		113	18
170372		211	11
170374		211	10
170386		229	A2
170395		165	A1
170397		229	A1
170400		49	3
170401		49	4
170402		51	5
170406		49	3
170438		261	9
170442	142438	49	1
170447		271	2
170448		271	1
170453		271	3
170454		271	5
170455		263	16
170456		263	17
170461		155	1
170462		155	A1
170474		205	4
170476		205	4
170477		203	3
170479		203	3

New Part No.	Old Part No.	Page No.	Key No.
170480		245	4
170481		245	4
170482		245	4
170483		175	2
170484		175	2
170485		175	2
170492		205	4
170494		203	3
170496		245	4
170498		175	2
170504		197	14
170506		249	40
170517		279	2
170521		267	1
200005		289	9
210026	143270	177	13
210026		281	12
210776		195	6
370169		149	16
500121		33	10
500127		41	5
500127		151	5
500130		27	1
500134		27	1
500137		27	1
500138		27	1
500139		29	2
500140		33	13
500155		31	4
500160		43	26
500161	145843/A	43	25
500169		29	3
500237		27	1
500301		59	1
500316		69	9
500320		63	20
500321		65	33
500355		69	19
500355		139	11
500355		143	41

New Part No.	Old Part No.	Page No.	Key No.
500359		259	26
500403		33	14
500416		73	1
500424		35	14
500425		35	14
500444	500454	151	1
500457		225	19
500458		221	25
500461		289	A3
500462		289	11
500463		289	10
500505		43	22
500615		73	A1
500632		79	38
500699		139	3
500700		139	1
500702		155	5
500707		199	1
500711		139	2
500712		157	20
500719		157	18
500727		155	A1
500728		155	1
500729		155	3
500741		155	4
500750		147	13
500750		157	19
500755		157	7
500769		139	6
500771		139	7
500772		139	4
500775		139	5
500778		139	8
500785		139	10
500786		139	9
500802		161	8
500803		161	9
500805		163	12
500806		163	13
500827		259	30

New Part No.	Old Part No.	Page No.	Key No.
500828		259	32
500831		141	3
500832		141	11
500833		141	4
500834		141	13
500835		141	12
500836		141	6
500837		141	7
500838		141	9
500839		141	8
500841		143	22
500842		143	24
500843		143	21
500844		141	17
500845		141	16
500846		143	19
500847		143	20
500848		141	5
500849		143	34
500853		143	26
500854		141	2
500855		143	31
500856	500820/A	143	30
500857		143	29
500860		143	28
500861		141	14
500862		143	37
500863		143	18
500864		141	10
500865		141	15
500866		143	32
500867		143	33
500869		143	36
500870		143	35
500871		143	27
500873		143	38
500874		143	25
500916		125	5
500918		111	1
500965		125	5

PART NUMBER INDEX

New Part No.	Old Part No.	Page No.	Key No.
500968		127	10
502005		125	2
502034		111	1
502036		125	1
502037		125	2
502071		283	15
510137		27	1
510139	510250H	29	2
510640		57	16
510831		141	3
510832		141	11
510833		141	4
510835		141	12
510861		141	14
510862		143	37
510864		141	10
510865		141	14
521010		199	4
521064		189	22
521083		245	17
521091		155	1
521095		249	47
521096		155	A1
521106		289	12
521121		205	5
521125		159	25
521126		217	27
521127		215	21
521154		185	2
521155		185	1
521157		213	4
521173		299	12
521206		267	8
521208		267	10
521209		267	11
521210		267	7
521219		269	3
521237		155	A1
521259		59	1
521278		267	9

New Part No.	Old Part No.	Page No.	Key No.
521281		29	3
521285		297	14
521524		295	4
527173		299	6
540023		177	17
540024		177	17
540053		265	9
550005		101	16
550024		101	5
550025		103	9
550025		119	3
550026		103	8
550028		99	22
550031		107	19
550037		103	7
550043		103	5
550071	550239/A	103	23
550087		97	6
550087		103	18
550095		97	3
550095		107	13
550095		127	17
550095		129	8
550097		107	16
550101		107	5
550104		97	3
550108		97	14
550112		99	28
550135		97	16
550137		99	41
550138		107	2
550139		99	30
550140		99	32
550141		101	10
550176		289	13
550181		107	17
550185		99	25
550199		105	32
550253		97	A2
550254		97	A2

New Part No.	Old Part No.	Page No.	Key No.
550524		103	9
550524		119	3
560023		287	48
560025		57	15
560052		111	2
560053		33	1
560115		195	5
560115		195	5
560136		59	A2
560140	112240	283	3
560147		193	1
560158		151	1
560194		195	4
560500		167	16
560526		165	A1
560527		185	1
560528		185	2
560543		193	1
560558	560548	193	1
560564		189	35
560567		171	1
560568		171	2
560570		171	8
560572		171	4
560573		171	5
560579		171	11
560583		173	7
560583		173	11
560585		173	1
560586		173	2
560587		173	3
560588		173	4
560589		173	5
560590		173	6
560591		173	8
560592		173	9
560593		173	10
560594		173	12
560595		173	13
560597		173	15

New Part No.	Old Part No.	Page No.	Key No.
560609		171	12
560668		29	3
562571		171	3
579109		23	1
579109		53	A1
597000		207	17
597001		207	17
597002		207	17
597003		207	22
597004		207	22
597006		203	2
597010		19	5
597010		179	A2
597050		17	4
597050		119	A3
597051		17	2
597064		23	9
597065		23	10
597065		23	11
597066		23	2
597066		73	A2
597067		23	3
597067		67	A1
597068		23	4
597069		23	5
597070		25	13
597071		25	14
597072		23	1
597072		53	A1
597073		25	12
597075		25	15
597076		269	A1
597097		19	8
597097		175	A1
597102		19	8
597102		175	A1
597104		19	8
597104		175	A1
597105		17	21
597106		17	22

New Part No.	Old Part No.	Page No.	Key No.
597107		23	1
597107		53	A1
597110		23	6
597111		17	11
597112		17	9
597113		19	1
597114		17	6
597115		19	12
597116		25	16
597117		19	3
597118		21	16
597118		269	A2
597119		19	6
597119		179	A4
597120		19	12
597121		17	10
597122		19	9
597123		19	11
597124		19	10
597125		19	10
597140		295	1
597150		19	13
597151		19	13
597152		19	13
597153		19	14
597154		19	14
597155		19	14
597156		17	19
597156		241	3
597158		19	2
597162		17	19
597162		241	3
597163		19	8
597163		175	A1
597167		295	10
597170		295	8
597173		299	7
597174		299	2
597175		299	4
597186		23	7

PART NUMBER INDEX

New Part No.	Old Part No.	Page No.	Key No.
597198		19	14
597203		185	A2
597204		179	A3
597234		17	12
597237		17	19
597237		241	3
597241		97	A1
597246		295	11
597251		17	9
597253		21	17
597254		21	18
597255		21	19
597256		19	9
597257		19	9
597258		21	20
597259		25	17
597260		21	21
597261		23	2
597261		73	A2
597272		21	22
597272		141	A1
597275		17	19
597275		241	3
597317		301	15
597322		301	13
597322		301	14
597325		119	A2
597326		119	A1
597327		17	5
597327		119	A5
597328		17	7
597328		119	A6
597349		269	A1
597381		269	A1
597394		297	16
597399		23	1
597399		53	A1
597408		297	12
597428		297	13
801001		157	6

New Part No.	Old Part No.	Page No.	Key No.
801002		155	1
801010		201	1
801015		221	18
801016		213	2
801017		255	1
801019		257	12
801020		259	22
801023	147812/B	253	1
801027		41	10
801029	111713	241	4
801031		237	1
801032		239	28
801034		239	29
801035		239	27
801036		239	25
801039		233	8
801040	801225	233	7
801042		169	7
801043		175	3
801044		177	6
801045		177	7
801046		175	1
801047		243	1
801048		243	3
801049		243	2
801050		245	19
801054		203	2
801055		213	2
801062		241	7
801063		243	1
801064		243	3
801065		245	19
801066		147	9
801066		157	16
801067		179	6
801069		223	1
801070		219	1
801071		213	2
801072		215	18
801075		255	3

New Part No.	Old Part No.	Page No.	Key No.
801076	801299	255	2
801078		175	1
801079		243	1
801080		243	3
801081		243	2
801100		181	31
801121	801356	203	2
801127		147	3
801131		155	A1
801137		213	1
801138		215	17
801139		215	25
801160		221	18
801161		157	6
801161		225	12
801209		275	1
801231		225	18
801232		221	24
801256	801025	259	24
801257	801026	259	23
801263		201	2
801267	145449/B	147	1
801269		179	6
801270	801018	255	1
801275	801005	179	6
801280	801054	201	1
801280		203	2
801296		239	32
801297		239	34
801298		255	1
801300		205	6
801302		221	21
801302		221	22
801302		225	15
801315		219	1
801316		223	1
801346		203	2
801355		233	1
801437		239	30
801455		255	1

New Part No.	Old Part No.	Page No.	Key No.
801456		253	1
801471		255	1
801479		229	15
801481		255	1
801505		255	1
801511		167	24
801514		253	1
801515		221	26
801515		225	20
801516		221	26
801516		225	20
801517		233	8
801540	145092/A	233	1
801566		249	42
801604		183	40
801801		275	1
802001		155	1
802004		201	1
802007		243	1
802008		243	3
802009		201	1
802020		155	A1
803001		155	1
803002		181	27
803004		201	1
803007		243	1
803008		243	3
803012		183	40
803013		155	A1
804005		229	5
804006		229	10
804007		167	16
804023		181	31
804024		179	6
804027		167	16
805001		53	1
805002		53	1
805004		53	1
805006		53	1
805007		53	1

New Part No.	Old Part No.	Page No.	Key No.
805009		53	1
806001		155	1
806002		181	27
806004		201	1
806005		219	1
806007		175	1
806011		243	2
806013		183	40
806015	145555/A	147	1
806020		175	3
806021		177	6
806022		177	7
806048		223	1
806050		155	A1
807004		175	1
807005		243	2
807006		203	2
807022		201	2
808004		175	1
808005		243	2
808006		201	2
808006		203	2
809002		223	1
809003		219	1
809004		175	1
809005		243	2
809006	809085	203	2
809047		225	18
809048		221	24
810003		219	1
810004		175	1
810005		243	2
810006	810041	203	2
810007		213	1
810008		215	17
810009		215	25
810010		223	1
810016		225	18
810017		221	24
810038		205	6

PART NUMBER INDEX

New Part No.	Old Part No.	Page No.	Key No.
810043		221	26
810043		225	20
810044		221	26
810044		225	20
810045		219	1
810046		223	1
810047		219	1
810048		223	1
812002		203	2
812005		183	40
813022		107	15
813025	550002	107	12
813039		69	9
814002		69	9
814003		67	8
814010		43	15
814010		67	8
817001		213	1
817002		215	17
817003		215	25
826016		205	7
826017		205	8
826018		205	6
827002		183	40
830002		183	40
836002		203	2
836011		175	1
836012		243	2
836017		201	2
836018		201	2
836038		205	7
836039		205	8
836040		205	6
836049		175	1
836050		243	2
836051		203	2
836057		205	4
836058		205	3
836075		203	2
836087		201	1

New Part No.	Old Part No.	Page No.	Key No.
836087		201	2
836095		181	27
836109		201	2
836110		219	1
836111		223	1
836112		201	2
836113		219	1
836114		223	1
836116		183	40
836126		183	40
836133		223	1
836134		219	1
837002		203	2
837011		175	1
837012		243	2
838005		201	2
838007		183	40
838035		203	2
838036		201	1
838037		205	4
838038		205	3
838049		203	2
839007		183	40
839020		203	2
839021		201	1
839026		205	4
839027		205	3
839028		203	2
842001		205	7
842002		205	8
842003		205	6
842004		221	23
842004		225	17
842007		201	2
843001		183	40
843003		201	2
843009		205	6
843034		201	2
843056		203	2
843057		203	2

New Part No.	Old Part No.	Page No.	Key No.
843066		201	2
843067		219	1
843068		223	1
843069		201	2
843070		219	1
843071		223	1
843089		183	40
843095		219	1
844001		175	1
844002		243	2
844003		203	2
844004		201	1
844009		205	4
844010		205	3
844011		203	2
845001	801008	179	9
845002	801149	247	24
845003	801082	247	24
847031		203	2
847032		203	2
847036		243	2
847037		219	1
847038		223	1
847039		219	1
847040		223	1
850001		201	2
850054		219	1
850055		183	40
850056		223	1
851006		183	40
866013		181	27
866027		243	3
866030		243	1
866032		243	1
866038		243	3
866076		201	1
867009		223	1
888038		295	9
888039		297	18
110037/3		33	4

New Part No.	Old Part No.	Page No.	Key No.
110052/B		33	6
110054/B		33	7
110056/B		33	7
110056/B		113	20
110079/3	110079	39	35
110082/4		55	4
110090/B		49	4
110091/B		51	5
110116/B	110116	179	13
110119/2		195	3
110163/B		245	8
110179/C		265	12
110201/B	110201/A	113	17
110202/3		41	7
110202/3		97	11
110220/2		255	10
110221/12		115	21
110253/A		89	11
110255/6		93	9
110256/4		95	27
110257/A		95	26
110258/3		95	28
110262/1		87	22
110263/10		89	17
110283/B		233	2
110287/8		233	9
110292/C		165	6
110293/2		165	5
110298/2	110298	237	8
110320/3		63	29
110334/D		165	3
110351/5		245	14
110353/4		245	11
110366/3		233	5
110367/A		247	23
110406/B		209	26
110643/7		251	2
110694/5		245	9
110970/B		165	7
111050/11		85	1

New Part No.	Old Part No.	Page No.	Key No.
111051/11		85	5
111053/3		91	30
111054/3	111054	93	8
111069/9		85	17
111070/7		85	20
111072/B		91	24
111073/D		85	8
111074/7		85	6
111075/9		85	7
111076/2		85	10
111077/3		85	11
111078/9		85	12
111083/17		87	27
111084/14		85	3
111085/7		85	2
111092/C		89	23
111093/4		89	22
111094/C		87	26
111098/2		87	25
111105/4		95	25
111108/2		89	3
111109/B		89	A1
111110/B		89	4
111113/B		89	5
111114/1		89	A2
111115/2		89	9
111116/B		89	8
111117/G		89	7
111118/B		89	10
111119/B		89	6
111120/2		89	12
111128/C		93	10
111134/1		119	4
111137/D		121	10
111138/B		121	8
111143/A		121	13
111152/A	112024/B	89	A3
111152/A		91	39
111155/A	111155/3	121	12
111159/B		89	15

PART NUMBER INDEX

New Part No.	Old Part No.	Page No.	Key No.
111161/1		87	30
111165/18		85	16
111167/B		85	14
111171/5		91	34
111194/1		85	9
111196/2		95	31
111282M		27	1
111334/6		113	7
111686/A		213	5
111696/1		251	7
111760/3		85	15
111859C		29	3
111863/C		37	28
111864/B		37	24
111865/3		33	3
111866/B		113	9
111888/A		111	5
111901/A		147	8
111901/A		157	17
112020/B	112020	109	23
112024/B		93	A1
112024/B		93	19
112027/B		91	33
112078/B		71	11
112078/B		117	14
112095/B		137	48
112096/A	112096	137	47
112165/B	112165	163	18
113022/B		259	33
113023/B		259	31
113027/B	113027	237	15
113030/5	113030	237	18
113049/2		81	5
113049/2		93	3
113049/2	113049	237	5
113072/A	113072	237	16
113089/C		237	20
123790/B		195	3
124266/A		265	10
124333/8		167	17

New Part No.	Old Part No.	Page No.	Key No.
124334/3		165	1
124342/A		187	19
124539/1		229	4
124539/1		249	39
124539/1		271	4
124559/3		283	16
140001/C		61	13
140003/A		61	15
140004/8		61	14
140005/B		63	17
140006/B		63	19
140008/3		59	4
140011/4		47	22
140012/5		47	12
140013/B		47	16
140014/C		47	14
140016/B		47	15
140029/6		75	10
140033/A		285	20
140040/G		77	22
140041/14		77	20
140042/C		77	24
140043/A		77	21
140044/A		77	23
140046/C		77	28
140049/B		77	26
140056/3	140056	39	33
140056/3		67	5
140056/3		177	10
140061/1		153	15
140061/C		35	17
140062/B		35	18
140064/B		35	15
140079/5	140079	39	34
140079/5		61	9
140079/5		113	11
140079/5		215	15
140080/2		37	29
140080/2		37	30
140080/2		65	33

New Part No.	Old Part No.	Page No.	Key No.
140080/2	550044	103	4
140080/2		161	3
140080/2	140080/2	179	7
140080/2		215	23
140080/2		217	44
140080/2		259	29
140080/2		259	29
140080/2		275	4
140083/1		55	6
140090/1		67	6
140097/3		63	24
140098/1		63	25
140099/A		63	23
140100/A		63	27
140100/A		75	14
140101/B		63	28
140103/C		63	30
140113/C		71	4
140114/C		71	3
140118/6		47	21
140119/F		71	2
140120/1		71	6
140121/C		71	7
140122/3		39	36
140126/3		55	5
140133/C		69	10
140134/C		69	11
140144/3		63	21
140149/2		287	41
140160/3	140160	81	1
140165/18		71	9
140168/1		65	33
140177/6		189	26
140178/C		189	28
140184/B		187	8
140185/B		187	9
140186/B		189	31
140189/3	140189/B	179	14
140191/2		87	24
140191/2		113	15

New Part No.	Old Part No.	Page No.	Key No.
140193/B	140193	181	25
140196/D	140196/C	181	22
140202/C		181	20
140206/5		181	15
140206/5	140206	237	12
140247/1		261	7
140247/1		263	15
140248/C		265	2
140278/A		113	12
140290/3		113	6
140293/1		77	18
140293/1		97	10
140293/1		245	13
140293/1		257	15
140297/C		129	2
140299/5		39	37
140302/3		41	12
140302/3		97	9
140302/3		217	45
140302/3		245	12
140304/1		251	8
140311/B		127	9
140316/4		47	11
140321/4		121	20
140327/D	140237	87	23
140330/6		93	6
140331/A		91	36
140331/A	140331	103	12
140332/B		91	35
140332/B	140332	103	11
140333/B		91	38
140333/B		103	10
140334/A		85	13
140335/C	140335/B	85	19
140338/B		91	40
140338/B		185	4
140346/3		119	2
140349/1		121	22
140355/B	140355	167	28
140369/1		89	14

New Part No.	Old Part No.	Page No.	Key No.
140374/B		169	2
140376/2		233	10
140378/C		169	5
140383/3		219	5
140402/C		245	15
140436/3		213	6
140437/1		113	14
140437/1		215	14
140558/B		179	11
140567/5		69	9
140568/2		67	8
140569/C		69	12
140573/A	140573/B	41	6
140573/B		151	6
140599/B		71	5
140606/C		71	8
140751/5		119	5
140752/B	140752/A	121	11
140755/6		89	2
140762/4		255	6
140776/C		35	16
140779/W		73	A1
140799/C		45	10
140867/8		63	26
140936/1		65	32
140938/3		115	22
141055/5		37	23
141056/5		37	22
141058/4		259	30
141061/1		55	6
141061/1		147	4
141061/1		157	8
141061/1		163	16
141061/1	141061	189	36
141061/1		219	6
141061/1		223	6
141061/1		225	13
141061/1	141061	227	4
141061/1		247	22
141061/1		247	29

PART NUMBER INDEX

New Part No.	Old Part No.	Page No.	Key No.
141061/1		249	41
141061/1		249	41
141061/1		267	4
141061/1		283	10
141061/1		285	35
141061/1		287	47
141108/A		235	21
141109/1		165	8
141109/1		229	6
141113/1		229	17
141114/B		235	22
141115/B		229	16
141119/B		229	3
141121/B		229	2
141123/D		235	27
141128/2		235	15
141129/1		235	16
141130/B		233	12
141133/A		165	10
141161/C		199	5
141162/C		199	6
141162/C		285	31
141230/3	141230	253	2
141233/B		253	3
141245/1		113	13
141246/C		115	23
141306/2		153	14
141306/2		177	18
141306/2		189	37
141306/2		245	5
141414/A		187	6
141417/A		187	13
141462/3		83	21
141462/3		157	9
141462/3		225	14
141507/2		213	6
141515/A		137	45
141654/1		215	13
141666/A		43	15
141732/C	145912/A	287	44

New Part No.	Old Part No.	Page No.	Key No.
141733/B	145913/A	287	45
141988/6		81	15
142121/A	142121	81	14
142175/3		165	13
142182/2		215	12
142201/A	142201	61	15
142202/A		61	14
142239/C		169	6
142239/C		187	12
142257/B		91	42
142274/A		219	4
142476/A		81	13
142503/B	142503/A	213	1
142516/B		213	4
142532/B		177	11
142619/A		55	10
142620/A		55	9
142746/B		81	13
142800/B	142800/11	251	6
142856/C		169	15
142858/2		169	12
142867/3	142867	185	3
142876/C		243	2
142882/A		249	43
142964W		29	3
143038/C	143038	169	18
143038/C	143041/C	235	25
143040/C	145910/A	235	24
143042/B		233	3
143078/1		91	29
143079/B		277	14
143131/B	143131	277	12
143132/C		275	11
143133/B		277	13
143133/B		281	13
143134/B		277	15
143144/2		137	55
143144/2		139	2
143144/2		143	40
143180/C		209	31

New Part No.	Old Part No.	Page No.	Key No.
143199/B		93	22
143199/B		109	22
143252/B		275	2
143253/2		275	7
143285/2		61	7
143312/A		199	1
143322/B		199	1
143323/A		199	4
143484/B		151	3
143496/A	143496	79	44
143496/A	143496	151	8
143497/A		149	17
143540/B		223	10
143541/B		219	9
143548/A		155	5
143548/A		223	11
143745/2		93	16
143766/B		125	2
143777/3		287	49
143785M		169	A2
143818/1		181	17
143825/1		181	19
143843/C	110160	221	11
143843/C		223	9
143843/C		255	5
143843/C		263	19
143906/B	143906	181	26
144008/C		237	10
144009/C	140544	237	11
144032/A		285	19
144123/A		161	10
144141/7	144141/4	47	20
144143/2		47	18
144144/1		47	19
144164/1		49	2
144220/3		163	14
144235C		27	1
144235EC		27	1
144286/A		113	8
144287/A		113	13

New Part No.	Old Part No.	Page No.	Key No.
144288/1		47	17
144289/A		45	A2
144349/1		285	25
144352/B		279	5
144357/D		271	A1
144358/B		261	A1
144360/C		265	4
144372/d	144372/B	261	A2
144386/A		231	19
144386/A		233	13
144387/A		233	13
144434/3		45	6
144441/B		69	14
144443/A	146421/A	61	16
144448/3		63	18
144449/4		61	10
144452/A		71	2
144456/C		119	6
144458/3		121	17
144459/B		121	15
144460/1		121	16
144460/1		121	16
144460/1		121	16
144461/1		121	14
144463/A		121	18
144465/C	144465	121	23
144468/B		187	20
144469/A	140895/2	187	21
144471/A		229	14
144472/C		185	5
144480/5		81	15
144481/2		81	16
144495/3		119	4
144498/3		61	11
144499/2		63	18
144519/A		285	26
144524/C		87	32
144526/A		55	10
144528/A		55	9
144552/2		269	1

New Part No.	Old Part No.	Page No.	Key No.
144553/2		269	2
144555/B		211	2
144560EC		29	3
144560EC		31	4
144570/D	144570	235	23
144571/B		165	2
144581/E		179	5
144582/E	144582	179	4
144583/E		179	2
144586/F	144586/E	279	2
144600/A		61	8
144604/B	11947	255	4
144607/A		287	43
144615/B		75	12
144618/C		33	9
144621/A	144621	111	2
144636/A		75	6
144636/A		99	36
144636/A		109	21
144636/A		139	12
144636/A		143	42
144636/A		211	5
144643/A		33	9
144693/D		45	A1
144696/D	140798	47	20
144716/B		75	14
144752/D		111	3
144766/A		253	5
144766/A		253	5
144767/C	801021	255	9
144773/A		59	2
144774/A		59	3
144835/B	801022	257	13
144836/E	140601	61	10
144845/A	144601	91	26
144846/A	144844/A	33	12
144846/A		43	27
144846/A		91	32
144846/A		189	30
144863/A		177	5

PART NUMBER INDEX

New Part No.	Old Part No.	Page No.	Key No.
144864/G		129	1
144865/C		129	1
144883/B		211	1
144915/A		129	4
144917/4		129	1
144920/A		107	17
144920/A		129	6
144921/B		129	3
144922/B		129	5
144933/C		55	8
144943/B		33	13
144944/A		33	11
144946/4		31	4
144981/B		89	21
145015ES		27	2
145020/C		73	3
145022/C		75	7
145025/C		75	8
145033/3		69	13
145037/A		57	12
145037/A		57	12
145047/B		73	1
145061/C		73	5
145089/B		235	18
145090/A		235	17
145103/A		39	35
145105/A		41	1
145106/B		63	20
145107/A		63	20
145108/A		41	2
145109/C		55	4
145112/A		63	21
145116/A		37	27
145117/A		37	25
145118/A		37	26
145119/B	145119/A	41	13
145120/B		39	36
145132/A		233	4
145135/B		251	1
145140/A		29	4

New Part No.	Old Part No.	Page No.	Key No.
145141/2		229	A2
145148/C	145148/A	89	20
145156/B	145156/A	239	22
145157/B		109	24
145159/C	145159/A	241	11
145160/A		241	8
145163/A		113	18
145164/A		129	7
145165/B		129	8
145166/2		111	1
145167/1		111	1
145184/B		113	6
145186/C		253	7
145234/A		91	31
145235/A		91	27
145248/A	111104	95	29
145267/A	142932	279	3
145298/A		199	2
145339/A		87	29
145346/A		87	33
145351/B		29	4
145353/B		45	A1
145357/A		87	28
145368/A		209	26
145370/A		209	29
145370/A	500826	209	30
145373/A	143981	269	4
145374/A	143982	269	5
145375/B	145052	283	1
145377/A	112240	283	3
145406/A		87	29
145407/A		87	29
145408/D	145408/A	199	3
145410/A	143331	193	1
145413/D	145413/B	253	6
145417/A	110210	239	26
145417/B		257	14
145422/A		193	2
145430/D		47	13
145434/A		161	A1

New Part No.	Old Part No.	Page No.	Key No.
145434/B		163	14
145435/C	145435/A	163	14
145438/B		127	9
145439/A		285	30
145446/A		179	1
145448/B		147	1
145455/B		151	2
145456/A		147	2
145459/A	143124	275	1
145464/1		129	1
145475/A		289	15
145476/A		289	16
145484/A		239	30
145485/A		239	31
145510/A		285	38
145552/B		165	9
145552/B		229	7
145553/B		231	18
145554/A	141239	259	25
145556/A		241	2
145575/A		211	2
145585/A	143971	169	1
145660/A		209	29
145662/C		75	16
145680/E	145680/B	253	6
145708/A		103	8
145708/A		251	4
145708/A		255	7
145713/B		199	1
145754/B	142855/A	169	3
145755/B		169	3
145771/A		37	23
145772/A		33	1
145773/A		39	32
145774/A		259	30
145780/B		119	1
145782/A		199	3
145787/C		163	14
145793/A		207	11
145794/A		207	16

New Part No.	Old Part No.	Page No.	Key No.
145850/A		209	26
145851/A		209	27
145855/B	145855/A	257	14
145856/A		257	18
145856/A		257	19
145857/A		257	17
145858/B	145858/A	255	6
145859/A		251	3
145861/A		147	5
145861/A		153	16
145861/A		161	2
145862/A		177	12
145862/A		215	10
145862/A		247	21
145862/A		281	11
145863/A		179	10
145864/A		259	30
145865/A		239	23
145865/A		241	9
145866/A		39	33
145866/A		55	5
145867/A		37	31
145867/A		63	20
145867/A		161	9
145867/A		179	8
145867/A		257	21
145868/A		207	23
145869/A		209	27
145871/A		257	16
145872/B		163	19
145872/B		241	6
145874/A		35	21
145875/A		209	29
145876/A		209	30
145878/A		37	22
145878/A		257	19
145879/A		37	23
145879/A		257	18
145881/A		275	3
145882/A		177	15

New Part No.	Old Part No.	Page No.	Key No.
145882/A		245	7
145884/A		257	14
145901/B		245	17
145910/A		233	A1
145916/D		239	27
145917/A		239	25
145940/B		185	1
145941/B		185	2
145946/A		45	A1
145956/A		83	24
145959/A		117	2
145959/A	560012/A	117	5
145976/B		119	A7
145977/A		121	17
145977/A	550227/A	121	17
145978/A		119	7
145980/B		265	10
145981/C		261	2
145987/A		247	24
146025/A		151	1
146027/A		121	19
146032/A		181	16
146034/C		253	5
146040/A		63	18
146041/A		61	11
146042/A	540074	205	6
146043/A		205	6
146043/A		221	22
146044/A		195	7
146045/A		195	5
146058/A		239	26
146064/A		251	6
146066/C		269	2
146067/c		269	1
146071/A		287	44
146078/B		213	3
146086H		27	2
146100/C	145462/A	253	1
146124/K		255	1
146134/C	146134	279	1

PART NUMBER INDEX

New Part No.	Old Part No.	Page No.	Key No.
146143/B		249	44
146152/A		205	6
146153/A		221	22
146154/A		221	22
146156/c		269	2
146157/c		269	1
146168/B		287	44
146171/C		115	26
146172/C	146172/B	151	4
146173/C		285	29
146197/C		193	1
146197/C		197	18
146198/B		173	A1
146199/b		171	A1
146208/A		259	25
146209/A		259	30
146242/C		285	28
146248/A		199	2
146256/A		229	9
146261/A		33	6
146277/A		83	22
146313/C		189	32
146318/A		147	12
146318/A		153	13
146329/A		289	A2
146330/A		289	A1
146345/A		121	19
146351/B		99	33
146365/A		289	1
146383/B		115	27
146386/A		285	33
146399/A		275	1
146406/A		275	11
146422/c		43	26
146435/A		283	2
146438/A		43	23
146438/D		43	28
146450/B		89	18
146450/B		103	17
146459/A		43	25

New Part No.	Old Part No.	Page No.	Key No.
146501/A		279	2
146503/A		67	4
146504/A		67	3
146524/C		147	1
146529/A		151	1
146534/A	146534	265	1
146540H		27	2
146542/A		241	8
146543/A		239	22
146543/A		241	11
146545/B		53	2
146546/A		111	2
146552/A		67	7
146610/A		181	18
146623/B		73	A1
146623/B		73	1
146640/A		93	14
146641/A		239	22
146641/A		241	11
146642/A		95	24
146642/A		109	24
146653/A		147	3
146660/A		75	15
146660/A		77	27
146661/A		75	17
146682/A		67	2
146683/A		67	1
146694/A		61	10
146695/A		61	10
146705/A		185	2
146706/A		185	1
146707/A		185	2
146708/2		185	1
146714/A	146714/1	103	14
146744/A		59	A1
146748/A		151	11
146756/B		147	1
146762/A		181	24
146767/B	146767/A	261	A1
146768/B		195	3

New Part No.	Old Part No.	Page No.	Key No.
146769/B		193	A1
146770/A		197	21
146771/B		271	A1
146772/B		269	2
146773/B		269	1
146774/B		269	2
146775/B		269	1
146776H		27	2
146777H		27	2
146779/b		261	A1
146780/B		271	A1
146781/B		267	12
146786/A		29	3
146787/B		29	4
146790/B		247	24
146797/A		245	17
146799/A		229	8
146826/C		283	1
146833/A		261	2
146835/A	146835	261	3
146835/A	170403	261	3
146836/A		261	9
146837/a		261	9
146838/a		261	2
146840/a		263	18
146843/B		53	3
146844/A		111	4
146845/B		41	14
146846/A		73	2
146848/A		81	3
146849/A		137	44
146850/A		85	4
146854/B		111	2
146855/A		117	6
146858/A		33	9
146865/C	146865/A	193	A1
146866/B		193	A1
146867/B		193	A1
146875/A		193	1
146920/A		279	2

New Part No.	Old Part No.	Page No.	Key No.
146927/A		41	6
146995/A		153	17
147022/A		211	2
147025/A		43	24
147036/A		281	8
147037/A		281	10
147107/A		199	2
147108/A		119	2
147131/A	146926/A	279	2
147132/A	144994/B	279	2
147135/A		241	8
147150/A	124313/A	235	20
147151/A		169	4
147151/A		233	3
147192/A		49	3
147220/A		161	10
147236/A		49	2
147255/A		279	2
147261/A		281	9
147262/A		281	8
147263/A		281	10
147264/A		281	9
147265/A		281	8
147266/A		281	10
147278/A		189	33
147342/A		209	29
147362/A		199	4
147390/B		255	1
147507/B		229	1
147788/A	143970	169	7
150254/B		179	12
150323/B		93	7
150324/A		165	9
153355/4		177	8
153654/B		233	3
170121/B		187	17
170122/A		187	18
170177/3		85	1
170178/B		85	18
170180/2		99	33

New Part No.	Old Part No.	Page No.	Key No.
170203/B		195	3
170242/A		219	10
170242/A		247	20
170346/B		181	27
170352/A		251	10
170357/B		249	36
170357/B		249	48
170358/C		275	10
170392/1		275	6
170392/1	145402/A	275	A1
170398/A	170398	267	6
170399/A		251	7
170413/D		125	A1
170548/A		113	18
170556/A		199	2
170557/B	170274	199	3
170559/A	170353	283	1
170565/A	170108	193	1
170566/A		193	2
500104/B		41	1
500105/A		39	35
500108/A		151	2
500110/E		43	28
500110/E		153	22
500111/B		55	4
500116/A		57	13
500119/A		53	2
500123/A		57	14
500124/A		37	24
500125/B		37	28
500126/A		41	5
500126/B	500126/A	151	5
500128/B		41	5
500128/B	500128/A	151	3
500130H		27	2
500134H		27	2
500137H		27	2
500138H		29	2
500141/A	500150	29	3
500142/F		29	4

PART NUMBER INDEX

New Part No.	Old Part No.	Page No.	Key No.
500158/A		73	A1
500159/A		73	1
500166/A		69	15
500167/A	814002	69	9
500170/A		29	4
500190/A		43	26
500202/1		49	3
500206/A		49	4
500207/A		51	5
500229/A		45	A1
500240/A	500240	49	1
500241/A		49	2
500291/A		59	1
500292/A		59	A1
500302/3		59	2
500303/2		59	3
500304/B		61	10
500307/A		63	17
500309/B		61	14
500313/B		69	17
500314/D		69	18
500315/C		69	15
500318/A		67	7
500319/A		65	35
500322/A		61	12
500324/A		63	18
500325/A		61	11
500326/B		69	16
500330/A		67	7
500331/A		53	3
500332/B		53	2
500333/B	500333/A	41	14
500334/A		161	7
500335/A		43	19
500339/A		65	35
500347/A		61	13
500352/A		61	16
500356/A		65	36
500357/C	500357	65	37
500402/F	500405	35	18

New Part No.	Old Part No.	Page No.	Key No.
500404/D		35	17
500408/B		55	8
500414/D		73	2
500423/A		55	7
500426/E		55	10
500427/E		55	9
500428/E		71	4
500429/E		71	3
500440/C		33	14
500443/C		35	14
500449/B		35	14
500501/C		35	19
500502/B		35	20
500503/B		43	21
500506/B		199	4
500507/A		43	20
500512/B		73	A1
500513/A		73	1
500600/F		77	22
500600/F		77	32
500601/4	500601/A	79	39
500602/3	500602/A	79	40
500604/A		79	41
500605/1	500605/A	77	34
500606/3		77	35
500608/B		77	33
500612/A		77	36
500613/A		75	10
500614/B		75	8
500616/A		75	11
500616/A		77	30
500617/A		75	13
500618/C		75	16
500619/A		75	15
500621/A		75	9
500622/B		79	43
500624/B		55	11
500625/B		57	12
500628/A	Improved	57	15
500629/D		79	42

New Part No.	Old Part No.	Page No.	Key No.
500630/D		79	37
500631/A		39	36
500632/A		117	1
500633/A		77	19
500635/A		77	31
500637/B		75	14
500711/A		147	12
500712/A		149	14
500719/B		149	15
500804/A		161	7
500809/C	500809	181	24
500820/A		141	1
500821/A		145	43
500822/A		139	3
500822/A		143	39
500823/A	500823	145	47
500823/A		147	13
500824/A		139	14
500824/A		145	44
500829/A		211	9
500880/A		139	13
500904/4	500904	287	43
500905/C		287	42
500910/A		285	30
500912/B		285	23
500915/C		285	32
500917/B		127	11
500919/C		113	7
500923/B		125	4
500940/A	500940	111	3
500947/B	500947	33	7
500953/I	144119	125	1
500958/A	500323	59	A1
500959/E		125	2
500960/D	144030	125	A1
500961/A		115	23
500963/C		113	13
500967/A		127	12
500969/C		127	9
500970/C	500970	279	2

New Part No.	Old Part No.	Page No.	Key No.
500974/B		287	40
500975/A		287	39
500976/B		283	1
502002/A		117	17
502003/A		117	16
502004/B		129	2
502006/A		125	3
502007/A		125	4
502010/B		129	1
502013/A		127	14
502015/A		127	15
502017/A		127	13
502018/B		129	5
502019/A		129	6
502022/B		45	A1
502024/A		283	13
502025/B		111	1
502026/B		285	34
502027/A		283	16
502028/A		111	1
502029/A		111	1
502031/B		105	25
502033/C		111	1
502035/B		125	A1
502039/B		283	3
502041/A		45	A1
502044/A		285	33
502045/B		283	3
502046/A		125	A1
502047/A		125	2
502048/A		125	1
502052/A		45	A1
502053/A		125	A1
502054/A		285	33
502055/A		47	13
502057/A		45	A1
502058/A		125	1
502059/A		125	2
502060/A		129	2
502070/A		47	11

New Part No.	Old Part No.	Page No.	Key No.
502070/A		127	16
502075/B		129	1
510113/H		53	1
510115/F		53	1
510185/a		47	24
510185/B		65	39
510186/E		47	23
510186/E		65	38
510187/A		151	10
510188/F		153	21
510189/G	510189/F	153	12
510190/C	510190/B	153	17
510191/B		151	11
510193/A		151	5
510194/b		151	2
510202/B		49	3
510206/B		49	4
510207/A		51	5
510229/A		45	A1
510240/A		49	1
510241/A		49	2
510251/B		73	2
510252/B		53	2
510253/B		41	14
510254/B		67	7
510271/A		279	2
510277/A		193	A1
510278/A		247	24
510301/C		59	1
510302/A		59	2
510303/A		59	3
510324/A		63	18
510325/A		61	11
510331/A		53	3
510357/C		65	37
510628/A		57	15
510639/A		55	11
510700/C		141	1
510804/A		161	7
510807/E		161	10

PART NUMBER INDEX

New Part No.	Old Part No.	Page No.	Key No.
510904/A		287	43
510946/G		111	1
510958/B		59	A1
520184/I		163	14
521004/F		279	2
521015/B		211	8
521023/B	521023	195	5
521056/A	521056	239	25
521060/D	521060/A	249	40
521061/B		251	6
521063/C		249	45
521065/1	521065	187	22
521066/A		219	2
521066/A		223	2
521067/B		181	27
521072/C	521072/B	215	24
521073/A		217	37
521074/A		217	26
521078/A		239	33
521081/H		213	2
521082/B		213	3
521084/I	521084/H	161	1
521085/B	521085/A	215	25
521086/A		217	46
521087/C	521087	227	6
521088/B		227	5
521089/B	521089/A	227	7
521090/C		275	6
521092/D		157	7
521093/C		157	6
521097/A		289	14
521098/A		161	10
521104/A		289	4
521105/A		289	3
521107/C	521107/B	213	5
521108/C	521108/A	227	1
521111/A		247	23
521112/A		219	3
521112/B	521112/A	223	3
521113/C	801290	213	1

New Part No.	Old Part No.	Page No.	Key No.
521114/B		239	32
521115/B		239	34
521116/D		217	47
521116/D	521116/C	255	4
521117/A		287	44
521120/A		287	45
521129/A		155	4
521130/C	521130/A	237	1
521131/B		183	32
521132/B		183	33
521133/A		183	37
521134/A		183	36
521136/C	550177	97	2
521137/A		161	10
521139/A		197	9
521142/A	521142/A	221	27
521142/A	521142/A	225	21
521143/A		197	10
521144/A		197	11
521146/A		263	24
521151/B		161	4
521152/A		193	1
521153/A		283	1
521158/A		193	2
521159/A		211	2
521161/B		151	2
521162/A		183	35
521166/A		237	10
521169/B		217	48
521171/A		151	1
521172/A		155	5
521173/1		299	10
521173/2		299	11
521177/A		227	9
521178/A		145	45
521178/A		227	10
521183/A		289	16
521185/A		195	7
521186/A		195	8
521200/A		145	46

New Part No.	Old Part No.	Page No.	Key No.
521201/A		197	19
521201/B		197	19
521202/A		197	20
521204/D		275	6
521238/B		155	1
521240/C		151	1
521250/B		267	1
521251/A		193	A1
521258/A		59	A1
521261/B		161	10
521262/A		145	43
521269/A		193	A1
521270/A		193	A1
521271/A		193	A1
521272/B		199	1
521273/A		199	4
521276/A		193	2
521277/A		195	5
521279/A		241	7
540003/A		265	4
540004/A		265	1
540011/B		175	1
540069/B		199	1
540075/A		221	12
540075/A		239	33
540076/A		279	5
540097/B		269	4
540098/B		269	5
540112/A		237	10
540117/A		197	10
540118/A		197	11
540121/A		189	34
540122/A		189	34
550003/D		103	2
550007/C		101	22
550008/B		101	1
550009/C	570596/B	101	23
550010/G		101	4
550011/G		101	15
550012/G		101	6

New Part No.	Old Part No.	Page No.	Key No.
550013/C		101	7
550017/A		97	18
550017/A		97	21
550018/A	550018	97	17
550023/E		101	3
550026/C		119	2
550029/C		97	20
550030/C		101	13
550030/C		117	10
550032/A	550032	103	13
550039/A		97	13
550040/B		101	14
550042/B		103	1
550046/C		107	6
550047/E		107	8
550048/B	550048	107	10
550049/B		107	9
550050/B		107	7
550051/B		107	3
550055/G		123	25
550061/B		99	23
550061/B		131	11
550063/B		105	26
550067/E	550067/C	103	22
550068/B		103	21
550070/D	550070/C	105	24
550072/B		103	20
550073/A		105	27
550075/A	550075	101	19
550078/A		101	9
550080/C		105	29
550081/C		101	12
550082/C	550082/B	101	20
550083/B		101	21
550084/A		105	28
550085/C		97	5
550086/A		97	7
550089/E		99	27
550090/C		101	11
550091/C		101	8

New Part No.	Old Part No.	Page No.	Key No.
550092/B	550237/B	99	29
550094/B	550094/A	103	3
550094/B	550094/A	107	11
550094/C	550094/B	117	3
550096/B		107	15
550102/A		99	24
550102/A		115	25
550102/A		131	10
550111/A		97	12
550116/A		111	5
550119/B		101	17
550122/A		99	35
550123/A		99	34
550124/G		97	8
550125/C		97	19
550126/C		99	37
550128/C		99	37
550130/B		99	40
550131/A		99	39
550132/C		99	38
550133/A		97	15
550144/E		99	31
550154/B		33	9
550178/D	550178/C	101	18
550187/B		107	4
550190/C		111	4
550191/A		99	26
550194/C	550194/B	107	18
550197/A		105	30
550198/A		105	31
550200/F	550201	97	A2
550228/A		121	18
550230/A		121	14
550232/B		107	14
550233/A		107	1
550234/B		111	4
550242/A		33	9
550243/A		111	4
550244/A		107	1
550245/B	550245/A	107	14

ROYAL ENFIELD

Royal Enfield (A unit of Eicher Motors Limited) Thiruvottiyur High Road, Thiruvottiyur, Chennai - 600 019.
Ph: +91 44 4223 0400 Fax: +91 44 4201 1719 Email: customerservice@royalenfield.com www.royalenfield.com