



YOUR **HIGHNESS**
HAS ARRIVED



CB is the Answer

The dreams we all have about motorcycles.

That's been our pursuit over the years.

**And what we have achieved, is the history of the evolution of CB,
a motorcycle that has always been alongside our customers.**

**Performance, technology, and unrivalled reliability – this is where we've
devoted every bit of passion and wisdom.**

We think that's why CB evokes emotion and brings so much joy.

**The ambition and pride to meet the desire of riders
are contained in this motorcycle.**

And we're not going to stop.

CB is the answer to your dreams.





The whole world knows the might and prowess of the brand CB. To carry forward this legendary legacy in India, the H'ness CB 350 is here, a majestic motorcycle which is a perfect blend of advanced new world features and the classic old-world charm.

Spot-on to its title, the build quality & performance of the H'ness exudes dignity & honour in every sense. Its massive shaped design radiates true royalty and its evergreen style is a manifestation of Honda's originality.

The exhaust note of the H'ness CB 350 produces a roaring thump that announces its arrival, even from far away. It comes with many first-in-segment features like Honda Smartphone Voice Control system(HSVCS), Honda Selectable Torque Control(HSTC), Real time mileage, Assist and Slipper clutch etc. along with host of other features.

Its unmatched performance, advanced technology and unrivalled reliability makes it a perfect example of fine Japanese craftsmanship. H'ness CB 350 is more than just a motorcycle, it is an experience that should be had on breathtaking terrains across India. So, let's bring the red carpets out to welcome the newest majesty in town because Your Highness has arrived!



MASSIVE AND SHAPED

**DUAL TONE FUEL TANK
WITH A BOLD Honda EMBLEM**

Massive dual tone fuel tank with a bold Honda Emblem provides a heritage inspired look that is bound to attract attention of the people around you.



**THE MAJESTIC
OVERALL DESIGN**

Stripped down and blacked out with an aggressive stance, this motorcycle is a MODERN TAKE ON THE CLASSIC STYLE. The massive shaped design of H'ness CB 350 radiates true royalty and its evergreen style is a manifestation of Honda's originality.



MASSIVE AND SHAPED



FULL LED
HEADLAMP AND
TAILLAMP WITH
RING TYPE WINKERS **1ST**
IN SEGMENT

Exclusively designed Full LED Headlamp and Taillamp with Ring Type Winkers add to the style quotient of this motorcycle and gives it a true royal look.





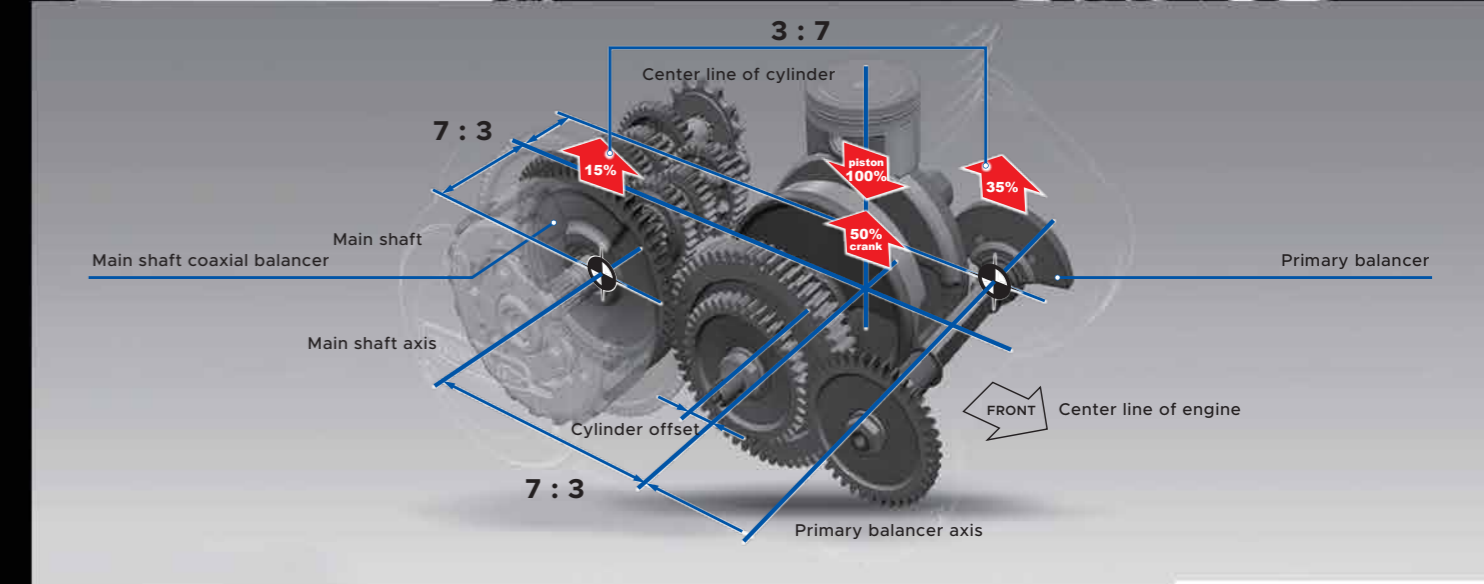
MASSIVE AND SHAPED

POWERFUL 350cc ENGINE

Keeping in mind that the rider should always feel the joy while riding his motorcycle in different riding conditions from daily use to long distance touring, Honda has developed an all new 350cc Air cooled, 4 Stroke OHC single cylinder engine which provides smooth acceleration without vibration across the rpm band.

MAIN SHAFT COAXIAL BALANCER

H'ness CB 350 uses a weight that has been added on the main shaft located in the rear of cylinder to balance the position and mass with the balancer shaft located in the front of the cylinder to eliminate vibrations.



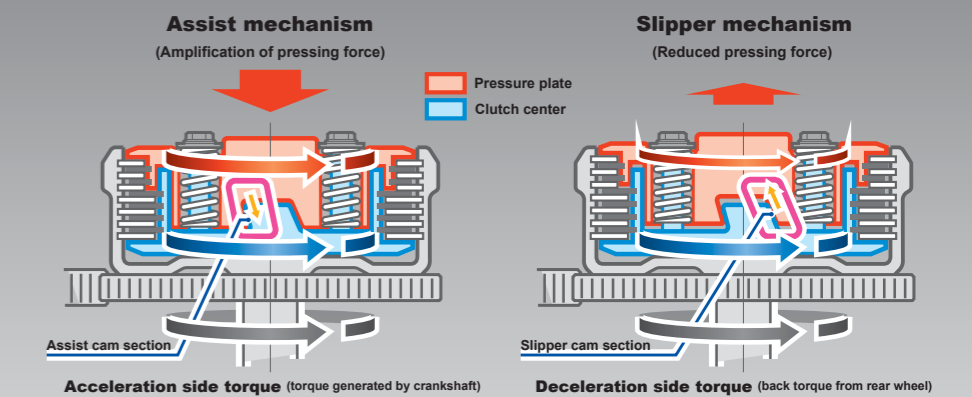


ROARING EXHAUST NOTE

The exhaust system of the H'ness CB 350 carries a large tail pipe of diameter 45mm to optimize balance with muffler capacity for producing a bold low-pitched sound. A single one-chamber structure has been adopted in the expansion chamber, leading to sharpness of the sound coming out of the exhaust. As a result, H'ness CB 350 emits crisp throbs that result in a rich and thumpy exhaust note. Also, a double layered structure prevents exhaust pipes from thermal discoloration, maintaining the overall visual appeal of the motorcycle.

ASSIST AND SLIPPER CLUTCH **1ST** IN SEGMENT

H'ness CB 350 is equipped with an assist slipper clutch which provides an assist function for the clutch operations with a clutch lever requiring less load compared to a regular clutch mechanism. The slipper function reduces unpleasant shocks caused by sudden engine braking when downshifting, ensuring less fatigue and more comfort during a variety of rides that involve frequent shifting.



1ST
IN SEGMENT

AVERAGE MILEAGE

It displays average mileage based on the history of riding pattern and condition.

REAL TIME MILEAGE

It displays live fuel efficiency

BATTERY VOLTAGE METER

Now no need to worry about the battery getting discharged, just one look at the meter will give the battery voltage information of your motorcycle.

GEAR POSITION INDICATOR

Gear position indicator provides you information about which gear you are riding in, greatly increasing the convenience to choose the appropriate gear in long distance touring.

DISTANCE TO EMPTY

It displays the distance it can travel with remaining fuel in tank.



1ST
IN SEGMENT

Honda Selectable Torque Control(HSTC)

H'ness CB 350 is equipped with first-in-segment Torque control system which supports the rider to mitigate rear wheel slip caused by abrupt throttle grip operations providing the rider a sense of security while riding in different conditions.

Honda Smartphone Voice Control system(HSVCS)

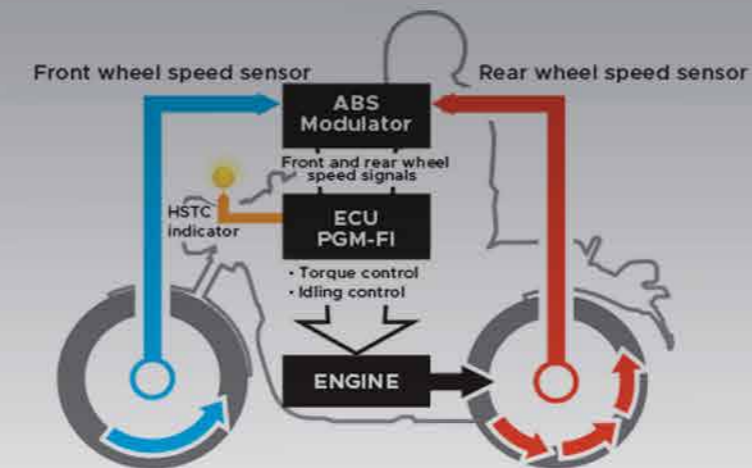
H'ness CB 350 is equipped with a complete Bluetooth ecosystem which facilitates the rider with seamless information exchanges in daily life.

- CALLS
- MUSIC
- MESSAGE
- NAVIGATION
- WEATHER

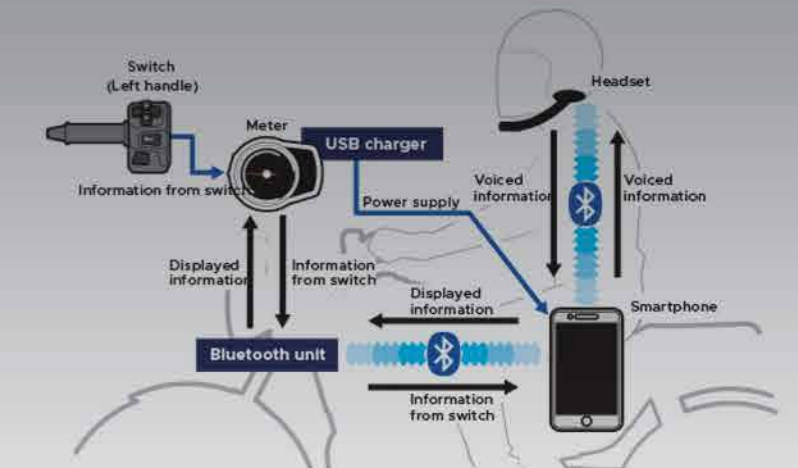
- Honda Smartphone Voice Control system offers sophisticated riding interface installed on your smartphone which supports major features such as Navigation, Music playback, Phone calls and Incoming messages.
- Riders can toggle through the information using buttons on the left side of the handlebar which will change function as per the feature accessed and the information will be communicated through the headset*.

*Headset is sold separately

Honda Selectable Torque Control(HSTC)



Honda Smartphone Voice Control system(HSVCS)



ADVANCE



ADVANCE

DUAL CHANNEL ABS

H'ness CB 350 is equipped with Dual Channel ABS, a front 310mm large disc brake together with 240mm rear disc brake. It prevents wheels from locking up when brakes are applied in an emergency situation, which helps the rider to keep the motorcycle always under control.



**FRONT 7 Y-SHAPED ALLOY WHEEL
WITH 100/90-19 TUBELESS TYRE**

The front 7 Y-Shaped alloy wheel of H'ness CB 350 gives it a distinctive modern look and the 100/90-19 tubeless tyre provides greater stability in different riding conditions.

GEOMETRY



**WIDER REAR
130/70-18 TUBELESS TYRE**

The wider rear 130/70-18 tubeless tyre provides a lowered stance with an improved overall road grip of the motorcycle.

ENGINE START/ STOP SWITCH **1ST** IN SEGMENT

H'ness CB 350 is equipped with Engine Start/Stop switch for added convenience. Now rider can start and stop the engine with the flick of the same switch.

HALF DUPLEX CRADLE FRAME

- The half duplex cradle frame in steel pipe is used for a soft steering feel.
- The load allocated to the front is optimized by mounting the engine at low position to lower the center of gravity, which immensely impacts the overall riding feel and maneuverability/handling of the motorcycle.

SIDE STAND WITH ENGINE INHIBITOR **1ST** IN SEGMENT

Now no need to look down to check your side stand, just take a glance on your meter which will give you complete information. Additionally, the inhibitor function restricts the engine from starting if the side stand is down.

HAZARD SWITCH **1ST** IN SEGMENT

Flashing indicator lights, an important safety feature for emergency stops & low visibility conditions.



COMFORT

TECHNICAL SPECIFICATIONS⁺



DLX

PRECIOUS RED METALLIC



PEARL NIGHT STAR BLACK



MATTE MARSHAL GREEN METALLIC



DLX PRO

PEARL NIGHT STAR BLACK WITH SPEAR SILVER METALLIC



ATHLETIC BLUE METALLIC WITH VIRTUOUS WHITE



MATTE STEEL BLACK METALLIC WITH MATTE MASSIVE GREY METALLIC



BODY DIMENSIONS

Length	2163mm
Width	800mm
Height	1107mm
Wheel Base	1441mm
Ground Clearance	166mm
Kerb Weight	181Kg
Seat Height	800mm
Fuel Tank Capacity	15L

ENGINE

Type	4 Stroke, SI Engine
Displacement	348.36cc
Max Net Power	15.5kW @ 5500 rpm
Max Net Torque	30N-m @ 3000 rpm
Fuel System	PGM-FI
Bore x Stroke	70mm X 90.5mm
Compression Ratio	9.5:1
Starting Method	Self

TRANSMISSION

Clutch Type	Multiplate Wet Clutch
No. of Gears	5 Gears

ELECTRICALS

Battery	12V, 6.0 Ah
Headlamp	LED, DC

FRAME & SUSPENSION

Frame Type	Half Duplex Cradle
Front Suspension	Telescopic
Rear Suspension	Twin-Hydraulic

TYRES & BRAKES

Braking System	Dual Channel ABS
Tyre Size & Type (Front)	100/90-19M/C 57H
Tyre Size & Type (Rear)	130/70-18M/C 63H
Brake Type & Size (Front)	Disc 310mm
Brake Type & Size (Rear)	Disc 240mm

Features	DLX PRO	DLX
Honda Selectable Torque Control (HSTC)	✓	✓
Honda Smartphone Voice Control system (HSVCS)	✓	✗
Colours	Dual Tone	Single Tone
Horn	Dual Unit	Single Unit
Full LED Headlamp and Taillamp with Ring Type Winkers	✓	✓
Assist and Slipper Clutch	✓	✓
Side Stand with Engine Inhibitor	✓	✓
Distance to Empty/Average Mileage/Real Time Mileage	✓	✓
Battery Voltage Meter	✓	✓
Gear Position Indicator	✓	✓
Engine Start/Stop Switch	✓	✓
Hazard Switch	✓	✓



Other Honda Shield Products**
Annual Maintenance Contract
Road Side Assistance
Engine Health Assurance

⁺The technical specifications and design of the vehicle may vary according to the requirements and conditions without any notice • H'ness CB 350 meets Bharat Stage VI norms • Product shown in the picture may vary from actual product available in the market • All features and colours may not be part of all variants • **Conditions apply • *Creative visualisation • Riding shots are shot in a controlled environment under expert supervision.

Honda BigWing
—EXCITES THE WORLD—

Honda Motorcycle and Scooter India Pvt. Ltd.,

Registered Office: Commercial Complex II, Sector - 49-50, Golf Course Extension Road, Gurugram - 122018 (Haryana), India

Customer Care: customercare@honda2wheelersindia.com **Website:** www.hondabigwing.in

Follow us on:



Honda BigWing India



BigWingIndia