



HILUX | **ADVENTUROUS. ACCOMPLISHED.**
Awesome

www.toyotabharat.com



Scan to view E-brochure

Exterior features shown are not standard items and are available as Toyota Genuine Accessories items. Few accessories and attachments other than Toyota Genuine Accessories shown here are for purely for visual presentation and are not manufactured by TKM. TKM accepts no liability for any errors or omissions, on behalf of third parties. Hilux is a NI category vehicle and will come with reflective strips in the front & rear of the vehicle. Actual features and specifications of the vehicle may vary from the visuals shown herein. TKM reserves the right to alter, add or remove any feature and/or specification, without prior notice.

<https://www.facebook.com/ToyotaIndia/> https://www.twitter.com/Toyota_India/ <https://www.instagram.com/toyota.india/> <https://www.youtube.com/user/Toyotaindia> [+91 4071781588](https://wa.me/914071781588)



HILUX
LIVE A RICHER LIFE

*You live many lives. Sign up for many roles.
And you always look beyond the road ahead.
With a desire to get more out of life.*

*Be it city roads or mountain trails, the incredibly
powerful and capable Toyota Hilux is here to take
it all in its stride - A 4X4 like no other.*

HILUX

**ADVENTUROUS.
ACCOMPLISHED.**
Awesome



Tonneau cover shown here is purely for visual presentation and are not manufactured by TKM.

THE HILUX LEGACY.

1968



1972



1978



1983



1988



1997



2004



2015



2022



The Hilux made its entry about five decades ago and hasn't looked back ever since. The first Hilux was born in **1968**, the year before humankind took its first steps on the moon. Through the years, the Hilux aged gracefully, holding a formidable reputation of toughness, power, luxury, and performance. The Hilux has sold over **20 million** units and has left its footprint in more than **180 countries**.

For over **5 decades**, through 8 generations, the Toyota Hilux has been called - invincible, unbeatable, indestructible, tough, robust, a business partner and even a family member. It has won awards, conquered peaks and most importantly, captured hearts. The car stayed true to its **QDR - Quality Durability and Reliability**, improving it with every generation.

Fifty years is a long time to build any legacy, and the Hilux kept adding more and more stories that made its journey richer. The all-new Toyota Hilux is truly an experience and has now come to India, to make a statement of **Power, Sophistication and Durability** on Indian soil. The Toyota Hilux is a vehicle that's built with world-class engineering, enhanced safety, advanced technology, and best-in-class comfort to make life infinitely richer. This is a 4X4 that feels at home anywhere on the planet. A car that's designed to take you wherever you wish to go.



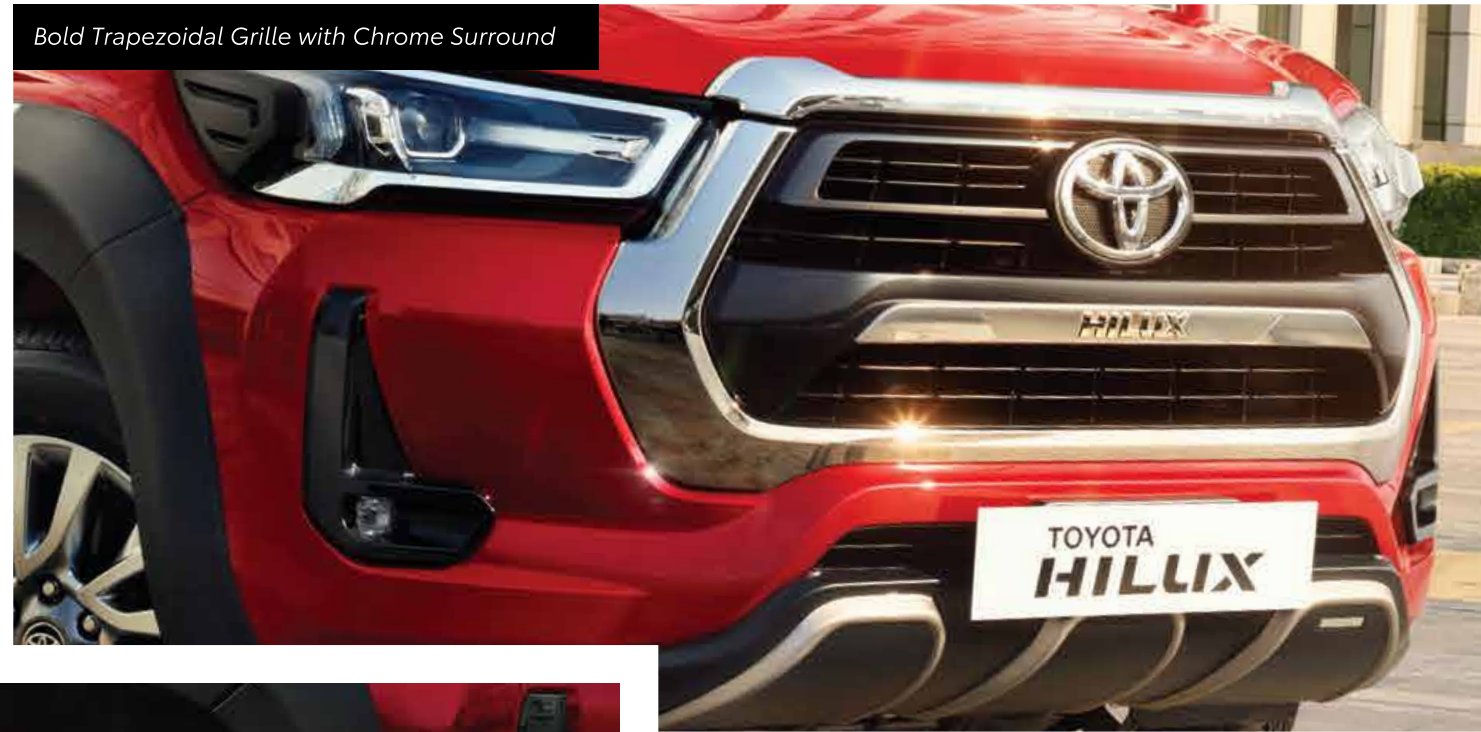
From pinstripe suits to khakis.
 You sport many looks.
 Here's a machine, made for
 someone like you.

HILUX | *Awesome*
**ADVENTUROUS.
 ACCOMPLISHED.**



Canopy & Awning shown here are purely for visual presentation and are not manufactured by TKM.

EXTERIOR FEATURES



THE BOLD LOOK. TO MAKE YOU FEEL RICHER.

An icon. A statement. A style like no other. Toyota Hilux - makes every drive

Awesome



Few exterior features shown are not standard items and are available as accessories.

POWERFUL PERFORMANCE.
THAT MAKES YOUR
DRIVE *Awesome*

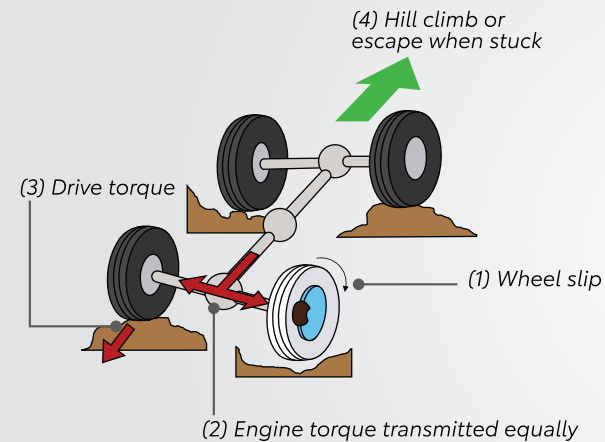
*Powerful. Resilient. Adventurous. Here's
a 4X4 like no other. Takes on any road or
no roads with the same ease.*

HILLIX
LIVE A RICHER LIFE

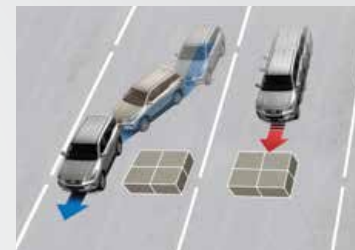


Water wading capacity of up to 700mm (27.5") deep.

Electronic Differential Lock



Electronic Drive Control



Downhill Assist Control (DAC)

- Active Traction Control (A-TRC)
- Auto Limited Slip Differential

4X4 Features

6-Speed Diesel AT

500 Nm TORQUE

204 PS POWER

Also available in 6-Speed Diesel MT



Engine & Transmissions [AT & MT]



Rigid Frame Structure



**LUXURIOUS INTERIORS.
TO MAKE YOU FEEL RICHER.**

*Plush. Luxurious. Safe. Lets you stay
connected to the world outside.*

*Toyota Hilux - Safe, Comfortable and **Awesome***



7 SRS Airbags



Hill Start Assistance Control



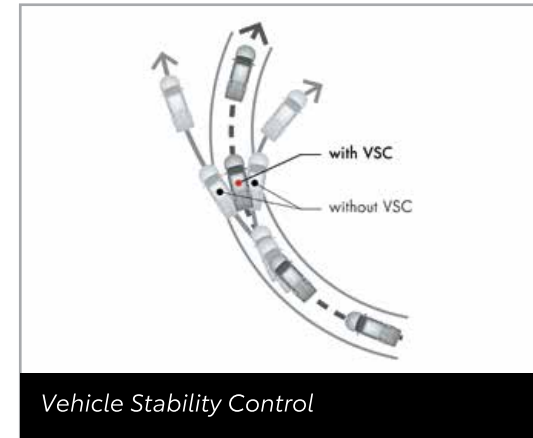
8" Smartphone Connected Display Audio



Front Parking Sensors with MID Indication



Dual Zone Auto AC



Vehicle Stability Control



A TRUNK TO CARRY YOUR
WORLD. THAT MAKES
YOUR LIFE MORE

Awesome

*Lavish. Extravagant. Comes with the space
to take your world wherever you go.*

*Toyota Hilux - for awesome journeys
driven by the heart.*



EXCLUSIVE ACCESSORIES



Tonneau cover shown here is purely for visual presentation and are not manufactured by TKM.



**BEST-IN-CLASS ACCESSORIES.
FOR AN AWESOME EXPERIENCE.**

Stylish. Smart. Convenient in every way. Toyota Hilux comes with a range of accessories that make you look dapper. Every single time.

Toyota Hilux - comfortable and

Awesome

Stylish Bar & Overfender



AN UNBELIEVABLE EXPERIENCE THAT COMES
 WITH *Awesome* VALUE-ADDED SERVICES



QUALITY & SERVICE

UNMATCHED WARRANTY*

3 years / 100 000 km

FOR YOUR PEACE OF MIND



UP TO 5 YEARS / 1,50,000 km*



Express maintenance within 60 minutes at all Toyota dealerships.

279 | **344** | **276**

SALES OUTLETS | SERVICE CENTRES | TOUCHPOINTS ACROSS CITIES

Toyota network as on 1st Jan 2022.

* T&C apply.

CARE & CONVENIENCE SERVICES



Avail roadside assistance up to 8 years ownership anywhere, anytime. With free assistance for the first 3 years.



A network of 300+ world-class service centres.



Available on Google Play and App Store

JUST GIVE A MISSED CALL TO **83676 83676**



Toyota brings to you Smiles Packages which ease your car maintenance.

ADDITIONAL BENEFITS



BUY-SELL- EXCHANGE ANY BRAND OF CAR AT TOYOTA U TRUST

Toyota U Trust offers transparent & reliable pre-owned car experience. Add the Toyota assurance to your deal and you know you get more than a deal, you get peace of mind. **To know more, visit: www.toyotaustrust.in**



A one-stop financial destination with the choicest options for those who want to own their dream Toyota vehicle. **To know more, visit: www.toyotafinance.co.in**

TECHNICAL SPECIFICATIONS

MODEL	STD MT	High MT	High AT
DIMENSIONS & WEIGHT			
Overall [L X W X H]	5325mm X 1855mm X 1815mm		
Wheelbase	3085 mm		
Min. Turning Radius	6400 mm		
Fuel Tank Capacity	80 litres		
Seating Capacity	5-seater		
Gross Vehicle Weight	2910 kg		
Payload Capacity	435 kg		
ENGINE			
Fuel Type	Diesel		
Displacement	2755 cm ³		
Cylinder Nos. & Layout	4 & Inline		
Max. Output	150 kW [204 PS] (MT) @ 3400 rpm	150 kW [204 PS] @ 3000-3400 rpm	
Max. Torque	420 Nm (MT) @ 1400 - 3400 rpm	500 Nm @ 1600 - 2800 rpm	
CHASSIS			
Front Suspension	Double Wishbone		
Rear Suspension	Leaf spring rigid axle		
Brake Front & Rear	Front: Ventilated Discs; Rear: Drum		
Tyre	Bridgestone, 265/65R17 112S, Radial, Tubeless	Bridgestone, 265/60R18 110H, Radial, Tubeless	
Stabilizer	Front Pitch & Bounce Control		
TRANSMISSION	Transmission 6MT with iMT [Intelligent Manual Transmission]	Transmission 6MT with iMT [Intelligent Manual Transmission]	6AT [Sequential Shift + Shiftlock]
DRIVE TYPE	4WD Auto Limited Slip Differential		

Exterior features shown are not standard items and are available as Toyota Genuine Accessories items. Few accessories and attachments other than Toyota Genuine Accessories shown here are for purely for visual presentation and are not manufactured by TKM. TKM accepts no liability for any errors or omissions, on behalf of third parties. Hilux is a NT category vehicle and will come with reflective strips in the front & rear of the vehicle. Actual features and specifications of the vehicle may vary from the visuals shown herein. TKM reserves the right to alter, add or remove any feature and/or specification, without prior notice.

FEATURES

SAFETY & SECURITY

- VSC [Vehicle Stability Control] with BA [Brake Assist]
- HAC [Hill Assist Control]
- 7 SRS Airbags**
- Anti-theft Alarm
- Front Seats: WIL Concept Seats [Whiplash Injury Lessening]
- Child Restraint System: ISOFIX + Tether Anchor on 2nd Row
- Front Row Seat-belts with Pretensioner + Force Limiter
- ABS
- Speed Auto Lock
- Impact Absorbing Structure
- Emergency Brake Signal

EXTERIOR FEATURES

- New design Front Bumper W/ Piano black accents
- SMART Entry and Push Start/Stop
- Chrome-plated Door Handles
- LED Front Fog Lamp
- Rear Fog Lamp
- Aero-stabilising Fins on ORVM Base and Rear Combination Lamps

STD MT

Dusk Sensing Halogen headlamps W/Integrated LED turn indicators	Dusk Sensing LED Headlamps with LED Daytime Running Lamp W/ Integrated LED turn indicators
Halogen Rear Combination Lamps	LED Rear Combination Lamps
Bold New Trapezoid-shaped grille with Silver surround	Bold Piano Black Trapezoidal grille with Chrome surround
STEEL STEP PAINT Rear Bumper	STEEL STEP CHROME Rear Bumper
Machine finish alloy wheels	Super Chrome alloy wheel design
Electrically Adjustable, with Side turn indicators	Chrome, Electrically Adjustable, Retractable Side Mirrors with Side Turn Indicators
-	Chrome Beltline

HIGH MT AND HIGH AT - DIESEL

INTERIOR FEATURES / COMFORT & CONVENIENCE

- Cabin wrapped in Soft Upholstery & Metallic Accents
- Heat Rejection Glass
- Cruise Control
- Large TFT Multi-information Display
- New Optitron Metal Tone Combimeter with Chrome Accents and Illumination Control
- Audio, MID, Tel, Voice Recognition Switches on Steering Wheel
- Tilt & Telescopic Steering Column
- Electrochromic Inside Rear View Mirror
- 8.0" DA Touch Screen Audio with Capacitive Switches [BT, USB, Android Auto / Apple CarPlay]
- 6 speakers
- Power Windows: All Windows Auto Up/Down with Jam Protection
- Cooled Upper Glovebox
- Driving Modes: ECO, PWR Mode
- 2nd Row: 60:40 Split & Tip-up
- Park Assist: Back Monitor, Front and Rear Sensors with MID Indication
- Power Steering with VFC (Variable Flow Control)

STD MT - DIESEL

HIGH MT AND HIGH AT - DIESEL

Manual Air-conditioner	Automatic Climate Control Air-conditioner [Dual Zone] with second row AC vents
Fabric Seats	Leather Seats
	Chrome-plated Inside Door Handles
Centre Console Box with Lid	Centre Console Box with Soft Armrest
Manual Adjust Driver Seat	Power Adjust Driver Seat

OFF-ROAD FEATURES

- Tough Frame with exceptional Torsional and Bending Rigidity
- 4WD with High [H4] and Low [L4] Range
- DAC [Downhill Assist Control]
- A-TRC [Active Traction Control]
- Electronic Drive [2WD/4WD] Control
- Electronic Differential Lock
- Approach/Departure Angle: 0.51 rad/0.46 rad

COLOURS



EMOTIONAL RED*

WHITE PEARL
CRYSTAL SHINE*

SILVER METALLIC*

SUPER WHITE**

GRAY METALLIC

* Only available in High Grade. ** Only available in STD grade.