



WIRELESS CHARGER

OWNERS MANUAL



Please read this manual for proper operation and keep it for future reference.



TABLE OF CONTENTS

WIRELESS CHARGER

| Section | Title | Page |
|---------|---------------------|------|
| 1.0 | Warning | |
| 2.0 | Product Description | |
| 3.0 | User Instruction | |
| 4.0 | Precaution | |
| 5.0 | Notice | |

Please read this manual for proper operation and keep it for future reference.


TOYOTA**SECTION 1.0****Warning**

When charging a portable device while driving, for safety reasons, the driver should not operate the portable device.



People with implantable cardiac pacemakers, cardiac resynchronization therapy pacemakers or implantable cardioverter defibrillators, as well as any other electrical medical device, should consult their physician about the usage of the wireless charger. Operations of the wireless charger may have an affect on medical devices.



Observe the following precautions. Failure to do so may result in the possibility of fire, equipment failure or damage, or burns due to heat.

- Do not put any metallic object between the charging area and the portable device while charging.
- Do not attach metallic objects, such as aluminium stickers, to the charging area.
- Do not cover the wireless charger with a cloth or other object while charging.
- Do not attempt to charge portable devices which are not compatible with the Qi wireless charging standard.
- Do not disassemble, modify or remove the wireless charger.
- Do not apply force or impact to the wireless charger.



SECTION 2.0

Product Description

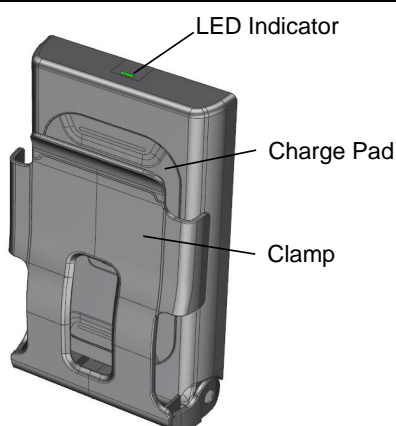


Figure 2.0: Wireless Charger

A portable device, such as a smartphone or mobile battery, can be charged by just placing it on the charging area, provided the device is compatible with the Qi wireless charging standard created by the Wireless Power Consortium.

The Wireless Charger (WLC) cannot be used with a portable device that is larger than the charging area. Additionally, depending on the portable device, the wireless charger may not operate properly.

| | |
|-------------------------------|-------------------------------|
| Input Voltage | DC9V~16V |
| Maximum Output Current | Max 2.0A |
| Maximum Output Power | Max 15W |
| Operating frequency | 120kHz – 127kHz (With load) |
| | 80kHz – 150kHz (Without load) |
| Support Android Fast Charging | Yes |
| Support iOS Fast Charging | Yes |
| Protection | Short Circuit |
| | Foreign Object Detection |
| | Over Temperature |
| | Over Load |

Table2.0: Specification



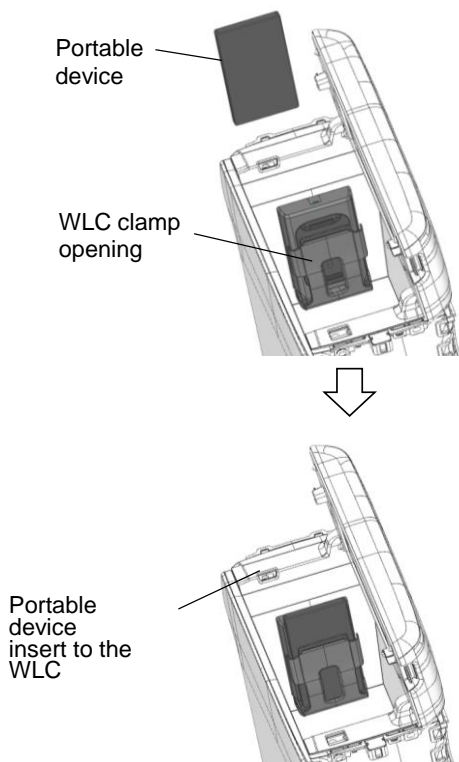
SECTION 3.0

User Instruction

- i- The WLC will automatically turn ON after 4 seconds when the car ignition is ON. The LED charging indicator will turn **Green** during Standby mode.
- ii- Slip the portable device into the WLC clamp opening and make sure it is aligned properly to the center of the charging pad.
- iii- The LED Charging indicator light will change to **Amber** once the charging begins. After the charging is complete, the **Amber** light will change to **Green**.

Recharging function

- If a certain amount of time has elapsed since charging completed and the portable device has not been moved, the wireless charger will restart charging.
- If the portable device is moved within the charging area, charging will stop temporarily then restart



| LED Charging indicator | | Status |
|------------------------|-------|--|
| Pattern | Color | |
| No light up | - | - WLC system is Off |
| Light up | Green | - WLC system is On (Standby Mode) - Charging is complete |
| Light up | Amber | - Portable device is placed on the WLC & charging |
| Blinks | Amber | - Detect foreign object by the WLC - Portable device has gap with the WLC - Portable device is not placed correctly on the WLC - Temperature of the WLC is too high |

Table 3.0: Operational Indicator

Figure 3.0: Console Box area


TOYOTA

SECTION 4.0

Precaution

- Always remove foreign objects from the charge pad before charging the portable device.
- Be sure the surface of charge pad is clear of dust and other debris before charging.
- Do not spill liquids (i. e. water, drinks, etc.) on the WLC
- Do not use oil, grease, alcohol, benzine or thinner to clean the charge pad.
- Do not cover the WLC with towel, cloth, or other objects while charging.
- Avoid spraying aerosols which may come in contact with the charge pad surface.
- Do not charge a portable device if a cover or accessory which is not Qi compatible is attached. Depending on the type of cover and/or accessory attached, it may not be possible to charge the portable device. If the portable device is placed on the charging area and does not charge, remove the cover and/or accessories.
- While charging, the wireless charger and the portable device will become warm. This is not a malfunction. If a portable device becomes warm while charging and charging stops due to the protection function of the portable device, wait until the portable device cools down and charge it again.

SECTION 5.0



Notice

- Charging will be automatically OFF when car ignition is OFF.
- Portable devices compatible with the Qi wireless charging standard can be charged by the wireless charger. However, compatibility with all devices which meet the Qi wireless charging standard is not guaranteed.
- In the following situations, the wireless charger may not operate correctly:
 - When a portable device is fully charged
 - When there is a foreign object between the charging area and portable device
 - When a portable device becomes hot while charging
 - When a portable device is placed on the wireless area with its charging surface facing up
 - When a portable device is not centred on the charging area
 - When the vehicle is near a TV tower, electric power plant, gas station, radio station, large display, airport or other facility that generates strong radio waves or electrical noise
 - When the portable device is in contact with, or is covered by any of the following metallic objects:
 - * Cards to which aluminium foil is attached
 - * Cigarette boxes that have aluminium foil inside
 - * Metallic wallets or bags
 - * Coins
 - * Metal hand warmers
 - * Media such as CDs and DVDs