

TELCOLINE 2.2L DICOR LHD
(PARTLIST)

FEBRUARY 2008

PRELIMINARY REMARKS

This list comprises of parts for Engine, Gear Box, Chassis Parts and Sheet Metal Parts of the under mentioned vehicle

CHASSIS TYPE	VC NO	VARIANT DESCRIPTION	VARIANT DETAILS	ENGINE TYPE
347 506	28266428000L	TL,4X2,SC,2.2L,HD,LB,E-IV	TELCOLINE FACELIFT, SINGLE CAB, 4X2, LHD, 2.2L DICOR ENGINE, WITH LOADBODY, 2825 MM W.B., HEATING & DEMISTING, EURO-IV, EEC, EXPORT.	2.2L DICR EURO-IV
374 508	28266531000L	TL,4X2,SC,2.2L,HD,W/O-LB,E-IV	TELCOLINE FACELIFT, SINGLE CAB, 4X2, LHD, 2.2L DICOR ENGINE, W/O LOADBODY, 3150 MM W.B., HEATING & DEMISTING, EURO-IV, EEC, EXPORT.	2.2L DICR EURO-IV
374 536	26533428000L	TL 4X4 SC 2.2 L HD LB E-IV	TELCOLINE FACELIFT, SINGLE CAB, 4X4, LHD, 2.2L DICOR ENGINE, WITH LOADBODY, 2825 MM W.B., HEATING & DEMISTING, EURO-IV, EEC, EXPORT.	2.2L DICR EURO-IV
374 558	28304131000L	TL,4X2,CC,2.2L,ACHD,LB,E-IV	TELCOLINE FACELIFT, CREW CAB, 4X2, LHD, 2.2L DICOR ENGINE, WITH LOADBODY, 3150 MM W.B., AC - HEATING & DEMISTING, EURO-IV, EEC, EXPORT.	2.2L DICR EURO-IV
374 557	27214631000L	TL,4X4,CC,2.2L,ACHD,LB,E-IV	TELCOLINE FACELIFT, CREW CAB, 4X4, LHD, 2.2L DICOR ENGINE, WITH LOADBODY, 3150 MM W.B., AC - HEATING & DEMISTING, EURO-IV, EEC, EXPORT.	2.2L DICR EURO-IV

INSTRUCTIONS

Refer Variant Table Matrix for correct applicability

The designation "Left and Right" as well as "Front" and "Rear" refer to the driving direction

The indication "First", "Second" (e.g. Cross member of frame) are counter from the radiator side

The word "Optional" in the remarks column against an item having two or more part numbers indicates that depending on availability, the item will be supplied under any one of these part numbers

The designation "AR" in column "Quantity" stands for "As Required"

The illustrations of parts of the table are only for easy reference and they may not be exact replica of the part.

The parts fitted on the vehicle are subject to modification without prior notice.

This is a publication of the Parts Head Quarters of the TATA MOTORS LIMITED.

Any Correspondence relating to this Parts List be made to:

**Technical Cell
Tata Motors Ltd.,
Parts Head Quarters,
Teen Hath Naka,
Gyan Sadhana College Service Road,
Thane-400 604.**

INTRODUCTION

WHEN ORDERING PARTS, PLEASE INDICATE

Chassis Type and Chassis Number

Engine Type and Engine Number

Part No. - See Column "PART NUMBER"

Precise Description - See Column "DESCRIPTION"

WHEN ORDERING PARTS FOR AGGREGATES, PLEASE INDICATE THE AGGREGATE NUMBER

Gear Box Unit No. -

Rear Axle Unit No. -

Steering Unit No. -

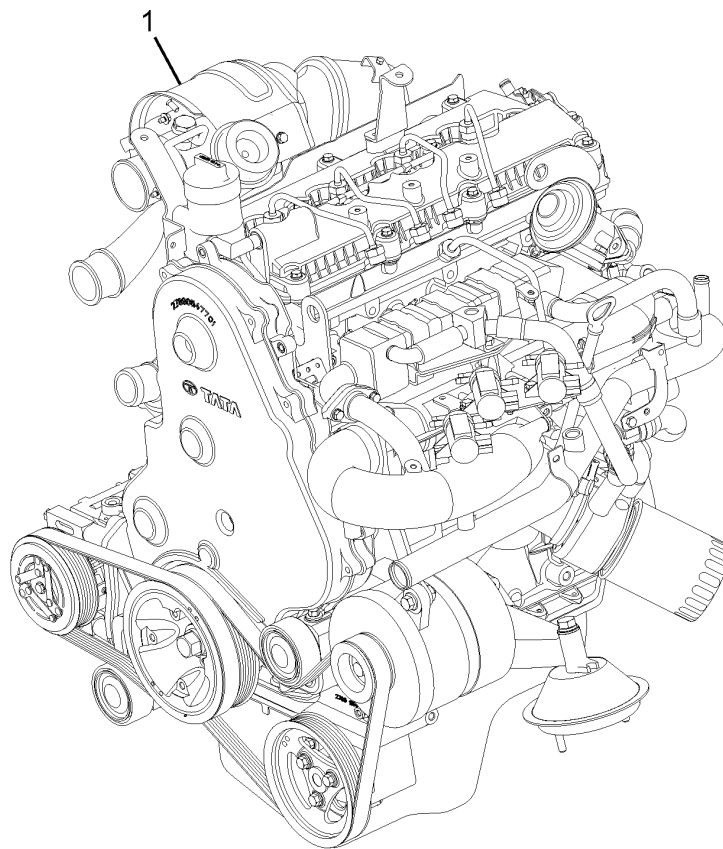
VARIANT – TABLE MATRIX

VARIANT - TABLE MATRIX						
	CHASSIS TYPE	374557	374558	374536	374506	374508
	DESCRIPTION	CREW CAB 4X4-31WB	CREW CAB 4X2-31WB	SINGLE CAB 4X4-28WB	SINGLE CAB 4X2-28WB	SINGLE CAB 4X2-31WB
TABLE NUMBER	TABLE DESCRIPTION					
00	ENGINE					
00.00.01A	ENGINE			Y	Y	Y
00.00.01B	ENGINE	Y	Y			
00.00.02	HALF BLOCK	Y	Y	Y	Y	Y
00.00.03	ENGINE OVERHAUL GASKET KIT	Y	Y	Y	Y	Y
00.01.01	CYLINDER BLOCK	Y	Y	Y	Y	Y
00.01.02	CYLINDER HEAD	Y	Y	Y	Y	Y
00.01.03	CYLINDER HEAD COVER	Y	Y	Y	Y	Y
00.01.04	OIL SEPERATOR ARRANGEMENT	Y	Y	Y	Y	Y
00.03.01	DRIVE PARTS	Y	Y	Y	Y	Y
00.05.01	ENGINE TIMING	Y	Y	Y	Y	Y
00.07.01	FUEL INJECTION EQUIPMENT	Y	Y	Y	Y	Y
00.09.01	FUEL FILTER	Y	Y	Y	Y	Y
00.09.02	AIR FILTER	Y	Y	Y	Y	Y
00.14.01	INTAKE SYSTEM AND EGR	Y	Y	Y	Y	Y
00.14.02	EXHAUST SYSTEM AND TURBOCHARGER	Y	Y	Y	Y	Y
00.14.03	INTERCOOLER	Y	Y	Y	Y	Y
00.14.04	VACCUM ROUTINE	Y	Y	Y	Y	Y
00.15.01	ENGINE ELECTRICALS	Y	Y	Y	Y	Y
00.15.02	ALTERNATOR	Y	Y	Y	Y	Y
00.15.03	STARTER MOTOR	Y	Y	Y	Y	Y
00.18.01	LUBRICATION SYSTEM	Y	Y	Y	Y	Y
00.20.01	ENGINE COOLING-1	Y	Y	Y	Y	Y
00.20.02	ENGINE COOLING-2	Y	Y	Y	Y	Y
00.23.01	DRIVE ARRANGEMENT	Y	Y	Y	Y	Y
00.23.02	A/C COMPRESSOR DRIVE ARRANGEMENT	Y	Y			
00.24.01A	ENGINE SUSPENSION		Y		Y	Y
00.24.01B	ENGINE SUSPENSION	Y		Y		
00.25.01	CLUTCH	Y	Y	Y	Y	Y
26	GEARBOX					
26.26.01A	CASING(4X2)		Y		Y	Y
26.26.01B	CASING(4X4)	Y		Y		
26.26.02A	GEAR AND SHAFTS(4X2)		Y		Y	Y
26.26.02B	GEAR AND SHAFTS(4X4)	Y		Y		
26.26.03A	SHIFTING FORKS		Y		Y	Y
26.26.03B	SHIFTING FORKS	Y		Y		
26.26.04	ADAPTER HOUSING(4X4)	Y		Y		
28	TRANSFER CASE					
28.28.01	TRANSFER CASE(DICOR)	Y		Y		
29	CONTROLS					
29.29.01	FOOT CONTROL	Y	Y	Y	Y	Y
29.29.02	REPAIR KITS CMC AND CSC(BRAKES INDIA)	Y	Y	Y	Y	Y
29.29.03	REPAIR KITS - CLUTCH SLAVE CYLINDER	Y	Y	Y	Y	Y
30	ACCELERATOR					
30.30.01	ACCELERATOR PEDAL COMPLETE	Y	Y	Y	Y	Y
31	FRAME					
31.31.01	FRAME -CREW CAB 31WB 4X4	Y				
31.31.02	FRAME - CREW CAB 31WB 4X2		Y			
31.31.03	FRAME - SINGLE CAB 28WB 4X4			Y		
31.31.04	FRAME - SINGLE CAB 28WB 4X2				Y	

VARIANT - TABLE MATRIX						
	CHASSIS TYPE	374557	374558	374536	374506	374508
	DESCRIPTION	CREW CAB 4X4-31WB	CREW CAB 4X2-31WB	SINGLE CAB 4X4-28WB	SINGLE CAB 4X2-28WB	SINGLE CAB 4X2-31WB
TABLE NUMBER	TABLE DESCRIPTION					
31.31.05	FRAME - SINGLE CAB 31WB - 4X2 W/O LOADBODY					Y
32	SUSPENSION					
32.32.01	FRONT SUSPENSION	Y	Y	Y	Y	Y
32.32.02	FRONT ANTI-ROLL BAR	Y	Y	Y	Y	Y
32.32.03	REAR SPRING	Y	Y	Y	Y	Y
32.32.04	REAR SHOCK ABSORBER	Y	Y	Y	Y	Y
33	FRONT AXLE					
33.33.01	FRONT AXLE (4 X 2)	Y		Y		
33.33.02	FRONT AXLE (4 X 4)		Y		Y	Y
33.33.03	HUB LOCK ASSY	Y		Y		
35	REAR AXLE					
35.35.01	REAR AXLE	Y	Y	Y	Y	Y
40	WHEELS					
40.40.01	WHEEL RIM AND SPARE WHEEL CARRIER	Y	Y	Y	Y	Y
41	PROPELLER SHAFT					
41.41.01A	PROPELLER SHAFT (4 X 2)		Y			Y
41.41.01B	PROPELLER SHAFT (4 X 2)				Y	
41.41.02A	PROPELLER SHAFT (4 X 4)			Y		
41.41.02B	PROPELLER SHAFT (4 X 4)	Y				
42	BRAKES					
42.42.01	FRONT WHEEL BRAKES(TWIN POT CALIPER)	Y	Y	Y	Y	Y
42.42.02	REAR BRAKE AUTO BRAKE ADJUSTER	Y	Y	Y	Y	Y
42.42.03	TANDEM MASTER CYLINDER	Y	Y	Y	Y	Y
42.42.04	VACCUM BOOSTER	Y	Y	Y	Y	Y
42.42.05A	PARKING BRAKE(CONSOLE MOUNTING)			Y	Y	
42.42.05B	PARKING BRAKE(CONSOLE MOUNTING)	Y	Y			
42.42.05C	PARKING BRAKE(CONSOLE MOUNTING)					Y
42.42.06A	HYDRAULIC BRAKE LINES LHD			Y	Y	
42.42.06B	HYDRAULIC BRAKE LINES LHD	Y	Y			Y
46	STEERING					
46.46.01	STEERING LINKAGES	Y	Y	Y	Y	Y
46.46.02	STEERING WHEEL AND MOUNTING	Y	Y	Y	Y	Y
46.46.03	POWER STEERING PIPE LINES LHD	Y	Y	Y	Y	Y
47	FUEL SYSTEM					
47.47.01	FUEL SYSTEM			Y	Y	
47.47.02	FUEL SYSTEM	Y	Y			
47.47.03	FUEL SYSTEM					Y
49	EXHAUST SYSTEM					
49.49.01A	EXHAUST SYSTEM			Y	Y	Y
49.49.01B	EXHAUST SYSTEM	Y	Y			
50	RADIATOR					
50.50.01	RADIATOR ASSEMBLY	Y	Y	Y	Y	Y
54	ELECTRICAL					
54.54.01A	ELECTRICAL EQUIPMENT				Y	Y
54.54.01B	ELECTRICAL EQUIPMENT		Y			
54.54.01C	ELECTRICAL EQUIPMENT	Y		Y		
54.54.02A	ELECTRICAL EQUIPMENT	Y		Y		
54.54.02B	ELECTRICAL EQUIPMENT		Y		Y	Y
54.54.03A	ELECTRICAL EQUIPMENT			Y	Y	Y
54.54.03B	ELECTRICAL EQUIPMENT	Y	Y			

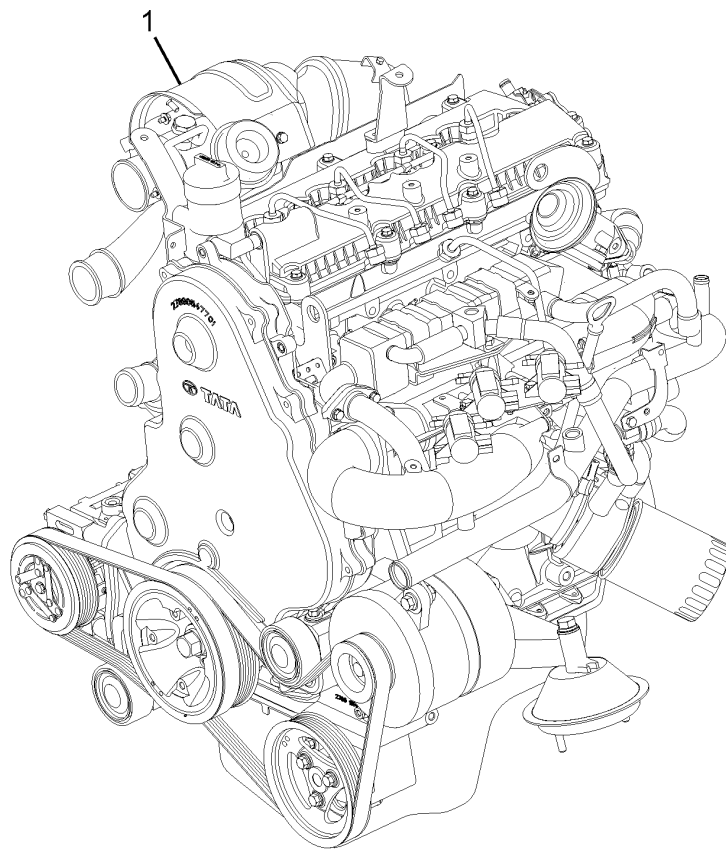
VARIANT - TABLE MATRIX						
	CHASSIS TYPE	374557	374558	374536	374506	374508
	DESCRIPTION	CREW CAB 4X4-31WB	CREW CAB 4X2-31WB	SINGLE CAB 4X4-28WB	SINGLE CAB 4X2-28WB	SINGLE CAB 4X2-31WB
TABLE NUMBER	TABLE DESCRIPTION					
54.54.04A	WIRING HARNESS				Y	Y
54.54.04B	WIRING HARNESS			Y		
54.54.04C	WIRING HARNESS		Y			
54.54.04D	WIRING HARNESS	Y				
60	BODY					
60.60.01	ASSY.SINGLE CAB COMPLETE			Y	Y	Y
60.60.02	ASSY. CAB COMPLETE (CREW CAB)	Y	Y			
60.60.03	ASSY.BODY SHELL COMPLETE (SINGLE CAB)			Y	Y	Y
60.60.04	ASSY.BODY SHELL COMPLETE (CREW CAB)	Y	Y			
60.60.05	SHEET METAL PARTS (SINGLE CAB)			Y	Y	Y
60.60.06	SHEET METAL PARTS (CREW CAB)	Y	Y			
60.60.07	SHEET METAL PARTS	Y	Y	Y	Y	Y
60.60.09	SHEET METAL PARTS	Y	Y	Y	Y	Y
60.67.01	WIND SHIELD GLASS	Y	Y	Y	Y	Y
60.68.01A	DASH BOARD			Y	Y	Y
60.68.01B	DASH BOARD	Y	Y			
60.68.02	CONSOLE	Y	Y	Y	Y	Y
60.69.01A	INSIDE LINER			Y	Y	Y
60.69.01B	INSIDE LINER	Y	Y			
60.70.01	ASSY.LOAD BODY (SINGLE CAB)			Y	Y	Y
60.70.02	ASSY.LOAD BODY (CREW CAB)	Y	Y			
60.70.03	TAIL GATE LOCKING SYSTEM	Y	Y	Y	Y	Y
60.72.01	DOOR	Y	Y	Y	Y	Y
60.72.02	DOOR (LOCKING SYSTEM)	Y	Y	Y	Y	Y
60.72.03	DOOR GLASS AND WINDOW REGULATOR	Y	Y	Y	Y	Y
60.73.01	REAR DOOR (CREW CAB)	Y	Y			
60.73.02	REAR DOOR GLASS AND WINDOW REGULATOR	Y	Y			
60.73.03	REAR DOOR LOCKING SYSTEM	Y	Y			
60.81.01A	INTERNAL AND EXTERNAL FITMENTS			Y	Y	Y
60.81.01B	INTERNAL AND EXTERNAL FITMENTS	Y	Y			
60.81.02A	INTERNAL AND EXTERNAL FITMENTS				Y	Y
60.81.02B	INTERNAL AND EXTERNAL FITMENTS			Y		
60.81.02C	INTERNAL AND EXTERNAL FITMENTS		Y			
60.81.02D	INTERNAL AND EXTERNAL FITMENTS	Y				
60.81.03A	INTERNAL AND EXTERNAL FITMENTS			Y	Y	Y
60.81.03B	INTERNAL AND EXTERNAL FITMENTS	Y	Y			
60.82.01	WIND SHIELD WIPING SYSTEM	Y	Y	Y	Y	Y
60.83.01	HEATING AND DEMISTING			Y	Y	Y
60.83.02	AC+ HEATING AND DEMISTING SYSTEM	Y	Y			
60.83.03A	VENTILATION AND CONTROL			Y	Y	Y
60.83.03B	VENTILATION AND CONTROL	Y	Y			
60.88.01	BONNET	Y	Y	Y	Y	Y
60.88.02	BUMPER	Y	Y	Y	Y	Y
60.89.01A	BODY MOUNTING			Y	Y	Y
60.89.01B	BODY MOUNTING	Y	Y			
60.91.01A	SEATS AND SEAT BELTS			Y	Y	Y
60.91.01B	SEATS AND SEAT BELTS	Y	Y			

CHASSIS TYPE: 374536; 374508; 374506



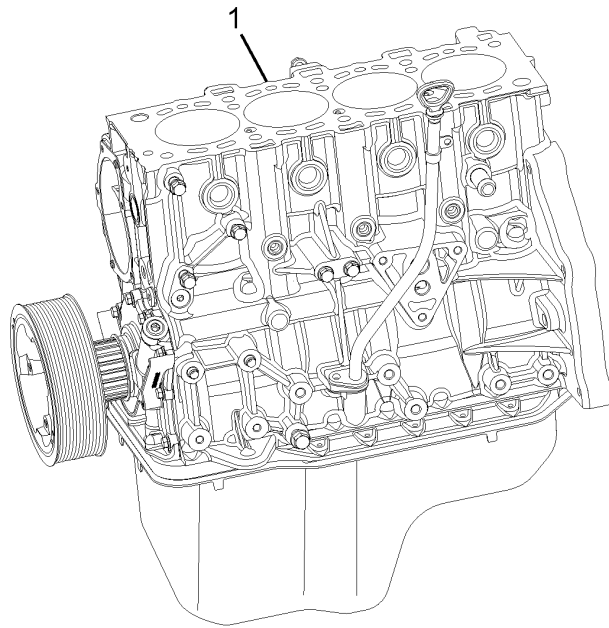
00.00.01A		ENGINE		GROUP 00	
CHASSIS TYPE: 374536; 374508; 374506					
FIG. NO.	PART NUMBER	DESCRIPTION	QTY	REMARKS	
1	278901000104	ASSY,ENG.COMPL.WITH CL(2.2 DICOR)W/O AC	1		

CHASSIS TYPE: 374557; 374558



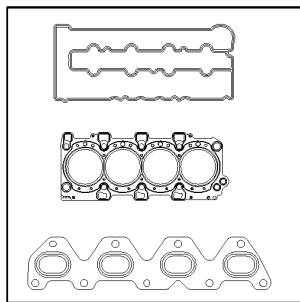
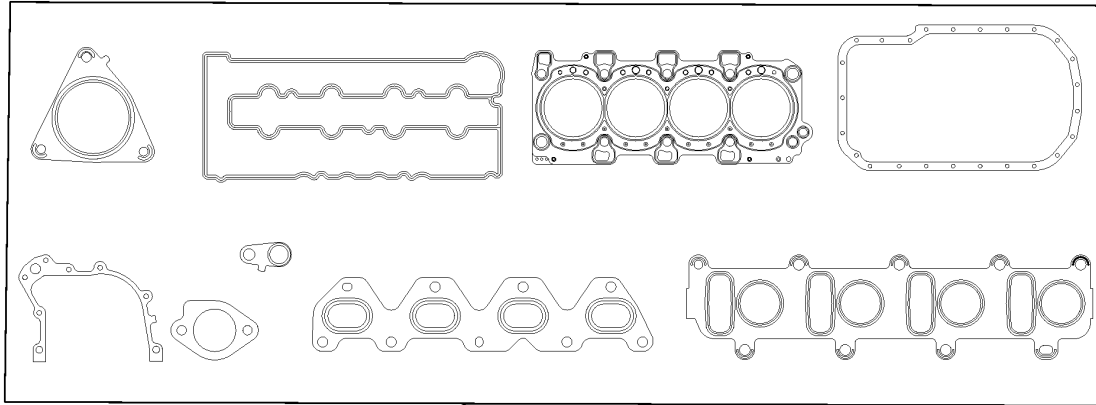
00.00.01B		ENGINE		GROUP 00	
CHASSIS TYPE: 374557; 374558					
FIG. NO.	PART NUMBER	DESCRIPTION	QTY	REMARKS	
1	278901000103	ASSY,ENG COMPL WITH CL(2.2 DICOR)(W/AC)	1		

CHASSIS TYPE: ALL



00.00.02		HALF BLOCK		GROUP 00	
CHASSIS TYPE: ALL					
FIG. NO.	PART NUMBER	DESCRIPTION	QTY	REMARKS	
1	278901990103	HALF BLOCK	1		
-	278901990101	LONG BLOCK	1		

CHASSIS TYPE: ALL

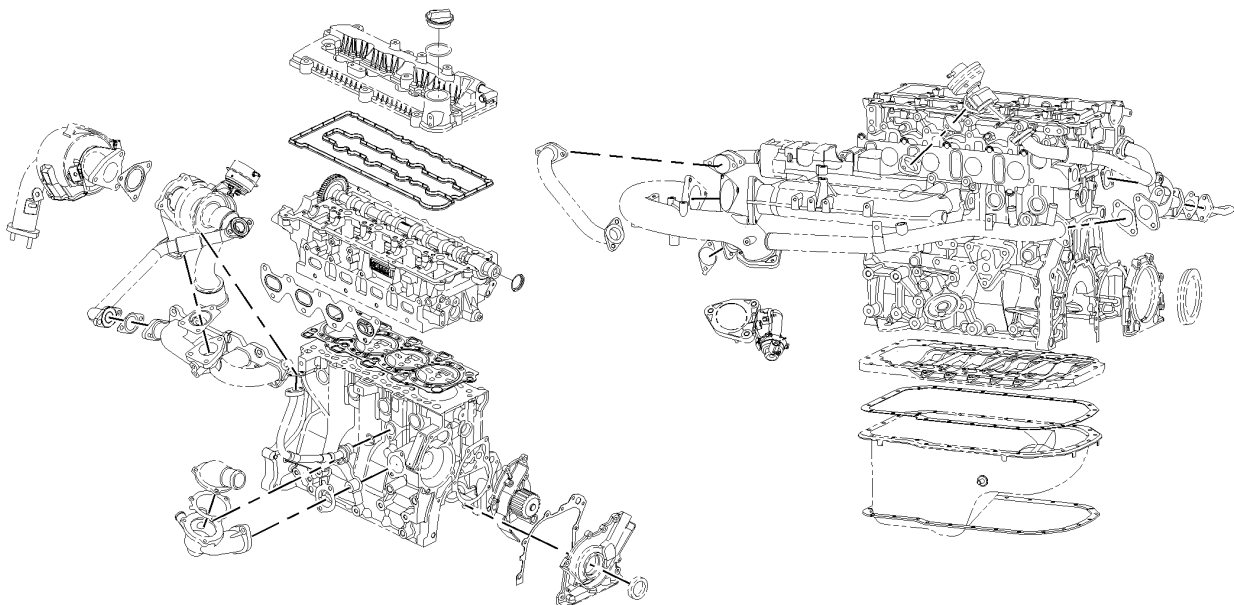
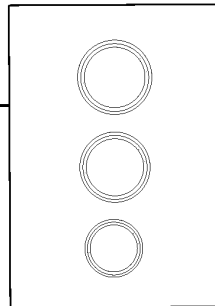


4

1

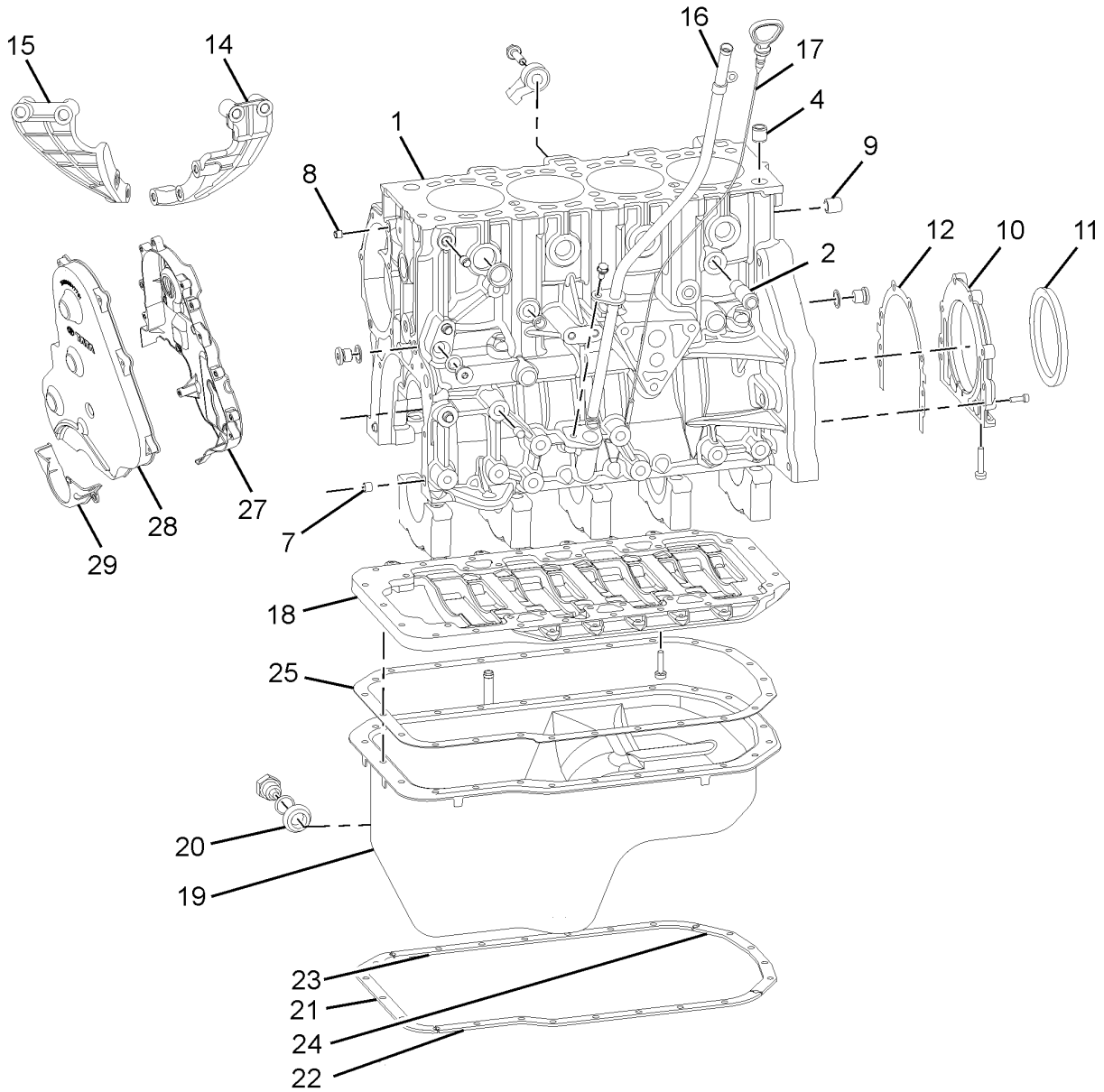
2

3



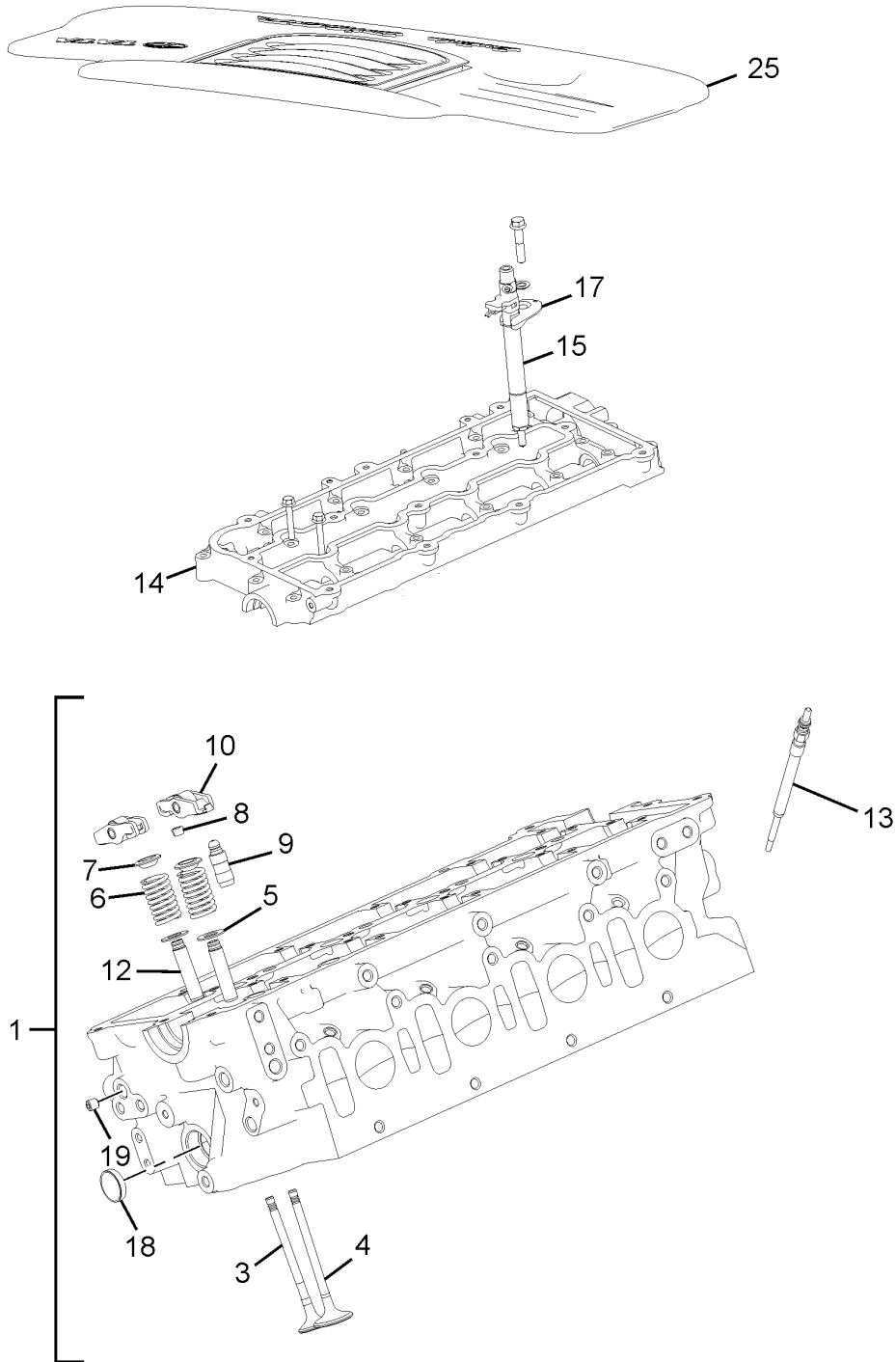
00.00.03		ENGINE OVERHAUL GASKET KIT		GROUP 00	
CHASSIS TYPE: ALL					
FIG. NO.	PART NUMBER	DESCRIPTION	QTY	REMARKS	
1	275901990104	ENGINE OVERHAUL GASKET KIT	1		
2	278901990105	ENGINE OVERHAUL - GASKET SUB KIT	1		
3	278901990106	ENGINE OVERHAUL SEAL SUB KIT	1		
4	278901990107	DECARBONISING KIT	1		

CHASSIS TYPE: ALL



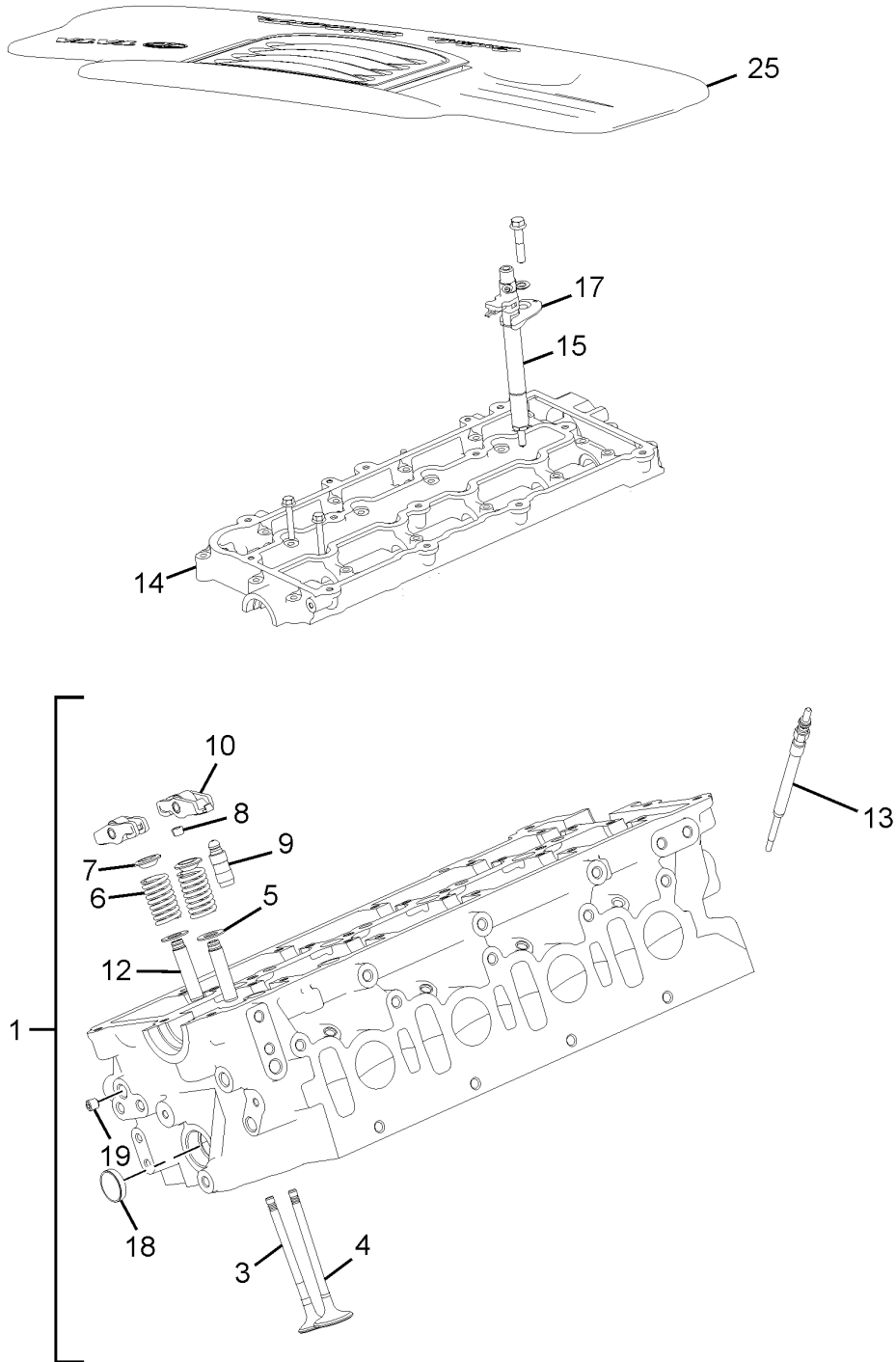
00.01.01		CYLINDER BLOCK		GROUP 01
CHASSIS TYPE: ALL				
FIG. NO.	PART NUMBER	DESCRIPTION	QTY	REMARKS
1	278901100101	ASSY,CYLINDER CRANKCASE	1	
2	278901106901	TUBE(FROM CRANKCASE TO OIL COOLER)	1	
-	279701109901	INSERT(FOR SENSOR ON CYL.CRANKCASE)	1	
4	254701154801	HOLLOW DOWEL(CYLINDER HEAD)	2	
-	254707124801	HOLLOW DOWEL(SUPPORT FIP)	4	
-	254723124801	HOLLOW DOWEL(FOR A/C & IDLER BRACKET)	2	
7	279018104801	HOLLOW DOWEL(10H6X8.4X8L)	2	
8	279001104803	HOLLOW DOWEL(8H6X6.5X8L)	2	
9	254725104801	HOLLOW DOWEL(CLUTCH HOUSING)	2	
10	278901143802	REAR COVER(CRANKCASE)	1	
11	278901107804	OIL SEAL(CRANKSHAFT)(REAR)(CR SEAL)	1	
12	278901145302	GASKET(REAR COVER)(SANKAR)	1	
14	278901103704	BRACKET POWER TRAIN STIFFENER(LH SIDE)	1	
15	278901103705	BRACKET POWER TRAIN STIFFENER(RH SIDE)	1	
16	278901170101	ASSY,DIPSTICK TUBE	1	
17	278901170102	ASSY,DIPSTICK	1	OPTIONAL
17	278901170104	ASSY,DIPSTICK	1	OPTIONAL
18	278901133801	LADDER FRAME	1	
19	278901130101	ASSY,OIL SUMP	1	
20	253401130111	ASSY,MAGNETIC DRAIN PLUG	1	
21	254701138211	STIFFNER(FRONT)	1	
22	254701138212	STIFFNER(LEFT)	1	
23	254701138213	STIFFNER(RIGHT)	1	
24	254701138214	STIFFNER(REAR)	1	
25	254701135322	OIL SUMP GASKET(1 THK)	1	
27	278901140102	ASSY,COVER-BACK(TIMING BELT)	1	
28	278901147701	FRONT COVER-TOP (TIMING BELT)	1	
29	278901140103	ASSY,BOTTOM-COVER(TIMING BELT)	1	

CHASSIS TYPE: ALL



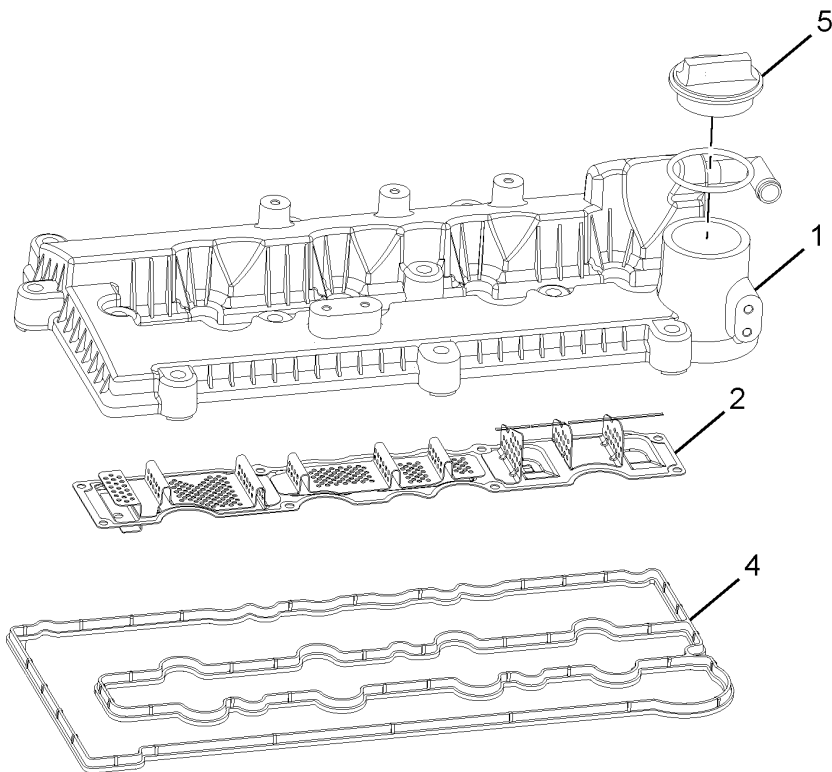
00.01.02		CYLINDER HEAD		GROUP 01
CHASSIS TYPE: ALL				
FIG. NO.	PART NUMBER	DESCRIPTION	QTY	REMARKS
1	278901150101	ASSY.CYLINDER HEAD WITH VALVES	1	
-	278901150102	ASSY.CYLINDER HEAD WITHOUT VALVES	1	
-	279705157801	VALVE GUIDE SEAL(CR-SEAL)	16	
3	278905129002	EXHAUST VALVE	8	
4	278905129001	INLET VALVE	8	
5	278905128201	SPRING SEAT	16	
6	278905128701	VALVE SPRING	16	
7	278905125101	RETAINER VALVE SPRING	16	
8	254905124302	VALVE LOCK (HALF)	16	
9	279705140102	ASSY,HYDRAULIC LASH ADJUSTER	16	
10	279705140101	ASSY,ROLLER FINGER FOLLOWER	16	
-	278901153401	VALVE SEAT INSERT-INTAKE(NORMAL)	8	FOR SELECTION
-	278901153403	VALVE SEAT INSERT-INTAKE(NORMAL)	8	FOR SELECTION
12	279705153701	VALVE GUIDE INTAKE AND EXHAUST(NORMAL)	16	FOR SELECTION
13	279715409901	GLOW PLUG(BERU)	4	
14	278901153803	BEARING FRAME	1	
15	278901160101	ASSY.INJECTOR(DELPHI)	4	
-	278901169201	WASHER(FOR INJECTOR)	4	
17	279701165101	INJECTOR CLAW	4	
-	278901166701	PIN(INJECTOR CLAW SUPPORT)	4	
18	254701108204	CORE PLUG(27 DIA.)	1	
19	16081801006	PLUG (MC 10X1)(IS9645-SS8451-8C)	5	
-		SET INLET AND EXHAUST VALVES	1	PART NO. WILL BE CONFIRMED LATER.
-		SET INLET AND EXHAUST INSERTS	1	PART NO. WILL BE CONFIRMED LATER.
-	278901154801	ORIFICE-CYLINDER HEAD OIL GALLERY	2	
-	279705140105	ASSY,RFF & HLA(INA)	1	
-	278901155301	GASKET-CYLINDER HEAD-MLS(1.3 THK-REINZ)	1	FOR SELECTION
-	278901155303	GASKET-CYLINDER HEAD-MLS(1.4 THK-REINZ)	1	FOR SELECTION
-	278901155304	GASKET-CYLINDER HEAD-MLS(1.5 THK-REINZ)	1	FOR SELECTION
-	278901153201	HEX.BOLT-CYLINDER HEAD	10	
-	278901159201	WASHER-CYLINDER HEAD BOLT	10	

CHASSIS TYPE: ALL



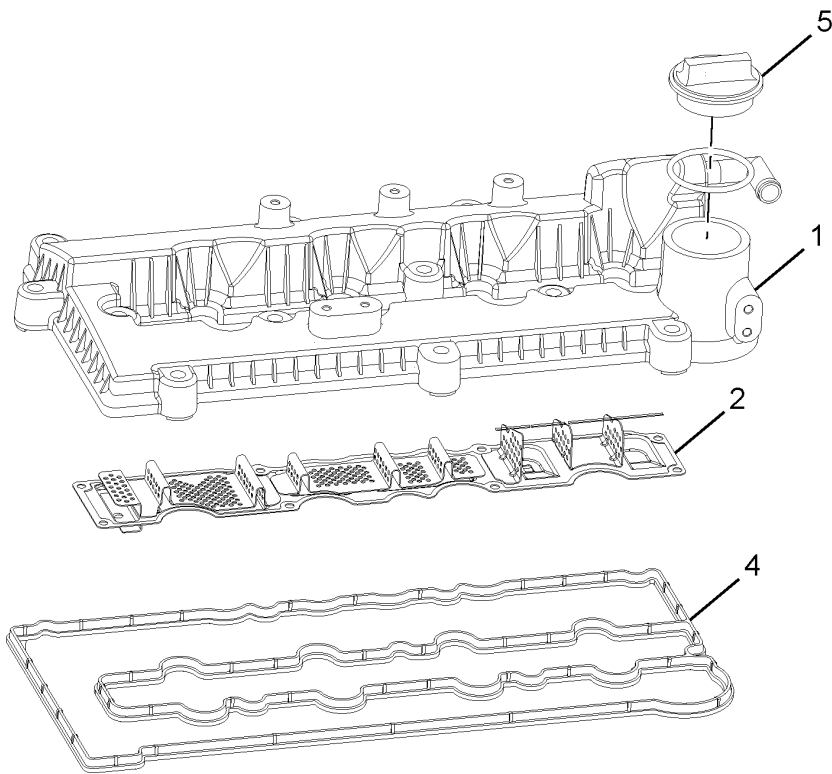
00.01.02		CYLINDER HEAD		GROUP 01
CHASSIS TYPE: ALL				
FIG. NO.	PART NUMBER	DESCRIPTION	QTY	REMARKS
25	278901150106	ASSY,ENGINE COVER	1	
-	279701150106	ASSY,ISOLATOR(FOR CYLINDER HEAD COVER)	12	
-	278901150107	ASSY,BRACKET(ENGINE COVER MTG-LEFT)	1	
-	278901150108	ASSY,BRACKET(ENGINE COVER MTG-RIGHT)	1	
-	279801156701	BALL HEAD PIN(ENGINE COVER MOUNTING)	4	

CHASSIS TYPE: ALL



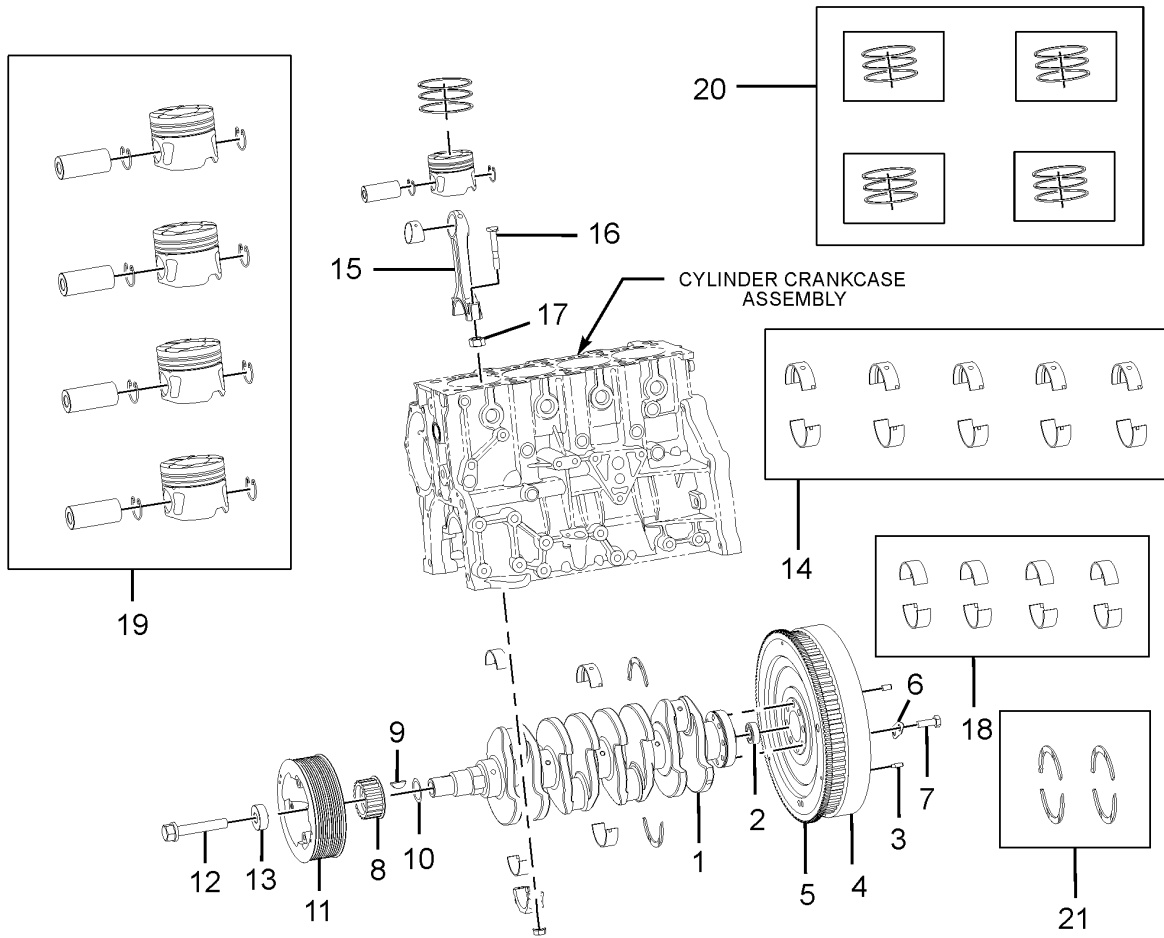
00.01.03		CYLINDER HEAD COVER		GROUP 01	
CHASSIS TYPE: ALL					
FIG. NO.	PART NUMBER	DESCRIPTION	QTY	REMARKS	
1	278901150103	ASSY,CYLINDER HEAD COVER(WITH TUBE)	1		
2	278901150104	ASSY,BAFFLE PLATE	1		
4	278901155302	GASKET (CYLINDER HEAD COVER)	1		
5	279001150138	ASSY,OIL FILLER CAP	1	- OPTIONAL	
5	279001159907	CAP-OIL FILLING(FOR CYLINDER HEAD COVER)	1	- OPTIONAL	

CHASSIS TYPE: ALL



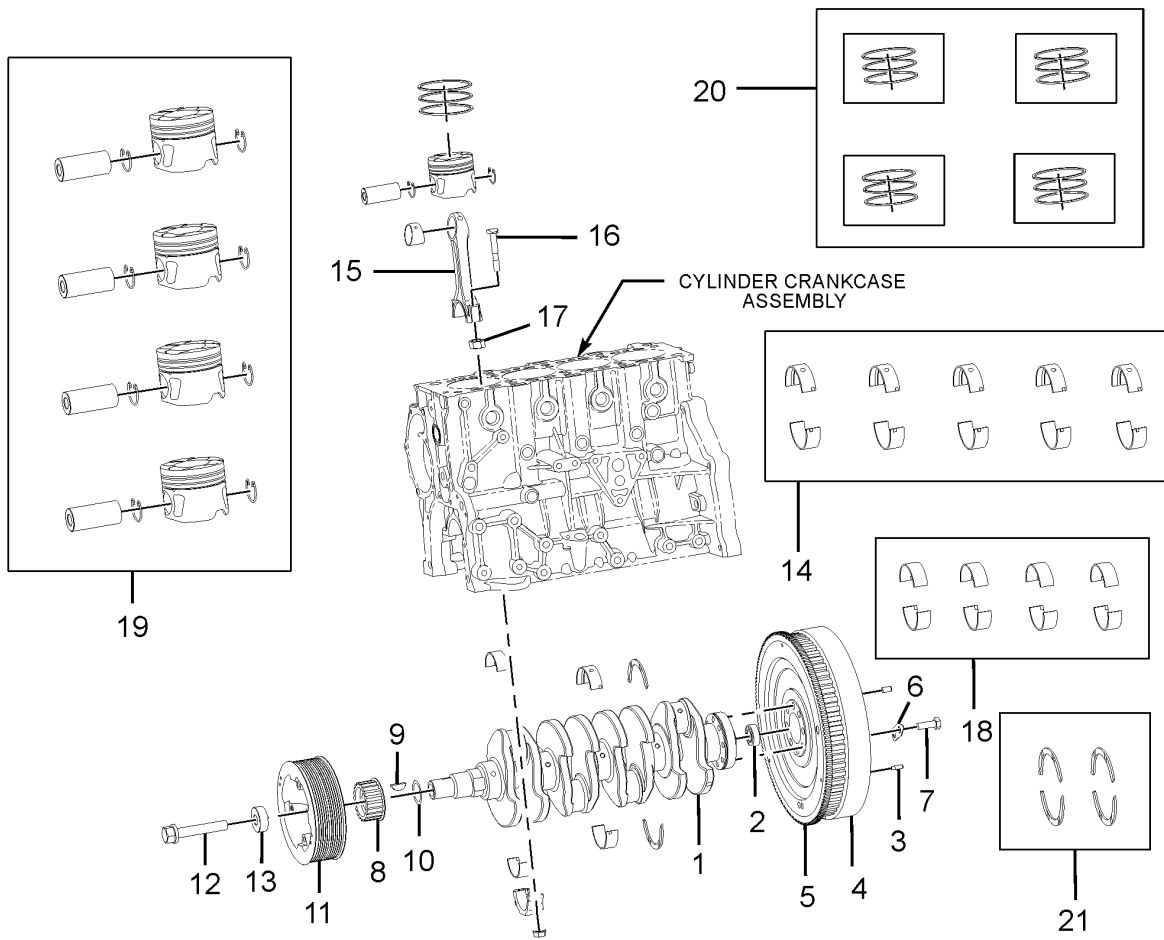
00.01.04		CYLINDER HEAD COVER		GROUP 01	
CHASSIS TYPE: ALL					
FIG. NO.	PART NUMBER	DESCRIPTION	QTY	REMARKS	

CHASSIS TYPE: ALL



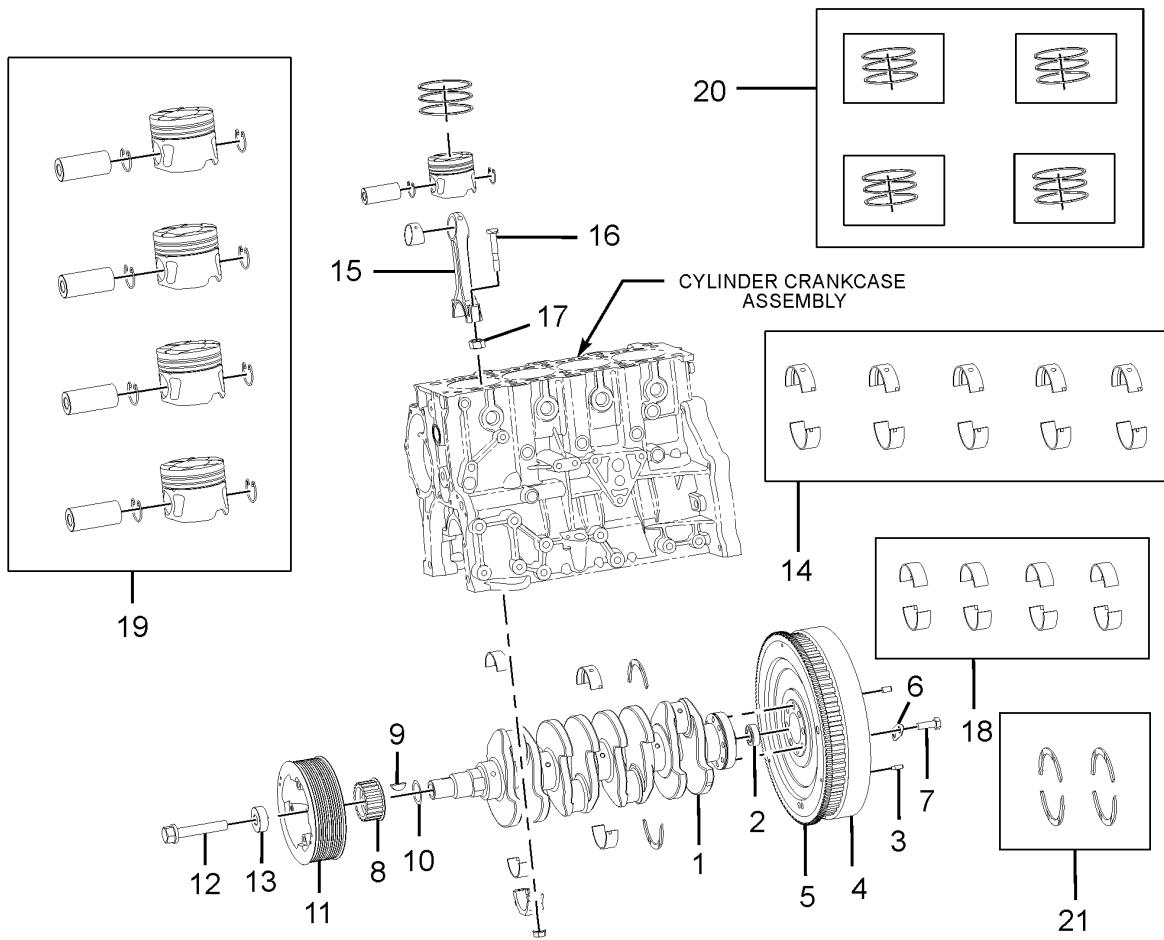
00.03.01		MOVING PARTS		GROUP 03	
CHASSIS TYPE: ALL					
FIG. NO.	PART NUMBER	DESCRIPTION	QTY	REMARKS	
1	278903107901	CRANKSHAFT	1		
2	254703103107	D.G.BALL BRG.(6202-2RS)	1		
3	253403114801	CYLINDRICAL PIN	3		
4	278903110103	ASSY,FLYWHEEL WITH RING GEAR	1		
5	278903115401	RING GEAR	1		
6	254703116101	LOCKING PLATE	3		
-	254703116102	LOCKING PLATE	1		
7	278903113201	HEX.BOLT(FLYWHEEL MOUNTING)	8		
8	254705115408	CRANKSHAFT GEAR(SINTERED)	1		
9	254703105901	KEY	1		
10	278903107101	FRICITION PLATE(ON CRANKSHAFT)	1		
11	278903130101	ASSY,VIBRATION DAMPER			
12	278903133201	HEX.BOLT(ON CRANKSHAFT)	1		
13	278903139201	WASHER(CRANKSHAFT GEAR)	1		
14	278903120105	SET-M.B.SHELL(UPPER/LOWER) NORMAL	5	- FOR SELECTION.	
		M.B.SHELL UPPER HALF NORMAL	5		
		M.B.SHELL LOWER HALF NORMAL	5		
14	278903120106	SET-M.B.SHELL(UPPER/LOWER) NORMAL I	5	- FOR SELECTION.	
		M.B.SHELL UPPER HALF NORMAL I	5		
		M.B.SHELL LOWER HALF NORMAL I	5		
14	278903120107	SET-M.B.SHELL(UPPER/LOWER) REPAIR I	5	- FOR SELECTION.	
		M.B.SHELL UPPER HALF REPAIR I	5		
		M.B.SHELL LOWER HALF REPAIR I	5		
14	278903120108	SET-M.B.SHELL(UPPER/LOWER) REPAIR II	5	- FOR SELECTION.	
		M.B.SHELL UPPER HALF REPAIR II	5		
		M.B.SHELL LOWER HALF REPAIR II	5		
		CONNECTING ROD			
15	2789031500103	SET-CONNECTING ROD AND BUSH - NORMAL	4	- FOR SELECTION.	
		CONNECTING ROD - NORMAL	4		
	278903153411	BUSH-CONNECTING ROD - NORMAL	4		
15	278903150115	SET-CONNECTING ROD AND BUSH - NORMAL I	4	- FOR SELECTION.	
		CONNECTING ROD - NORMAL I	4		
		BUSH-CONNECTING ROD - NORMAL I	4		
-	278903155103	CONNECTING ROD CAP	4		
16	254903153201	BOLT(CONNECTING ROD)	8		

CHASSIS TYPE: ALL



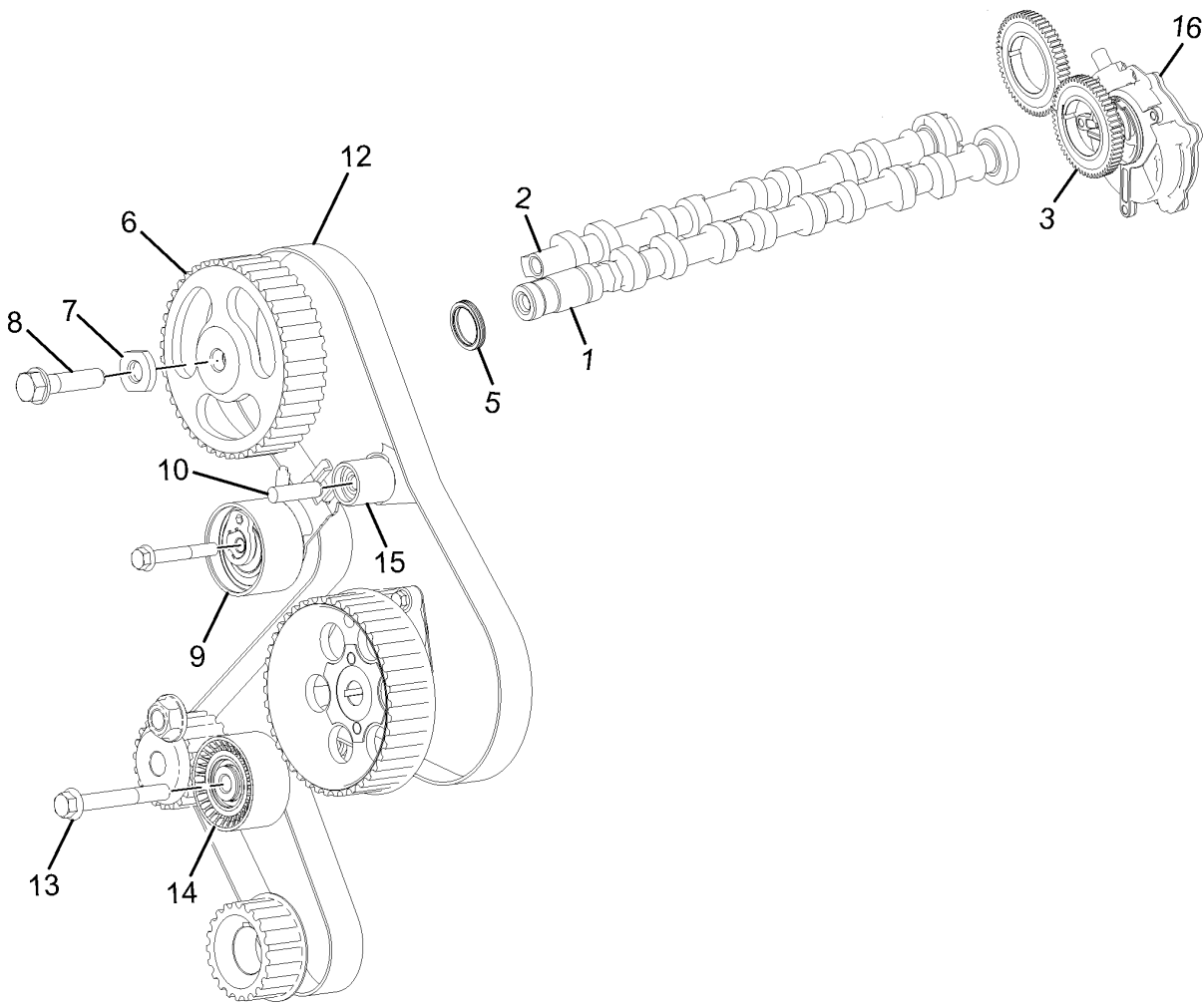
00.03.01		MOVING PARTS		GROUP 03	
CHASSIS TYPE: ALL					
FIG. NO.	PART NUMBER	DESCRIPTION	QTY	REMARKS	
17	254703156502	FLANGE NUT(CON. ROD)(SUNDARAM FASTENERS)	8		
18	278903150108	SET-BEARING HALF(UPPER/LOWER)-NORMAL BEARING	1 4		
		HALF-UPPER-NORMAL(CON.ROD) BEARING	4		
		HALF-LOWER-NORMAL(CON.ROD)			
18	278903150109	SET-BEARING HALF(UPPER/LOWER)-NORMAL I BEARING	1 4	- FOR SELECTION.	
		HALF-UPPER-NORMAL I(CON.ROD)	4		
		BEARING HALF-LOWER-NORMAL I(CON.ROD)	4		
18	278903150110	SET-BEARING HALF(UPPER/LOWER)-REPAIR I BEARING	1 4	- FOR SELECTION.	
		HALF-UPPER-REPAIR I(CON.ROD)	4		
		BEARING HALF-LOWER-REPAIR I(CON.ROD)	4		
18	278903150111	SET-BEARING HALF(UPPER/LOWER)-REPAIR II BEARING	1 4	- FOR SELECTION.	
		HALF-UPPER-REPAIR II(CON.ROD)	4		
		BEARING HALF-LOWER-REPAIR II(CON.ROD)	4		
		SET PISTON AND PISTON RINGS			
19	278903990101	SET PISTON WITHOUT RINGS - GRADE A	1	- FOR SELECTION.	
		PISTON A	4		
		GUDGEON PIN	4		
		CIRCLIP	8		
19	278903990102	SET PISTON WITHOUT RINGS - GRADE B	1	- FOR SELECTION.	
		PISTON B	4		
		GUDGEON PIN	4		
		CIRCLIP	8		
19	278903990103	SET PISTON WITHOUT RINGS - GRADE C	1	- FOR SELECTION.	
		PISTON C	4		
		GUDGEON PIN	4		
		CIRCLIP	8		
20	278903990104	SET PISTON RING STD	1		

CHASSIS TYPE: ALL



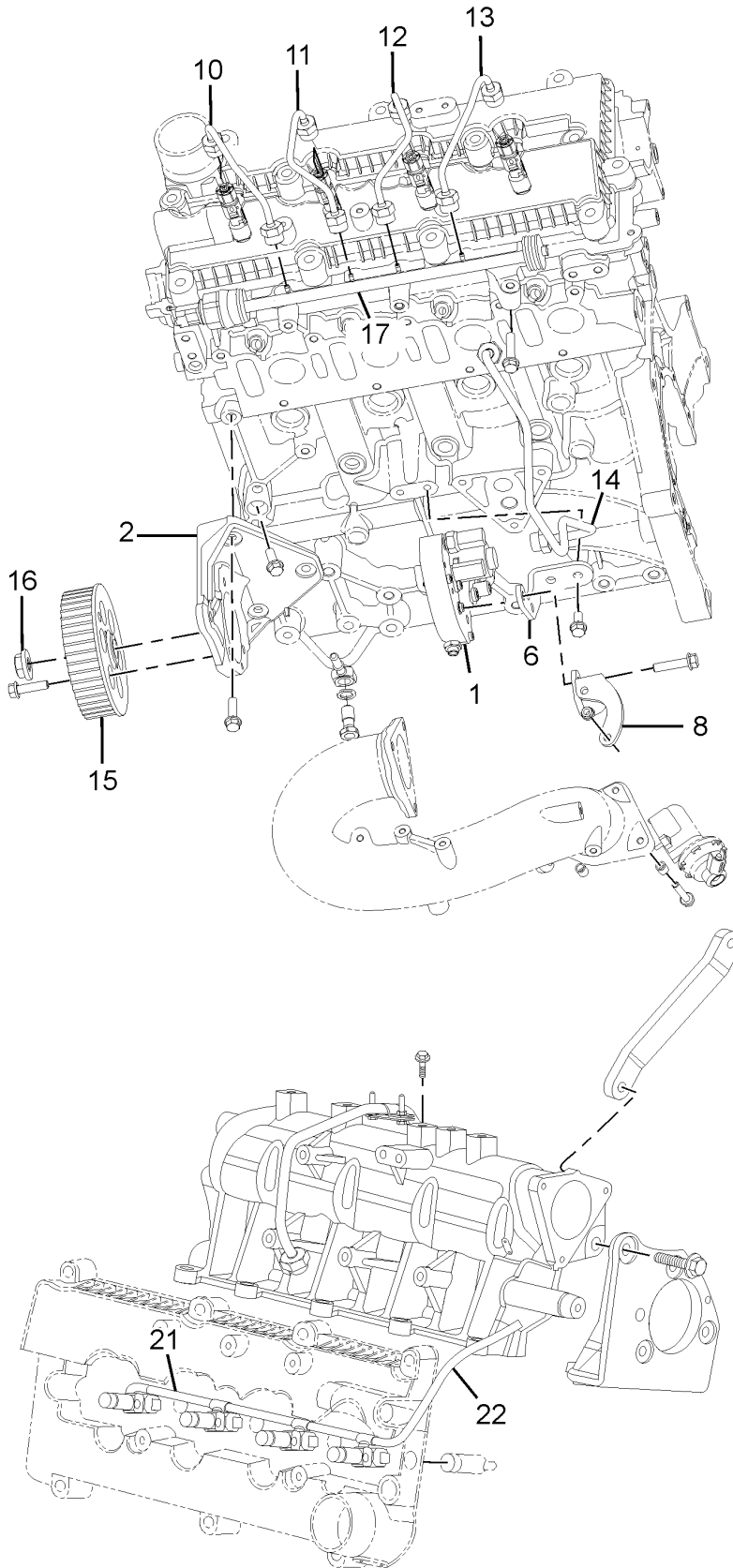
00.03.01		MOVING PARTS		GROUP 03	
CHASSIS TYPE: ALL					
FIG. NO.	PART NUMBER	DESCRIPTION	QTY	REMARKS	
21	254703123481	TOP RING	4	- FOR SELECTION.	
		SECOND RING	4		
		ASSY OIL RING	4		
		SET THRUST	1		
		WASHER(UPPER/LOWER)2.51			
21	254703123482	THRUST WASHER(UPPER)-2.51	2	- FOR SELECTION.	
		THRUST WASHER(LOWER)-2.51	2		
		SET THRUST	2		
		WASHER(UPPER/LOWER)2.57			
		THRUST WASHER(UPPER)-2.57	2		
		THRUST WASHER(LOWER)-2.57	2		

CHASSIS TYPE: ALL



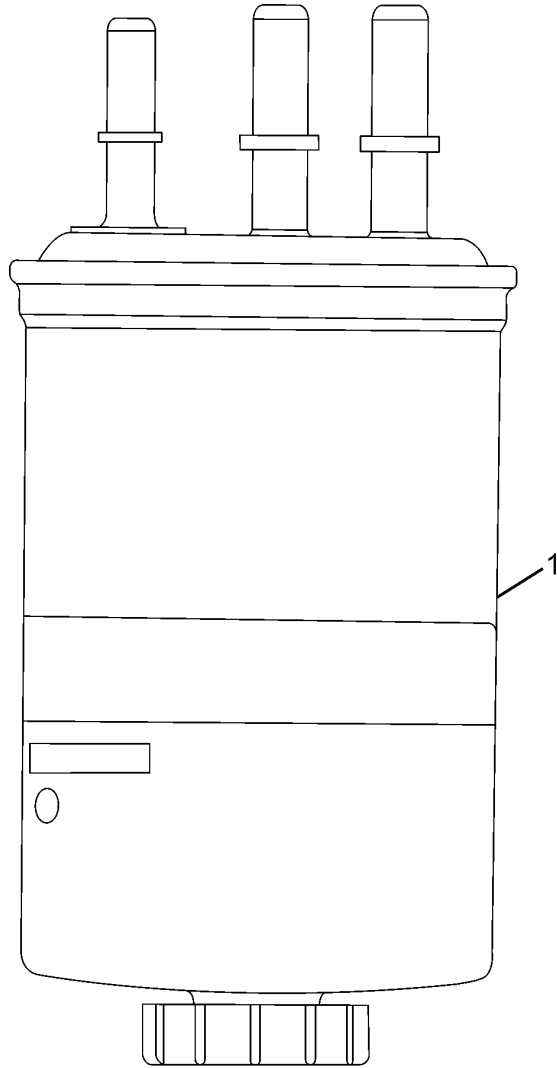
00.05.01		ENGINE TIMING		GROUP 05
CHASSIS TYPE: ALL				
FIG. NO.	PART NUMBER	DESCRIPTION	QTY	REMARKS
1	278905107901	CAMSHAFT(INTAKE)	1	
2	278905107902	CAMSHAFT(EXHAUST)	1	
3	278905115403	GEAR,CAMSHAFT(REAR)	2	
-	13050505086	CYL PIN 4M6X8	2	
5	279705107801	OIL SEAL(CAMSHAFT)	1	
6	279705115403	TIMING GEAR(CAMSHAFT)FRONT	1	
7	279005119201	WASHER(FOR CAMSHAFT GEAR)	1	
8	279005103201	HEX BOLT(CAMSHAFT GEAR MTG)	1	
9	279705110101	ASSY,TENSIONER	1	
10	278905114801	CYLINDRICAL PIN(TENSIONER)	1	
-	278905118601	SPACER(TIMING BELT IDLER)	1	
12	278905116301	TIMING BELT	1	
13	278905113201	HEX.FLANGE BOLT	1	
14	278905110101	ASSY,IDLER	1	
15	278905110102	ASSY, TOUCH IDLER	1	
16	287242800101	VACCUM PUMP(CAMSHAFT DRIVEN)	1	

CHASSIS TYPE: ALL



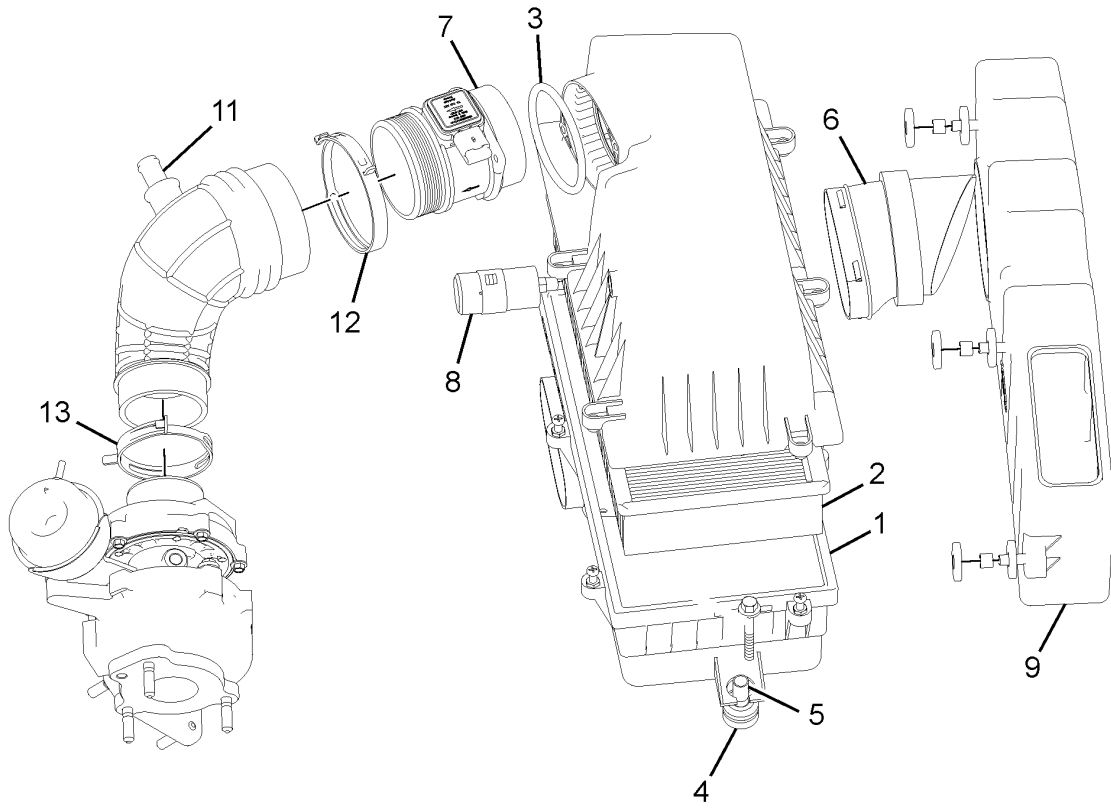
00.07.01		FUEL INJECTION EQUIPMENT		GROUP 07
CHASSIS TYPE: ALL				
FIG. NO.	PART NUMBER	DESCRIPTION	QTY	REMARKS
1	278907100101	ASSY,HIGH PRESSURE PUMP(DELPHI)	1	
2	278907123801	BRACKET-FIP MTG.	1	
6	278907123301	BRACKET-H.P.PUMP(SHEETMETAL)	1	
8	278907123302	INTAKE STIFFNER BRACKET	1	
9	278907123303	STIFFNER BRACKET(INTAKE MANIFOLD TO FIP)	1	
10	278907140106	ASSY.FUEL PRESSURE LINE-1(RAIL TO INJ.)	1	
11	278907140107	ASSY.FUEL PRESSURE LINE-2(RAIL TO INJ.)	1	
12	278907140108	ASSY.FUEL PRESSURE LINE-3(RAIL TO INJ.)	1	
13	278907140109	ASSY.FUEL PRESSURE LINE-4(RAIL TO INJ.)	1	
14	278907140110	ASSY.FUEL PRESSURE LINE-PUMP TO RAIL	1	
15	278907135401	TIMING GEAR(FIP)	1	
16	279707106501	NUT(FIP)	1	
17	278907140101	ASSY,FUEL RAIL	1	
21	278907140111	ASSY,SET BACK LEAK HOSES	1	
22	278907145804	HOSE (BACK LEAK)	1	

CHASSIS TYPE: ALL



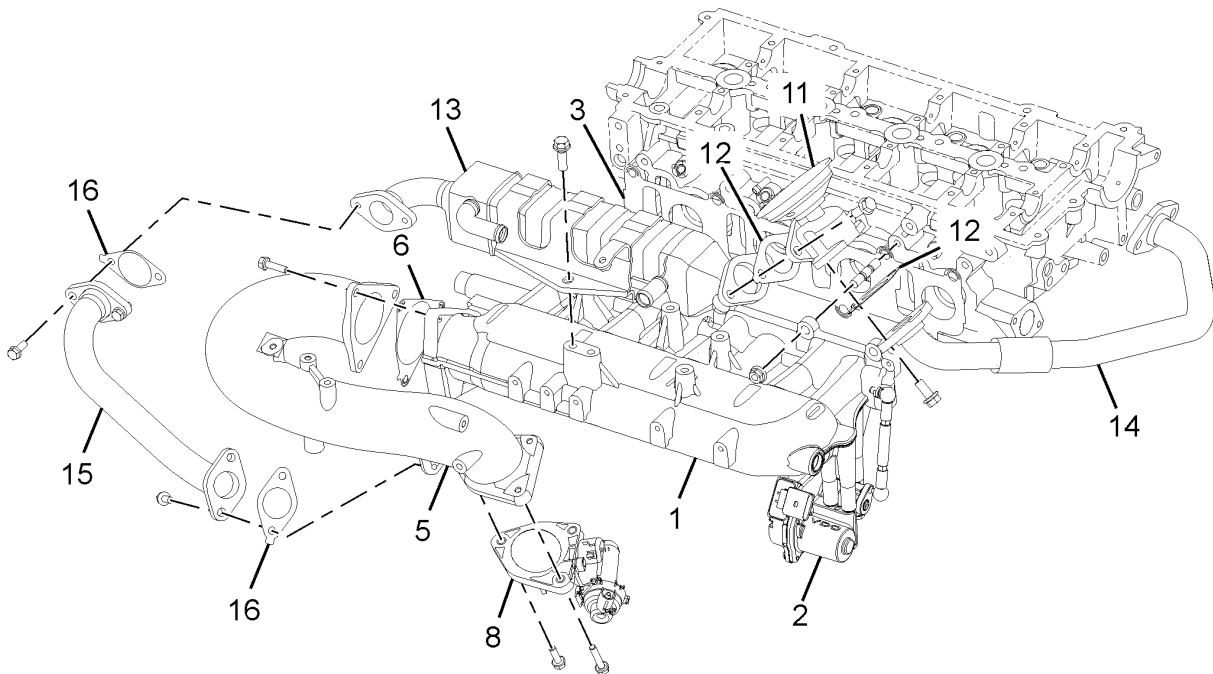
00.09.01		FUEL FILTER		GROUP 09	
CHASSIS TYPE: ALL					
FIG. NO.	PART NUMBER	DESCRIPTION	QTY	REMARKS	
1	253409110108	ASSY,FUEL FILTER	1	PART NO. WILL BE CONFIRMED LATER	
-	278909110107	ASSY,BRACKET WITH RUBBER STRAP	1		
-		FUEL FILTER CARTRIDGE	1		

CHASSIS TYPE: ALL



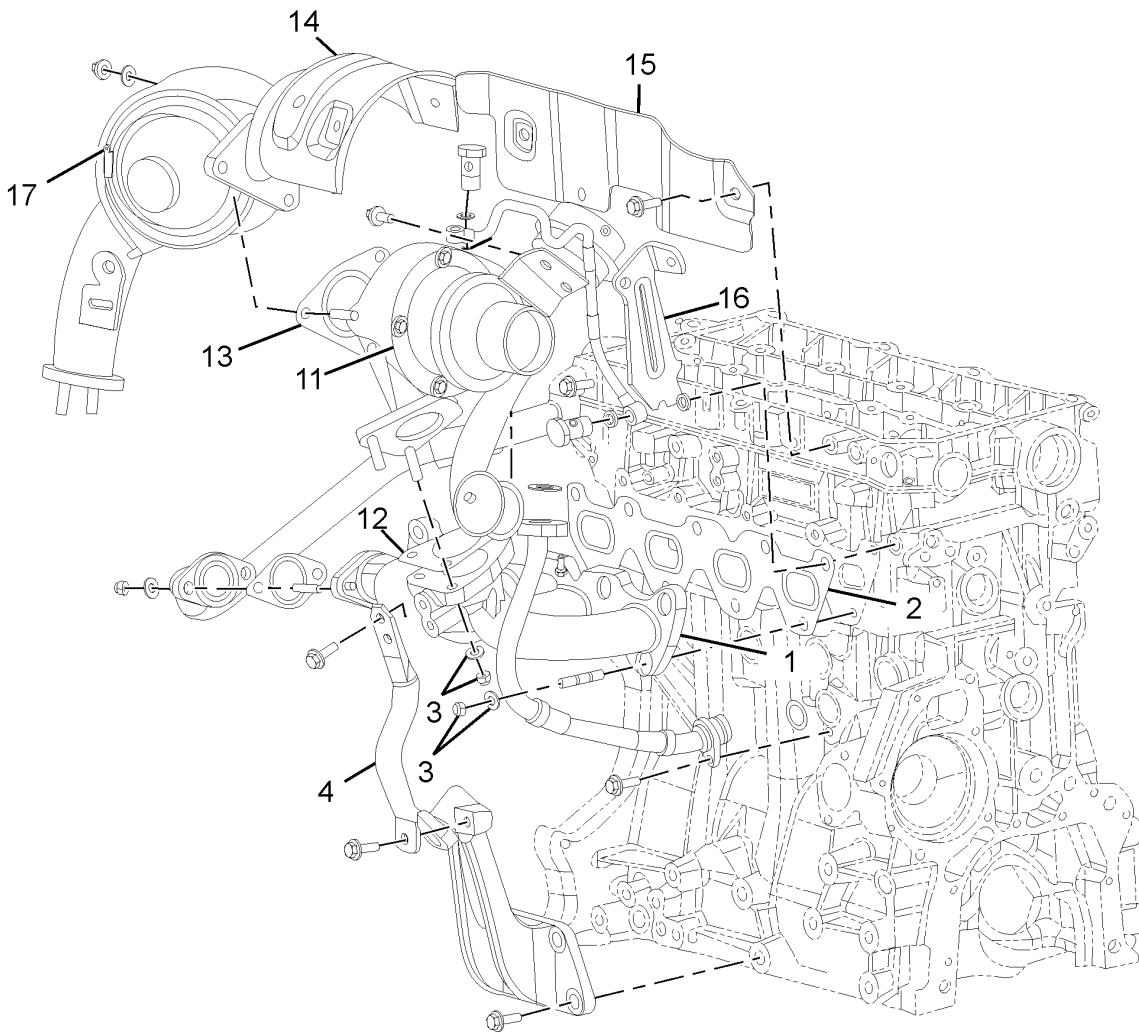
00.09.02		AIR FILTER		GROUP 09	
CHASSIS TYPE: ALL					
FIG. NO.	PART NUMBER	DESCRIPTION	QTY	REMARKS	
1	278909130108	ASSY,AIR FILTER+DUCT	1		
2	278909130106	AIR FILTER ELEMENT(MAHLE)	1		
3	278909139902	O RING	1		
4	254709137502	GROMMET	3		
5	254709136904	TUBE	3		
6	278909139903	AIR INLET DUCT(MAHLE)	1		
7	278915400103	ASSY,SIMAF SENSOR	1		
8	254709130135	ASSY,SERVICE INDICATOR	1		
9	278909130121	RESERVOIR(AIR INTAKE)	1		
11	278909130103	ASSY,HOSE-AIR FILTER OUTLET	1		
12	14300512900	SPRING BAND CLAMP(90DX12W)	1		
13	14300512705	SPRING BAND CLAMP(70DX12W)	1		

CHASSIS TYPE: ALL



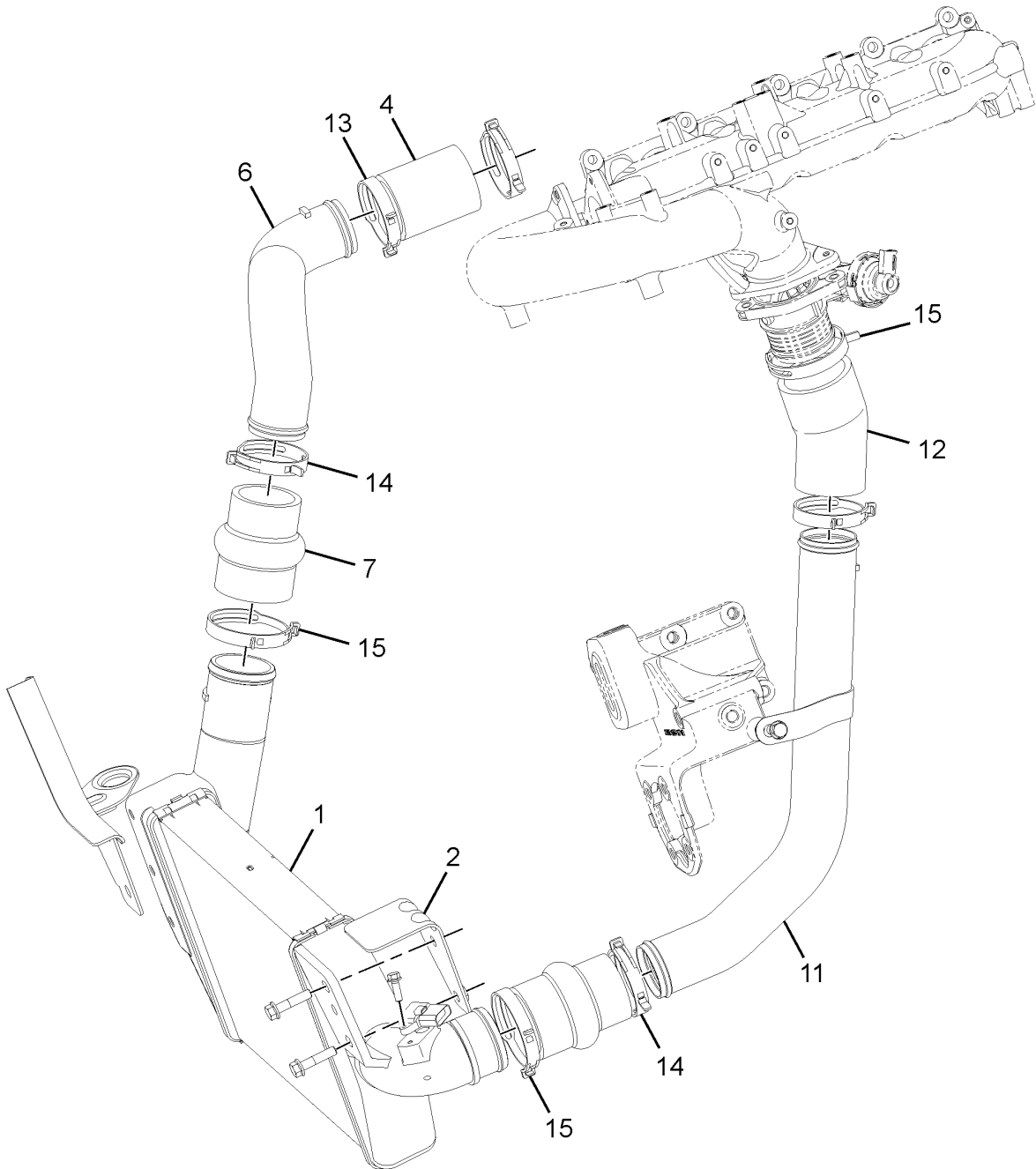
00.14.01		INTAKE SYSTEM AND EGR		GROUP 14
CHASSIS TYPE: ALL				
FIG. NO.	PART NUMBER	DESCRIPTION	QTY	REMARKS
1	278914100101	INTAKE MANIFOLD ASSY.INTAKE MANIFOLD W/SWIRL ACTUATOR	1	
2	278914100106	ASSY.SWIRL ACTUATOR	1	
3	278914105305	GASKET-INTAKE MANIFOLD	1	
5	278914103802	INTAKE PIPE	1	
6	278914105302	GASKET-INTAKE MANIFOLD TO PIPE	1	
8	278914100102	ASSY,THROTTLE VALVE (BOSCH)	1	
		EXHAUST GAS RECIRCULATION (EGR)		
11	278914110106	ASSY,EGR VALVE(PNEUMATIC)	1	
12	278914115304	GASKET(EGR VALVE TO EGR COOLER)(SANKAR)	2	
13	278914110110	ASSY.EGR COOLER(TATA TOYO)	1	
14	278914110108	ASSY,EGR PIPE(EXH.MANIFOLD TO EGR VALVE)	1	
15	278914110109	ASSY,EGR PIPE(EGR VALVE TO INTAKE PIPE)	1	
16	278914115306	GASKET-EGR PIPE TO EGR COOLER/INTAKE PIP	1	

CHASSIS TYPE: ALL



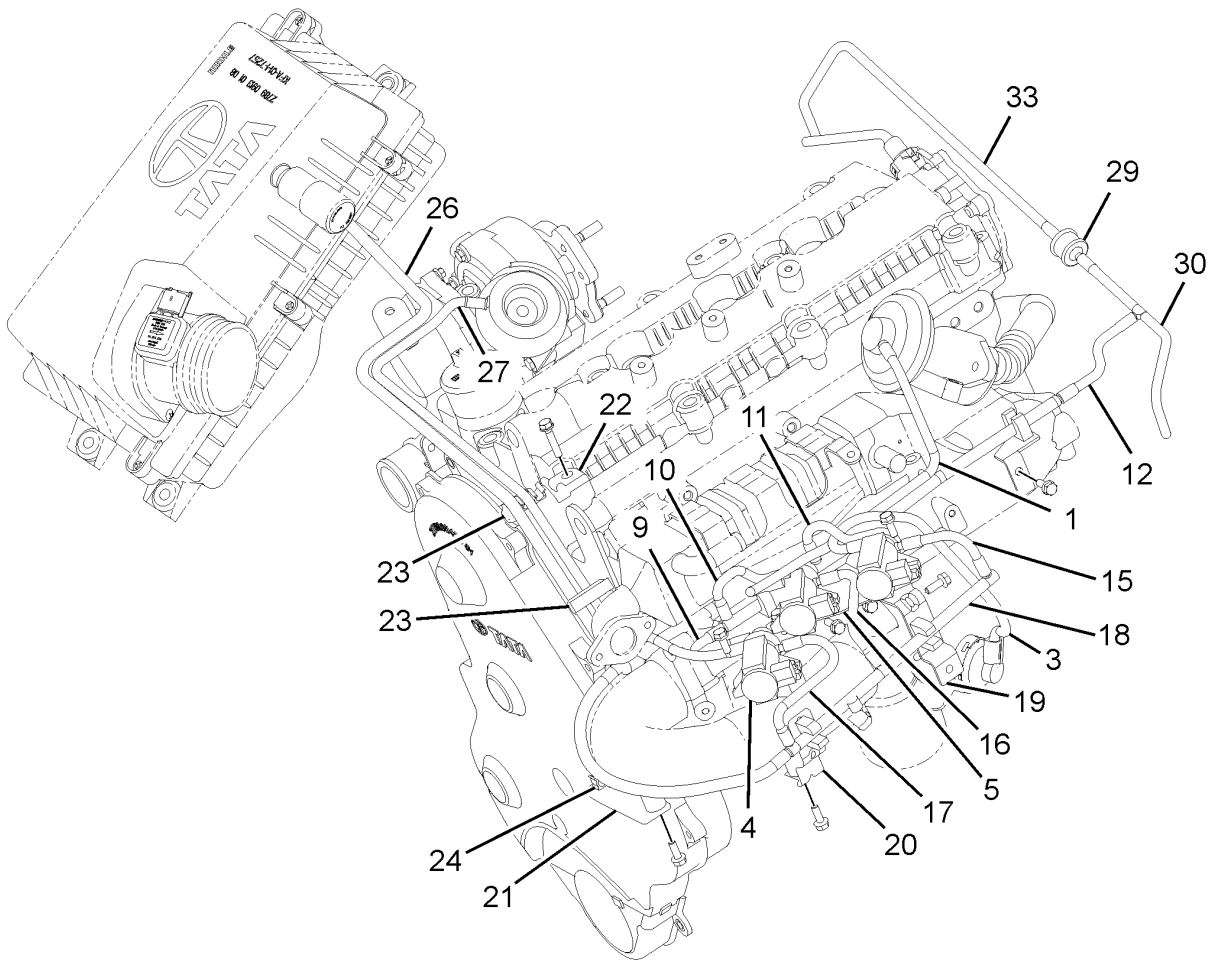
00.14.02		EXHAUST SYSTEM AND TURBOCHARGER		GROUP 14	
CHASSIS TYPE: ALL					
FIG. NO.	PART NUMBER	DESCRIPTION	QTY	REMARKS	
1	278914113701	EXHAUST MANIFOLD	1		
2	278914115303	GASKET,EXHAUST MANIFOLD	1		
3	279114116503	CLINCH NUT(SIMMONDS MARSHALL)	9		
4	278914116901	STIFFENER(EXHAUST MANIFOLD)	1		
TURBOCHARGER					
11	278914510101	TURBOCHARGER	1		
12	278914515303	GASKET,TURBOCHARGER INLET	1		
13	278914515304	GASKET,TURBOCHARGER OUTLET	1		
14	278914110103	ASSY,HEAT SHIELD(TURBOCHARGER)	1		
15	278914110105	ASSY,HEAT SHIELD(CYL. HEAD SIDE)	1		
16	278914510103	ASSY,BRACKET(TC HEAT SHIELD BLOCKSIDE)	1		
17	278914510102	ASSY,CLOSE CAT.CONVERTER	1		
-	278914518201	BRACKET,CLOSE COUPLED CAT CON.	1		
-		REPAIR KIT FOR TURBOCHARGER	1	- PART NO. WILL BE CONFIRMED LATER	

CHASSIS TYPE: ALL



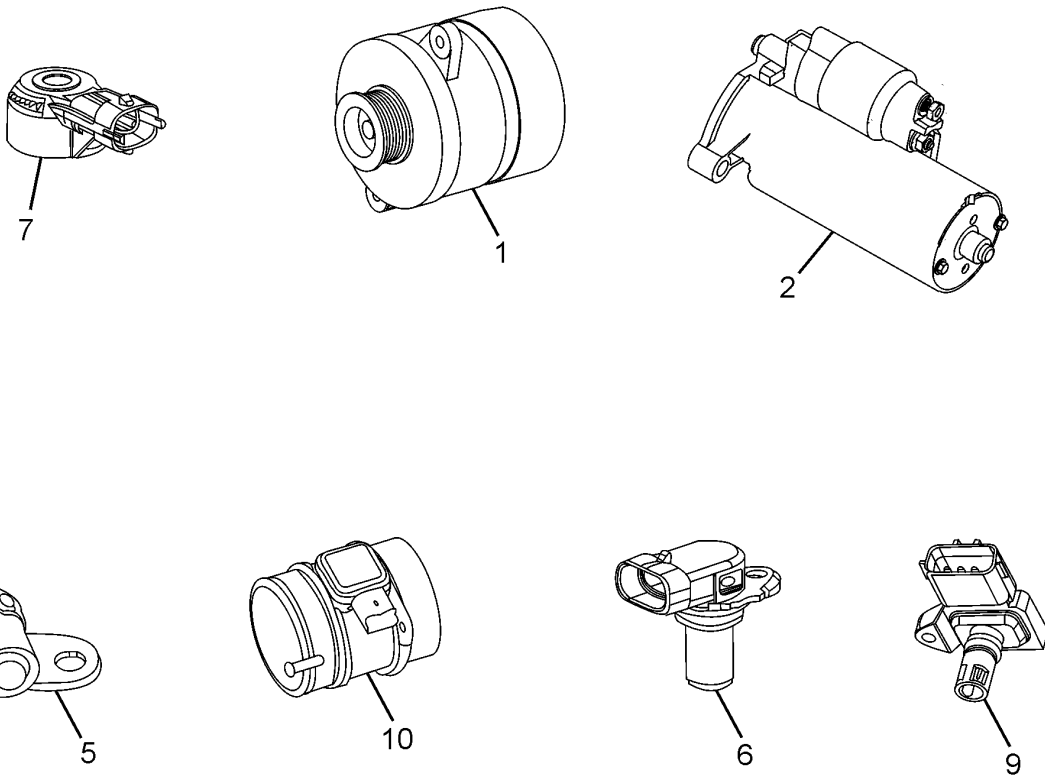
00.14.03		INTERCOOLER		GROUP 14	
CHASSIS TYPE: ALL					
FIG. NO.	PART NUMBER	DESCRIPTION	QTY	REMARKS	
1	278914609901	INTERCOOLER(TATA TOYO)	1		
2	278914600102	ASSY,BRACKET(INTERCOOLER MTG.)(LH)	1		
4	278914515801	RUBBER HOSE(TURBOCHARGER TO IC PIPE)	1		
6	278914606903	PIPE(T.C TO I.C.)	1		
7	278914605803	RUBBER HOSE(IC INLET/OUTLET)	2		
11	278914600103	ASSY,PIPE(IC TO INTAKE THROTTLE)	1		
12	278914105801	RUBBER HOSE (INTAKE THROTTLE)	1		
13	14300512608	SPRING BAND CLAMP 60DX12W TS17665	2		
14	14300512608	SPRING BAND CLAMP 60DX12W TS17665	2		
15	14300512705	SPRING BAND CLAMP 70DX12W TS17666	4		

CHASSIS TYPE: ALL



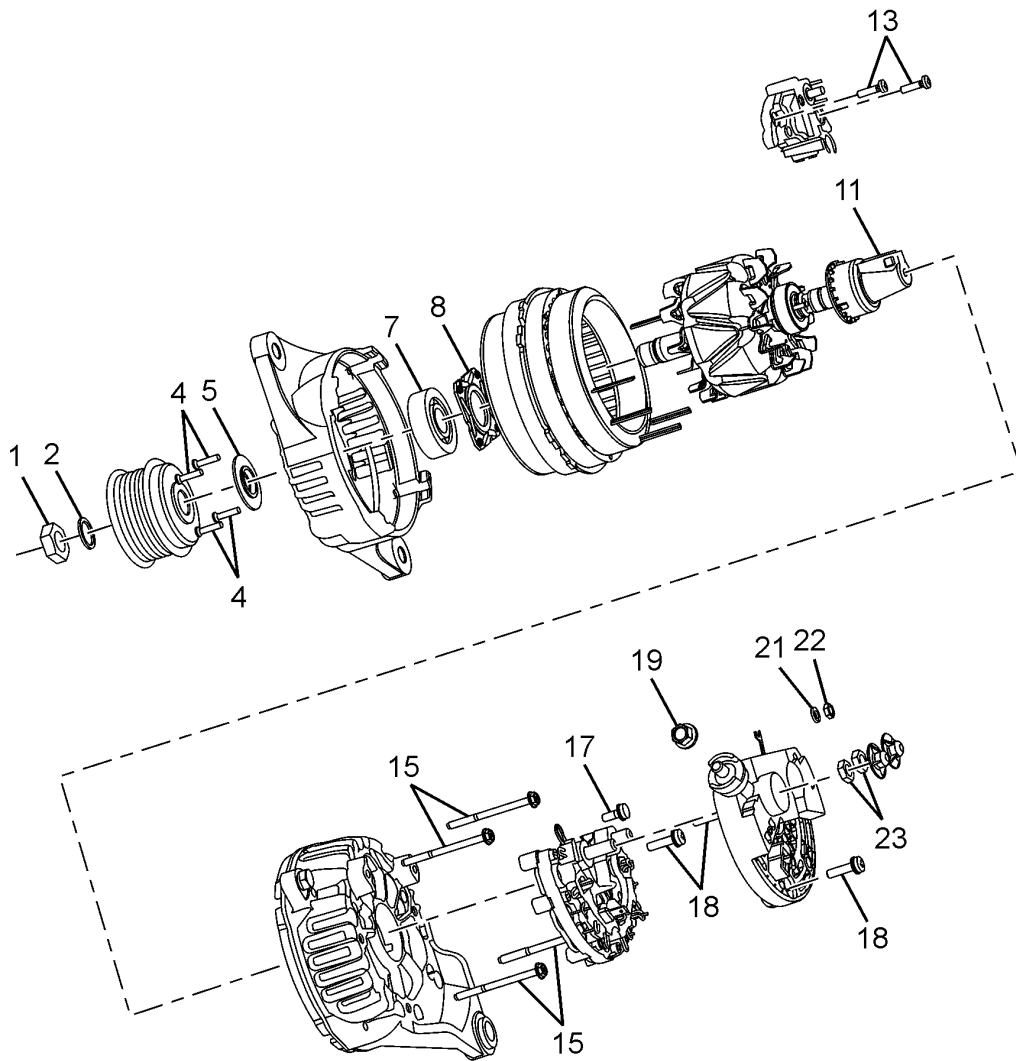
00.14.04		VACUUM ROUTINE		GROUP 14
CHASSIS TYPE: ALL				
FIG. NO.	PART NUMBER	DESCRIPTION	QTY	REMARKS
1	278914115809	HOSE(EVR TO EGR VALVE)	1	
3	278914115807	HOSE(EVR TO INTAKE THROTTLE)	1	
4	253414110139	VACUUM MODULATOR W/O FILTER PIERBURG	3	
5	278914110114	ASSY,BRACKET(VACUUM MODULATOR MTG.)	1	
9	278914115804	HOSE EVRV 1	1	
10	278914115805	HOSE EVRV 2	1	
11	278914115806	HOSE EVRV 3	1	
12	278914110124	ASSY,TUBE VACCUM TO EVRV	1	
15	278914115801	HOSE EVRV VENT 1	1	
16	278914115802	HOSE EVRV VENT 2	1	
17	278914115803	HOSE EVRV VENT 3	1	
18	278914110125	ASSY,TUBE EVR VENT	1	
19	278914110128	ASSY,BRACKET(VACUUM MODULATOR PIPE MTG)	1	
20	278914113307	BRACKET(VACUUM MODULATOR PIPE)	1	
21	278914113310	BRACKET(VENT HOSE EVRV)	1	
22	278914113309	BRACKET(FOR EVR ROUTING)	1	
23	278914114202	CLAMP-EVRV HOSE(FOR 3 HOSES EXOTECH)	2	
24	278914114203	CLAMP-EVRV HOSE(FOR 1 HOSE EXOTECH)	1	
26	278914115811	HOSE	1	
27	278914115810	HOSE	1	
29	287243700101	ONE WAY CHECK VALVE (NRV IN EVRV CKT)	1	
30	278914110131	VACUUM HOSES	1	
-	278914115808	HOSE (TUBE TO NON RETURN VALVE)	1	
33	278914115813	HOSE (VACUUM LINE TO NRV)	1	

CHASSIS TYPE: ALL



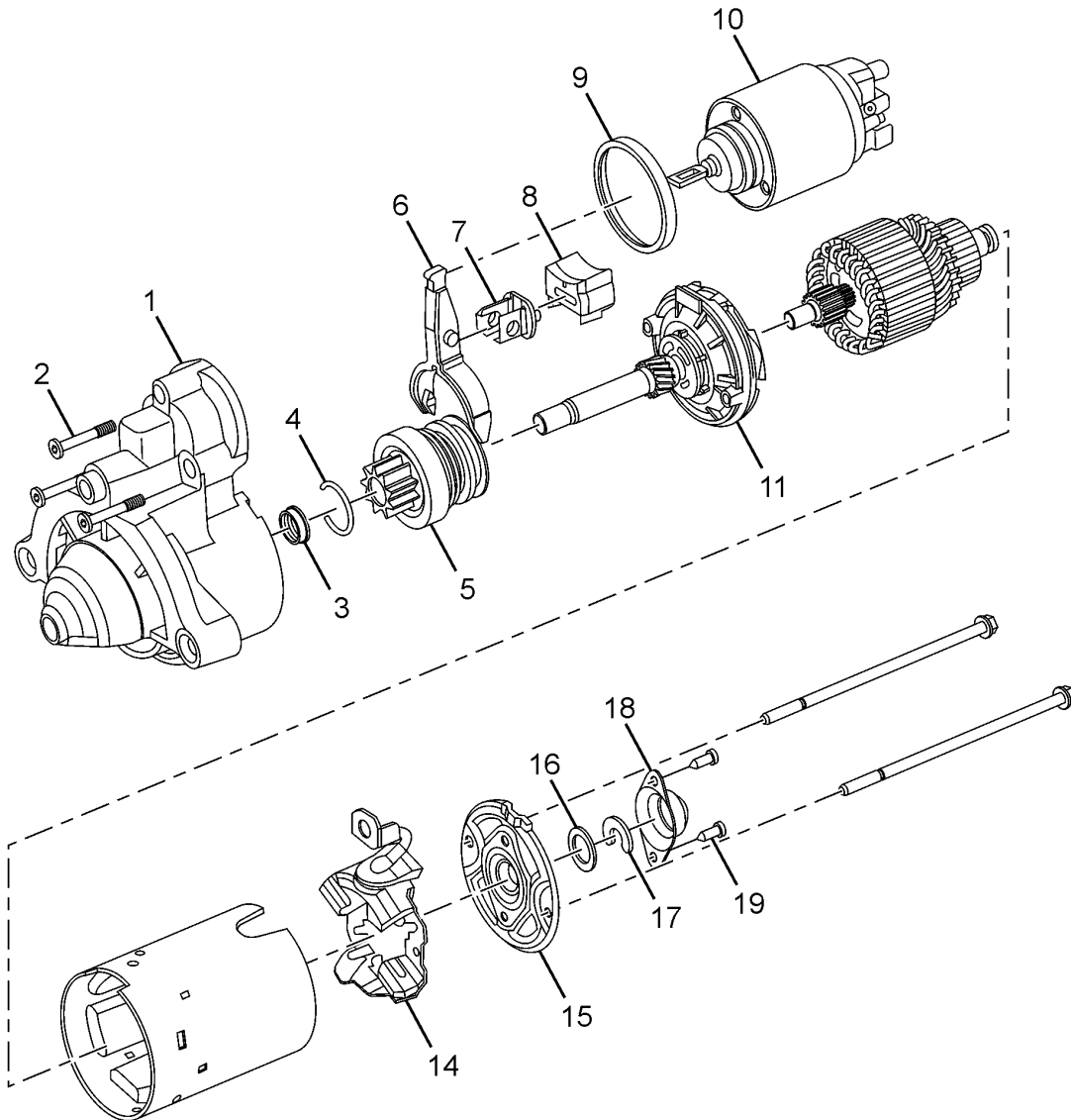
00.15.01		ENGINE ELECTRICALS		GROUP 15
CHASSIS TYPE: ALL				
FIG. NO.	PART NUMBER	DESCRIPTION	QTY	REMARKS
1	269915400116	ALTERNATOR INT.FAN-125A-PULL.64-LUCAS	1	OPTIONAL
1	269915400122	ALTERNATOR INT.FAN-125A-PULL.64-MICO	1	OPTIONAL
2	269915400118	STARTER MOTOR GRD. M74-LUCAS	1	OPTIONAL
2	269915400119	STARTER MOTOR GRD. R74-E35-MICO	1	OPTIONAL
-	279715209901	ENGINE CONTROL UNIT(70PS)(EURO-IV)	1	
5	269915409944	CRANK POSITION SENSOR(CPS)	1	
6	269915409945	CAM SENSOR	1	
7	269915409943	KNOCK SENSOR	1	
-	284354209931	TEMP SENSOR 2K2	1	
9	278915400101	ASSY,T MAP SENSOR	1	
10	278915400103	ASSY,SIMAF SENSOR	1	
-	279715409901	GLOW PLUG	4	
-	269954209968	TEMPERATURE TRANSDUCER EMS DIAGNOSTIC KIT	1 1	PART NO. WILL BE CONFIRMED LATER.

CHASSIS TYPE: ALL



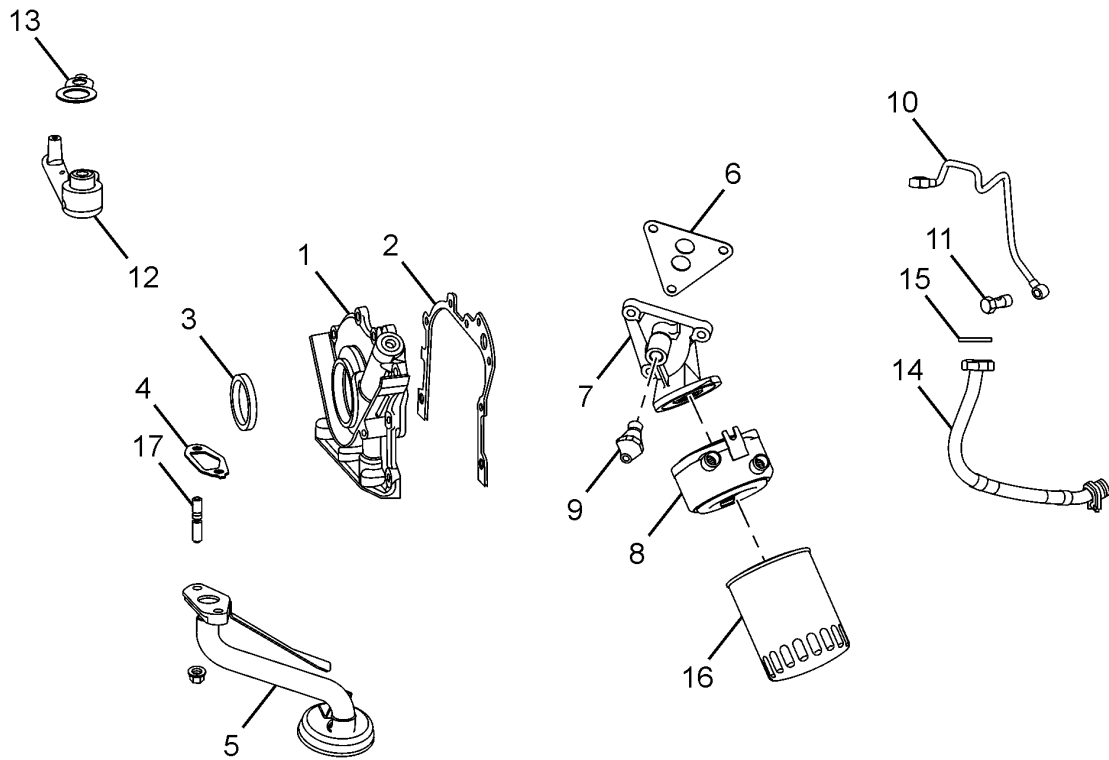
00.15.02		ALTERNATOR(MICO-M74)		GROUP 15
CHASSIS TYPE: ALL				
FIG. NO.	PART NUMBER	DESCRIPTION	QTY	REMARKS
1	269915406500	HEXAGON NUT	1	
2	269915409200	SPRING WASHER	1	
4	269915408000	COUNTERSUNK-HEAD SCREW	1	
5	269915408600	SPACER RING	1	
7	269915403100	DEEP GROOVE BALL BEARING	1	
8	269915404700	COVER PLATE	1	
11	269915400126	FITTING RING	1	
13	269915408001	OVER-HEAD SCREW	1	
15	269915408002	HEXAGON SCREW	1	
17	269915400128	WASHER & SCREW ASSEMBLY	1	
18	269915400129	WASHER & SCREW ASSEMBLY	1	
19	269915406501	FLANGE NUT	1	
21	269915409200	SPRING WASHER	1	
22	269915406502	HEXAGON NUT	1	
23	269915406503	HEXAGON NUT	1	

CHASSIS TYPE: ALL



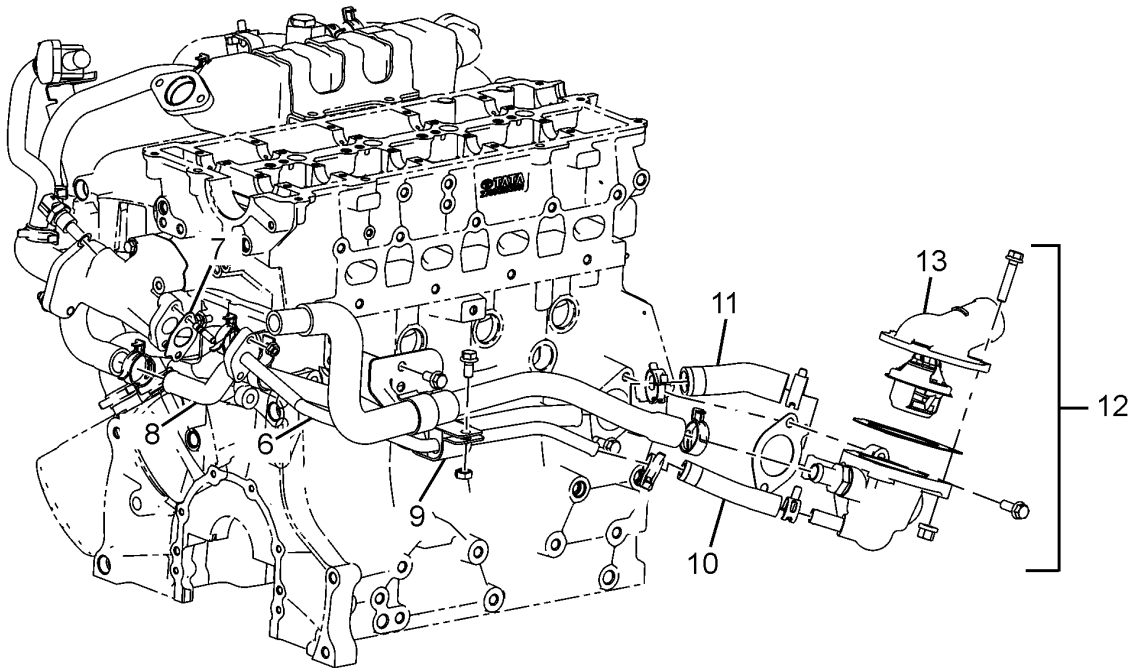
00.15.03		STARTER MOTOR(MICO-M74)		GROUP 15
CHASSIS TYPE: ALL				
FIG. NO.	PART NUMBER	DESCRIPTION	QTY	REMARKS
1	269915103700	DRIVE END SHIELD	1	
2	269915108000	COUNTER SUNK SCREWS	3	
3	269915104400	RETAINER	1	
4	269915100102	STOP RING	1	
5	269915100103	OVER RUNNING CLUTCH DRIVE	1	
6	269915100104	FORK LEVER	1	
7	269915100105	BEARING PEDESTAL	1	
8	269915107800	SEAL	1	
9	269915107700	SEALING RING	1	
10	269915100106	SOLENOID SWITCH	1	
11	269915100107	EPICYCLOIDAL GEAR TRAIN	1	
14	269915100110	BRUSH HOLDER	1	
15	269915100111	COMMUTATOR END SHIELD	1	
16	269915108300	SHIM	1	
17	269915109200	RETAINING WASHER	1	
18	269915100112	CLOSURE CAP	1	
19	269915108001	SCREW	2	

CHASSIS TYPE: ALL



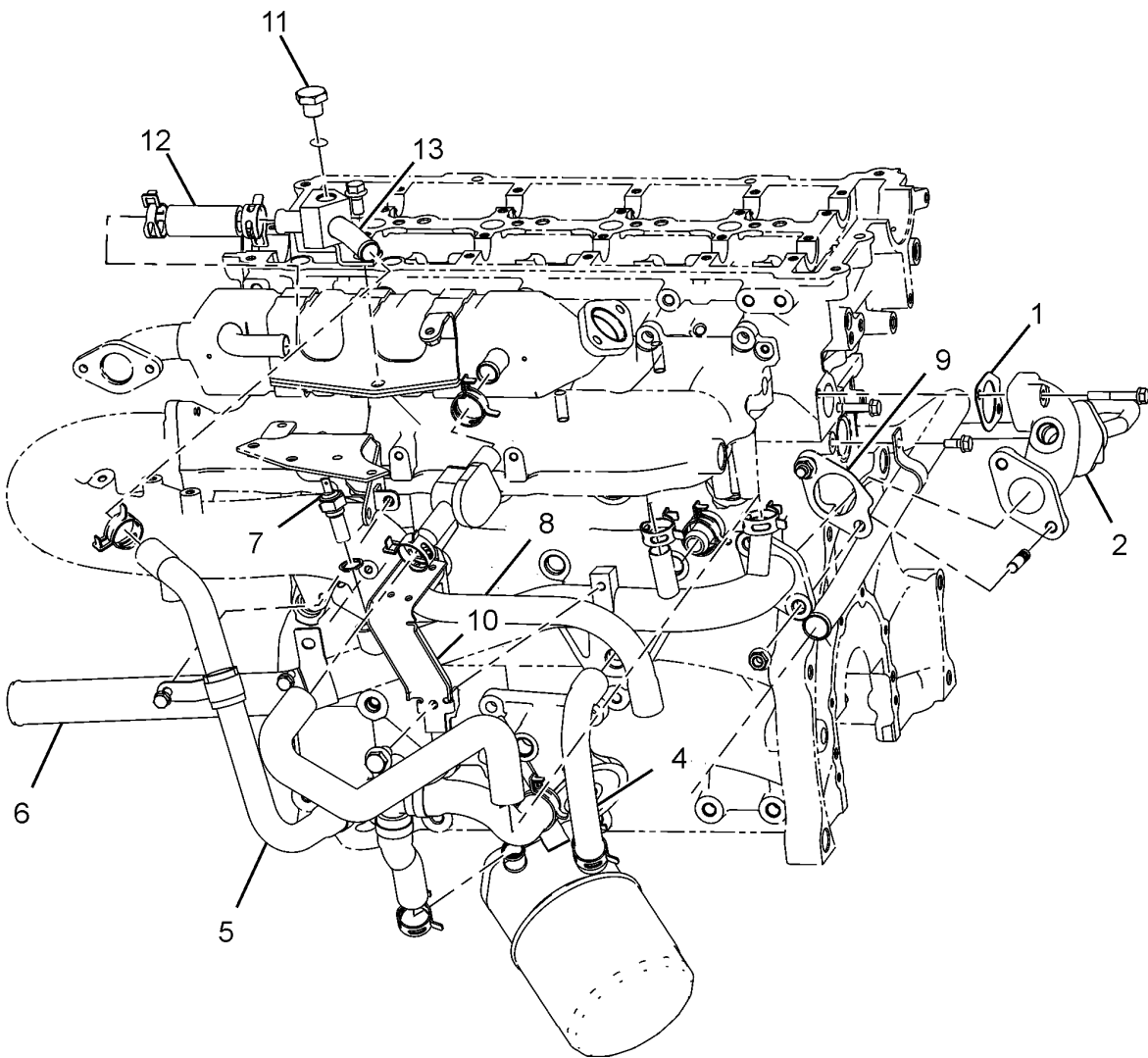
00.18.01		LUBRICATION SYSTEM		GROUP 18	
CHASSIS TYPE: ALL					
FIG. NO.	PART NUMBER	DESCRIPTION	QTY	REMARKS	
1	278918100101	ASSY,OIL PUMP	1		
1	278918100102	ASSY,OIL PUMP	1		
2	278918105301	GASKET-OIL PUMP	1		
3	278901107805	OIL SEAL-CRANKSHAFT FRONT	1		
4	278918155302	GASKET-OIL PUMP TO STRAINER	1		
5	278918150101	ASSY,STRAINER	1		
6	278918175304	GASKET-OIL FILTER ADAPTOR	1		
7	278918133802	ADAPTOR(OIL COOLER/OIL FILTER MTG)	1		
8	278918170101	ASSY,OIL COOLER	1		
9	278918133201	ADAPTOR BOLT(OIL COOLER/OIL FILTER MTG)	1		
10	278918170104	ASSY,OIL FEEDER LINE(CYL.HEAD TO TC)	1		
11	279018173201	PIPE UNION BOLT(OIL FEEDER & BOOST LINE)	2		
12	278918170102	ASSY,PISTON COOLING NOZZLE	4		
13	278918175302	GASKET-PISTON COOLING NOZZLE	1		
14	278918170105	ASSY,TUBE-TURBO OIL RETURN	1		
15	254714135302	GASKET(ASSY. TUBE TO TC)	1		
16	254718130106	ASSY,OIL FILTER	1		
17	11635206162	STUD CM6X16	2		
-		REPAIR KIT/CHILD PARTS OF OIL PUMP	1		

CHASSIS TYPE: ALL



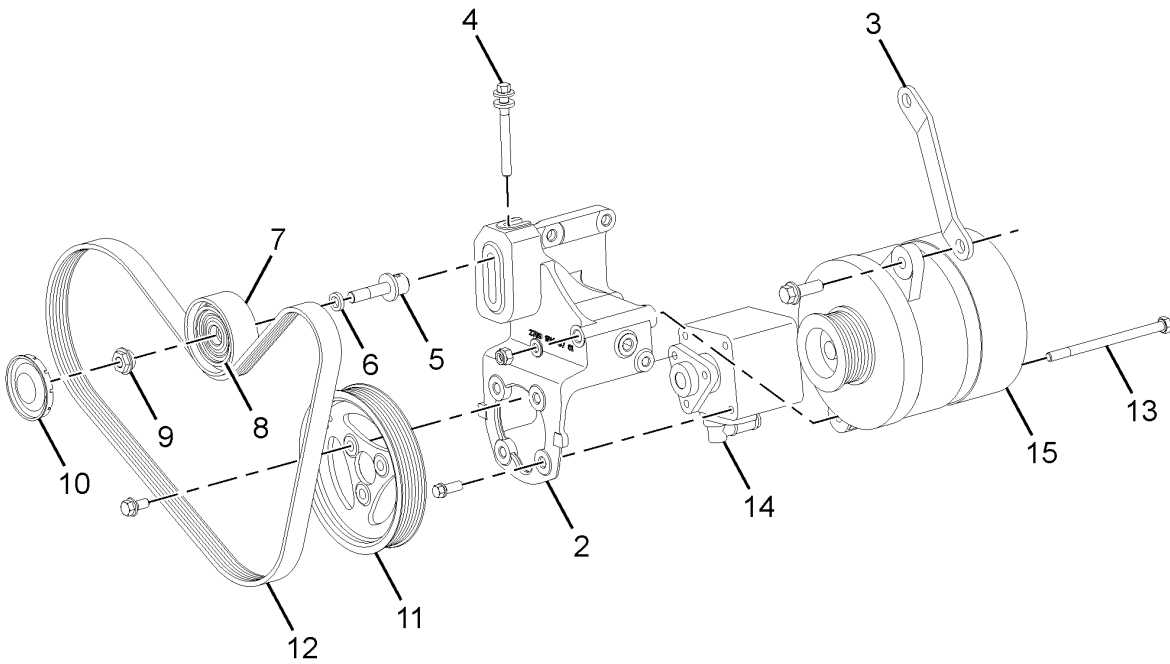
00.20.01		ENGINE COOLING-1		GROUP 20	
CHASSIS TYPE: ALL					
FIG. NO.	PART NUMBER	DESCRIPTION	QTY	REMARKS	
01	278920100101	ASSY,WATER PUMP	1	OPTIONAL	
01	278920100102	ASSY,WATER PUMP	1	OPTIONAL	
-	278920105302	GASKET,WATER PUMP	1		
-	278920126302	THERMOSTAT HOUSING	1		
06	278920120111	ASSY,PIPE-COOLANT BYPASS	1		
07	278920125306	GASKET-ELBOW TO BYPASS PIPE	1		
08	278920120106	ASSY,COOLANT PIPE(EGR/OIL COOLER RETURN)	1		
09	278920120110	ASSY,CLAMP(COOLING PIPES)	1		
10	278920125810	RUBBER HOSE-BYPASS PIPE-THERMOSTAT HSG.	1		
11	278920125809	RUBBER HOSE-EGR/OIL COOLER TO THERMOSTAT	1		
12	278920120113	ASSY,THERMOSTAT COMPLETE	1		
13	278920129901	THERMOSTAT 88 SOT	1		

CHASSIS TYPE: ALL



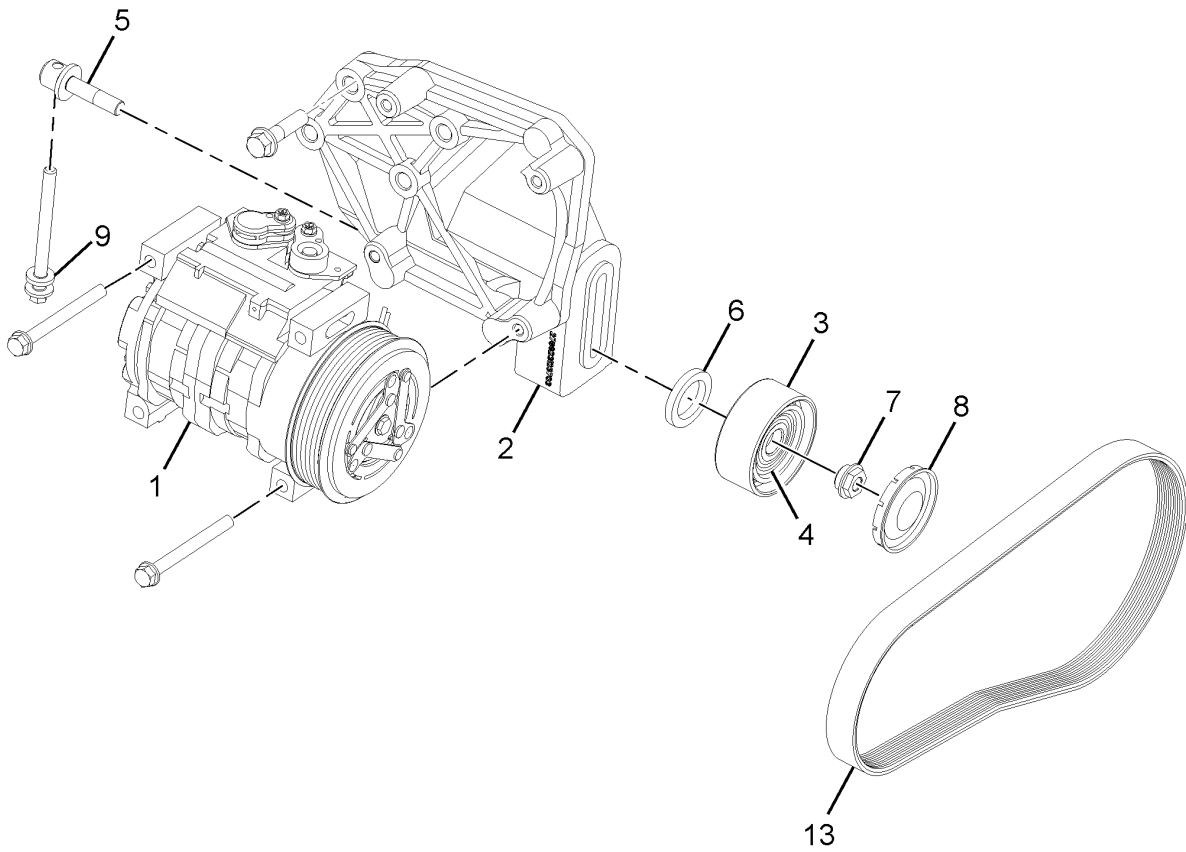
00.20.02		ENGINE COOLING-2		GROUP 20	
CHASSIS TYPE: ALL					
FIG. NO.	PART NUMBER	DESCRIPTION	QTY	REMARKS	
1	254720125308	GASKET (ELBOW TO CYL.CRANKCASE)	1		
2	278920123803	WATER OUTLET ELBOW(CYLINDER HEAD)	1		
-	278920125305	GASKET-CYL.HEAD WATER OUTLET	1		
4	278920125804	RUBBER HOSE-CRANKCASE TO OIL COOLER	1		
5	278920120102	ASSY,SPIDER HOSE	1		
6	278950100115	ASSY,UPPER COOLING PIPE	1		
7	269954209968	TEMPERATURE TRANSDUCER	1		
8	278950105804	HOSE-UPPER COOLING PIPE TO EGR COOLER	1		
9	278920125310	GASKET,UC LINE TO ELBOW	1		
10	278920123301	BRACKET,WATER VALVE	1		
11	278920128001	BLEEDING SCREW(ON COOLANT RETURN HOSE)	1		
12	278920125816	RUBBER HOSE(EGR COOLER TO ADAPTOR)	1		
13	278920120114	ASSY,VENT ADAPTOR	1		

CHASSIS TYPE: ALL



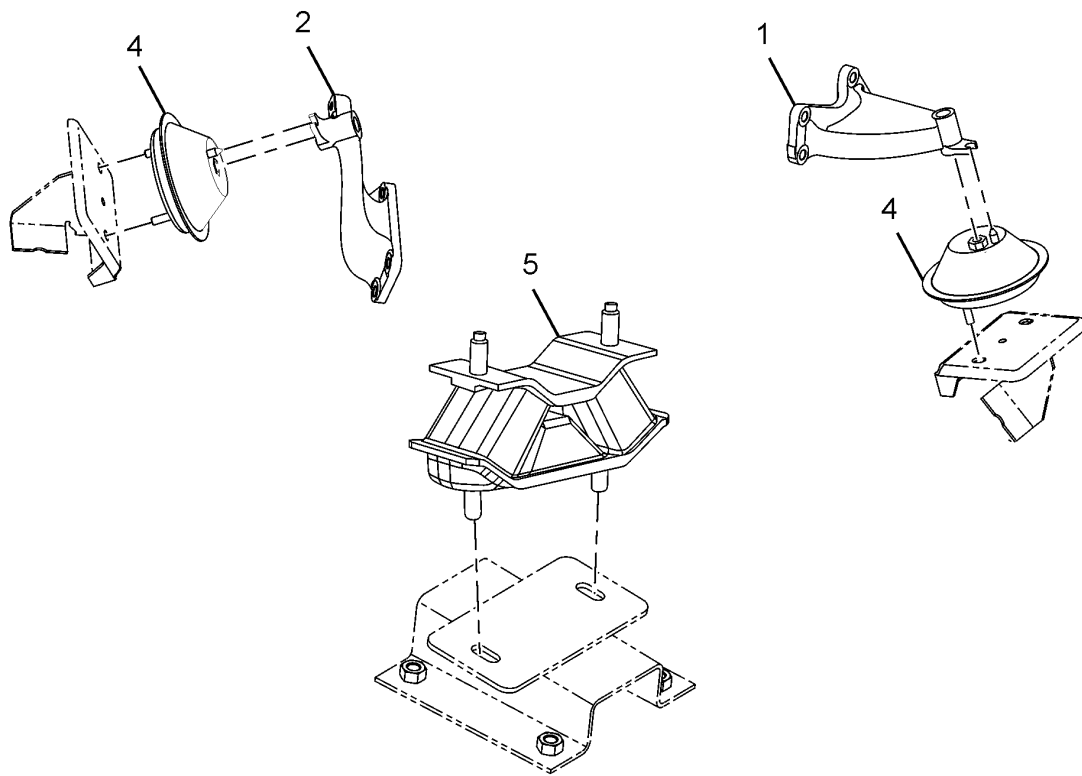
00.23.01		DRIVE ARRANGEMENT		GROUP 23	
CHASSIS TYPE: ALL					
FIG. NO.	PART NUMBER	DESCRIPTION	QTY	REMARKS	
2	278915143701	BRACKET-ALTERNATOR & PSTG.PUMP MOUNTING	1		
3	278915143301	BRACKET,ALTERNATOR TENSIONER	1		
4	254715148001	TENSIONING SCREW(ALTERNATOR BELT)	1		
5	254723123205	SLIDER BOLT	1		
6	254723128603	SPACER(BEARING)	1		
7	254723127014	ROLLER(AC BELT TENSIONER)	1		
8	254723123101	D.G.BALL BEARING(6303-2RS1/C3HTF7)	1		
9	254723126511	SPECIAL NUT (ROLLER)	1		
10	254723126337	PROTECTIVE CAP (FOR BEARING)	1		
11	254723117022	PULLEY 6PK(ZF-CP1 PUMP)	1		
12	278923116302	6PK EPDM BELT-1150(ALT+PSTG)(GATES)	1		
13	11071710957	FL BOLT(M10X130)	1		
14	269946600243	ASSY,P/STG PUMP(85+15 BAR)(M/S Z/F)	1		
15	269915400122	ALTERNATOR	1	OPTIONAL	
15	269915400116	INT.FAN-120A-PULL-64-MICO ALTERNATOR INT.FAN-125A-PULL-64-LUCAS	1	OPTIONAL	

CHASSIS TYPE: 374557; 374558



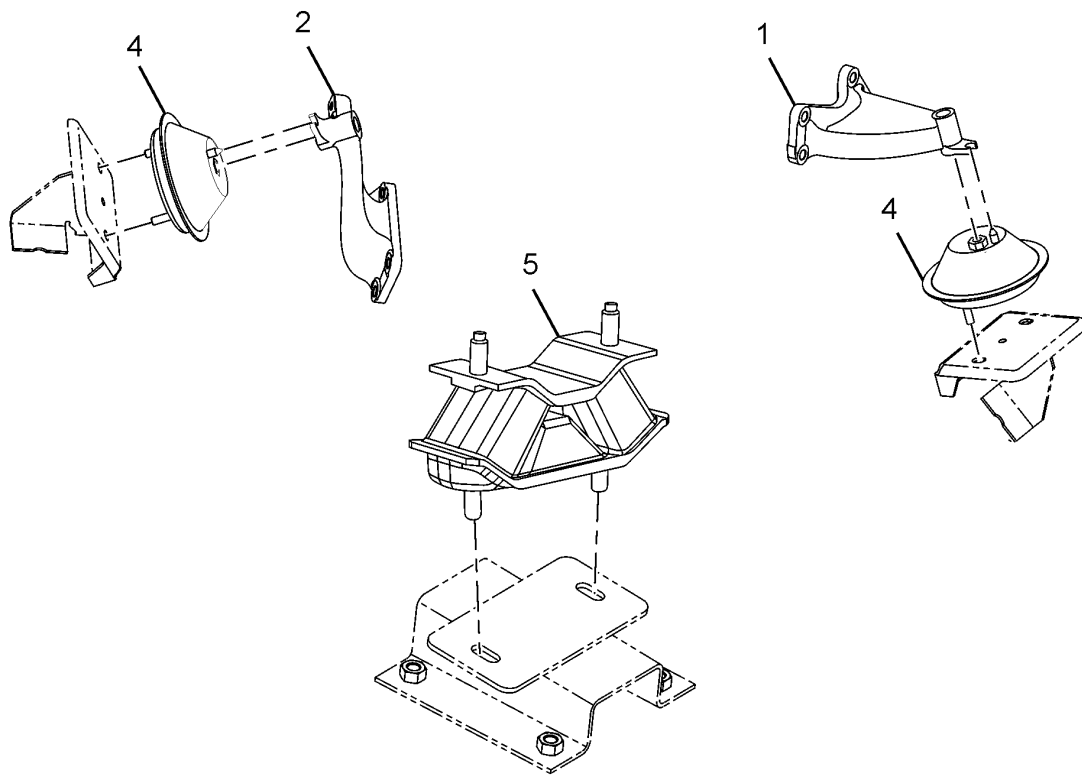
00.23.02		A/C COMPRESSOR DRIVE ARRANGEMENT		GROUP 23	
CHASSIS TYPE: 374557; 374558					
FIG. NO.	PART NUMBER	DESCRIPTION	QTY	REMARKS	
1	278923120105	ASSY,A/C COMPRESSOR	1		
2	278923123705	BRACKET-SUBROS 10S11 A/C COMP. MTG	1	OPTIONAL	
2	278923123707	BRACKET-SUBROS 10S11 A/C COMP. MTG	1	OPTIONAL	
3	254723127014	ROLLER(AC BELT TENSIONER)	1		
4	254723123101	D.G.BALL BEARING(6303-2RS1/C3HTF7)	1		
5	254723123205	SLIDER BOLT	1		
6	254723128603	SPACER(BEARING)	1		
7	254723126511	SPECIAL NUT(ROLLER)	1		
8	254723126337	PROTECTIVE CAP(FOR BEARING)	1		
9	254715148001	TENSIONING SCREW(ALTERNATOR BELT)	1		
13	278923126302	6PK EPDM BELT-875(A/C)(GATES)	1		

CHASSIS TYPE: 374508; 374558; 374506



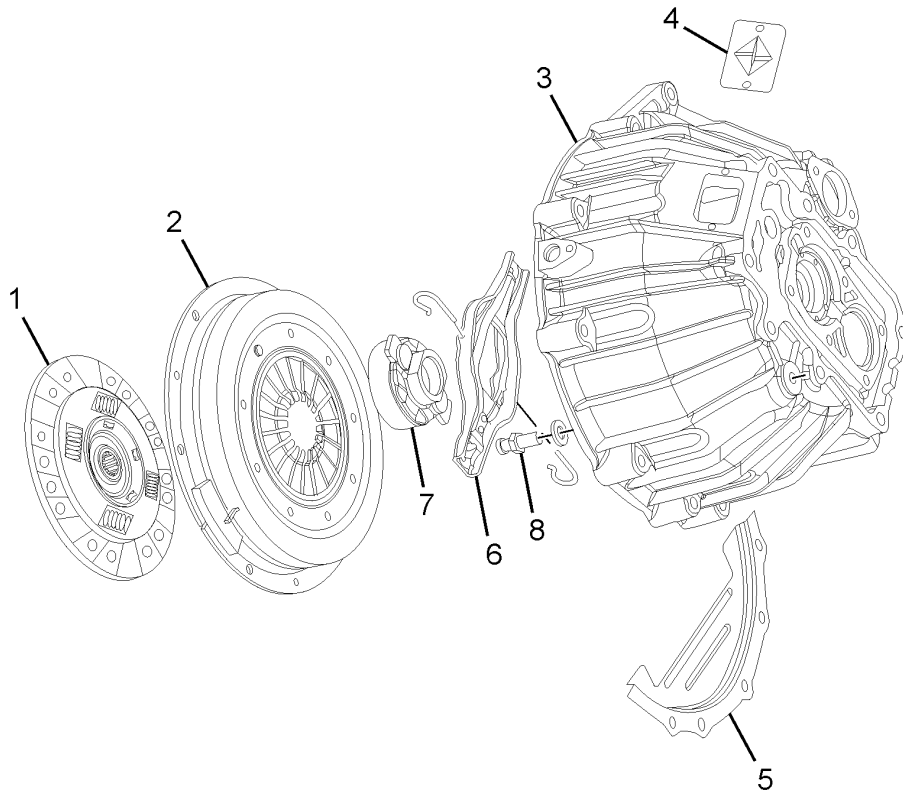
00.24.01A		ENGINE SUSPENSION		GROUP 24	
CHASSIS TYPE: 374508; 374558; 374506					
FIG. NO.	PART NUMBER	DESCRIPTION	QTY	REMARKS	
1	278922123701	ENGINE MOUNTING ARM-LEFT	1		
2	278922123702	ENGINE MOUNTING ARM-RIGHT	1		
4	278924100102	ENGINE MOUNT FRONT(SVIL)	2		
5	278924200103	ASSY,ENGINE MOUNT REAR(4X2)	1		
-	278922100101	LIFTING HOOK-FRONT	1		
-	278922207101	LIFTING HOOK-REAR	1		

CHASSIS TYPE: 374536; 374557



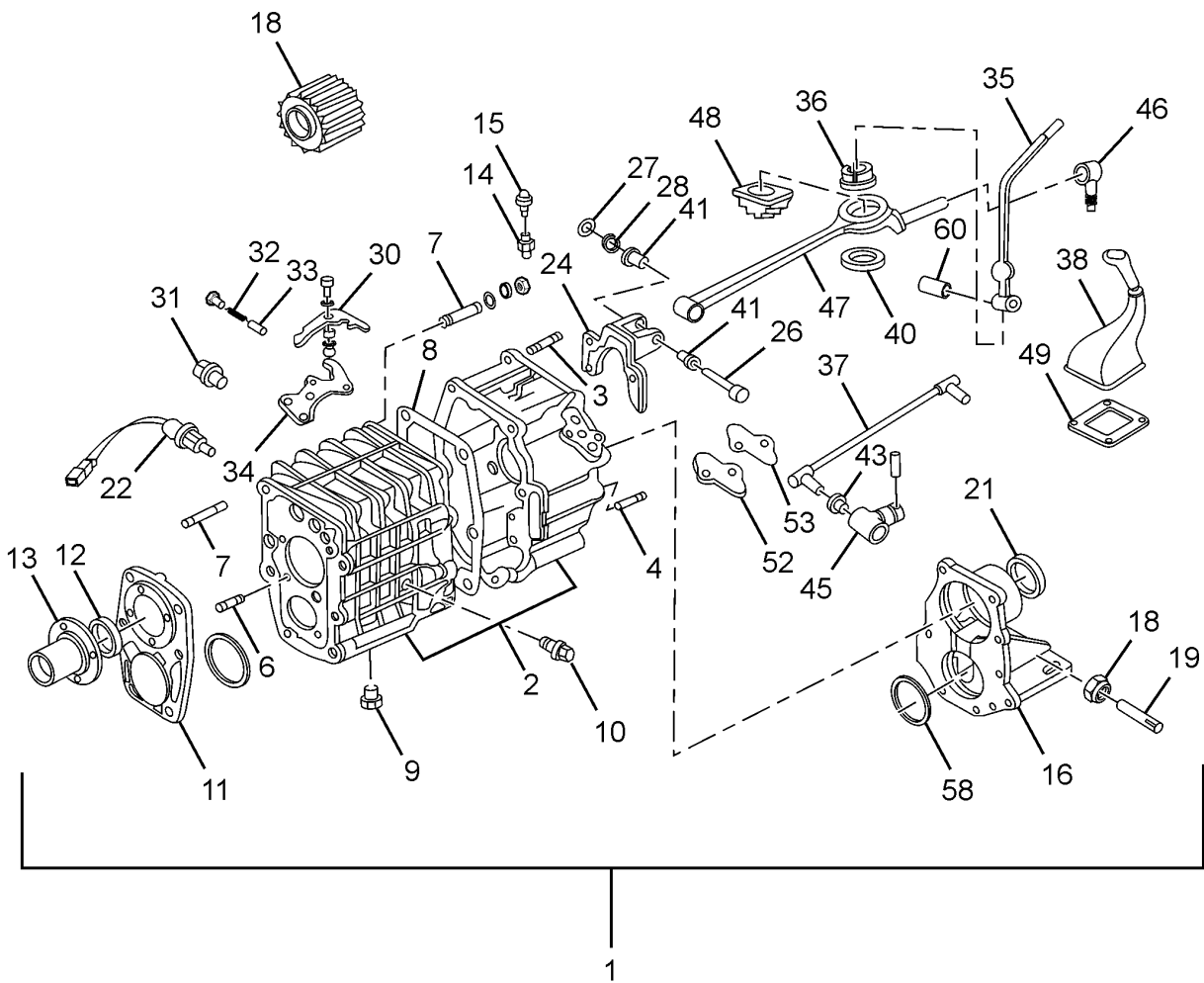
00.24.01B		ENGINE SUSPENSION		GROUP 24	
CHASSIS TYPE: 374536; 374557					
FIG. NO.	PART NUMBER	DESCRIPTION	QTY	REMARKS	
1	278922123701	ENGINE MOUNTING ARM-LEFT	1		
2	278922123702	ENGINE MOUNTING ARM-RIGHT	1		
4	278924100102	ENGINE MOUNT FRONT(SVIL)	2		
5	278924200104	ASSY,ENGINE MOUNT REAR(4X4)	1		
-	278922100101	LIFTING HOOK-FRONT	1		
-	278922207101	LIFTING HOOK-REAR	1		

CHASSIS TYPE: ALL



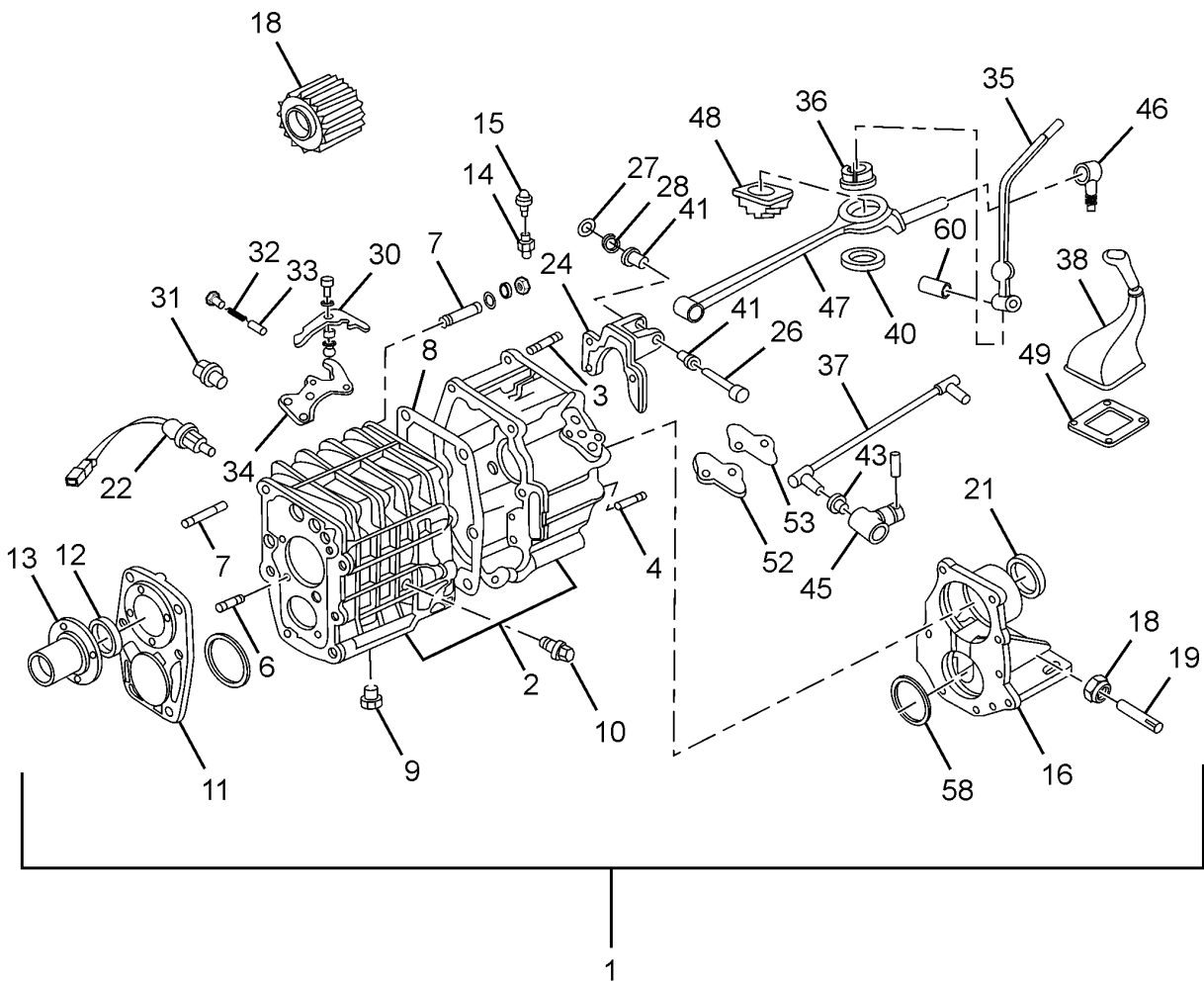
00.25.01		CLUTCH		GROUP 25	
CHASSIS TYPE: ALL					
FIG. NO.	PART NUMBER	DESCRIPTION	QTY	REMARKS	
01	272425200125	ASSY240 DIA.DRIVEN PLATE-DICOR	1		
02	272425400121	ASSY240 DIA.CLUTCH COVER-DICOR	1		
03	272425100127	ASSY,CLUTCH HOUSING	1		
04	254725108203	COVER,UPPER(CLUTCH HOUSING)	1		
05	272425108205	BACK COVER CL.HSG(20 DEG INCLINATION)	1		
06	272425600106	ASSY,CLUTCH RELEASE FORK.	1		
07	272425600163	ASSY,CLUTCH RELEASE BRG-SELF CENTERING	1		
08	265425606701	BALL PIN(CL.RELEASE FORK PIVOT)	1		
-		REPAIR KIT MAJOR FOR CLUTCH PLATE	1	- PART NO. WILL BE CONFIRMED LATER	
-		REPAIR KIT MINOR FOR CLUTCH PLATE	1	- PART NO. WILL BE CONFIRMED LATER	
-		REPAIR KIT FOR CLUTCH DISC	1	- PART NO. WILL BE CONFIRMED LATER	

CHASSIS TYPE: 374508; 374558; 374506



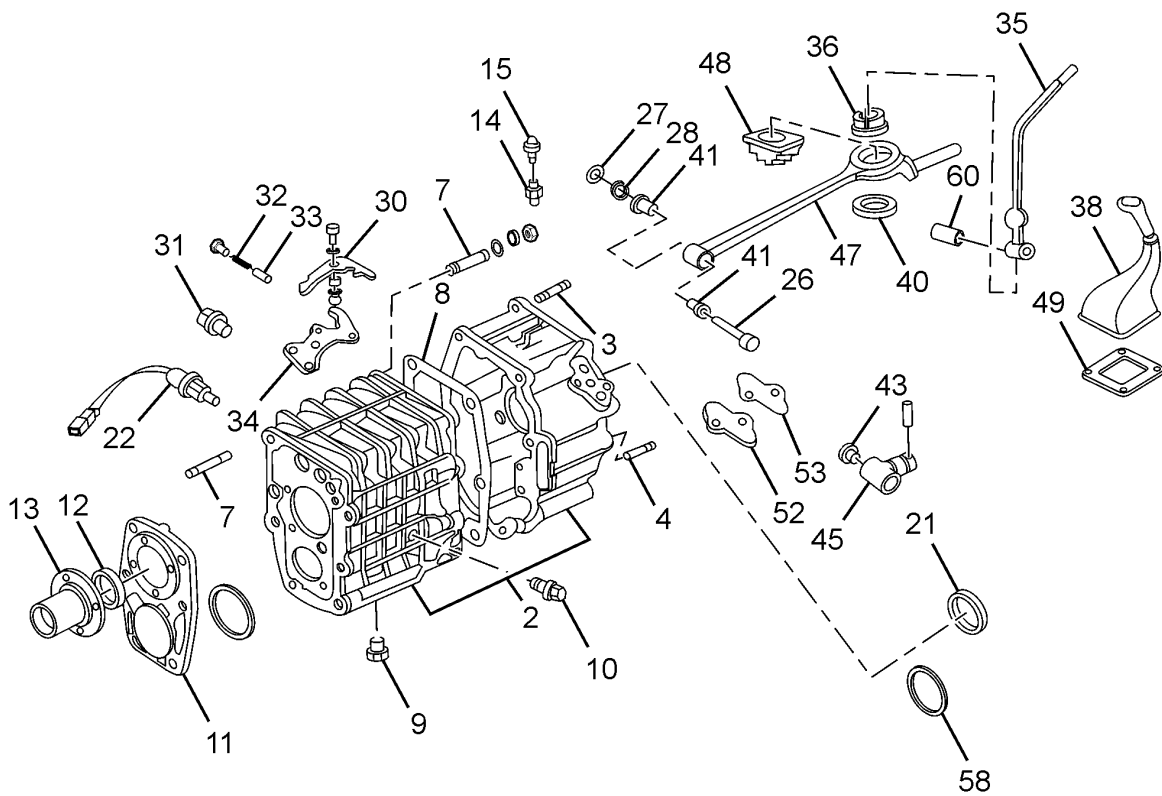
26.26.01A		GEAR BOX		GROUP 26	
CHASSIS TYPE: 374508; 374558; 374506					
FIG. NO.	PART NUMBER	DESCRIPTION	QTY	REMARKS	
1	268426020111	ASSY G76/4.1 TELCOLINE,2.2L DICOR, 4X2	1		
2	268426100133	ASSY.GEAR BOX HOUSING-4X2	1		
3	251926108804	STUD	8		
4	251926108808	STUD	6		
6	251926108806	STUD	11		
7	251926108802	STUD	2		
8	268426105301	GASKET	1		
9	266335107207	MAGNETIC DRAIN PLUG	1		
10	0009970006J	PLUG OIL FILLING	1		
11	268426250104	ASSY FRONT COVER(HPDC)	1		
12	251926257801	DOUBLE LIP OIL SEAL (DRIVE SHAFT)	1		
13	268426250123	ASSY BEARING TUBE (2.2 DICR ENG)	1		
14	257428159902	ADAPTOR	1		
15	257433150102	ASSY BREATHER	1		
16	268426203835	GEAR CASE COVER REAR - 4X2	1		
-	250626207804	ROTARY SHAFT SEAL - 4X2	1		
-	3212610031	ADAPTOR - 4X2	1		
18	251926200105	SPEEDOMETER DRIVE GEAR - 4X2	1		
19	251926207906	SHAFT (SPEEDOMETER DRIVE) - 4X2	1		
21	251926207808	OIL SEAL (MAIN SHAFT)	1		
22	269854500140	REVERSE LIGHT SWITCH	1		
24	268426713801	BRACKET (EXTENSION ARM) - 4X2	1		
26	268426716702	PIN EXTENSION ARM BRACKET	1		
27	269626806301	WASHER	4		
-	268426516706	CYLINDRICAL PIN	1		
-	251926514301	SPRING CLIP	1		
28	268426708207	RETAINER PLATE	2		
30	268426518201	PRESSURE PLATE, OD GEAR	1		
31	268426517201	THREADED PLUG, OD PR.PLATE	1		
32	268426518715	SPRING (DETENT PLATE OD GEAR)	1		
33	268426513405	ROLLER (DETENT PLATE)	1		
34	268426518202	PRESSURE PLATE (REVERSE GEAR)	1		
35	268426800107	SUB ASSY GEAR SHIFT LEVER -4X2	1		
36	268426803401	BUSH (BALL - SEAT GERA SHIFT LEVER)	1		
37	268426710165	ASSY SHIFT LINK (TELCOLINE 2.2L DICR)4X2	1		
38	268426800253	ASSY GAITER WIDTH KNOB	1		
40	268426807704	RUBBER BELLOW	1		

CHASSIS TYPE: 374508; 374558; 374506



26.26.01A		GEAR BOX		GROUP 26	
CHASSIS TYPE: 374508; 374558; 374506					
FIG. NO.	PART NUMBER	DESCRIPTION	QTY	REMARKS	
41	268426717704	RUBBER BUSH (EXTENSION ARM)	2		
43	268426716301	COLLAR BUSH (SHIFT LINK)	2		
45	268426513706	SHIFTING YOKE (FLAT END VERSION)	1		
46	251926710133	ASSY EXT BOX SUPPORT	1		
47	268426713822	EXTENSION ARM (TELCO LINE 2.2L DICR)	1		
48	268426807708	RUBBER SEALING (EXT.ARM TO TUNNEL)	1		
49	268426808205	CLAMPING PLATE (FOR SEALING ON TUNNEL)	1		
52	268426517101	DETENT COVER (SHIFTER SHAFT DETENT)	1		
53	268426515301	GASKET, DETENT COVER	1		
-	268426356501	HEXAGON BOLT (REVERSE IDLER GEAR)	1		
58	3122631452	SHIM 0.125	AR	FOR SELECTION	
58	3122631552	SHIM 0.240	AR	FOR SELECTION	
58	3122631652	SHIM 0.500	AR	FOR SELECTION	
58	3122632152	SHIM 0.050	AR	FOR SELECTION	
60	268426513410	BUSH (SHIFTING YOKE)	1		
60	268426513409	BUSH (SHIFTING YOKE)	2		
-	885426010207	GASKET KIT G76 GEAR BOX, CONSISTING OF:-	1		
8		GASKET (GEAR CASE COVER REAR)	1		
-		GASKET (GEAR CASE COVER FRONT)	1		
12		OIL SEAL (DRIVE SHAFT)	1		
14		OIL SEAL (SELECTOR & SHIFTER SHAFT)	1		
21		OIL SEAL (MAIN SHAFT)	1		
53		GASKET, DETENT COVER	1		

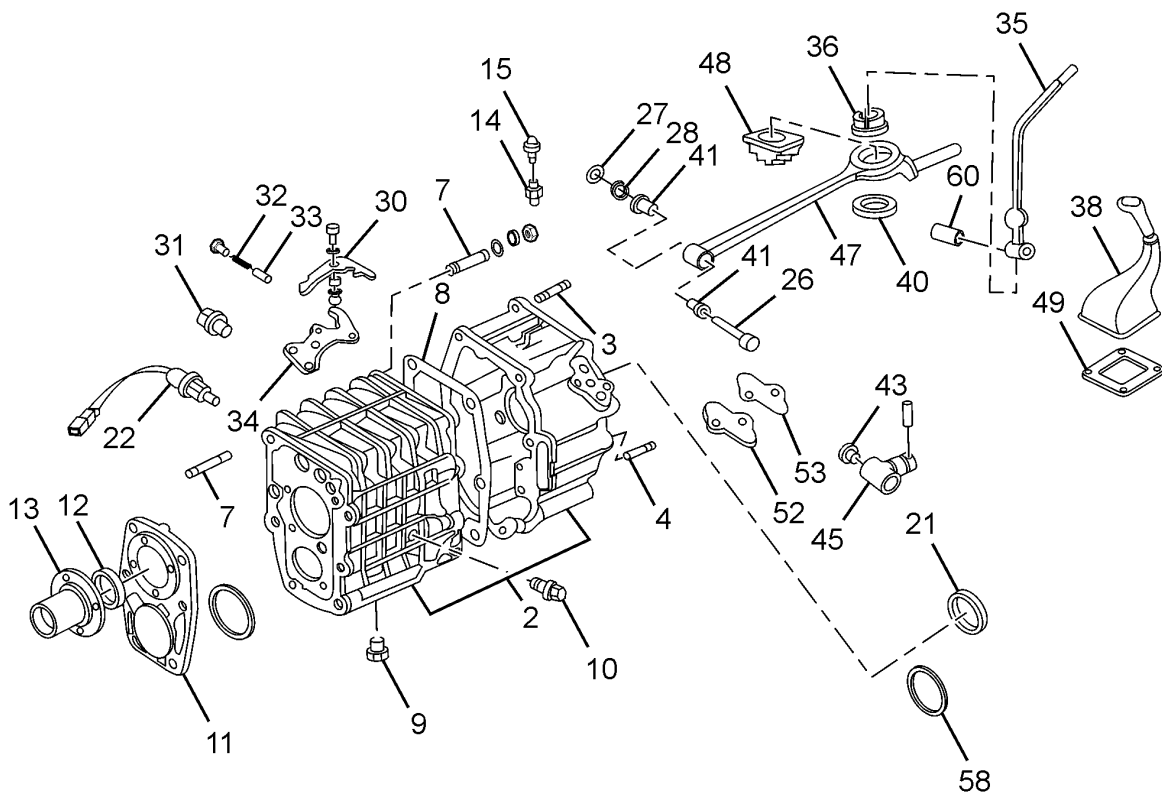
CHASSIS TYPE: 374536; 374557



1

26.26.01B		GEAR BOX		GROUP 26	
CHASSIS TYPE: 374536; 374557					
FIG. NO.	PART NUMBER	DESCRIPTION	QTY	REMARKS	
1	268426020113	ASSY G76/4.1 TELCOLINE,2.2L DICOR, 4X4	1		
2	268426100134	ASSY.GEAR BOX HOUSING(FRONT+REAR) 4X4	1		
3	251926108804	STUD	8		
4	251926108808	STUD	6		
7	251926108802	STUD	2		
8	268426105301	GASKET	1		
9	266335107207	MAGNETIC DRAIN PLUG	1		
10	0009970006J	PLUG OIL FILLING	1		
11	268426250104	ASSY FRONT COVER(HPDC)	1		
-	268426255301	GASKET[GEAR CASE COVER FRONT]	1		
12	251926257801	DOUBLE LIP OIL SEAL (DRIVE SHAFT)	1		
13	268426250123	ASSY BEARING TUBE (2.2 DICR ENG)	1		
14	257428159902	ADAPTOR	1		
15	257433150102	ASSY BREATHER	1		
21	251926207808	OIL SEAL (MAIN SHAFT)	1		
22	269854500140	REVERSE LIGHT SWITCH	1		
26	268426716702	PIN EXTENSION ARM BRACKET	1		
27	269626806301	WASHER	4		
-	268426516706	CYLINDRICAL PIN	1		
-	251926514301	SPRING CLIP	1		
28	268426708207	RETAINER PLATE	2		
30	268426518201	PRESSURE PLATE, OD GEAR	1		
31	268426517201	THREADED PLUG, OD PR.PLATE	1		
32	268426518715	SPRING (DETENT PLATE OD GEAR)	1		
33	268426513405	ROLLER (DETENT PLATE)	1		
34	268426518202	PRESSURE PLATE (REVERSE GEAR)	1		
35	268426800123	SUB ASSY GEAR SHIFT LEVER -4X4	1		
36	268426803401	BUSH (BALL - SEAT GERA SHIFT LEVER)	1		
38	268426800253	ASSY GAITER WIDTH KNOB	1		
40	268426807704	RUBBER BELLOW	1		
41	268426717704	RUBBER BUSH (EXTENSION ARM)	2		
43	268426716301	COLLAR BUSH (SHIFT LINK)	2		
45	268426513706	SHIFTING YOKE (FLAT END VERSION)	1		
47	268426713822	EXTENSION ARM (TELCOLINE 2.2L DICR)	1		
48	268426807708	RUBBER SEALING (EXT.ARM TO TUNNEL)	1		

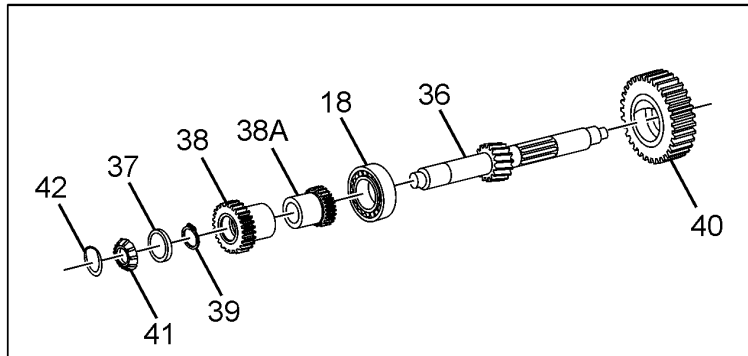
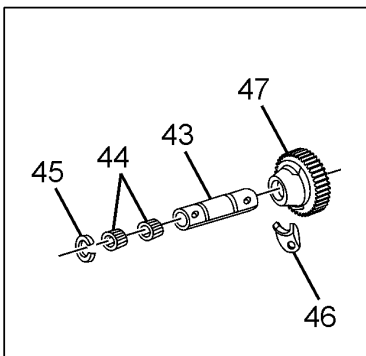
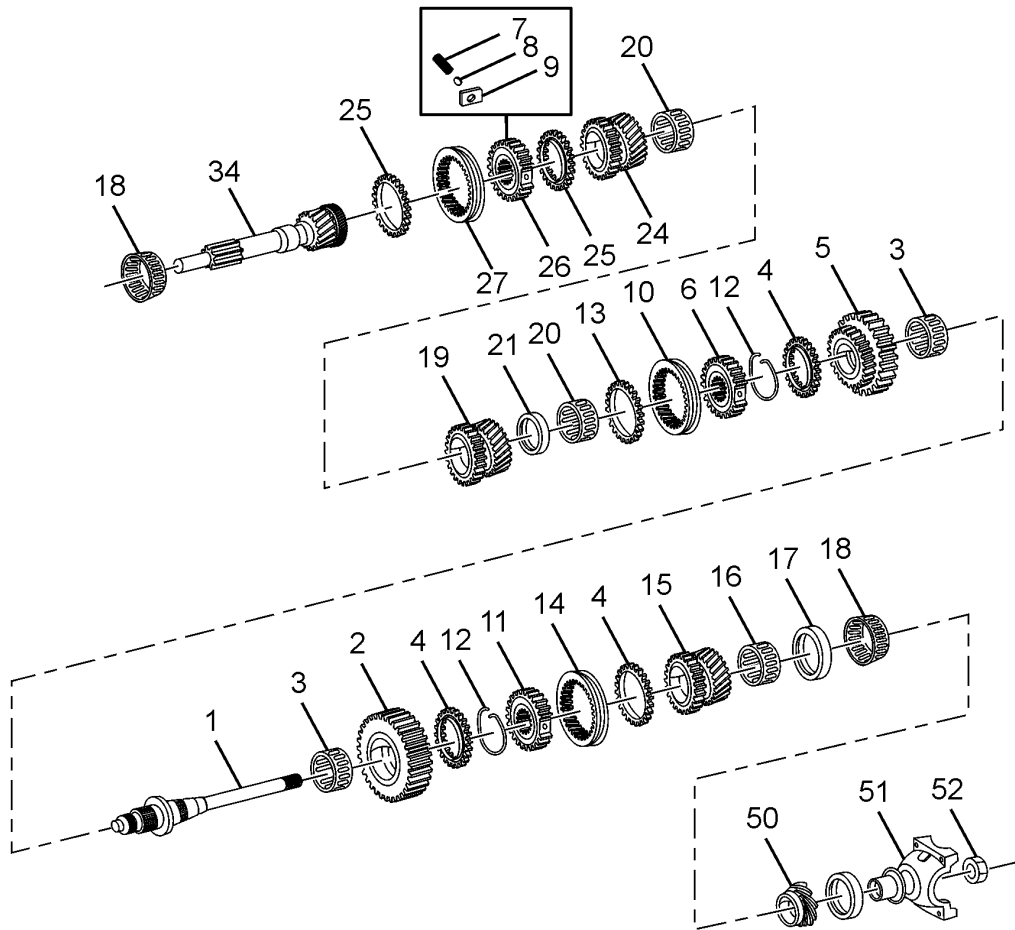
CHASSIS TYPE: 374536; 374557



1

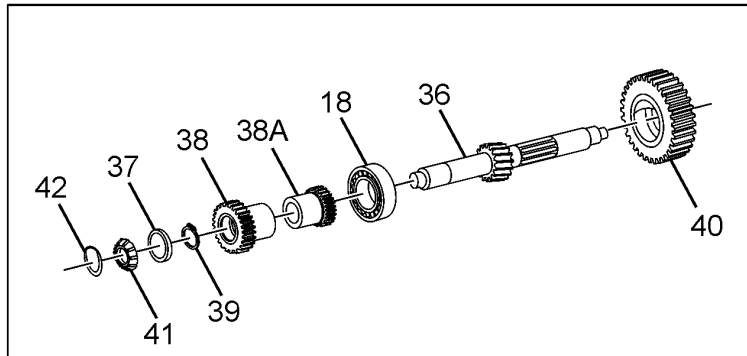
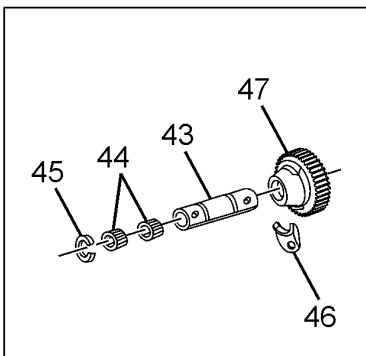
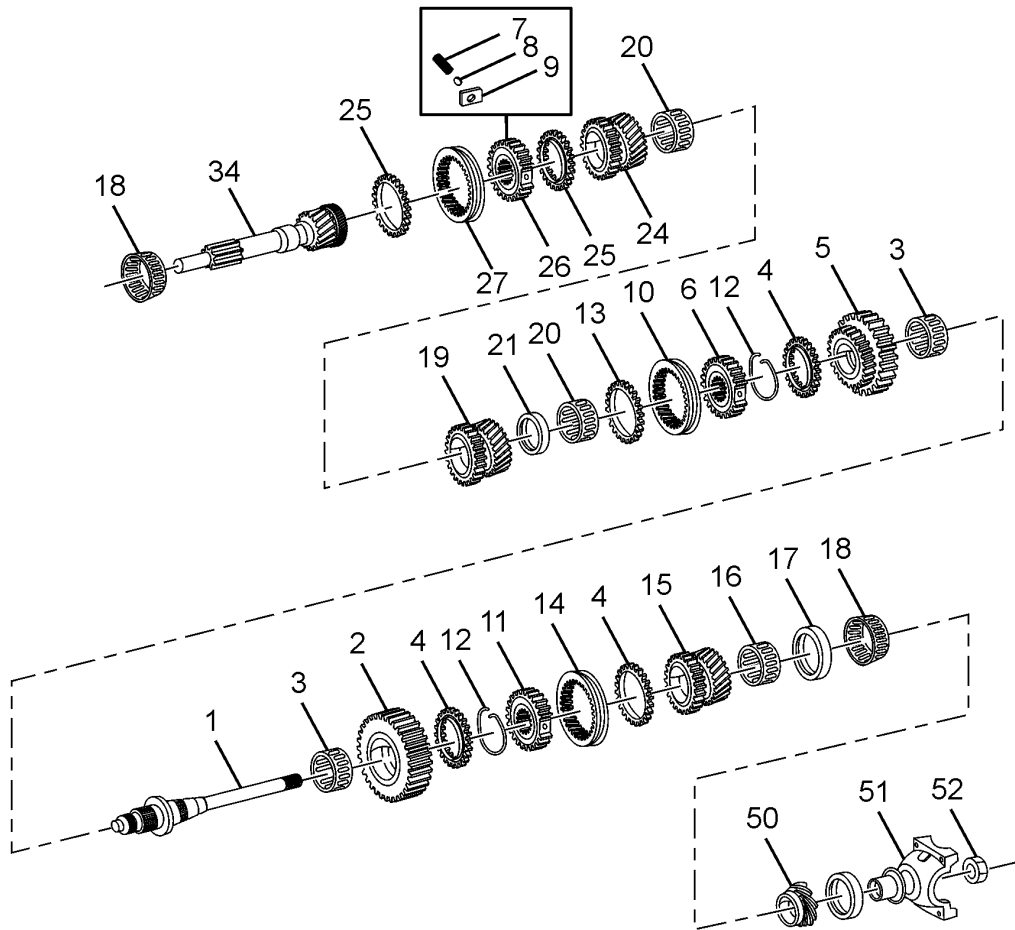
26.26.01B		GEAR BOX		GROUP 26	
CHASSIS TYPE: 374536; 374557					
FIG. NO.	PART NUMBER	DESCRIPTION	QTY	REMARKS	
49	268426808205	CLAMPING PLATE (FOR SEALING ON TUNNEL)	1		
52	268426517101	DETENT COVER (SHIFTER SHAFT DETENT)	1		
53	268426515301	GASKET, DETENT COVER	1		
-	268426356501	HEXAGON BOLT (REVERSE IDLER GEAR)	1		
58	3122631452	SHIM 0.125	AR	FOR SELECTION	
58	3122631552	SHIM 0.240	AR	FOR SELECTION	
58	3122631652	SHIM 0.500	AR	FOR SELECTION	
58	3122632152	SHIM 0.050	AR	FOR SELECTION	
60	268426513410	BUSH (SHIFTING YOKE)	1		
60	268426513409	BUSH (SHIFTING YOKE)	2		
-	885426010207	GASKET KIT G76 GEAR BOX, CONSISTING OF:	1		
8		GASKET (GEAR CASE COVER REAR)	1		
-		GASKET (GEAR CASE COVER FRONT)	1		
12		OIL SEAL (DRIVE SHAFT)	1		
14		OIL SEAL (SELECTOR & SHIFTER SHAFT)	1		
21		OIL SEAL (MAIN SHAFT)	1		
53		GASKET, DETENT COVER	1		

CHASSIS TYPE: 374508; 374558; 374506



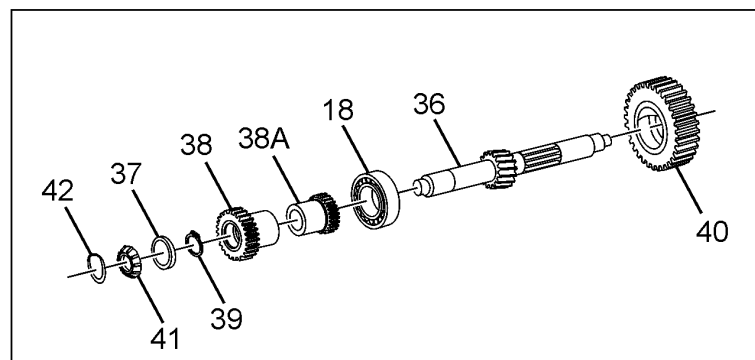
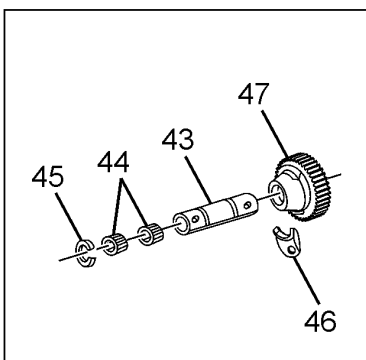
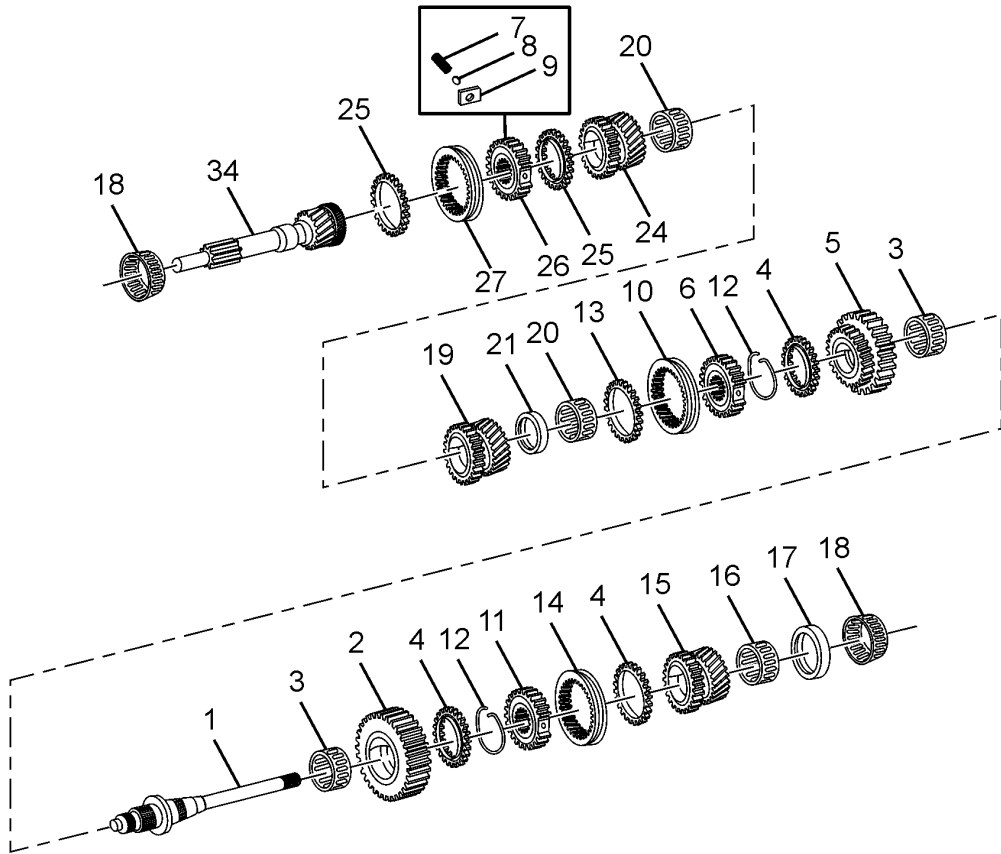
26.26.02A		GEARS AND SHAFTS		GROUP 26	
CHASSIS TYPE: 374508; 374558; 374506					
FIG. NO.	PART NUMBER	DESCRIPTION	QTY	REMARKS	
1	268426207915	MAIN SHAFT(SAFARI,4SP CR DI,4X2)	1		
2	268426200242	ASSY REV.SPEED GEAR(REV 3.75 RATIO)	1		
3	251526203104	NEEDLE CAGE 1ST/2ND SPEED	1		
4	268426203821	SYNCHROCONE (1ST/REV.GEAR)	1		
4	268426200160	ASSY. DOUBLE CONE SYNCHRO (1/REV)	1		
5	268426200263	ASSY, 1ST SPEED GEAR(4.1)(SAFARI 2.2L)	1		
6	268426204628	ENGAGING GEAR (1ST/2ND SPEED)	1		
7	268426208701	COMPRESSING SPRING	3		
8	15950100505	BALL 5 DIA GRADE-20	3		
9	268426209901	CARRIER (1/2 & R/OD & 3/4)	3		
10	268426204629	SHIFTER SLEEVE (1ST/2ND SPEED)	1		
11	268426204611	ENGAGING GEAR (REV/OD SPEED)	1		
12	268426204327	SNAP RING (REV/OD) 1.7 THK.NVH	1	FOR SELECTION	
12	268426204328	SNAP RING (REV/OD) 1.8 THK.NVH	1	FOR SELECTION	
12	268426204329	SNAP RING (REV/OD) 1.85 THK.NVH	1	FOR SELECTION	
12	268426204330	SNAP RING (REV/OD) 1.9 THK.NVH	1	FOR SELECTION	
12	268426204331	SNAP RING (REV/OD) 1.95 THK.NVH	1	FOR SELECTION	
12	268426204332	SNAP RING (REV/OD) 2.0 THK.NVH	1	FOR SELECTION	
12	268426204333	SNAP RING (REV/OD) 2.05 THK.NVH	1	FOR SELECTION	
12	268426204334	SNAP RING (REV/OD) 2.1 THK.NVH	1	FOR SELECTION	
12	268426204335	SNAP RING (REV/OD) 2.15 THK.NVH	1	FOR SELECTION	
12	268426204336	SNAP RING (REV/OD) 2.20 THK.NVH	1	FOR SELECTION	
13	268426203804	SYNCHROCONE (2ND/OD GEAR)	1		
14	268426204624	SHIFTER SLEEVE (REV/OD SPEED)	1		
15	268426200223	ASSY O.D. GEAR (0.77 RATIO)	1		
16	268426203110	NEEDLE CAGE (OD GEAR MAIN SHAFT)	1		
17	268426208604	SPACER (BETWEEN OD GEAR & TRB)	1		
18	265133403129	TAPER ROLLER BEARING	1		
-	268426208702	BELLEVILLE SPRING - OD GEAR	1		
19	268426200164	SUB-ASSY.2ND/3RD SPEED	1		
20	268426203103	NEEDLE CAGE (2ND/3RD SPEED)	1		
21	268426208601	SPACER (BETWEEN 2ND/3RD SPEED)	1		
-	15950200305	BALL 5 DIA. GRADE-20	1		
-	268426203407	INNER SPRING	1		
24	268426200264	ASSY 3RD GEAR (M/SHAFT,1.37),2.05 MODULE	1		

CHASSIS TYPE: 374508; 374558; 374506



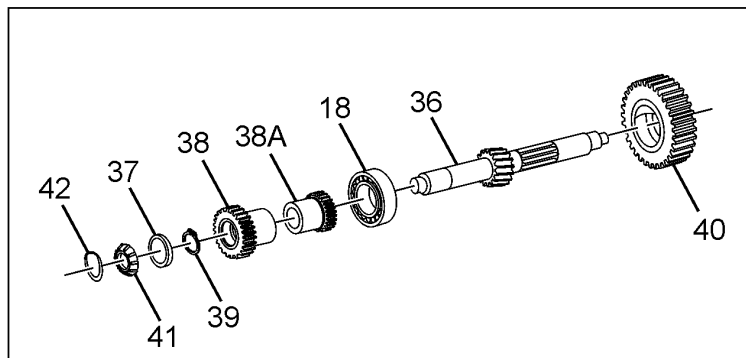
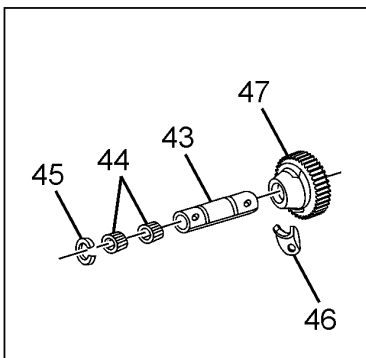
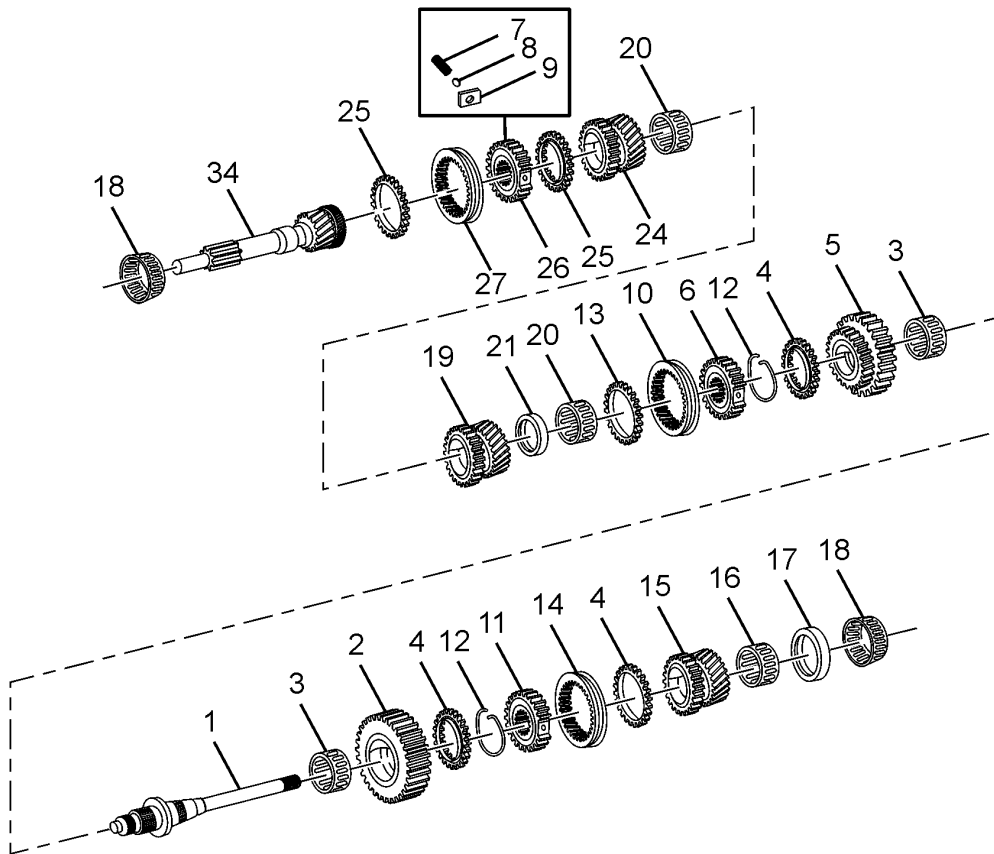
26.26.02A		GEARS AND SHAFTS		GROUP 26	
CHASSIS TYPE: 374508; 374558; 374506					
FIG. NO.	PART NUMBER	DESCRIPTION	QTY	REMARKS	
25	268426203802	SYNCHROCONE (3RD/D/SHAFT)	1		
26	268426204640	ENGAGING GEAR (3/4TH) LARGER THRUST BRG.	1		
27	268426204623	SHIFTER SLEEVE (3RD/4TH SPEED)	1		
-	268426203119	AXIAL THRUST BRG.W/THRUST WASHER	1		
34	268426250124	ASSY DRIVE SHAFT (2.05 MODULE)2.2L DICR	1		
36	268426307910	COUNTER SHAFT (DEEPER REV.3.75 RATIO)	1		
37	251926308601	SPACER (COUNTER SHAFT)	1		
38	268426305423	CONSTANT MESH GEAR (C/SHAFT) 2.05 MODULE	1		
38A	268426305424	3RD GEAR (COUNTER SHAFT,1.37)2.05 MODULE	1		
39	14550603803	EXT.CIRCLIP 38X1.75 N	1		
40	268426305417	OVERDRIVE GEAR (COUNTER SHAFT)0.77 RATIO	1		
41	251926303104	TAPER ROLLER BEARING	1		
42	251926308302	SHIM (COUNTER SHAFT)	AR	FOR SELECTION	
42	251926308303	SHIM (COUNTER SHAFT)	AR	FOR SELECTION	
42	251926308304	SHIM (COUNTER SHAFT)	AR	FOR SELECTION	
42	251926308305	SHIM (COUNTER SHAFT)	AR	FOR SELECTION	
42	251926308306	SHIM (COUNTER SHAFT)	AR	FOR SELECTION	
43	268426357901	REVERSE IDLER SHAFT	1		
44	0009810512	ROLLER RING	2		
45	268426354301	SNAP RING REVERSE IDLER GEAR	2		
46	268426358202	RETAINER PLATE	1		
47	268426355403	REVERSE IDLER GEAR(REV,3.75 RATIO)	1		
50	268426200113	ASSY GEAR(SPEEDOMRTER DRIVE)	1		
51	268426200120	ASSY,END YOKE	1		
52	266335356501	NUT(PINION)	1		

CHASSIS TYPE: 374536; 374557



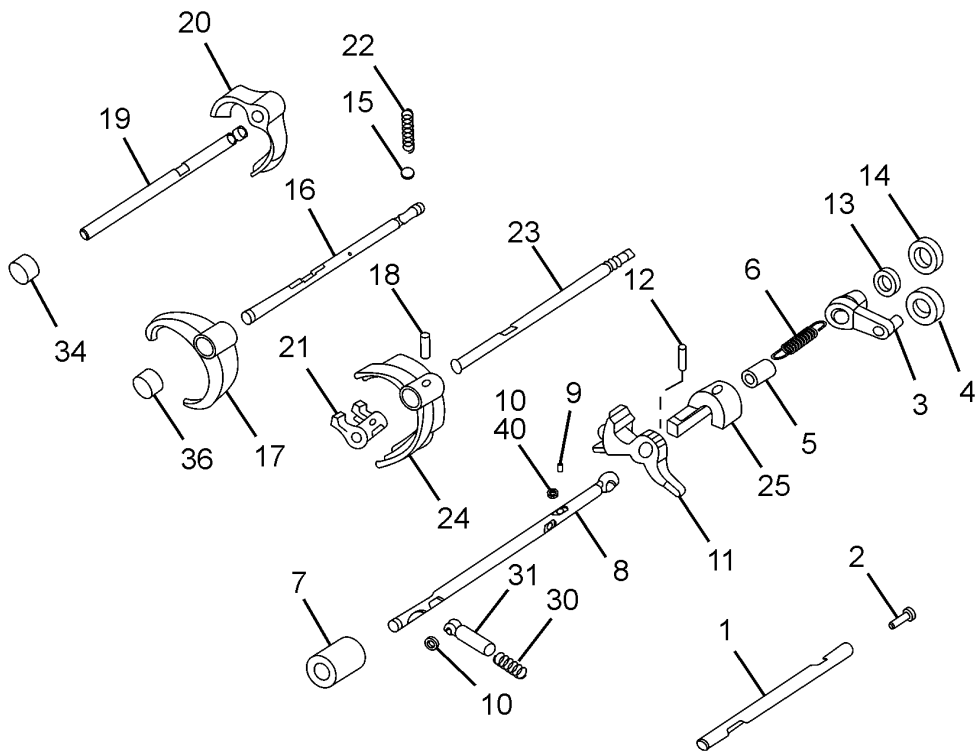
26.26.02B		GEARS AND SHAFTS		GROUP 26	
CHASSIS TYPE: 374536; 374557					
FIG. NO.	PART NUMBER	DESCRIPTION	QTY	REMARKS	
1	268426207917	MAIN SHAFT,4X4(LARGER THRUSTBRG)2.2 DICR	1		
2	268426200242	ASSY REV.SPEED GEAR(REV 3.75 RATIO)	1		
3	251526203104	NEEDLE CAGE 1ST/2ND SPEED	1		
4	268426203821	SYNCHROCONE (1ST/REV.GEAR)	1		
4	268426200160	ASSY. DOUBLE CONE SYNCHRO (1/REV)	1		
5	268426200263	ASSY, 1ST SPEED GEAR(4.1)(SAFARI 2.2L)	1		
6	268426204628	ENGAGING GEAR (1ST/2ND SPEED)	1		
7	268426208701	COMPRESSING SPRING	3		
8	15950100505	BALL 5 DIA GRADE-20	3		
9	268426209901	CARRIER (1/2 & R/OD & 3/4)	3		
10	268426204629	SHIFTER SLEEVE (1ST/2ND SPEED)	1		
11	268426204611	ENGAGING GEAR (REV/OD SPEED)	1		
12	268426204327	SNAP RING (REV/OD) 1.7 THK.NVH	1	FOR SELECTION	
12	268426204328	SNAP RING (REV/OD) 1.8 THK.NVH	1	FOR SELECTION	
12	268426204329	SNAP RING (REV/OD) 1.85 THK.NVH	1	FOR SELECTION	
12	268426204330	SNAP RING (REV/OD) 1.9 THK.NVH	1	FOR SELECTION	
12	268426204331	SNAP RING (REV/OD) 1.95 THK.NVH	1	FOR SELECTION	
12	268426204332	SNAP RING (REV/OD) 2.0 THK.NVH	1	FOR SELECTION	
12	268426204333	SNAP RING (REV/OD) 2.05 THK.NVH	1	FOR SELECTION	
12	268426204334	SNAP RING (REV/OD) 2.1 THK.NVH	1	FOR SELECTION	
12	268426204335	SNAP RING (REV/OD) 2.15 THK.NVH	1	FOR SELECTION	
12	268426204336	SNAP RING (REV/OD) 2.20 THK.NVH	1	FOR SELECTION	
13	268426203804	SYNCHROCONE (2ND/OD GEAR)	1		
14	268426204624	SHIFTER SLEEVE (REV/OD SPEED)	1		
15	268426200223	ASSY O.D. GEAR (0.77 RATIO)	1		
16	268426203110	NEEDLE CAGE (OD GEAR MAIN SHAFT)	1		
17	268426208604	SPACER (BETWEEN OD GEAR & TRB)	1		
18	265133403129	TAPER ROLLER BEARING	1		
-	268426208702	BELLEVILLE SPRING - OD GEAR	1		
19	268426200164	SUB-ASSY.2ND/3RD SPEED	1		
20	268426203103	NEEDLE CAGE (2ND/3RD SPEED)	1		
21	268426208601	SPACER (BETWEEN 2ND/3RD SPEED)	1		
-	15950200305	BALL 5 DIA. GRADE-20	1		
-	268426203407	INNER SPRING	1		

CHASSIS TYPE: 374536; 374557



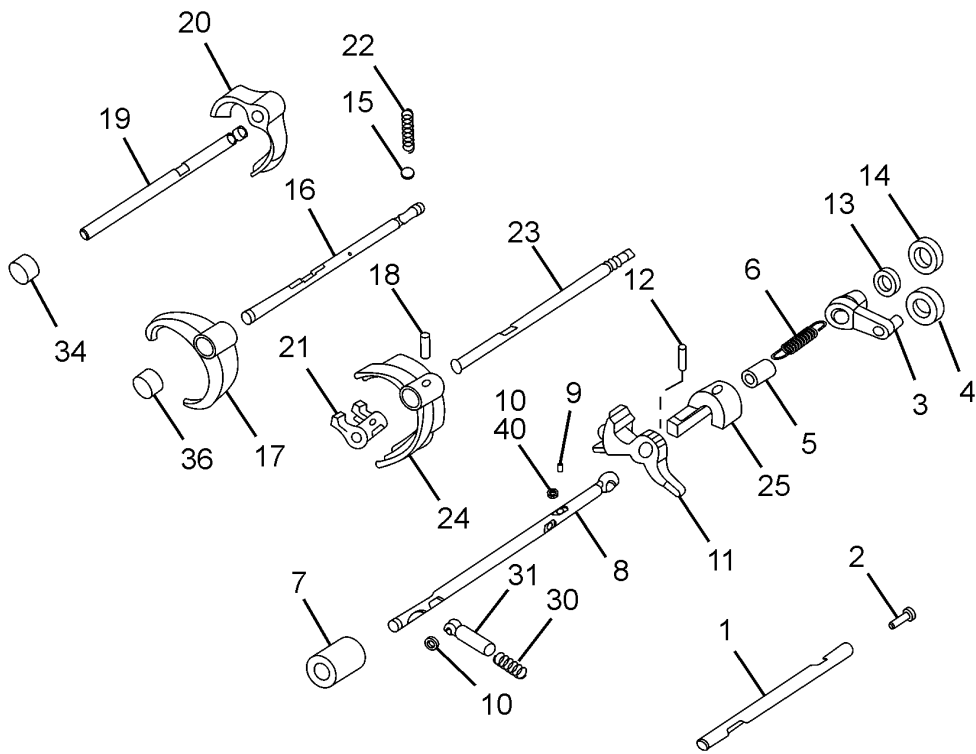
26.26.02B		GEARS AND SHAFTS		GROUP 26	
CHASSIS TYPE: 374536; 374557					
FIG. NO.	PART NUMBER	DESCRIPTION	QTY	REMARKS	
24	268426200264	ASSY 3RD GEAR (M/SHAFT,1.37),2.05 MODULE	1		
25	268426203802	SYNCHROCONE (3RD/D/SHAFT)	1		
26	268426204640	ENGAGING GEAR (3/4TH) LARGER THRUST BRG.	1		
27	268426204623	SHIFTER SLEEVE (3RD/4TH SPEED)	1		
-	268426203119	AXIAL THRUST BRG.W/THRUST WASHER	1		
34	268426250124	ASSY DRIVE SHAFT (2.05 MODULE)2.2L DICR	1		
36	268426307910	COUNTER SHAFT (DEEPER REV.3.75 RATIO)	1		
37	251926308601	SPACER (COUNTER SHAFT)	1		
38	268426305423	CONSTANT MESH GEAR (C/SHAFT) 2.05 MODULE	1		
38A	268426305424	3RD GEAR (COUNTER SHAFT,1.37)2.05 MODULE	1		
39	14550603803	EXT.CIRCLIP 38X1.75 N	1		
40	268426305417	OVERDRIVE GEAR (COUNTER SHAFT)0.77 RATIO	1		
41	251926303104	TAPER ROLLER BEARING	1		
42	251926308302	SHIM (COUNTER SHAFT)	AR	FOR SELECTION	
42	251926308303	SHIM (COUNTER SHAFT)	AR	FOR SELECTION	
42	251926308304	SHIM (COUNTER SHAFT)	AR	FOR SELECTION	
42	251926308305	SHIM (COUNTER SHAFT)	AR	FOR SELECTION	
42	251926308306	SHIM (COUNTER SHAFT)	AR	FOR SELECTION	
43	268426357901	REVERSE IDLER SHAFT	1		
44	0009810512	ROLLER RING	2		
45	268426354301	SNAP RING REVERSE IDLER GEAR	2		
46	268426358202	RETAINER PLATE	1		
47	268426355403	REVERSE IDLER GEAR(REV,3.75 RATIO)	1		

CHASSIS TYPE: 374508; 374558; 374506



26.26.03A		SHIFTING FORKS		GROUP 26	
CHASSIS TYPE: 374508; 374558; 374506					
FIG. NO.	PART NUMBER	DESCRIPTION	QTY	REMARKS	
1	268426707917	SHIFTER SHAFT(REV./OD)	1		
2	268426106502	HEXAGONAL FIT BOLT	1		
3	268426510101	ASSY.SELECTOR LEVER	1		
4	268426513401	ROLLER,SELECTOR LEVER	1		
5	268426518602	TUBULAR SPACER	1		
6	268426518714	TORSTION SPRING	1		
7	268426103101	LINEAR BEARING	1		
8	268426707920	SELECTOR SHIFTER SHAFT(4X2)(FLAT END)	1		
9	268426706701	PIN,SELECTOR&SHIFTER SHAFT	2		
10	268426513408	ROLLER(SELECTOR&SHIFTING SHAFT)	4		
11	268426515106	SELECTOR AND SHIFTER FINGER	2		
12	268426516704	SPIRAL PIN(6X4)	1		
13	268426708601	SPACER(OIL SEAL,SEL.&SHIFTER SHAFT)	1		
14	268426707807	DOUBLE LIP OIL SEAL	1		
15	15950100807	BALL 5DIUA.GRADE 20	1		
16	268426707916	SHIFTER SHAFT(3/4 SPEED)	1		
17	268426513802	SHIFTER FORK,3RD/4TH	1		
-	268426516704	SPIRAL PIN(6X28)	1		
18	268426516704	SPIRAL PIN(6X28)	1		
19	268426707901	SHIFTER SHAFT,1ST/2ND	1		
20	268426513801	SHIFTER FORK,1ST/2ND	1		
21	268426513702	SHIFTER DOG,1ST/2ND	1		
22	268426518702	DETENT SPRING(1/2&3/4 SHIFTER SHAFT,CENT	1		
23	268426707917	SHIFER SHAFT(REV/OD)	1		
24	268426513803	SHIFER FORK(REV/OD)	1		
25	268426519906	BEARING BLOCK(SWING LEVER)	1		
-	268426510114	ASSY.INHIBITER	1		
30	268426518717	DETENT SPRING SHIFTER SHAFT,CENTRAL	1		
31	268426513414	DETENT	1		
33	251926206701	PLUG(SPEEDO SHAFT)	1		
-	268426513408	ROLLER (SELECTOR & SHIFTING SHAFT)	1		
-	268426516501	THREADED PLUG(CENTREL DETENT)	1		
-	268426108201	SEALING CUP	1		
34	268426108204	CAP(SHIFETR SHAFT)	6		
36	254914108204	CORE PLUG(25 DIA)	1		

CHASSIS TYPE: 374508; 374558; 374506



26.26.03A

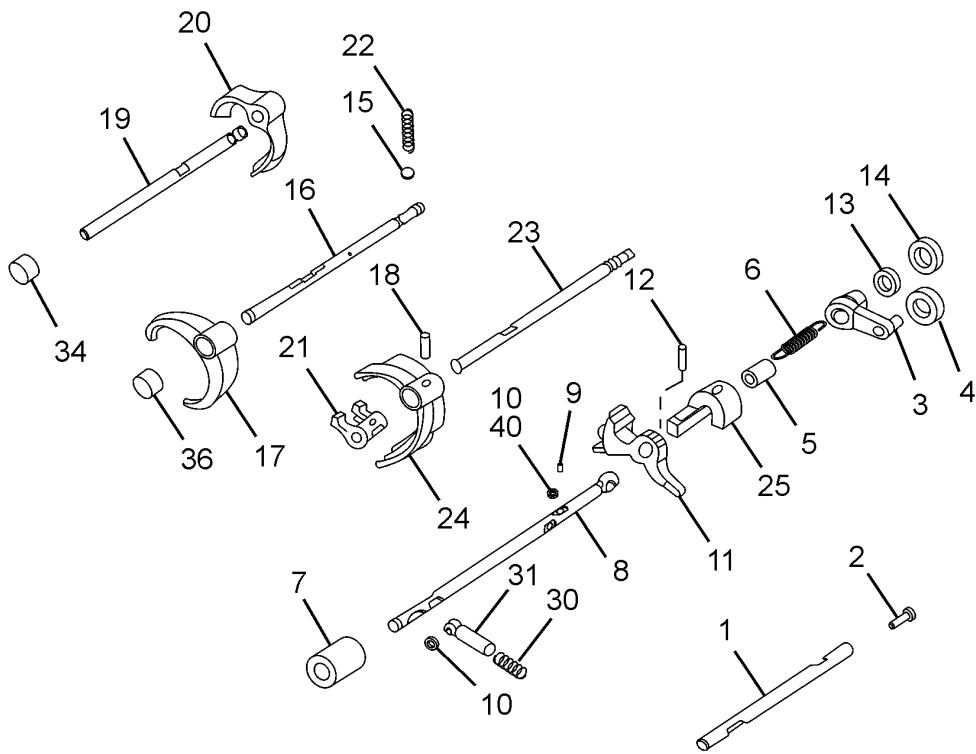
SHIFTING FORKS

GROUP 26

CHASSIS TYPE: 374508; 374558; 374506

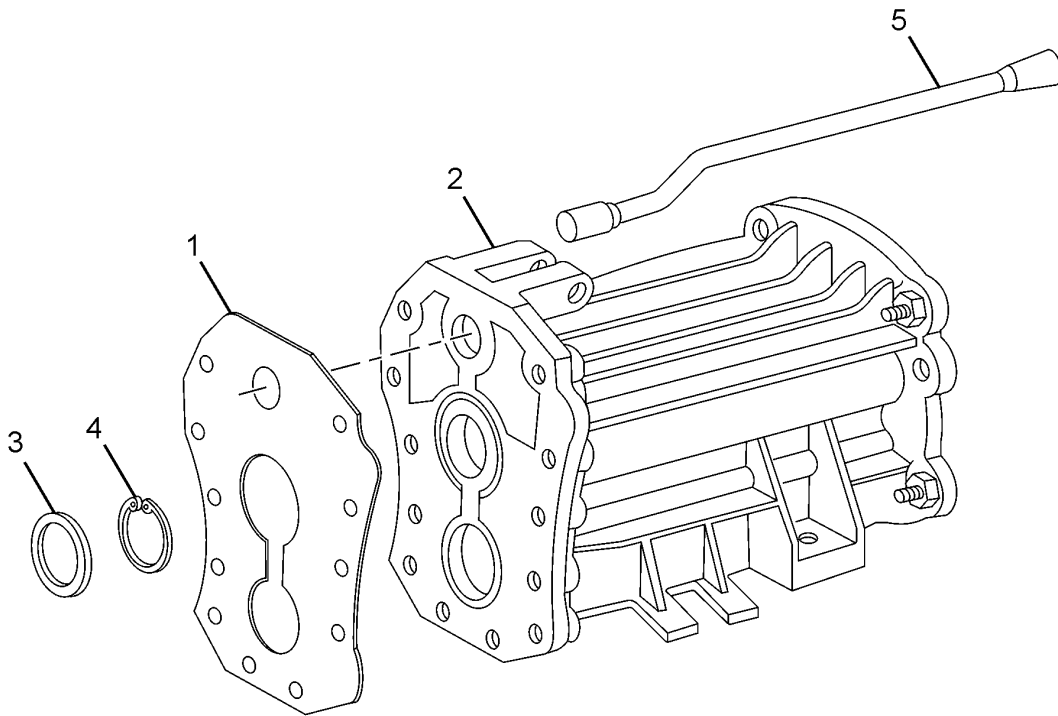
FIG. NO.	PART NUMBER	DESCRIPTION	QTY	REMARKS
40	268426513002	ROLLER(INTER LOCK DEVICE)	1	

CHASSIS TYPE: 374536; 374557



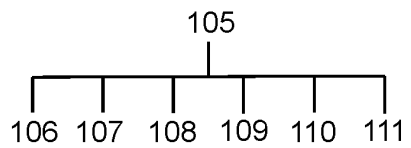
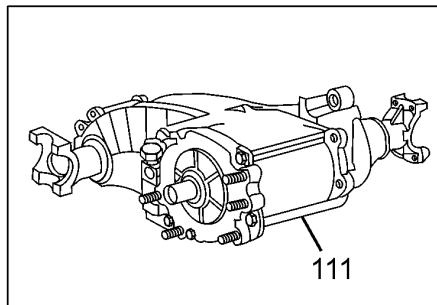
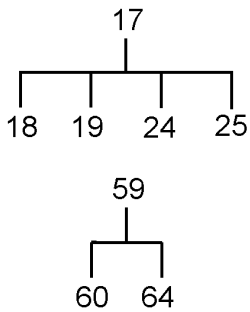
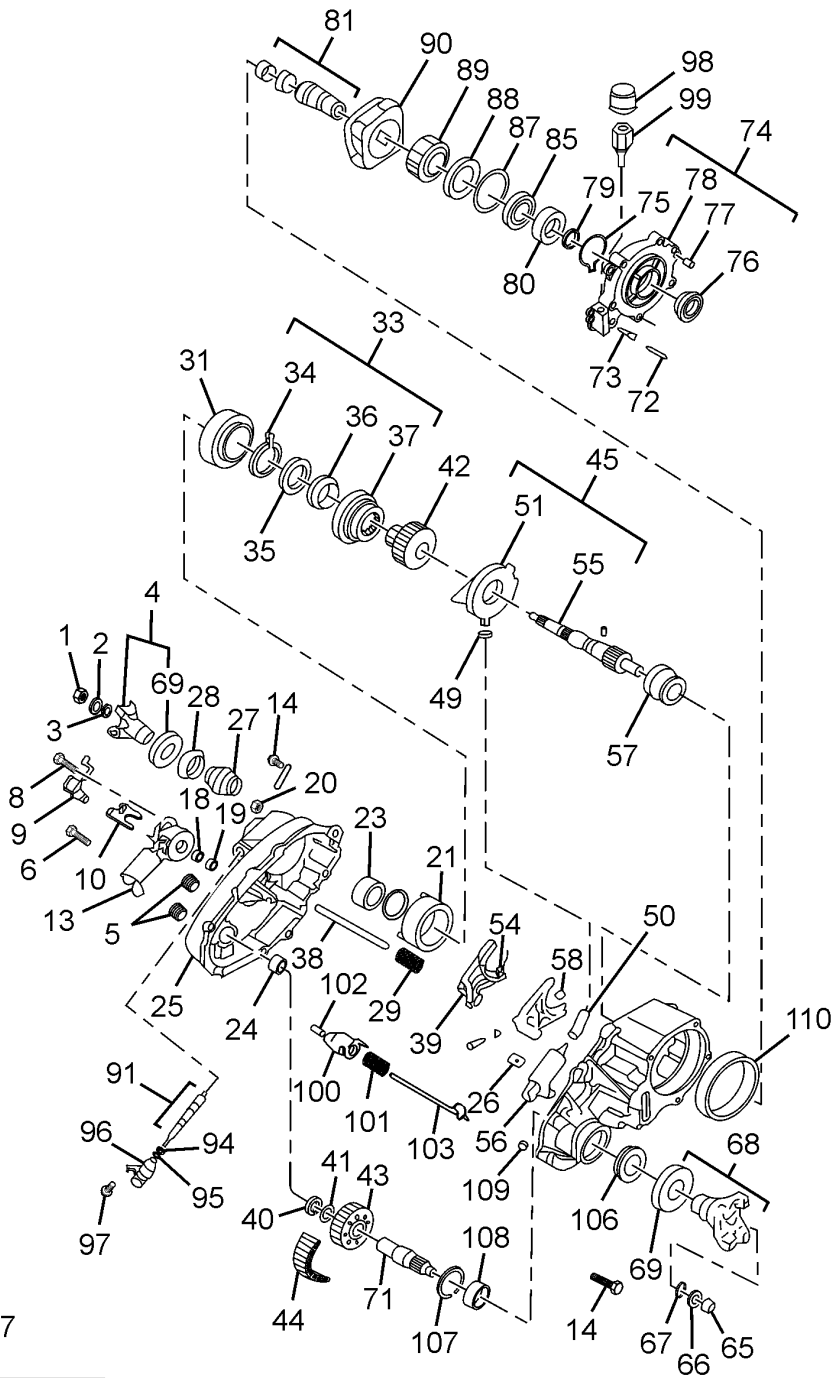
26.26.03B		SHIFTING FORKS		GROUP 26	
CHASSIS TYPE: 374536; 374557					
FIG. NO.	PART NUMBER	DESCRIPTION	QTY	REMARKS	
1	268426707917	SHIFTER SHAFT(REV./OD)	1		
2	268426106502	HEXAGONAL FIT BOLT	1		
3	268426510101	ASSY.SELECTOR LEVER	1		
4	268426513401	ROLLER,SELECTOR LEVER	1		
5	268426518602	TUBULAR SPACER	1		
6	268426518714	TORSTION SPRING	1		
7	268426103101	LINEAR BEARING	1		
8	268426707921	SELECTOR SHIFTER SHAFT(4X4)(FLAT END)	1		
9	268426706701	PIN,SELECTOR&SHIFTER SHAFT	2		
10	268426513408	ROLLER(SELECTOR&SHIFTING SHAFT)	4		
11	268426515106	SELECTOR AND SHIFTER FINGER	2		
12	268426516704	SPIRAL PIN(6X4)	1		
13	268426708601	SPACER(OIL SEAL,SEL.&SHIFTER SHAFT)	1		
14	268426707807	DOUBLE LIP OIL SEAL	1		
15	15950100807	BALL 5DIUA.GRADE 20	1		
16	268426707916	SHIFTER SHAFT(3/4 SPEED)	1		
17	268426513802	SHIFTER FORK,3RD/4TH	1		
-	268426516704	SPIRAL PIN(6X28)	1		
18	268426516704	SPIRAL PIN(6X28)	1		
19	268426707901	SHIFTER SHAFT,1ST/2ND	1		
20	268426513801	SHIFTER FORK,1ST/2ND	1		
21	268426513702	SHIFTER DOG,1ST/2ND	1		
22	268426518702	DETENT SPRING(1/2&3/4 SHIFTER SHAFT,CENT	1		
23	268426707917	SHIFER SHAFT(REV/OD)	1		
24	268426513803	SHIFER FORK(REV/OD)	1		
25	268426519906	BEARING BLOCK(SWING LEVER)	1		
-	268426510114	ASSY.INHIBITER	1		
30	268426518717	DETENT SPRING SHIFTER SHAFT,CENTRAL	1		
31	268426513414	DETENT	1		
-	268426513408	ROLLER (SELECTOR & SHIFTING SHAFT)	1		
-	268426516501	THREADED PLUG(CENTREL DETENT)	1		
-	268426108201	SEALING CUP	1		
34	268426108204	CAP(SHIFETR SHAFT)	6		
36	254914108204	CORE PLUG(25 DIA)	1		
40	268426513002	ROLLER(INTER LOCK DEVICE)	1		

CHASSIS TYPE: 374536; 374557



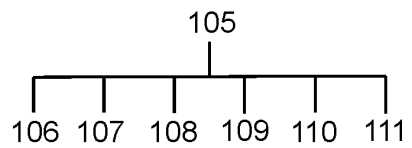
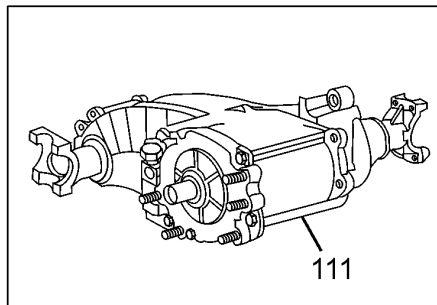
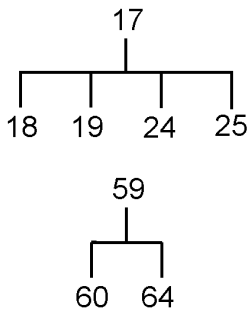
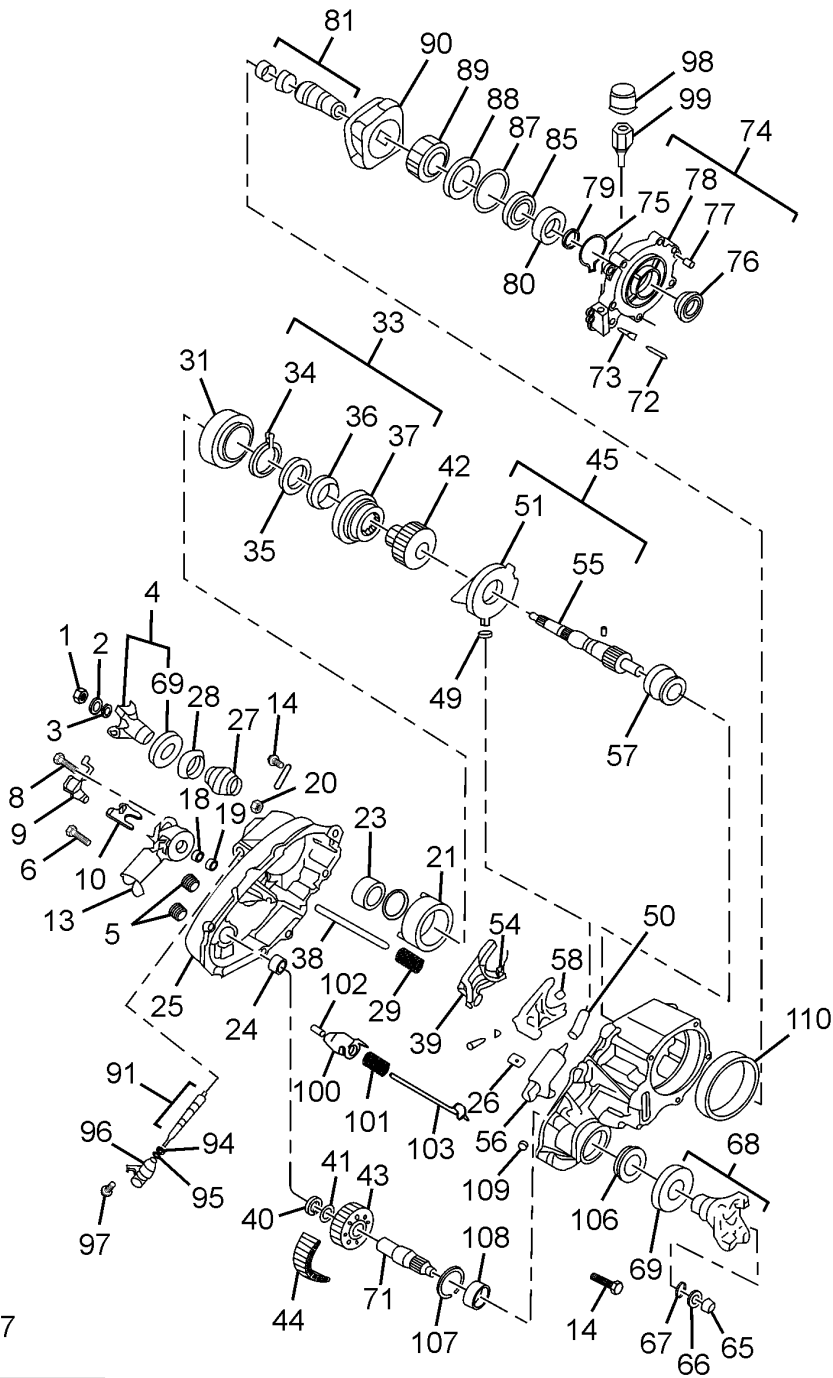
26.26.04		ADAPTOR HOUSING		GROUP 26	
CHASSIS TYPE: 374536; 374557					
FIG. NO.	PART NUMBER	DESCRIPTION	QTY	REMARKS	
01	268426205302	GASKET(BETWEEN REAR COVER & ADAPTER HSG)	1		
02	268426203816	ADAPTER HOUSING 4X4	1		
03	268426208605	SPACER(OIL SEAL)	1		
04	14550603005	EXT.CIRCLIP(30X1.5N)	1		
05	268426710166	ASSY SHIFT LINK(TELCOLINE 2.2L DICR)4X4	1		
-	268426710154	ASSY BRACKET WITH BUSH(EXTN.ARM SUPPORT)	1		

CHASSIS TYPE: 374536; 374557



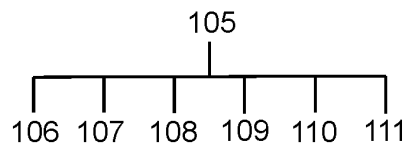
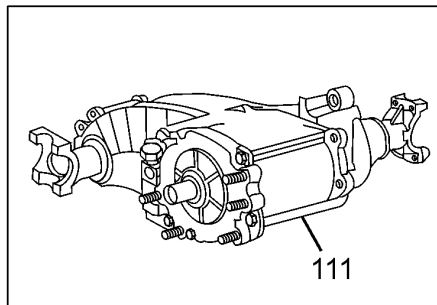
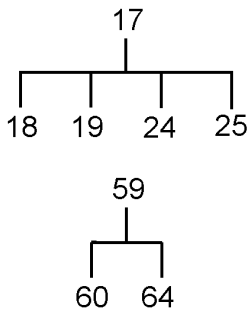
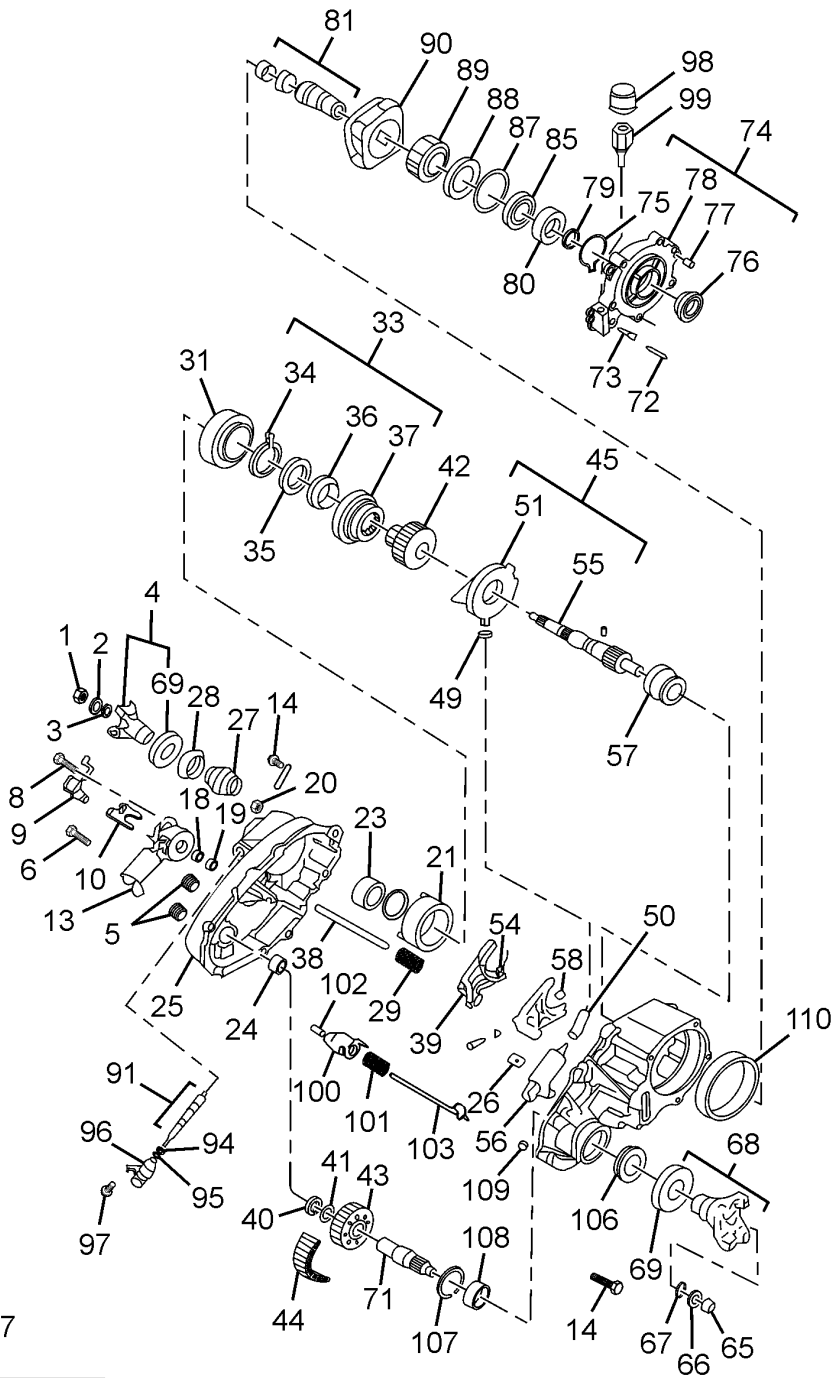
28.28.01		TRANSFER CASE		GROUP 28
CHASSIS TYPE: 374536; 374557				
FIG. NO.	PART NUMBER	DESCRIPTION	QTY	REMARKS
111	268728000227	DIVGI WARNER TRANSFER CASE W/O ECU	1	
-	270454209924	ECU(TRANSFER CASE) SERVICE PARTS FOR TRANSFER CASE (DIVGI WARNER)	1	
1	268728356501	NUT	1	
2	268728359201	WASHER	1	
3	268728357801	OIL SEAL	1	
4	268728350102	YOKE ASSY SINGLE CARDEN	1	
5	268728707201	PLUGE,PIPE	2	
6	268728703201	BOLT,HEX.HEAD	1	
8	268728703202	BOLT,HEX.HEAD	3	
9	268728703301	BRACKET,SENSOR AND HARNESS	1	
10	268728700101	SENSOR ASSY	1	
13	268728700102	MOTOR ASSY	1	
-	268728008204	PROTECTIVE COVER	1	
14	268728153201	BOLT,HEX.HEAD	9	
17	268728150101	ASSY COVER	1	
18	268728157801	SEAL,OIL	1	
19	268728153401	BEARING SLEEVE	1	
20	268728156501	NUT,HEX.	3	
21	268728150102	COIL ASSY,CLUTCH	1	
23	268728153101	BEARING ANNULAR	1	
24	268728153102	BEARING NEEDLE	1	
25	268728153801	COVER,TRANSFER CASE	1	
26	268728159901	MAGNET	1	
27	268728205401	GEAR SPEEDO 8T	1	
28	268728207801	SEAL,OIL	1	
29	268728408701	SPRING RETURN	1	
31	268728253701	HOUSING CLUTCH	1	
33	268728250101	LOCKUP ASSY,2W-4W	1	
34	268728254301	RING SNAP	1	
35	268728255501	HUB LOCKUP	1	
36	268728258701	SPRING,SLEEVE RETURN	1	
37	268728255101	COLLER,LOCKUP	1	
38	268728407901	SHAFT,RAIL	1	
39	268728404601	FORK,LOCKUP	1	
40	268728254302	RING SNAP	1	
41	268728258601	SPACER	1	
42	268728258901	SPROCKET,DRIVE	1	
43	268728258902	SPROCKET,DRIVEN	1	

CHASSIS TYPE: 374536; 374557



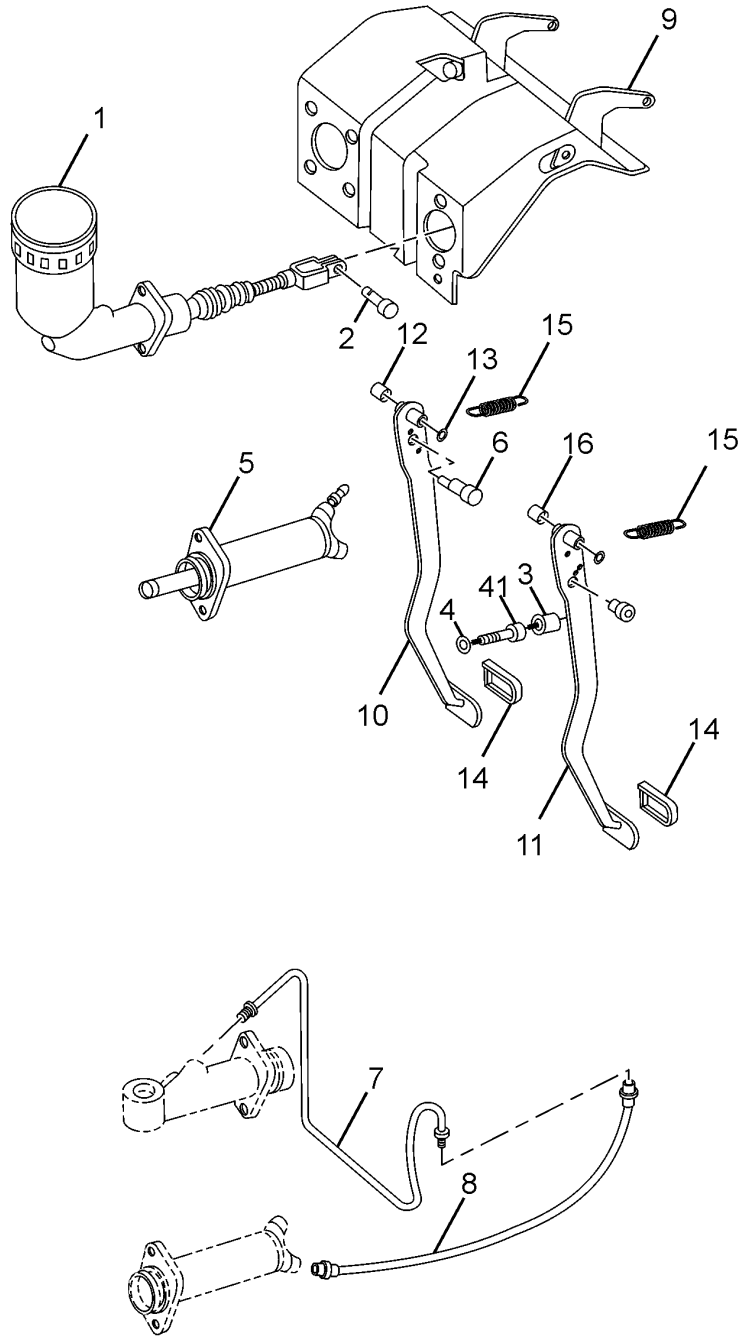
28.28.01		TRANSFER CASE		GROUP 28
CHASSIS TYPE: 374536; 374557				
FIG. NO.	PART NUMBER	DESCRIPTION	QTY	REMARKS
44	268728254601	CHAIN,DRIVE	1	
45	268728250102	SHAFT AND PUMP ASSY	1	
49	268728254201	CLAMP,HOSE	1	
50	268728254602	COUPLING,HOSE	1	
51	268728259901	GEROTOR PUMP	1	
54	268728403401	FACING LOCK UP FORK	2	
55	268728257901	SHAFT OUTPUT	1	
56	268728258201	STAINER,OIL	1	
57	268728255502	HUB,REDUCTION	1	
58	268728403402	FACING,REDUCTION FORK	1	
59	268728400101	FORK ASSY,REDUCTION SHIFT	1	
65	268728356501	NUT	1	
66	268728359201	WASHER	1	
67	268728357801	SEAL,OIL	1	
68	268728350101	YOKE ASSY DOUBLE CARDEN	1	
69	268728358201	DEFLECTOR,DUST	1	
71	268728257902	SHAFT,FRONT OUTPUT	1	
72	268728208801	STUD	5	
73	268728153201	BOLT,HAX.HEAD	6	
74	268728200101	ADAPTOR ASSY,FRONT	1	
75	268728204301	RING,SNAP	1	
76	268728207801	SEAL,OIL	1	
77	268728206701	PIN,SPIROL	1	
78	268728204701	ADAPTOR,FRONT	1	
78	268728159903	ADAPTOR,SELECTION	1	
79	268728204302	RING,SNAP	1	
80	268728203101	BEARING,ANNULAR	1	
81	268728200102	SHAFT ASSY,INPUT	1	
85	268728208601	WASHER,THRUST	1	
87	268728204303	SNAP RING	1	
88	268728208602	PLATE,THRUST	1	
89	268728205402	GEAR,SUN	1	
90	268728200104	CARRIER ASSY,PLANET	1	
91	268728200105	ASSY SPEEDO GEAR AND SHAFT	1	
94	268728207802	SEAL,SPEEDO	1	
95	268728207701	O RING	1	
96	268728203801	BODY,SPEEDO	1	
97	268728203201	BOLT	1	
98	268728759902	BREATHER ASSY	1	
99	268728159903	ADAPTOR,BREATHER	1	
100	268728405201	CAM,ELECTRIC SHIFT	1	
101	268728408702	SPRING,TORSION	1	

CHASSIS TYPE: 374536; 374557



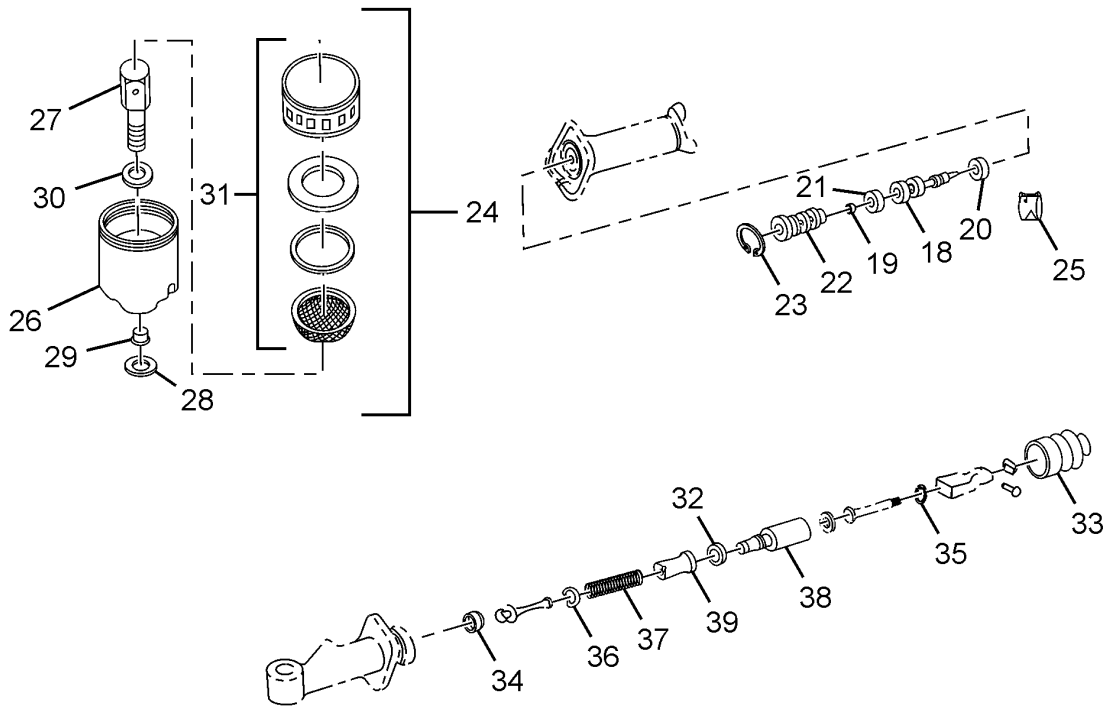
28.28.01		TRANSFER CASE		GROUP 28	
CHASSIS TYPE: 374536; 374557					
FIG. NO.	PART NUMBER	DESCRIPTION	QTY	REMARKS	
102	268728408601	SPACER	1		
103	268728407902	SHAFT,SHIFT	1		
105	268728150103	CASE ASSY,TRANSFER	1		
106	268728207801	SEAL,OIL	1		
107	268728154302	RING,SNAP	1		
108	268728153101	BEARING ANNULAR	1		
109	268728156701	PIN,DOWEL	2		
110	268728155401	GEAR,RING	1		
-	268728154301	CLIP CONNECTOR	1		
-	268728159903	ADAPTOR,SELECTION	1		

CHASSIS TYPE: ALL



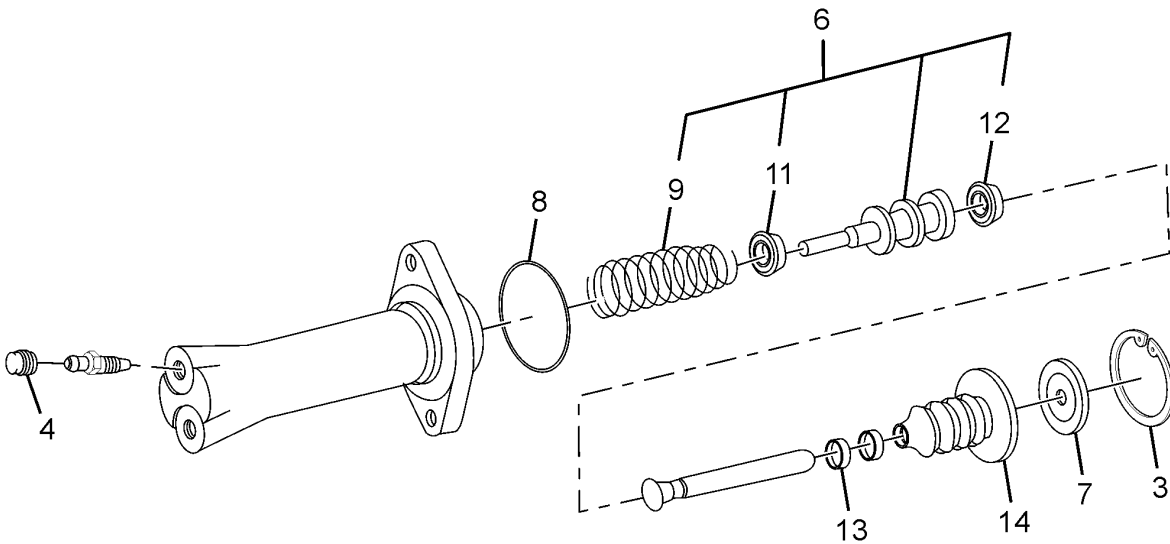
29.29.01		FOOT CONTROL		GROUP 29
CHASSIS TYPE: ALL				
FIG. NO.	PART NUMBER	DESCRIPTION	QTY	REMARKS
1	265429100194	ASSY,CLUTCH MASTER CYLINDER	1	
2	257329209901	CLEVIS PIN	1	
3	265429107702	RUBBER CAP(FOR PEDAL LEVER STOPPER)	1	
4	265429107703	RUBBER SPACER	1	
5	265429100136	ASSY,CLUTCH SLAVE CYLINDER	1	
-	269829207702	RUBBER SEALING	1	
6	265129106701	ADJUSTING ACCENTRIC PIN	1	
7	265429100197	ASSY,PIPE	1	
8	269929100169	ASSY,HOSE	1	
9	272129100102	ASSY,CONTROL MTG. WITH BRAKE AND CLUTCH	1	
10	265329100114	ASSY,BRAKE PEDAL LEVER(4:1)	1	
11	272129100104	ASSY,PEDAL LEVER CLUTCH	1	
12	265129103401	SINTERED BUSH	2	
13	265129108602	SPACER	2	
14	265829107704	RUBBER COVER(BRAKE AND CLUTCH PEDAL)	2	
15	265829308701	RETURN SPRING(PEDAL LEVER)	2	
16	265129106307	BUSH	1	
41	269829100140	ASSY,STOPPER BOLT WITH RUBBER CAP	1	

CHASSIS TYPE: ALL



29.29.02		REPAIR KITS - CMC AND CSC (BRAKES INDIA)		GROUP 29
CHASSIS TYPE: ALL				
FIG. NO.	PART NUMBER	DESCRIPTION	QTY	REMARKS
-	265429100156	REPAIR KIT(MINOR)FOR CSC (BI) (23.81MM DIA)	1	
19		CLIP	1	
20		PISTON SEAL	1	
21		SEAL	1	
22		RUBBER BELLOW	1	
23		CIRCLIP	1	
25		GREASE TUBE	1	
-	265429100157	REPAIR KIT(MAJOR)FOR CSC(BI)(23.81 MM DIA)	1	
18		PISTON	1	
19		CLIP	1	
20		PISTON SEAL	1	
21		SEAL	1	
22		RUBBER BELLOW	1	
23		CIRCLIP	1	
25		GREASE TUBE	1	
-	265129100144	ASSY.FLUID RESV.FOR CMC(BI)(19.05 MM DIA)	1	
26		BRAKE FLUID CONTAINER	1	
27		BANJO	1	
28		RUBBER WASHER	1	
29		SLEEVE	1	
30		WASHER	1	
31		SUB ASSY,FILLER CAP	1	
-	265129100148	REPAIR KIT(MINOR) FOR CMC(BI)(19.05MM DIA)	1	
32		SEAL	1	
33		RUBBER BELLOW	1	
34		SEAL	1	
35		CIRCLIP	1	
36		SPRING WASHER	1	
37		SPRING	1	
-	265129100136	REPAIR KIT(MAJOR) FOR CMC(BI)(19.05MM DIA)	1	
38		PISTON	1	
39		VALVE SPACER	1	
24		ASSY. FLUID RESERVOIR	1	

CHASSIS TYPE: ALL



29.29.03		REPAIR KITS-CLUTCH SLAVE CYLINDER(CSC)(KBX)		GROUP 29
CHASSIS TYPE: ALL				
FIG. NO.	PART NUMBER	DESCRIPTION	QTY	REMARKS
	265429200105	REPAIR KIT(MINOR)FOR CSC(KBX)23.81	1	
8		DIA	1	
11		O RING	1	
12		PRIMARY SEAL	1	
14		SECONDARY SEAL	1	
		BOOT	1	
	265429200106	REPAIR KIT(MAJOR)FOR CSC(KBX)23.81	1	
		DIA	1	
3		CIRCLIP	1	
4		CAP,BLEEDER SCREW	1	
6		PISTON COMPLETE	1	
7		PISTON STOP RING	1	
8		O RING	1	
9		SPRING	1	
13		BOOT CLIP	1	
14		BOOT	1	

30.30.01

ASSY. ACCELERATOR PEDAL COMPLETE

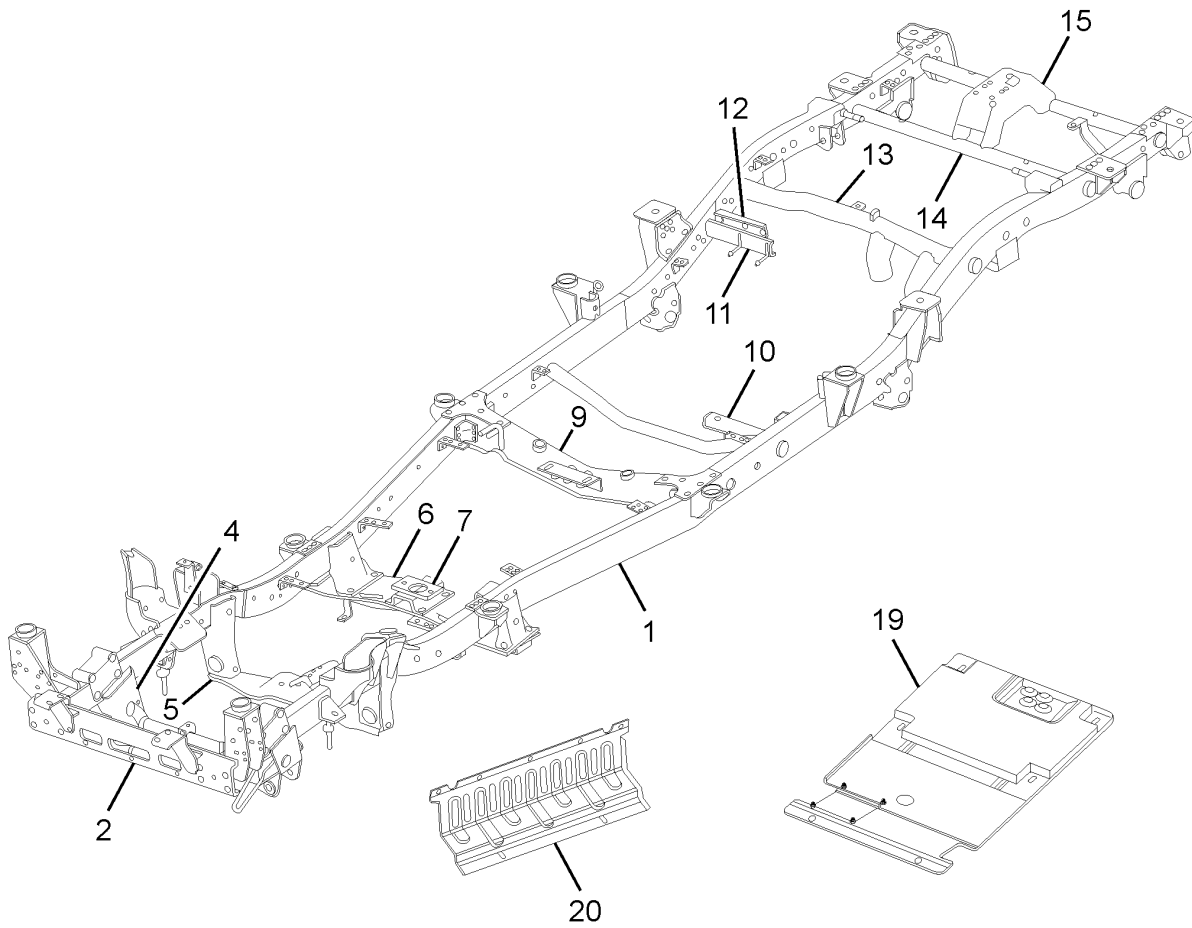
GROUP 30

CHASSIS TYPE: ALL

No Illustration Available

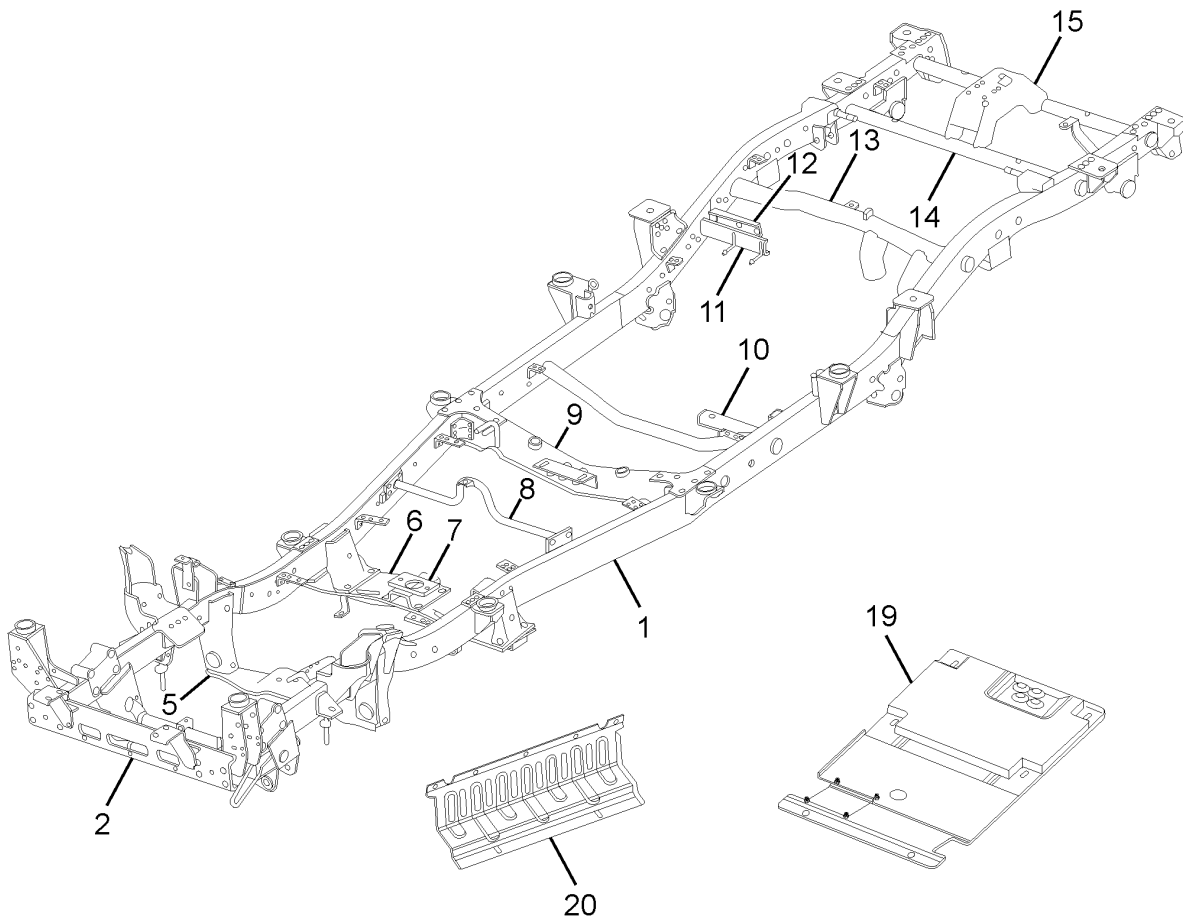
30.30.01		ASSY. ACCELERATOR PEDAL COMPLETE		GROUP 30	
CHASSIS TYPE: ALL					
FIG. NO.	PART NUMBER	DESCRIPTION	QTY	REMARKS	
1	269930100138	ASSY,ACCELERATOR PEDAL COMP	1		

CHASSIS TYPE: 374557



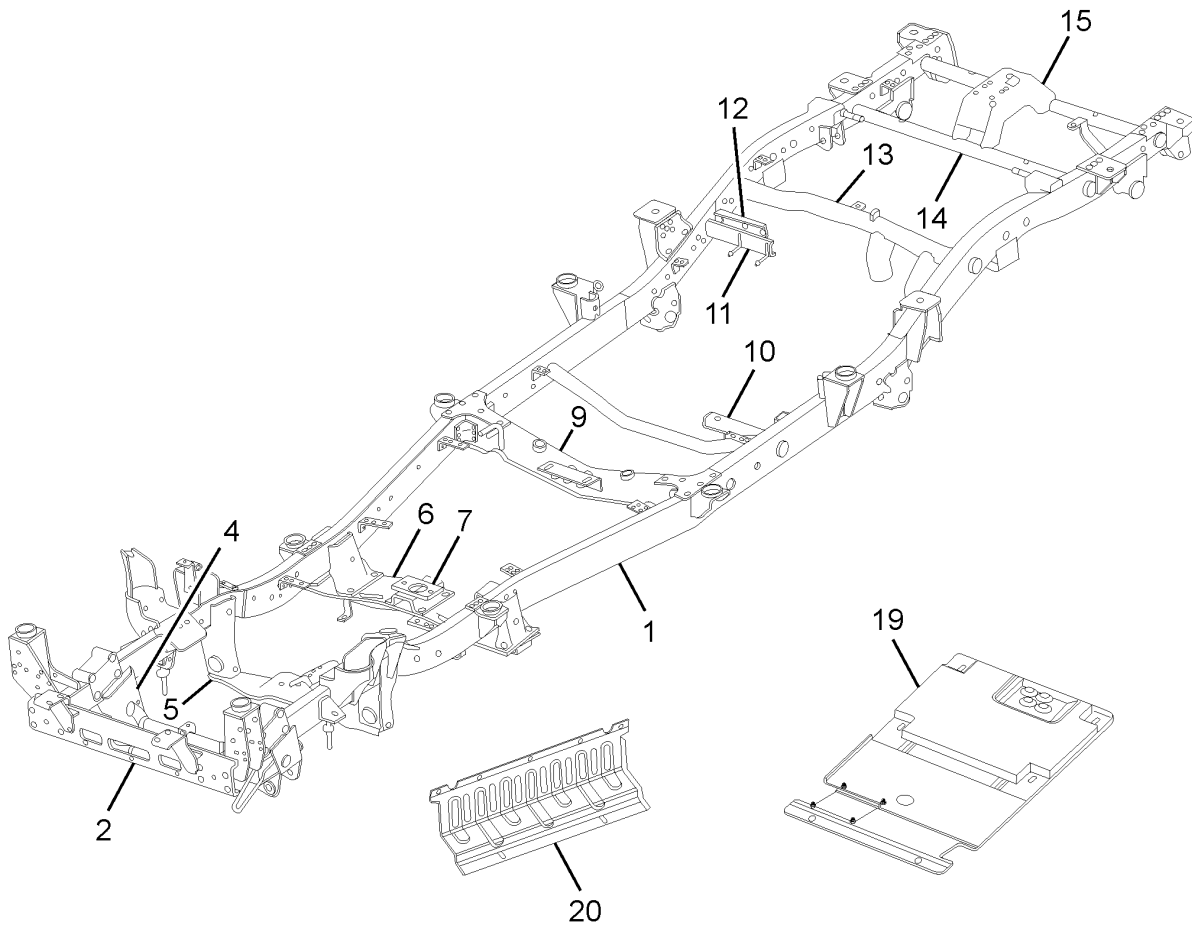
31.31.01		FRAME		GROUP 31	
CHASSIS TYPE: 374557					
FIG. NO.	PART NUMBER	DESCRIPTION	QTY	REMARKS	
1	272131000106	ASSY FRAME(2.2L DICOR)(4X4)(31 WB)	1		
2	283031210105	ASSY CROSSMEMBER(FRONT)	1		
4	266032100114	ASSY CROSSMEMBER FRT SUSP	1		
5	266032100103	ASSY CROSSMEMBER	1		
6	550231200106	ASSY CROSSMEMBER(ENGINE MTG REAR)	1		
7	265331200149	ASSY BRACKET(REAR ENGINE MOUNT 4X4)	1	- OPTIONAL	
7	550231200102	ASSY BRACKET(REAR ENGINE MOUNT 4X4)	1	- OPTIONAL	
9	272131200110	ASSY CROSSMEMBER(CENTER BEARING MTG)	1		
10	283031210102	ASSY BRACKET FRONT(FUEL TANK MTG)	1		
11	283049100111	ASSY BRACKET(SILENCER MTG)	1		
12	283042800108	ASSY BRACKET LCRV MOUNTING	1		
13	283031210101	ASSY CROSSMEMBER FUEL TANK MTG	1		
14	283031200113	ASSY CROSSMEMEBER REAR	1		
15	270140100103	ASSY BRACKET SPARE WHEEL MTG	1		
-	265331200137	ASSY REAR UNDERRUN PROTECTION DEVICE	1		
19	265331700103	ASSY NOISE SHIELD	1		
20	282631708202	FRONT SKIRT(SHEET METAL)	1		

CHASSIS TYPE: 374558



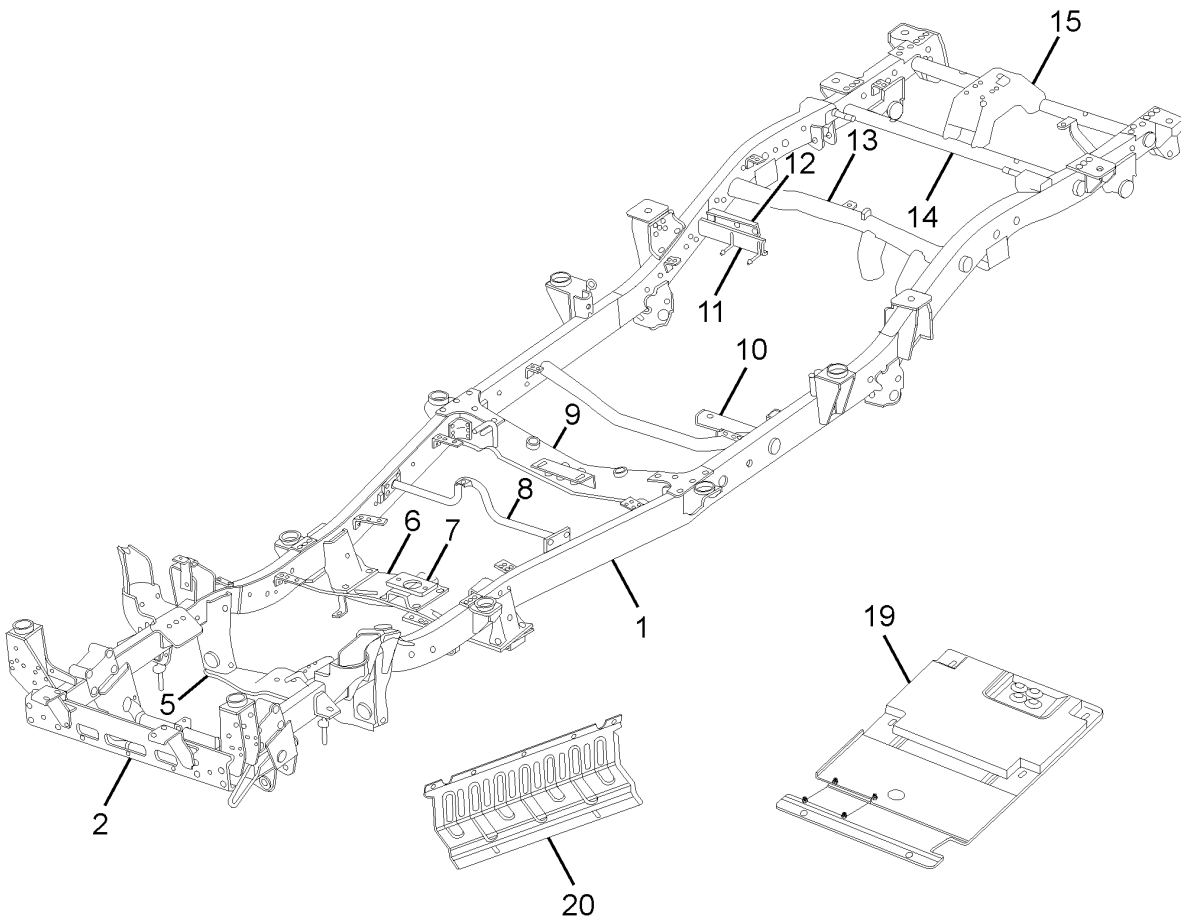
31.31.02		FRAME		GROUP 31	
CHASSIS TYPE: 374558					
FIG. NO.	PART NUMBER	DESCRIPTION	QTY	REMARKS	
1	283031000103	ASSY FRAME COMPLETE(2.2L DICOR 4X2 31WB)	1		
2	283031210105	ASSY CROSSMEMBER(FRONT)	1		
4	266032100114	ASSY CROSSMEMBER FRT SUSP	1		
5	266032100103	ASSY CROSSMEMBER	1		
6	550231200106	ASSY CROSSMEMBER(ENGINE MTG REAR)	1		
7	265331200150	ASSY BRACKET(REAR ENGINE MOUNT 4X2)	1	OPTIONAL	
7	289431200108	ASSY BRACKET(REAR ENGINE MOUNT 4X2)	1	OPTIONAL	
8	283031200111	ASSY TUBE(FOR GEAR BOX EXTENSION)	1		
9	283031200120	ASSY CROSSMEMBER(CENTER BEARING MTG)	1		
10	283031210102	ASSY BRACKET FRONT(FUEL TANK MTG)	1		
11	283049100111	ASSY BRACKET(SILENCER MTG)	1		
12	283042800108	ASSY BRACKET LCRV MOUNTING	1		
13	283031210101	ASSY CROSSMEMBER FUEL TANK MTG	1		
14	283031200113	ASSY CROSSMEMEBER REAR	1		
15	270140100103	ASSY BRACKET SPARE WHEEL MTG	1		
-	265331200137	ASSY REAR UNDERRUN PROTECTION DEVICE	1		
19	265331700103	ASSY NOISE SHIELD	1		
20	282631708202	FRONT SKIRT(SHEET METAL)	1		

CHASSIS TYPE: 374536



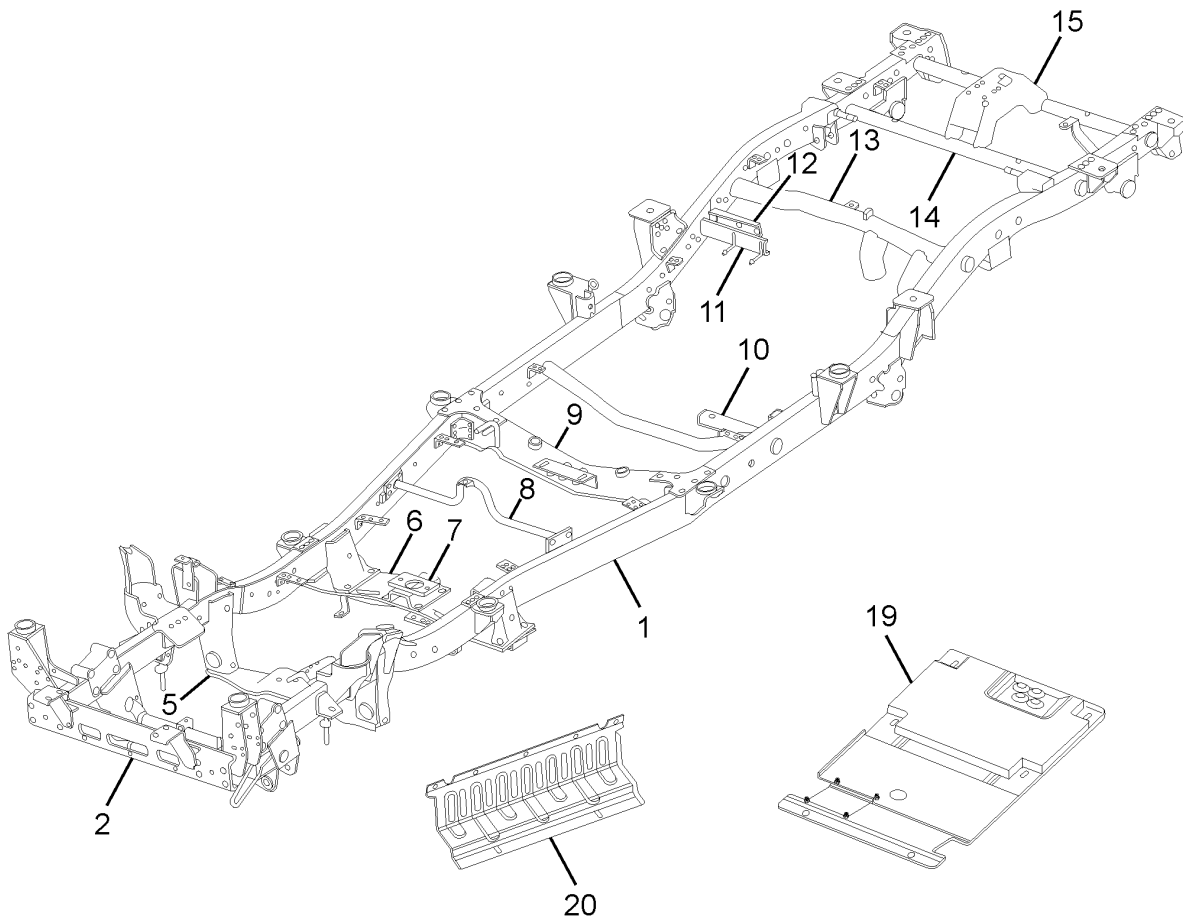
31.31.03		FRAME		GROUP 31
CHASSIS TYPE: 374536				
FIG. NO.	PART NUMBER	DESCRIPTION	QTY	REMARKS
1	265331000106	ASSY,FRAME(2.2L DICR)(4X4)(28WB)	1	
2	283031210105	ASSY,CROSSMEMBER(FRONT)	1	
4	266032100114	ASSY,CROSSMEMBER FRT. SUSP.	1	
5	266032100103	ASSY,CROSSMEMBER	1	
6	550231200106	ASSY,CROSSMEMBER(ENGINE MTG REAR)	1	
7	265331200149	ASSY BRACKET(REAR ENGINE MOUNT 4X4)	1	OPTIONAL
7	550231200102	ASSY BRACKET(REAR ENGINE MOUNT 4X4)	1	OPTIONAL
9	265331200147	ASSY CROSS MEMBER(CENTER BEARING MTG.)	1	
10	283031210102	ASSY,BRACKET FRONT(FUEL TANK MTG)	1	
11	283049100111	ASSY BRACKET(SILENCER MTG)	1	
12	283042800108	ASSY,BRACKET LCRV MOUNTING	1	
13	283031210101	ASSY CROSS MEMBER FUEL TANK MTG	1	
14	283031200113	ASSY,CROSSMEMBER REAR	1	
15	270140100103	ASSY,BRACKET SPARE WHEEL MTG	1	
-	265331200137	ASSY,REAR UNDERRUN PROTECTION DEVICE	1	
19	265331700103	ASSY,NOISE SHIELD	1	
20	282631708202	FRONT SKIRT(SHEET METAL)	1	

CHASSIS TYPE: 374506



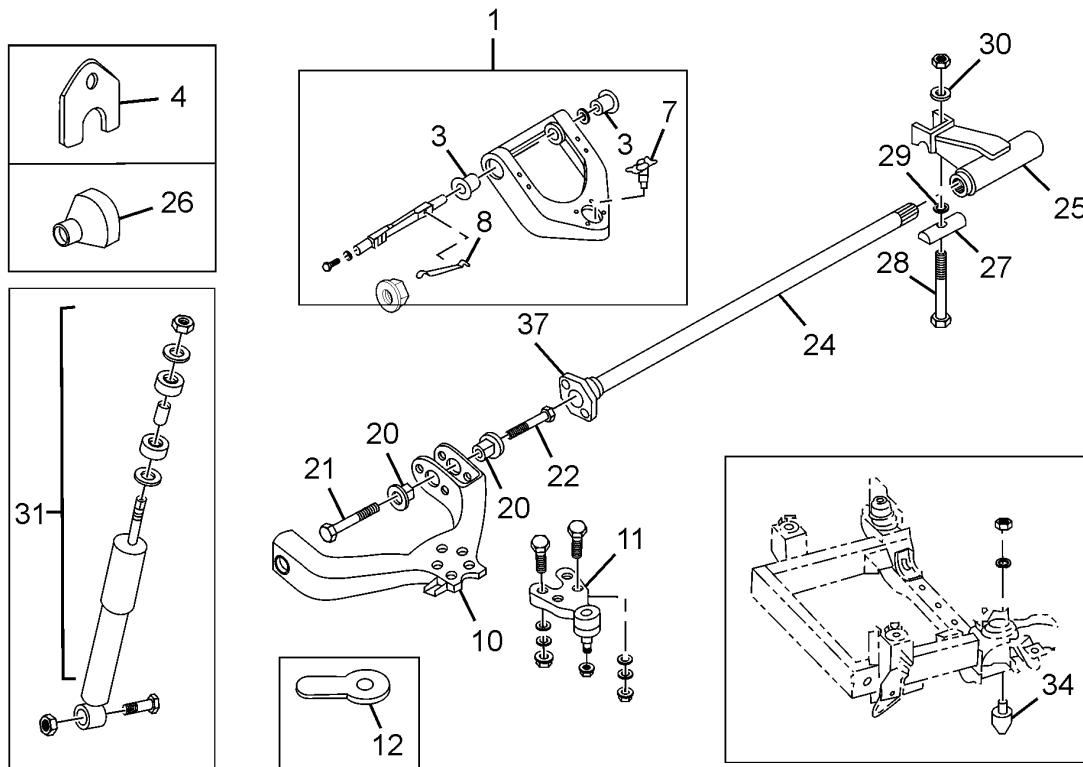
31.31.04		FRAME		GROUP 31	
CHASSIS TYPE: 374506					
FIG. NO.	PART NUMBER	DESCRIPTION	QTY	REMARKS	
1	282631000108	ASSY,FRAME COMPLETE(2.2L DICR 4X2 28WB)	1		
2	283031210105	ASSY,CROSSMEMBER(FRONT)	1		
4	266032100114	ASSY,CROSSMEMBER FRT. SUSP.	1		
5	266032100103	ASSY,CROSSMEMBER	1		
6	550231200106	ASSY,CROSSMEMBER(ENGINE MTG REAR)	1		
7	265331200150	ASSY BRACKET(REAR ENGINE MOUNT 4X2)	1	- OPTIONAL	
7	289431200108	ASSY BRACKET(REAR ENGINE MOUNT 4X2)	1	- OPTIONAL	
8	283031200111	ASSY,TUBE(FOR GEAR BOX EXTENSION)	1		
9	272131200106	ASSY CROSS MEMBER(CENTER BEARING MTG.)	1		
10	283031210102	ASSY,BRACKET FRONT(FUEL TANK MTG)	1		
11	283049100111	ASSY BRACKET(SILENCER MTG)	1		
12	283042800108	ASSY,BRACKET LCRV MOUNTING	1		
13	283031210101	ASSY CROSS MEMBER FUEL TANK MTG	1		
14	283031200113	ASSY,CROSSMEMBER REAR	1		
15	270140100103	ASSY,BRACKET SPARE WHEEL MTG	1		
-	265331200137	ASSY,REAR UNDERRUN PROTECTION DEVICE	1		
19	265331700103	ASSY,NOISE SHIELD	1		
20	282631708202	FRONT SKIRT(SHEET METAL)	1		

CHASSIS TYPE: 374508



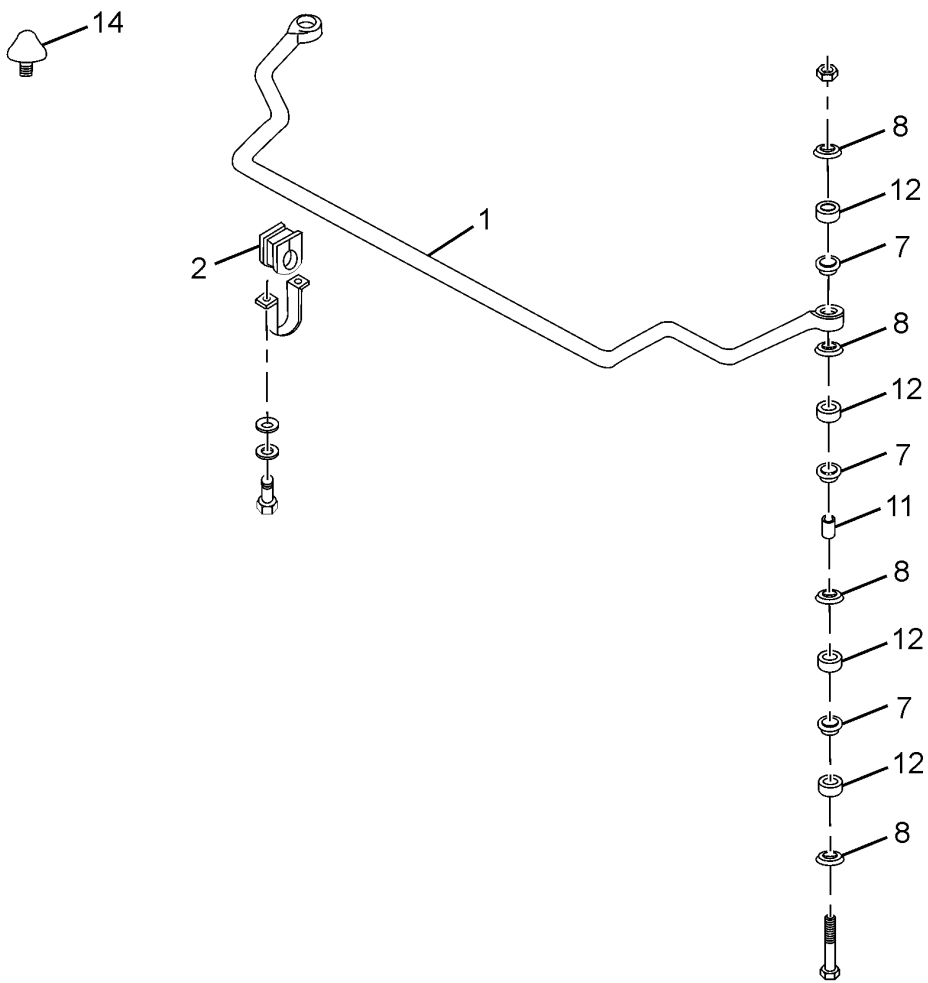
31.31.05		FRAME		GROUP 31	
CHASSIS TYPE: 374508					
FIG. NO.	PART NUMBER	DESCRIPTION	QTY	REMARKS	
1	282631000109	ASSY,FRAME(2.2L DICOR)(4X2)(31 WB)	1		
2	283031210105	ASSY,CROSSMEMBER(FRONT)	1		
4	266032100114	ASSY,CROSSMEMBER FRT. SUSP.	1		
5	266032100103	ASSY,CROSSMEMBER	1		
6	550231200106	ASSY,CROSSMEMBER(ENGINE MTG REAR)	1		
7	265331200150	ASSY BRACKET(REAR ENGINE MOUNT 4X2)	1	OPTIONAL	
7	289431200108	ASSY BRACKET(REAR ENGINE MOUNT 4X2)	1	OPTIONAL	
8	283031200111	ASSY,TUBE(FOR GEAR BOX EXTENSION)	1		
9	283031200120	ASSY CROSS MEMBER(CENTER BEARING MTG.)	1		
10	283031210102	ASSY,BRACKET FRONT(FUEL TANK MTG)	1		
11	283049100111	ASSY BRACKET(SILENCER MTG)	1		
12	283042800108	ASSY,BRACKET LCRV MOUNTING	1		
13	283031210101	ASSY CROSS MEMBER FUEL TANK MTG	1		
14	283031200113	ASSY,CROSSMEMBER REAR	1		
15	270140100103	ASSY,BRACKET SPARE WHEEL MTG	1		
-	265331200137	ASSY,REAR UNDERRUN PROTECTION DEVICE	1		
19	265331700103	ASSY,NOISE SHIELD	1		
20	282631708202	FRONT SKIRT(SHEET METAL)	1		
-	26543170015022	ASSY CROSS RUNNER (FOR FIXING LAMP)	1		

CHASSIS TYPE: ALL



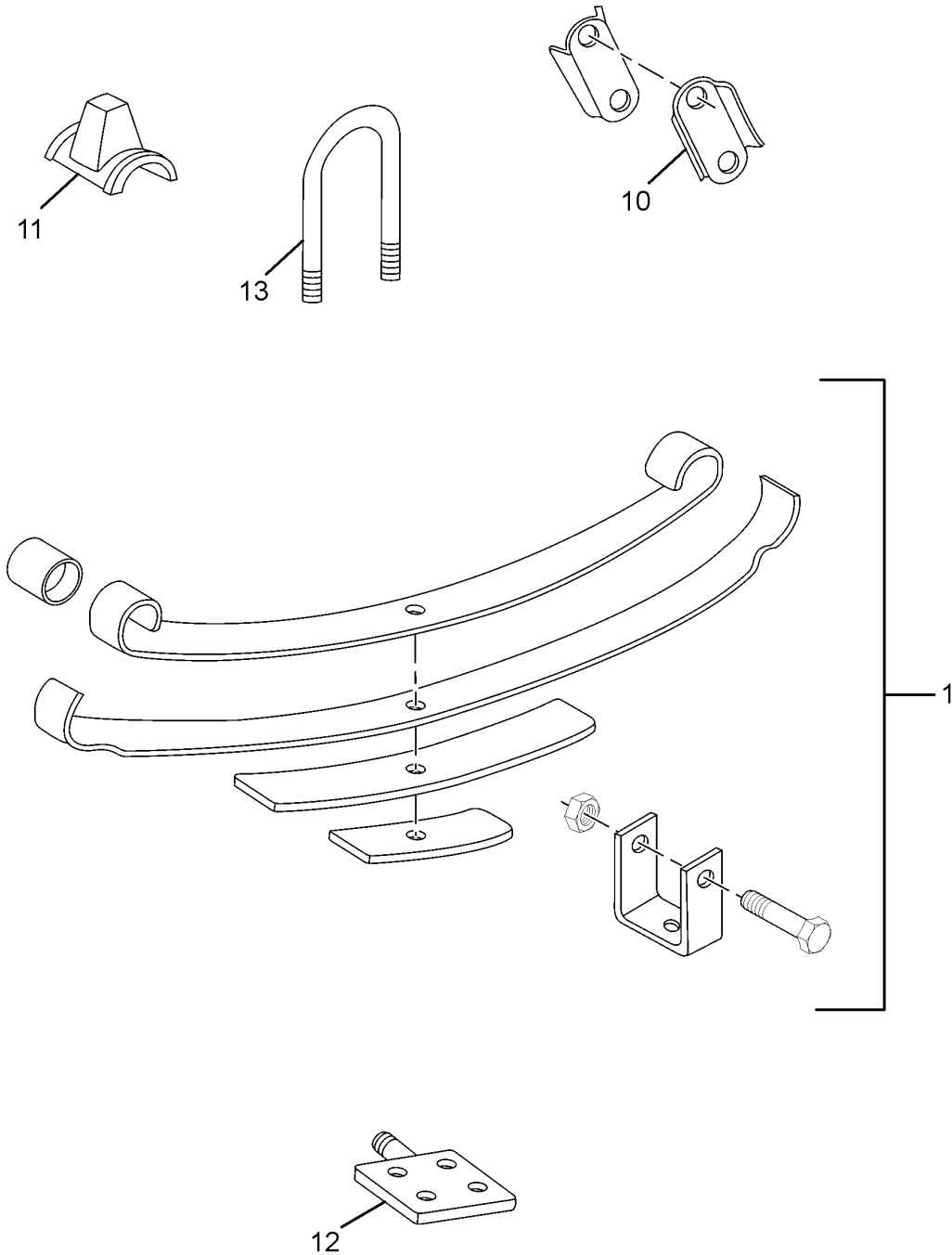
32.32.01		FRONT SUSPENSION		GROUP 32	
CHASSIS TYPE: ALL					
FIG. NO.	PART NUMBER	DESCRIPTION	QTY	REMARKS	
1	269932100142	ASSY.UPPER WISHBONE COMPLETE L.H.	1		
1	269932100143	ASSY.UPPER WISHBONE COMPLETE R.H.	1		
3	269932100184	ASSY.PIVOT BUSH (UPPER WISHBONE)	4		
4	269932108309	SHIM (CASTOR ADJUSTMENT)	AR		
7	265932100114	ASSY. BALL JOINT TOP WISHBONE	2		
8	269932108306	SHIM 2.00 THK.	AR	FOR SELECTION	
8	269932108307	SHIM 3.15 THK.	AR	FOR SELECTION	
8	269932108308	SHIM 4.00 THK.	AR	FOR SELECTION	
10	269932100188	SUB ASSY LOWER WISHBONE-RH	1		
10	269932100189	SUB ASSY LOWER WISHBONE-LH	1		
11	269932100101	ASSY,LOWER BALL JOINT	1		
12	270432108301	SHIM 1.6 THK.	AR	FOR SELECTION	
12	270432108302	SHIM 2.5 THK.	AR	FOR SELECTION	
12	270432108303	SHIM 3.15 THK.	AR	FOR SELECTION	
20	265832100134	ASSY,PIVOT BUSH(FRT. SUSP.LOWER LINK)	4		
21	269932103203	MOUNTING PIN (LOWER WISHBONE FRONT)	2		
22	269932103202	MOUNTING PIN (LOWER WISHBONE REAR)	2		
24	269932107907	TORSION BAR RH (28 DIA)	1		
24	269932107908	TORSION BAR LH (28 DIA)	1		
25	269932100178	ASSY. LEVER RH (TORSION BAR FRT. SUSPN.)	1		
25	269932100179	ASSY. LEVER LH (TORSION BAR FRT. SUSPN.)	1		
26	269932107501	RUBBER CAP (TORSION BAR)	4		
27	269932109201	SPACER (TORSION BAR)	2		
28	269932103201	ANCHOR BOLT (TORSION BAR)	2		
29	270432109201	WASHER	4		
30	269932109204	SPHERICAL WASHER (FRT.SUSP.T/BAR)	2		
31	269932300105	ASSY.FRONT SHOCK ABSORBER	2		
34	265432110128	ASSY.RUBBER STOPPER (BUMP).	2		
37	269932105102	MOUNTING BRACKET (TORSION BAR)	1		

CHASSIS TYPE: ALL



32.32.02		FRONT ANTI-ROLL BAR		GROUP 32
CHASSIS TYPE: ALL				
FIG. NO.	PART NUMBER	DESCRIPTION	QTY	REMARKS
1	269932800106	ASSY.FRONT ANTI-ROLL BAR	1	
2	269932807701	BEARING BLOCK (ANTI-ROLL BAR)	2	
7	269632808204	CUP (FRONT ANTIROLL BAR)	6	
8	269632808205	CUP (FRONT ANTIROLL BAR)	8	
11	269932800103	ASSY SLEEVE [FRONT ANTIROLL BAR]	2	
12	269632807502	RUBBER BUSH (FRONT ANTI-ROLL BAR)	8	
14	269932107701	REBOUND STOP	2	

CHASSIS TYPE: ALL



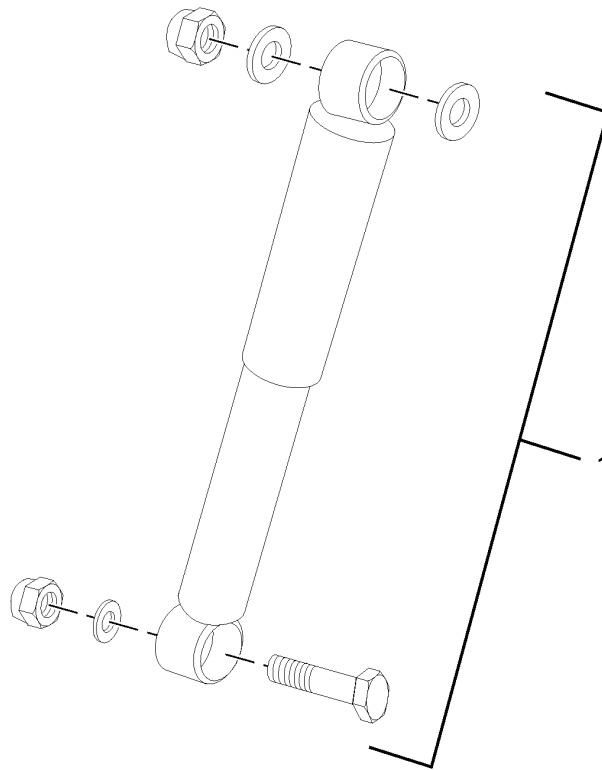
32.32.03		REAR SPRING		GROUP 32	
CHASSIS TYPE: ALL					
FIG. NO.	PART NUMBER	DESCRIPTION	QTY	REMARKS	
1	282632400105	ASSY. REAR SPRING (PARABOLIC)	2		
10	265432400116	ASSY.SHACKLE.(REAR SPRG.)	4		
11	265432500101	ASSY REAR AXLE STOPPER	2		
12	269832400143	ASSY. GUIDE PLATE LH	1		
12	269832400144	ASSY. GUIDE PLATE RH	1		
13	265432504205	"U"CLAMP.(REAR SPRG.)	4		

32.32.04

REAR SHOCK ABSORBER

GROUP 32

CHASSIS TYPE: ALL

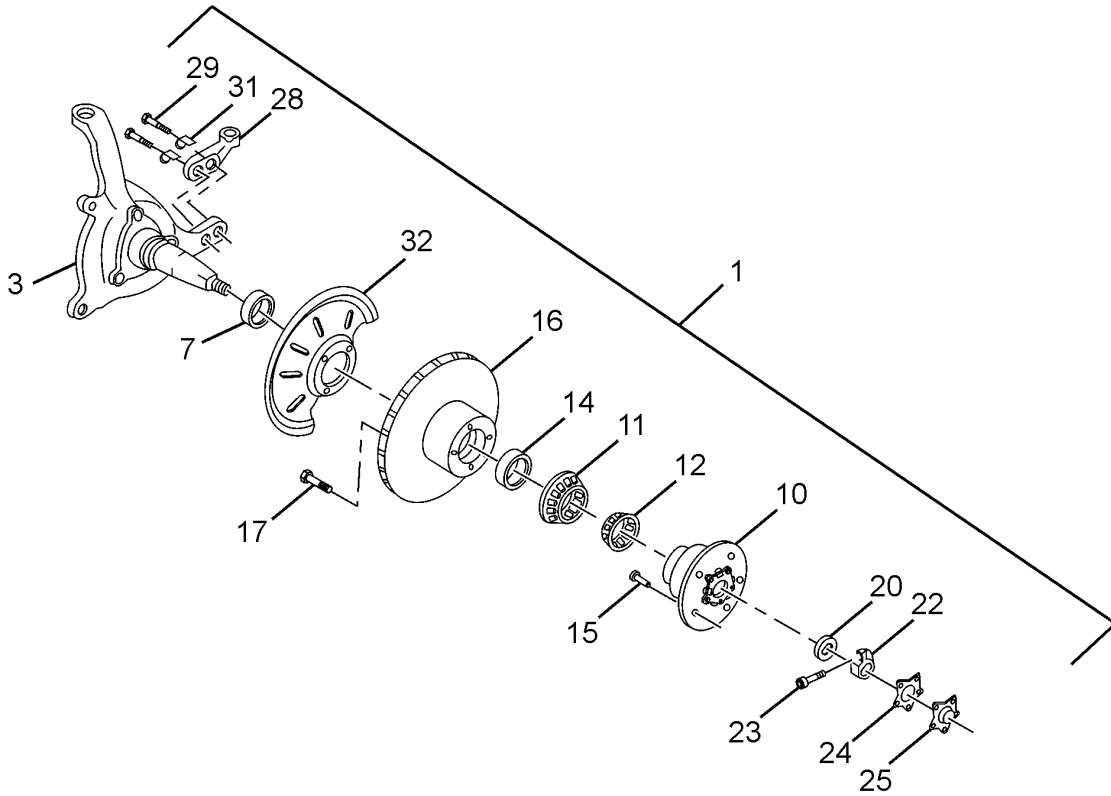


32.32.04

A07

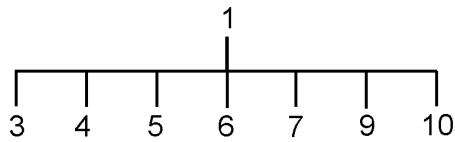
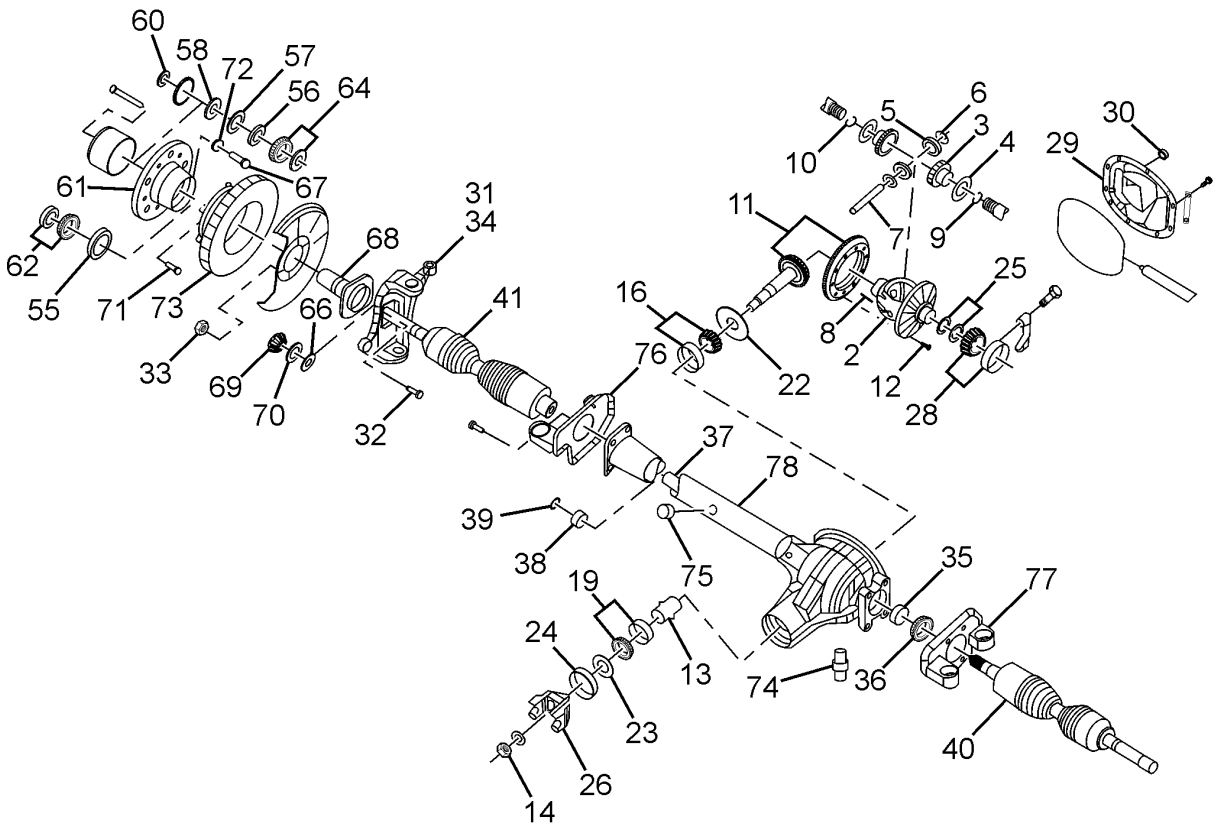
32.32.04		REAR SHOCK ABSORBER		GROUP 32	
CHASSIS TYPE: ALL					
FIG. NO.	PART NUMBER	DESCRIPTION	QTY	REMARKS	
1	269832600118	ASSY. REAR SHOCK ABSORBER	2		

CHASSIS TYPE: 374508; 374558; 374506



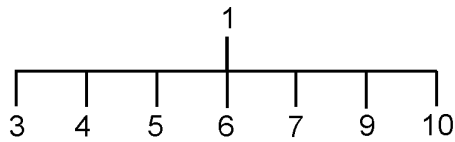
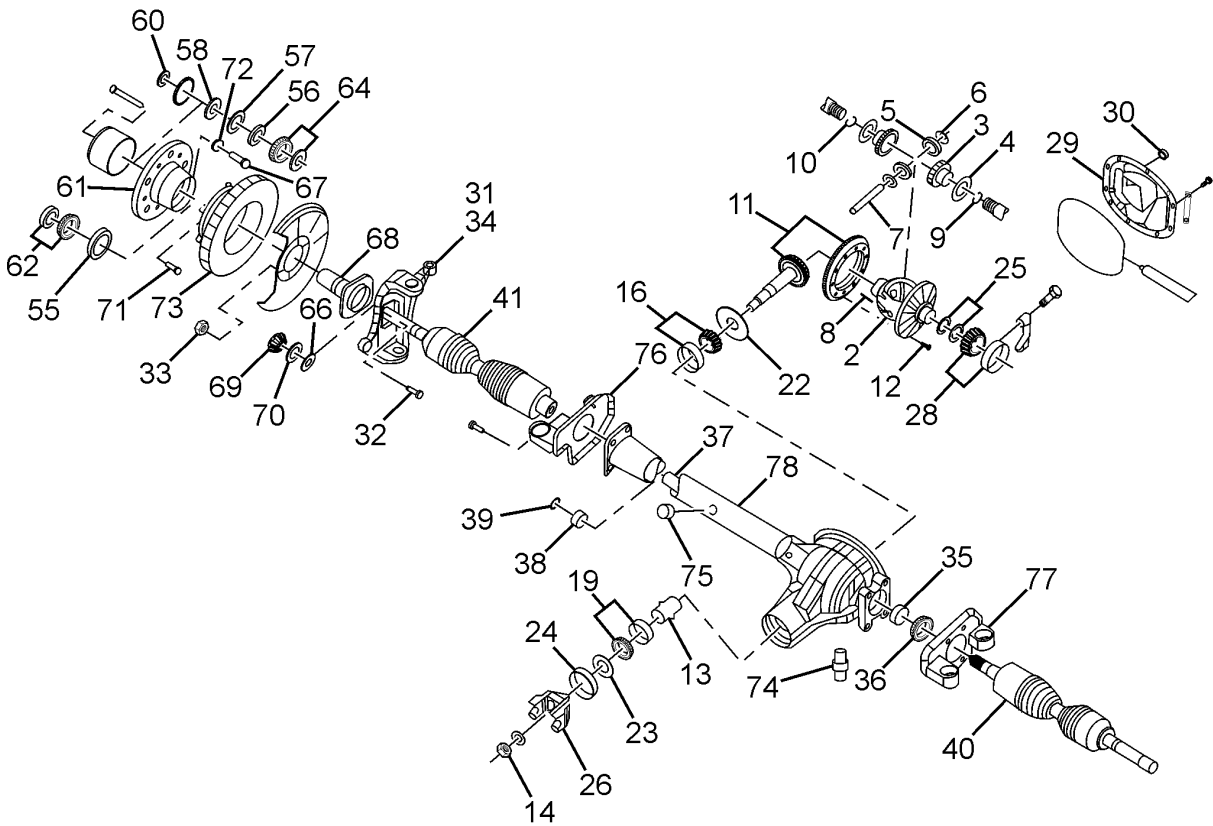
33.33.01		FRONT AXLE(4X2)		GROUP 33	
CHASSIS TYPE: 374508; 374558; 374506					
FIG. NO.	PART NUMBER	DESCRIPTION	QTY	REMARKS	
1	271933000105	ASSY,FRONT AXLE-RH-TWIN POT-4X2-TELCO	1		
1	271933000106	ASSY,FRONT AXLE-LH-TWIN POT-4X2-TELCO	1		
3	271933205103	STUB AXLE-RH	1		
3	271933205104	STUB AXLE-LH	1		
7	265433408601	SEAL RACE	2		
10	265433403702	HUB (FRONT)	2		
11	265433403104	TAPER ROLLER BEARING-INNER	2		
12	265433403103	TAPER ROLLER BEARING-OUTER	2		
14	265433407801	OIL SEAL	2		
15	265440106702	WHEEL MOUNTING BOLT	10		
16	271942103704	BRAKE DISC VENTILATED-4X2-TWIN POT-TELCO	2		
17	265442803201	BOLT (BRAKE DISC)	10		
20	265433409201	THRUST WASHER	2		
22	265433205107	SPLIT NUT	2		
23	11411408207	CAP SCREW	2		
24	265433407701	GASKET	2		
25	265433408202	HUB COVER	2		
28	269933805103	TIE ROD ARM - RH	1		
28	269933805104	TIE ROD ARM - LH	1		
29	265433803209	BOLT (STEERING ARM MOUNTING)	4		
31	12580601306	TAB WASHER 13	4		

CHASSIS TYPE: 374536; 374557



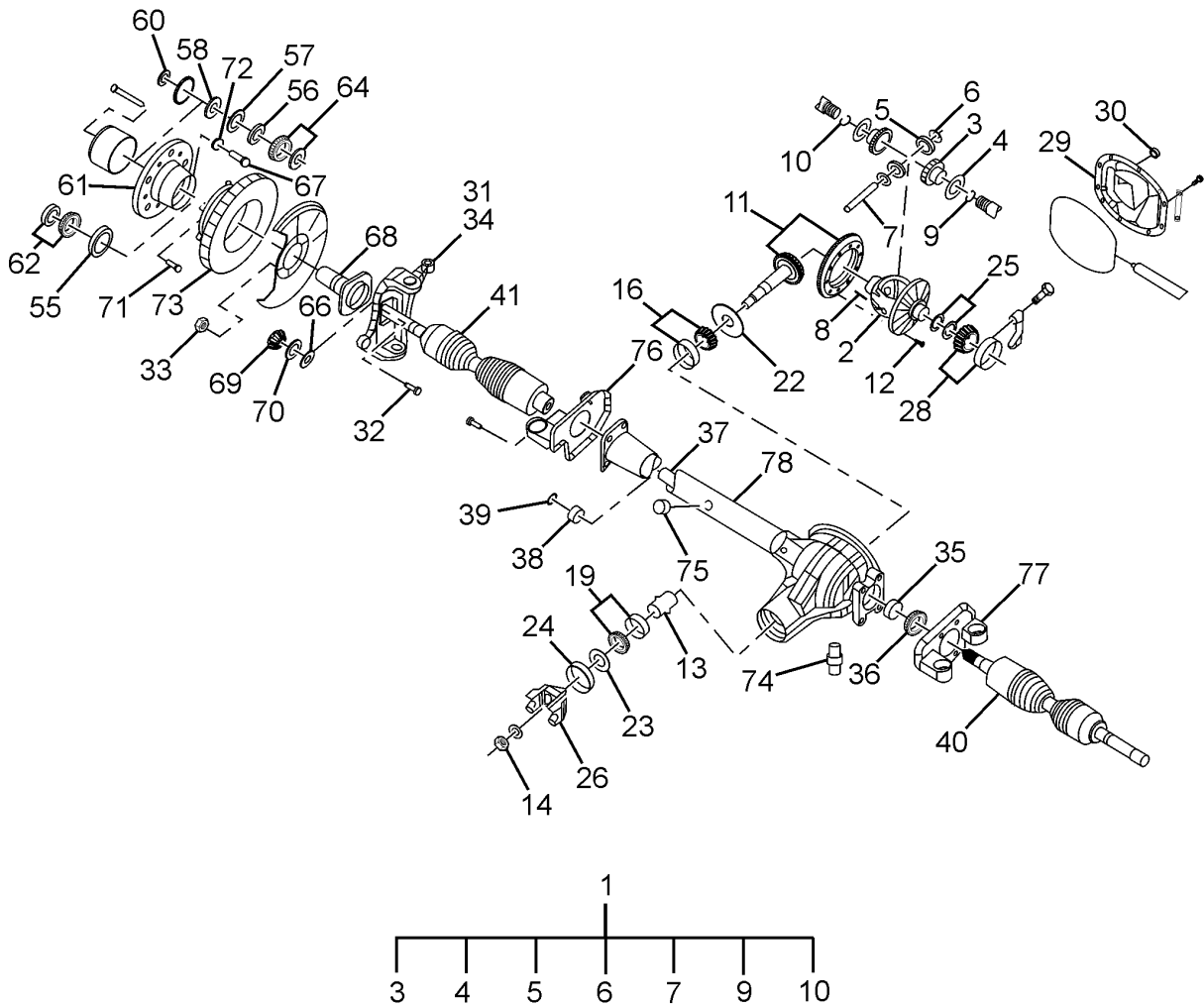
33.33.02		FRONT AXLE(4X4)		GROUP 33	
CHASSIS TYPE: 374536; 374557					
FIG. NO.	PART NUMBER	DESCRIPTION	QTY	REMARKS	
-	266733050198	ASSY.FRONT LIVE AXLE, RATIO 3.73,W/O HUB	1		
-	266733750116	ASSY.AUTO LOCKING HUB WITH HEX.SCREWS	2		
-	265442800128	ASSY.HOSE (3.2 DIA.)	1		
-	257433150102	ASSY FILTER BREATHER	1		
-	266433159904	ADAPTER (FOR BREATHER)	1		
1	266733500101	KIT FOR DIFFERENTIAL CASE CONSISTS OF:-	1		
2	266733505101	DIFFERENTIAL CASE ASSY	1		
3	266733505401	DIFFERENTIAL SIDE GEAR	2		
4	266733509201	THRUST WASHER - DIFFERENTIAL SIDE GEAR	2		
5	266733505402	DIFFERENTIAL PINION MATE GEAR	2		
6	266733509202	THRUST WASHER	2		
7	266733507901	DIFFERENTIAL SHAFT STD	1		
8	266335305105	PIN ROLE	1		
9	266733504301	RING SNAP RH C.V. SHAFT TO SIDE GERAR	1		
10	266733504302	RING SNAP LH C.V. SHAFT TO SIDE GERAR	1		
11	266733350111	RING GEAR PINION KIT (GEAR RATIO 3.73)	1		
12	266733558001	RING GEAR SCREW	10		
13	266733558601	COLLAPSIBLE SPACER	2		
14	266335356502	NUT PINION	1		
16	266733550103	ASSY BEARING (PINION INNER)	1		
19	266733550104	PINION OUTER BEARING CUP/CONE	1		
22	266733358201	INNER SLINGER PINION OIL	1		
23	266733358202	OUTER SLINGER PINION OIL	1		
24	266335307711	OIL SEAL	1		
25	266733508301	SHIM ADJ.	1		
26	266733350101	ASSY END YOKE (THIS INCLUDE SL.NO 52&53)	1		
28	266733500102	DIFFERENTIAL BEARING CUP / CONE	2		
29	266733108201	COVER CARRIER FIN	1		
30	266733107201	FILLER PLUG	1		
31	266733853701	KNUCKLE STEERING LH	1		
32	266733858001	BOLT HEX	12		
33	266733856501	NUT LOCK	12		
34	266733853702	KNUCKLE STEERING RH	1		

CHASSIS TYPE: 374536; 374557



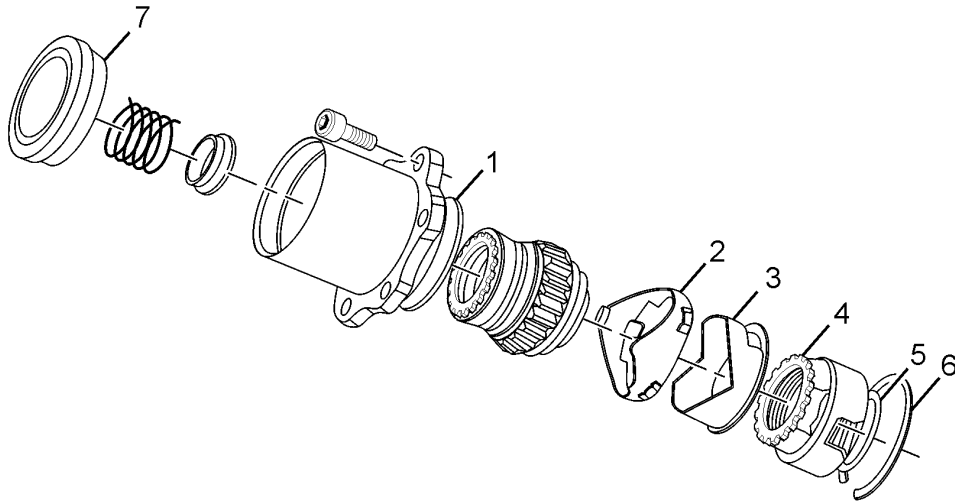
33.33.02		FRONT AXLE(4X4)		GROUP 33	
CHASSIS TYPE: 374536; 374557					
FIG. NO.	PART NUMBER	DESCRIPTION	QTY	REMARKS	
35	266733753107	BEARING ASSY W/O RACE	1		
36	266733757804	OIL SEAL	2		
37	266733757902	AXLE SHAFT FIN	1		
38	266733753106	BEARING ASSY W/O RACE	1		
39	266733754306	RING SNAP	1		
40	266733750106	SHAFT AND JOINT ASSEMBLY RH	1		
41	266733750107	SHAFT AND JOINT ASSEMBLY LH	1		
-	266733750101	KIT FOR RZEPPA BOOT KIT, CONSISTING OF:-	1		
		BOOT	1		
		65 GMS GREASE PACKET	1		
		155 GMS GREASE PACKET	1		
		CLAMP	1		
		CLAMP	1		
		SNAP RING	1		
		SNAP RING	1		
		SNAP RING	1		
-	266733750102	KIT FOR DOJ END JOINT BOOT	1		
		BOOT	1		
		110 GMS GREASE PACKET	1		
		155 GMS GREASE PACKET	1		
		CLAMP	1		
		CLAMP	1		
		SNAP RING	1		
		SNAP RING	1		
		SNAP RING	1		
55	266733757801	OIL SEAL (FOR HUB)	2		
56	266733750108	NUT AND PIN ASSY BEARING	2		
57	266733756502	LOCK BEARING ADJ. RING	2		
58	266733756501	NUT SPINDLE	2		
60	266733754305	SNAP RING	2		
61	266733755101	HUB WHEEL FIN	2		
62	266733750103	ASSY BEARING (WHEEL HUB INNER)	2		
64	266733750104	BEARING (WHEEL HUB OUTER)	2		
66	266733757802	OIL SEAL (IN SPINDLE)	2		
67	266733753201	WHEEL BOLT	10		
68	266733757901	SPINDLE WHEEL BEARING	2		
69	266733753105	BEARING ASSY W/O RACE (ON SPINDLE)	2		
70	266733757803	OIL SEAL (IN SPINDLE)	2		
71	266733758001	HEX SCREW	10		
72	266733756101	LOCK WASHER	10		

CHASSIS TYPE: 374536; 374557



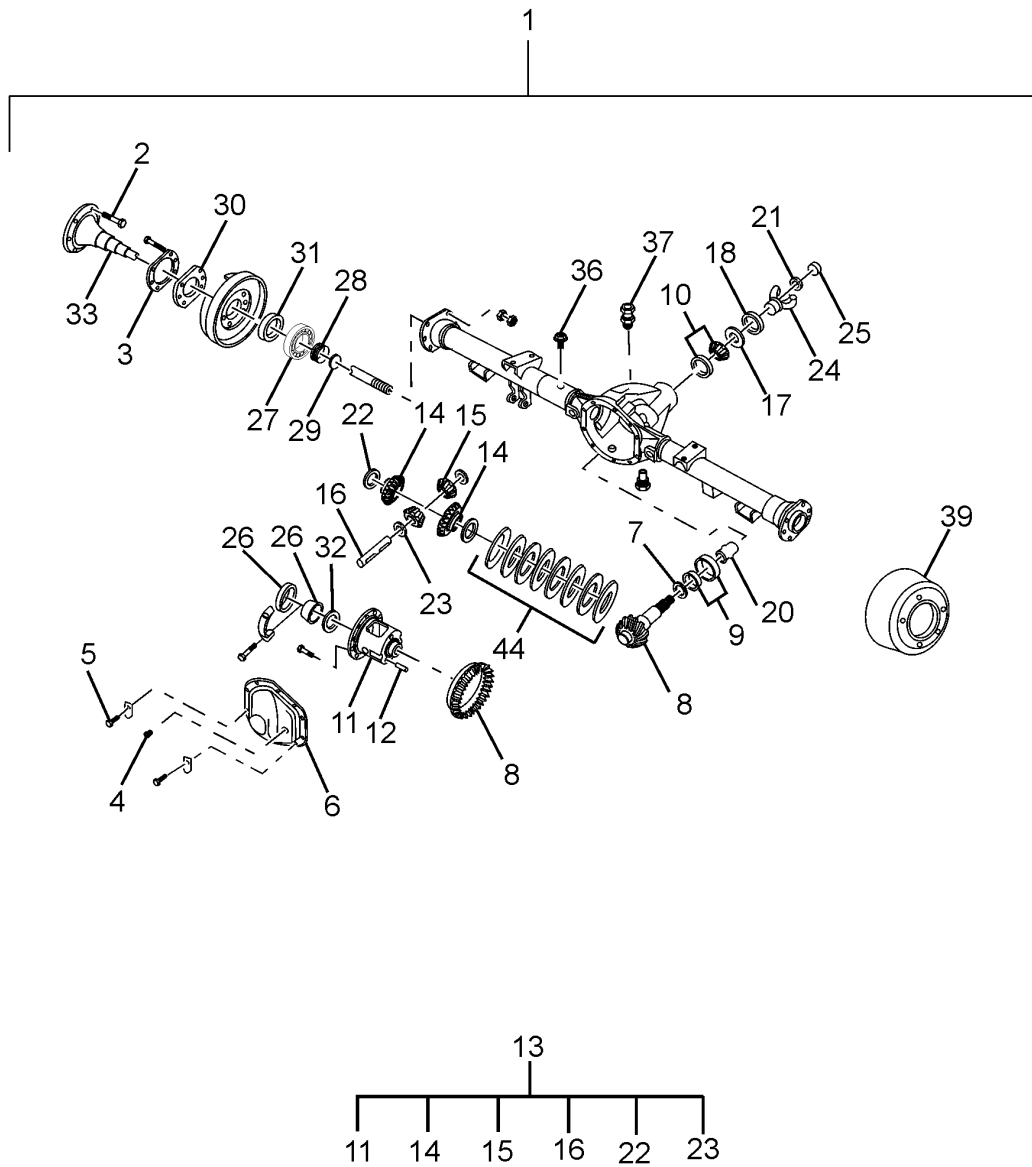
33.33.02		FRONT AXLE(4X4)		GROUP 33	
CHASSIS TYPE: 374536; 374557					
FIG. NO.	PART NUMBER	DESCRIPTION	QTY	REMARKS	
73	271942103701	BRAKE DISC (VENTILATED) TWIN POT CALIPER	2		
74	266733107202	DRAIN PLUG	1		
75	266733759904	BREATHER	1		
76	266733150109	MOUNTING BRACKET	1		
77	266733150110	MOUNTING BRACKET LH	1		
78	266733050163	AXLE HOUSING ASSY	1		

CHASSIS TYPE: 374536; 374557



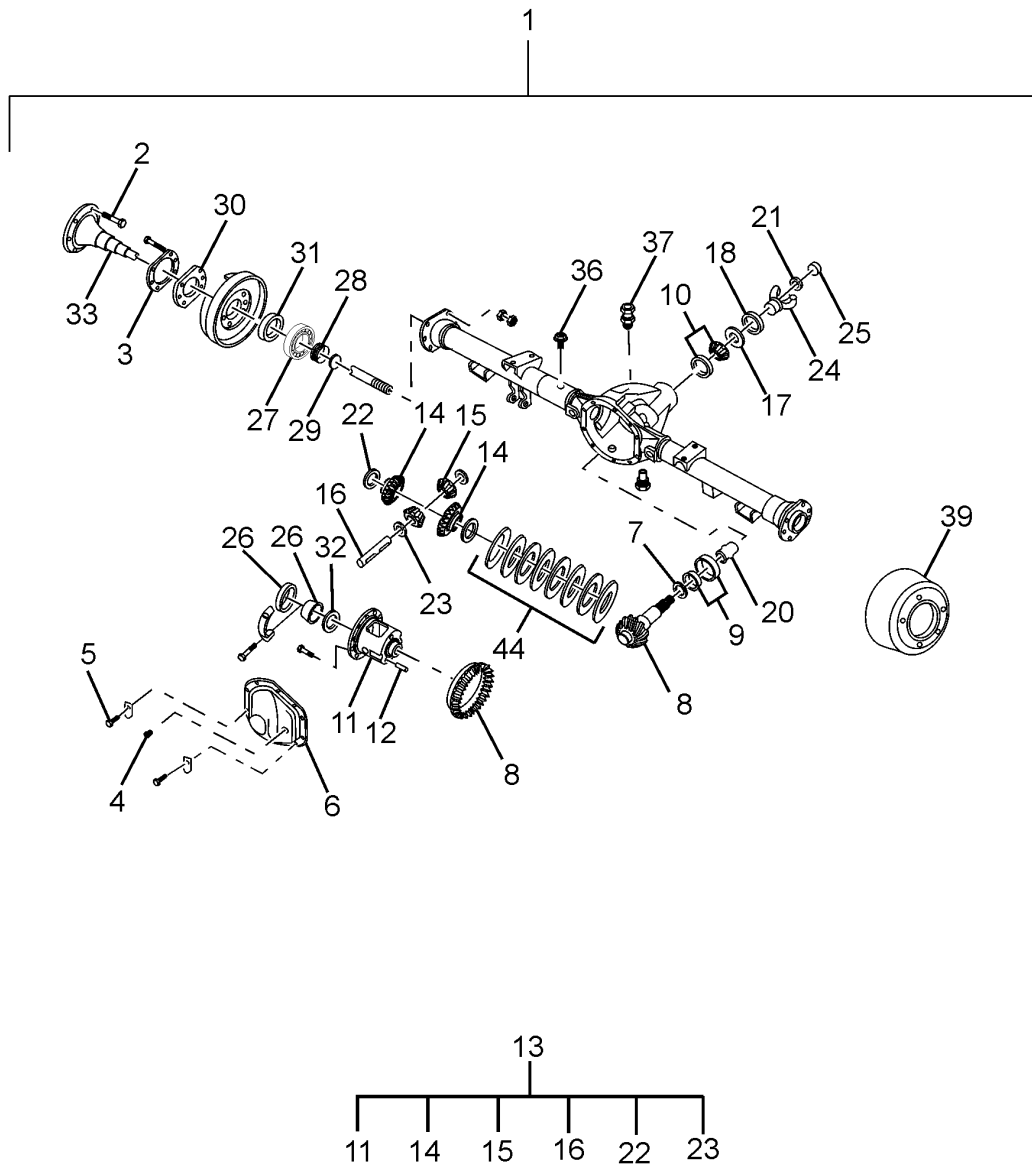
33.33.03		HUB LOCK ASSY		GROUP 33	
CHASSIS TYPE: 374536; 374557					
FIG. NO.	PART NUMBER	DESCRIPTION	QTY	REMARKS	
10	266733750117	SERVICE KIT HUB LOCK ASSY	1		
1		O-RING	1		
2		CAGE OUTER	1		
3		CAGE INNER	1		
4		ASSY,DRAG SLEEVE	1		
5		RING RETAINING	1		
6		RING RETAINING	1		
7		O-RING COVER	1		

CHASSIS TYPE: ALL



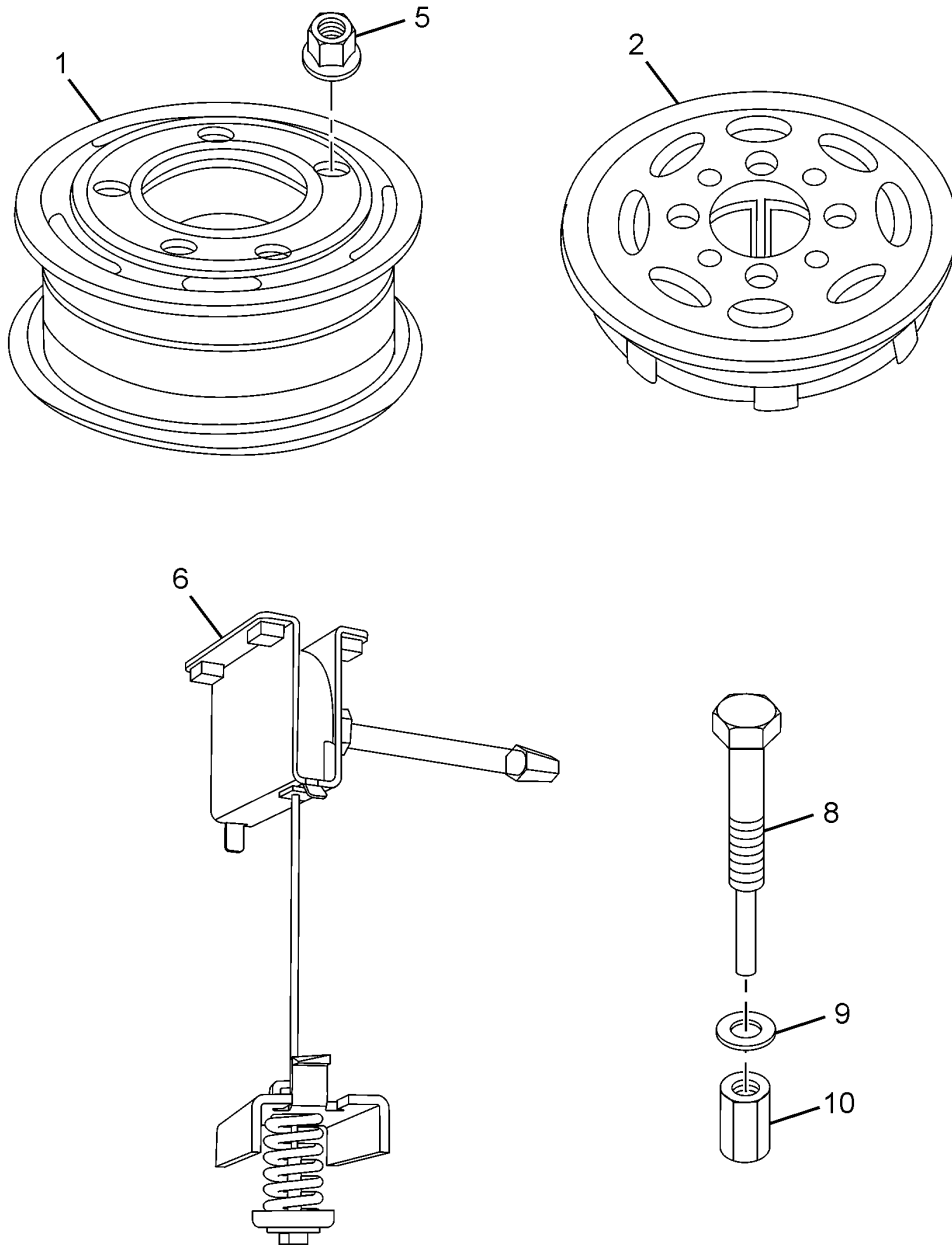
35.35.01		REAR AXLE		GROUP 35	
CHASSIS TYPE: ALL					
FIG. NO.	PART NUMBER	DESCRIPTION	QTY	REMARKS	
1	266335000225	ASSY DANA REAR AXLE 3.73(41/11)+REM BREA	1		
-	266335100157	ASSY DANA REAR AXLE HOUSING WITH TUBE	1		
2	266335103202	BOLT WHEEL RH	10		
3	266335103203	RETAINER BOLT	2		
4	266335107202	FILLER PLUGE	1		
5	266335108001	SCREW FLAGED HEAD 34279	10		
6	266335108203	COVER CARRIER	1		
7	266335108301	SHIM ADJ	AR		
8	266335300167	CROWN WHEEL PINION KIT (41/11 - 3.73)	1		
9	266335303104	PINION INNER BEARING	1		
10	266335303105	BEARING CUP/CONE ROLLER	1		
11	266335305104	STANDARD DIFFERENTIAL CASE	1		
12	266335305105	PIN ROLE	1		
13	266335300133	ASSY CASE DIFF	1		
16	266335305427	SHAFT DIFF.STD-17878	1		
17	266335307710	SLINGER-PINION OIL SEAL(OUTER)	1		
18	266335307711	PINION OIL SEAL	1		
19	266335308001	SCREW HEX.-41221	10		
20	266335308601	COLLAPSABLE SPACER	1		
21	266335308609	WASHER FLAT-30186	1		
22	266335319275	THRUST WASHER-SIDE GEAR	2		
23	266335319276	THRUST WASHER DIFF.PINION-133383	2		
24	266335355003	ASSY END YOKE	1		
25	266335356502	NUT PINION	1		
26	266335703106	BEARING CUP/CONE9DIFF CASE)	2		
27	266335703107	BEARING ASSY TAPER ROLLER-565904	2		
28	266335703108	RETAINER WHEEL BRG	2		
29	266335704302	SNAP RING(AXLE SHAFT)	2		
30	266335707708	RETAINER OIL SEAL-46975	2		
31	266335707709	SEAL OIL-AXLE SHAFT	2		
33	266335707902	SHAFT AXLE FLANGE	2		
36	257433150102	BREATHER	1		
37	266733107201	FILLER PLUG	1		
38	266733107202	DRAIN PLUG	1		
39	269942303702	BRAKE DRUM REAR	2		

CHASSIS TYPE: ALL



35.35.01		REAR AXLE		GROUP 35	
CHASSIS TYPE: ALL					
FIG. NO.	PART NUMBER	DESCRIPTION	QTY	REMARKS	
-	265442800128	ASSY.HOSE(FOR REMOTE BREATHER)	1		

CHASSIS TYPE: ALL



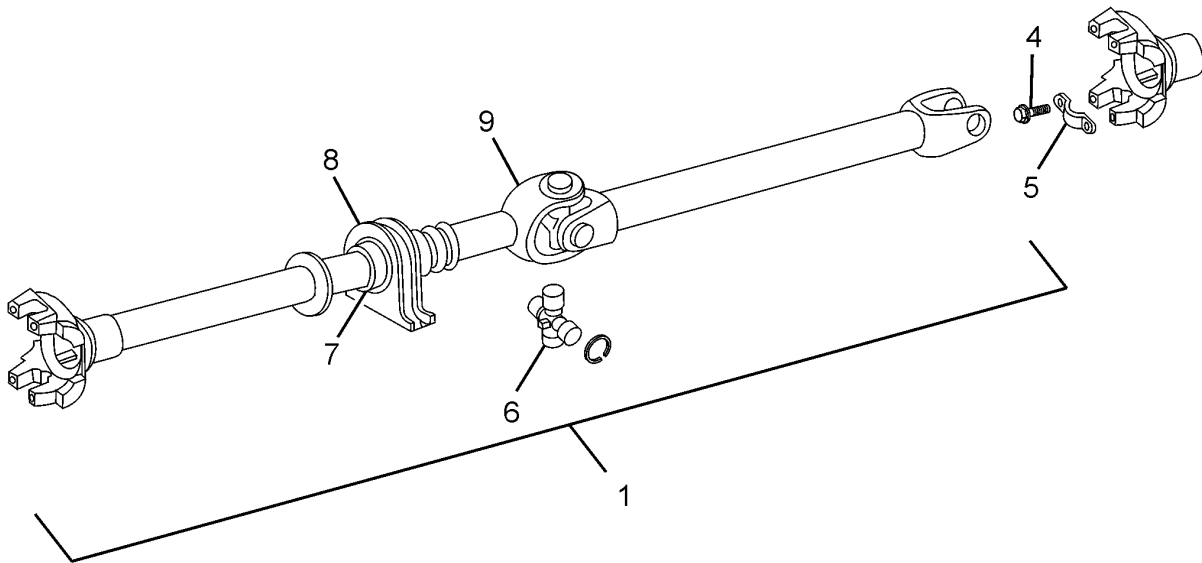
40.40.01		WHEEL RIM AND SPARE WHEEL CARRIER		GROUP 40
CHASSIS TYPE: ALL				
FIG. NO.	PART NUMBER	DESCRIPTION	QTY	REMARKS
1	269840100120	ASSY.WHEEL RIM 5.5JX16	1	
2	265340100110	ASSY.WHEEL RIM COVER	2	
5	265440106501	WHEEL NUT	5	
6	270140300104	ASSY. SPARE WHEEL CARRIER	1	
8	283040306901	HEX.BOLT M12	1	
9	265440306921	WASHER	1	
10	270140306501	SPARE WHEEL NUT (A/F 19)	1	

41.41.01A

PROPELLER SHAFT (4X2)

GROUP 41

CHASSIS TYPE: 374508; 374558



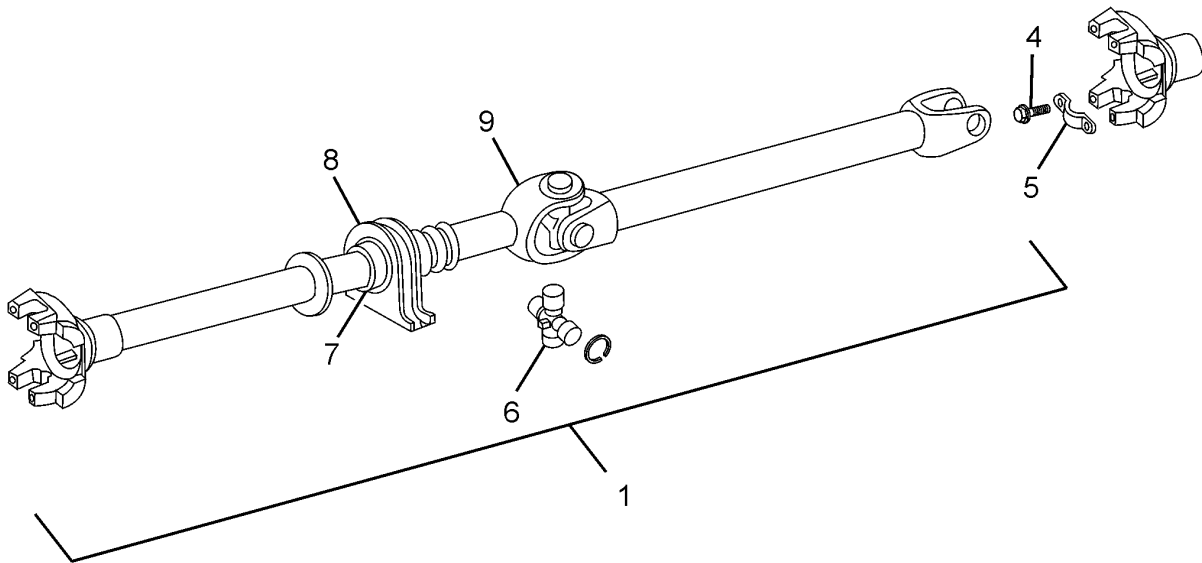
41.41.01A		PROPELLER SHAFT (4X2)		GROUP 41	
CHASSIS TYPE: 374508; 374558					
FIG. NO.	PART NUMBER	DESCRIPTION	QTY	REMARKS	
1	283041100101	ASSY. PROP.SHAFT COMPLETE (DANA)-31 WB	1		
-	265441100104	BEARING STRAP AND BOLT KIT CONSISTS OF:	2		
4		CAPSCREW	8		
5		BEARING STRAP	4		
6	269841100101	ASSY UJ KIT	2		
7	269841117701	CENTER BEARING RUBBER	1		
8	269842228203	CENTER BEARING BRACKET	1		
9	269841110118	SLIP YOKE	1		
-	265441100112	UJ CROSS KIT	1		
-	265441100113	SLIP YOKE KIT	1		

41.41.01B

PROPELLER SHAFT (4X2)

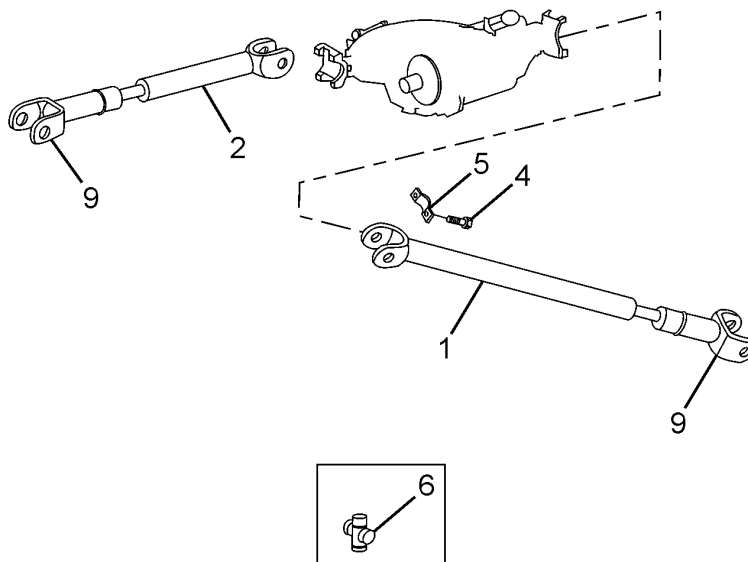
GROUP 41

CHASSIS TYPE: 374506



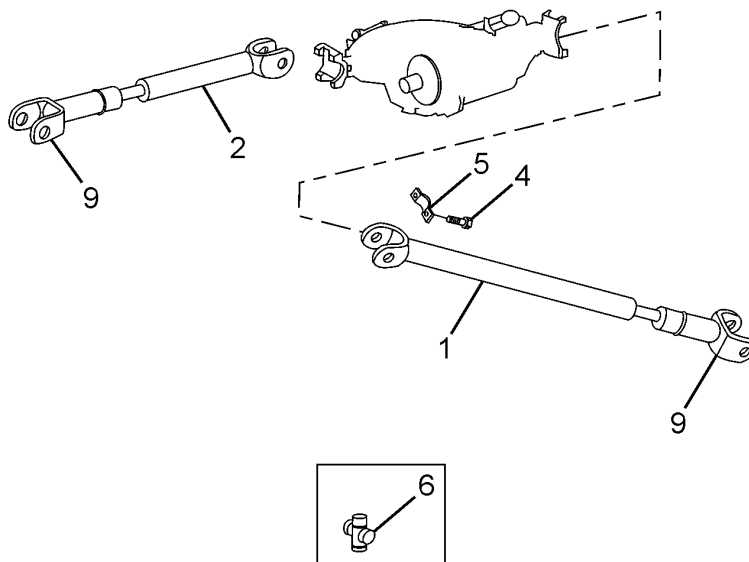
41.41.01B		PROPELLER SHAFT (4X2)		GROUP 41	
CHASSIS TYPE: 374506					
FIG. NO.	PART NUMBER	DESCRIPTION	QTY	REMARKS	
1	282641100101	ASSY. PROP.SHAFT COMPLETE (DANA)-28 WB	1		
-	265441100104	BEARING STRAP AND BOLT KIT CONSISTS OF:	2		
4		CAPSCREW	8		
5		BEARING STRAP	4		
6	269841100101	ASSY UJ KIT	2		
7	269841117701	CENTER BEARING RUBBER	1		
8	269842228203	CENTER BEARING BRACKET	1		
9	269841110118	SLIP YOKE	1		
-	265441100112	UJ CROSS KIT	1		
-	265441100113	SLIP YOKE KIT	1		

CHASSIS TYPE: 374536



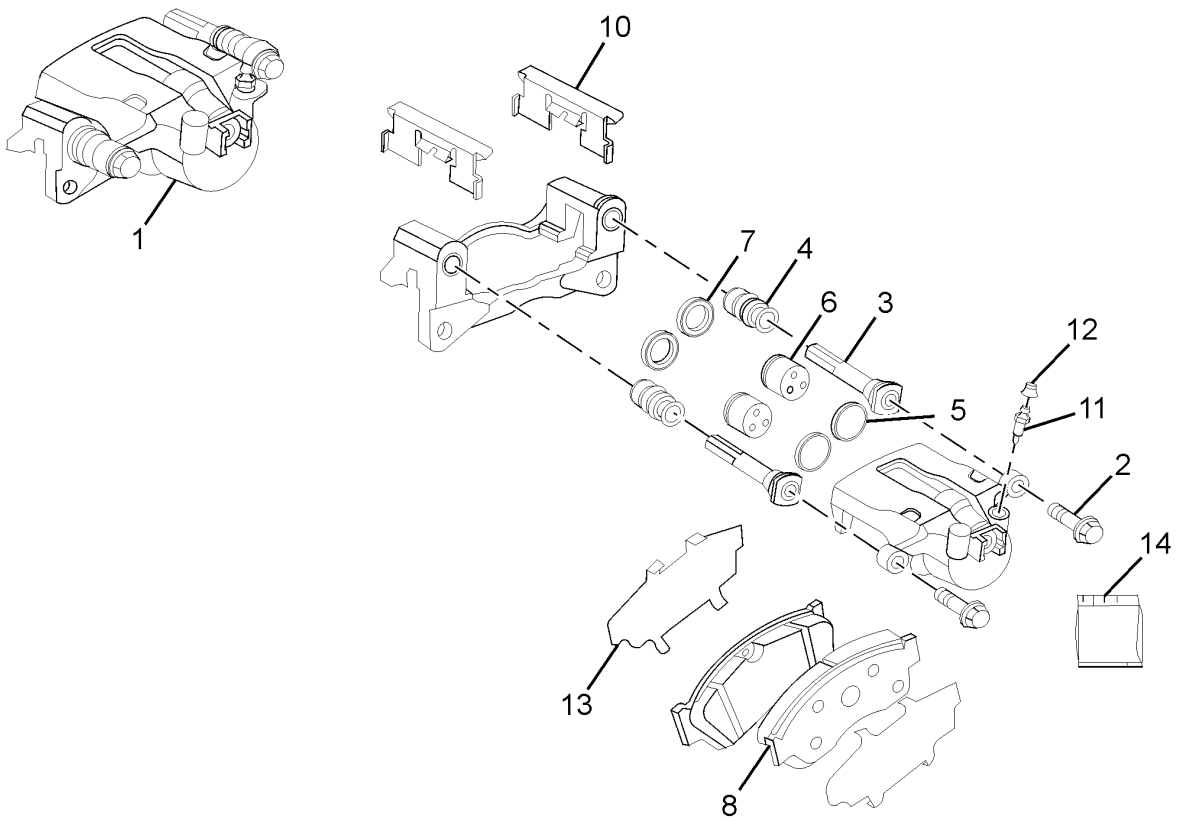
41.41.02A		PROPELLER SHAFT(4X4)		GROUP 41	
CHASSIS TYPE: 374536					
FIG. NO.	PART NUMBER	DESCRIPTION	QTY	REMARKS	
1	269941110139	ASSY PROPELLER SHAFT-4X4-M/S DANA	1		
2	265341100104	ASSY.PROP.SHAFT REAR COMPLETE (DANA)	1		
-	265441100104	BEARING STRAP AND BOLT KIT	1		
		CONSISTS OF:			
4		CAPSCREW	16		
5		BEARING STRAP	8		
6	269841100101	ASSY UJ KIT	2		
9	269841110118	SLIP YOKE	1		

CHASSIS TYPE: 374557



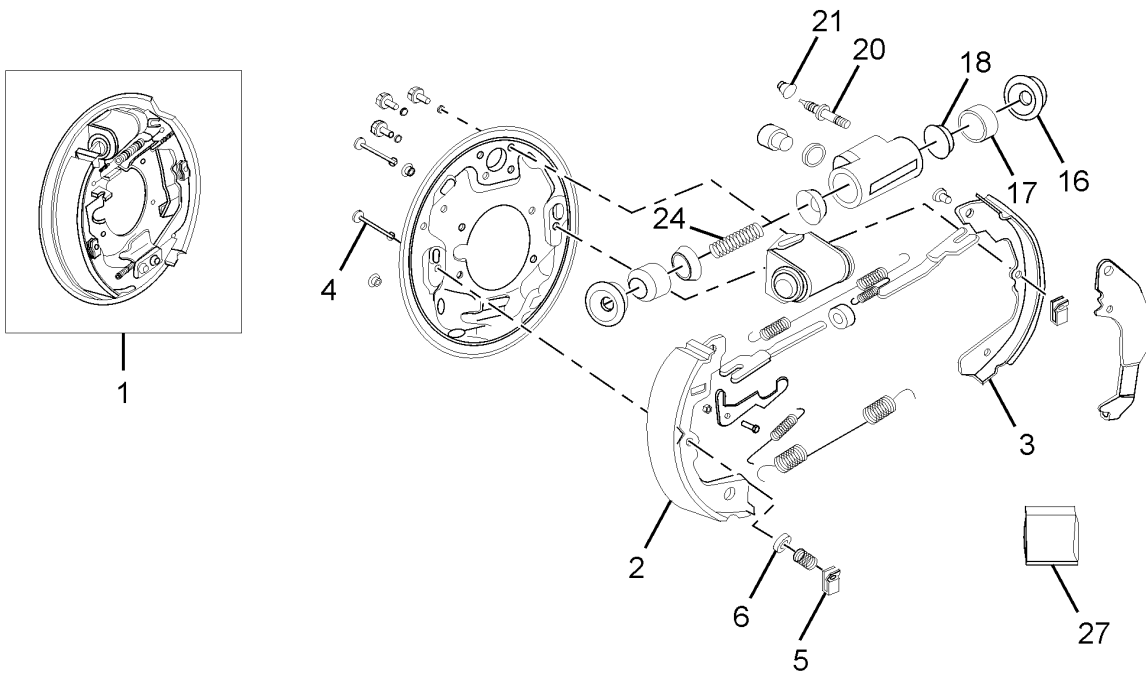
41.41.02B		PROPELLER SHAFT (4X4)		GROUP 41	
CHASSIS TYPE: 374557					
FIG. NO.	PART NUMBER	DESCRIPTION	QTY	REMARKS	
1	269941110139	ASSY PROPELLER SHAFT-4X4-M/S DANA	1		
2	272141100103	ASSY.PROP.SHAFT REAR COMPLETE	1		
-	265441100104	BEARING STRAP AND BOLT KIT	1		
		CONSISTS OF:			
4		CAPSCREW	16		
5		BEARING STRAP	8		
6	269841100101	ASSY UJ KIT	2		
9	269841110118	SLIP YOKE	1		

CHASSIS TYPE: ALL



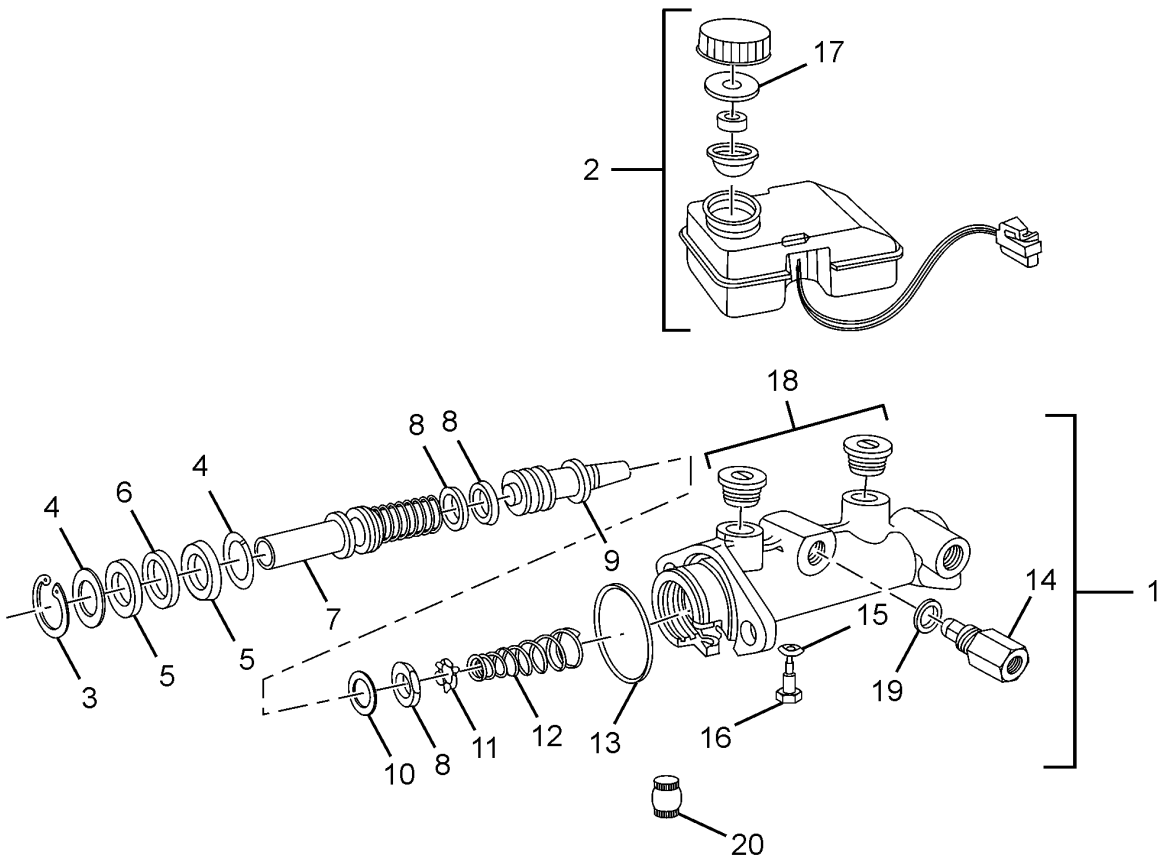
42.42.01		FRONT WHEEL BRAKES (TWIN POT CALIPER)		GROUP 42
CHASSIS TYPE: ALL				
FIG. NO.	PART NUMBER	DESCRIPTION	QTY	REMARKS
1	271942100103	ASSY,TWIN POT CALIPER(LH)(BRAKES INDIA)	1	
1	271942100104	ASSY,TWIN POT CALIPER(RH)(BRAKES INDIA)	1	
10	271942104301	ANTI RATTLE CLIP	4	
11	271942108001	CALIPER BLEED SCREW	2	
K1	271942100111	MAJOR KIT FOR CALIPER	1	
4		BOOT SLIDING PIN	2	
5		SEALING RING	2	
6		PISTON	2	
7		BOOT(PISTON)	2	
12		DUST CAP	1	
14		GREASE SACHET	2	
K2	271942100112	MINOR KIT FOR CALIPER	1	
4		BOOT SLIDING PIN	2	
5		SEALING RING	2	
7		BOOT(PISTON)	2	
12		DUST CAP	1	
14		GREASE SACHET	2	
K3	271942100113	SLIDING PIN KIT FOR CALIPER	1	
2		BOLT PIN	2	
3		SLIDING PIN	2	
4		BOOT SLIDING PIN	2	
14		GREASE SACHET	2	
K4	271942100114	PAD ASSY,KIT FOR CALIPER	1	
8		PAD ASSY	4	
13		SHIM	4	

CHASSIS TYPE: ALL



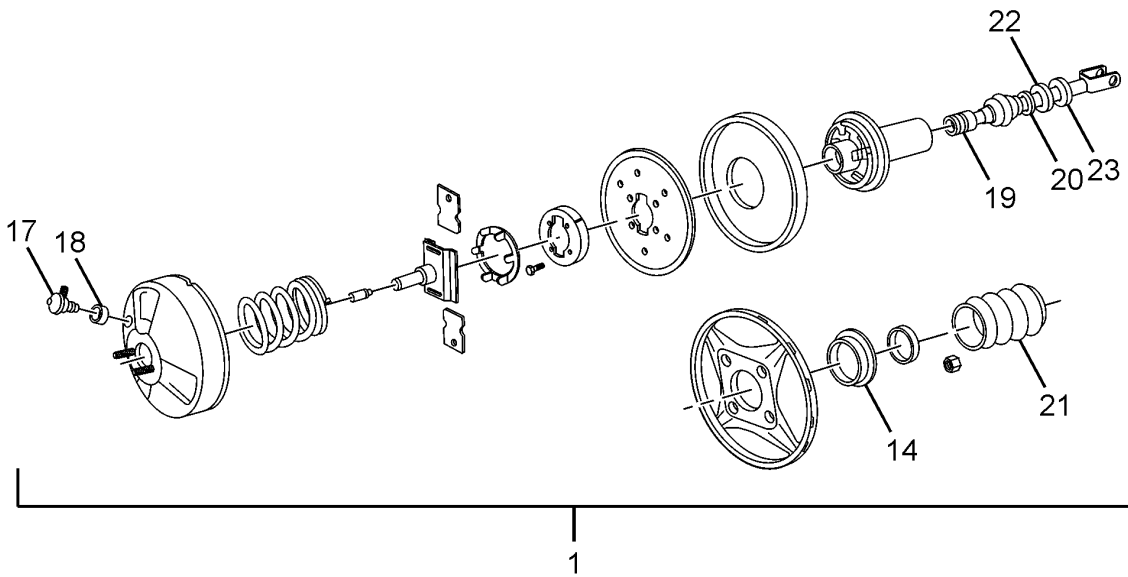
42.42.02		REAR WHEEL BRAKE (BRAKES INDIA)		GROUP 42
CHASSIS TYPE: ALL				
FIG. NO.	PART NUMBER	DESCRIPTION	QTY	REMARKS
1	271942300116	ASSY.REAR BRAKE-LH(2873 LINING AUTO ADJ)	1	
1	271942300117	ASSY.REAR BRAKE-RH(2873 LINING AUTO ADJ)	1	
		REPAIR KITS		
-	271942300123	LINING SET KIT (STD)(BI)	1	
		LINING(LEADING)	2	
		LINING(TRAILING)	2	
		RIVET	44	
-	271942300120	LINING SET KIT 1ST O/S (BI)	1	
		LINING(LEADING)	2	
		LINING(TRAILING)	2	
		RIVET	44	
-	265442300113	KIT SHOE HOLD DOWN (BI)	1	
4		PIN	2	
5		CUP WASHER	4	
6		SPRING	2	
-	271942300122	LINED SHOE KIT (STD) (BI)	1	
2		LINED SHOE ASSY-TRAILING	1	
3		LINED SHOE ASSY-LEADING	1	
-	271942300121	WHEEL CYL.ASSY.DIA.25.4	2	
-	271942300118	REPAIR KIT (MAJOR)FOR W.C.25.4 DIA. (BI)	1	
16		DUST COVER	2	
17		PISTON	2	
18		CUP SEAL	1	
21		DUST CAP	2	
24		SPRING ASSY.	2	
27		GREASE SACHET	1	
-	271942300119	REPAIR KIT (MINOR) FOR W.C.25.4DIA.(BI)	1	
16		DUST COVER	2	
18		CUP SEAL	1	
21		DUST CAP	2	
27		GREASE SACHET	1	

CHASSIS TYPE: ALL



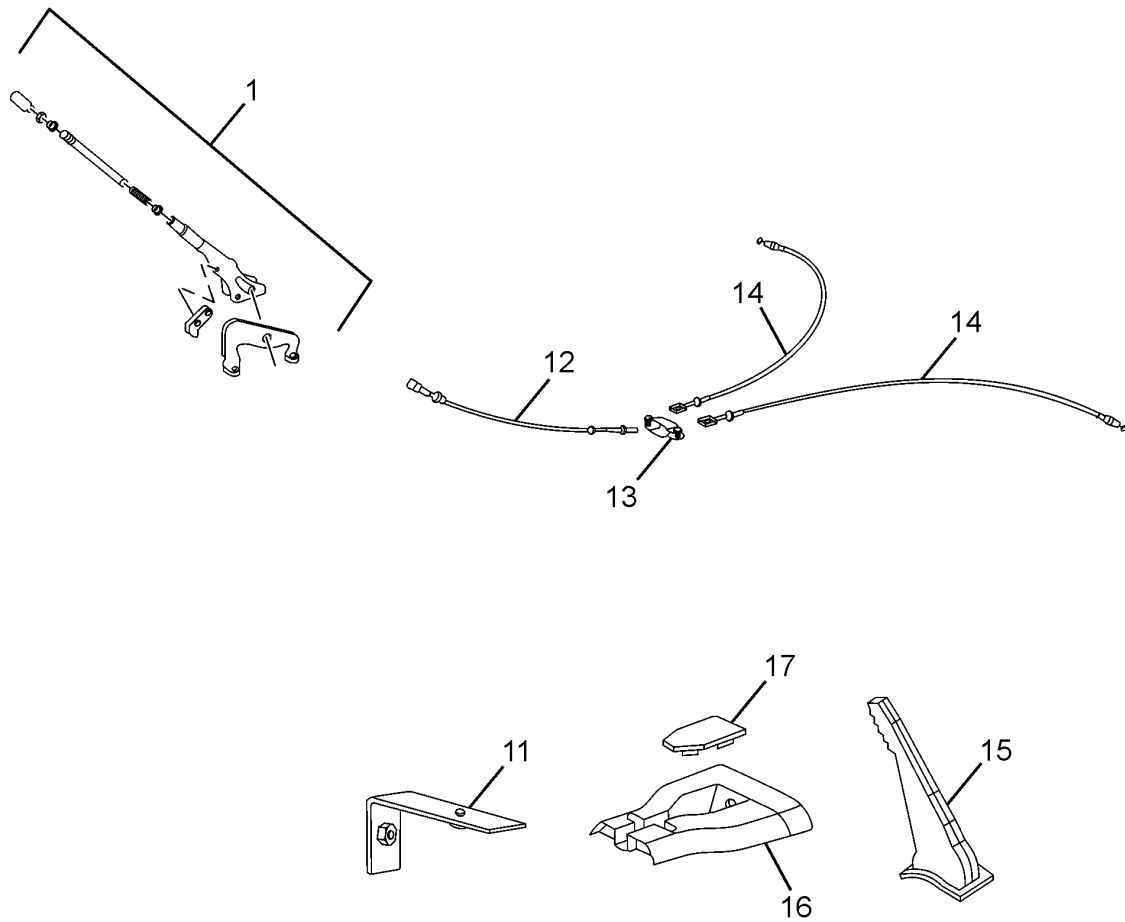
42.42.03		TANDEM MASTER CYLINDER(BRAKES INDIA)		GROUP 42
CHASSIS TYPE: ALL				
FIG. NO.	PART NUMBER	DESCRIPTION	QTY	REMARKS
1	283043100101	ASSY.TANDEM MASTER CYL.DIA 25.4	1	
2	269943100132	BRAKE FLUID RESERVOIR(BI)	1	
-	265443100132	REPAIR KIT(MAJOR)(FOR ALUMINIUM TMC)		
3		CIRCLIP	1	
4		BEARING RING	2	
5		PRIMARY BACK SEAL	2	
7		PRIMARY PLUNGER	1	
8		RECUPERATING SEAL	3	
9		SECONDARY PISTON	1	
10		SHIM	1	
11		SPRING RETAINER	1	
12		SECONDARY SPRING	1	
13		'O' RING	1	
14		ASSY.RESIDUAL PRESSURE VALVE	1	
15		GASKET	1	
16		STOP SCREW	1	
17		RUBBER WASHER	1	
18		SEAL	2	
19		GASKET	1	
20		GREASE TUBE	1	
-	265443100133	REPAIR KIT(MINOR)(FOR ALUMINIUM TMC)		
3		CIRCLIP	1	
5		PRIMARY BACK SEAL	2	
6		SPACER RING	1	
7		PRIMARY PLUNGER	1	
8		RECUPERATING SEAL	3	
10		SHIM	1	
13		'O' RING	1	
14		ASSY.RESIDUAL PRESSURE VALVE	1	
18		SEAL	2	
19		GASKET	1	
20		GREASE TUBE	1	

CHASSIS TYPE: ALL



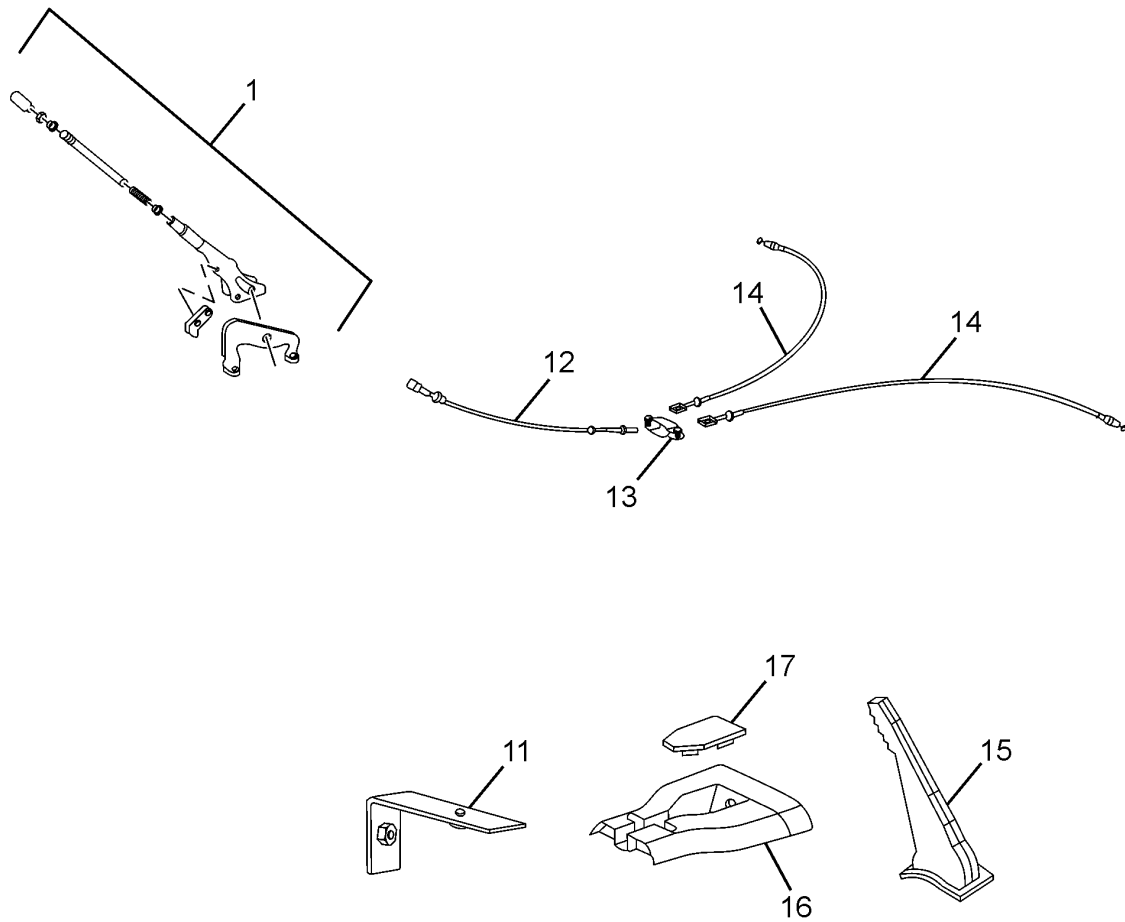
42.42.04		VACCUM BOOSTER		GROUP 42
CHASSIS TYPE: ALL				
FIG. NO.	PART NUMBER	DESCRIPTION	QTY	REMARKS
1	283043500105	ASSY. 9"+8" TENDEM BOOSTER	1	
		REPAIR KITS		
-	269943500106	REPAIR KIT (MAJOR)	1	
14		LIP SEAL	1	
17		NON-RETURN VALVE ASSY.	1	
18		RUBBER GROMMET	1	
19		SEALING RING	1	
20		OPERATING ROD ASSY.	1	
21		GAITER	1	
-	269943500107	REPAIR KIT (MINOR)	1	
21		GAITER	1	
22		FILTER	1	
23		FILTER	1	

CHASSIS TYPE: 374536; 374506



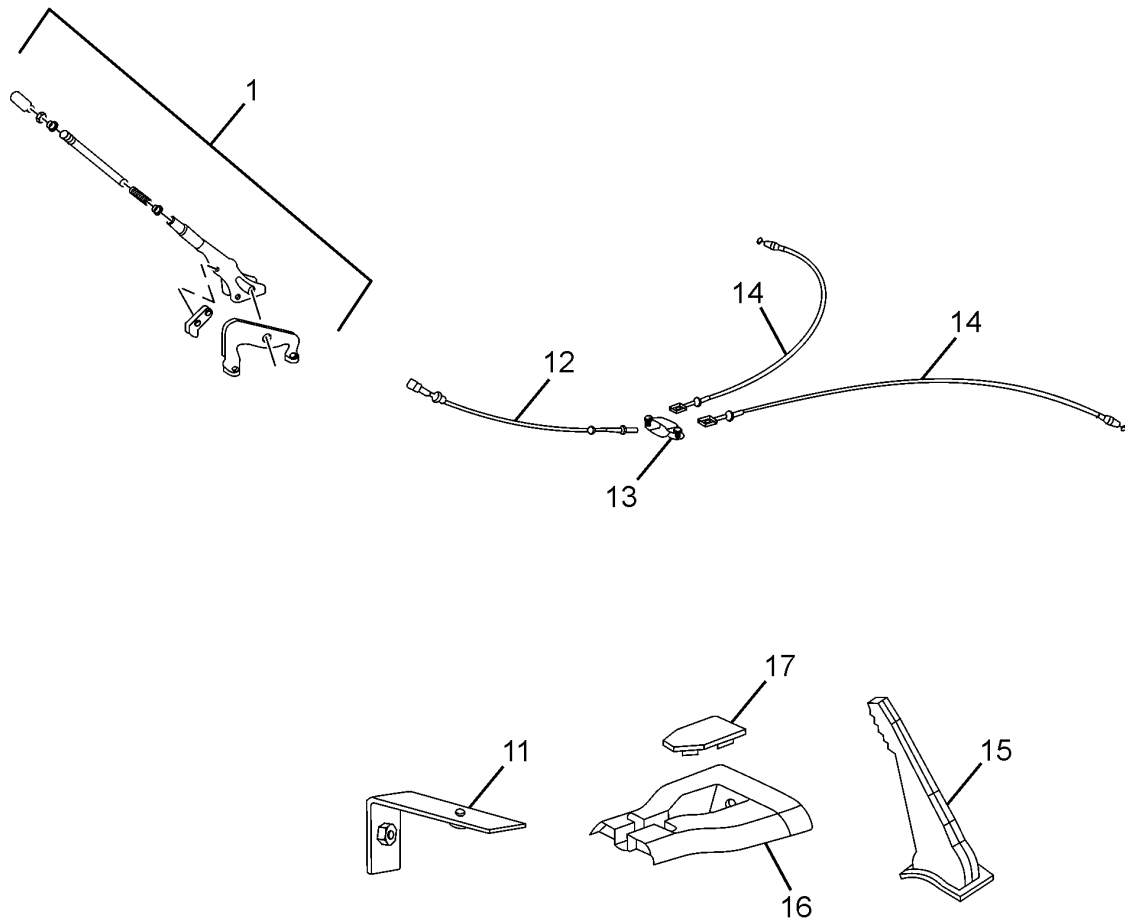
42.42.05A		PARKING BRAKE(CONSOLE MOUNTING)		GROUP 42
CHASSIS TYPE: 374536; 374506				
FIG. NO.	PART NUMBER	DESCRIPTION	QTY	REMARKS
1	269942700110	ASSY.PARKING BRAKE LEVER COMPLETE	1	
11	265842700147	ASSY.BRACKET	1	
12	265442700177	ASSY.PARKING CABLE FRONT	1	
13	265842708202	LINK	1	
14	265442700187	ASSY.PARKING BRAKE CABLE, REAR LH	1	
14	265442700186	ASSY.PARKING BRAKE CABLE, REAR RH	1	
15	265868900114	ASSY.COVER (DARK GREY) HAND BRAKE	1	
16	265868906326	COVER, HAND BRAKE CABLE	1	
17	265868906329	LID	1	

CHASSIS TYPE: 374557; 374558



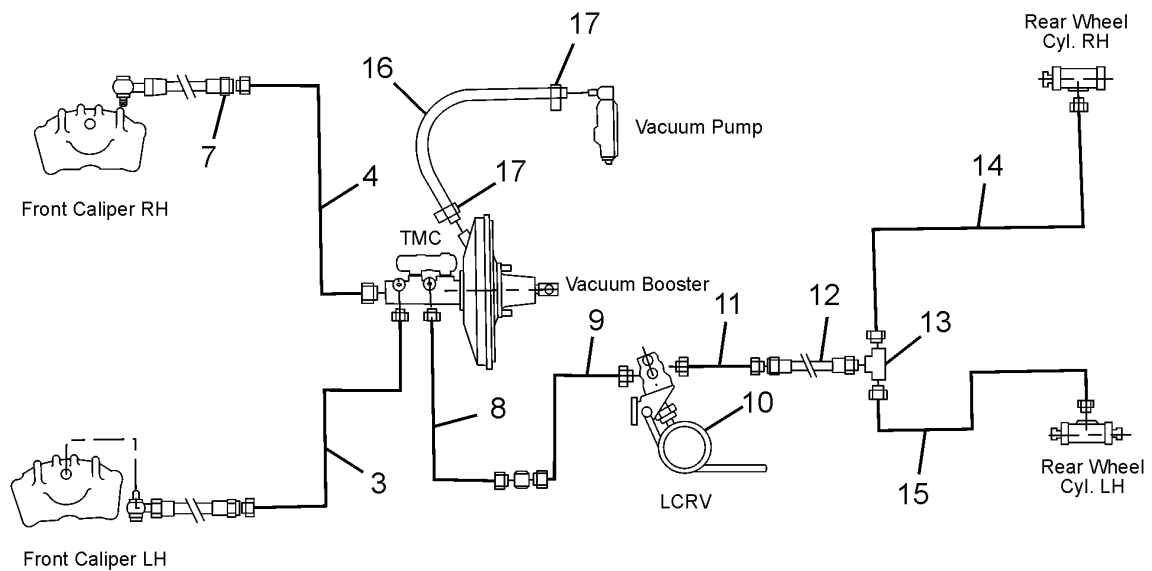
42.42.05B		PARKING BRAKE(CONSOLE MOUNTING)		GROUP 42
CHASSIS TYPE: 374557; 374558				
FIG. NO.	PART NUMBER	DESCRIPTION	QTY	REMARKS
1	269942700110	ASSY.PARKING BRAKE LEVER COMPLETE	1	
11	265842700147	ASSY.BRACKET	1	
12	265442700177	ASSY.PARKING CABLE FRONT	1	
13	265842708202	LINK	1	
14	270142700121	ASSY.PARKING BRAKE CABLE, REAR RH	1	
14	283042700104	ASSY.PARKING BRAKE CABLE, REAR LH	1	
15	265868900114	ASSY.COVER (DARK GREY) HAND BRAKE	1	
16	265868906326	COVER, HAND BRAKE CABLE	1	
17	265868906329	LID	1	

CHASSIS TYPE: 374508



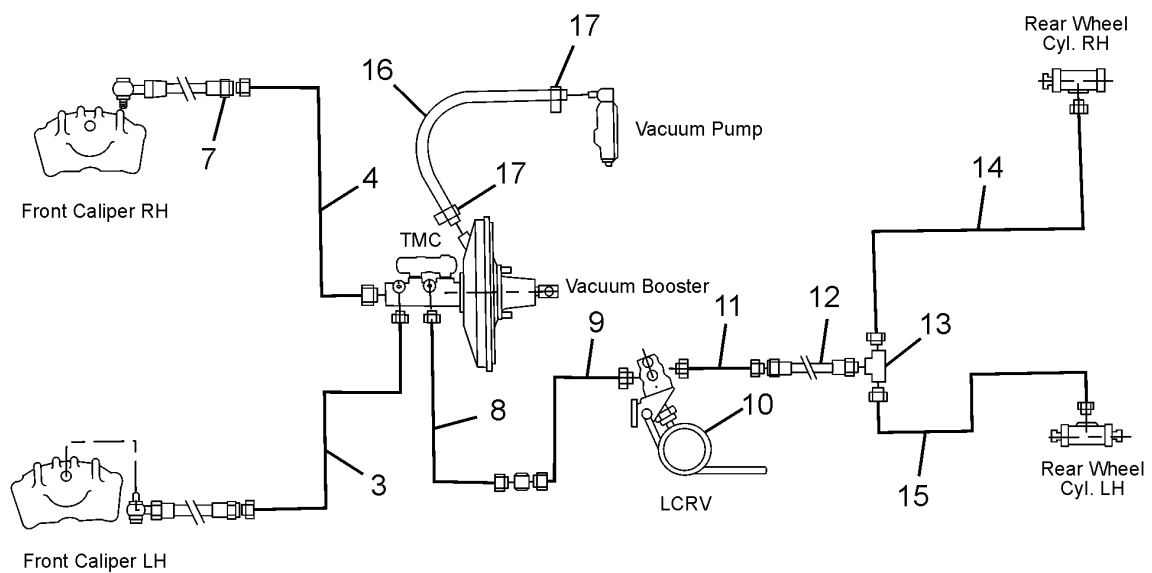
42.42.05C		PARKING BRAKE(CONSOLE MOUNTING)		GROUP 42
CHASSIS TYPE: 374508				
FIG. NO.	PART NUMBER	DESCRIPTION	QTY	REMARKS
1	269942700110	ASSY.PARKING BRAKE LEVER COMPLETE	1	
11	265842700147	ASSY.BRACKET	1	
12	265442700137	ASSY.PARKING CABLE FRONT	1	
13	265842708202	LINK	1	
14	270142700121	ASSY.PARKING BRAKE CABLE, REAR RH	1	
14	283042700104	ASSY.PARKING BRAKE CABLE, REAR LH	1	
15	265868900114	ASSY.COVER (DARK GREY) HAND BRAKE	1	
16	265868906326	COVER, HAND BRAKE CABLE	1	
17	265868906329	LID	1	

CHASSIS TYPE: 374536; 374506



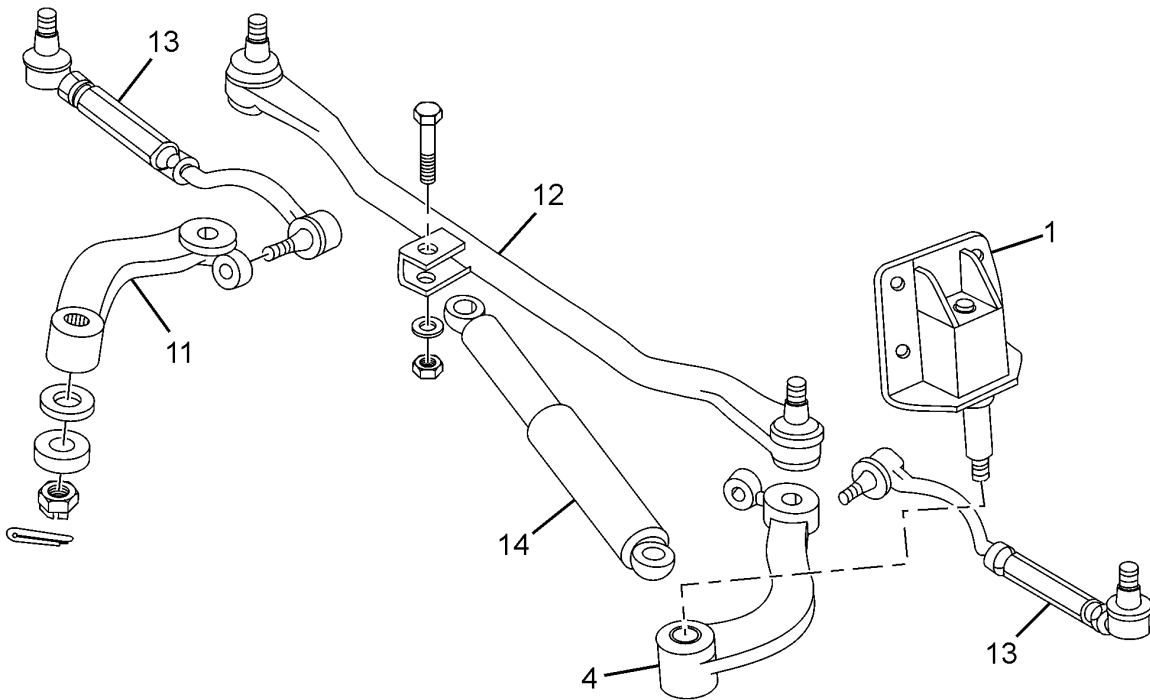
42.42.06A		HYDRAULIC BRAKE LINES LHD		GROUP 42
CHASSIS TYPE: 374536; 374506				
FIG. NO.	PART NUMBER	DESCRIPTION	QTY	REMARKS
		TMC TO FRONT BRAKE CALIPERS		
3	289643800113	ASSY.TUBE	1	
4	289643800112	ASSY.TUBE	1	
7	283042800107	ASSY. BRAKE HOSE FRONT	2	
		TMC TO REAR WHEEL CYLINDER		
8	289643800114	ASSY.TUBE	1	
-	265142806806	ADAPTER	1	
9	282643800111	ASSY.TUBE	1	
10	265442400103	L.C.R.V.-INDIGENOUS	1	
-	272142800111	ASSY.BRACKET (L.C.R.V.MTG.)	1	
11	272142800109	ASSY.TUBE	1	
12	265442800128	ASSY.HOSE (3.2 DIA.)	1	
13	265142806803	THREE WAY UNION	1	
14	272142800108	ASSY.TUBE-RH	1	
15	272142800107	ASSY.TUBE-LH	1	
		VACUUM PUMP TO VACUUM BOOSTER		
16	282643500101	ASSY.VACUUM HOSE	1	
17	14300512195	SPRING BAND CLAMP 19DX12W	2	

CHASSIS TYPE: 374508; 374557; 374558



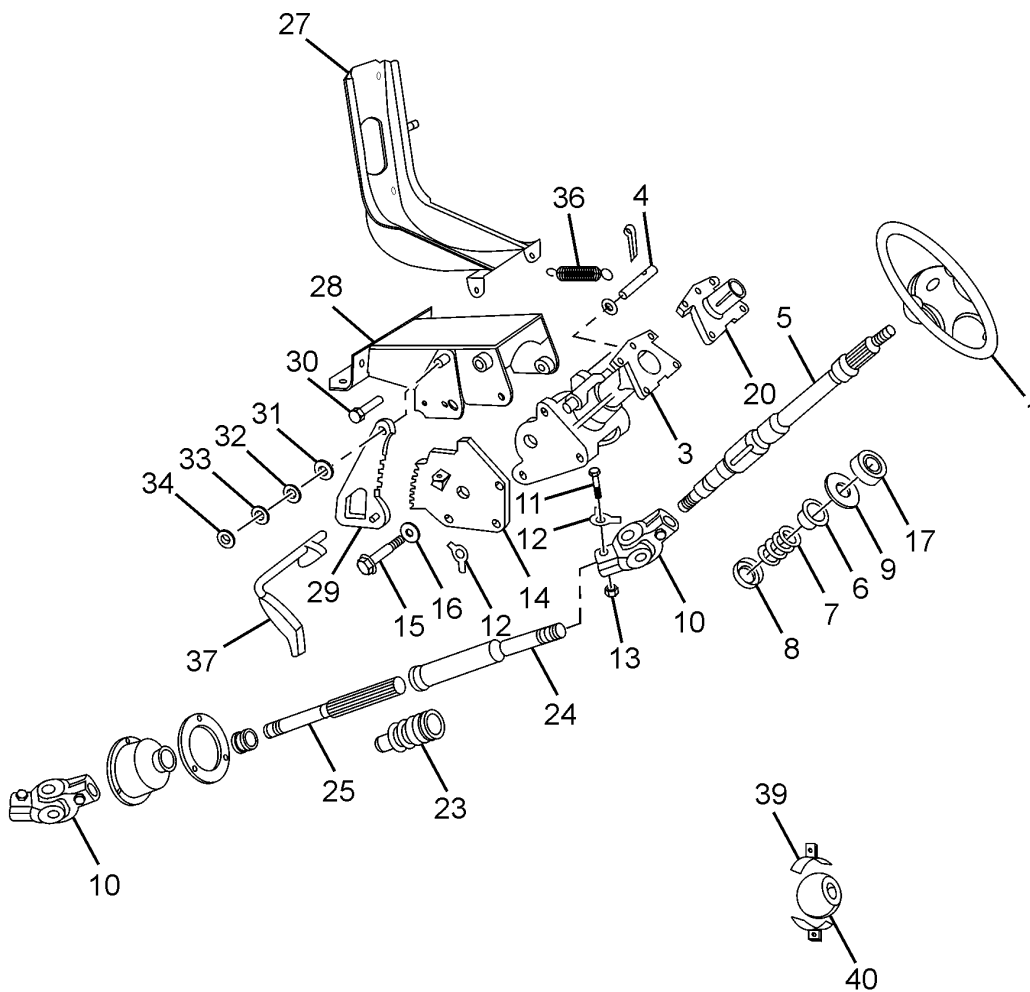
42.42.06B		HYDRAULIC BRAKE LINES LHD		GROUP 42
CHASSIS TYPE: 374508; 374557; 374558				
FIG. NO.	PART NUMBER	DESCRIPTION	QTY	REMARKS
		TMC TO FRONT BRAKE CALIPERS		
3	289643800113	ASSY.TUBE	1	
4	289643800112	ASSY.TUBE	1	
7	283042800107	ASSY. BRAKE HOSE FRONT	2	
		TMC TO REAR WHEEL CYLINDER		
8	289643800114	ASSY.TUBE	1	
-	265142806806	ADAPTER	1	
9	270142800166	ASSY.TUBE	1	
10	265442400103	L.C.R.V.-INDIGENOUS	1	
-	272142800111	ASSY.BRACKET (L.C.R.V.MTG.)	1	
11	272142800109	ASSY.TUBE	1	
12	265442800128	ASSY.HOSE (3.2 DIA.)	1	
13	265142806803	THREE WAY UNION	1	
14	272142800108	ASSY.TUBE-RH	1	
15	272142800107	ASSY.TUBE-LH	1	
		VACUUM PUMP TO VACUUM BOOSTER		
16	282643500101	ASSY.VACUUM HOSE	1	
17	14300512195	SPRING BAND CLAMP 19DX12W	2	

CHASSIS TYPE: ALL



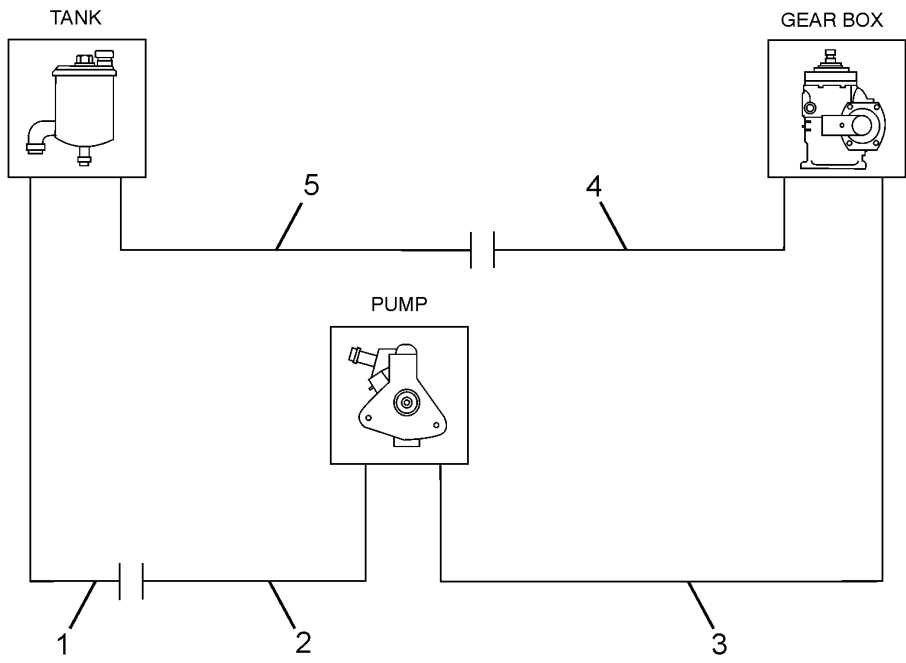
46.46.01		STEERING LINKAGES		GROUP 46
CHASSIS TYPE: ALL				
FIG. NO.	PART NUMBER	DESCRIPTION	QTY	REMARKS
1	269946300120	ASSY IDLER ARM BRACKET-LH-LHD	1	
4	269946300124	ASSY IDLER ARM WITH BUSH-LHD	1	
-	265446303415	BUSH (IDLER ARM)	1	
-	269946309210	THRUST WASHER (IDLER ARM)	1	
-	265446309201	THRUST WASHER (IDLER ARM)	1	
-	265446309202	WASHER (IDLER ARM)	1	
-	17061602216	OIL SEAL	2	
11	269946306002	PITMAN ARM LHD	1	
12	270446600102	ASSY CENTRE LINK	1	
13	269946600111	ASSY.TIE ROD RH	1	
13	269946600110	ASSY.TIE ROD LH	1	
14	270446600107	STEERING DAMPER(M/S HYDRAULICS 62605222)	1	
-		ASSY BALL JOINT - FOR TIE ROD LH		PART NO. WILL BE CONFIRMED LATER.
-		ASSY BALL JOINT - FOR TIE ROD LH		PART NO. WILL BE CONFIRMED LATER.

CHASSIS TYPE: ALL



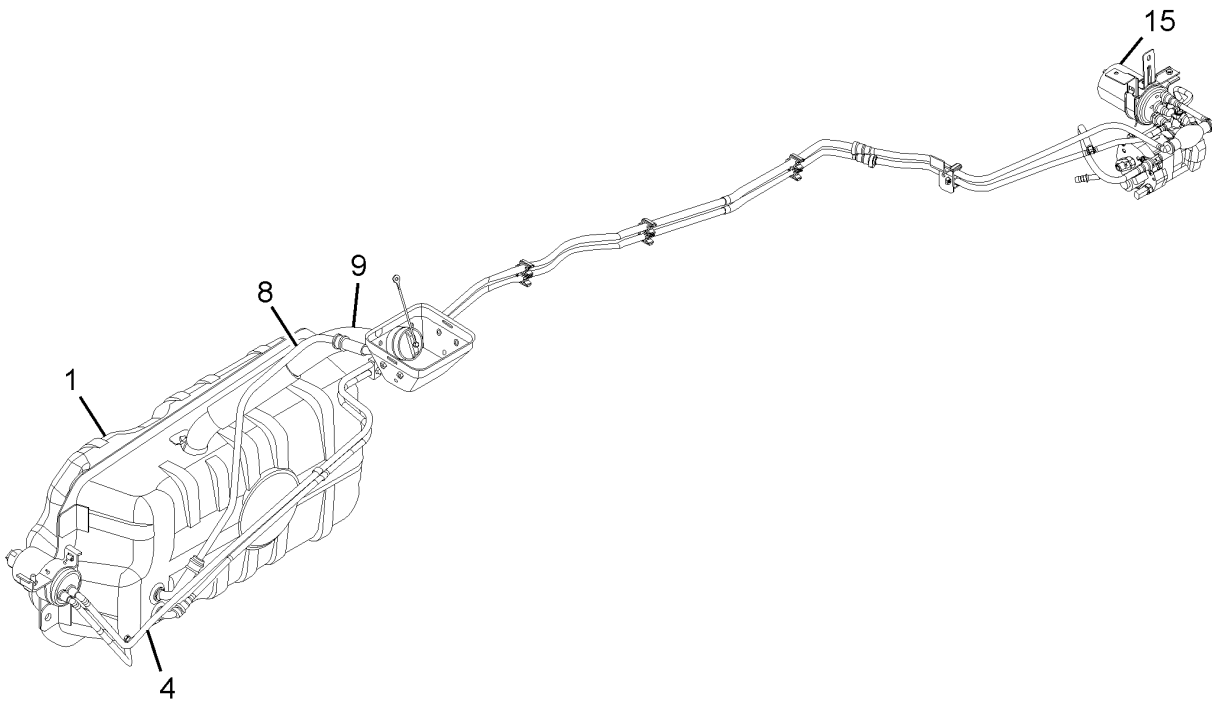
46.46.02		STEERING WHEEL AND MOUNTING		GROUP 46
CHASSIS TYPE: ALL				
FIG. NO.	PART NUMBER	DESCRIPTION	QTY	REMARKS
1	269846400108	ASSY STEERING WHEEL (380 DIA BLACK)	1	
3	265446100101	ASSY TILT STG COLUMN(FABRICATED SHUTHAM)	1	
4	265446206706	PIN (RETURN SPRING).	2	
5	265846200147	ASSY STEERING SPINDLE TOP	1	
6	265446209915	SPRING SEAT	1	
7	265446208711	COMPRESSION SPRING	1	
8	265446208278	SPRING SEAT CUP	1	
9	14580604201	INTERNAL CIRCLIP (42 X 1.75)	1	
10	265146600102	ASSY.UNIVERSAL JOINT	2	
-	265146603401	NEEDLE BUSH	4	
11	265446603201	BOLT.	2	
12	12580600849	TAB WASHER (8.4)	2	
13	12140500800	NYLOC NUT (M8)	2	
14	265446200162	ASSY.RATCHET.	1	
15	265446200137	BOLT WITH NYLON INSERT.	2	
16	265446209202	WASHER.	4	
17	264046203102	SRDG BEARING	1	
20	265846203504	BOSS(FOR M/S' SHUTHAM' COMBI SWITCH MTG.)	1	
23	265846206306	RUBBER BELLOW (SLEEVE / TOP).	1	
24	265446200184	ASSY STEERING SPINDLE SLEEVE(MIDDLE)	1	
25	265446207941	STEERING SPINDLE BOTTOM	1	
-	266046207905	STEERING SPINDLE(MIDDLE)	1	
27	265446200199	ASSY. STAY BRACKET (LHD)	1	
28	265946200124	ASSY.BRACKET (STG.COLUMN MTG.)	1	
29	265446210107	SUB-ASSY.PAWL (WITH BOSS).	1	
30	265446206704	PIN.	1	
31	14150701601	DISC SPRING B 16	1	
32	12460500841	BRIGHT WASHER 8.4	AR	
33	265446209203	WASHER(1.25 MM THICK)	AR	
34	14550800706	CIRCLIP (E 7.0 X 0.9)	1	
-	265446206315	BUSH (CAM PIVOT)	1	
36	265446208704	TENSION SPRING.	3	
37	265446200191	ASSY.HANDLE.	1	
39	266046208204	BRACKET	1	
40	266046203102	SPHERICAL SUPPORT (STEERING SPINDLE)	1	

CHASSIS TYPE: ALL



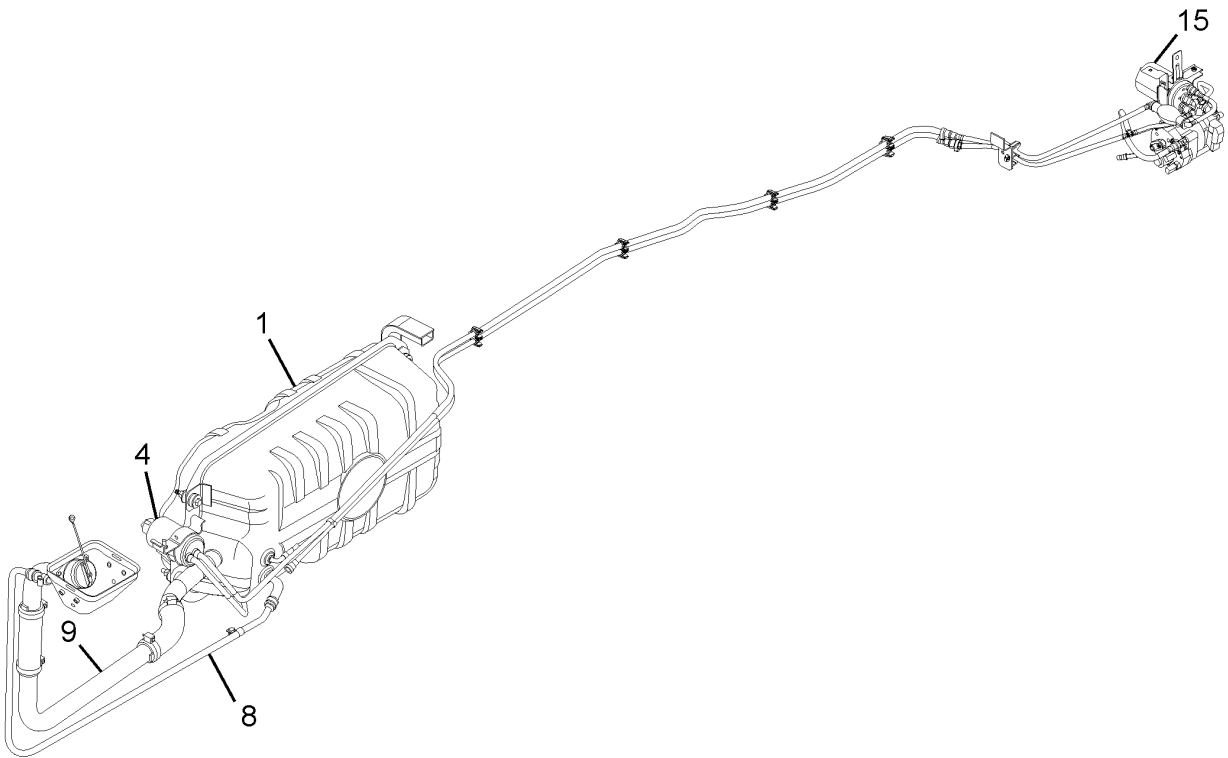
46.46.03		POWER STEERING PIPE LINES LHD		GROUP 46	
CHASSIS TYPE: ALL					
FIG. NO.	PART NUMBER	DESCRIPTION	QTY	REMARKS	
1	272146800120	TANK TO PUMP ASSY.SUCTION LINE (RESERVOIR TO PUMP)	1		
2	272146800123	ASSY SUCTION LINE (RESERVOIR TO PUMP)	1		
3	272146800121	PUMP TO GEAR BOX ASSY.HIGH PRESSURE LINE (PUMP TO G/BOX.)	1		
4	272146800124	GEAR BOX TO TANK ASSY.RETURN LINE (G/BOX.TO RESERVOIR)	1		
5	272146800122	ASSY.RETURN LINE (G/BOX.TO RESERVOIR)	1		

CHASSIS TYPE: 374536; 374506



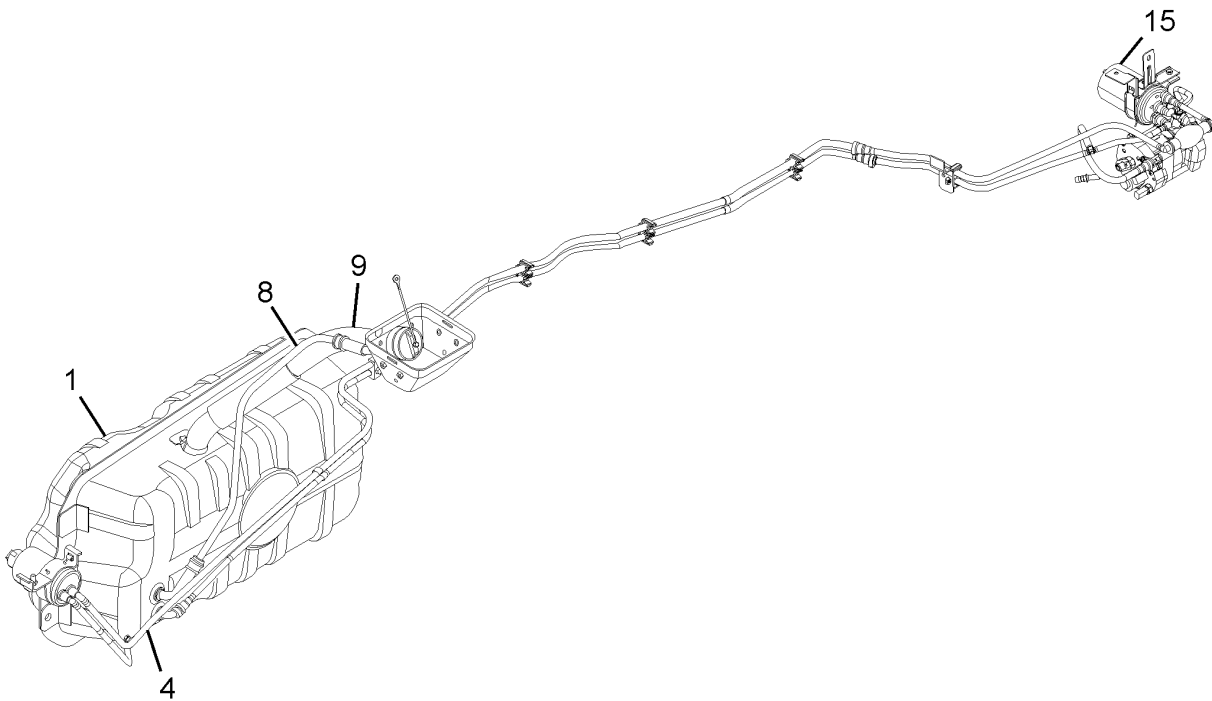
47.47.01		FUEL SYSTEM-SINGLE CAB		GROUP 47
CHASSIS TYPE: 374536; 374506				
FIG. NO.	PART NUMBER	DESCRIPTION	QTY	REMARKS
1	282647100112	ASSY.FUEL TANK (COMPLETE) SINGLE CAB	1	
-	282047100101	ASSY.FUEL TANK CAP (PLASTIC)	1	OPTIONAL
-	269847100120	ASSY.FUEL TANK CAP COMPLETE (DISEL)	1	OPTIONAL
4	265847100109	ASSY.SUCTION TUBE WITH SCREEN FILTER	1	
-	265954209963	TANK UNIT (FOR FUEL TANK)	1	
-	17050501248	O RING 31.5X2.65	1	
-	265947100111	ASSY.RUBBER BUSH	8	
8	282647100109	ASSY.FILLER NECK TOP WITH BRACKET	1	
9	270147107708	RUBBER HOSE (FUEL FILLING)	1	
-	282647600127	ASSY.BREATHER HOSE	1	
-	254715134202	HOSE CLAMP (23 DIA.)	2	
-	283047600137	ASSY.FUEL LINE ON ENGINE	1	
-	282647600129	ASSY.FUEL LINE ON CHASSIS	1	
-	283047600139	ASSY.DELIVERY LINE (TANK TO SEDIMENTOR)	1	
-	282647600125	ASSY.DELIVERY LINE(SEDIMENTOR TO FIREWAL	1	
-	289647600109	ASSY.RETURN LINE(FIREWALL TO FUEL TANK)	1	
-	288847607701	FUEL LINE CLAMP (PIPE 12.5 X 10.0)	1	
15	279709110103	ASSY.SEDIMENTOR (DELPHI)	+	
-	269947600157	ASSY.STRAP (SEDIMENTOR MOUNTING)	1	
-	265847107716	RUBBER PACKING	1	

CHASSIS TYPE: 374557; 374558



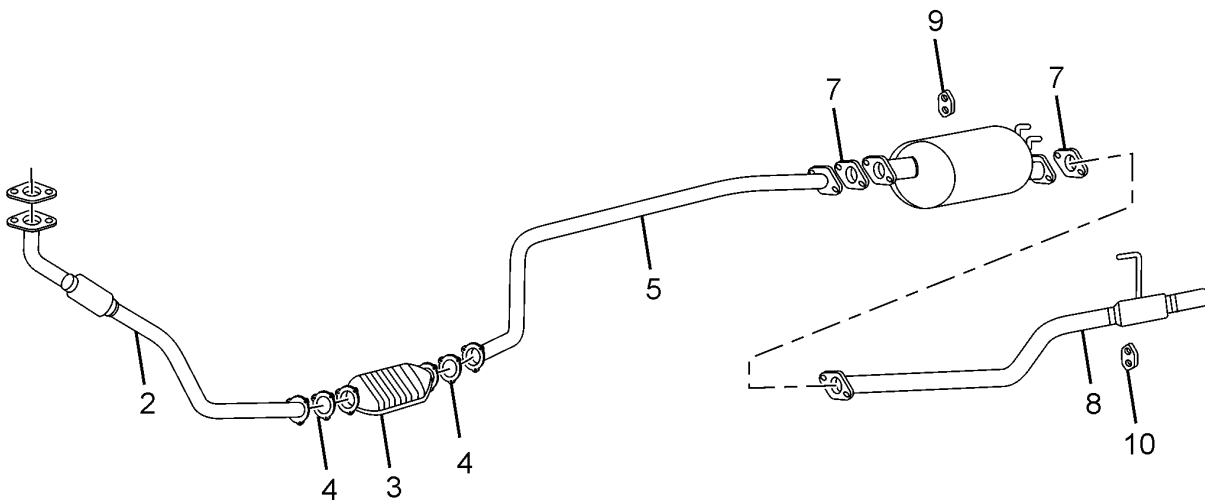
47.47.02		FUEL SYSTEM-CREW CAB		GROUP 47	
CHASSIS TYPE: 374557; 374558					
FIG. NO.	PART NUMBER	DESCRIPTION	QTY	REMARKS	
1	283047100117	ASSY.FUEL TANK (COMPLETE)CREW CAB	1		
-	282047100101	ASSY.FUEL TANK CAP (PLASTIC)	1	- OPTIONAL	
-	269847100120	ASSY.FUEL TANK CAP COMPLETE (DISEL)	1	- OPTIONAL	
4	265847100109	ASSY.SUCTION TUBE WITH SCREEN FILTER	1		
-	265954209963	TANK UNIT (FOR FUEL TANK)	1		
-	17050501248	O RING 31.5 X 2.65	1		
-	265947100111	ASSY.RUBBER BUSH	8		
8	272147100107	ASSY.FILLER NECK TOP (+BKT)FOR PLAS CAP	1	- OPTIONAL	
8	272147100108	ASSY.FILLER NECK TOP (+BKT)FOR METAL CAP	1	- OPTIONAL	
9	270147100131	ASSY.PIPE (FUEL FILLING)	1		
-	270147107707	RUBBER HOSE (FUEL FILLING)	1		
-	270147107708	RUBBER HOSE (FUEL FILLING)	1		
-	283047600102	ASSY.BREATHER HOSE	1		
-	254715134202	HOSE CLAMP (23 DIA.)	2		
-	283047600137	ASSY.FUEL LINE ON ENGINE	1		
-	283047600138	ASSY.FUEL LINE ON CHASSIS	1		
-	283047600139	ASSY.DELIVERY LINE (TANK TO SEDIMENTOR)	1		
-	283047600132	ASSY.DELIVERY LINE(SEDIMENTOR TOFIREWALL	1		
-	283047600140	ASSY.RETURN LINE (FIREWALL TO FUEL TANK)	1		
15	279709110103	ASSY.SEDIMENTOR (DELPHI)	1		
-	269947600157	ASSY.STRAP (SEDIMENTOR MOUNTING)	1		
-	265847107716	RUBBER PACKING	1		

CHASSIS TYPE: 374508



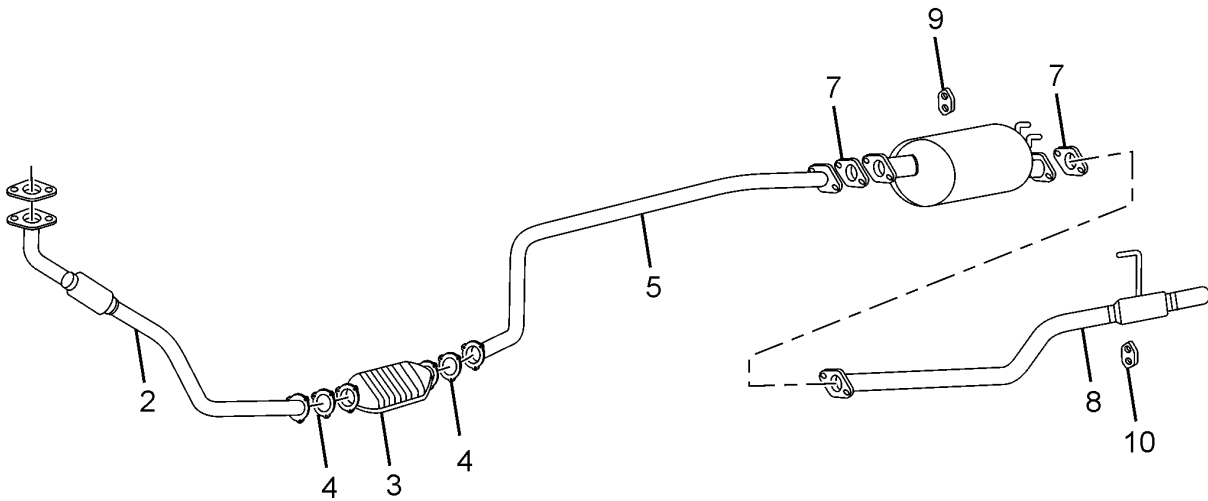
47.47.03		FUEL SYSTEM-SINGLE CAB		GROUP 47	
CHASSIS TYPE: 374508					
FIG. NO.	PART NUMBER	DESCRIPTION	QTY	REMARKS	
1	282647100112	ASSY.FUEL TANK (COMPLETE) SINGLE CAB	1		
-	282047100101	ASSY.FUEL TANK CAP (PLASTIC)	1	OPTIONAL	
-	269847100120	ASSY.FUEL TANK CAP COMPLETE (DISEL)	1	OPTIONAL	
4	265847100109	ASSY.SUCTION TUBE WITH SCREEN FILTER	1		
-	265954209963	TANK UNIT (FOR FUEL TANK)	1		
-	17050501248	O RING 31.5X2.65	1		
-	265947100111	ASSY.RUBBER BUSH	8		
8	282647100109	ASSY.FILLER NECK TOP WITH BRACKET	1		
9	270147107708	RUBBER HOSE (FUEL FILLING)	1		
-	282647100114	ASSY. TUBE(FILLER NECK SUPPORT)	1		
-	282647600127	ASSY.BREATHER HOSE	1		
-	254715134202	HOSE CLAMP (23 DIA.)	2		
-	283047600137	ASSY.FUEL LINE ON ENGINE	1		
-	283047600138	ASSY.FUEL LINE ON CHASSIS	1		
-	283047600139	ASSY.DELIVERY LINE (TANK TO SEDIMENTOR)	1		
-	282647600125	ASSY.DELIVERY LINE(SEDIMENTOR TO FIREWAL	1		
-	289647600109	ASSY.RETURN LINE(FIREWALL TO FUEL TANK)	1		
-	288847607701	FUEL LINE CLAMP (PIPE 12.5 X 10.0)	1		
15	279709110103	ASSY.SEDIMENTOR (DELPHI)	1		
-	269947600157	ASSY.STRAP (SEDIMENTOR MOUNTING)	1		
-	265847107716	RUBBER PACKING	1		

CHASSIS TYPE: 374536; 374508; 374506



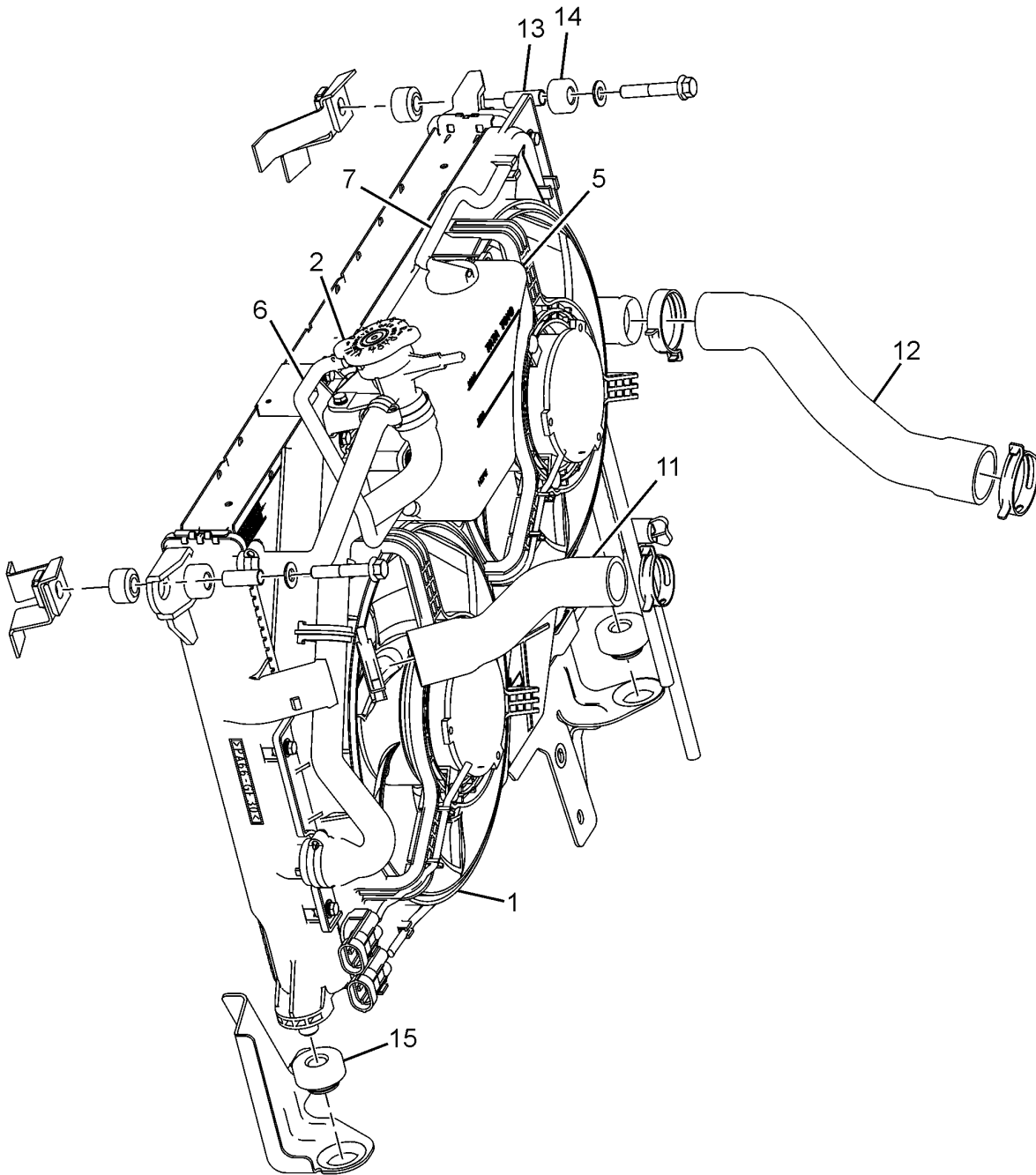
49.49.01A		EXHAUST SYSTEM		GROUP 49	
CHASSIS TYPE: 374536; 374508; 374506					
FIG. NO.	PART NUMBER	DESCRIPTION	QTY	REMARKS	
1	269949205301	GASKET	1		
2	283049200118	ASSY.FRONT PIPE(WITH FLEXIBLE BELOW)	1		
3	283049100108	ASSY CAT CONVERTOR COMP.	1		
4	265849205305	GASKET	2		
5	283049200121	ASSY,EXHAUST PIPE(INTERMEDIATE)	1		
6	283049100107	ASSY. SILENSER COMPLETE	1		
7	269949200183	ASSY GASKET(EXHAUST PIPE)	2		
8	283049200115	ASSY TAIL PIPE & POST SILENCER	1		
9	269849207702	RUBBER HANGER (EXHAUST)	3		
10	269949107702	RUBBER HANGER	2		

CHASSIS TYPE: 374557; 374558



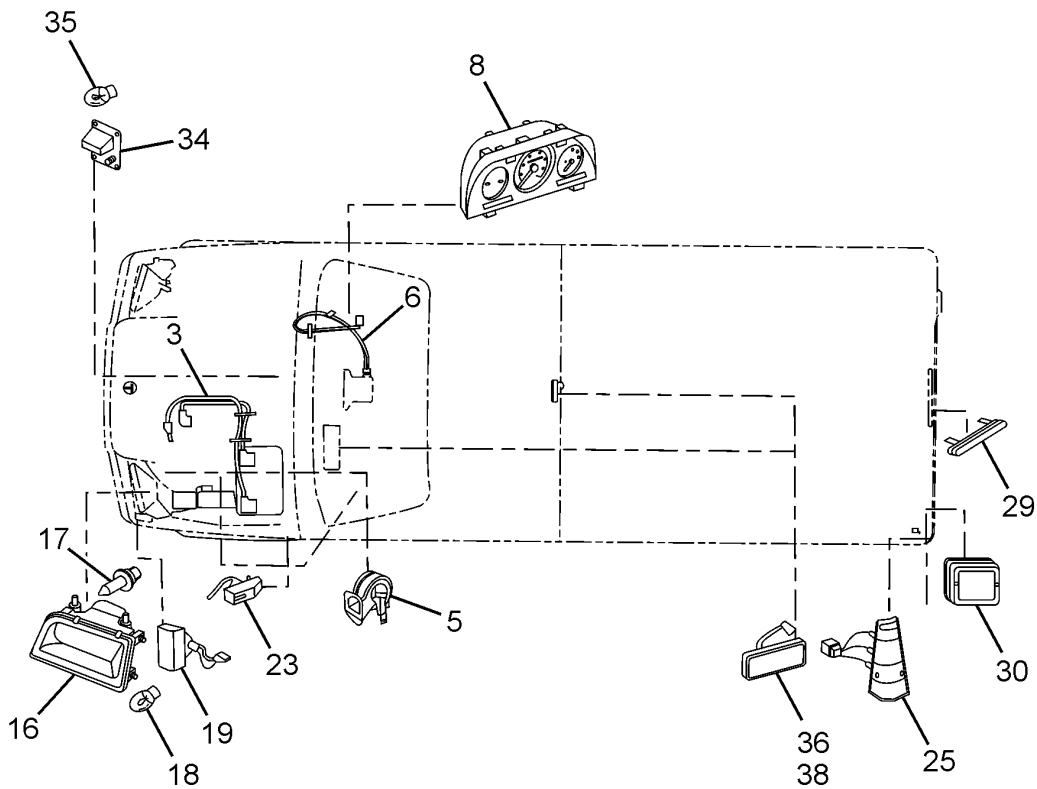
49.49.01B		EXHAUST SYSTEM		GROUP 49	
CHASSIS TYPE: 374557; 374558					
FIG. NO.	PART NUMBER	DESCRIPTION	QTY	REMARKS	
1	269949205301	GASKET	1		
2	283049200118	ASSY.FRONT PIPE(WITH FLEXIBLE BELOW)	1		
3	283049100108	ASSY CAT CONVERTOR COMP.	1		
4	265849205305	GASKET	2		
5	283049200119	ASSY EXHAUST PIPE (INTERMEDIATE)	1		
6	283049100107	ASSY. SILENSER COMPLETE	1		
7	269949200183	ASSY GASKET(EXHAUST PIPE)	2		
8	283049200115	ASSY TAIL PIPE & POST SILENCER	1		
9	269849207702	RUBBER HANGER (EXHAUST)	3		
10	269949107702	RUBBER HANGER	2		

CHASSIS TYPE: ALL



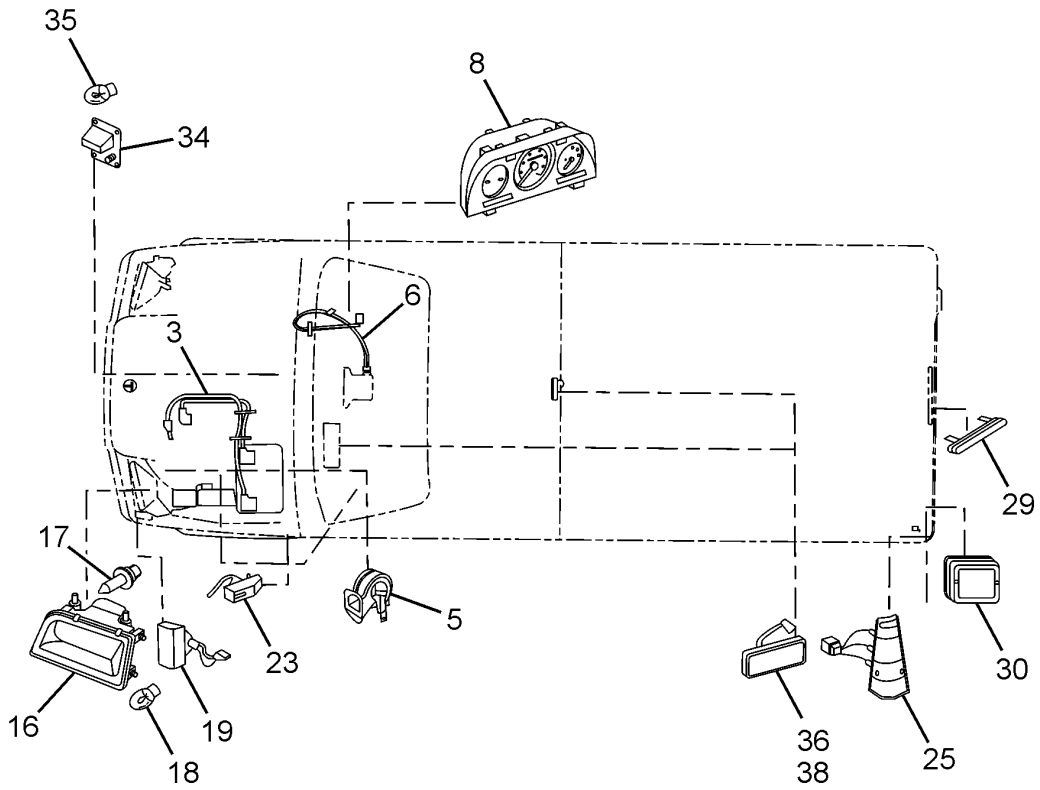
50.50.01		RADIATOR ASSEMBLY		GROUP 50
CHASSIS TYPE: ALL				
FIG. NO.	PART NUMBER	DESCRIPTION	QTY	REMARKS
1	278950100109	ASSY,RADIATOR WITH FAN SHROUD(TATA TOYO)	1	
2	254750100111	PRESSURE CAP	1	
-	279050109902	DRAIN PLUG WITH WASHER(TOYO)	1	
-	278950500101	ASSY,FAN SHROUD	1	
5	278950100103	ASSY,RECOVERY BOTTLE	1	
6	278950106901	VENT TUBE-RADIATOR CAP TO RECOVERY BOTTL	1	
7	278950106902	OVERFLOW TUBE-RECOVERY BOTTLE	1	
-	278950106903	DRAIN COCK FLOW TUBE	1	
-	278950105807	FILL HOSE RAD	1	
-	278950105808	RAD VENT HOSE	1	
11	278950105805	HOSE,UPPER COOLING PIPE TO RADIATOR	1	
12	278950105806	HOSE,RADIATOR TO THERMOSTAT HSG	1	
-	278950105810	VENT HOE(EGR COOLER)	1	
13	278950106904	SLEEVE(RADIATOR TOP MNT)	2	
14	278950107502	RUBBER GROMMET(RADIATOR TOP MOUNTING)	4	
15	278950107503	RUBBER GROMMET(RADIATOR BOTTOM MOUNTING)	2	

CHASSIS TYPE: 374508; 374506



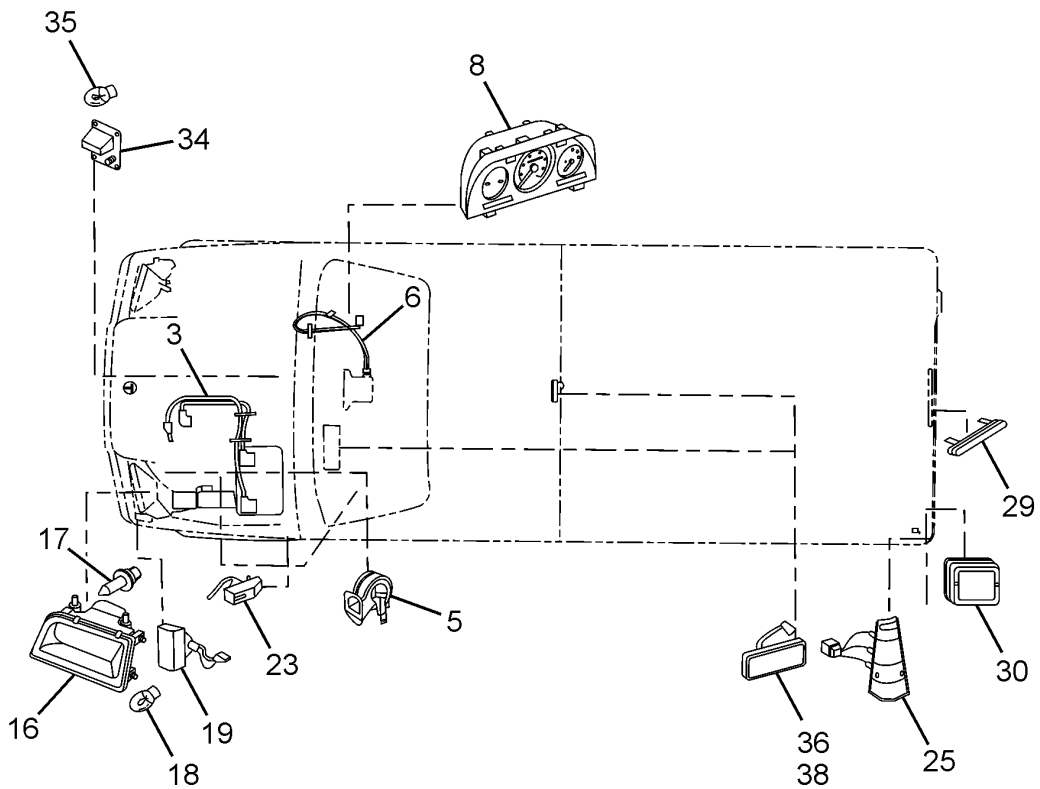
54.54.01A		ELECTRICAL EQUIPMENT-1		GROUP 54	
CHASSIS TYPE: 374508; 374506					
FIG. NO.	PART NUMBER	DESCRIPTION	QTY	REMARKS	
3	289454100107	ASSY.+VE BATTERY CABLE LHD 2.2L DICOR	1		
3	282654100104	BATT.CABLE -VE	1		
3	282654100105	BATT.CABLE -VE [CLUTCH HSG-FLOOR]	1		
5	265454209988	HORN, CLEAR HIGH TONE 'E' MARK 12V	1		
5	265454209989	HORN, CLEAR LOW TONE 'E' MARK 12V	1		
6	265454209987	SPEEDOCABLE 1100 MM LONG	1		
8	282654200116	ASSY.INST.CLUSTER 1:0.812 WITH TRIP ODO	1		
-	272154209905	SPEEDOMETER	1		
-	272154209906	ASSY.FUEL GAUGE + TEMP. GAUGE	1		
-	272154209908	ASSY. R.P.M.(4X2)	1		
-	269854506303	DUMMY PIANO SWITCH COVER	3		
16	272154400102	ASSY.HEAD LAMP RH - LHD	1		
16	272154400101	ASSY.HEAD LAMP LH - LHD	1		
17	62120601011	HALOGEN BULB, HEAD LAMP 60/55 W 12V 'E'	2		
18	62120601119	PARKING BULB, HEAD LAMP 14W 12V 'E' CERT	2		
19	265954410135	ASSY.BLINKER LAMP W/'E' MARK BULB, 12V '	1		
19	265954410136	ASSY.BLINKER LAMP W/'E' MARK BULB, 12V '	1		
-	265454409912	BULB,BLINKER 21W 12V 'E' CERT.	2		
23	265454420140	ASSY.SIDE INDICATOR LAMP LH (MSSL CONN.)	1		
23	265454420141	ASSY.SIDE INDICATOR LAMP RH (MSSL CONN.)	1		
-	265454409916	BULB,SIDE INDICATOR LAMP 12V 5W W10/5 'E	2		
25	265454420110	ASSY.TAIL LAMP LH (MSSL CONN.)	1		
25	265454420111	ASSY.TAIL LAMP RH (MSSL CONN.)	1		
-	62120601216	BULB 12V 21W BA 15 S	6		
-	265454409914	BULB 12V 10W BA 15 S	2		
29	265454410103	REGISTRATION PLATE LAMP 12V	1		
-	265454409914	BULB 12V 10W BA 15 S	2		
30	282654400101	REAR FOG LAMP	1		
-	62120601216	LAMP, 12V 21W BA 15S	1		

CHASSIS TYPE: 374508; 374506



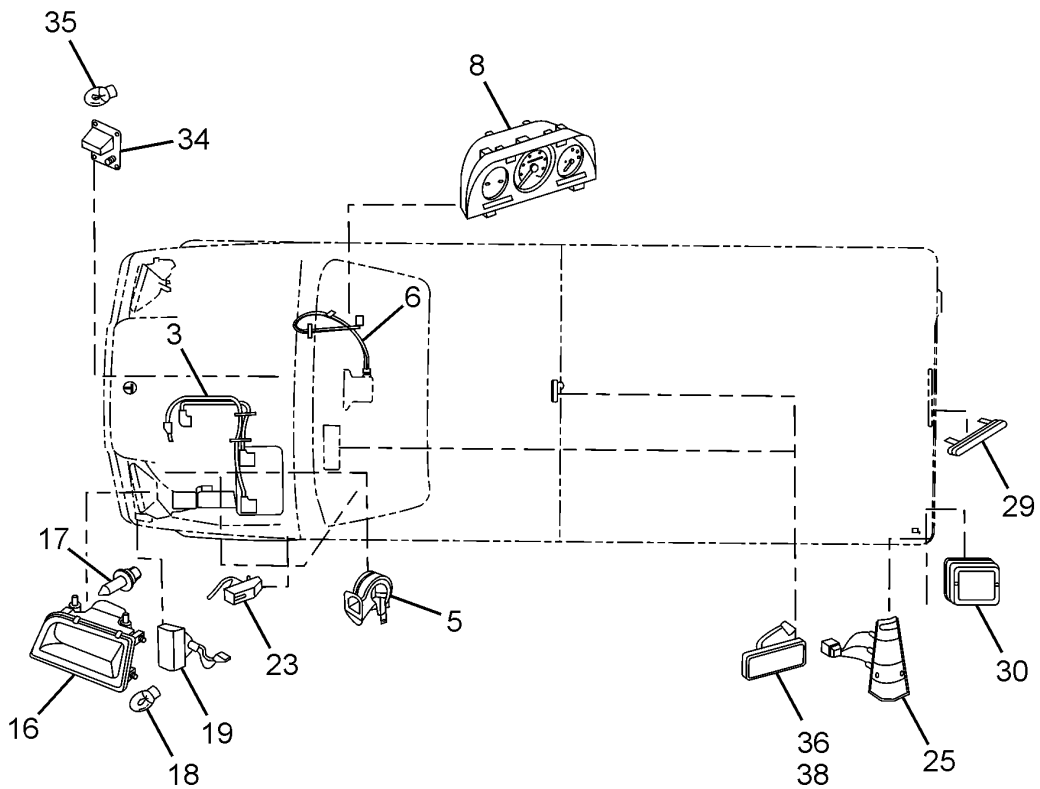
54.54.01A		ELECTRICAL EQUIPMENT-1		GROUP 54	
CHASSIS TYPE: 374508; 374506					
FIG. NO.	PART NUMBER	DESCRIPTION	QTY	REMARKS	
-	265454407503	RUBBER GASKET (FOR REAR FOG LAMP)	1		
34	269954400140	ASS.ENGINE LAMP	1		
35	62120601216	LAMP, 12V 21W BA 15S	1		
36	265454420196	ASSY.ROOF LAMP W/'E' MARK BULB	1		
-	62120515107	BULB, 12V 10W	1		
38	265454420181	ASSY.READING LAMP W/'E' MARK BULB	1		
-	62120515107	BULB, 12V 10W	1		
-	265454420191	ASSY.TRAILER LAMP	1		
-	282654500105	ASSY BONNET SWITCH HOLDER	1		
-	284254509917	HOOD (BONNET) SWITCH	1		
-	267881106306	REFLEX REFLECTOR (DOOR)	2		

CHASSIS TYPE: 374558



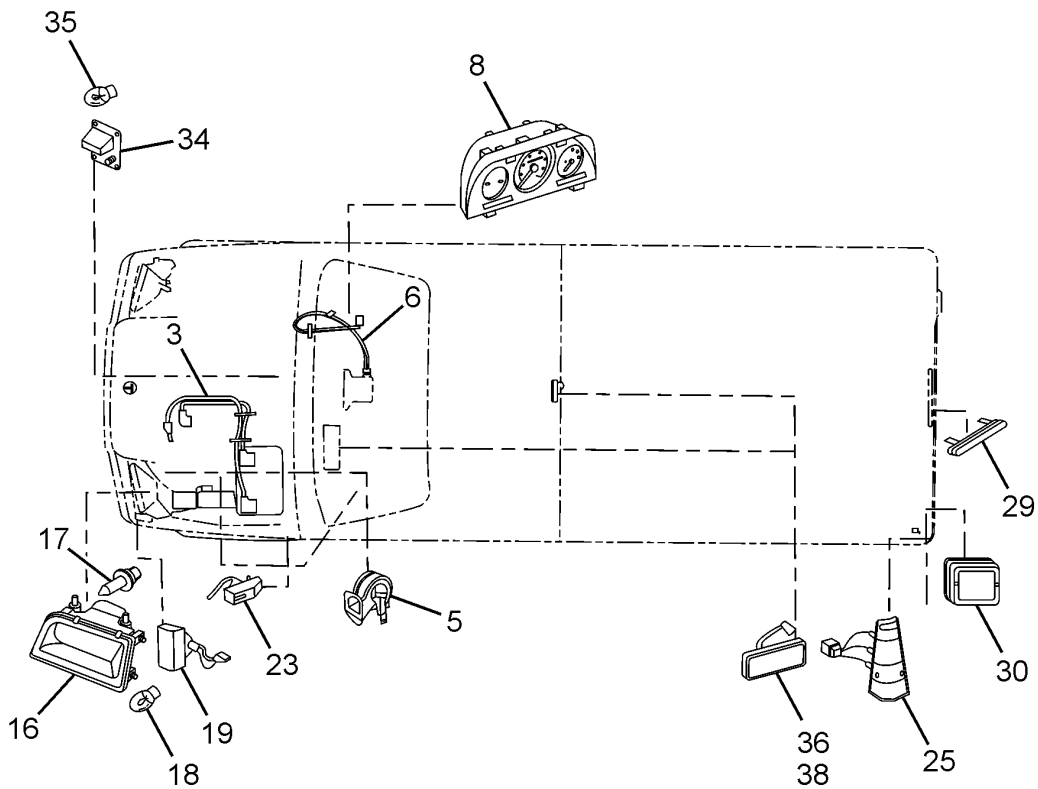
54.54.01B		ELECTRICAL EQUIPMENT-1		GROUP 54	
CHASSIS TYPE: 374558					
FIG. NO.	PART NUMBER	DESCRIPTION	QTY	REMARKS	
3	289454100107	ASSY.+VE BATTERY CABLE LHD 2.2L DICOR	1		
3	282654100104	BATT.CABLE -VE	1		
3	282654100105	BATT.CABLE -VE [CLUTCH HSG-FLOOR]	1		
5	265454209988	HORN, CLEAR HIGH TONE 'E' MARK 12V	1		
5	265454209989	HORN, CLEAR LOW TONE 'E' MARK 12V	1		
6	269854209935	SPEEDOCABLE 1900 MM LONG	1		
8	282654200116	ASSY.INST.CLUSTER 1:0.812 WITH TRIP ODO	1		
-	272154209905	SPEEDOMETER	1		
-	272154209906	ASSY.FUEL GAUGE + TEMP. GAUGE	1		
-	272154209908	ASSY. R.P.M.(4X2)	1		
-	269854506303	DUMMY PIANO SWITCH COVER	3		
16	272154400102	ASSY.HEAD LAMP RH - LHD	1		
16	272154400101	ASSY.HEAD LAMP LH - LHD	1		
17	62120601011	HALOGEN BULB, HEAD LAMP 60/55 W 12V 'E'	2		
18	62120601119	PARKING BULB, HEAD LAMP 14W 12V 'E' CERT	2		
19	265954410135	ASSY.BLINKER LAMP W/'E' MARK BULB, 12V '	1		
19	265954410136	ASSY.BLINKER LAMP W/'E' MARK BULB, 12V '	1		
-	265454409912	BULB,BLINKER 21W 12V 'E' CERT.	2		
23	265454420140	ASSY.SIDE INDICATOR LAMP LH (MSSL CONN.)	1		
23	265454420141	ASSY.SIDE INDICATOR LAMP RH (MSSL CONN.)	1		
-	265454409916	BULB,SIDE INDICATOR LAMP 12V 5W W10/5 'E	2		
25	265454420110	ASSY.TAIL LAMP LH (MSSL CONN.)	1		
25	265454420111	ASSY.TAIL LAMP RH (MSSL CONN.)	1		
-	62120601216	BULB 12V 21W BA 15 S	6		
-	265454409914	BULB 12V 10W BA 15 S	2		
29	265454410103	REGISTRATION PLATE LAMP 12V	1		
-	265454409914	BULB 12V 10W BA 15 S	2		
30	282654400101	REAR FOG LAMP	1		
-	62120601216	LAMP, 12V 21W BA 15S	1		

CHASSIS TYPE: 374558



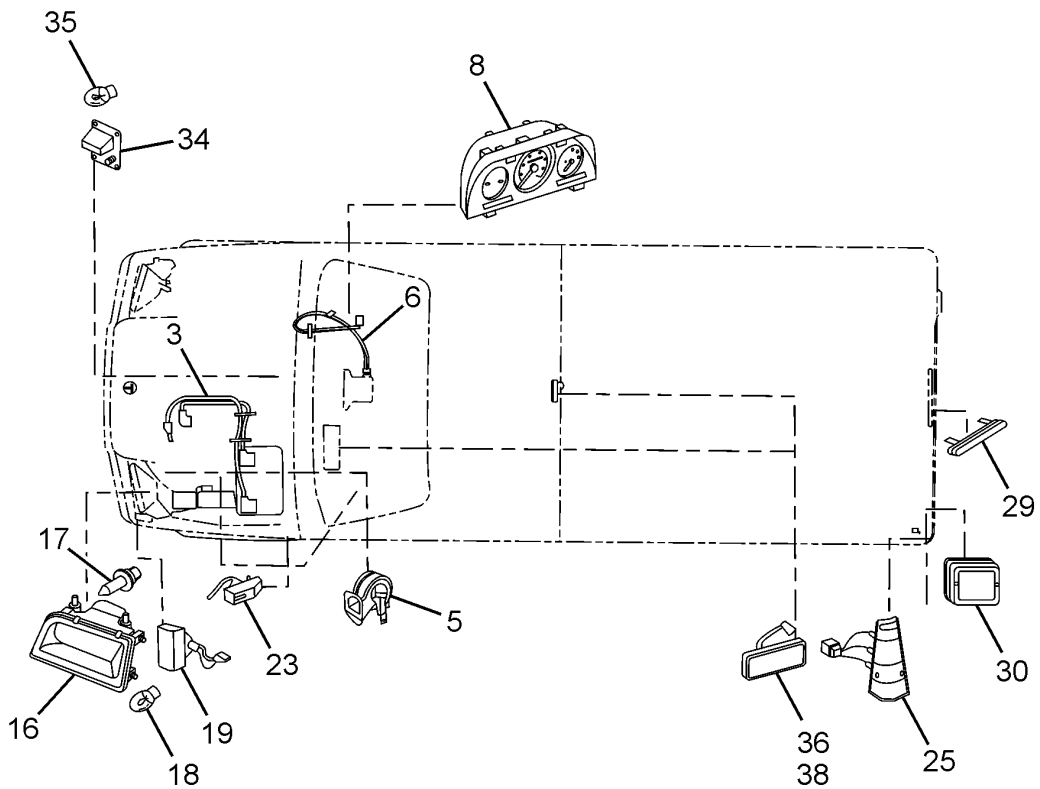
54.54.01B		ELECTRICAL EQUIPMENT-1		GROUP 54	
CHASSIS TYPE: 374558					
FIG. NO.	PART NUMBER	DESCRIPTION	QTY	REMARKS	
-	265454407503	RUBBER GASKET (FOR REAR FOG LAMP)	1		
34	269954400140	ASS.ENGINE LAMP	1		
35	62120601216	LAMP, 12V 21W BA 15S	1		
36	265954400181	ROOF LAMP W/ E'MARK BULB W/O CONN[O.DRG]	1		
36	269954409929	ROOF LAMP M/S LUMAX	1		
-	62120515107	BULB, 12V 10W	1		
38	265454420181	ASSY.READING LAMP W/E' MARK BULB	1		
-	62120515107	BULB, 12V 10W	1		
-	265454420191	ASSY.TRAILER LAMP	1		
-	282654500105	ASSY BONNET SWITCH HOLDER	1		
-	284254509917	HOOD (BONNET) SWITCH	1		
-	267881106306	REFLEX REFLECTOR (DOOR)	2		

CHASSIS TYPE: 374536; 374557



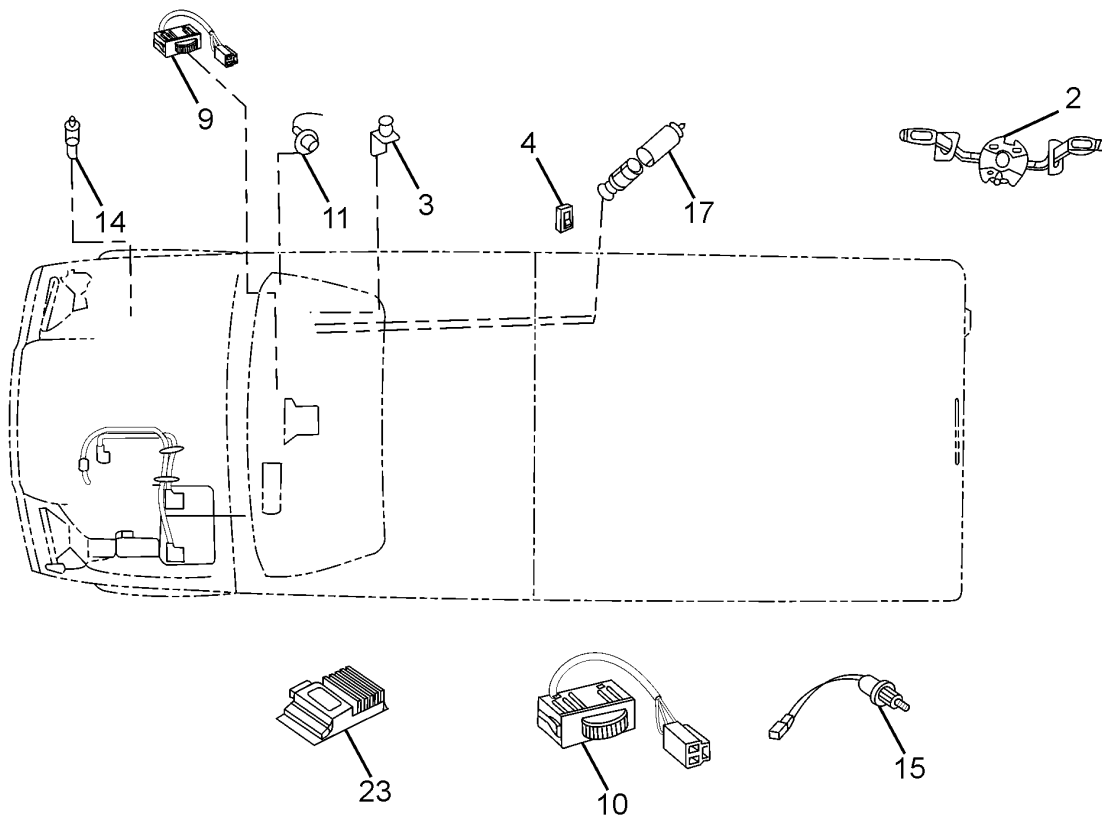
54.54.01C		ELECTRICAL EQUIPMENT-1		GROUP 54	
CHASSIS TYPE: 374536; 374557					
FIG. NO.	PART NUMBER	DESCRIPTION	QTY	REMARKS	
3	289454100107	ASSY.+VE BATTERY CABLE LHD 2.2L DICOR	1		
3	282654100104	BATT.CABLE -VE	1		
3	282654100105	BATT.CABLE -VE [CLUTCH HSG-FLOOR]	1		
5	265454209988	HORN, CLEAR HIGH TONE 'E' MARK 12V	1		
5	265454209989	HORN, CLEAR LOW TONE 'E' MARK 12V	1		
6	265354209908	3.2 DIS SPEEDOCABLE 2350 LG JIS[PRICOL]	1		
8	272154200110	ASSY.INST.CLUSTER 1:0.812 WITH TRIP ODO	1		
-	272154209905	SPEEDOMETER	1		
-	272154209906	ASSY.FUEL GAUGE + TEMP. GAUGE	1		
-	272154209907	ASSY. R.P.M.(4X2)	1		
-	269854506303	DUMMY PIANO SWITCH COVER	3		
16	272154400102	ASSY.HEAD LAMP RH - LHD	1		
16	272154400101	ASSY.HEAD LAMP LH - LHD	1		
17	62120601011	HALOGEN BULB, HEAD LAMP 60/55 W 12V 'E'	2		
18	62120601119	PARKING BULB, HEAD LAMP 14W 12V 'E' CERT	2		
19	265954410135	ASSY.BLINKER LAMP W/'E' MARK BULB, 12V '	1		
19	265954410136	ASSY.BLINKER LAMP W/'E' MARK BULB, 12V '	1		
-	265454409912	BULB,BLINKER 21W 12V 'E' CERT.	2		
23	265454420140	ASSY.SIDE INDICATOR LAMP LH (MSSL CONN.)	1		
23	265454420141	ASSY.SIDE INDICATOR LAMP RH (MSSL CONN.)	1		
-	265454409916	BULB,SIDE INDICATOR LAMP 12V 5W W10/5 'E	2		
25	265454420110	ASSY.TAIL LAMP LH (MSSL CONN.)	1		
25	265454420111	ASSY.TAIL LAMP RH (MSSL CONN.)	1		
-	62120601216	BULB 12V 21W BA 15 S	6		
-	265454409914	BULB 12V 10W BA 15 S	2		
29	265454410103	REGISTRATION PLATE LAMP 12V	1		
-	265454409914	BULB 12V 10W BA 15 S	2		
30	282654400101	REAR FOG LAMP	1		

CHASSIS TYPE: 374536; 374557



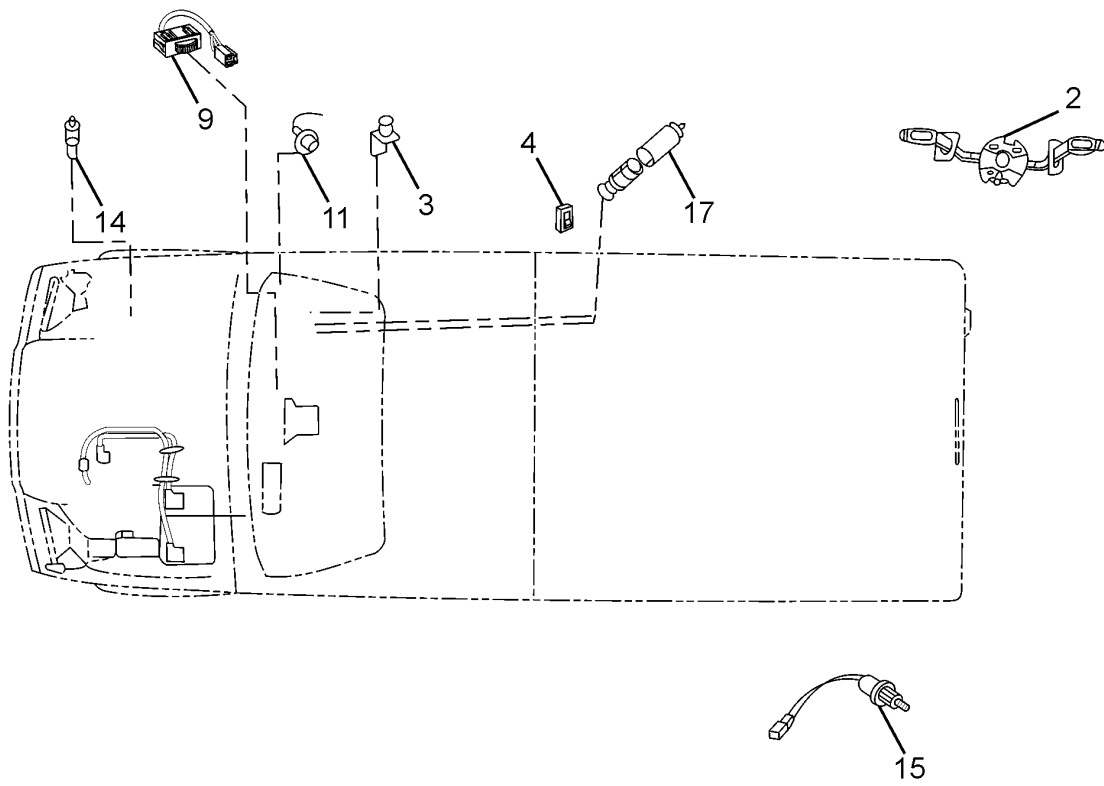
54.54.01C		ELECTRICAL EQUIPMENT-1		GROUP 54	
CHASSIS TYPE: 374536; 374557					
FIG. NO.	PART NUMBER	DESCRIPTION	QTY	REMARKS	
-	62120601216	LAMP, 12V 21W BA 15S	1		
-	265454407503	RUBBER GASKET (FOR REAR FOG LAMP)	1		
34	269954400140	ASS.ENGINE LAMP	1		
35	62120601216	LAMP, 12V 21W BA 15S	1		
36	265954400181	ROOF LAMP W/ E'MARK BULB W/O CONN[O.DRG]	1		
-	62120515107	BULB, 12V 10W	1		
38	265454420181	ASSY.READING LAMP W/E' MARK BULB	1		
-	62120515107	BULB, 12V 10W	1		
-	265454420191	ASSY.TRAILER LAMP	1		
-	282654500105	ASSY BONNET SWITCH HOLDER	1		
-	284254509917	HOOD (BONNET) SWITCH	1		
-	267881106306	REFLEX REFLECTOR (DOOR)	2		

CHASSIS TYPE: 374536; 374557



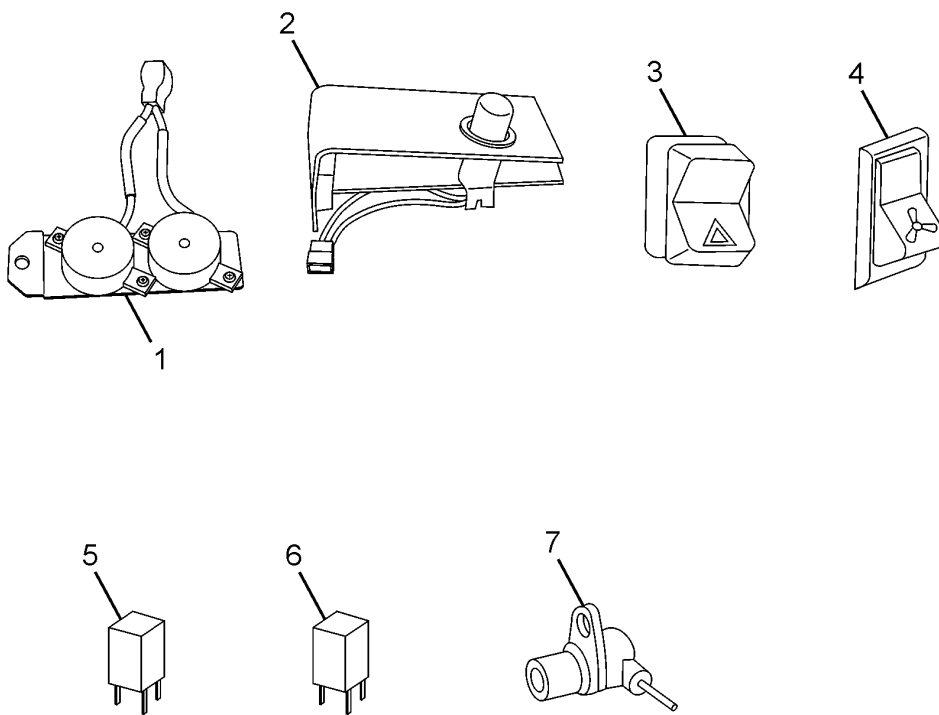
54.54.02A		ELECTRICAL EQUIPMENT-2		GROUP 54	
CHASSIS TYPE: 374536; 374557					
FIG. NO.	PART NUMBER	DESCRIPTION	QTY	REMARKS	
2	283054500101	STEERING COMBI SWITCH-LHD [M/S.SHUTHAM]	1		
3	265854500165	IC.FLASHER.W/MTG.BKT.W/O.CONN.[OFFER DRG			
4	265454510169	FOG LAMP SWITCH (DOUBLE POLE)-M/S PEC	1		
4	265954506907	PIANO KEY SW.DEMISTING(ILLU)M/S SHUTHAM	1		
9	265954500145	HEAD LAMP LEVELLING SW.[HORIZONTAL]	1		
10	265954500149	TRANSFER CASE SELECTION SW.[M/S.SHUTHAM]	1		
11	282354509914	DOOR SWITCH TAIL WITH 2 POLE CONN-MINDA	2		
14	270254509930	STOP LIGHT SWITCH,M10 X 1.25 - OFFER	1		
15	269854500140	ASSY.REV.LT.SW.(300`A'TYPE)-M/S.SHUTHAM			
-	269954529955	CLUTCH SWITCH	1		
17	269954209997	CIGAR LIGHTER M/S PRICOL	1		
23	270454209924	ECU (TRANSFER CASE)M/S.DIVAGI WARNER	1		

CHASSIS TYPE: 374508; 374558; 374506



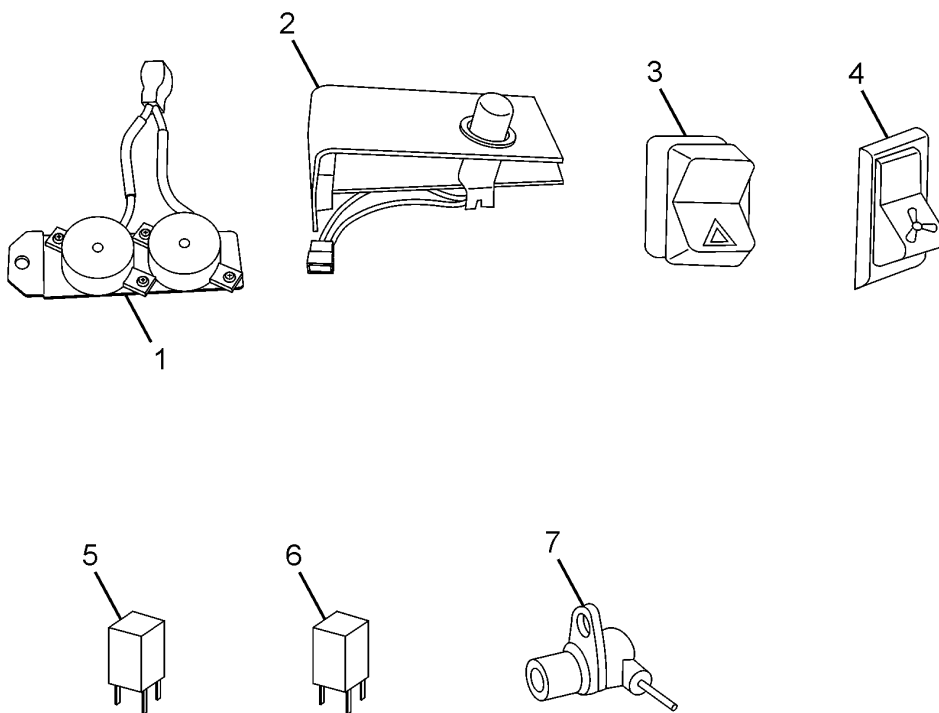
54.54.02B		ELECTRICAL EQUIPMENT-2		GROUP 54	
CHASSIS TYPE: 374508; 374558; 374506					
FIG. NO.	PART NUMBER	DESCRIPTION	QTY	REMARKS	
2	283054500101	STEERING COMBI SWITCH-LHD [M/S.SHUTHAM]	1		
3	265854500165	IC.FLASHER.W/MTG.BKT.W/O.CONN.[OFFER DRG			
4	265454510169	FOG LAMP SWITCH (DOUBLE POLE)-M/S PEC	1		
4	265954506907	PIANO KEY SW.DEMISTING(ILLU)M/S SHUTHAM	1		
9	265954500145	HEAD LAMP LEVELLING SW.[HORIZONTAL]	1		
11	282354509914	DOOR SWITCH TAIL WITH 2 POLE CONN-MINDA	2		
14	270254509930	STOP LIGHT SWITCH,M10 X 1.25 - OFFER	1		
15	269854500140	ASSY.REV.LT.SW.(300`A'TYPE)-M/S.SHUTHAM			
-	269954529955	CLUTCH SWITCH	1		
17	269954209997	CIGAR LIGHTER M/S PRICOL	1		

CHASSIS TYPE: 374536; 374508; 374506



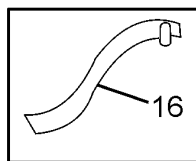
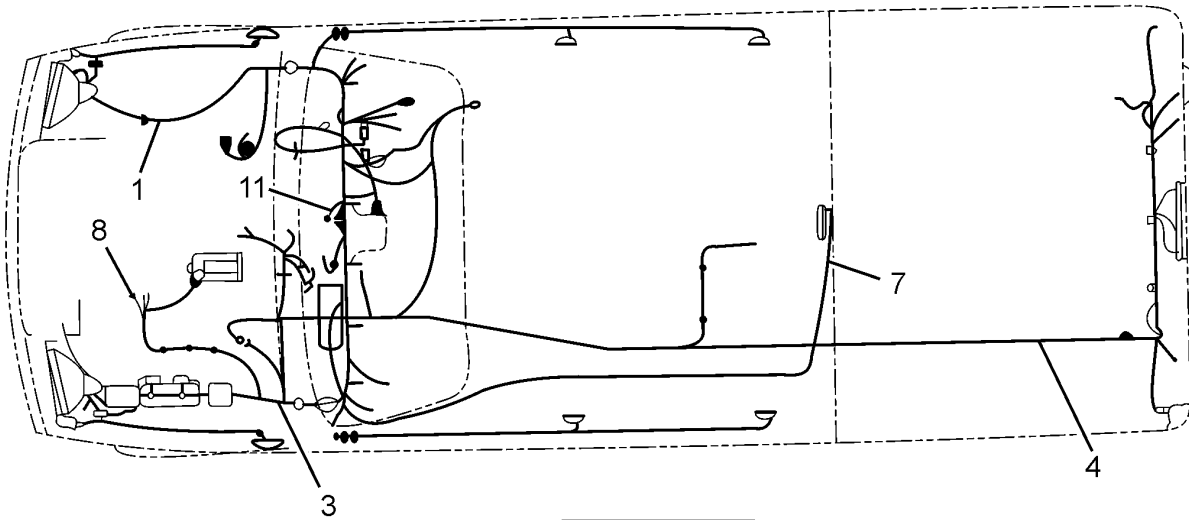
54.54.03A		ELECTRICAL EQUIPMENT-3		GROUP 54	
CHASSIS TYPE: 374536; 374508; 374506					
FIG. NO.	PART NUMBER	DESCRIPTION	QTY	REMARKS	
1	269854200185	ASSY.SEAT BELT&DOOR AJAR BEPPER-SRICHARN	1		
2	269954519966	HAND BRAKE SWITCH -M/S MINDARICA	1		
3	265454700155	ASSY.BLOWER SWITCH-MSSL-[OFFER DRG.]	1		
4	283054509901	HAZARD WARNING SWITCH [M/S.SHUTHAM]	1		
-	282654900102	KIT-IMMOBILISER + KEYLESS ENTRY SYSTEM	1		
-	265454509913	LOW OIL PRESSURE SWITCH	1		
-	284354209931	TEMP SENSOR 2K2 1% BROWN CONN	1		
5	269954209908	WIPER CONTROLLER 12V(OFFER DRG.)	1		
6	270254209960	CHIME UNIT (M/S ED)	1		
-	282054219917	GLOW PLUG UNIT	1		
-	265454809908	RADIO ANTENNA	1		
7	284254209907	VEHICLE SPEED SENSOR	1		

CHASSIS TYPE: 374557; 374558



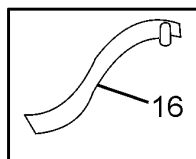
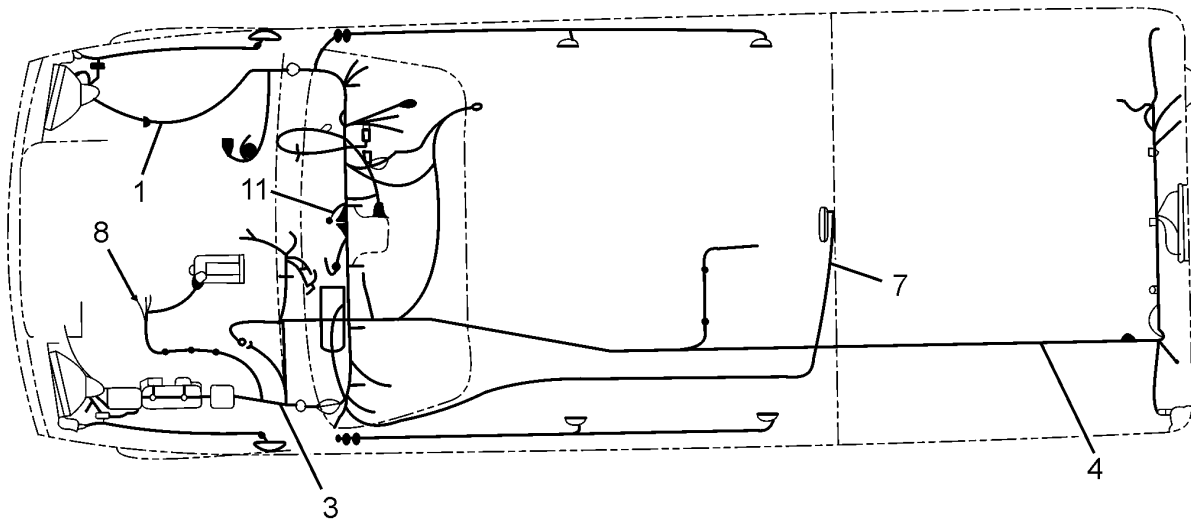
54.54.03B		ELECTRICAL EQUIPMENT-3		GROUP 54	
CHASSIS TYPE: 374557; 374558					
FIG. NO.	PART NUMBER	DESCRIPTION	QTY	REMARKS	
1	269854200185	ASSY.SEAT BELT&DOOR AJAR BEPPER-SRICHARN	1		
2	269954519966	HAND BRAKE SWITCH -M/S MINDARICA	1		
3	265454700155	ASSY.BLOWER SWITCH-MSSL-[OFFER DRG.]	1		
4	283054509901	HAZARD WARNING SWITCH [M/S.SHUTHAM]	1		
-	283054900104	KIT-IMMOBILISER + KEYLESS ENTRY SYSTEM	1		
-	265454509913	LOW OIL PRESSURE SWITCH	1		
-	284354209931	TEMP SENSOR 2K2 1% BROWN CONN	1		
5	269954209908	WIPER CONTROLLER 12V(OFFER DRG.)	1		
6	270254209960	CHIME UNIT (M/S ED)	1		
-	282054219917	GLOW PLUG UNIT	1		
-	265454809908	RADIO ANTENNA	1		
7	284254209907	VEHICLE SPEED SENSOR	1		

CHASSIS TYPE: 374508; 374506



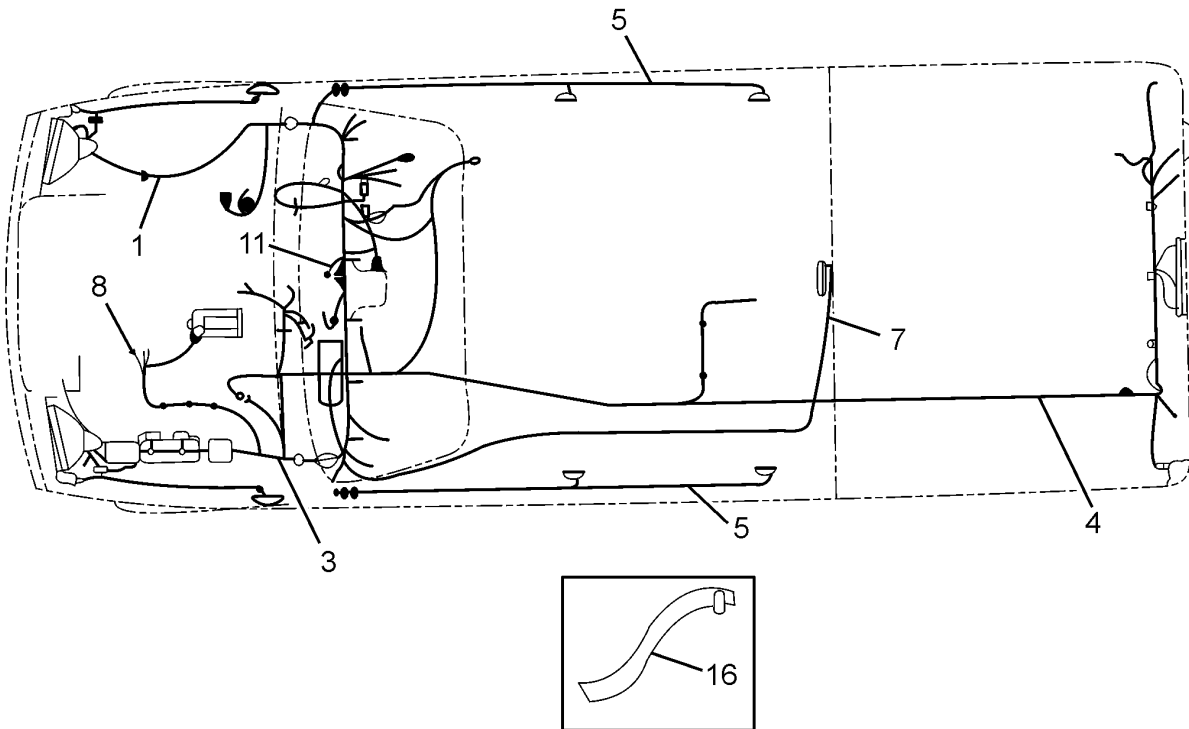
54.54.04A		WIRING HARNESS		GROUP 54
CHASSIS TYPE: 374508; 374506				
FIG. NO.	PART NUMBER	DESCRIPTION	QTY	REMARKS
1	272154600150	WIRING HARNESS CABIN LHD E-IV	1	
3	272154600149	WIRING HARNESS FRONT 2.2L E-IV - 4X4	1	
4	272154600148	WIRING HARNESS TAIL 2.2L TL	1	
-	272154600151	WIRING HARNESS EMS 2.2L E-IV	1	
-	282654600148	WIRING HARNESS, DRIVER SIDE DOOR	1	
-	282654600149	WIRING HARNESS, CO-DRIVER DOOR	1	
7	265354600155	WIRING HARNESS, ROOF, HEATING&DEMISTING	1	OPTIONAL
7	265354600162	WIRING HARNESS, ROOF, HEATING&DEMISTING	1	OPTIONAL
11	265854620144	WIRING HARNESS,CONTROL HOUSING,A/C&HEAT.	1	
-	270154600154	WIRING HARNESS, BELT	1	
16	269854109901	EARTH STRAP	1	

CHASSIS TYPE: 374536



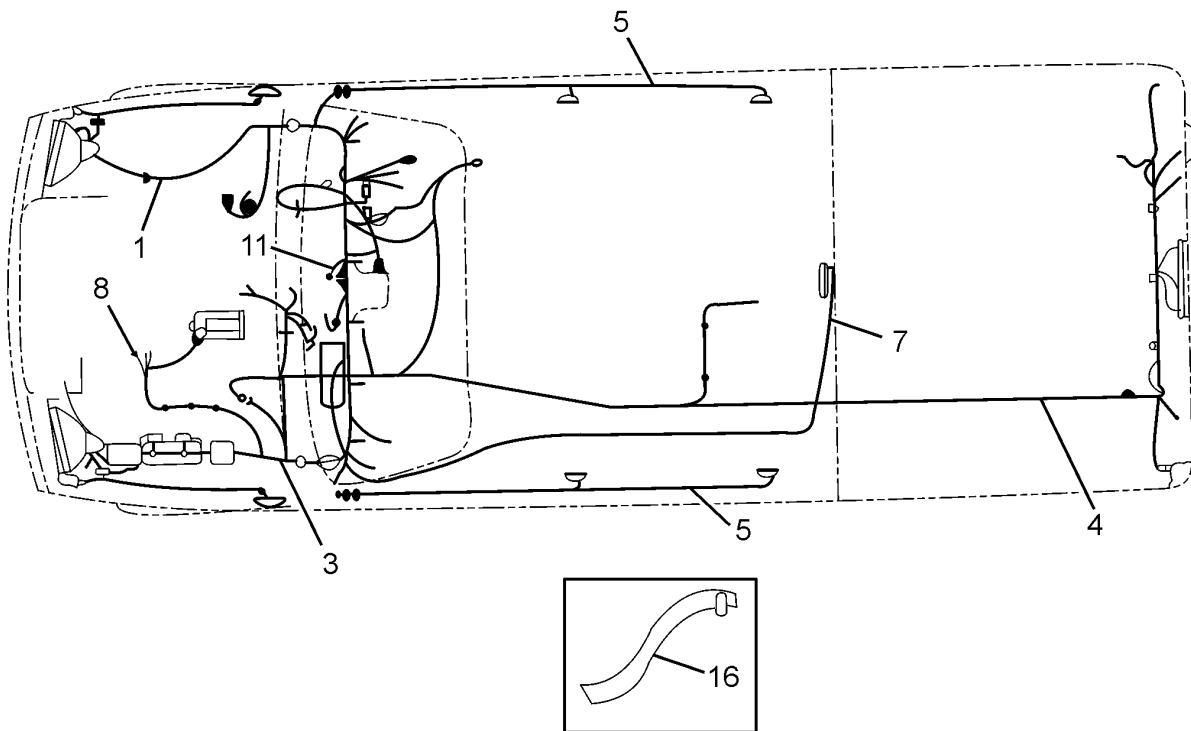
54.54.04B		WIRING HARNESS		GROUP 54	
CHASSIS TYPE: 374536					
FIG. NO.	PART NUMBER	DESCRIPTION	QTY	REMARKS	
1	272154600150	WIRING HARNESS CABIN LHD E-IV	1		
3	272154600149	WIRING HARNESS FRONT 2.2L E-IV - 4X4	1		
4	272154600148	WIRING HARNESS TAIL 2.2L TL	1		
-	272154600147	WIRING HARNESS TAIL + 4X4 TRANSFER CASE	1		
-	272154600151	WIRING HARNESS EMS 2.2L E-IV	1		
-	282654600148	WIRING HARNESS, DRIVER SIDE DOOR	1		
-	282654600149	WIRING HARNESS, CO-DRIVER DOOR	1		
7	265354600155	WIRING HARNESS, ROOF, HEATING&DEMISTING	1	OPTIONAL	
7	265354600162	WIRING HARNESS, ROOF, HEATING&DEMISTING	1	OPTIONAL	
11	265854620144	WIRING HARNESS,CONTROL HOUSING,A/C&HEAT.	1		
-	270154600154	WIRING HARNESS, BELT	1		
-	265354600172	WIRING HARNESS, ECU (TRANSFER CASE)	1		
-	270454600109	WIRING HARNESS, TRANSFER CASE - 4X4	1	OPTIONAL	
-	270454600120	WIRING HARNESS, TRANSFER CASE - 4X4	1	OPTIONAL	
16	269854109901	EARTH STRAP	1		

CHASSIS TYPE: 374558



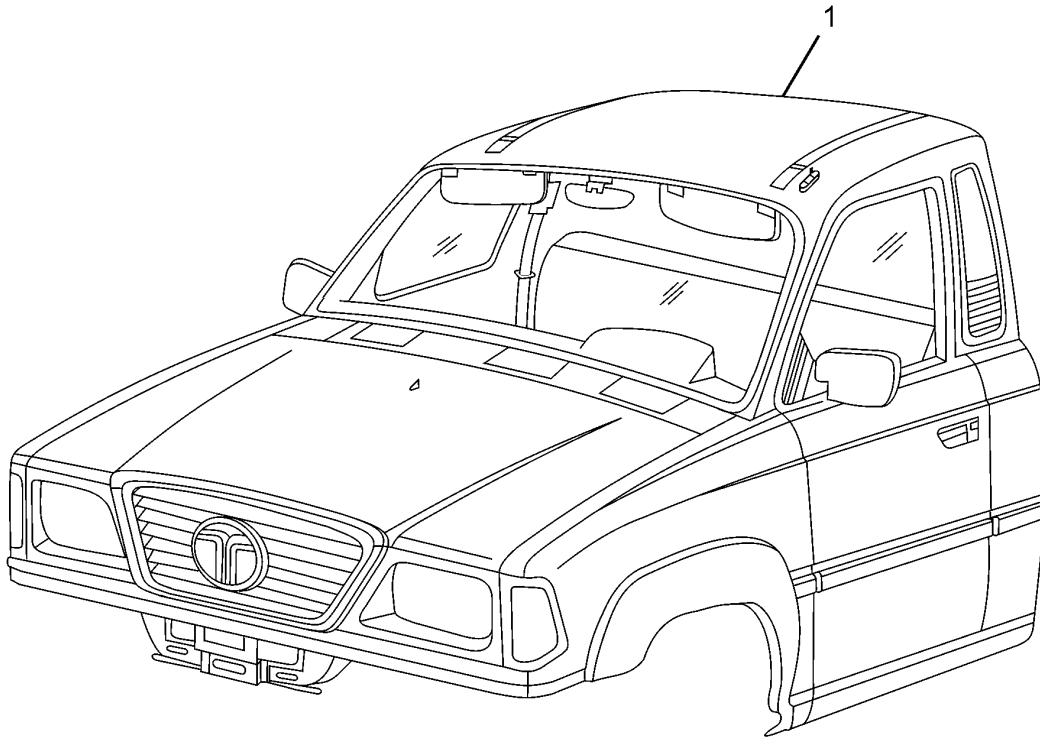
54.54.04C		WIRING HARNESS		GROUP 54
CHASSIS TYPE: 374558				
FIG. NO.	PART NUMBER	DESCRIPTION	QTY	REMARKS
1	272154600150	WIRING HARNESS CABIN LHD E-IV	1	
3	272154600149	WIRING HARNESS FRONT 2.2L E-IV - 4X4	1	
4	272154600148	WIRING HARNESS TAIL 2.2L TL	1	
-	272154600151	WIRING HARNESS EMS 2.2L E-IV	1	
-	282654600148	WIRING HARNESS, DRIVER SIDE DOOR	1	
-	282654600149	WIRING HARNESS, CO-DRIVER DOOR	1	
5	282654600150	WIRING HARNESS, DRIVER SIDE REAR DOOR	1	
5	282654600151	WIRING HARNESS, REAR DOOR CO-DRIVER SIDE	1	
7	265354600155	WIRING HARNESS, ROOF, HEATING&DEMISTING	1	
11	265854620144	WIRING HARNESS,CONTROL HOUSING,A/C&HEAT.	1	
-	270154600154	WIRING HARNESS, BELT	1	
16	269854109901	EARTH STRAP	1	

CHASSIS TYPE: 374557



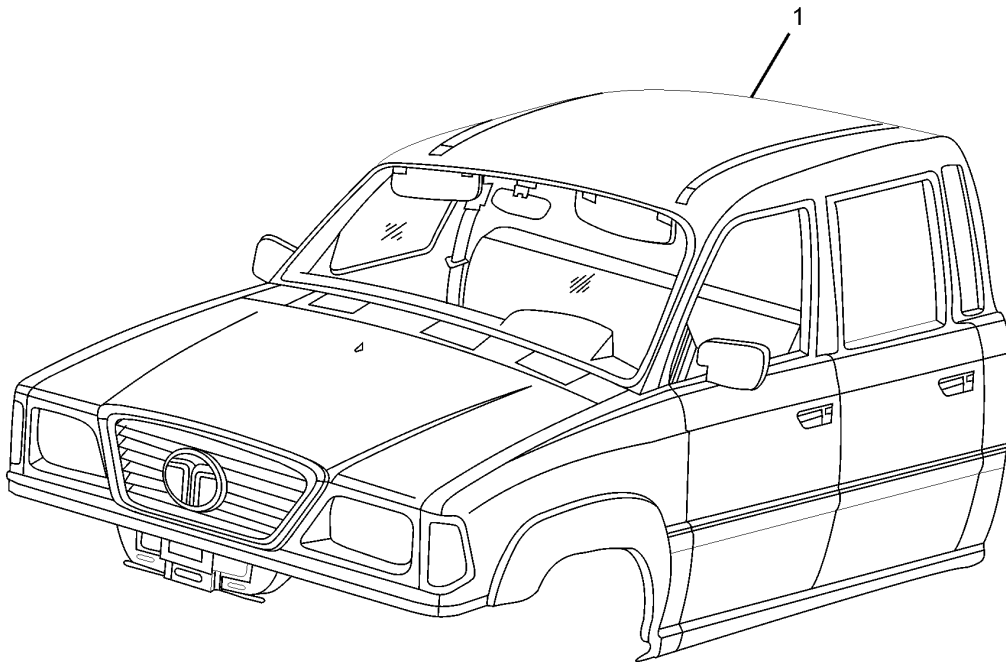
54.54.04D		WIRING HARNESS		GROUP 54
CHASSIS TYPE: 374557				
FIG. NO.	PART NUMBER	DESCRIPTION	QTY	REMARKS
1	272154600150	WIRING HARNESS CABIN LHD E-IV	1	
3	272154600149	WIRING HARNESS FRONT 2.2L E-IV - 4X4	1	
4	272154600148	WIRING HARNESS TAIL 2.2L TL	1	
-	272154600147	WIRING HARNESS TAIL + 4X4 TRANSFER CASE	1	
-	272154600151	WIRING HARNESS EMS 2.2L E-IV	1	
-	282654600148	WIRING HARNESS, DRIVER SIDE DOOR	1	
-	282654600149	WIRING HARNESS, CO-DRIVER DOOR	1	
5	282654600150	WIRING HARNESS, DRIVER SIDE REAR DOOR	1	
5	282654600151	WIRING HARNESS, REAR DOOR CO-DRIVER SIDE	1	
7	265354600155	WIRING HARNESS, ROOF, HEATING&DEMISTING	1	
11	265854620144	WIRING HARNESS,CONTROL HOUSING,A/C&HEAT.	1	
-	270154600154	WIRING HARNESS, BELT	1	
-	265354600172	WIRING HARNESS, ECU (TRANSFER CASE)	1	
-	270454600109	WIRING HARNESS, TRANSFER CASE - 4X4	1	OPTIONAL
-	270454600120	WIRING HARNESS, TRANSFER CASE - 4X4	1	OPTIONAL
16	269854109901	EARTH STRAP	1	

CHASSIS TYPE: 374536; 374508; 374506



60.60.01		ASSY,SINGLE CAB COMPLETE		GROUP 60	
CHASSIS TYPE: 374536; 374508; 374506					
FIG. NO.	PART NUMBER	DESCRIPTION	QTY	REMARKS	
1	28326000Z199BF	ASSY,BODY COMP(2.2,BUKET,HD)ARTICT WHITE	1		
1	28326000Z199BM	ASSY,BODY COMP(2.2,BUKET,HD)FIJI BLUE	1		
1	28326000Z199D3	ASSY,BODY COMP(2.2,BUKET,HD)ARTICT SILVER	1		
1	28326000Z199D5	ASSY,BODY COMP(2.2,BUKET,HD)TIMBER GREEN	1		

CHASSIS TYPE: 374557; 374558



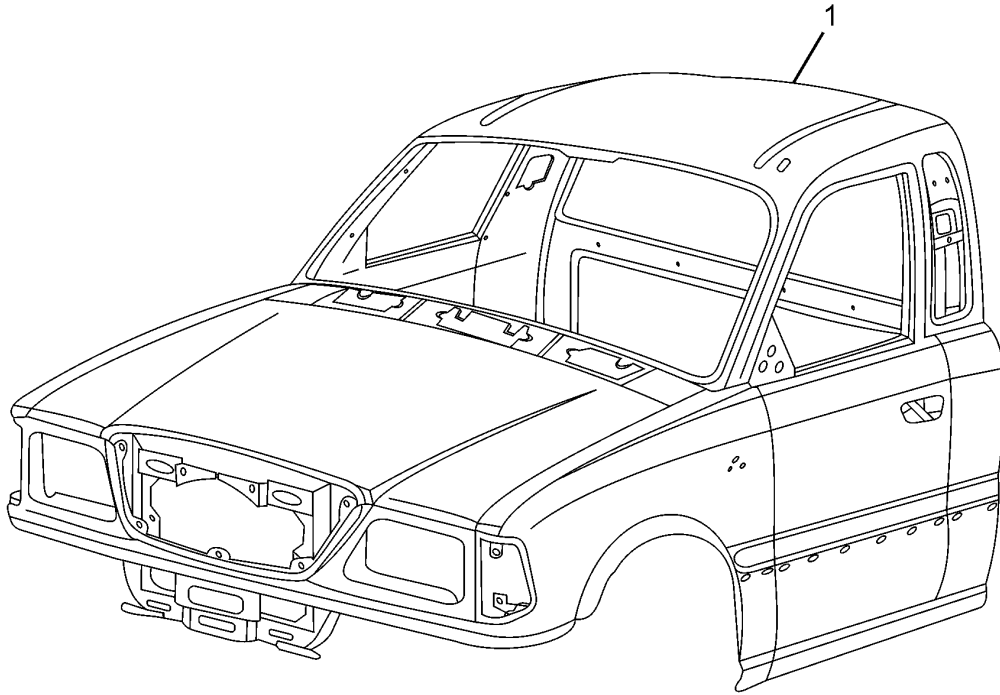
60.60.02		ASSY, CREW CAB COMPLETE		GROUP 60	
CHASSIS TYPE: 374557; 374558					
FIG. NO.	PART NUMBER	DESCRIPTION	QTY	REMARKS	
1	28336000Z140BF	ASSY,BODY COMPLETE(AC+HD)ARTICT WHITE	1		
1	28336000Z140BM	ASSY,BODY COMPLETE(AC+HD)FIJI BLUE	1		
1	28336000Z140D3	ASSY,BODY COMPLETE(AC+HD)ARTICT SILVER	1		
1	28336000Z140D5	ASSY,BODY COMPLETE(AC+HD)TIMBER GREEN	1		

60.60.03

ASSY, BODY SHELL COMPLETE(SINGLE CAB)

GROUP 60

CHASSIS TYPE: 374536; 374508; 374506



60.60.03

A07

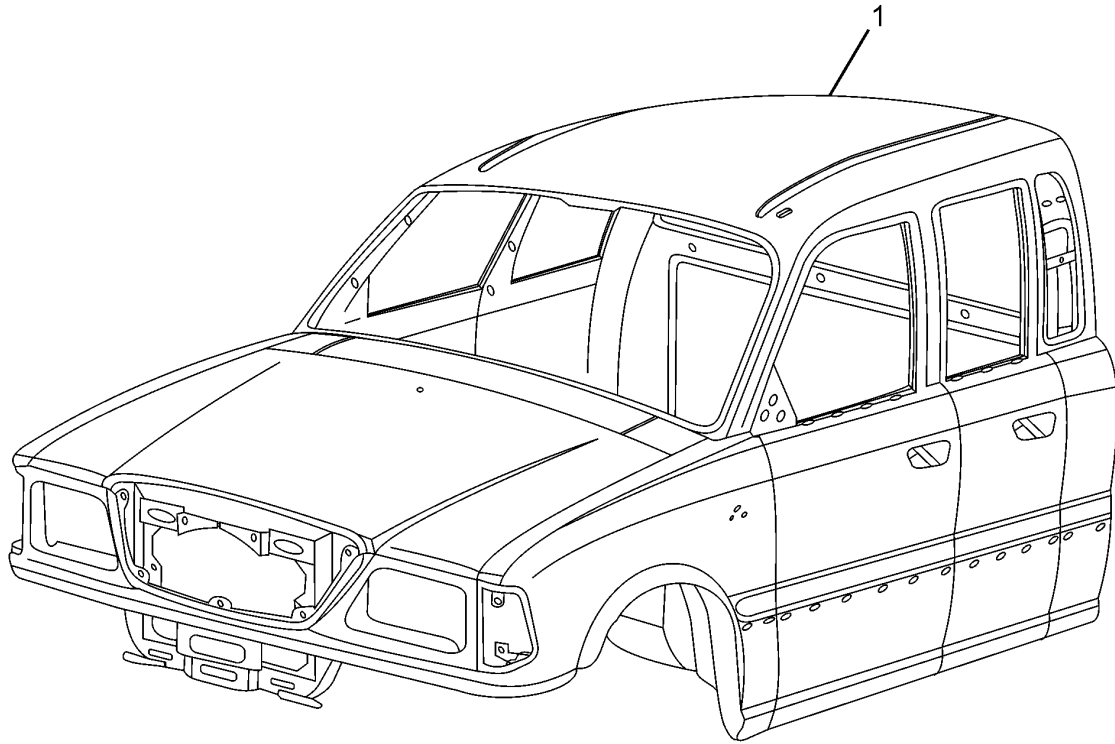
60.60.03		ASSY, BODY SHELL COMPLETE(SINGLE CAB)		GROUP 60	
CHASSIS TYPE: 374536; 374508; 374506					
FIG. NO.	PART NUMBER	DESCRIPTION	QTY	REMARKS	
1	28326001Z101BF	ASSY,BODY SHELL COMP.PAINT ARTICT WHITE	1		
1	28326001Z101BM	ASSY,BODY SHELL COMP.PAINT FIJI BLUE	1		
1	28326001Z101D3	ASSY,BODY SHELL COMP.PAINT ARTICT SILVER	1		
1	28326001Z101D5	ASSY,BODY SHELL COMP.PAINT TIMBER GREEN	1		

60.60.04

ASSY, BODY SHELL COMPLETE(CREW CAB)

GROUP 60

CHASSIS TYPE: 374557; 374558

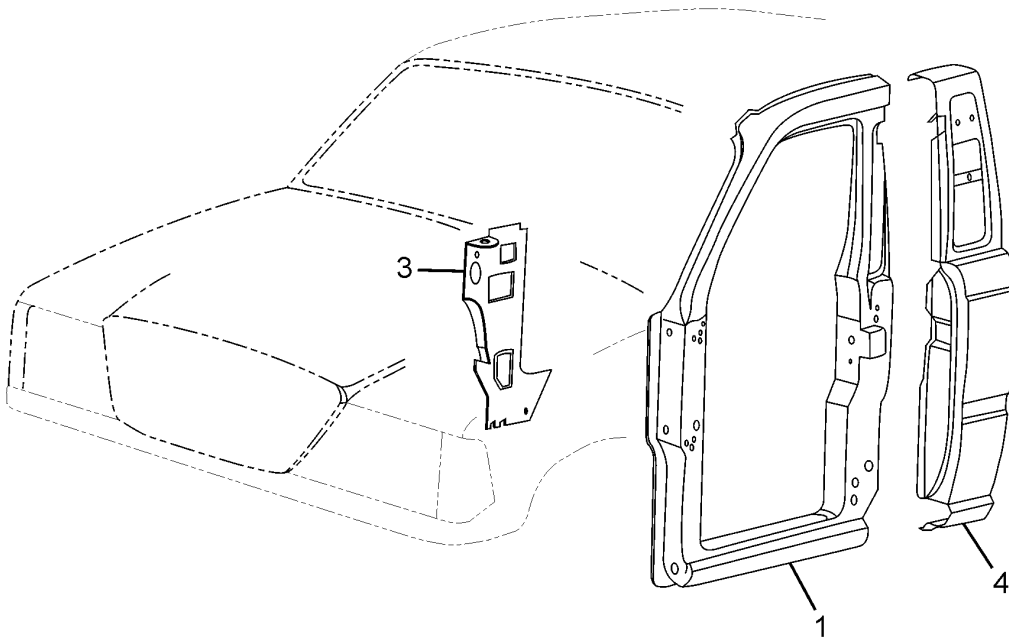


60.60.04

A07

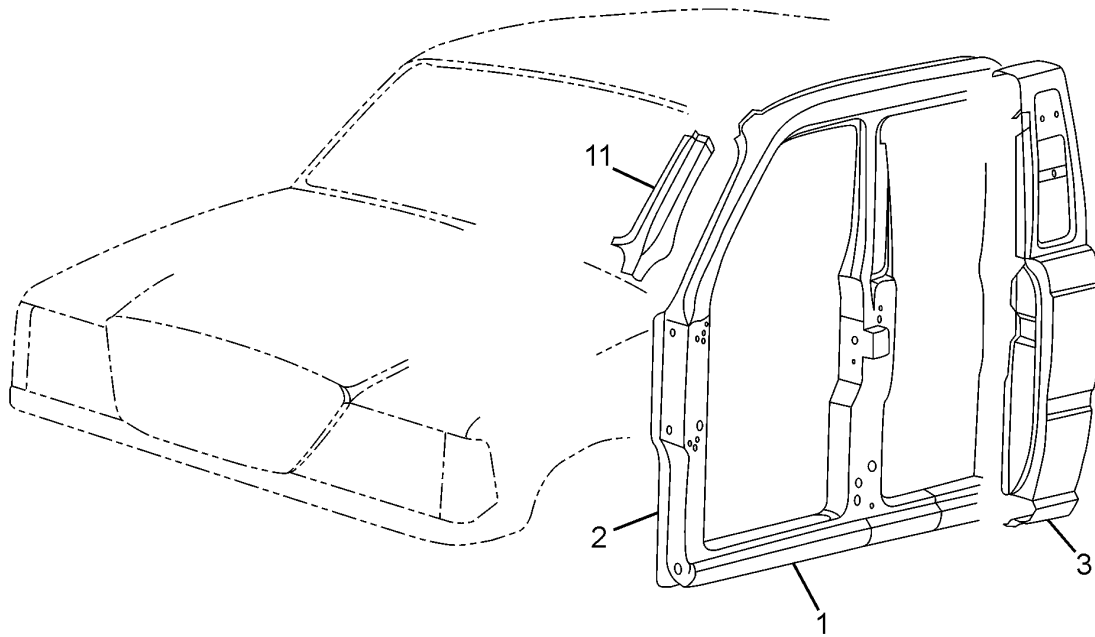
60.60.04		ASSY, BODY SHELL COMPLETE(CREW CAB)		GROUP 60	
CHASSIS TYPE: 374557; 374558					
FIG. NO.	PART NUMBER	DESCRIPTION	QTY	REMARKS	
1	28336000Z152BF	ASSY,BODY SHELL COMP.PAINT ARTICT WHITE	1		
1	28336000Z152BM	ASSY,BODY SHELL COMP.PAINT FIJI BLUE	1		
1	28336000Z152D3	ASSY,BODY SHELL COMP.PAINT ARTICT SILVER	1		
1	28336000Z152D5	ASSY,BODY SHELL COMP.PAINT TIMBER GREEN	1		

CHASSIS TYPE: 374536; 374508; 374506



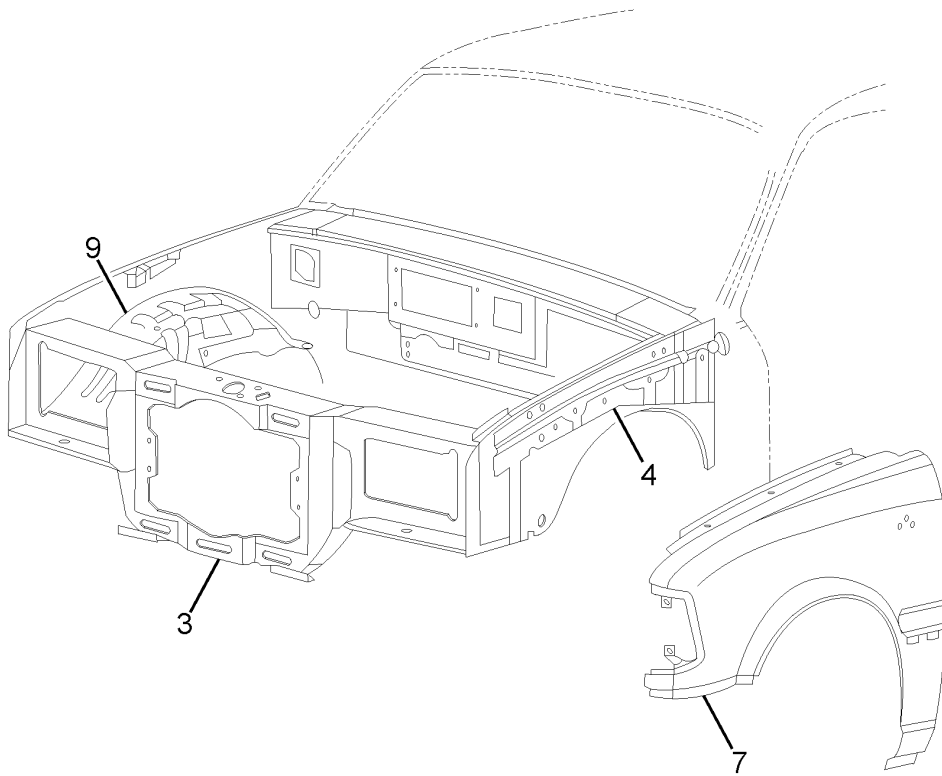
60.60.05		SHEET METAL PARTS(SINGLE CAB)		GROUP 60
CHASSIS TYPE: 374536; 374508; 374506				
FIG. NO.	PART NUMBER	DESCRIPTION	QTY	REMARKS
1	26546310C260	DOOR POST FRAME LH-LHD	1	
1	26546310C259	DOOR POST FRAME RH-LHD	1	
3	265463608204	PANEL POST SIDE LH	1	
3	265463608205	PANEL POST SIDE RH	1	
4	265463708213	PANEL OUTER CORNER LH	1	
4	265463708214	PANEL OUTER CORNER RH	1	

CHASSIS TYPE: 374557; 374558



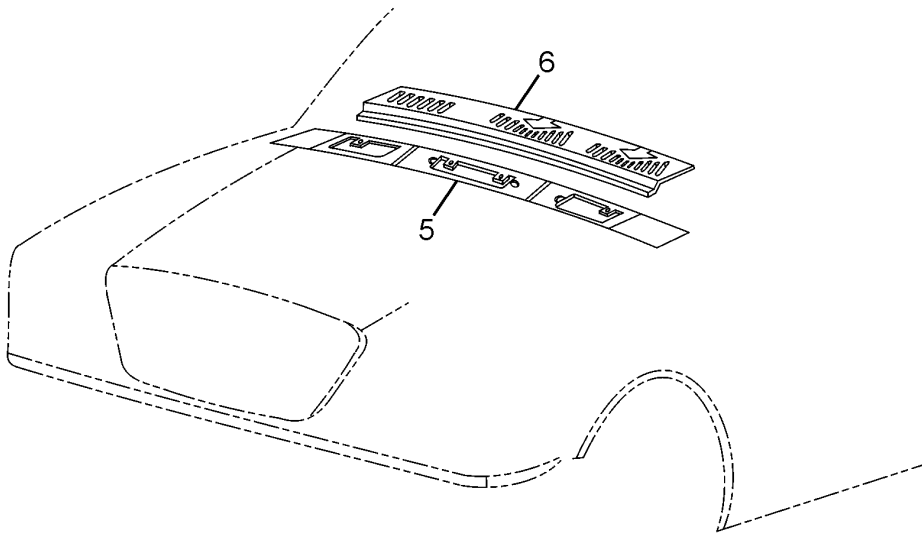
60.60.06		SHEET METAL PARTS(CREW CAB)		GROUP 60	
CHASSIS TYPE: 374557; 374558					
FIG. NO.	PART NUMBER	DESCRIPTION	QTY	REMARKS	
1	27016300Z107	ASSY,SIDE WALL LH LHD	1		
1	27016300Z108	ASSY,SIDE WALL RH LHD	1		
2	26586310C260	DOOR POST FRAME RH	1		
2	26586310C261	DOOR POST FRAME LH	1		
3	27016310C215	DOOR POST FRAME REAR LH	1		
3	27016310C216	DOOR POST FRAME REAR RH	1		
11	265463608217	PANEL SIDE W/S INNER L.H.	1		
11	265463608218	PANEL SIDE W/S INNER R.H.	1		

CHASSIS TYPE: ALL



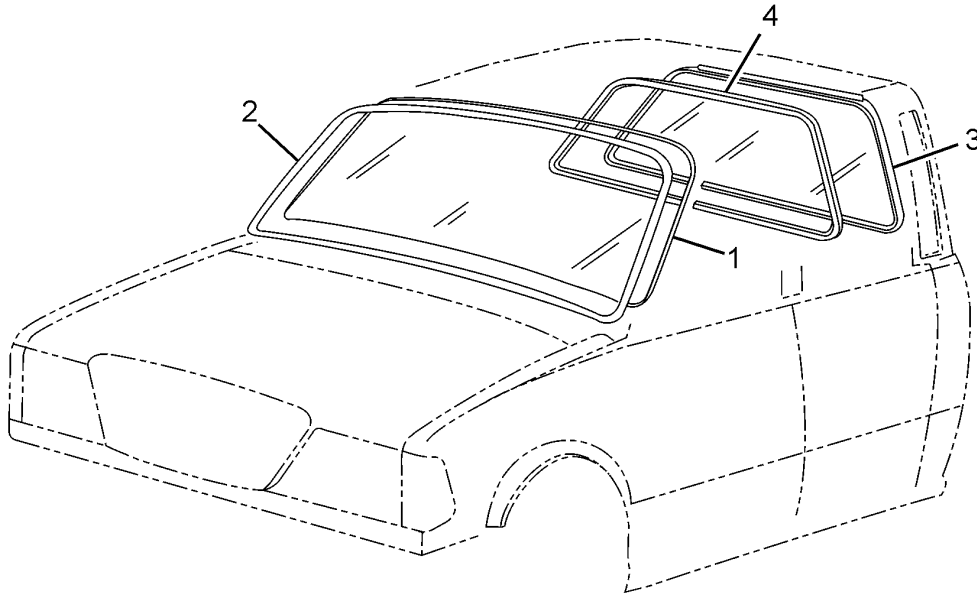
60.60.07		SHEET METAL PARTS		GROUP 60	
CHASSIS TYPE: ALL					
FIG. NO.	PART NUMBER	DESCRIPTION	QTY	REMARKS	
3	28336010Z110	ASSY,TIE MEMBER COMPLETE(2.2 DICOR)	1		
4	283360600114	PANEL INNER SIDE BONNET LH(2.2DICOR)	1		
4	283360600115	PANEL INNER SIDE BONNET RH(2.2DICOR)	1		
7	26598810Z109	ASSY,BONNET SIDE LH	1		
7	26598810Z110	ASSY,BONNET SIDE RH	1		
9	283360600112	ASSY.MUDGUARD COMPLETE LH(2.2 DICOR)	1		
9	283360600113	ASSY.MUDGUARD COMPLETE RH(2.2 DICOR)	1		

CHASSIS TYPE: ALL



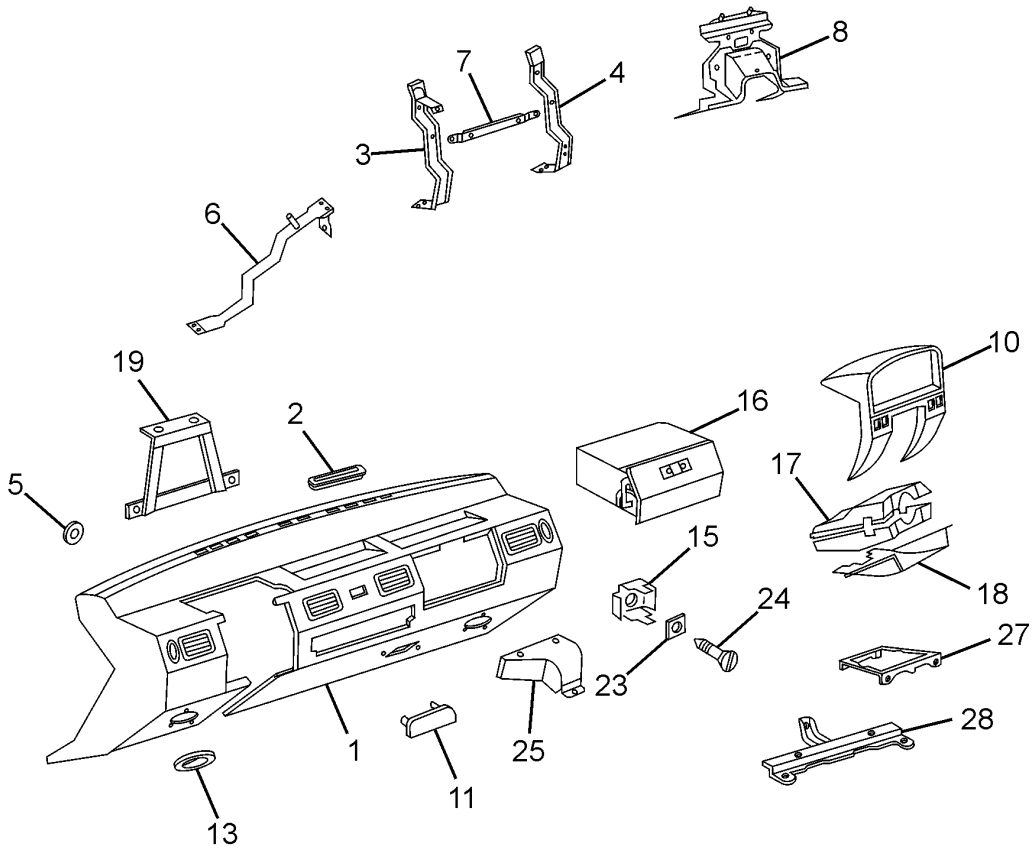
60.60.09		SHEET METAL PARTS		GROUP 60	
CHASSIS TYPE: ALL					
FIG. NO.	PART NUMBER	DESCRIPTION	QTY	REMARKS	
5	265462508201	PANEL W/S OUTER BOTTOM	1		
6	265481108205	COVER PANEL LHD(PANEL OUTER W/S BOTTOM)	1		

CHASSIS TYPE: ALL



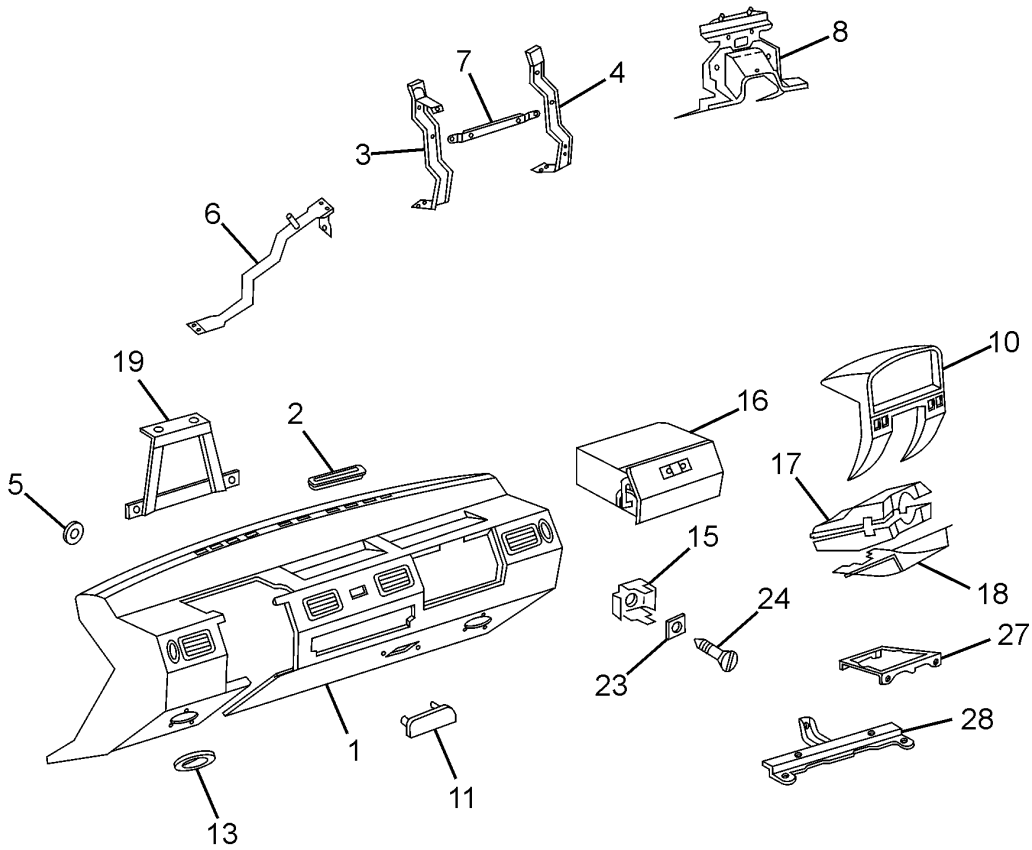
60.67.01		WIND SHIELD GLASS		GROUP 67	
CHASSIS TYPE: ALL					
FIG. NO.	PART NUMBER	DESCRIPTION	QTY	REMARKS	
1	265867102315	LAMINATED WIND SHIELD GLASS (TINTED)	1		
2	265467106301	RUBBER MOULD (W/S GLASS)	1		
3	265467802306	FIXED GLASS (REAR WINDOW)	1		
4	265467106303	RUBBER MOULD (REAR WINDOW)	1		

CHASSIS TYPE: 374536; 374508; 374506



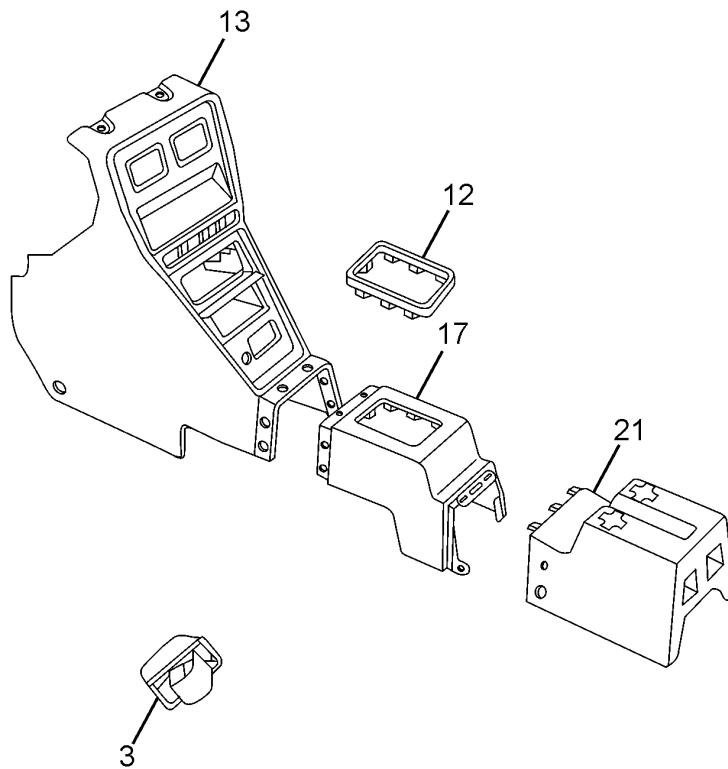
60.68.01A		DASHBOARD		GROUP 68	
CHASSIS TYPE: 374536; 374508; 374506					
FIG. NO.	PART NUMBER	DESCRIPTION	QTY	REMARKS	
1	266068906322	DASH BOARD LHD(DARK GRAY SOFT FEEL)	1		
2	265468906345	GARNISH FOR MIDDLE DEFROST	2		
3	265468900176	ASSY.STIFFNER(DASH BOARD)	2		
4	265468900172	ASSY.MTG.BRACKET (GLOVE BOX SIDE).	1		
5	265468906341	RUBBER SPACER	1		
6	265468900170	ASSY.MOUNTING BRACKET (DRIVER SIDE).	1		
7	265468900164	ASSY SUPPORT (GLOVE BOX)	1		
8	265468900169	ASSY.REINFORCEMENT-FOR PLASTIC DASHBOARD	1		
10	265468910151	ASSY.INSTRUMENT SHROUD D/G (SOFT FEEL)	1		
11	265468906380	SCREW CAP-LH (DARK GREY)	1		
11	265468906381	SCREW CAP-RH (DARK GREY)	1		
13	265468906316	COVER SPEAKER APPARTURE (DASH BOARD).	2		
15	265468908222	RETAINER	4		
16	265468910149	ASSY.GLOVE BOX COMPT.DARK GRAY(SOFT FEEL	1		
17	283268900105	NACELLE SET DARK GRAY	1		
18	265968906355	NACELLE BOTTOM(DARK GRAY)	1		
19	265468910129	ASSY.MOUNTING BRACKET CENTRE(DASH BOARD)	1		
-	265468906321	FOAM PACKING [REINF.PLASTIC DASH BOARD]	1		
23	265499006501	SQUARE NUT M6	1		
24	265468906501	RD.CSK SCREW M6X22	2		
25	265981116360	COVER RH DARK GRAY	1		
27	265454200113	ASSY CLUSTER MOUNTING BRACKET UPPER	1		
28	265454200111	ASSY CLUSTER MOUNTING BRACKET LOWER	1		

CHASSIS TYPE: 374557; 374558



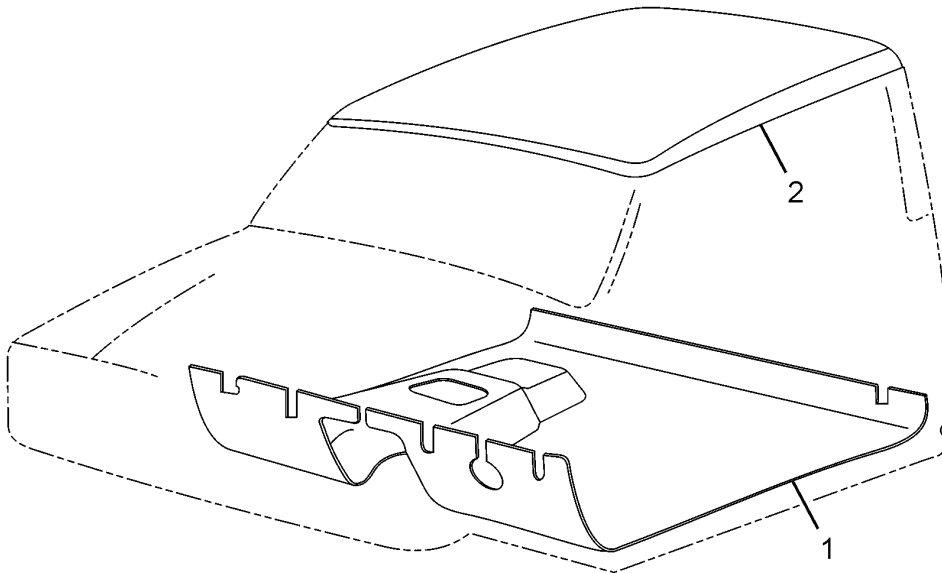
60.68.01B		DASHBOARD		GROUP 68	
CHASSIS TYPE: 374557; 374558					
FIG. NO.	PART NUMBER	DESCRIPTION	QTY	REMARKS	
1	266068906322	DASH BOARD LHD(DARK GRAY SOFT FEEL)	1		
2	265468906345	GARNISH FOR MIDDLE DEFROST	2		
3	265468900176	ASSY.STIFFNER(DASH BOARD)	2		
4	265468900172	ASSY.MTG.BRACKET (GLOVE BOX SIDE).	1		
5	265468906341	RUBBER SPACER	1		
6	265468900170	ASSY.MOUNTING BRACKET (DRIVER SIDE).	1		
7	265468900164	ASSY SUPPORT (GLOVE BOX)	1		
8	265468900169	ASSY.REINFORCEMENT-FOR PLASTIC DASHBOARD	1		
10	265468910151	ASSY.INSTRUMENT SHROUD D/G (SOFT FEEL)	1		
11	265468906380	SCREW CAP-LH (DARK GREY)	1		
11	265468906381	SCREW CAP-RH (DARK GREY)	1		
13	265468906316	COVER SPEAKER APPARTURE (DASH BOARD).	2		
15	265468908222	RETAINER	4		
16	265468910149	ASSY.GLOVE BOX COMPT.DARK GRAY(SOFT FEEL	1		
17	283268900105	NACELLE SET DARK GRAY	1		
18	265968906355	NACELLE BOTTOM(DARK GRAY)	1		
19	265468910129	ASSY.MOUNTING BRACKET CENTRE(DASH BOARD)	1		
-	265468906321	FOAM PACKING [REINF.PLASTIC DASH BOARD]	1		
23	265499006501	SQUARE NUT M6	1		
24	265468906501	RD.CSK SCREW M6X22	2		
27	265454200113	ASSY CLUSTER MOUNTING BRACKET UPPER	1		
28	265454200111	ASSY CLUSTER MOUNTING BRACKET LOWER	1		

CHASSIS TYPE: ALL



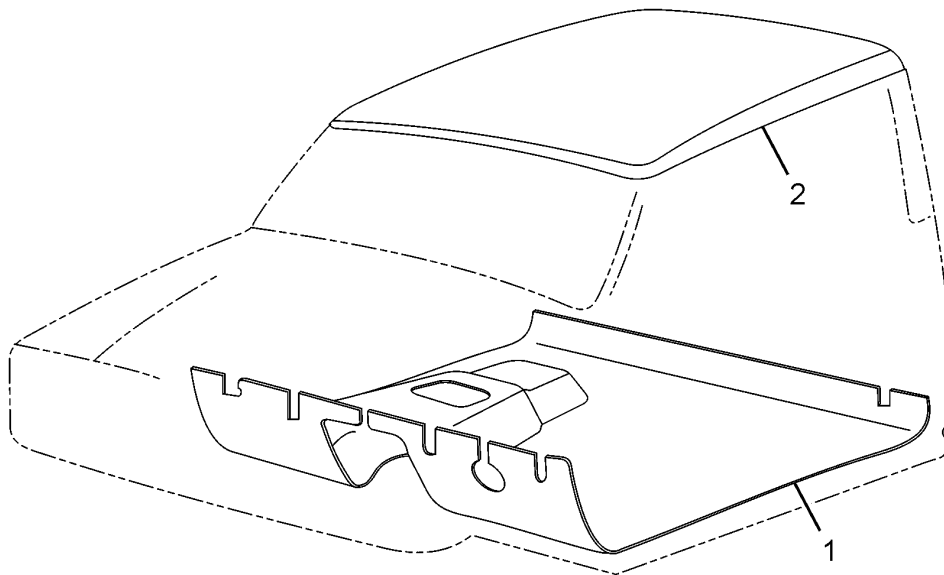
60.68.02		CONSOLE		GROUP 68	
CHASSIS TYPE: ALL					
FIG. NO.	PART NUMBER	DESCRIPTION	QTY	REMARKS	
3	265481300103	ASSY ASH TRAY(BLACK)	1		
12	283268906301	BASE PLATE (G.S.LEVER)	1		
13	266068906320	CONSOLE FRONT LHD DARK GRAY SOFT FEEL	1		
17	266068906321	CONSOLE MIDDLE DARK GRAY SOFT FEEL	1		
21	265368906307	CONSOLE BODY REAR DARK GRAY SOFT FEEL	1		
-	265868906360	REAR COVER(DARK GREY)	1		
-	265868906346	SNAP COVER AUTO WINDING SWITCH	2		

CHASSIS TYPE: 374536; 374508; 374506



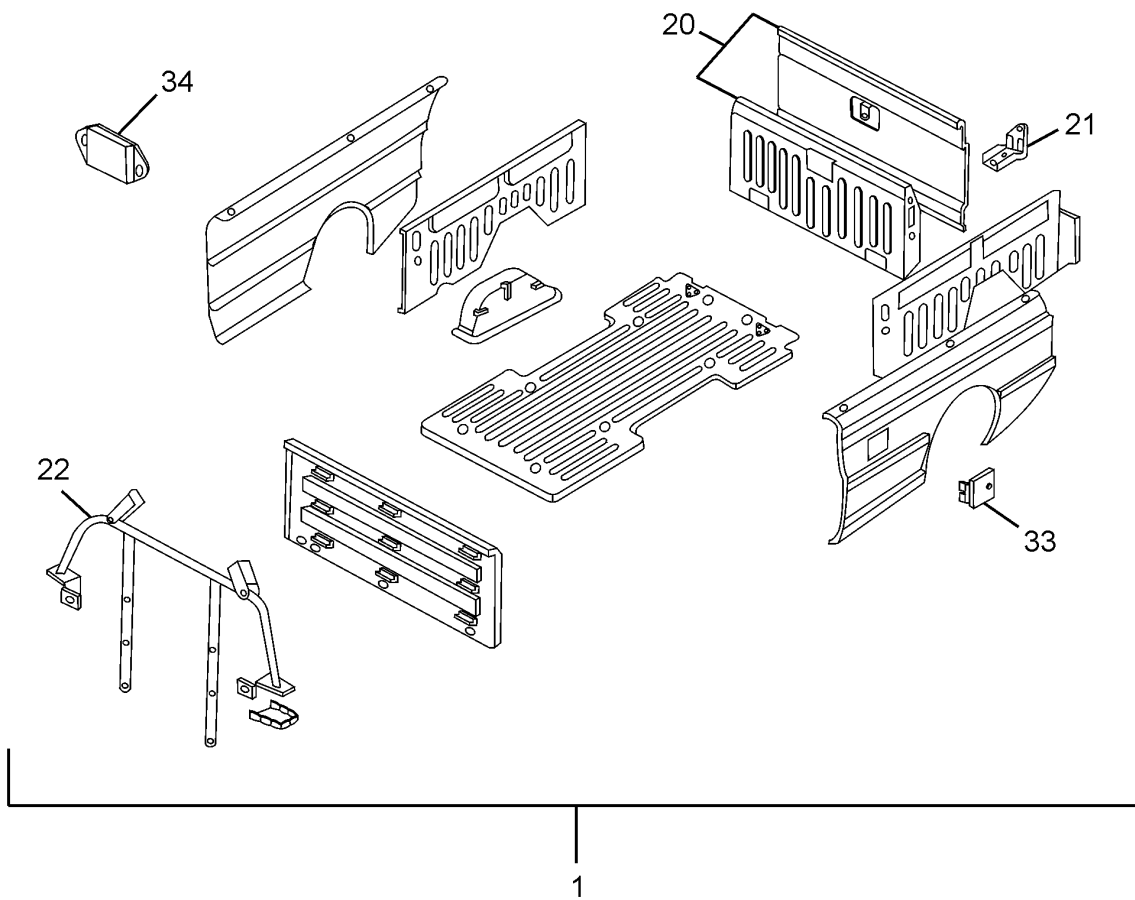
60.69.01A		INSIDE LINING		GROUP 69	
CHASSIS TYPE: 374536; 374508; 374506					
FIG. NO.	PART NUMBER	DESCRIPTION	QTY	REMARKS	
1	265469506381	MOULDED ROOF LINING	1		
2	283268800105	ASSY.MOULDED CARPET KIT LHD - SINGLE CAB	1		
-	283269206301	'A' PILLAR TRIM LH	1		
-	283269206302	'A' PILLAR TRIM RH	1		
-	283269206304	TRIM PANNEL INNER CORNER R/W LH	1		
-	283269206305	TRIM PANNEL INNER CORNER R/W RH	1		
-	283269206306	TRIM FOR PANNEL INNER BOTTOM (R/W)	1		

CHASSIS TYPE: 374557; 374558



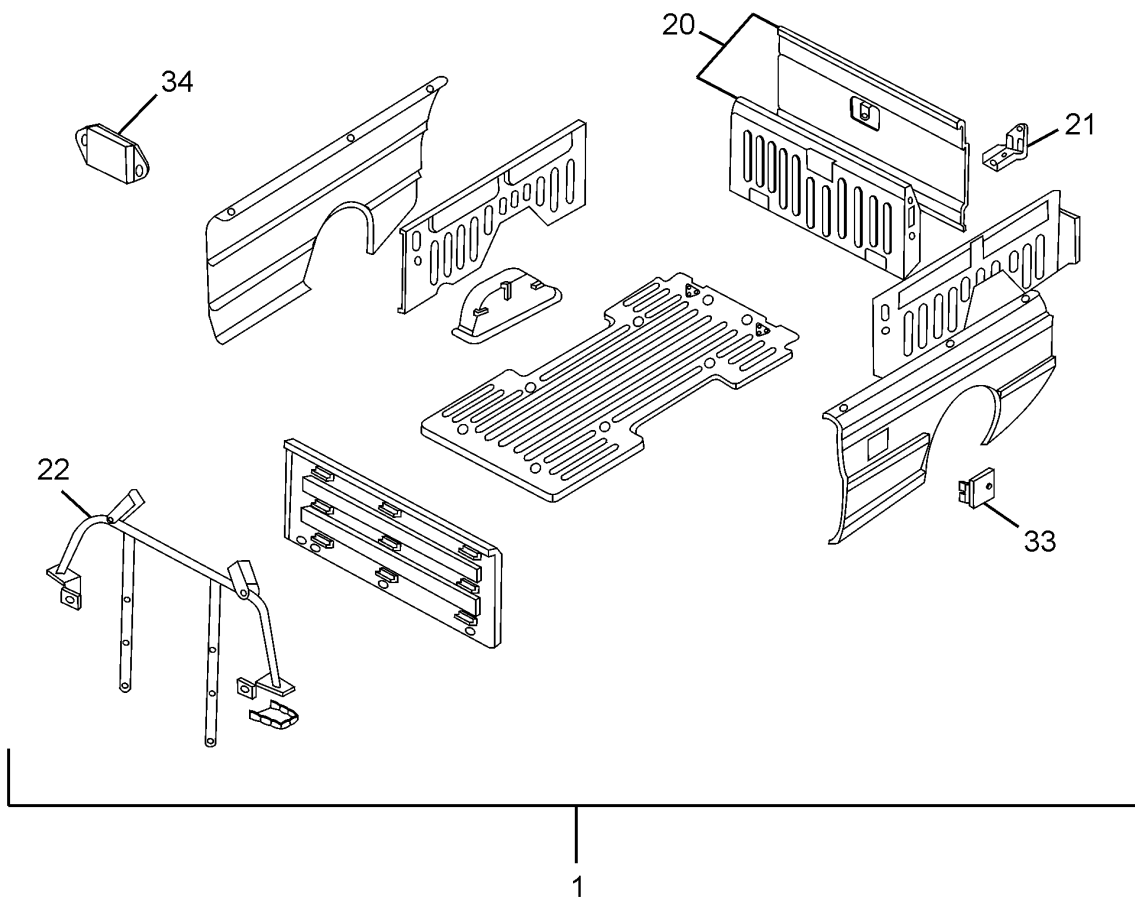
60.69.01B		INSIDE LINING		GROUP 69	
CHASSIS TYPE: 374557; 374558					
FIG. NO.	PART NUMBER	DESCRIPTION	QTY	REMARKS	
1	270169506304	MOULDED ROOF LINING	1		
2	283368800105	ASSY.MOULDED CARPET KIT LHD - DOUBLE CAB	1		
-	283269206301	'A' PILLAR TRIM LH	1		
-	283269206302	'A' PILLAR TRIM RH	1		
-	283369206301	TRIM BC POST LH	1		
-	283369206302	TRIM BC POST RH	1		
-	283369206303	TRIM FOR PANNEL INNER CORNER R/W LH	1		
-	283369206304	TRIM FOR PANNEL INNER CORNER R/W RH	1		
-	283269206306	TRIM FOR PANNEL INNER BOTTOM (R/W)	1		

CHASSIS TYPE: 374536; 374506



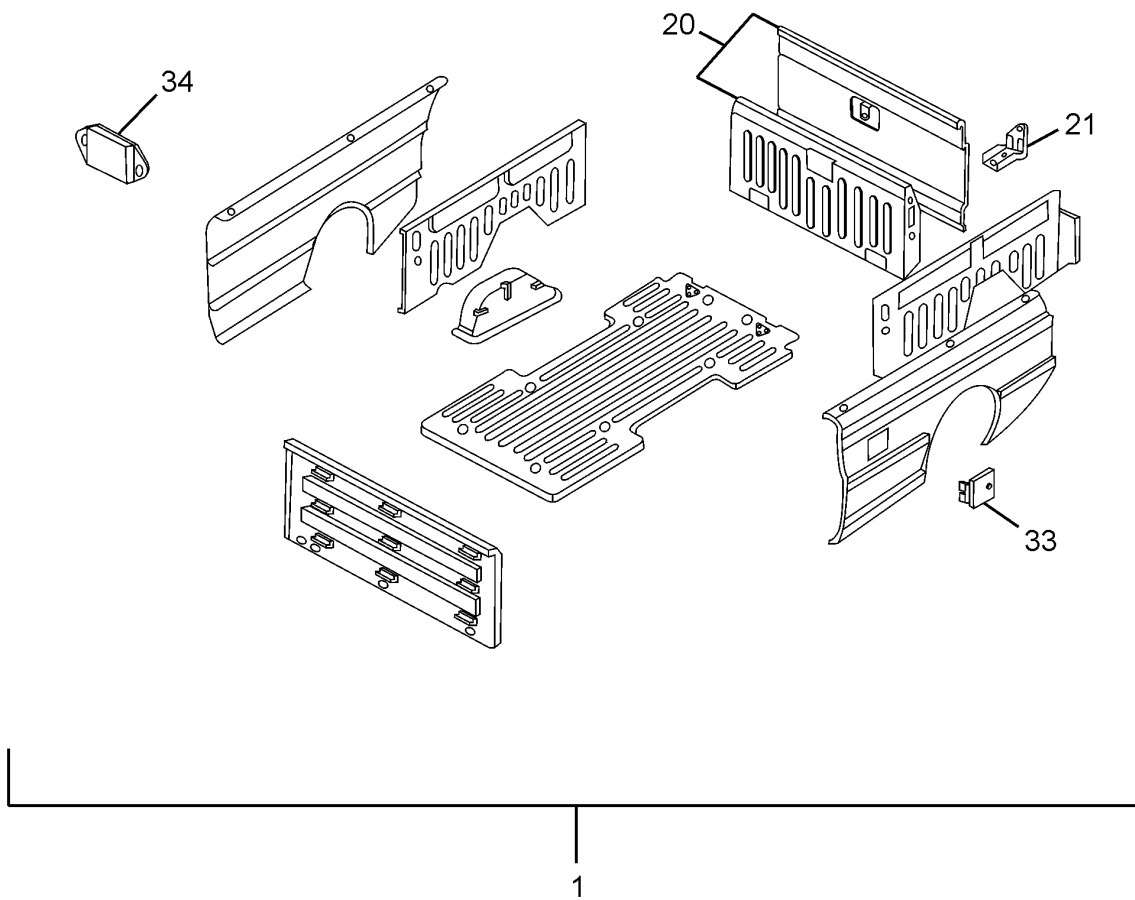
60.70.01		ASSY,LOAD BODY(SINGLE CAB)		GROUP 70	
CHASSIS TYPE: 374536; 374506					
FIG. NO.	PART NUMBER	DESCRIPTION	QTY	REMARKS	
	26537000Z129BF	ASSY.BODY COMPLETE (ARTIC WHITE)	1		
	26537000Z129BM	ASSY.BODY COMPLETE (FIJI BLUE)	1		
	26537000Z129D3	ASSY.BODY COMPLETE (ARTIC SILVER)	1		
	26537000Z129D5	ASSY.BODY COMPLETE (TIMBER GREEN)	1		
1	26537000Z130BF	ASSY.BODY COMPLETE PAINTED(ARTIC WHITE)	1		
1	26537000Z130BM	ASSY.BODY COMPLETE PAINTED(FIJI BLUE)	1		
1	26537000Z130D3	ASSY.BODY COMPLETE PAINTED(ARTIC SILVER)	1		
1	26537000Z130D5	ASSY.BODY COMPLETE PAINTED(TIMBER GREEN)	1		
	27217000Z126BF	ASSY.BODY COMPLETE (ARTIC WHITE)	1		
	27217000Z126BM	ASSY.BODY COMPLETE (FIJI BLUE)	1		
	27217000Z126D3	ASSY.BODY COMPLETE (ARTIC SILVER)	1		
	27217000Z126D5	ASSY.BODY COMPLETE (TIMBER GREEN)	1		
1	27217000Z127BF	ASSY.BODY COMPLETE PAINTED(ARTIC WHITE)	1		
1	27217000Z127BM	ASSY.BODY COMPLETE PAINTED(FIJI BLUE)	1		
1	27217000Z127D3	ASSY.BODY COMPLETE PAINTED(ARTIC SILVER)	1		
1	27217000Z127D5	ASSY.BODY COMPLETE PAINTED(TIMBER GREEN)	1		
20	26547040Z130	ASSY.TAIL GATE SHELL	1		
21	265470400123	ASSY.HINJE	2		
22	283270300101	ASSY.LOAD GUARD	1		
33	265960100177	ASSY LID	1		
	265370006301	LINER INNER LH (REAR WHEEL ARCH)	1		
	265370006302	LINER INNER RH (REAR WHEEL ARCH)	1		
	265370006318	MUDFLAP REAR WITH 'T'	2		
	265470006305	MUDGUARD LINER LH	1		
	265470006315	MUDGUARD LINER RH	1		

CHASSIS TYPE: 374536; 374506



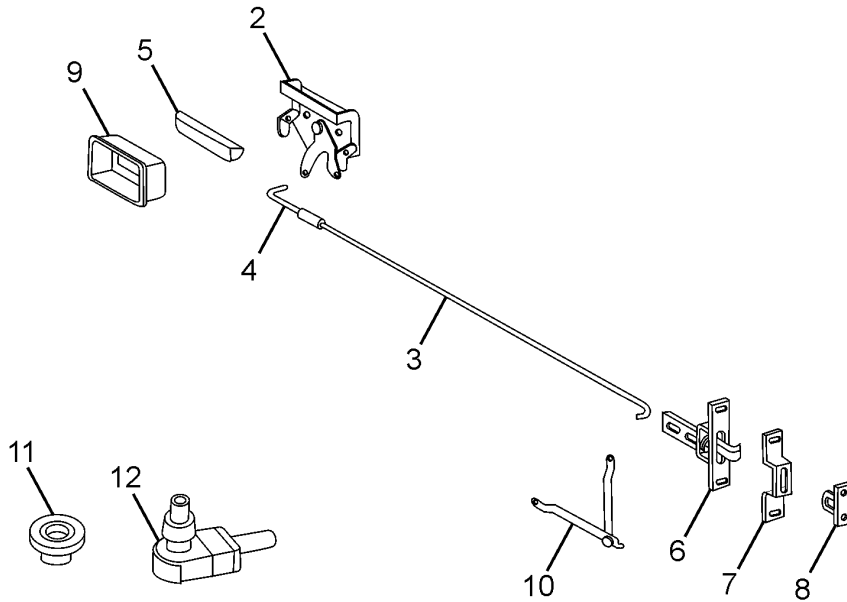
60.70.01		ASSY,LOAD BODY(SINGLE CAB)		GROUP 70	
CHASSIS TYPE: 374536; 374506					
FIG. NO.	PART NUMBER	DESCRIPTION	QTY	REMARKS	
34	283054409901	SQ.REFLEX REFLECTOR [RED][M/S.LUMAX]	2		
	265470006325	STICKER 'TATA' (TALIGATE) BLACK COLOUR	1		
	265470406306	COVER (T/G INNER PANEL CUTOUT)	8		

CHASSIS TYPE: 374557; 374558



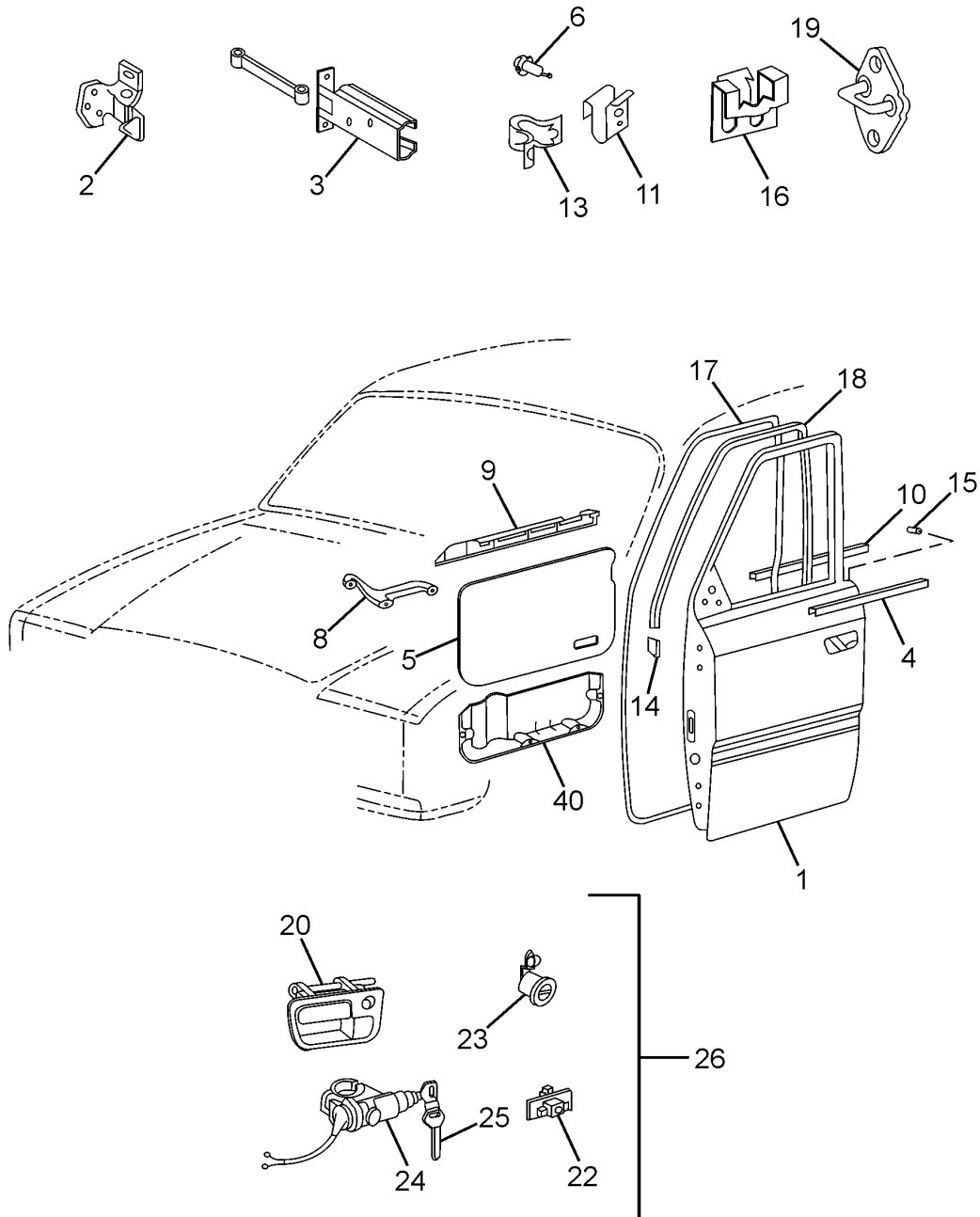
60.70.02		ASSY,LOAD BODY(CREW CAB)		GROUP 70	
CHASSIS TYPE: 374557; 374558					
FIG. NO.	PART NUMBER	DESCRIPTION	QTY	REMARKS	
-	27217000Z126BF	ASSY.BODY COMPLETE (ARTIC WHITE)	1		
-	27217000Z126BM	ASSY.BODY COMPLETE (FIJI BLUE)	1		
-	27217000Z126D3	ASSY.BODY COMPLETE (ARTIC SILVER)	1		
-	27217000Z126D5	ASSY.BODY COMPLETE (TIMBER GREEN)	1		
1	27217000Z127BF	ASSY.BODY COMPLETE PAINTED(ARTIC WHITE)	1		
1	27217000Z127BM	ASSY.BODY COMPLETE PAINTED(FIJI BLUE)	1		
1	27217000Z127D3	ASSY.BODY COMPLETE PAINTED(ARTIC SILVER)	1		
1	27217000Z127D5	ASSY.BODY COMPLETE PAINTED(TIMBER GREEN)	1		
20	26547040Z130	ASSY.TAIL GATE SHELL	1		
21	265470400123	ASSY.HINJE	2		
33	265960100177	ASSY LID	1		
-	265370006301	LINER INNER LH (REAR WHEEL ARCH)	1		
-	265370006302	LINER INNER RH (REAR WHEEL ARCH)	1		
-	265370006318	MUDFLAP REAR WITH 'T'	2		
-	265470006305	MUDGUARD LINER LH	1		
-	265470006315	MUDGUARD LINER RH	1		
34	283054409901	SQ.REFLEX REFLECTOR [RED][M/S.LUMAX]	2		
-	265470006325	STICKER 'TATA' (TALIGATE) BLACK COLOUR	1		
-	265470406306	COVER (T/G INNER PANEL CUTOUT)	8		

CHASSIS TYPE: 374536; 374557; 374558; 374506



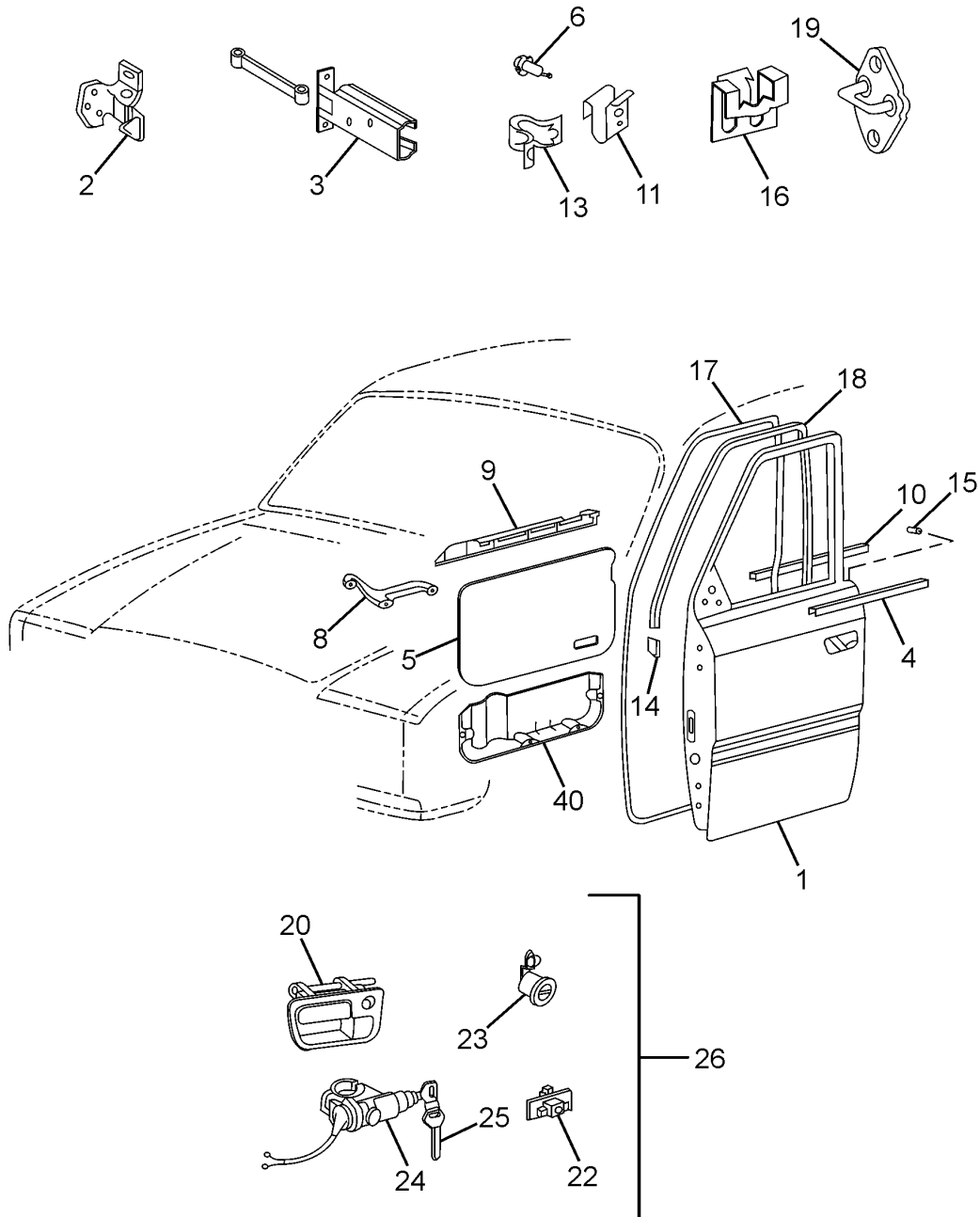
60.70.03		TAIL GATE LOCKING SYSTEM		GROUP 70	
CHASSIS TYPE: 374536; 374557; 374558; 374506					
FIG. NO.	PART NUMBER	DESCRIPTION	QTY	REMARKS	
2	265470400148	ASSY.CENTRE LATCH [WITHOUT HANDLE] T/G.	1		
3	265470400124	ASSY,PULL ROD	2		
4	265470406002	PULL ROD HOOK	2		
5	265470405602	HANDLE(TAIL GATE CENTRE LATCH)	1		
6	265470400118	ASSY PLUNGER COMPLETE	2		
7	265470408221	STRIKING STRAP	2		
8	265470400122	ASSY STRIKER(TAIL GATE LATCH)	2		
9	265470406303	COVER (TAIL GATE CENTRE LATCH)	1		
10	265470400133	ASSY,ROPE RH	1		
10	265470400125	ASSY,ROPE LH	1		
11	265470408603	SPACER OUTER	2		
12	265472306303	NYLON CLIP(LOCK LINKS)	2		

CHASSIS TYPE: ALL



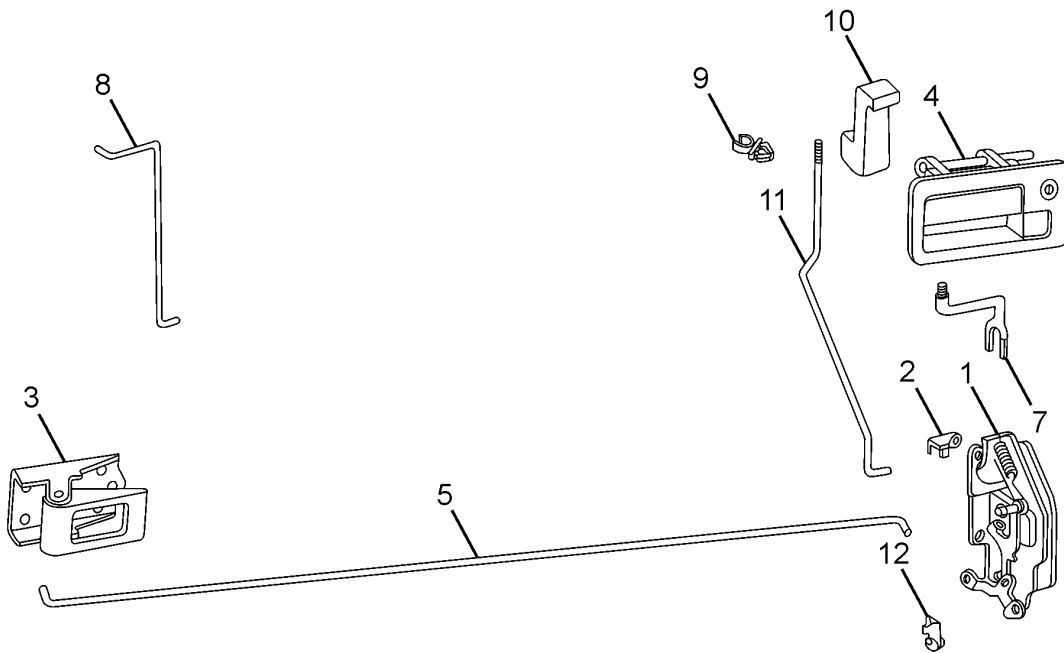
60.72.01		DOOR		GROUP 72	
CHASSIS TYPE: ALL					
FIG. NO.	PART NUMBER	DESCRIPTION	QTY	REMARKS	
1	28327220Z109	ASSY. DOOR SHELL LH	1		
1	28327220Z110	ASSY. DOOR SHELL RH	1		
2	265872300114	ASSY. DOOR HINGE LH	2		
2	265872300115	ASSY. DOOR HINGE RH	2		
3	265872300125	ASSY. DOOR CHECK FRONT	2		
4	265472500137	ASSY. WEATHER STRIP OUTER FRONT LH	1		
4	265472500138	ASSY. WEATHER STRIP OUTER FRONT RH	1		
5	283272700107	ASSY. PADDING DOOR LH	1		
5	283272700108	ASSY. PADDING DOOR RH	1		
6	265472706307	ASSY. DOOR PAD CLIP (BOTTOM)	AR		
6	265472706310	ASSY. DOOR PAD CLIP (TOP)	AR		
8	265472310126	ASSY.DOOR PULL LH (BLACK)	1		
8	265472310127	ASSY.DOOR PULL RH (BLACK)	1		
9	265872706309	COVER PADDING RH	1		
9	265872706308	COVER PADDING LH	1		
10	265472500135	ASSY. WEATHER STRIP INNER FRONT	2		
11	265872508201	SPRING CLIP (INNER WEATHER STRIP)	10		
13	265469504301	SPRING CLIP (INNER LINING)	12		
14	265472306324	HOLDER	2		
15	265481100186	ASSY. DOOR STOPPER	2		
16	265472508201	CLIP (WEATHER STRIP OUTER)	10		
17	283381100123	ASSY.SEALING INNER LH FRONT DOOR	1		
17	283381100124	ASSY.SEALING INNER RH FRONT DOOR	1		
18	265872302502	DOOR SEALING OUTER FRONT LH (ON DOOR)	1		
18	265872302503	DOOR SEALING OUTER FRONT RH (ON DOOR)	1		
19	265472300212	ASSY. DOOR STRIKER	2		
40	283272706301	MAGZINE POCKET LH, BLACK	1		
40	283272706302	MAGZINE POCKET RH, BLACK	1		
26	265472310118	ASSY. DOOR LOCK KIT WITH STEERING LOCK CONSISTING OF:	1		
20		ASSY. OUTER DOOR HANDLE LH	1		
20		ASSY. OUTER DOOR HANDLE RH	1		
22		ASSY. GLOVE BOX LOCK	1		

CHASSIS TYPE: ALL



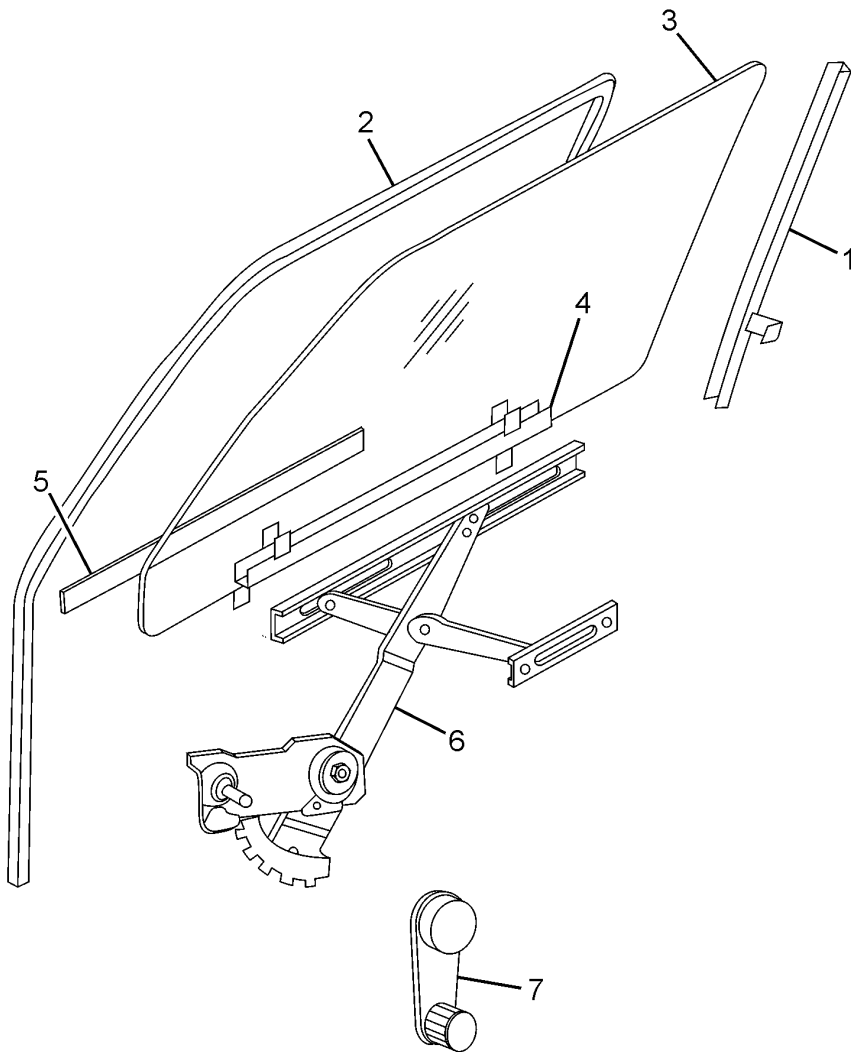
60.72.01		DOOR		GROUP 72	
CHASSIS TYPE: ALL					
FIG. NO.	PART NUMBER	DESCRIPTION	QTY	REMARKS	
23		FUEL LID LOCK ASSY.	1		
24		IGNITION CUM STEERING LOCK (SWITCH AUTO)	1		
25		ASSY. KEY	1		

CHASSIS TYPE: ALL



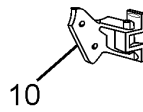
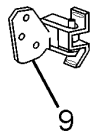
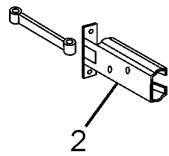
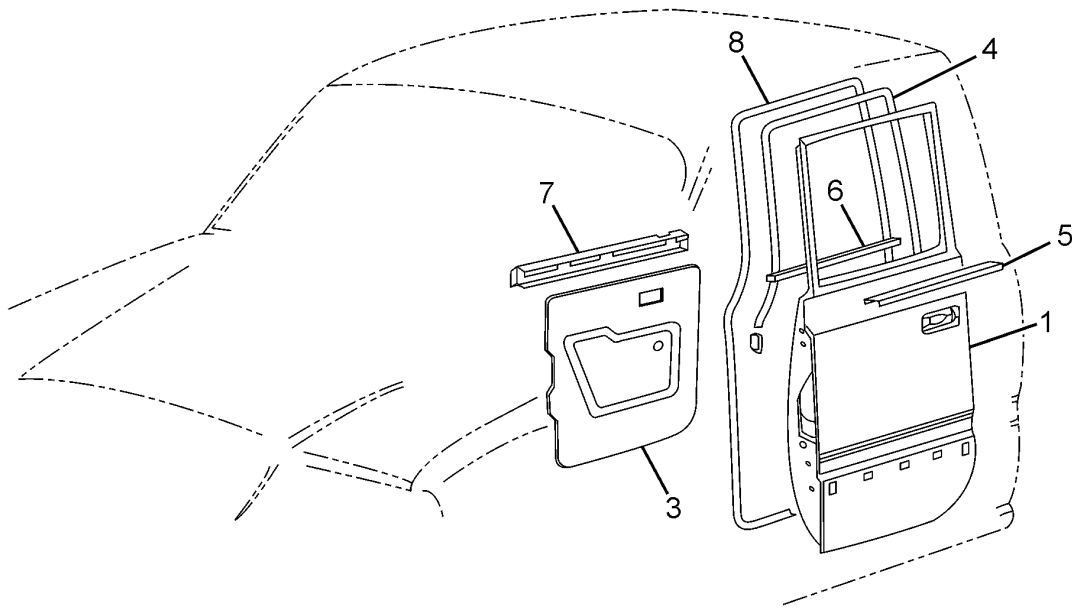
60.72.02		DOOR(LOCKING SYSTEM)		GROUP 72	
CHASSIS TYPE: ALL					
FIG. NO.	PART NUMBER	DESCRIPTION	QTY	REMARKS	
1	265872300108	ASSY. DOOR LOCK COMPLETE LH	1		
1	265872300107	ASSY. DOOR LOCK COMPLETE RH	1		
2	265472306313	SNAP CONNECTOR	6		
3	269872300149	ASSY. INNER HANDLE	2		
4		ASSY. OUTER DOOR HANDLE LH	1	- REFER LOCK KIT IN TABLE 60.72.01	
4		ASSY. OUTER DOOR HANDLE RH	1		
5	265872306001	LINK (INNER HANDLE)	2		
7	265472306005	LINK (DOOR LOCK HANDLE OUTER)	2		
8	265472306006	LINK RH	1		
10	265872300116	ASSY. POP UP KNOB	2		
11	283272300101	LINK POP UP KNOB LH	1		
11	283272300102	LINK POP UP KNOB RH	1		
12	265472306323	SNAP CONNECTOR LH	1		
-	283272300103	ASSY.LINK	2		

CHASSIS TYPE: ALL



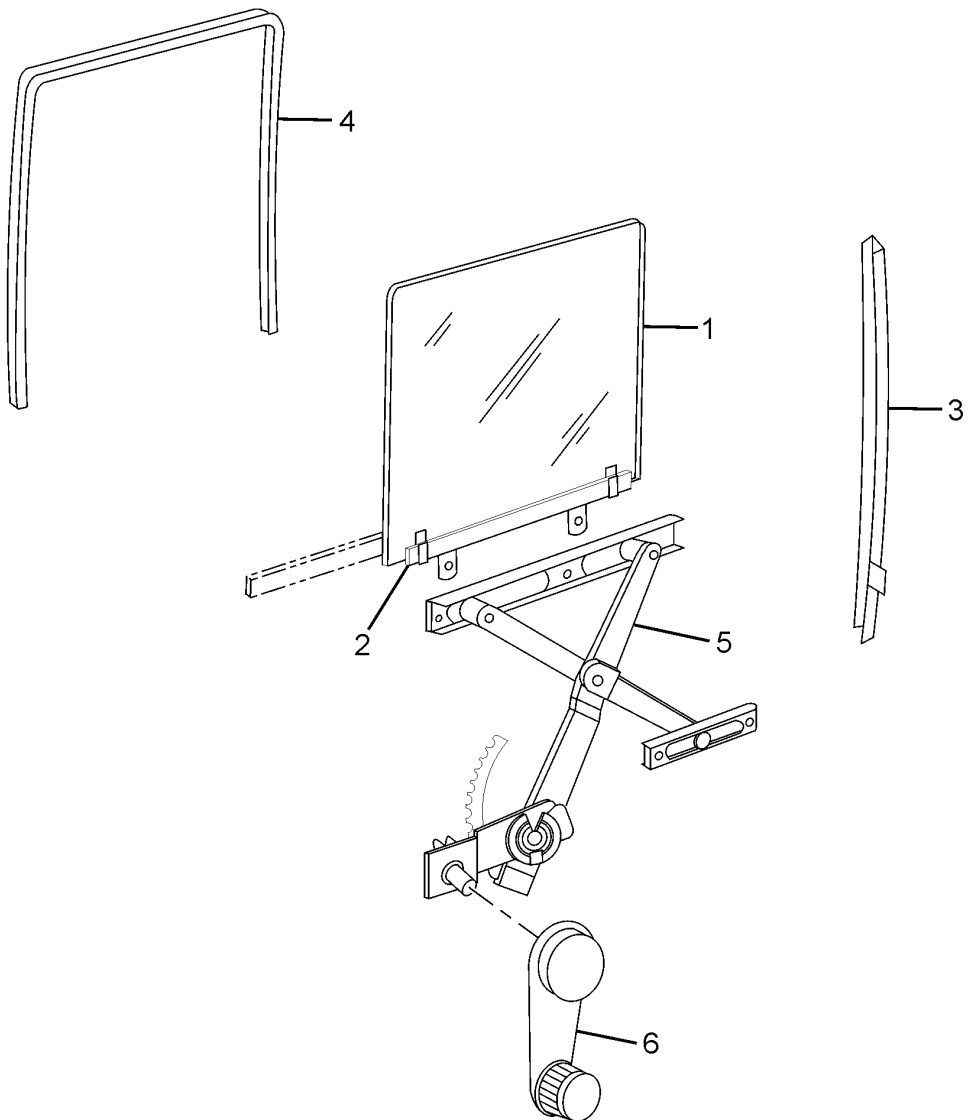
60.72.03		DOOR GLASS AND WINDOW REGULATOR		GROUP 72	
CHASSIS TYPE: ALL					
FIG. NO.	PART NUMBER	DESCRIPTION	QTY	REMARKS	
1	265472200114	ASSY. GUIDE CHANNEL LH (DOOR GLASS)	1		
1	265472200115	ASSY. GUIDE CHANNEL RH (DOOR GLASS)	1		
2	265472502501	VELVET CHANNEL	2		
3	265472502307	REGUALATING GLASS FRONT DOOR LH	1		
3	265472502308	REGUALATING GLASS FRONT DOOR RH	1		
4	265472500115	ASSY. DOOR GLASS HOLDER LH	1		
4	265472500116	ASSY. DOOR GLASS HOLDER RH	1		
5	265472506312	BEADING (DOOR GLASS HOLDER)	2		
6	265472500128	ASSY. WINDING REGULATOR LH	1		
6	265472500127	ASSY. WINDING REGULATOR RH	1		
7	283272300105	ASSY. HANDLE (FOR WINDOW WINDING) BLACK	2		

CHASSIS TYPE: 374557; 374558



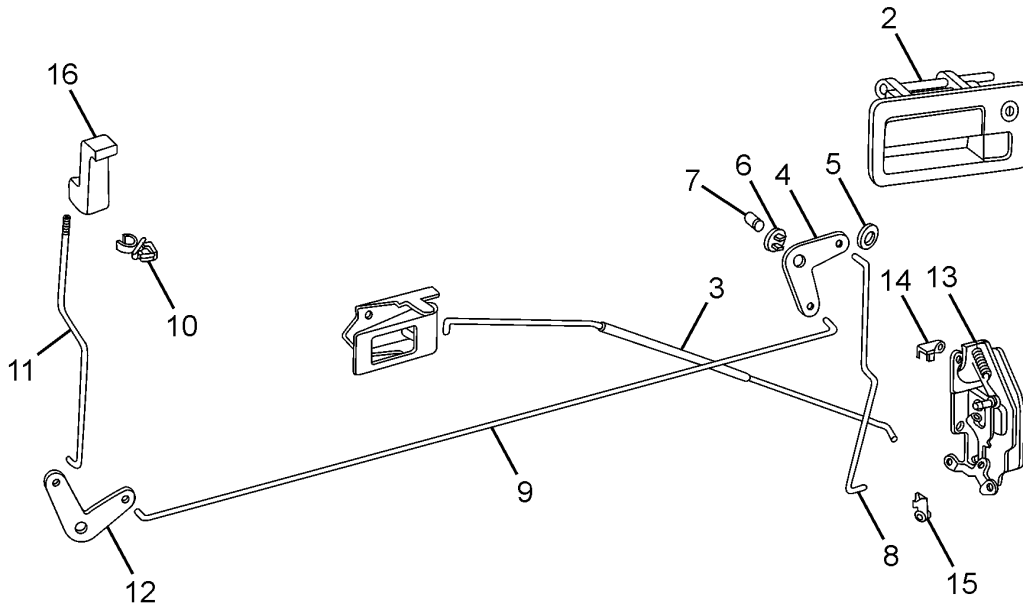
60.73.01		REAR DOOR(CREW CAB)		GROUP 73	
CHASSIS TYPE: 374557; 374558					
FIG. NO.	PART NUMBER	DESCRIPTION	QTY	REMARKS	
1	27017320Z101	ASSY. DOOR SHELL LH	1		
1	27017320Z102	ASSY. DOOR SHELL RH	1		
2	270173300110	ASSY. DOOR CHECK REAR	1		
3	283373700101	ASSY PADDING REAR DOOR LH	1		
3	283373700102	ASSY PADDING REAR DOOR RH	1		
4	270173300101	ASSY. OUTER SEALING LH (REAR DOOR)	1		
4	270173300102	ASSY. OUTER SEALING RH (REAR DOOR)	1		
5	270173500109	ASSY. WEATHER STRIP OUTER LH (REAR DOOR)	1		
5	270173500110	ASSY. WEATHER STRIP OUTER RH (REAR DOOR)	1		
6	270173500107	ASSY. WEATHER STRIP LH (REAR DOOR) INNER	1		
6	270173500108	ASSY. WEATHER STRIP RH (REAR DOOR) INNER	1		
7	270173706306	COVER PADDING RH (DARKER GRAY)	1		
7	270173706305	COVER PADDING LH (DARKER GRAY)	1		
8	283381100118	ASSY. INNER SEALING (REAR DOOR) LH	1		
8	283381100119	ASSY. INNER SEALING (REAR DOOR) RH	1		
9	265873300191	ASSY. DOOR HINGE BOTTOM LH	1		
9	265873300192	ASSY. DOOR HINGE BOTTOM RH	1		
10	265873300187	ASSY. DOOR HINGE TOP LH	1		
10	265873300188	ASSY. DOOR HINGE TOP RH	1		
—	270173300107	ASSY DOOR CHECK REAR	1		

CHASSIS TYPE: 374557; 374558



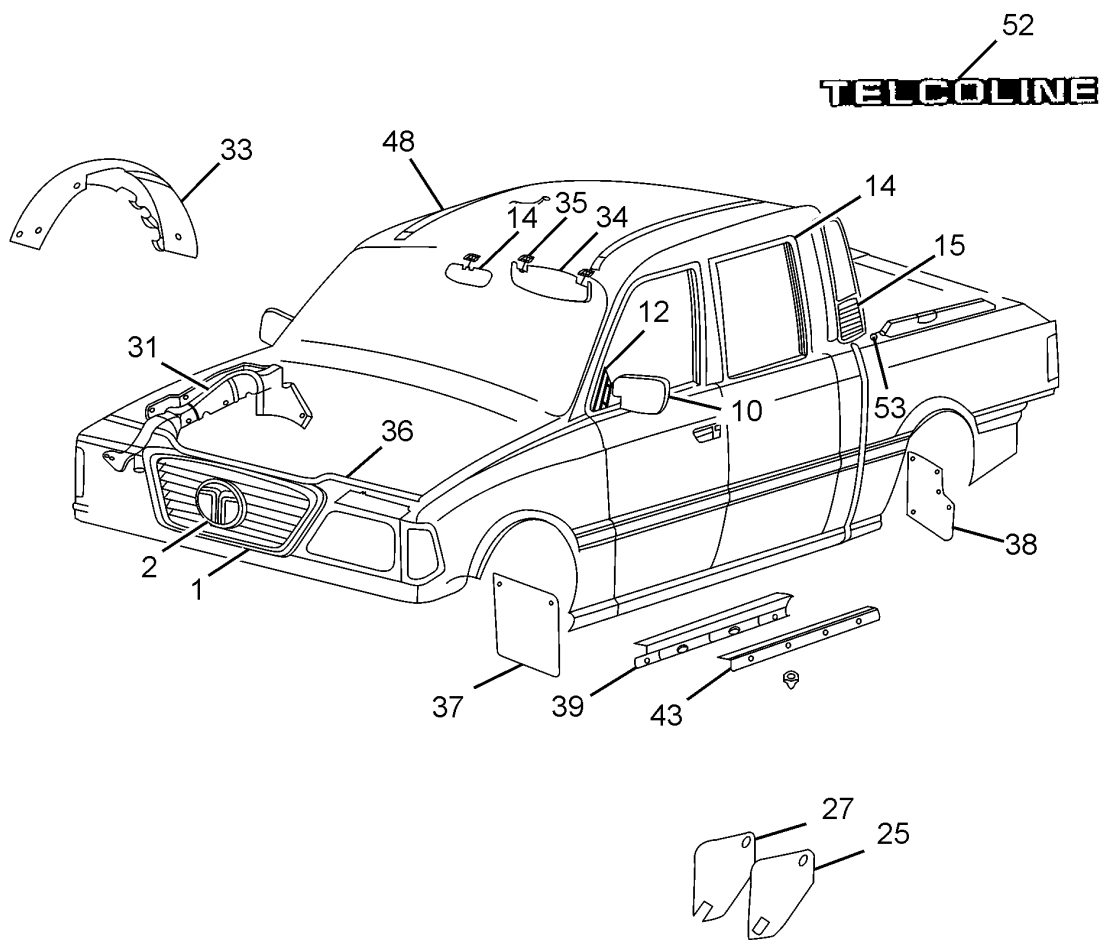
60.73.02		REAR DOORGLASS AND WINDOW REGULATOR(CREW		GROUP 73	
CHASSIS TYPE: 374557; 374558					
FIG. NO.	PART NUMBER	DESCRIPTION	QTY	REMARKS	
1	270173502303	REGULATING GLASS TINTED- REAR DOOR LH	1		
1	270173502304	REGULATING GLASS TINTED- REAR DOOR RH	1		
2	265873500131	ASSY. DOOR GLASS HOLDER LH	1		
2	265873500132	ASSY. DOOR GLASS HOLDER RH	1		
3	270173200109	ASSY. GUIDE CHANNEL LH	1		
3	270173200110	ASSY. GUIDE CHANNEL RH	1		
4	270173502503	VELVET CHANNEL	1		
5	265873500153	ASSY. WINDOW REGULATOR LH (MANUAL)	1		
5	265873500154	ASSY. WINDOW REGULATOR RH (MANUAL)	1		
6	283272300105	HANDLE WINDOW REGULATOR BLACK	1		

CHASSIS TYPE: 374557; 374558



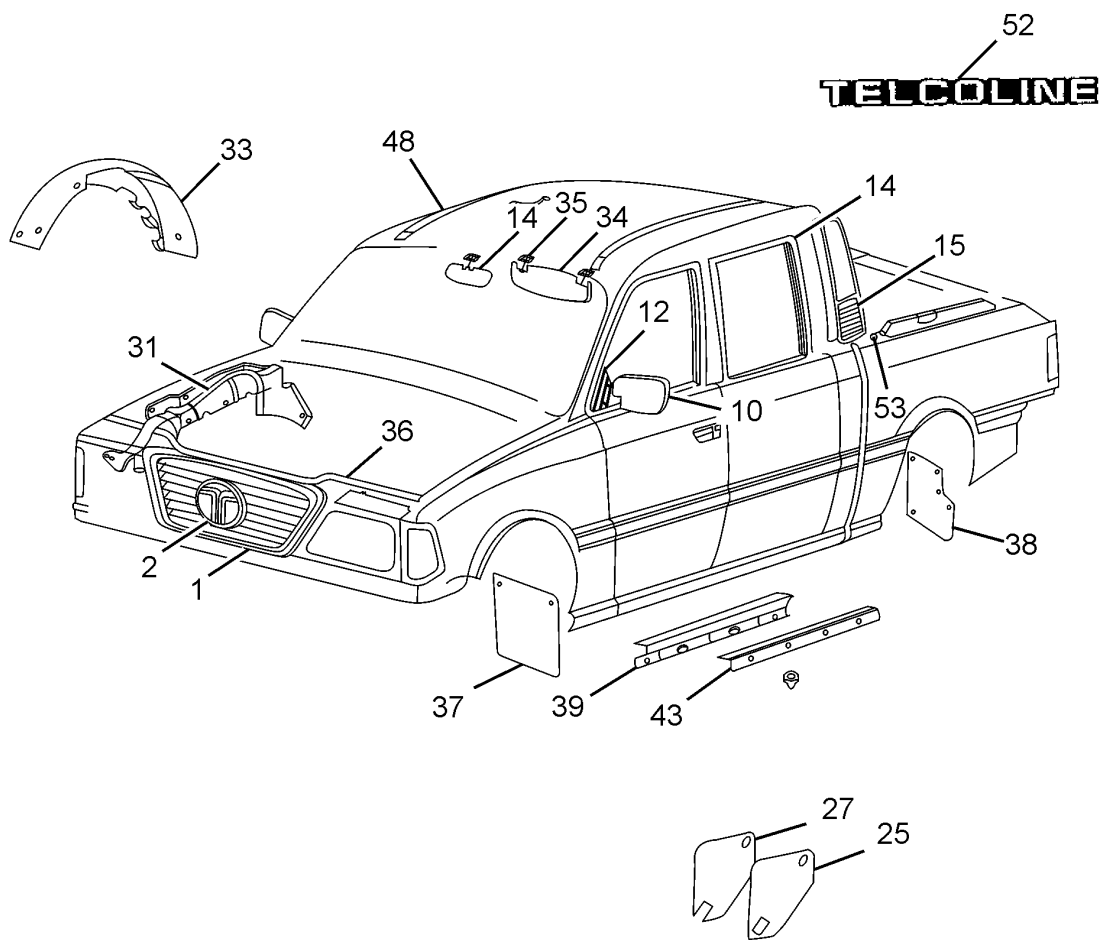
60.73.03		REAR DOOR LOCKING SYSTEM		GROUP 73	
CHASSIS TYPE: 374557; 374558					
FIG. NO.	PART NUMBER	DESCRIPTION	QTY	REMARKS	
2	270173300118	ASSY. OUTER HANDLE DOOR LH (REAR DOOR)	1		
2	270173300119	ASSY. OUTER DOOR HANDLE RH (REAR DOOR)	1		
3	270173306003	PULL ROD LH (INNER HANDLE)	1		
3	270173306004	PULL ROD RH (INNER HANDLE)	1		
4	265873306002	BELL CRANK	2		
5	265873306302	BUSH (BELL CRANK POP UP KNOB)	2		
6	265873306303	BUTTON (BELL CRANK POP UP KNOB)	2		
7	265873306301	PIN [BELL CRANK POP UP KNOB]	2		
8	283373300101	ASSY. LINK LH (BELL CRANK)	1		
8	283373300102	ASSY. LINK LH (BELL CRANK)	1		
9	270173306005	PULL ROD LH (POP-UP KNOB)	1		
9	270173306006	PULL ROD RH (POP-UP KNOB)	1		
10	265873306304	HOLDER (POP-UP KNOB)	2		
11	270173306009	LINK (POP-UP KNOB)	1		
12	265873306002	BELL CRANK FRONT (POP UP KNOB)	2		
13	265472310120	ASSY. DOOR LOCK COMPT LH	1		
13	265472310119	ASSY. DOOR LOCK COMPT RH	1		
14	265472306323	SNAP CONNECTOR LH	1		
15	265472306313	SNAP CONNECTOR RH	1		
16	265872300116	ASSY. POP-UP KNOB DARKER GRAY	1		

CHASSIS TYPE: 374536; 374508; 374506



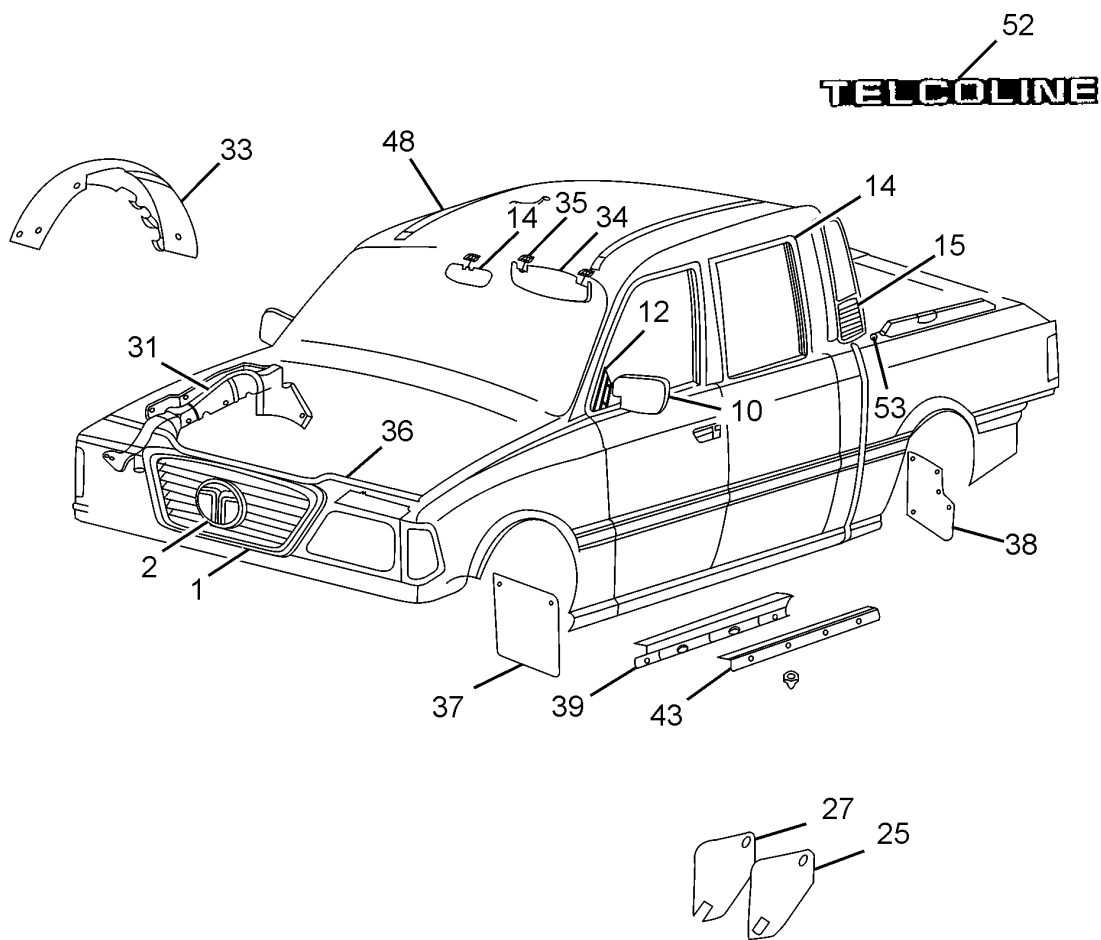
60.81.01A		INTERNAL AND EXTERNAL FITMENTS-1		GROUP 81	
CHASSIS TYPE: 374536; 374508; 374506					
FIG. NO.	PART NUMBER	DESCRIPTION	QTY	REMARKS	
1	265488806302	FRONT GRILL	1		
2	269888800107	ASSY T EMBLEM	1		
10	283281100106	ASSY EXT.REAR VIEW MIRROR LH LHD (PLAIN)	1		
10	283281100107	ASSY EXT.REAR VIEW MIRROR LH LHD(SPHERIC	1		
12	283281100141	ASSY.COVER INNER LH (DARK GRAY) OUTSIDE	1		
12	283281100142	ASSY.COVER INNER RH (DARK GRAY) OUTSIDE	1		
-	283281108601	SPACER (REAR VIEW MIRROR)	3		
14	265481110104	ASSY INTERNAL REAR VIEW MIRROR (GREY)	1		
15	265481100103	ASSY PLASTIC GRILL OUTER (REAR)LH SINGLE	1		
15	265481100104	ASSY PLASTIC GRILL OUTER (REAR)RH SINGLE	1		
25	265481100175	ASSY COVER (SUPPORT PANEL) LH LHD	1		
25	265481100134	ASSY COVER (SUPPORT PANEL) RH LHD	1		
25	283381100130	ASSY.COVER LHD (SUPPORT PANEL)	1		
27	265481107702	SEALING COVER (SUPPORT PANEL)LH LHD	1		
31	266081106307	MUDGUARD LINER INNER LH FRONT WHEEL ARCH	1		
31	265381106309	MUDGUARD LINER INNER RH FRONT WHEEL ARCH	1		
33	265981106315	MUDGUARD LINER LH (FRONT OUTER)	1		
33	265981106316	MUDGUARD LINER RH (FRONT OUTER)	1		
34	265481110105	ASSY SUNVISOR LH LHD LIGHT GREY	1		
34	265481110106	ASSY SUNVISOR RH LHD LIGHT GREY	1		
35	265481108238	CLAMP LH (SUN VISOR)	1		
35	265481108237	CLAMP RH (SUN VISOR)	1		
37	266081106308	MUD FLAP FRONT LH	1	- OPTIONAL.	
37	266081106314	MUD FLAP FRONT LH	1	- OPTIONAL.	
37	266081106309	MUD FLAP FRONT RH	1	- OPTIONAL.	

CHASSIS TYPE: 374536; 374508; 374506



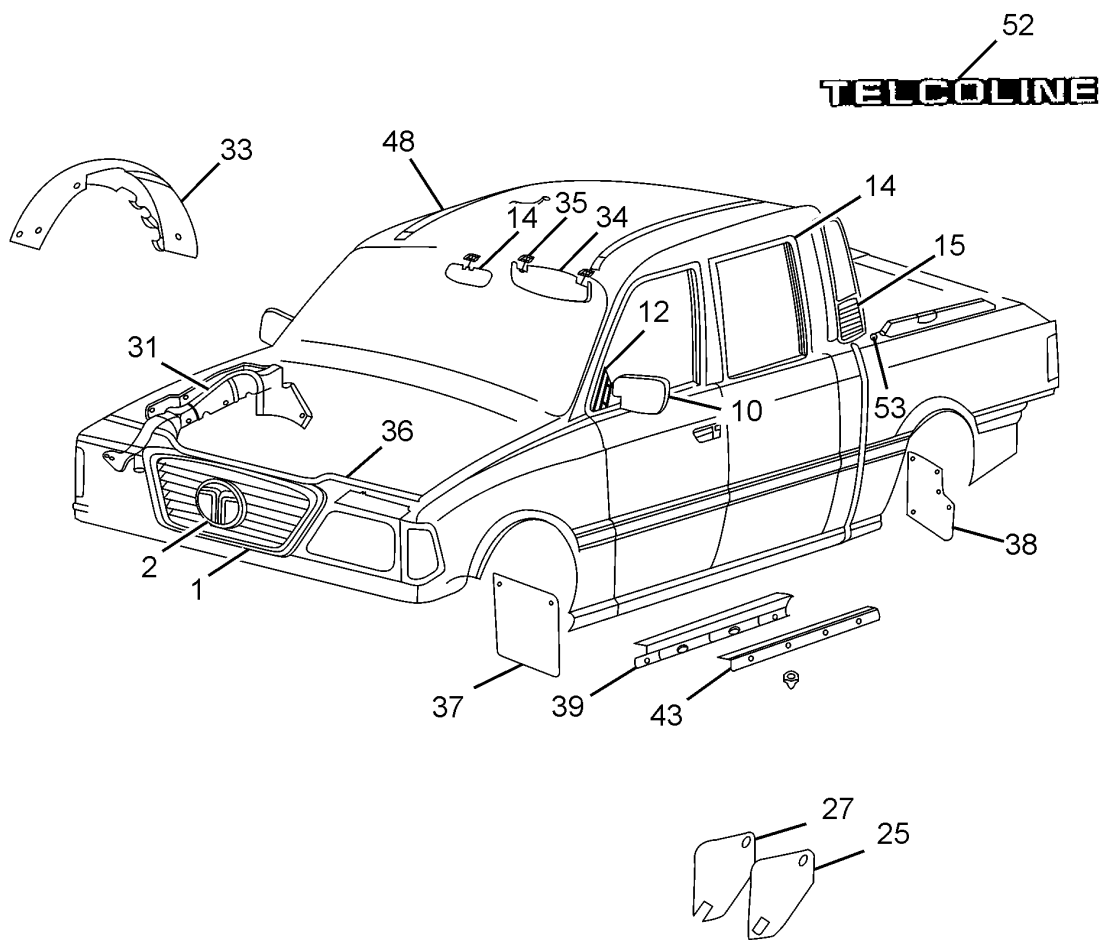
60.81.01A		INTERNAL AND EXTERNAL FITMENTS-1		GROUP 81	
CHASSIS TYPE: 374536; 374508; 374506					
FIG. NO.	PART NUMBER	DESCRIPTION	QTY	REMARKS	
37	266081106315	MUD FLAP FRONT RH	1	- OPTIONAL.	
38	265370006303	MUD FLAP REAR	2		
39	265481106358	SIDE BEADING CARPET	2		
43	283381106301	COVER SILL FRONT (BLACK)	2		
48	267869500101	ASSY GRAB HANDLE (COLLAPSIBLE)	1	- OPTIONAL.	
48	267869500102	ASSY GRAB HANDLE (COLLAPSIBLE)	1	- OPTIONAL.	
52	265470000186	ASSY 'TELCOLINE' MASCOT	1		
-	265470000187	ASSY 'TATA TL' MASCOT	1		
-	269881900102	ASSY DOOR CLIP	8		

CHASSIS TYPE: 374557; 374558



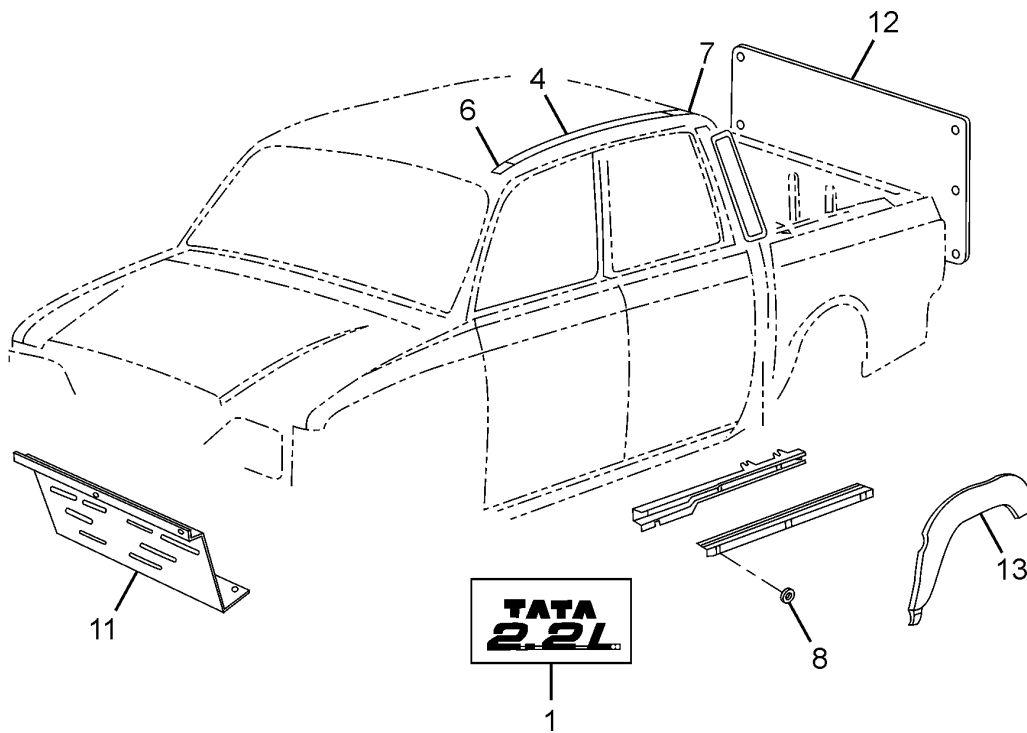
60.81.01B		INTERNAL AND EXTERNAL FITMENTS-1		GROUP 81	
CHASSIS TYPE: 374557; 374558					
FIG. NO.	PART NUMBER	DESCRIPTION	QTY	REMARKS	
1	265488806302	FRONT GRILL	1		
2	269888800107	ASSY T EMBLEM	1		
10	283281100106	ASSY EXT.REAR VIEW MIRROR LH LHD (PLAIN)	1		
10	283281100107	ASSY EXT.REAR VIEW MIRROR LH LHD(SPHERIC	1		
12	283281100141	ASSY.COVER INNER LH (DARK GRAY) OUTSIDE	1		
12	283281100142	ASSY.COVER INNER RH (DARK GRAY) OUTSIDE	1		
-	283281108601	SPACER (REAR VIEW MIRROR)	3		
14	265481110104	ASSY INTERNAL REAR VIEW MIRROR (GREY)	1		
15	270181100102	ASSY PLASTIC GRILL OUTER (REAR)LH CREW	1		
15	270181100103	ASSY PLASTIC GRILL OUTER (REAR)RH CREW	1		
25	265481100175	ASSY COVER (SUPPORT PANEL) LH LHD	1		
25	265481100134	ASSY COVER (SUPPORT PANEL) RH LHD	1		
25	283381100130	ASSY.COVER LHD (SUPPORT PANEL)	1		
27	265481107702	SEALING COVER (SUPPORT PANEL)LH LHD	1		
31	266081106307	MUDGUARD LINER INNER LH FRONT WHEEL ARCH	1		
31	265381106309	MUDGUARD LINER INNER RH FRONT WHEEL ARCH	1		
33	265981106315	MUDGUARD LINER LH (FRONT OUTER)	1		
33	265981106316	MUDGUARD LINER RH (FRONT OUTER)	1		
34	265481110105	ASSY SUNVISOR LH LHD LIGHT GREY	1		
34	265481110106	ASSY SUNVISOR RH LHD LIGHT GREY	1		
35	265481108238	CLAMP LH (SUN VISOR)	1		
35	265481108237	CLAMP RH (SUN VISOR)	1		
37	266081106308	MUD FLAP FRONT LH	1	- OPTIONAL.	
37	266081106314	MUD FLAP FRONT LH	1	- OPTIONAL.	
37	266081106309	MUD FLAP FRONT RH	1	- OPTIONAL.	

CHASSIS TYPE: 374557; 374558



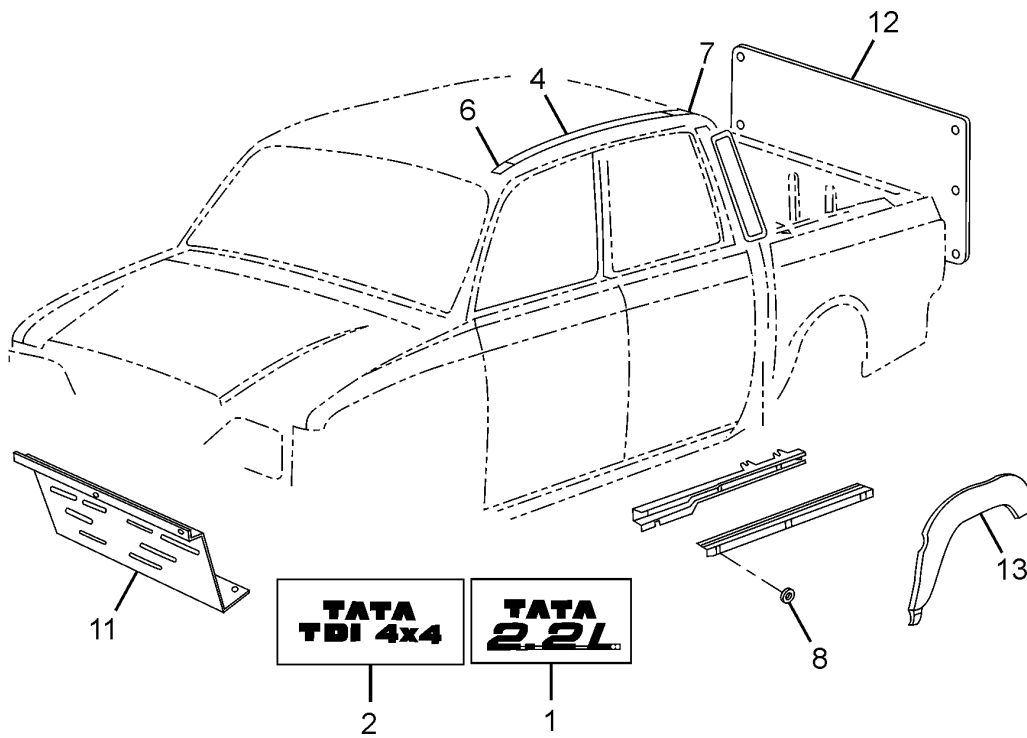
60.81.01B		INTERNAL AND EXTERNAL FITMENTS-1		GROUP 81	
CHASSIS TYPE: 374557; 374558					
FIG. NO.	PART NUMBER	DESCRIPTION	QTY	REMARKS	
37	266081106315	MUD FLAP FRONT RH	1	- OPTIONAL.	
38	265370006303	MUD FLAP REAR	2		
39	265481106358	SIDE BEADING CARPET	2		
43	283381106301	COVER SILL FRONT (BLACK)	2		
48	267869500101	ASSY GRAB HANDLE (COLLAPSIBLE)	1	- OPTIONAL.	
48	267869500102	ASSY GRAB HANDLE (COLLAPSIBLE)	1	- OPTIONAL.	
52	265470000186	ASSY 'TELCOLINE' MASCOT	1		
-	265470000187	ASSY 'TATA TL' MASCOT	1		
-	269881900102	ASSY DOOR CLIP	8		

CHASSIS TYPE: 374508; 374506



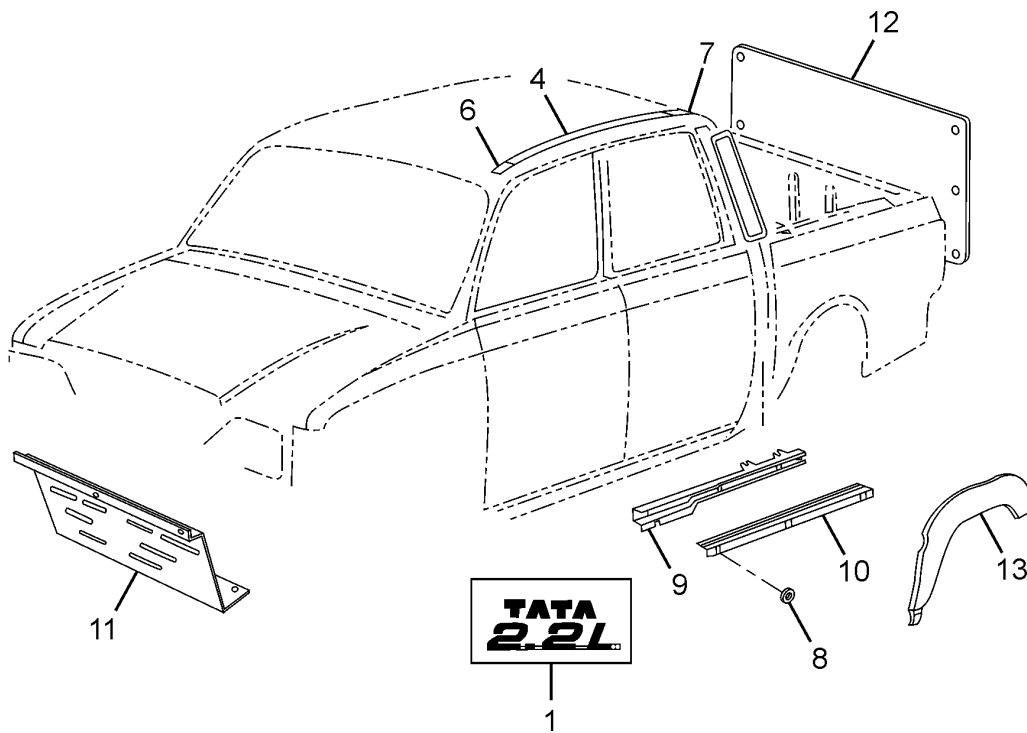
60.81.02A		INTERNAL AND EXTERNAL FITMENT		GROUP 81
CHASSIS TYPE: 374508; 374506				
FIG. NO.	PART NUMBER	DESCRIPTION	QTY	REMARKS
1	283381800102	ASSY. 'TATA 2.2L' MASCOT	2	
4	265481106360	ROOF BEADING - SINGLE CAB	2	
6	265881106316	END CAP LH FRONT (ROOF BEADING)	1	
6	265881106315	END CAP RH FRONT (ROOF BEADING)	1	
7	265481106361	END CAP REAR LH (ROOF BEADING)	1	
7	265481106362	END CAP REAR RH (ROOF BEADING)	1	
8	265188806307	RUBBER WASHER	2	
11	282631708202	FRONT SKIRT (SHHET METAL)	1	
12	283269506303	ASSY.REAR WALL PADDING (GRAY)	1	
13	265381106307	FENDER EXTENSION FRONT LH - GREY	1	
13	265381106308	FENDER EXTENSION FRONT RH - GREY	1	
-	265981116352	FENDER EXTENSION BEADING (FRONT)	2	
-	265370006314	FENDER EXTENSION LH (REAR) - GREY	1	
-	265370006315	FENDER EXTENSION RH (REAR) - GREY	1	
-	269969100102	ASSY CABIN AIR EXTRACTOR VALVE	2	

CHASSIS TYPE: 374536



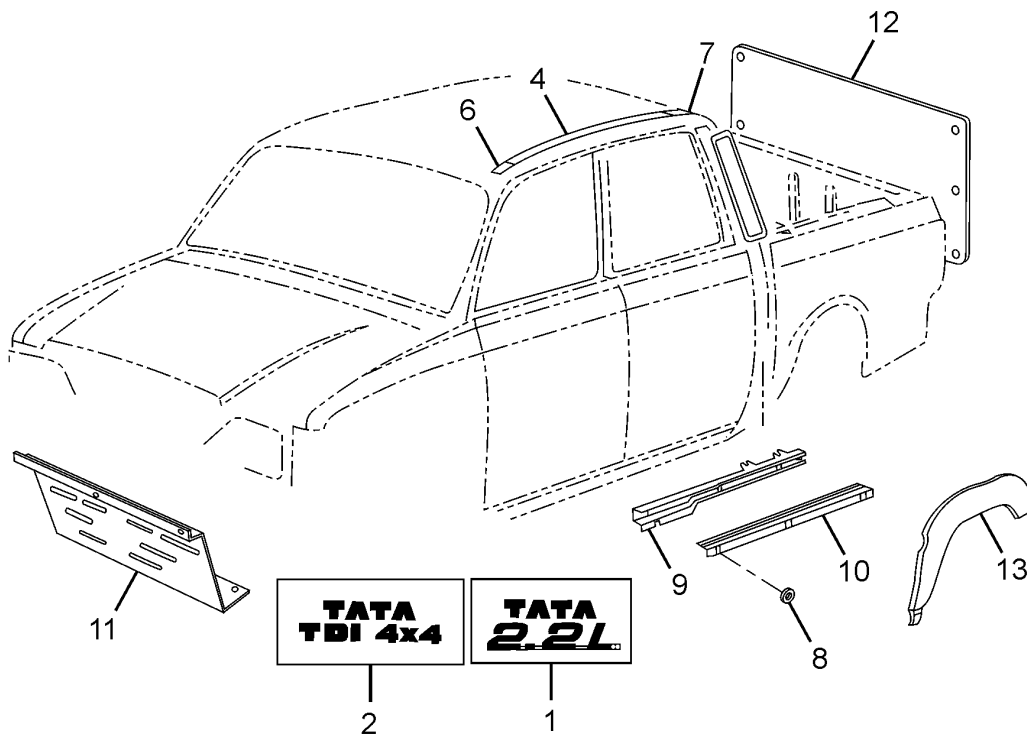
60.81.02B		INTERNAL AND EXTERNAL FITMENTS-2		GROUP 81	
CHASSIS TYPE: 374536					
FIG. NO.	PART NUMBER	DESCRIPTION	QTY	REMARKS	
1	283381800102	ASSY. 'TATA 2.2L' MASCOT	2		
-	265370006316	STICKER 4WD TURBO INTERCOOLER RH (BLACK)	1		
2	265381800104	ASSY.MASCOT 'TATA TDI 4X4'	2		
4	265481106360	ROOF BEADING - SINGLE CAB	2		
6	265881106316	END CAP LH FRONT (ROOF BEADING)	1		
6	265881106315	END CAP RH FRONT (ROOF BEADING)	1		
7	265481106361	END CAP REAR LH (ROOF BEADING)	1		
7	265481106362	END CAP REAR RH (ROOF BEADING)	1		
8	265188806307	RUBBER WASHER	2		
11	282631708202	FRONT SKIRT (SHHET METAL)	1		
12	283269506303	ASSY.REAR WALL PADDING (GRAY)	1		
13	265381106307	FENDER EXTENSION FRONT LH - GREY	1		
13	265381106308	FENDER EXTENSION FRONT RH - GREY	1		
-	265981116352	FENDER EXTENSION BEADING (FRONT)	2		
-	265370006314	FENDER EXTENSION LH (REAR) - GREY	1		
-	265370006315	FENDER EXTENSION RH (REAR) - GREY	1		
-	269969100102	ASSY CABIN AIR EXTRACTOR VALVE	2		

CHASSIS TYPE: 374558



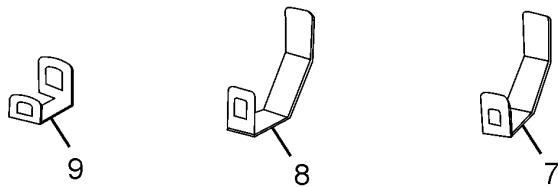
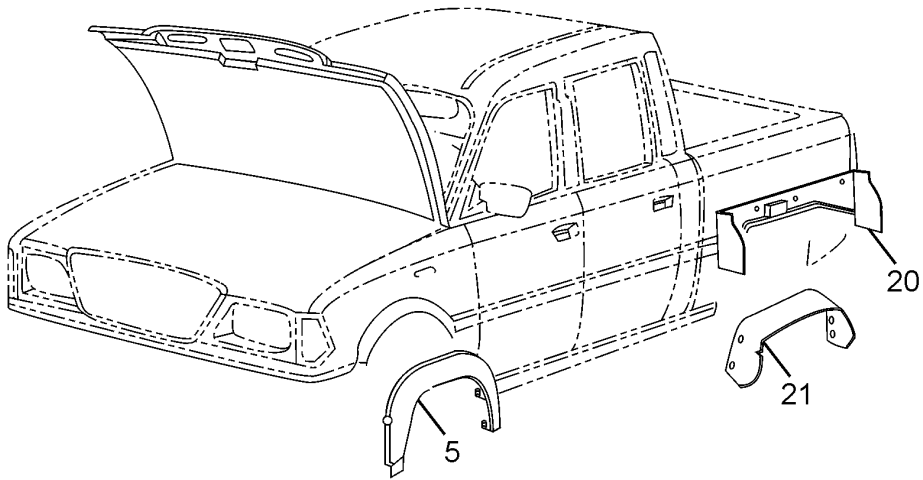
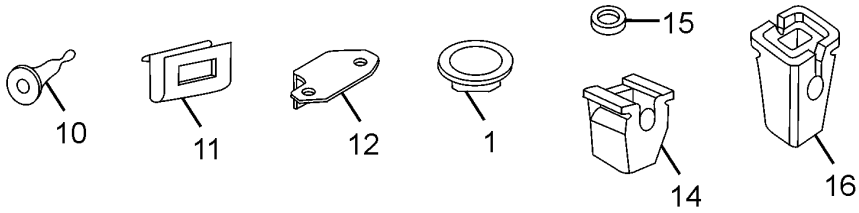
60.81.02C		INTERNAL AND EXTERNAL FITMENTS-2		GROUP 81
CHASSIS TYPE: 374558				
FIG. NO.	PART NUMBER	DESCRIPTION	QTY	REMARKS
1	283381800102	ASSY. 'TATA 2.2L' MASCOT	2	
4	200181100128	ASSY.ROOF BEADING - CREW CAB	2	
6	265881106316	END CAP LH FRONT (ROOF BEADING)	1	
6	265881106315	END CAP RH FRONT (ROOF BEADING)	1	
7	265481106361	END CAP REAR LH (ROOF BEADING)	1	
7	265481106362	END CAP REAR RH (ROOF BEADING)	1	
8	265188806307	RUBBER WASHER	2	
9	265869206316	SIDE BEADING CARPET (REAR)LH (BLACK)	1	
9	265869206317	SIDE BEADING CARPET (REAR)RH (BLACK)	1	
10	283381106302	COVER SILL REAR BLACK	2	
11	282631708202	FRONT SKIRT (SHHET METAL)	1	
12	270169500112	ASSY.REAR WALL PADDING (GRAY)	1	
13	265381106307	FENDER EXTENSION FRONT LH - GREY	1	
13	265381106308	FENDER EXTENSION FRONT RH - GREY	1	
-	265981116352	FENDER EXTENSION BEADING (FRONT)	2	
-	265370006314	FENDER EXTENSION LH (REAR) - GREY	1	
-	265370006315	FENDER EXTENSION RH (REAR) - GREY	1	
-	269969100102	ASSY CABIN AIR EXTRACTOR VALVE	2	

CHASSIS TYPE: 374557



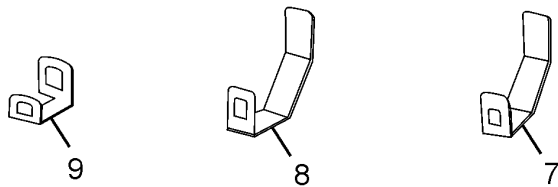
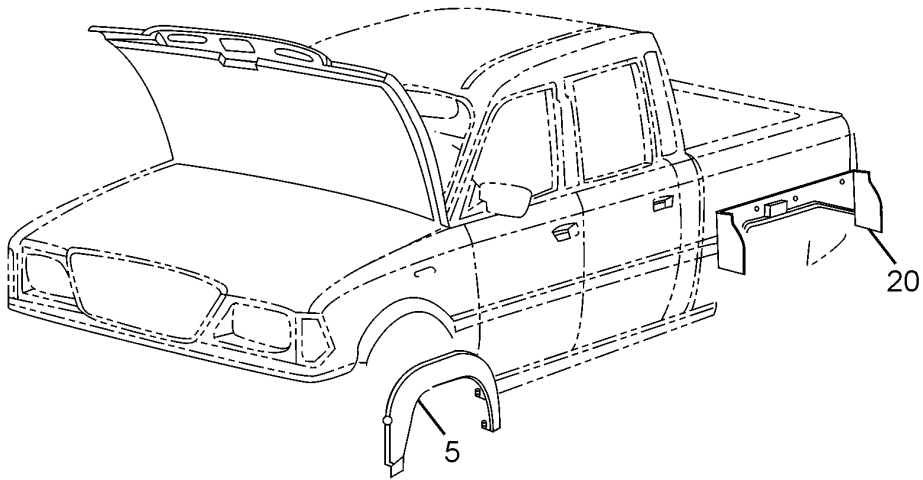
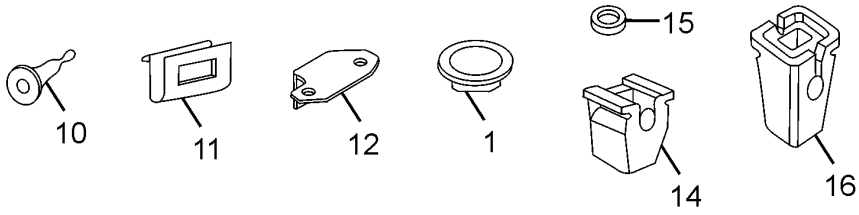
60.81.02D		INTERNAL AND EXTERNAL FITMENTS-2		GROUP 81	
CHASSIS TYPE: 374557					
FIG. NO.	PART NUMBER	DESCRIPTION	QTY	REMARKS	
1	283381800102	ASSY. 'TATA 2.2L' MASCOT	2		
-	265370006316	STICKER 4WD TURBO INTERCOOLER RH (BLACK)	1		
2	265381800104	ASSY.MASCOT 'TATA TDI 4X4'	2		
4	200181100128	ASSY.ROOF BEADING - CREW CAB	2		
6	265881106316	END CAP LH FRONT (ROOF BEADING)	1		
6	265881106315	END CAP RH FRONT (ROOF BEADING)	1		
7	265481106361	END CAP REAR LH (ROOF BEADING)	1		
7	265481106362	END CAP REAR RH (ROOF BEADING)	1		
8	265188806307	RUBBER WASHER	2		
9	265869206316	SIDE BEADING CARPET (REAR)LH (BLACK)	1		
9	265869206317	SIDE BEADING CARPET (REAR)RH (BLACK)	1		
10	283381106302	COVER SILL REAR BLACK	2		
11	282631708202	FRONT SKIRT (SHHET METAL)	1		
12	270169500112	ASSY.REAR WALL PADDING (GRAY)	1		
13	265381106307	FENDER EXTENSION FRONT LH - GREY	1		
13	265381106308	FENDER EXTENSION FRONT RH - GREY	1		
-	265981116352	FENDER EXTENSION BEADING (FRONT)	2		
-	265370006314	FENDER EXTENSION LH (REAR) - GREY	1		
-	265370006315	FENDER EXTENSION RH (REAR) - GREY	1		
-	269969100102	ASSY CABIN AIR EXTRACTOR VALVE	2		

CHASSIS TYPE: 374536; 374508; 374506



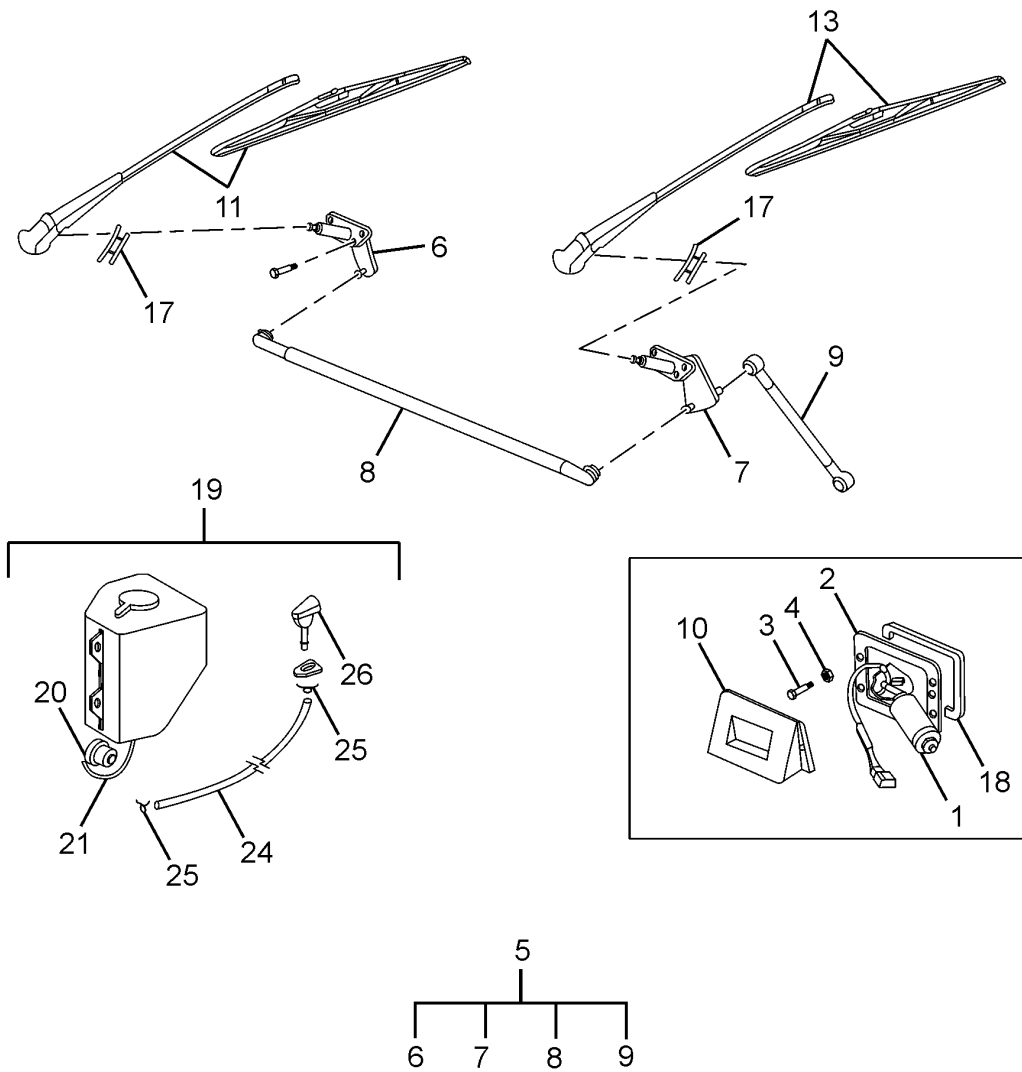
60.81.03A		INTERNAL AND EXTERNAL FITMENTS		GROUP 81	
CHASSIS TYPE: 374536; 374508; 374506					
FIG. NO.	PART NUMBER	DESCRIPTION	QTY	REMARKS	
1	265481906302	BUTTON[CROSS MEMBER]	6		
5	265381106307	FENDER EXTENSION FRONT LH - GREY	1		
5	265381106308	FENDER EXTENSION FRONT RH - GREY	1		
7	266081108201	BRACKET FRONT LH(FRONT FENDER EXTENSION)	1		
8	266081108202	BRACKET FRONT RH(FRONT FENDER EXTENSION)	1		
9	266081108203	BRACKET CENTRE(FRONT FENDER EXT)	1		
-	266081108204	REAR BRACKET(FRONT FENDER EXT)	1		
10	269881900101	ASSY. CLIP (LARGE)	8		
11	266081108205	REAR BOTTOM BRACKET LH(FRONT FENDER EXT)	1		
12	266081108206	REAR BOTTOM BRACKET RH(FRONT FENDER EXT)	1		
10	265481107503	SCREW GROMMET	4		
15	265481109201	WASHER	4		
16	265988606322	SCREW GROMMET	4		
20	265370006301	LINER INNER LH (REAR WHEEL ARCH)	1		
20	265370006302	LINER INNER RH (REAR WHEEL ARCH)	1		
21	265981106315	MUDGUARD LINER LH [FRONT OUTER]	1		
21	265981106316	MUDGUARD LINER RH [FRONT OUTER]	1		

CHASSIS TYPE: 374557; 374558



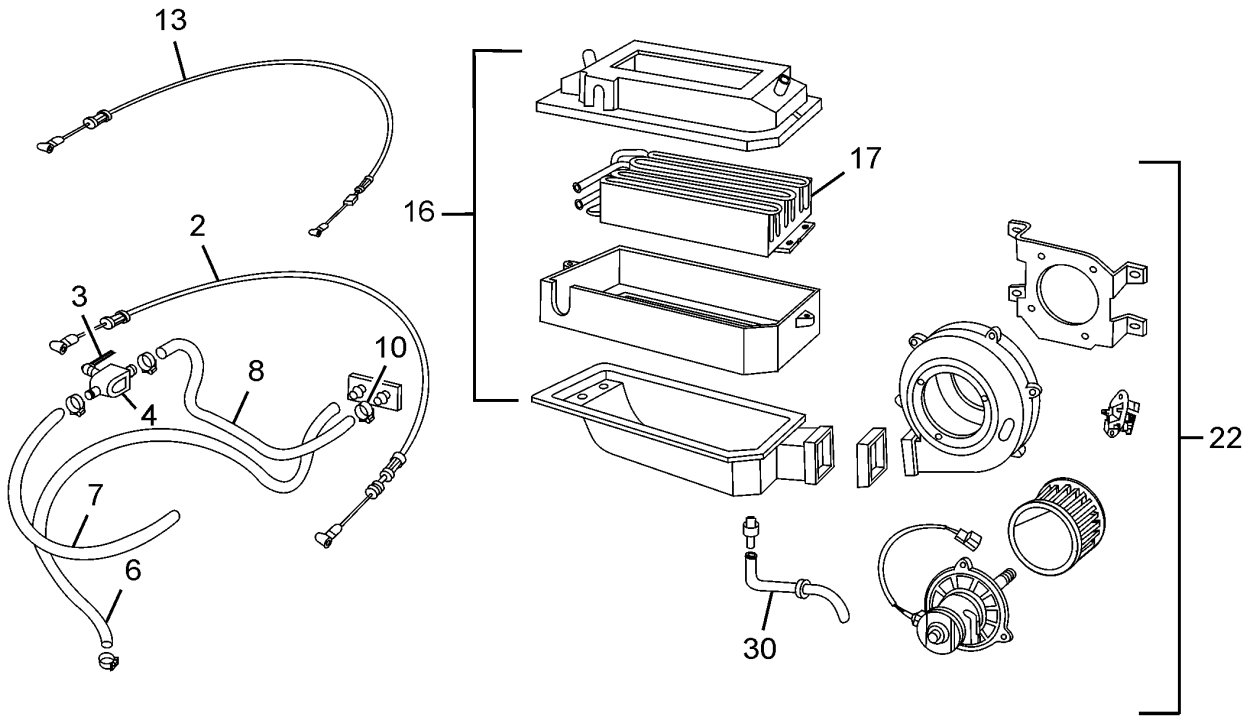
60.81.03B		INTERNAL AND EXTERNAL FITMENTS		GROUP 81	
CHASSIS TYPE: 374557; 374558					
FIG. NO.	PART NUMBER	DESCRIPTION	QTY	REMARKS	
1	265481906302	BUTTON[CROSS MEMBER]	6		
5	265381106307	FENDER EXTENSION FRONT LH - GREY	1		
5	265381106308	FENDER EXTENSION FRONT RH - GREY	1		
7	266081108201	BRACKET FRONT LH(FRONT FENDER EXTENSION)	1		
8	266081108202	BRACKET FRONT RH(FRONT FENDER EXTENSION)	1		
9	266081108203	BRACKET CENTRE(FRONT FENDER EXT)	1		
-	266081108204	REAR BRACKET(FRONT FENDER EXT)	1		
10	269881900101	ASSY. CLIP (LARGE)	8		
11	266081108205	REAR BOTTOM BRACKET LH(FRONT FENDER EXT)	1		
12	266081108206	REAR BOTTOM BRACKET RH(FRONT FENDER EXT)	1		
10	265481107503	SCREW GROMMET	4		
15	265481109201	WASHER	4		
16	265988606322	SCREW GROMMET	4		
20	265370006301	LINER INNER LH (REAR WHEEL ARCH)	1		
20	265370006302	LINER INNER RH (REAR WHEEL ARCH)	1		

CHASSIS TYPE: ALL



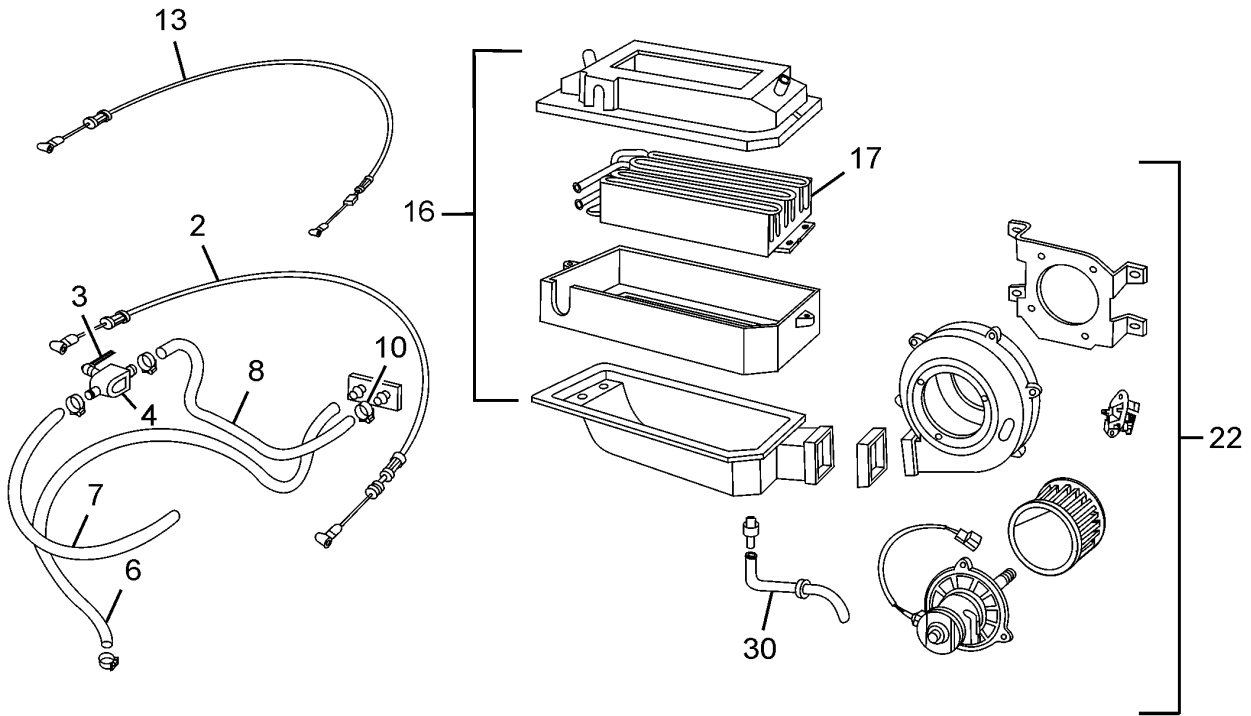
60.82.01		WIND SHIELD WIPING AND WASHING SYSTEM		GROUP 82
CHASSIS TYPE: ALL				
FIG. NO.	PART NUMBER	DESCRIPTION	QTY	REMARKS
1	265482400180	ASSY. WIPER MOTOR WITH R/SI & THERM C/O	1	
2	265482400145	ASSY. BRACKET (WIPER MOTOR MTG.)	1	
5	265482400182	ASSY.WIPER KIT LHD [M/S.LUCAS TVS]	1	
6		ASSY WHEEL BOX	1	
7		ASSY WHEEL BOX	1	
8		ASSY LINK ROD (I)	1	
9		ASSY LINK ROD (II)	1	
10	265482406304	COVER (WIPER MOTOR)	1	
11	265482410140	ASSY,WIPER ARM AND BLADE DR-LHD EX	1	
13	265482410139	ASSY,WIPER ARM AND BLADE CO DR-LHD	1	
18	265482407503	GASKET (FOR WIPER MOTOR BRACKET)	1	
19	265982400146	KIT ELEC.W/S WASHER CONSISTING OF:	1	
20		PUMP ASSY,WITH MOTOR AND TANK	1	
21		TUBE TANK TO PUMP INLET	1	
-		ASSY BRACKET	1	
-		M5X20 SLOTTED CH. SCREW	2	
24		TUBE(2000MM)	1	
25		OMEGA CLIP	4	
26		ASSY,NOZZLE	1	

CHASSIS TYPE: 374536; 374508; 374506



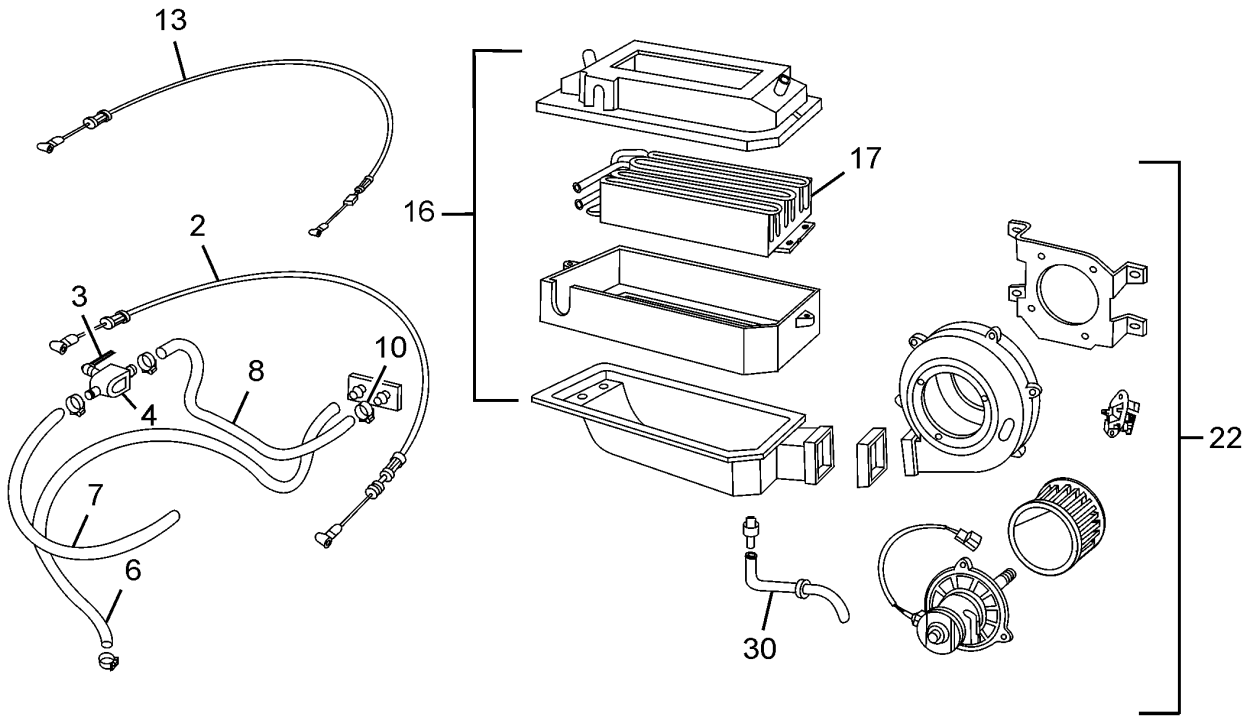
60.83.01		HEATING AND DEMISTING		GROUP 83	
CHASSIS TYPE: 374536; 374508; 374506					
FIG. NO.	PART NUMBER	DESCRIPTION	QTY	REMARKS	
2	282683300101	ASSY,PUSHPULL CABLE-HEATER	1		
3	265483500109	ASSY.LEVER [N/D TYPE WATER VALVE]	1		
4	265483500108	ASSY.WATER VALVE-(5113600605)-SUBROS	1		
6	282683505803	RUBBER HOSE (HEATER TO ENGINE)	1		
7	283283505802	RUBBER HOSE(UPR COOL. LINE TO WATER VAL)	1		
8	283283505804	RUBBER HOSE(WATER VALVE TO ENGINE)	1		
10	265483300177	HOSE CLAMP-25 IS:4762.	6		
-	265983110165	ASSY.FRESH AIR VALVE (W/O CABLE) - L.H.D	1		
13	265983300178	ASSY.PUSH PULL CABLE (AEPL)	1		
-	265483106319	RETAINER [VENTILLTION CABLE]	1		
16	282683500103	KIT HEATER WITH COIL LHD	1		
17	283383500102	ASSY.HEATER COIL CPT.(NEW CONNECTOR)	1		
	283283106302	ASSY,COIL HSG CUM DUCT-SUBROS-LHD	1		
22	265883400140	ASSY BLOWER COMPLETE(4 POLE RESISTOR)	1		
30	265983116392	DRAIN HOSE WITH GROMMET	1		

CHASSIS TYPE: 374557; 374558



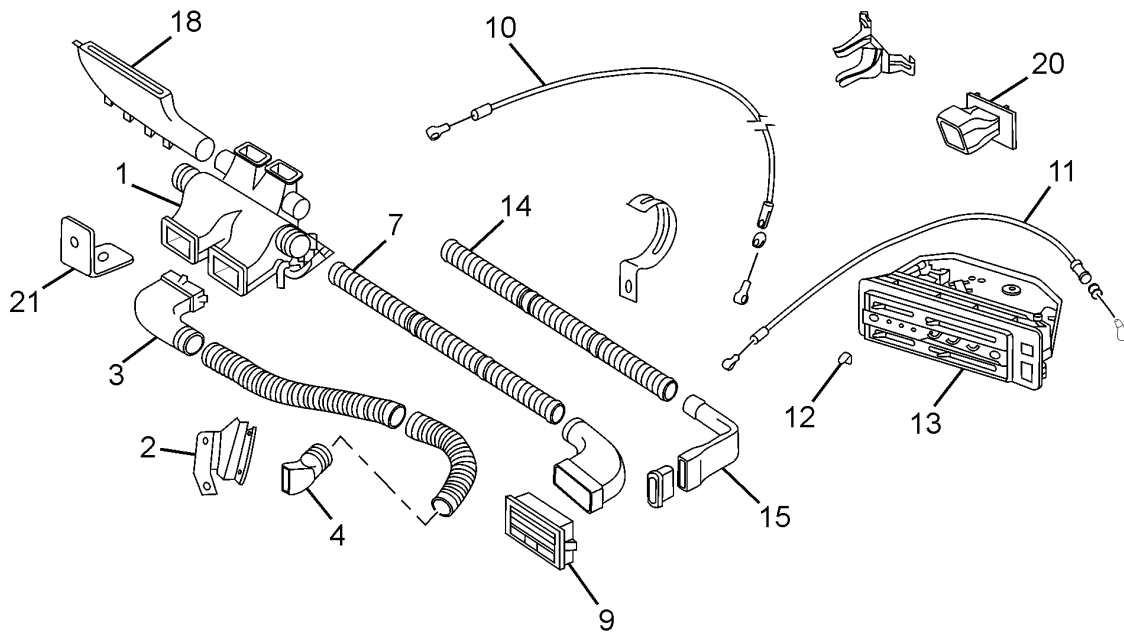
60.83.02		HEATING AND DEMISTING SYSTEM		GROUP 83	
CHASSIS TYPE: 374557; 374558					
FIG. NO.	PART NUMBER	DESCRIPTION	QTY	REMARKS	
-	283283100129	KIT FOR AC+HTR-LHD(2.2LTR ENG) COMPLETE	1		
		CONSISTS OF 1+2+3			
1	283283100122	KIT FOR FITMENTS ON ENGINE AND CAB CONSISTS OF:	1		
		DRAIN HOSE WITH GROMMET	1		
		GROMMET(FOR DRAIN TUBE)	1		
		ASSY TANK,R/DRIER,HFC-134	1		
		ASSY BKT(FOR RECVR DRIER MTG)	1		
		ASSY HOSE SUCTION-LHD	1		
		ASSY HOSE DISCHARGE(2.2LTR)	1		
		ASSY TUBE LIQUID-LHD	2		
		ASSY TUBE LIQUID-1	1		
		ASSY TUBE LIQUID-2(BET R/D OUT&UNIT IN)	1		
		ASSY TUBE LIQUID W/ACCESSORIES-LHD	1		
		CLAMP TUBE LIQUID	2		
		CLAMP(HOSE SUCTION)	1		
		ASSY A/C CABLE SET-L	11		
		ASSY A/C CABLE SET-LI(MOBILE)	1		
		ASSY AMPLIFIER WITH MOUNTING BRACKET	1		
		ASSY POTENTIOMETER	1		
2	283283100127	ASSY AC+HTR WITH BLOWER COMPLETE CONSISTS OF:	1		
		ASSY AC+HTR	1		
		UNIT(HFC134A)SUBROS-LHD			
		ASSY BLOWR	1		
		CPT.3P.RES.W/MSSL(SUB)-LHD			
		SEALING GASKET(BLOWER TO DUCT)	1		
		STAY PLATE(COIL HSG TO DUCT FRONT)	1		
3	283283100130	ASSY CONDENSER COMPLETE	1		
4	265483500109	ASSY LEVER(N/D TYPE WATER VALVE)	1		
5	265483500108	ASSY WATER VALVE(5113600605)	1		
6	282683505803	RUBBER HOSE(HEATER TO ENGINE)	1		
7	283283505802	RUBBER HOSE(UPR COOL LINE TO WATERVALVE)	1		

CHASSIS TYPE: 374557; 374558



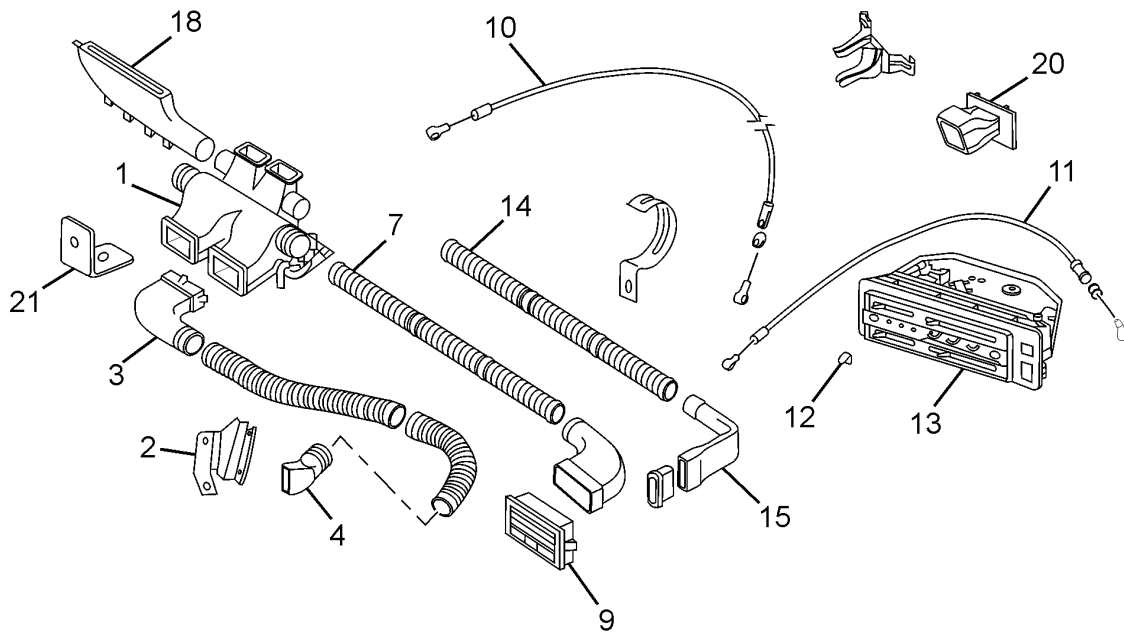
60.83.02		HEATING AND DEMISTING SYSTEM		GROUP 83	
CHASSIS TYPE: 374557; 374558					
FIG. NO.	PART NUMBER	DESCRIPTION	QTY	REMARKS	
8	283283505804	RUBBER HOSE(WATER VALVE TO ENGINE)	1		
9	265483300177	HOSE CLAMP-25	6		
10	265983110165	ASSY FRESH AIR VALVE LHD(WITHOUT CABLE)	1		
11	265983300178	ASSY PUSH PULL CABLE(AEPL)	1		
12	265483106319	RETAINER(VENTILATION CABLE)	1		
13	265983300169	ASSY PUSH PULL CABLE PINK(AEPL)	1		
14	265983300180	ASSY PUSH PULL CABLE	1		
15	265983300111	ASSY PUSH PULL CABLE	1		
16	265483300184	ASSY PUSH PULL CABLE-RED COLOUR	1		
17	265954700142	ASSY COND FAN UNIT(LARGER)-120W	1		
18	265854500142	ASSY A/C SWITCH	1		

CHASSIS TYPE: 374536; 374508; 374506



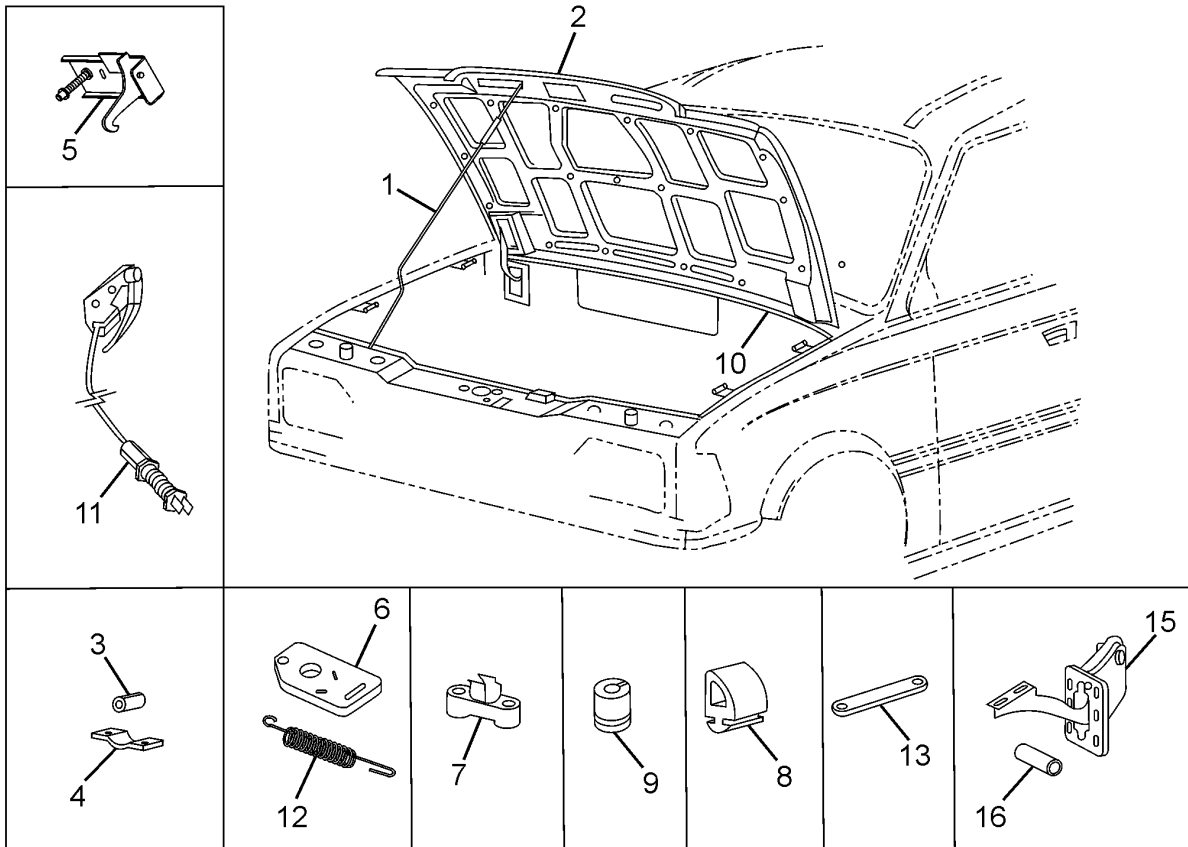
60.83.03A		VENTILATION AND CONTROL		GROUP 83
CHASSIS TYPE: 374536; 374508; 374506				
FIG. NO.	PART NUMBER	DESCRIPTION	QTY	REMARKS
1	265483110127	ASSY.PLENUM CHEMBER-(5P)	1	
2	265483103307	MOUNTING BRACKET PLENUM CHAMBER LH.	1	
2	265483103308	MOUNTING BRACKET PLENUM CHAMBER RH	1	
3	265483106388	LEG VENT.NOZZLE-R.H.	1	
3	265483106389	LEG VENT.NOZZLE-L.H.	1	
-	265483106322	HOSE(VENTILATION)	2	
-	265483106362	HOSE(LEG ROOM CONNECTOR)	2	
4	265483106350	DIFFUSER(LEG ROOM VENTILATION)	2	
7	265483106334	HOSE [VENTILATION].	2	
9	265483300190	OFFER DRG.ASSY.VENTILATION NOZZLE	4	
10	265983300162	ASSY.PUSH PULL CABLE -SKY BLUE	1	
12	265983306338	CONTROL KNOB	4	
13	265968900150	ASSY CONTROL BRACKET- HEATING	1	
14	265983116384	HOSE - WINDOW DEMIST	2	
15	265483116326	DUCT FOR WINDOW DEMIST	2	
18	265483700107	ASSY.DEFROST NOZZLE. LH.	1	
18	265483700108	ASSY. DEFROST NOZZLE RH.	1	
20	265983116398	CONNECTOR RH(PLENUM CHEMBER TO VENT).	1	
20	265983126308	CONNECTOR LH	1	
21	265483108221	CLIP(LEG VENT MTG.TO ASSY.PLENUM)	4	
-	265483106375	ELBOW DUCT-LH	1	
-	265483106376	ELBOW DUCT-RH	1	

CHASSIS TYPE: 374557; 374558



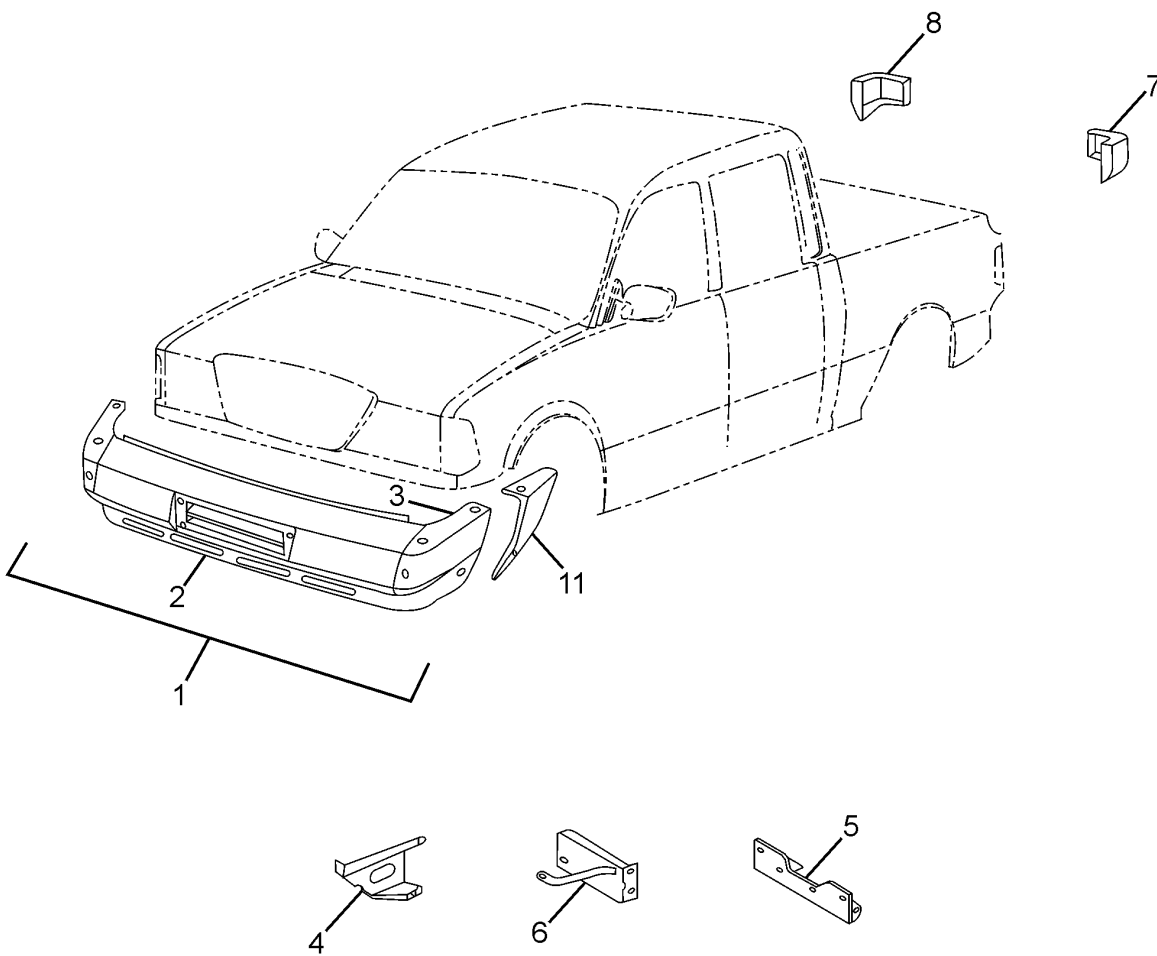
60.83.03B		VENTILATION AND CONTROL		GROUP 83
CHASSIS TYPE: 374557; 374558				
FIG. NO.	PART NUMBER	DESCRIPTION	QTY	REMARKS
1	265483110127	ASSY.PLENUM CHEMBER-(5P)	1	
2	265483103307	MOUNTING BRACKET PLENUM CHAMBER LH.	1	
2	265483103308	MOUNTING BRACKET PLENUM CHAMBER RH	1	
3	265483106388	LEG VENT.NOZZLE-R.H.	1	
3	265483106389	LEG VENT.NOZZLE-L.H.	1	
-	265483106322	HOSE(VENTILATION)	2	
-	265483106362	HOSE(LEG ROOM CONNECTOR)	2	
4	265483106350	DIFFUSER(LEG ROOM VENTILATION)	2	
7	265483106334	HOSE [VENTILATION].	2	
9	265483300190	OFFER DRG.ASSY.VENTILATION NOZZLE	4	
10	265983300162	ASSY.PUSH PULL CABLE -SKY BLUE	1	
12	265983306338	CONTROL KNOB	4	
13	265968900151	ASSY CONTROL BRACKET- (AC + HEATING)	1	
14	265983116384	HOSE - WINDOW DEMIST	2	
15	265483116326	DUCT FOR WINDOW DEMIST	2	
18	265483700107	ASSY.DEFROST NOZZLE. LH.	1	
18	265483700108	ASSY. DEFROST NOZZLE RH.	1	
20	265983116398	CONNECTOR RH(PLENUM CHEMBER TO VENT).	1	
20	265983126308	CONNECTOR LH	1	
21	265483108221	CLIP(LEG VENT MTG.TO ASSY.PLENUM)	4	
-	265483106375	ELBOW DUCT-LH	1	
-	265483106376	ELBOW DUCT-RH	1	

CHASSIS TYPE: ALL



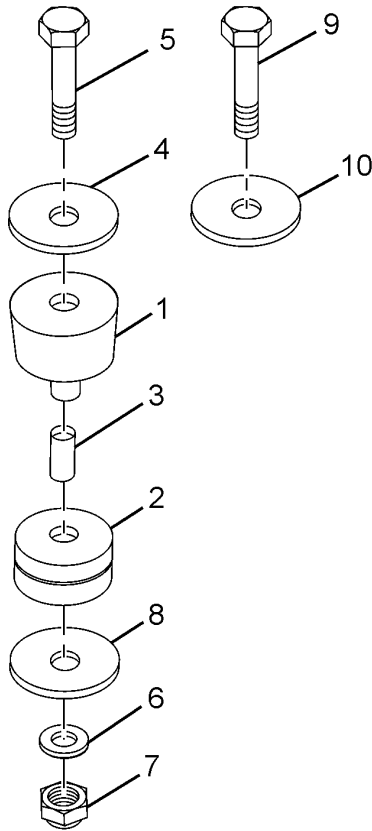
60.88.01		BONNET		GROUP 88	
CHASSIS TYPE: ALL					
FIG. NO.	PART NUMBER	DESCRIPTION	QTY	REMARKS	
1	283288700101	STAY ROD (BONNET)	1		
-	283288706301	END CAP(STAY ROD)	1		
2	26588870Z101	ASSY.BONNET CENTRE	1		
3	265488703401	BUSH (STAY ROD)	1		
4	265488708220	BRACKET BONNET STAY ROD	1		
5	265488700143	ASSY.BONNET LOCK	1		
6	265488700137	ASSY.BRACKET BOTTOM [BONNET LOCK-LHD]	1		
7	265488704202	CLAMP BONNET STAY ROD	1		
8	265488706311	RUBBER BUFFER	2		
9	265488706310	RUBBER BUFFER	2		
10	265488706304	SEALING BONNET (W/S SIDE)	1		
11	265488700146	ASSY.RELEASE CABLE COMPLETE-LHD	1		
12	265488708702	TENSION SPRING (BONNET LOCK RETURN)	1		
13	265488708236	LINK BONNET LOCK	1		
15	265488700101	ASSY.BONNET HINGE LH	1		
15	265488700102	ASSY.BONNET HINGE RH	1		
16	265488703402	BUSH (BONNET HINGE)	4		

CHASSIS TYPE: ALL



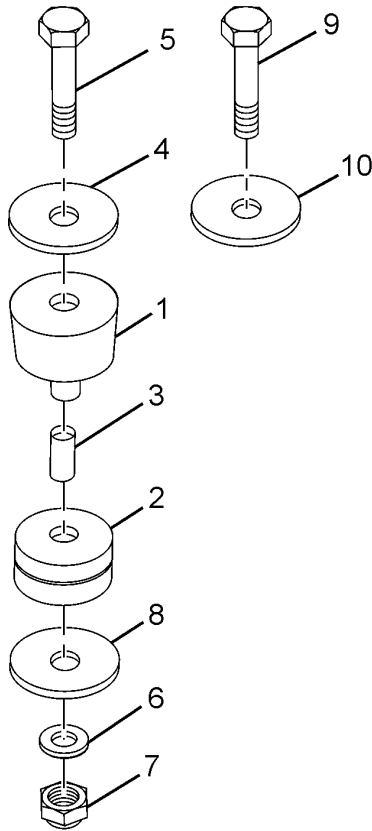
60.88.02		BUMPER		GROUP 88
CHASSIS TYPE: ALL				
FIG. NO.	PART NUMBER	DESCRIPTION	QTY	REMARKS
1	26538850Y113BJ	ASSY.BUMBER FRONT COMPLETE-ARTICT WHITE	1	
3	26598850C213	BUMPER FRONT LH	1	
3	26598850C214	BUMPER FRONT RH-ARTIC WHITE	1	
4	265488500144	BRACKET SIDE LH (BUMPER MTG.)	1	
4	265488500145	BRACKET SIDE RH (BUMPER MTG.)	1	
5	265488500140	ASSY.BRACKET (FRONT BUMPER MTG.)	1	
6	265388500103	ASSY.SUPPORT LH (FRONT BUMPER MTG.)	1	
6	265988500119	ASSY.SUPPORT RH (FRONT BUMPER MTG.)	1	
7	265470400162	CORNER BUMPER REAR LH (GRAY)	1	
8	265470400163	CORNER BUMPER REAR RH (GRAY)	1	
11	265488500151	ASSY.COVER (FRINT BUMPER) LH	1	
11	265488500152	ASSY.COVER (FRINT BUMPER) RH	1	

CHASSIS TYPE: 374536; 374508; 374506



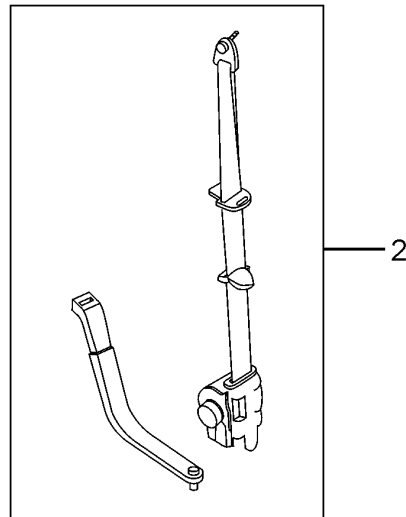
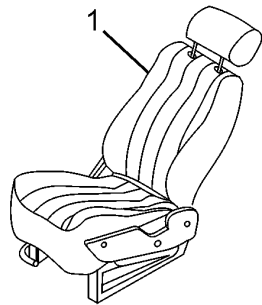
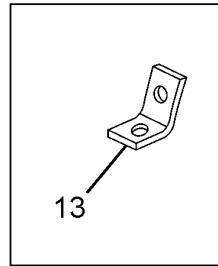
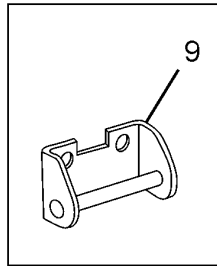
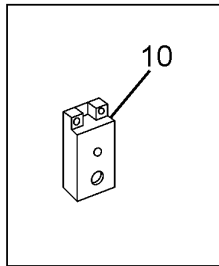
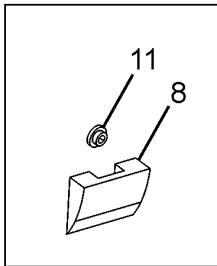
60.89.01A		BODY MOUNTING		GROUP 89	
CHASSIS TYPE: 374536; 374508; 374506					
FIG. NO.	PART NUMBER	DESCRIPTION	QTY	REMARKS	
	283289100102	ASSY,KIT FOR RUBBER MTG CONSISTS OF	6		
1		ASSY,RUBBER MOUNTING(TOP)	1		
2		RUBBER MOUNTING(BOTTOM)	1		
3		SPACER TUBE	1		
4	265470809203	WASHER TOP	6		
5	11063896065	HEX BOLT(M12X95)	2		
6	12460501308	BRIGHT WASHER(13)	6		
7	12140501202	NYLON NUT(M12)	6		
8	265489109201	WASHER	6		
9	11063896324	HEX BOLT(M12X125)	4		
10	265489109201	WASHER	12		

CHASSIS TYPE: 374557; 374558



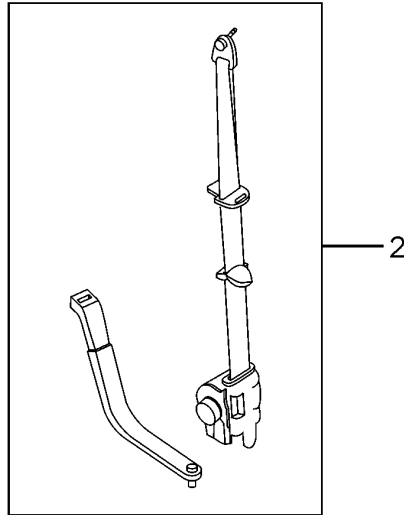
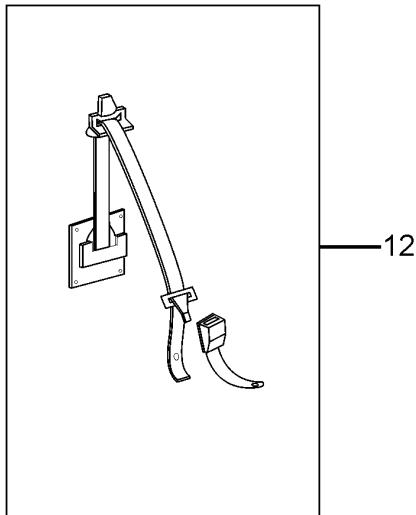
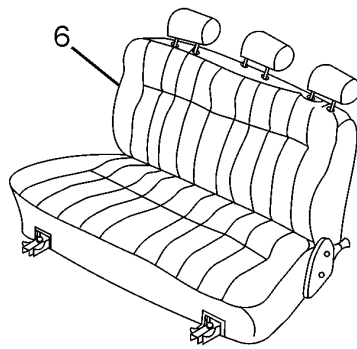
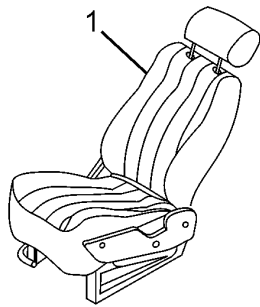
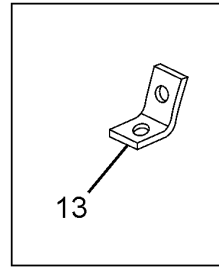
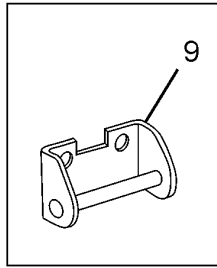
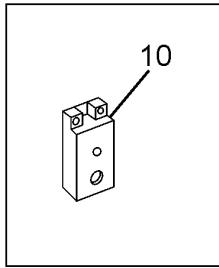
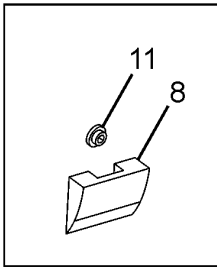
60.89.01B		BODY MOUNTING		GROUP 89	
CHASSIS TYPE: 374557; 374558					
FIG. NO.	PART NUMBER	DESCRIPTION	QTY	REMARKS	
	283289100102	ASSY,KIT FOR RUBBER MTG CONSISTS OF	8		
1		ASSY,RUBBER MOUNTING(TOP)	1		
2		RUBBER MOUNTING(BOTTOM)	1		
3		SPACER TUBE	1		
4	265470809203	WASHER TOP	8		
5	11063896065	HEX BOLT(M12X95)	2		
6	12460501308	BRIGHT WASHER(13)	8		
7	12140501202	NYLON NUT(M12)	8		
8	265489109201	WASHER	8		
9	11063896324	HEX BOLT(M12X125)	6		
10	265489109201	WASHER	16		

CHASSIS TYPE: 374536; 374508; 374506



60.91.01A		SEATS AND SEAT BELTS		GROUP 91	
CHASSIS TYPE: 374536; 374508; 374506					
FIG. NO.	PART NUMBER	DESCRIPTION	QTY	REMARKS	
1	270191000137	ASSY,FRT SEAT COMP,LH	1		
1	270191000105	ASSY,FRT SEAT COMP,RH	1		
2	265991500131	ASSY,SEAT BELT COMPLETE	1		
8	265491506303	COVER(DARK GREY)(SEAT BELT MTG BKT)	2		
9	265891500103	ASSY,BRACKET	2		
10	265481116309	COVER(FOR ELR COVER)DARK GREY	2		
10	270181106312	COVER(FOR ELR COVER)DARK GREY	2		
11	265491503401	BUSH	2		
13	265991500107	ASSY,BRACKET BOTTOM,LH(SEAT BELT)	2		
-	283281100114	ASSY,CAP(SEAT BELT ELR CAVITY)	2		

CHASSIS TYPE: 374557; 374558



60.91.01B		SEATS AND SEAT BELTS		GROUP 91	
CHASSIS TYPE: 374557; 374558					
FIG. NO.	PART NUMBER	DESCRIPTION	QTY	REMARKS	
1	270191000137	ASSY,FRT SEAT COMP,LH	1		
1	270191000105	ASSY,FRT SEAT COMP,RH	1		
2	265991500131	ASSY,SEAT BELT COMPLETE	1		
6	270193000117	ASSY,REAR SEAT	1		
8	265491506303	COVER(DARK GREY)(SEAT BELT MTG BKT)	2		
9	265891500103	ASSY,BRACKET	2		
10	265481116309	COVER(FOR ELR COVER)DARK GREY	2		
10	270181106312	COVER(FOR ELR COVER)DARK GREY	2		
11	265491503401	BUSH	2		
12	270193500116	ASSY,SEAT BELT KIT COMPLETE(REAR SEAT)	1		
13	265991500107	ASSY,BRACKET BOTTOM,LH(SEAT BELT)	2		
-	283281100114	ASSY,CAP(SEAT BELT ELR CAVITY)	2		

