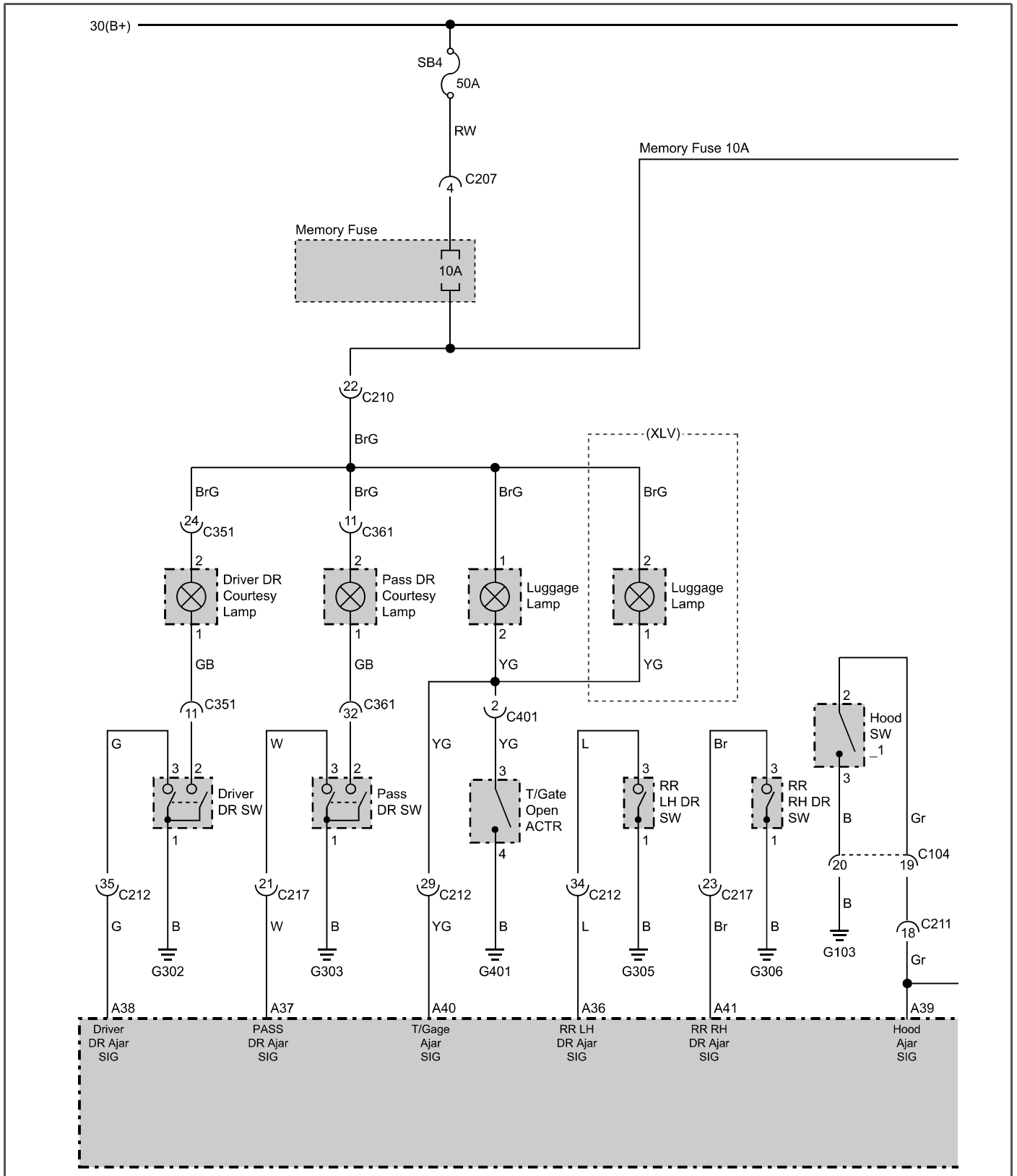


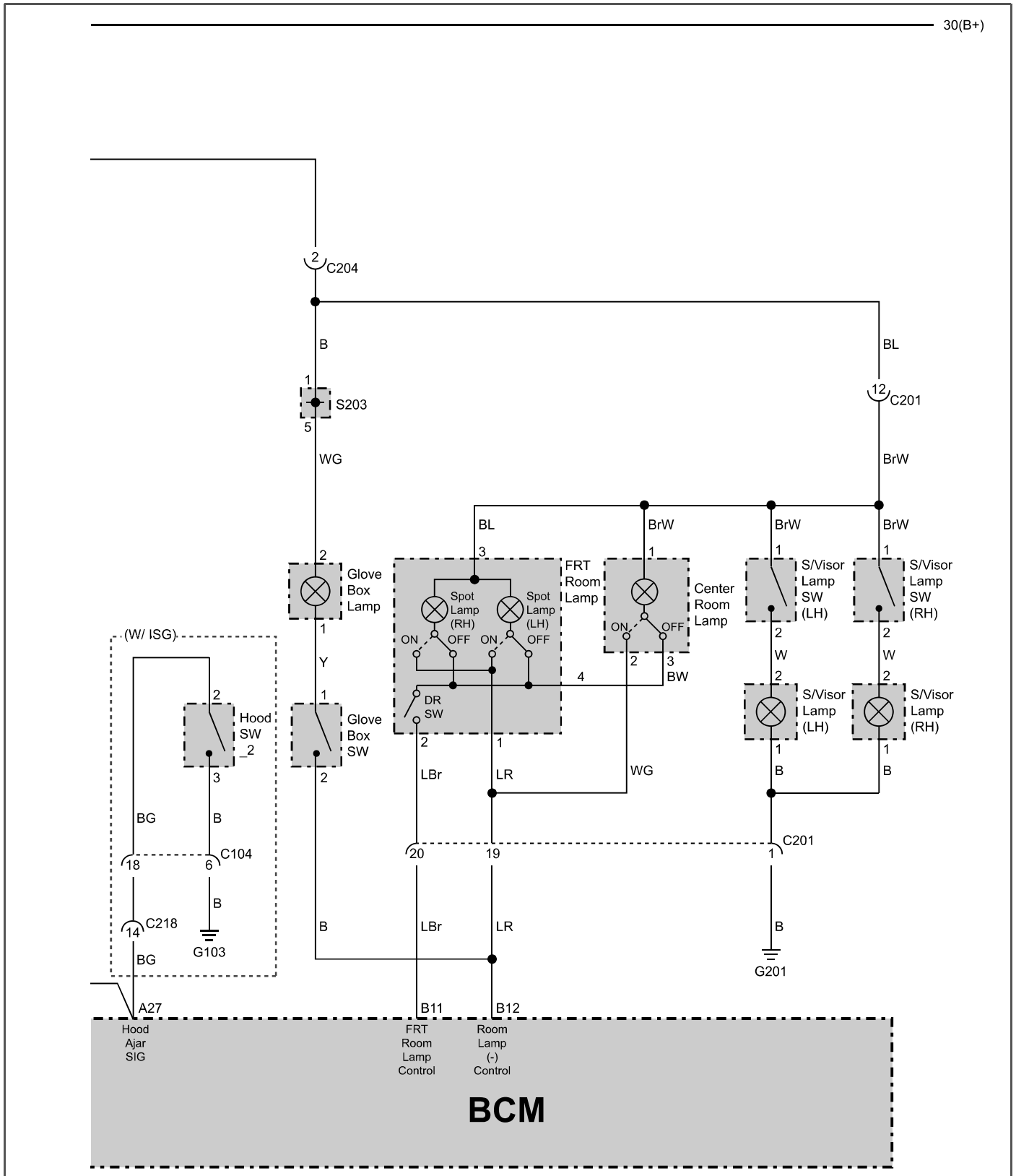
2) Interior Lamp

(1) Interior lamp



| | |
|--------------------|--|
| Modification basis | |
| Application basis | |
| Affected VIN | |

- FUSE
- BCM
- SKM
- FCM
- INSTRUMENT
- SWITCH
- LAMP
- WIPER AND
- AVN
- MP3 AUDIO
- LCD AUDIO
- ISG SYSTEM
- AC INVERTE



| | |
|--------------------|--|
| Modification basis | |
| Application basis | |
| Affected VIN | |