



MANZA

A CLASS APART

THE ONE ACCESSORY WE OVERLOOKED,
A 'DO NOT DISTURB' SIGN FOR THE DOORS.



AT 90PS THE STEERING WHEEL
FEELS LIKE IT'S CONNECTED TO
A HIGHER POWER.



90 PS of pure power. Thanks to a world renowned all muscle engine. The SAFIRE90 Petrol comes with a custom fitted Continuous Variable Cam Phaser (CVCP) and an Intelligent Port Resizer (IPR). While the QUAD-RAJET90 Diesel engine is enhanced with a Variable Geometry Turbocharger (VGT) making the Manza the perfect balance between power and refinement.





PERFECTION REDEFINED.

The new Manza doesn't just meet expectations. It resets them. With exteriors detailed in chrome and interiors dressed in beige and burgundy, the Manza makes a bold new statement. An internationally acclaimed 1.4L engine delivers a class leading 90PS of pure exhilaration. And unmatched features like a multi-display DIS, music system and Blue 5 transform the cabin into your private den. It's the new Manza.

There is no other.

The image shows the interior of a car, viewed from the driver's side. The dashboard and steering wheel are a deep purple color, while the seats and center console are a light tan leather. The car has a modern, sleek design with a large infotainment screen in the center console. The text is overlaid on the left side of the image.

DRIVE OR BE DRIVEN.

The one question you'll ask yourself every time you step into a Manza. Leading the argument for the front seat is a powerful 2-DIN music system. Blue 5 technology that pairs up to 5 phones. A sophisticated Driver Information System (DIS) that keeps you updated on what's going on under the hood as well as outside. And a Critical Rev Indicator (CRI) that turns red when you hit the critical RPM.

Making a statement for the backseat is comfort of the largest legroom in its class.

A CAR THAT'S DESIGNED
TO ANNOUNCE YOUR ARRIVAL.
(Even without the motorcade.)





Driver Information System that digitally displays temperature, fuel consumption and time

Steering mounted audio controls

Best rear seating in its class with 947mm legroom

Internationally acclaimed Quadrajet90 or Safire90 engine

460 litres boot capacity that can fit 5 international class suitcases

Dual front SRS Airbags

ABS for control during sudden braking

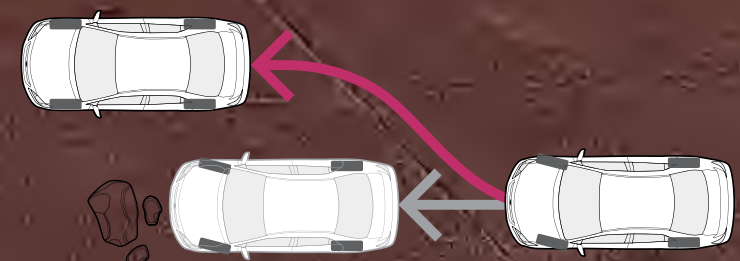
2 DIN music system with USB port and Blue 5 technology

R15 dual tone alloy wheel with tubeless radial tyres for added style

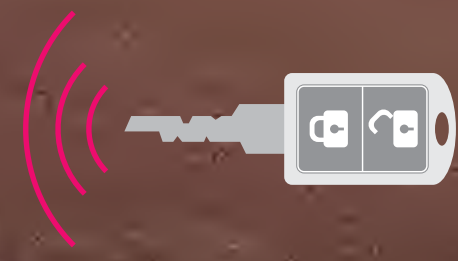
MANZA
A CLASS A PART



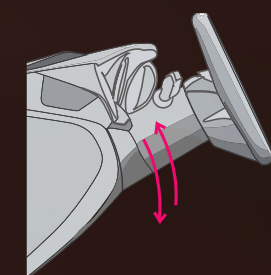
EXTRAORDINARY FINDS
NEW EXPRESSIONS.



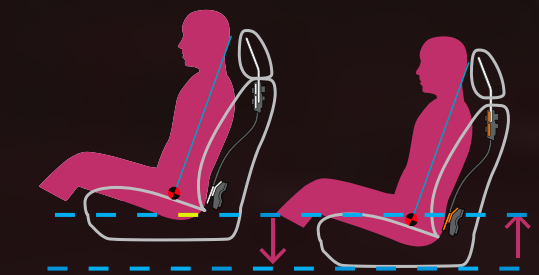
ABS



Keyless Entry



Tilt Adjustable Steering



Height Adjustable Driver's Seat

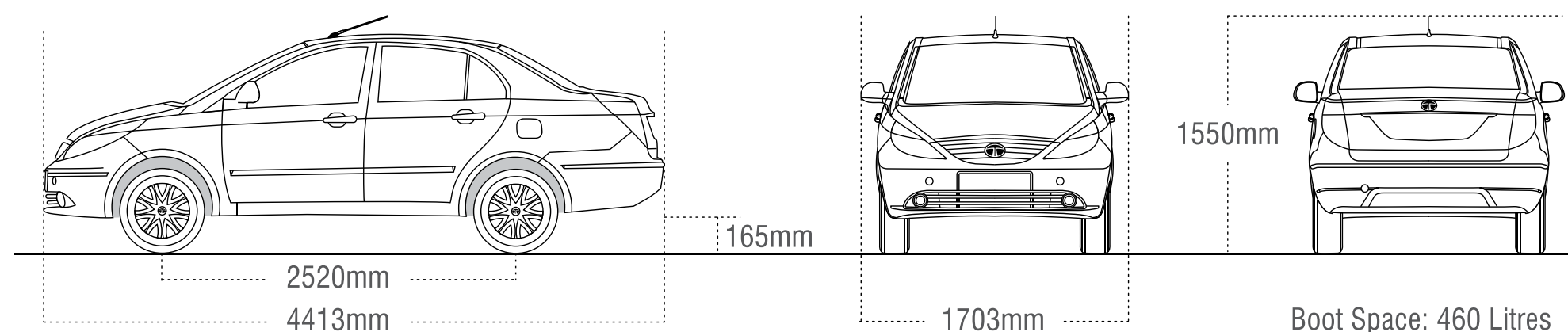
LET THE HUNT FOR
COMPARISONS BEGIN



SPECIFICATIONS

ENGINE	QUADRAJET90	SAFIRE90
Emission Norms	BS3/BS4	BS4
Type	4 Cylinder, Common Rail, Diesel	4 Cylinder, MPFI, Petrol with Intelligent Port Resizer
Engine Capacity	1248cc	1368cc
Max. Power	90PS @ 4000RPM	90PS @ 6000RPM
Max. Torque	200Nm @ 1750-3000RPM	116Nm @ 4750RPM

DIMENSIONS



TRANSMISSION
C549, 5+1 Speed Manual Gearbox

SUSPENSION
Front: Independent, Lower Wishbone, McPherson Strut with Coil Spring
Rear: Semi-independent, Twist Beam with Coil Springs and Hydraulic Shock Absorbers

STEERING
Type: Power Assisted Rack & Pinion - Hydraulic, Tilt-adjustable
Turning Circle Radius: 5.1m

BRAKES
Type: Vacuum Assisted Independent Dual Circuit Diagonal Split Hydraulic Brakes through Tandem Master Cylinder
Front: Ventilated Disc Rear: Drum

WHEELS AND TYRES
Wheels: 5.5 J x 15 Tyre: 185/60 R15 Tubeless Radials

SEATING CAPACITY: 5

FUEL TANK CAPACITY: 44 Litres

WEIGHT (kg)	QUADRAJET90	SAFIRE90
Kerb Weight	1200 - 1210	1100 - 1125
GVW	1650 - 1660	1575 - 1595

FEATURES

COMFORT AND CONVENIENCE

	NEW AQUA	NEW AURA	NEW AURA (ABS)	NEW ELAN
HVAC with Electric Controls	●	●	●	●
Tilt-adjustable Power Steering	○	○	●	●
Power Windows - Front	●	●	●	●
Power Windows - Rear	○	●	●	●
One Shot Power Window - Down Movement Driver Side	○	○	○	●
Power Windows Operation up to 30s after Ignition 'OFF' NEW	○	○	○	●
Adjustable Head Rest on Front Seat	●	●	●	●
Lumbar Support on Driver's Seat- Fixed	●	●	○	○
Lumbar Support on Driver's Seat- 2 Way Adjustable	○	○	●	●
Height Adjustable Driver's Seat	○	○	●	●
Rear Seat with 100% Foldable Back	●	●	●	●
Adjustable Rear Seat Head Restraint	○	○	●	●
Rear Seat Center Armrest	○	○	●	●
Cup Holder on Rear Seat Center Armrest	○	○	●	●
Boot Lamp	●	●	●	●

	NEW AQUA	NEW AURA	NEW AURA (ABS)	NEW ELAN
CAR INFOTAINMENT				
2 DIN Music System with AM/FM/MP3/CD Playback & Audio Equaliser with				
- Audio Controls on Steering Wheel	○	●	●	●
- Blue 5 (Bluetooth Connectivity)	○	○	●	●
- USB (MP3/WMA) Playback	○	●	●	●
- Auxiliary Input	○	●	●	●
- Infrared Remote for Audio	○	●	●	●
- Four Speakers (Front Door:2, Rear Door:2) 2 Tweeters	○	●	○	○
- Four Speakers (Front Door:2, Parcel Shelf:2) 2 Tweeters	○	○	●	●
Driver Information System with				
- Digital Clock	●	●	●	●
- Fuel Consumption, Distance to Empty and Ambient Temperature Indicator	○	●	●	●
INTERIOR				
Full Fabric Seats NEW	●	●	●	●
2 Tone Interior Colour Scheme NEW				
	Ebony Black and Vanilla Beige	Ebony Black and Vanilla Beige	Burgundy and Vanilla Beige	Burgundy and Vanilla Beige
Storage Pockets in Front / Rear Door	●	●	●	●
Storage Tray under Co-driver Seat	●	●	●	●
Bottle Holder on Floor Console	●	●	●	●
Glove Box with Card Holder & Pen Holder	●	●	●	●
Power Outlet in Front	●	●	●	●
Tachometer with Critical Rev. Indicator	●	●	●	●
Illuminating Ring around Keyhole	○	●	●	●
Light Intensity Adjustment for Instrument Cluster	●	●	●	●
Front and Rear Cabin Lights (with Twin Spot Lights)	●	●	●	●
Vanity Mirror on Co-driver's Sunvisor	●	●	●	●
EXTERIOR				
Tinted Door and Tailgate Glass	●	●	●	●
Black Tape on Exterior Sash Area	●	●	●	●
Body Coloured Front and Side Rubrails	●	●	●	●
Body Coloured Outer Door Handles	●	●	●	●
Chrome Strip in Hood	●	●	●	●
Chrome Inserts on Rub rails and Door Handles	○	○	○	●
7 Speed Front Wiper with Smart Wipe	●	●	●	●
Motorised Clear Lens Headlamps	●	●	●	●
Clear Lens Side Indicator Lamps	●	●	●	●
Rear Demister	○	○	○	●
Follow Me Home Headlamps NEW	○	○	○	●
Front Fog Lamps	○	●	●	●
Rear Fog Lamps	○	●	●	●
Chrome Strip around Front Fog Lamps NEW	○	○	○	●
External Roof Antenna	○	○	●	●
15" Wheels with Full Wheel Caps	●	●	●	○
Dual Tone Alloy Wheels NEW	○	○	○	●
Outer Rear View Mirror on Co-driver Side	●	●	●	●
Body Coloured Outer Rear View Mirror	●	●	●	●
Electrically Controlled Outer Rear View Mirror	○	○	○	●
Chrome Bottom Weather Strip NEW	○	○	○	●
Exclusive Tyrian Wine Color NEW	○	○	○	●
SAFETY AND SECURITY				
Collapsible Steering	●	●	●	●
High Mount LED Stop Lamp	●	●	●	●
Child Lock on Rear Doors	●	●	●	●
Immobiliser	●	●	●	●
Central Locking	●	●	●	●
Remote Controlled Keyless Entry	○	●	●	●
Warning Buzzer for Driver Door Open with Key/Headlamp/Taillamp ON	○	●	●	●
Warning for Seat Belt Not Fastened	○	●	●	●
ABS (with EBD)	○	○	●	●
Dual Front SRS Airbags	○	○	○	●
Retractor, Pretensioners & Load Limiters on Front Seat Belts	○	○	○	●

Jet Silver



Dew White



Tyrain Wine



Monarch Red



Sienna Gold



SMS 'MANZA' to 5616161. Toll Free Number: 1800 209 7979.
Tata Motors Passenger Car Business Unit: Head Office- One Forbes, 5th Floor, Dr. V B Gandhi Marg, Mumbai - 400 023.

Accessories shown in the picture and features mentioned in the text may not be part of the standard equipment. The contents are not binding and are subject to change without notice. These are indicative specifications for reference only. Colours may not match the actual colours due to printing limitations. You can avail of the 24+12/24 Month Extended Warranty option.

TATA MOTORS



TATA