



SUPREME LUXURY ABSOLUTE POWER



ALL NEW
INNOVA
CRYSTA | LUXURY
MEETS
POWER



QSERVICE
Quick | Qualified | Quality

UNMATCHED WARRANTY*
3 years / 1,00,000kms
*Conditions Apply

For more information, visit www.toyotainnova.in
You can Talk to Toyota at **1800-425-0001** (BSNL/MTNL Toll Free No.) or **+91-80-66293001** (Direct No.)

Note: Vehicles pictured and specifications detailed in this brochure may vary between models and equipment. Addition of extra features may change figures in this chart. Toyota Kirloskar Motor Pvt. Ltd. reserves the right to alter the details of specifications and equipment without a notice. Actual colour of the vehicle body & upholstery might differ slightly from the images depicted in this brochure. Features are grade specific.

Is your Innova Crysta Dealer



THE ALL NEW INNOVA CRYSTA

The History

A Legacy of Innovation

Executive Chief Engineer's Message

The All New Innova Crysta

Exterior

Interior

Performance

Safety

11 YEARS OF REDEFINING STYLE, SPACE, SAFETY AND COMFORT

The Innova has been India's favourite ever since it hit the road in 2005. That's why it has been awarded **No.1** in Initial Quality Survey (IQS) by J.D. Power Asia Pacific for **11 years** in a row, for best quality in its segment. Now that's not surprising at all when you break new ground in style, space, safety and comfort, year after year.

TRIGGERED BY IMAGINATION FUELLED BY INNOVATION

Toyota believes the best way to predict the future is to **innovate**. It's what distinguishes the Innova from the bevy of other vehicles in the country. For when you choose the Innova, you choose an innovative blend of elegant design, versatile features, superior performance, excellent drivability and world-class safety.

“IT WAS MY MISSION
TO ENSURE THAT
THE NEW INNOVA
WOULD EXCEED
CUSTOMER EXPECTATIONS.”

Hiroki Nakajima
Innova Executive Chief Engineer



“Development of the new Innova required me to understand how aspects of Innova’s desirability were changing. Customers now demand a stylish Innova that is **safer and more efficient**, apart from the high functionality.

It was my mission to ensure that the new Innova would **exceed customer expectations** throughout its model life. So I decided that the new Innova should have two sides; a side that answers the needs of customers who expect the same values as before, and a side that satisfies customers looking for new values.

Innova’s legendary QDR and toughness was taken to a new level. **‘Tougher Than We Can Imagine’** was the slogan of the development team. The new Innova holds the potential to not only satisfy our most loyal customers but also win over new customers.”

FLAWLESS LUXURY



EFFORTLESS POWER





LUXURY MEETS ITS MATCH IN POWER



Inspired by the grandeur and toughness of crystals, Luxury and Power come together in the **All New Innova Crysta**, a shining example of Toyota's philosophy of Quality, Durability and Reliability. Crafted to luxurious perfection, the new Innova is all set to get your hearts racing. A newly developed diesel engine with further evolved low-speed torque also makes it the most powerful vehicle in its class.

The All New Innova Crysta commands a certain powerful presence, thanks to bold exterior silhouettes, an

imposing new grille and muscular wheel arches. What's more, under the hood is a **powerful engine** that performs at will, courtesy the **6 speed automatic** and 5 speed manual gearshifts.

Step inside and the new Innova will leave you speechless with its excellent craftsmanship and glorious attention to luxury. Living room like comfort, ambient mood lighting, exceptional quietness and signature third row comfort means plenty of delightful drives and joyful journeys.

COMMANDING PRESENCE

BOLD DESIGN

The All New Innova Crysta's elegant silhouette and powerful design creates a distinct presence in the city and beyond. Its bold and sophisticated styling, expressed through an aerodynamic posture, evokes an amazing sense of stability on the road.



FIRST IN CLASS



▲ **Elegant New Grille**
with a 3D trapezoidal design for a powerful impression



▲ **Automatic LED Projector Headlamps**
with auto levelling, follow-me-home and LED clearance lamps adds to the innovative appearance



▲ **Sophisticated Alloy Wheels**
for a sharp and sporty look



▲ **Electrically Adjustable & Retracting Chrome Finished ORVM**
with elegant side turn indicator & welcome lamps



▲ **Chrome Window Lining**
for a premium statement



▶ Premium Design Smart Entry Key with blue accents to match interior illumination



▶ Rear Unique Inverted Lights with L-shaped silhouette and aero stabilising fins



▶ Welcome Lamps provide a warm welcome every time you approach the Innova Crysta



▶ Back Door Easy Closer to effortlessly close the back door



▶ Shark Fin Antenna and Integrated Rear Spoiler adds to the overall aerodynamics

FIRST IN CLASS

IMMACULATELY CRAFTED

IMPECCABLY STYLED

The All New Innova Crysta's interior is the perfect blend of refinement and elegance realised through the combination of strength and space. A driver centric flowing dashboard design with unique silver and wood finish ornamentation and living room like comfort brings out a sense of luxury and sophistication.

FIRST IN CLASS



Ambient Illumination gives the cabin a luxurious look and feel



Start & Stop Button for the convenience of starting the car at the touch of a button



User-friendly Touchscreen Audio with navigation and trip information



Sophisticated Steering Wheel leather wrapped with wood finish and a large gripping area with multifunction switches, provides an easy driving experience



3-Dimensional Combination Meter with Large TFT MID with drive information, cost calculator and telephone/navigation display adds to the car's intelligence



Featured Above: Hazel Brown Leather Upholstery

Premium Leather Seats
ergonomically designed for lounge-like comfort, including a 8-way power adjust driver seat



Wood Finish Interior Panels
for a premium and luxurious look



FIRST IN CLASS

Upper Glove Box with Cooling
to keep your beverages cold and refreshing



FIRST IN CLASS

One Touch Tumble Second Row Seat
makes access to the third row seats easy. One touch space-up third row seat makes room for extra storage



FIRST IN CLASS

Rear AC Auto Cooler with Digital Display
for added convenience



FIRST IN CLASS

Easy Slide Front Passenger Seat
to adjust the rear legroom



Foldable Seatback Table with Cup Holder
to place your knick knacks on the go



Smart Phone Holder with USB Port & AUX-In
for staying connected at all times

INTELLIGENT DYNAMICS



ENHANCED EFFICIENCY

The All New Innova Crysta's ample power and smooth drivability makes driving easy while excellent fuel efficiency keeps every drive economical. For the first time, the Innova comes with a choice of 6 speed Automatic Transmission with sequential shift and a 5 speed Manual Transmission.



6 Super ECT with Sequential Shift

6 speed super intelligent electronically controlled automatic transmission that draws out the engine's maximum potential



ECO & POWER Drive Modes

to choose between 2 distinct driving modes. ECO mode for optimum fuel economy and POWER mode for sharper acceleration response

GD Diesel Engine

A newly developed GD engine with further evolved low-speed torque makes it the most powerful engine in its class



Powerful New Diesel Engine

has improved fuel economy performance while torque in the low and medium speed ranges have been considerably increased



Improved Suspension with Pitch & Bounce Control

keeps cabin movement to minimum and maintains smooth ride on rough roads

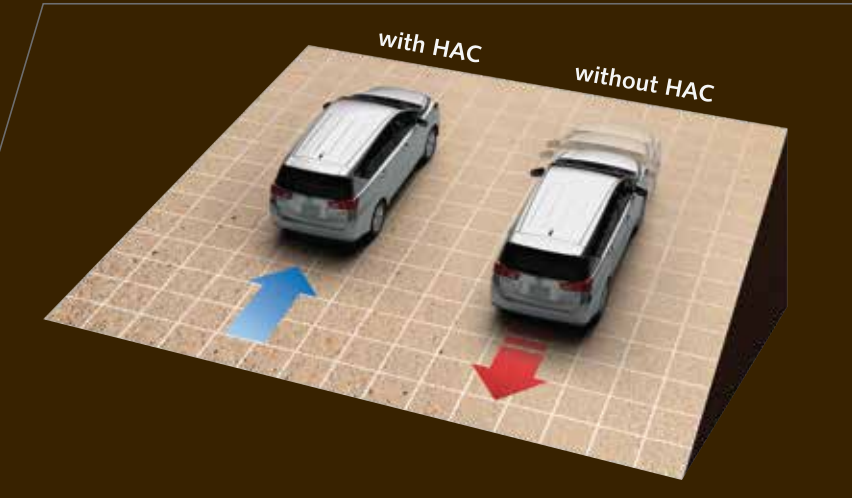
UNCOMPROMISING SAFETY

FIRST IN CLASS: 7 SRS AIRBAGS

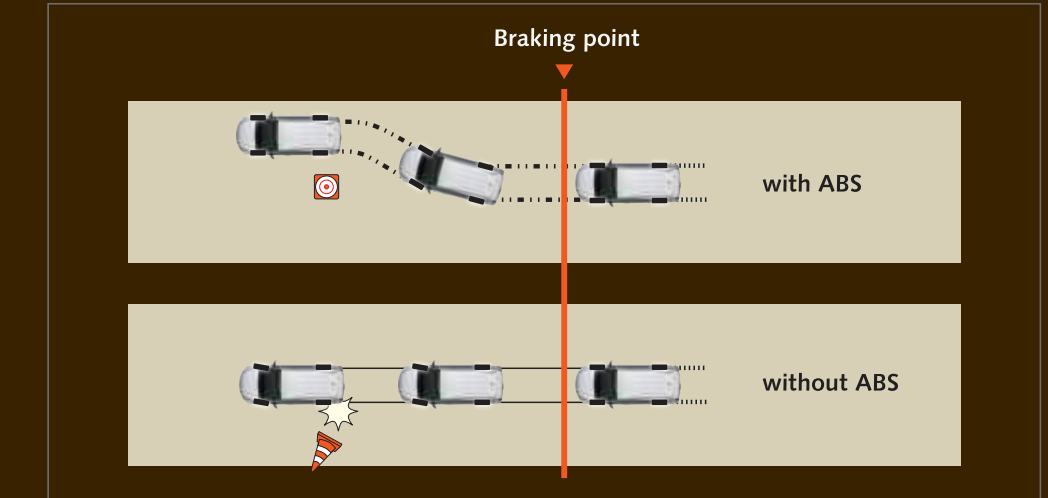


UNMATCHED STANDARDS

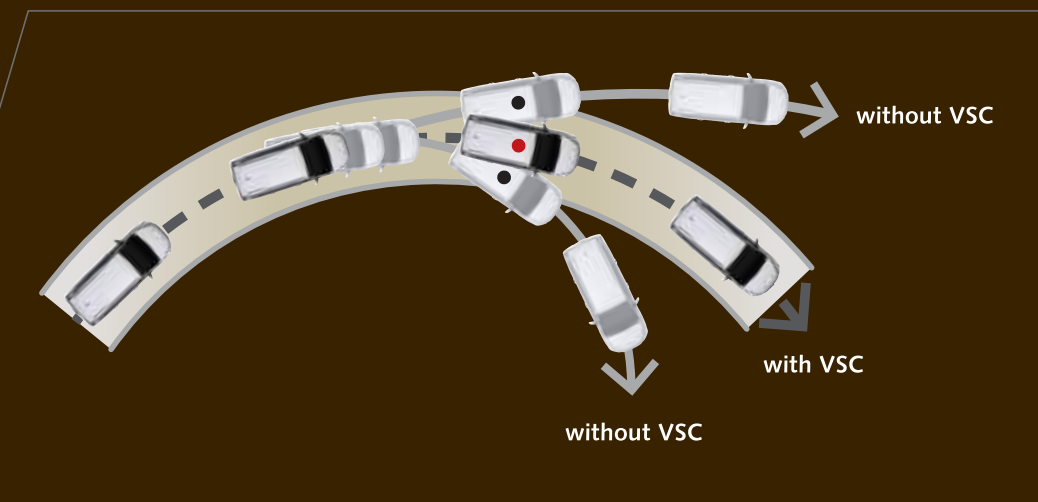
The All New Innova Crysta gets enhanced with new age safety features like 7 SRS Airbags, 3 Point Seatbelt for all passengers, Height Adjustable Front Seatbelt with Pretensioner and Force Limiter, Anti-lock Braking System, Electronic Brake-force Distribution, Brake Assist, Hill-start Assist Control, Vehicle Stability Control, GOA Body and other safety features thus making it a safe haven on wheels.



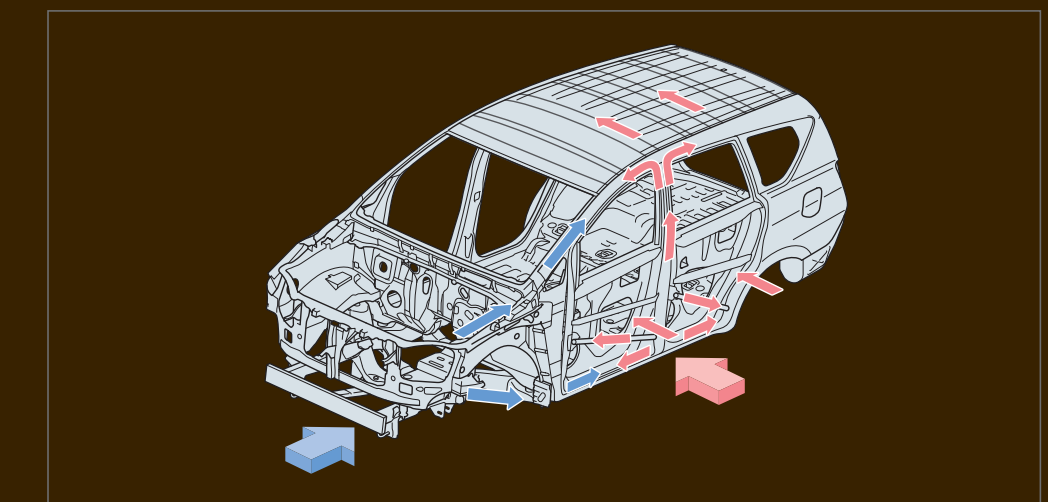
Hill-start Assist Control
automatically controls the brakes suppressing vehicle rollback when starting off on a slope, reducing the burden on the driver



Anti-lock Braking System
prevents wheels from locking and enables greater maneuverability and steering control



Vehicle Stability Control
automatically controls both vehicle brakes and engine output during over steer or under steer while the vehicle is making a turn. This ensures vehicle stability



GOA Body
is a high strength body structure that effectively absorbs impacts and distributes it evenly during unforeseen collisions, thereby reducing passenger and pedestrian injuries

ALLURING ACCESSORIES

Authentic Toyota accessories to spruce up your Innova



Lower Grille Garnish makes an attractive first impression

Side Moulding Chrome* adds character to your vehicle and protects the doors

Side Visor with Chrome allows you to leave the window slightly open when its raining



Roof Ornament enhances overall stance of the car

Tail Lamp Chrome Garnish & Back Door Garnish highlights the rear profile of the car

Rear Bike Protector protects rear bumper and side of car

Chrome Door Housing gives the car an inviting entry

VIBRANT COLOUR CHOICES



GARNET RED



AVANT-GARDE BRONZE



WHITE PEARL CRYSTAL SHINE



GREY



SILVER



SUPER WHITE

*Please check the availability of the accessory with the dealer.

SPECIFICATIONS

GRADE	G	G	V	Z	Z
SEATING CAPACITY	X -	X AUTOMATIC	X -	X -	X AUTOMATIC
	7 / 8 SEATER	7 / 8 SEATER	7 / 8 SEATER	7 SEATER	7 SEATER
DIMENSIONS					
OVERALL LENGTH				4.735 m	
OVERALL WIDTH				1.830 m	
OVERALL HEIGHT				1.795 m	
WHEELBASE				2.750 m	
TREAD FRONT/REAR	1,540 m / 1,540 m			1,530 m / 1,530 m	
MIN. TURNING RADIUS				5.4 m	
FUEL TANK CAPACITY				55 l	
WEIGHT					
MAX. KERB WEIGHT	7 SEATER: 1805 kg 8 SEATER: 1810 kg	7 SEATER: 1820 kg 8 SEATER: 1825 kg	7 SEATER: 1815 kg 8 SEATER: 1820 kg	7 SEATER: 1855 kg	7 SEATER: 1870 kg
GROSS WEIGHT	7 SEATER: 2430 kg 8 SEATER: 2460 kg	7 SEATER: 2450 kg 8 SEATER: 2480 kg	7 SEATER: 2430 kg 8 SEATER: 2460 kg	7 SEATER: 2430 kg	7 SEATER: 2450 kg
ENGINE, TRANSMISSION & CHASSIS					
TYPE	BSIV: 2GD-FTV, DIESEL WITH INTERCOOLER, VARIABLE NOZZLE TURBOCHARGER, 4-INLINE CYLINDER, DOHC 16 VALVE, COMMON RAIL	BSIV: 1GD-FTV, DIESEL WITH INTERCOOLER, VARIABLE NOZZLE TURBOCHARGER, 4-INLINE CYLINDER, DOHC 16 VALVE, COMMON RAIL	BSIV: 2GD-FTV, DIESEL WITH INTERCOOLER, VARIABLE NOZZLE TURBOCHARGER, 4-INLINE CYLINDER, DOHC 16 VALVE, COMMON RAIL	BSIV: 1GD-FTV, DIESEL WITH INTERCOOLER, VARIABLE NOZZLE TURBOCHARGER, 4-INLINE CYLINDER, DOHC 16 VALVE, COMMON RAIL	
DISPLACEMENT	2,393 cm ³ (cc)	2,755 cm ³ (cc)	2,393 cm ³ (cc)	2,755 cm ³ (cc)	
DRIVE MODES	ECO & POWER MODE				
MAX. OUTPUT	110kW (150PS) @ 3400 rpm	128kW (174PS) @ 3400 rpm	110kW (150PS) @ 3400 rpm	128kW (174PS) @ 3400 rpm	
MAX. TORQUE	343Nm (35.0 kg-m) @ 1400 - 2800 rpm	360Nm (36.7 kg-m) @ 1200 - 3400 rpm	343Nm (35.0 kg-m) @ 1400 - 2800 rpm	360Nm (36.7 kg-m) @ 1200 - 3400 rpm	
TRANSMISSION	5 SPEED MANUAL	6 SPEED AUTOMATIC WITH SEQUENTIAL SHIFT	5 SPEED MANUAL	6 SPEED AUTOMATIC WITH SEQUENTIAL SHIFT	
SUSPENSION FRONT / REAR	DOUBLE WISHBONE WITH TORSION BAR / 4-LINK WITH COIL SPRING				
PITCH & BOUNCE CONTROL	✓			✓	
BRAKES FRONT / REAR	DISC / LEADING-TRAILING DRUM			DISC / LEADING-TRAILING DRUM	
TYRES	205 / 65 R16 WITH ALLOY WHEEL				
EXTERIOR					
RADIATOR GRILLE	GREY & SILVER		BLACK & CHROME-FINISH		
HEADLAMP	MULTIREFLECTOR		AUTOMATIC LED PROJECTOR, HALOGEN WITH LED CLEARANCE LAMP		
HEADLAMP LEVELLING	MANUAL		AUTOMATIC		
FRONT FOG LAMP	x	x	✓	✓	
OUTSIDE REAR VIEW MIRROR	BODY COLOURED, ELECTRIC ADJUST WITH SIDE TURN INDICATORS		CHROME, ELECTRIC ADJUST & RETRACT, WELCOME LIGHTS WITH SIDE TURN INDICATORS		
DOOR BELT ORNAMENT	x	x	WITH CHROME-FINISH		
ANTENNA	SHARK FIN TYPE				
BLACK-OUT DOOR FRAME	✓	✓	✓	✓	
DOOR OUTSIDE HANDLE	BODY COLOUR				
REAR SPOILER	INTEGRATED TYPE WITH LED HIGH MOUNT STOP LAMP				
FRONT WIPER	INTERMITTENT & MIST				
REAR WINDOW WIPER	✓	✓	✓	✓	
REAR WINDOW DEFOGGER	✓	✓	✓	✓	
INTERIOR					
INDIRECT BLUE AMBIENT ILLUMINATION	x	x	✓	✓	
INSTRUMENT PANEL	WITH BLACK LINE DECORATION		WITH SILVER LINE DECORATION & RED WOOD-FINISH ORNAMENT		
STEERING WHEEL	URETHANE WITH SILVER ORNAMENT		LEATHER WRAP WITH SILVER & RED WOOD-FINISH ORNAMENT		
SPEEDOMETER	WITH MULTI INFORMATION DISPLAY				
MULTI INFORMATION DISPLAY (MID)	DOT TYPE MID WITH DRIVE INFORMATION (FUEL CONSUMPTION, CRUISING RANGE, AVERAGE SPEED, ELAPSED TIME, ECO INDICATOR), OUTSIDE TEMPERATURE	DOT TYPE MID WITH DRIVE INFORMATION (FUEL CONSUMPTION, CRUISING RANGE, AVERAGE SPEED, ELAPSED TIME, ECO INDICATOR), OUTSIDE TEMPERATURE, SHIFT POSITION INDICATOR	TFT MID WITH DRIVE INFORMATION (FUEL CONSUMPTION, CRUISING RANGE, AVERAGE SPEED, ELAPSED TIME, ECO DRIVE INDICATOR & ECO SCORE, ECO WALLET), OUTSIDE TEMPERATURE, AUDIO DISPLAY, PHONE CALLER DISPLAY, WARNING MESSAGE	TFT MID WITH DRIVE INFORMATION (FUEL CONSUMPTION, CRUISING RANGE, AVERAGE SPEED, ELAPSED TIME, ECO DRIVE INDICATOR & ECO SCORE, ECO WALLET, CRUISE CONTROL DISPLAY), OUTSIDE TEMPERATURE, NAVIGATION DISPLAY, AUDIO DISPLAY, PHONE CALLER DISPLAY, WARNING MESSAGE	TFT MID WITH DRIVE INFORMATION (FUEL CONSUMPTION, CRUISING RANGE, AVERAGE SPEED, ELAPSED TIME, ECO DRIVE INDICATOR & ECO SCORE, ECO WALLET, CRUISE CONTROL DISPLAY), OUTSIDE TEMPERATURE, NAVIGATION DISPLAY, AUDIO DISPLAY, PHONE CALLER DISPLAY, WARNING MESSAGE, SHIFT POSITION INDICATOR
ECONOMY METER	ECO LAMP WITH ZONE DISPLAY				
ROOM LAMP	✓	✓	WITH REAR PERSONAL LIGHTS		
FRONT PERSONAL LAMP	WITH SUNGLASS HOLDER				
ILLUMINATED ENTRY SYSTEM	IGNITION KEY & ROOM LAMP		ALL ROOM LAMPS		
SHIFT LEVER KNOB	URETHANE		LEATHER WRAP WITH CHROME ORNAMENT		
DOOR INSIDE HANDLE	CHROME				
DOOR INNER GARNISH	MATERIAL COLOUR				
GLOVE BOX	COOLED UPPER GLOVE BOX, LOCKABLE & DAMPED LOWER GLOVE BOX		COOLED UPPER GLOVE BOX, LOCKABLE & DAMPED LOWER GLOVE BOX WITH ILLUMINATION		
CONSOLE BOX	WITH LID		WITH SOFT LID	WITH SOFT LID & HAZEL BROWN WOOD-FINISH ORNAMENT	
PARKING BRAKE CHROME ORNAMENT	x	x	✓	✓	

GRADE	G	G	V	Z	Z
	X	X	X	X	X
	-	AUTOMATIC	-	-	AUTOMATIC
SEATING CAPACITY	7 / 8 SEATER	7 / 8 SEATER	7 / 8 SEATER	7 SEATER	7 SEATER
INTERIOR (CONT.)					
SUN VISOR	PVC			FABRIC WITH MIRROR, LID AND LAMP	
ASSIST GRIP	FRONT x 1, REAR x 4 (RETRACTABLE)			FRONT x 2, REAR x 4 (RETRACTABLE)	
LUGGAGE ROOM LAMP	✓	✓	✓	✓	✓
SEATS, COMFORT & CONVENIENCE					
AIR CONDITIONER	MANUAL CONTROL		AUTOMATIC CLIMATE CONTROL WITH COOL START AND REGISTER ORNAMENT		
REAR AIR CONDITIONER (2 ND & 3 RD ROW)	MANUAL CONTROL		AUTOMATIC CONTROL		
FRONT SEAT	SEPARATE SEATS WITH SLIDE & RECLINE		SEPARATE SEATS WITH SLIDE & RECLINE, DRIVER SEAT HEIGHT ADJUST		
8-WAY POWER ADJUST DRIVER SEAT	x	x	x		✓
PASSENGER SEAT EASY SLIDE	x	x	x	✓	✓
2 ND ROW SEAT (8 SEATER)	60:40 SPLIT SEAT WITH SLIDE & ONE-TOUCH TUMBLE			-	-
2 ND ROW SEAT (7 SEATER)				CAPTAIN SEATS WITH SLIDE & ONE-TOUCH TUMBLE	
3 RD ROW SEAT				50:50 SPLIT SEAT WITH ONE-TOUCH EASY SPACE-UP	
REAR SEAT RECLINE	2 ND & 3 RD ROW	2 ND & 3 RD ROW	2 ND & 3 RD ROW	2 ND & 3 RD ROW	2 ND & 3 RD ROW
2 ND ROW ARMREST	7 SEATER ONLY		✓	✓	✓
REAR HEADRESTS	HEIGHT ADJUSTABLE FOR ALL PASSENGERS				
SEAT COVER MATERIAL	BLACK FABRIC		PREMIUM BLACK FABRIC	BLACK LEATHER*	HAZEL BROWN LEATHER*
AUDIO	x	x	DISPLAY AUDIO, CAPACITIVE TOUCH SCREEN, FLICK & DRAG FUNCTION, DVD, BLUETOOTH, REMOTE		
NAVIGATION	x	x	x		✓
SPEAKERS	4 Nos	4 Nos	6 Nos	6 Nos	6 Nos
AUDIO JACK	x	x	WITH USB & AUX-IN		
SMART ENTRY SYSTEM	x	x	✓	✓	✓
WIRELESS DOOR LOCK	WITH JACK-KNIFE KEY		WITH SMART ENTRY KEY & PUSH START / STOP BUTTON		
SPEED SENSING DOOR LOCK	x	x	x	WITH SPEED SENSING AUTO LOCK AND DOOR CONTROL BATTERY	
POWER DOOR LOCK	✓	✓	✓	✓	✓
EASY CLOSER BACK DOOR	x	x	✓	✓	✓
CRUISE CONTROL	x	x	x	✓	✓
SEAT BACK POCKET	WITH SHOPPING HOOK				
SEAT BACK TABLE	x	x	✓	WITH RED WOOD-FINISH ORNAMENT	WITH HAZEL BROWN WOOD-FINISH ORNAMENT
TILT & TELESCOPIC STEERING COLUMN	✓	✓	✓	✓	✓
POWER STEERING	✓	✓	✓	✓	✓
STEERING MULTI-FUNCTION SWITCH	MULTI INFORMATION DISPLAY		AUDIO, TELEPHONE, MULTI INFORMATION DISPLAY		AUDIO, TELEPHONE, VOICE RECOGNITION, MULTI INFORMATION DISPLAY
POWER WINDOW	WITH AUTO UP / DOWN AT DRIVER WINDOW		WITH AUTO UP / DOWN ON ALL WINDOWS		
JAM PROTECTION ON POWER WINDOW	JAM PROTECTION ON DRIVER WINDOW		JAM PROTECTION ON ALL WINDOWS		
DOOR COURTESY LAMP	x	x	✓	✓	✓
DRIVER FOOT REST	✓	✓	✓	✓	✓
ACCESSORY CONNECTOR 12V DC	2 Nos	2 Nos	2 Nos	2 Nos	2 Nos
FUEL LEVEL, LIGHT REMIND, KEY REMIND WARNING	✓	✓	✓	✓	✓
MICROPHONE & AMPLIFIER	x	x	✓	✓	✓
SAFETY & SECURITY					
SRS AIRBAG	DRIVER, FRONT PASSENGER & DRIVER KNEE AIRBAGS (3 Nos)			DRIVER, FRONT PASSENGER, DRIVER KNEE, FRONT SIDE, CURTAIN SHIELD AIRBAGS (7 Nos)	
ABS WITH EBD & BA	✓	✓	✓	✓	✓
VEHICLE STABILITY CONTROL	x	x	x	✓	✓
HILL START ASSIST CONTROL	x	x	x	✓	✓
GOA BODY	✓	✓	✓	✓	✓
FRONT SEAT BELT	3 POINT ELR WITH PRETENSIONER & FORCE LIMITER, HEIGHT ADJUSTABLE				
REAR SEAT BELTS	3 POINT ELR SEATBELTS FOR ALL PASSENGERS				
CHILD RESTRAINT SYSTEM	ISOFIX x 2 & TETHER ANCHOR				
BACK MONITOR	x	x	✓	✓	✓
CLEARANCE & BACK SONAR	✓	✓	✓	✓	✓
CLUTCH START SYSTEM	✓	x	✓	✓	x
SEAT BELT WARNING	✓	✓	✓	✓	✓
DOOR AJAR WARNING	✓	✓	✓	WITH EACH DOOR DISPLAY	
IMMOBILIZER	✓	✓	✓	✓	✓
COLOURS					
GARNET RED	✓	✓	✓	✓	✓
WHITE PEARL CRYSTAL SHINE	x	x	✓	✓	✓
AVANT-GARDE BRONZE	✓	✓	✓	✓	✓
SILVER	✓	✓	✓	✓	✓
GREY	✓	✓	✓	✓	✓
SUPER WHITE	✓	✓	✓	✓	✓

*Mix of Genuine and Synthetic Leather. *Grade E & G are made to order.